

Please read and save these instructions. Read carefully before attempting to assemble, install, operate or maintain the product described. Protect yourself and others by observing all safety information. Failure to comply with instructions could result in personal injury and/or property damage! Retain instructions for future reference.

WAYNE® Self-Priming Portable Utility Pump

Description

This self-priming portable utility pump is designed to be used as a transfer pump for such applications as emptying water heaters, swimming pools, live-stock tanks, boats, etc. Pump can also be used for an intermittent pressure boost for applications such as washing cars, cleaning driveways, etc. The motor is air cooled; it is **not** designed to operate under water.

NOTE: This pump is not intended for permanent installation or long, extended periods of continuous operation.

Safety Guidelines

This manual contains information that is very important to know and understand. This information is provided for SAFETY and to PREVENT EQUIPMENT PROBLEMS. To help recognize this information, observe the following symbols.

▲ DANGER Danger indicates an imminently hazardous situation which, if not avoided, will result in death or serious injury.

▲ WARNING Warning indicates a potentially hazardous situation which, if not avoided, could result in death or serious injury.

▲ CAUTION Caution indicates a potentially hazardous situation which, if not avoided, may result in minor or moderate injury.

Specifications

MotorSingle Phase - 115V, 60 Hz, 8,000 RPMHorsepower1/2 HP
MotorSeries Wound (brush type) AC/DC OperationInlet/Outlet Openings3/4" NPT
ImpellerSANPump HousingCast iron
Motor HousingCast ironMotor ShaftCold rolled steel
Shaft and Volute SealBuna-NMotor BearingsPermanently lubricated
Maximum Fluid Temperature120°F		

REMINDER: Keep your dated proof of purchase for warranty purposes! Attach it to this manual or file it for safekeeping.

NOTICE Notice indicates important information, that if not followed, may cause damage to equipment.

General Safety Information

▲ DANGER Do not submerge motor or allow motor to be exposed to water. Personal injury and/or death could result.

▲ DANGER Do not use to pump flammable or explosive fluids such as gasoline, fuel oil, kerosene, etc. Do not use in a flammable and/or explosive atmosphere. Pump should only be used to pump clear water. Personal injury and/or death could result.



▲ WARNING Risk of electrical shock. All wiring must be performed by a qualified electrician.

▲ DANGER Do not walk on wet areas until all power is turned off. Failure to follow this warning could result in fatal electrical shock.



1. Read all instructions before operation.
2. Disconnect power and release all pressure within the system before servicing any component.

3. Drain all liquids from system before servicing.

▲ WARNING Secure the discharge line before starting the pump. An unsecured discharge line may whip. Personal injury and/or property damage could result.

4. Periodically inspect pump and system components, checking for weak and/or worn hoses. Insure all connections are secure.
5. Provide a means of pressure relief in the case of an obstructed discharge line.
6. Protect electrical cord from sharp objects, hot surfaces, oil and chemicals. Avoid kinking the cord and replace damaged cords immediately.

Installation

▲ DANGER Always disconnect power source before attempting to install, service, or maintain the pump. Never handle a pump with wet hands or when standing on wet or damp surface or in water. Fatal electrical shock could occur.



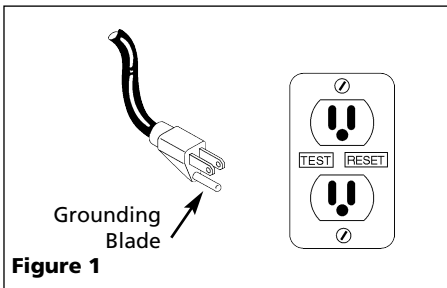
1. A ground fault circuit interrupter (GFCI) is required.

▲ DANGER Risk of electrical shock! This pump is supplied with a grounding conduc



Installation (Continued)

tor and grounding type attachment plug. A grounded receptacle in conformance with current NEC and local codes must be used (See Figure 1).



2. This pump operates on 115V, 60 Hz AC, single phase or 115V DC.
3. Use an extension cord only if necessary. Follow the Extension Cord Length Table for proper gage of 3-wire, grounding type extension cord.

▲ DANGER

Risk of fatal electrical shock. Never cut off the round grounding prong. Cutting the cord or plug will void the warranty and make the pump inoperable.



4. Figure 2 shows a typical installation. Threaded adapters are furnished for attaching garden hose where conditions permit its use. In no case should the pump be more than 15 feet above or away from inlet source. Install a foot valve and when suction lift is over 10 feet or when suction line is over 10 feet.
5. The inlet line may be galvanized pipe, plastic pipe, or reinforced hose. Small leaks in suction line

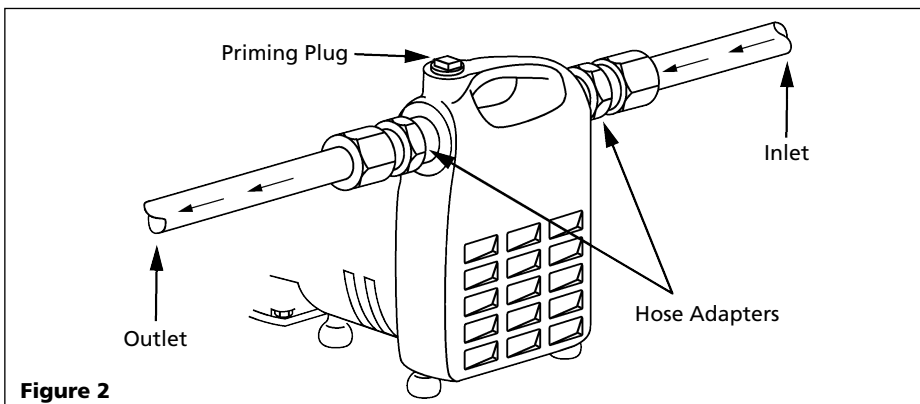


Figure 2

EXTENSION CORD LENGTH TABLE

Wire Size	#18	#16	#14	#12
Length	25 ft	50 ft	100 ft	150 ft

greatly reduce efficiency of pump and may prevent priming.

NOTICE Ordinary garden hose will collapse under suction pressure and should not be used in the inlet but for pressure boosting only.

6. Use a strainer when pumping from a creek, pond, or source where foreign objects may be sucked into the pump. The strainer should prevent solids from entering the inlet line.
7. A regular garden hose may be used as a discharge line.

Operation

NOTICE Pump must be filled with water before operation. Running the pump dry will cause damage to the shaft seal.

1. This unit is **not** waterproof or weatherproof and is **not** intended to be used in showers, saunas, or other potentially wet locations. The motor is designed to be used in a clean, dry location with access to adequate cooling air. Ambient temperatures around the motor should not exceed 104°F (40°C).
2. Remove priming plug and fill with water. Close plug
3. Plug power cord into GFCI protected electrical outlet. The pump will prime in a few minutes depending on suction line length. Use of foot valve on suction line is recommended.

4. In the case of pressure boosting, turn water on before starting pump. This force primes the pump. Then, plug power cord into GFCI protected electrical outlet.
5. Unplug cord to turn unit off.

Maintenance

▲ WARNING Let pump cool for at least 20 minutes before attempting to service. Motor may be extremely hot. Personal injury may result.

1. Pump should be checked periodically for proper operation.

▲ DANGER Always disconnect the electrical supply before attempting to install, service, or perform any maintenance. If the power source is out of sight, lock and tag in the open (off) position to prevent unexpected power application. Failure to do so could result in fatal electrical shock. Only qualified electricians should repair this unit. Improper repair could result in fatal electrical shock.

BRUSH REPLACEMENT

NOTICE Brushes for this pump should be inspected after 100 hours of operation.

Pumps with excess of 100 hours of operation may stop operating or fail to start. This could be due to worn brushes or carbon build-up. The brushes should be removed and carbon removed. Worn brushes are not covered under warranty. Replacement brushes may be available from Wayne Pumps. Call 1-800-237-0987 to order.

- 1) Disconnect electrical cord from power supply.
- 2) Remove brush caps with screwdriver.
- 3) Remove old brush assembly.
- 4) Insert new brush assembly.
- 5) Replace brush caps.

For other problems, consult troubleshooting chart.

Maintenance (Continued)

ADDITIONAL REPAIRS

To replace bearings, shaft seal, gaskets, rotor, follow the instructions listed below.

1. Disconnect electrical cord from power supply.
2. Relieve pressure in system.
3. Disconnect inlet and outlet lines.
4. Empty water from pump housing.
5. Place pump on bench with motor end up and remove brushes as described in **BRUSH REPLACEMENT** instructions. If brushes are to be reused, mark the location from which each came. Replace brushes in original orientation upon completion of repair.
6. Remove the four cap screws holding motor housing and pump housing together. Motor housing is now free and can be removed. Take care not to lose commutator bearing finger spring.
7. With a screwdriver, pry the rotor-backhead assembly out of the pump housing.
8. Remove the impeller by turning counter clockwise (righthand thread on shaft). Save any washers which were between impeller hub and shaft.
9. Remove backhead (the bearing is press fit into the backhead).
10. Place backhead on flat surface with impeller side down and press out shaft seal.
11. Place impeller on flat surface with vane side down and with screwdriver and hammer break ceramic seal ring into several pieces and remove. Next, remove rubber seal ring cup from impeller.
12. Remove bearings from armature shaft (press-fit on shaft).
13. Inspect the armature commutator bars. The environment in which the unit has been operating will have influence on the condition of the commutator. Airborne dust and dirt will accelerate wear. A rough or scarred appearance may dictate having commutator reconditioned before reassembly.
14. To reassemble, install new bearings on the shaft. Always press against the inner race to prevent bearing damage. Make sure bearings are tight against the shaft shoulders.
15. Press shaft seal into backhead. When pressing shaft seal into place, apply force to the cup flange. Avoid touching the polished seal surface; oil or scratches on this surface may cause premature failure of the seal.
16. Press ceramic side of seal into impeller, ceramic side out. Avoid touching ceramic with hands as oil may cause premature failure of the seal. Wipe oil off both sides of seal with a soft, lint-free cloth.
17. Reassemble unit in reverse order, beginning with step 9.
18. After reassembly check shaft for free rotation with screwdriver in fan through air exit openings.

Troubleshooting Chart

Symptom	Possible Cause(s)	Corrective Action
Pump will not start or run	<ol style="list-style-type: none"> 1. Blown fuse 2. Low line voltage 3. Worn brushes 4. Impeller blocked 5. Defective motor 	<ol style="list-style-type: none"> 1. If blown, replace with proper sized fuse or reset breaker 2. If voltage is under 108 volts, check wiring size 3. Replace brushes 4. Remove blockage 5. Replace motor or pump
Pump will not prime or retain prime after operating	<ol style="list-style-type: none"> 1. Air leak in suction line 2. Impeller blocked 3. Worn seal 4. Suction lift too high 5. Hose kinked or looped 6. Fittings not tight 7. Suction hose out of water 8. Clogged inlet 	<ol style="list-style-type: none"> 1. Repair or replace suction line 2. Remove blockage 3. Replace seal 4. Lower pump 5. Straighten hose 6. Tighten fittings 7. Submerge suction hose end 8. Clean inlet
Flow rate is too low	<ol style="list-style-type: none"> 1. Piping or hose is fouled or damaged 2. Low line voltage 	<ol style="list-style-type: none"> 1. Clean or replace 2. If voltage is under 108 volts, check wiring size
Seal leaks	<ol style="list-style-type: none"> 1. Worn seal 2. Shaft grooved 3. Pump head loose on motor 	<ol style="list-style-type: none"> 1. Replace seal 2. Replace rotor 3. Insure proper assembly and no obstruction, tighten bolts

For Replacement Parts, call 1-800-237-0987

Ref. No.	Description	Part Number	Quantity
1	Brush kit	62007-002	1
2	Brush holder kit	62008-002	1
3	Fittings kit	62009-001	1
4	Impeller and seal kit	62010-001	1
5	Bearing kit	62011-002	1
6	Cord kit	62012-001	1
7	Volute kit	62013-001	1
8	Rotor kit	62014-002	1
9	Backhead kit	62026-001	1

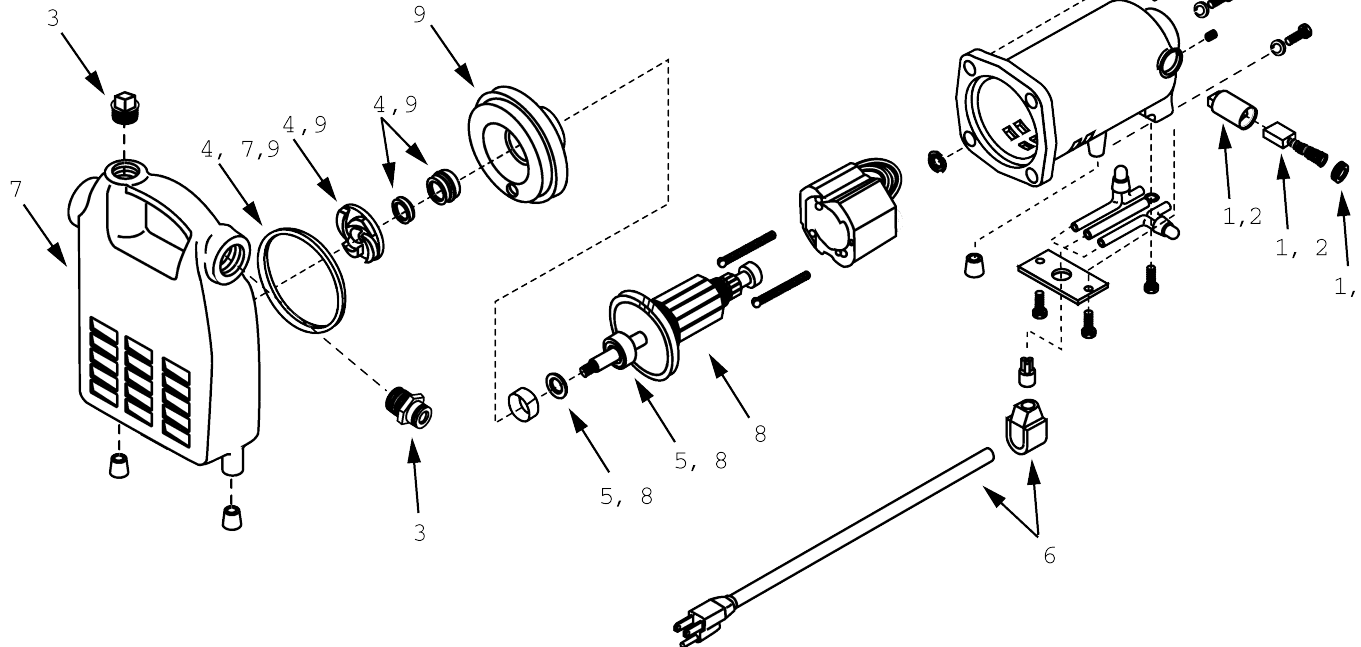
Please provide following information:

- Model number
- Serial number (if any)
- Part description and number as shown in parts list

Address parts correspondence to:

Wayne Home Equipment
100 Production Drive
Harrison, OH 45030 U.S.A.

Note: Replacement parts are available in kit form only



Limited Warranty

For one year from the date of purchase, Wayne Home Equipment ("Wayne") will repair or replace, at its option, for the original purchaser any part or parts of its Sump Pumps or Water Pumps ("Product") found upon examination by Wayne to be defective in materials or workmanship. Please call Wayne (800-237-0987) for instructions or see your dealer. Be prepared to provide the model number when exercising this warranty. All transportation charges on Products or parts submitted for repair or replacement must be paid by purchaser.

This Limited Warranty does not cover Products which have been damaged as a result of accident, abuse, misuse, neglect, improper installation, improper maintenance, or failure to operate in accordance with Wayne's written instructions.

THERE IS NO OTHER EXPRESS WARRANTY. IMPLIED WARRANTIES, INCLUDING THOSE OF MERCHANTABILITY AND FITNESS FOR A PARTICULAR PURPOSE, ARE LIMITED TO ONE YEAR FROM THE DATE OF PURCHASE. THIS IS THE EXCLUSIVE REMEDY AND ANY LIABILITY FOR ANY AND ALL INDIRECT OR CONSEQUENTIAL DAMAGES OR EXPENSES WHATSOEVER IS EXCLUDED.

Some states do not allow limitations on how long an implied warranty lasts, or do not allow the exclusions or limitations of incidental or consequential damages, so the above limitations might not apply to you. This limited warranty gives you specific legal rights, and you may also have other legal rights which vary from state to state.

In no event, whether as a result of breach of contract warranty, tort (including negligence) or otherwise, shall Wayne or its suppliers be liable for any special, consequential, incidental or penal damages including, but not limited to loss of profit or revenues, loss of use of the products or any associated equipment, damage to associated equipment, cost of capital, cost of substitute products, facilities, services or replacement power, downtime costs, or claims of buyer's customers for such damages.

You **MUST** retain your purchase receipt along with this form. In the event you need to exercise a warranty claim, you **MUST** send a **copy** of the purchase receipt along with the material or correspondence. Please call Wayne (800-237-0987) for return authorization and instructions.

DO NOT MAIL THIS FORM TO WAYNE. Use this form only to maintain your records.

MODEL NO. _____ SERIAL NO. _____ INSTALLATION DATE _____

ATTACH YOUR RECEIPT HERE

S'il vous plaît lire et conserver ces instructions. Lire attentivement avant de monter, installer, utiliser ou de procéder à l'entretien du produit décrit. Se protéger ainsi que les autres en observant toutes les instructions de sécurité, sinon, il y a risque de blessure et/ou dégâts matériels! Conserver ces instructions comme référence.



Pompe à Auto-Amorçage Portative, Tout Usage

Description

La pompe à auto-amorçage tout usage est conçue pour être utilisée comme pompe de transfert pour les applications tels que vider les chauffe-eau, les piscines, les réservoirs pour bétail, bateaux, etc. La pompe peut aussi être utilisée pour élever la pression d'une façon intermittente pour des applications tels que le lavage d'autos et le nettoyage d'entrées, etc. Le moteur est refroidi à l'air, il n'est pas conçu pour fonctionner sous l'eau.

NOTE: Cette pompe n'est pas conçue pour une installation permanente ou pour des périodes continues de travail long et prolongé.

Directives de Sécurité

Ce manuel contient de l'information très importante qui est fournie pour la SÉCURITÉ et pour ÉVITER LES PROBLÈMES D'ÉQUIPEMENT. Rechercher les symboles suivants pour cette information.



Danger indique

une situation hasardeuse imminente qui RÉSULTERA en perte de vie ou blessures graves.



Avertissement

indique une situation hasardeuse potentielle qui PEUT résulter en perte de vie ou blessures graves.



Attention indique

une situation hasardeuse potentielle qui PEUT résulter en blessures.

Spécifications

Moteur Monophasé - 115V, 60 Hz, 8,000 tr/min	Horsepower 1/2 HP
Moteur	... Moteur En Série (ype balai) Fonctionnement c.a./c.c.	Ouvertures Arrivée/Sortie 3/4 po NPT
Turbine SAN	Carter de Pompe Fonte
Carter de Moteur Fonte	Arbre du Moteur Acier laminé à froid
Arbre et Joint de Volute Buna-N	Palier du Moteur Graissé en permanence
Température Max. de Fluide 49°C		

AVIS

Avis indique

l'information importante pour éviter le dommage de l'équipement.

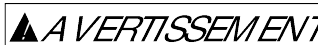
Généralités sur la Sécurité



Ne pas submerger le moteur ni permettre que le moteur soit exposé à l'eau. Ceci peut causer des blessures personnelles et/ou perte de vie.



Ne pas pomper les fluides explosifs tels que l'essence, l'huile à chauffage, le kérosène etc. Ne pas utiliser dans un atmosphère inflammable et/ou explosif. La pompe devrait être utilisée pour le pompage de l'eau claire seulement, sinon, il y a risque de blessures personnelles et/ou dégâts matériels.

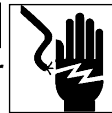


Risque de secousse électrique.

Toute installation de fils doit être effectuée par un électricien qualifié.



Ne pas marcher sur un plancher trempé avant de couper l'électricité. Manque de suivre cet avertissement peut résulter en secousse électrique mortelle.



1. Lire toutes les instructions avant de faire fonctionner le modèle.
2. Débrancher la source de puissance et dissiper toute la pression du système

avant de procéder à l'entretien de n'importe quelle pièce détachée.

3. Purger tout le liquide du système avant de procéder à l'entretien.



Bien fixer la ligne de décharge avant de mettre la pompe en marche. Une ligne de décharge qui n'est pas fixée peut s'enlever brusquement causant des blessures personnelles ou des dégâts matériels.

4. Inspecter la pompe et les pièces détachées de temps en temps pour rechercher des tuyaux faibles et usés. S'assurer que toutes les connexions soient sûrs.
5. Fournir un moyen de dissiper la pression dans le cas d'une ligne de décharge obstruée.
6. Protéger le cordon d'alimentation des objets pointus, surfaces chaudes, d'huile et de produits chimiques. Ne pas tortiller le cordon et remplacer les cordons endommagés immédiatement.

Installation



Toujours débrancher la source de puissance avant essayer d'installer, de procéder à l'entretien, ou réparer la pompe. Ne jamais toucher la pompe avec des mains trempées ni lorsque vous êtes debout sur une surface trempée ou humide ni dans l'eau. Sinon, vous risquez la secousse électrique mortelle.



1. Un interrupteur DDFT est exigé.

MÉMENTO: Gardez votre preuve datée d'achat à fin de la garantie!
 Joignez-la à ce manuel ou classez-la dans un dossier pour plus de sécurité.

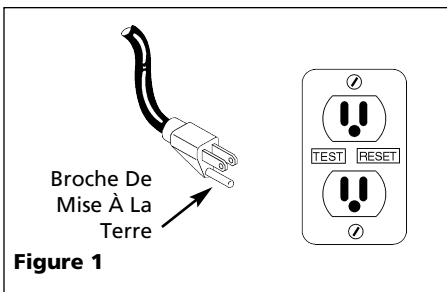
Installation (suite)

▲ DANGER

Risque de secousse électrique mortelle! Cette pompe est fournie d'un fil de terre et d'une borne de terre. Une prise de courant qui se conforme aux codes NEC et locaux doit être utilisée (Voir Figure 1).



2. Cette pompe fonctionne sur un circuit de 115V, 60 Hz c.a., monophasé ou 115Vc.c.
3. Utiliser un cordon prolongateur seulement si nécessaire. Consulter le Tableau de Longueur De Cordon Prolongateur pour la taille correcte de cordon prolongateur de type à 3 fils mis à la terre.



▲ DANGER

Risque de secousse électrique mortelle! Ne jamais enlever la broche de terre ronde. Le coupage du cordon ou de la fiche annulera la garantie et la pompe ne fonctionnera pas.



4. La figure 2 démontre une installation typique. Des adaptateurs filetés sont fournis pour attacher un boyeau d'arrosage là où les conditions permettent son usage. La pompe ne devrait jamais être plus que 4,6 m (15 pieds) par dessus ou éloigné de la source d'arrivée. Installer un clapet à pied lorsque la hauteur d'aspiration est au delà de 3,0 m (10 pieds) ou lorsque la

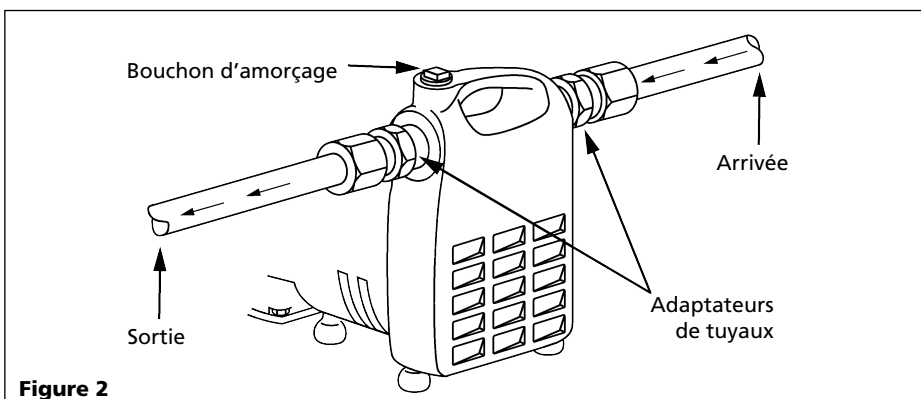


TABLEAU DE LONGUEUR DE CORDONS PROLONGATEURS

Taille de fils	#18	#16	#14	#12
Longueur	8 m	15 m	31 m	45 m

ligne d'aspiration est plus grande que 3,0 m (10 pieds).

5. La ligne d'arrivée peut être un tuyau galvanisé, en plastique ou renforcé. Les petites fuites dans la ligne d'aspiration réduit abondamment l'efficacité de la pompe et peut empêcher l'amorçage.

AVIS

Un boyeau

d'arrosage s'écroulera sous la pression d'aspiration et ne devrait pas être utilisé dans l'arrivée, l'utiliser seulement pour l'augmentation de la pression.

6. Utiliser un filtre lorsque vous pompez de l'eau d'un ruisseau, d'un étang ou d'une source où des objets étranges peuvent être aspirés dans la pompe. Le filtre devrait empêcher les solides d'entrer la ligne d'arrivée.
7. Un boyeau d'arrosage ordinaire peut être utilisé comme ligne de décharge.

Fonctionnement

AVIS

La pompe

doit être remplie d'eau avant le fonctionnement. Faire fonctionner la pompe sèche endommagera le joint d'arbre.

1. Ce modèle n'est pas imperméable ni intempérisé et n'est pas conçu pour l'utilisation dans les douches, les saunas, ou autres endroits qui peuvent être trempés. Le moteur est conçu pour l'utilisation dans un endroit propre et sèche qui a accès à suffisamment d'air refroidissant. La température ambiante autour du moteur ne devrait pas dépasser 40°C (104°F).
2. Enlever le bouchon d'amorçage et rem-

plir avec de l'eau. Fermer le bouchon.

3. Brancher le cordon d'alimentation dans une prise de courant protégée DDFT. La pompe s'amorçera dans quelques minutes selon la longueur de la ligne d'aspiration. Il est recommandé que vous utilisez un clapet à pied sur la ligne d'aspiration.
4. Pour une augmentation de pression, faire couler l'eau avant de démarrer la pompe. Ceci amorce la pompe avec pression. Ensuite, brancher le cordon d'alimentation dans une prise de courant protégée, DDFT.
5. Débrancher le cordon pour mettre le modèle hors circuit.

Entretien

▲ A VERTISSEMENT

Permettre que la

pompe se refroidisse pendant au moins 20 minutes avant de procéder à l'entretien. Le moteur peut être très chaud résultant en blessures graves.

1. Vérifier la pompe de temps en temps pour un fonctionnement correct.

▲ DANGER

Toujours débran-

cher la source d'électricité avant d'essayer d'installer, de déplacer ou de procéder à l'entretien. Si la source de puissance est hors vue, verrouiller et étiqueter dans la position ouverte (off) pour éviter l'alimentation inattendu. Manque de suivre ces directives peut résulter en secousse électrique mortelle. Seul un électricien qualifié devrait réparer ce modèle. La réparation incorrecte peut résulter en secousse électrique mortelle.

REPLACEMENT DES BALAIS

AVIS

Les balais pour

cette pompe devraient être inspectées après 100 heures de fonctionnement.

Les pompes qui fonctionnent pour plus que 100 heures peuvent cesser de fonctionner ou ne pas se démarrer. Ceci peut être causé par des balais usés ou l'accumulation de carbone. Enlever les balais et nettoyer le carbone des balais. Les balais usés ne sont pas couverts sous la garantie. Les balais de rechange sont disponibles de la division de pompes Wayne. Composer 1-800-323-0620 pour les commander.

Entretien (Suite)

1. Débrancher le cordon d'alimentation de la source de puissance.
2. Enlever les capots de balais avec un tournevis
3. Enlever le vieux montage de balai.
4. Introduire le nouveau montage de balai.
5. Remplacer les capots du balai.

Consulter le guide de dépannage concernant d'autres problèmes.

RÉPARATIONS ADDITIONNELLES

Pour remplacer les roulements, le joint d'arbre, joints d'étanchéité, rotor, suivre les instructions ci dessous.

1. Débrancher le cordon d'alimentation de la source de puissance.
2. Dissiper la pression du système.
3. Débrancher les lignes d'arrivée et de sortie.
4. Purger l'eau du carter de la pompe.
5. Placer la pompe sur un banc avec le côté du moteur faisant face en haut et enlever les balais comme décrit dans les instructions de Remplacement des balais. Si vous allez utiliser les balais de nouveau, inscrire l'endroit d'où vous les avez enlevés. Remplacer les balais dans leur positions originels lorsque vous complétez la réparation.
6. Enlever les quatre vis d'assemblage qui tiennent le carter du moteur et le

carter de la pompe ensembles. Le carter du moteur est maintenant libre et peut être enlevé. S'assurer de ne pas perdre le ressort de doigt du roulement de commutateur desserré.

7. Avec un tournevis, enlever le montage de rotor-plaque d'étanchéité du carter de la pompe.
8. Enlever la turbine en tournant au sens contraire des aiguilles d'une montre (filet droit sur l'arbre). Garder les rondelles qui étaient entre le collet de la turbine et l'arbre.
9. Enlever la plaque d'étanchéité (le palier est fixé dans la plaque d'étanchéité).
10. Placer la plaque d'étanchéité sur une surface plate avec le côté de la turbine faisant face en bas et pousser le joint d'arbre.
11. Placer la turbine sur une surface plate avec le côté des ailettes faisant face en bas et avec un tournevis et un marteau, casser la bague d'étanchéité en céramique en plusieurs morceaux et les enlever. Ensuite, enlever le godet de la bague d'étanchéité en caoutchouc de la turbine.
12. Enlever les roulements de l'arbre d'induit (caler à la presse sur l'arbre).
13. Inspecter les lames de collecteurs d'induit. L'environnement dans lequel le modèle fonctionnait influ-

encera l'état du commutateur. La poussière et la saleté dans l'air accélèra l'usage. Une apparence rugueuse ou avec cicatrices peut nécessiter la remise en état du commutateur avant le remontage.

14. Pour remonter, installer de nouveaux roulements sur l'arbre. Toujours pousser contre la bague intérieure afin d'empêcher le dompage aux roulements. S'assurer que les roulements soient serrés contre les épaulements de l'arbre.
15. Appuyer le joint d'arbre dans la plaque d'étanchéité. Lorsque vous appuyez sur le joint d'arbre, forcer le godet de la bride. Ne pas toucher la surface polie du joint; de l'huile ou des égratignures sur cette surface peuvent causer la faillite du joint.
16. Pousser le côté céramique du joint dans la turbine, le côté céramique vers l'extérieur. Ne pas toucher le céramique avec vos mains, l'huile peut causer la faillite prématurée du joint. Essuyer l'huile des deux côtés du joint avec un torchon souple sans charpie.
17. Remonter le modèle en ordre contraire de l'étape 9.
18. Suite au remontage, vérifier que l'arbre tourne librement avec un tournevis dans l'éventail à travers les ouvertures de sortie.

Guide de Dépannage

Symptôme	Cause(s) Possible(s)	Mesures Correctives
La pompe ne se démarre pas et ne fonctionne pas	<ol style="list-style-type: none"> 1. Fusible sauté 2. Tension de ligne basse 3. Balais usés 4. Turbine obstruée 5. Moteur défectueux 	<ol style="list-style-type: none"> 1. Si sauté, remplacer avec un fusible de taille correcte ou enclencher à nouveau le disjoncteur 2. Si la tension est sous 108 volts, vérifier la taille des fils 3. Remplacer les balais 4. Enlever le blocage 5. Remplacer le moteur ou la pompe
La pompe ne s'amorce pas ou ne conserve pas l'amorçage suite au fonctionnement	<ol style="list-style-type: none"> 1. Fuite d'air dans la ligne d'aspiration 2. Turbine obstruée 3. Joint usé 4. La hauteur d'aspiration trop élevée 5. Tuyau en coude ou bouclé 6. Raccords desserrés 7. Tuyau d'aspiration hors de l'eau 8. Arrivée obstruée 	<ol style="list-style-type: none"> 1. Réparer ou remplacer la ligne d'aspiration 2. Enlever le blocage 3. Remplacer le joint 4. Baisser la pompe 5. Redressir le tuyau 6. Serrer les raccords 7. Submerger le bout du tuyau d'aspiration 8. Nettoyer l'arrivée
Taux de débit trop bas	<ol style="list-style-type: none"> 1. La tuyauterie ou les tubes sont souillés ou endommagés 2. Tension de ligne basse 	<ol style="list-style-type: none"> 1. Nettoyer ou remplacer 2. Si la tension est sous 108 volts, vérifier la taille des fils
Fuites dans les joints	<ol style="list-style-type: none"> 1. Joint usé 2. Arbre cannelé 3. La tête de la pompe desserrée du moteur 	<ol style="list-style-type: none"> 1. Remplacer le joint 2. Remplacer le rotor 3. Assurer le montage correct sans obstructions, serrer les boulons

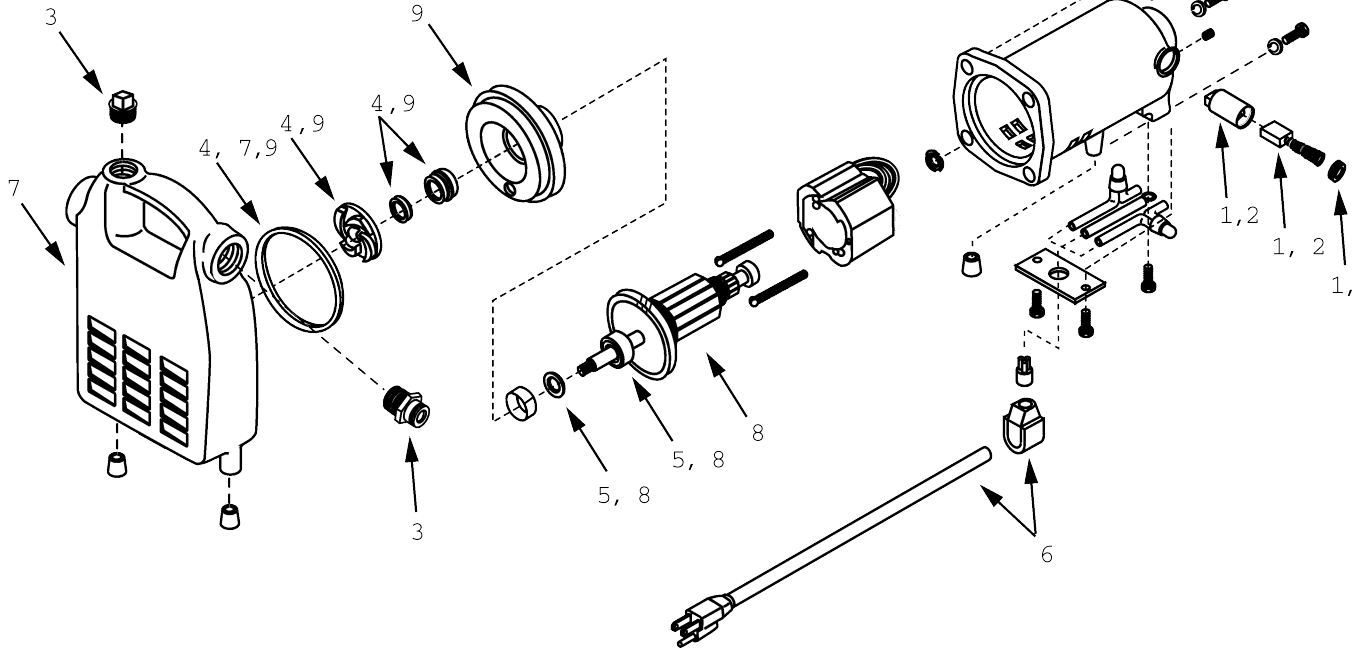
Pour pièces de rechange, composer 1-800-237-0987

No. de Réf.	Description	Número De Pièce	Qté.
1	Nécessaire de balai	62007-002	1
2	Nécessaire de support de balai	62008-002	1
3	Nécessaire de raccords	62009-001	1
4	Nécessaire de turbine et de joint	62010-001	1
5	Nécessaire de roulements	62011-002	1
6	Nécessaire de cordon	62012-001	1
7	Nécessaire de volute	62013-001	1
8	Nécessaire de rotor	62014-002	1
9	Nécessaire plaque joint étanche	62026-001	1

S'il vous plaît fournir l'information suivante:
 - Numéro du Modèle
 - Numéro de Série (si présent)
 - Description et numéro de la pièce

Correspondance:
 Wayne Home Equipment
 100 Production Drive
 Harrison, OH 45030 U.S.A.

REMARQUE: Les Pièces De Rechange sont disponibles en Nécessaires seulement.



Garantie Limitée

Pour un an à compter de la date d'achat, Wayne Home Equipment ("Wayne") va réparer ou remplacer, à son option, pour l'acheteur original n'importe quelle pièce ou pièces de ces Pompes De Puisard ou Pompes À Eau ("Produit") déterminées défectueuses, par Wayne, en matière ou en fabrication. S'il vous plaît appeler Wayne (800-237-0987) pour des instructions ou contacter votre marchand. S'assurer d'avoir, à votre disposition, le numéro du modèle afin d'effectuer cette garantie. Les frais de transportation des Produits ou pièces soumis pour la réparation ou le remplacement sont la responsabilité de l'acheteur.

Cette Garantie Limitée ne couvre pas les Produits qui se sont fait endommagés en résultat d'un accident, utilisation abusive, mauvais usage, négligence, l'installation incorrecte, entretien incorrect, ou manque d'utilisation conformément aux instructions écrit de Wayne.

IL N'EXISTE AUCUNE AUTRE GARANTIE OU AFFIRMATION. LES GARANTIES EXPRIMÉES, Y COMPRIS CELLES DE COMMERCIALISABILITÉ ET D'ADAPTION À UNE FONCTION PARTICULIÈRE, SONT LIMITÉES À UN AN À COMPTER DE LA DATE D'ACHAT. CE CI EST LA REMÈDE EXCLUSIVE ET N'IMPORTE QUELLE RESPONSABILITÉ POUR N'IMPORTE QUEL ET TOUT DOMMAGES INDIRECTS OU DÉPENSES QUOI QUE SE SOIT EST EXCLUS.

Certaines Provinces n'autorisent pas de limitations de durée pour les garanties implicites, ni l'exclusion ni la limitation des dommages fortuits ou indirects. Les limitations précédentes peuvent donc ne pas s'appliquer. Cette garantie limitée donne, à l'acheteur, des droits légaux précis, et vous pouvez avoir autres droits légaux qui sont variable d'une Province ou d'un État à l'autre.

En aucun cas, soit par suite d'un rupture de contrat de garantie, acte dommageable (y compris la négligence) ou autrement, ni Wayne ou ses fournisseurs seront responsables pour aucune dommage spéciale, incidentel ou pénal, y compris, mais pas limité à la perte de profits ou recettes, la perte d'usage des produits ou n'importe quel équipement associé, dommage à l'équipement associé, coût de capital, coût de produits remplaçants, aménagements, services ou abilité de remplacement, coût de temps que le produit n'est pas en service, ou la réclamation des clients de l'acheteur pour ces dommages.

Vous **DEVEZ** garder votre recette d'achat avec ce bulletin. Il est **NÉCESSAIRE** d'envoyer une **COPIE** de la recette d'achat avec le matériel ou correspondance afin d'effectuer une réclamation de la garantie. S'il vous plaît appeler Wayne (800-237-0987) pour l'autorisation et instructions concernant le renvoi.

NE PAS ENVOYER, PAR LA POSTE, CE BULLETIN À WAYNE. Utiliser ce bulletin seulement pour vos archives.

N° DU MODÈLE _____ N° DE SÉRIE _____ DATE D'INSTALLATION _____

FIXER VOTRE FACTURE ICI

Sírvase leer y guardar estas instrucciones. Lea con cuidado antes de tratar de armar, instalar, manejar o darle servicio al producto descrito en este manual. Protéjase Ud. y a los demás observando todas las reglas de seguridad. El no seguir las instrucciones podría resultar en heridas y/o daños a su propiedad. Guarde este manual como referencia.



Bomba Portátil de Servicio con Sistema de Cebado Automático

Descripción

Las bombas portátiles de servicio con sistema de cebado automático están diseñadas para usarse como bombas de desagüe para vaciar calentadores de agua, albercas (piscinas), tanques para animales, botes, etc. Igualmente, las bombas se pueden usar de modo intermitente para lavar coches, limpiar entradas de garajes, etc. El motor se enfría con aire y no está diseñado para operar bajo agua.

NOTA: Este bomba no está diseñada para una instalación permanente o para períodos de trabajo continuo largos y extendidos.

Medidas de Seguridad

Este manual contiene información que es muy importante que sepa y comprenda. Esta información se la suministramos como medida de SEGURIDAD y para EVITAR PROBLEMAS CON EL EQUIPO. Debe reconocer los siguientes símbolos.

PELIGRO Esto le indica que hay una situación inmediata que LE OCASIONARIA la muerte o heridas de gravedad.

ADVERTENCIA Esto le indica que hay una situación que PODRIA ocasionarle la muerte o heridas de gravedad.

PRECAUCION Esto le indica que hay una situación que PODRIA ocasionarle heridas no muy graves.

Especificaciones

Motor	Monofásico - 115V, 60 Hz, 8,000 R.P.M.	Caballos de Fuerza	1/2 CP
Motor	Serie Wound (con escobillas) CA/CD	Orificios de Entrada/Salida	19,1 mm (3/4") NPT
Propela	SAN	Envoltura de la Bomba	Hierro colado
Cubierta del Motor	Hierro colado	Eje del Motor	Acero laminado en frío
Sellos del eje y la Voluta	Buna-N	Cojinetes del Motor	Lubricados de por Vida
Temp. Máx. del Fluido	49°C (120°F)		

AVISO Esto le indica una información importante, que de no seguirla, le podría ocasionar daños al equipo.

Informaciones Generales de Seguridad

PELIGRO No sumerja el motor en agua ni permita que se moje. Esto podría ocasionarle heridas de gravedad y/o la muerte.

PELIGRO No use esta bomba para bombear fluidos inflamables o explosivos tales como gasolina, combustibles, kerosene, etc. No la use en atmósferas inflamables o explosivas. La bomba sólo se debe usar para bombear agua pura. De lo contrario pudiera ocasionarle heridas de gravedad y/o la muerte.

ADVERTENCIA Peligro de electrocutamiento. Todos los trabajos de alambrado los debe hacer un electricista calificado.

PELIGRO Si el piso está húmedo o mojado, no camine por allí hasta que haya apagado todos los aparatos eléctricos. Si no obedece esta advertencia podría morir electrocutado.

1. Lea todas las instrucciones antes de comenzar a usar la bomba.

2. Desconecte el cordón eléctrico y libere toda la presión del sistema antes de darle servicio a cualquier componente.
3. Drene todos los líquidos del sistema antes de darle servicio.

ADVERTENCIA Asegure la línea de descarga antes de encender la bomba. Si no la asegura, la manguera podría enrollarse. Esto podría ocasionarle heridas y/o daños a su propiedad.

4. Periódicamente inspeccione la bomba y los componentes, chequee si las mangueras están debilitadas o desgastadas. Cerciórese de que todas las conexiones estén bien apretadas.
5. Cerciórese de que haya una forma de liberar la presión en caso de que la línea de descarga se obstruya.
6. Proteja los cordones eléctricos contra objetos afilados, superficies calientes, aceite y químicos. Evite que el cordón se enrolle y reemplace los cordones dañados inmediatamente.

Instalación

PELIGRO Desconecte el cordón eléctrico antes de tratar de instalarla, darle servicio, moverla de sitio o darle mantenimiento. Nunca toque la bomba, el motor, el agua o la tubería de descarga cuando la bomba esté conectada al tomacorrientes. Nunca cargue ni toque la bomba ni el motor con las manos mojadas o mientras esté parado en un área húmeda o mojada. Podría morir electrocutado.

1. Necesita usar un cortacircuito automático con conexión a tierra.

RECORDATORIO: ¡Guarde su comprobante de compra con fecha para fines de la garantía! Adjúntela a este manual o archívela en lugar seguro.

Instalación (Continuación)

▲ PELIGRO

¡Peligro de morir electrocutado! Esta bomba tiene un conductor para conexión a tierra y un



enchufe para conexión a tierra. Debe utilizar un tomacorrientes que cumpla con los códigos vigentes nacionales (NEC en EE.UU.) y locales (Vea la Figura 1)

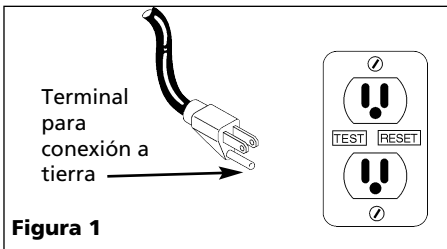


Figura 1

- Esta bomba sólo se debe usar con circuitos de 115 voltios (monofásicos), 60 Hz CA, ó 115 voltios CD.
- Use un cordón de extensión sólo cuando sea necesario. Use cordones de extensión, de tres alambres para conexión a tierra que sean de la longitud y calibre indicados en la Tabla de cordones de extensión.

▲ PELIGRO

¡Peligro de morir electrocutado! Nunca le corte el terminal redondo para conectarlo a tierra. Si le corta el cordón eléctrico o el enchufe, la garantía quedaría cancelada y la bomba no funcionaría.



- La Figura 2 le indica cómo instalar la bomba. Los adaptadores con roscas se le suministran para que conecte mangueras para jardín cuando las condiciones lo permitan. Bajo ninguna circunstancia la bomba debe estar a más de 4,6 m (15 pies) de distancia (vertical u horizontal) de la entrada de suministro. Instale una válvula de pie cuando la bomba se vaya a colocar a más de 3,0 m (10 pies) de altura o cuando la línea de succión sea de más de 3,0 m (10 pies).

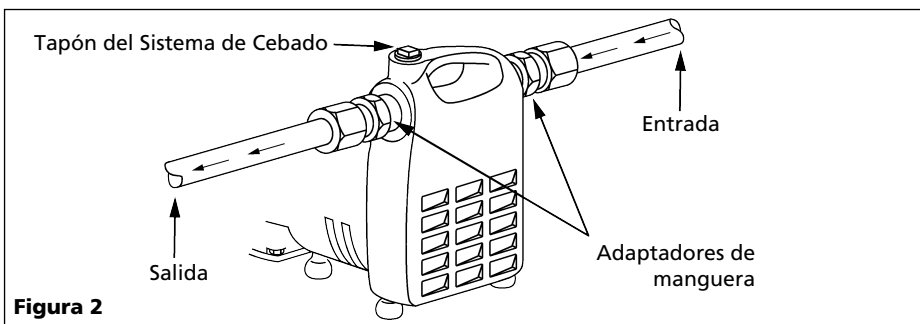


Figura 2

TABLA DE LAS LONGITUDES DE LOS CORDONES DE EXTENSIÓN				
Tamaño del alambre #18	#16	#14	#12	
Longitud	8 m	15 m	31 m	45 m

- La línea de entrada puede ser una tubería galvanizada, una tubería de plástico o una manguera reforzada. De haber fugas, aunque sean pequeñas, en la línea de succión, la eficacia de la bomba se reduciría bastante y podría evitar el proceso de cebado.

AVISO

Si usa una

manguera común para jardines, la presión de succión la dañará y por lo tanto sólo la debe usar para aumentar la presión de entrada.

- Use un colador cuando vaya a bombear agua de un riachuelo, charca o cualquier sitio donde pueda haber basura que podría obstruir la bomba. El colador debe evitar la entrada de sólidos a la línea de entrada de la bomba.
- Puede usar una manguera común para jardines como línea de descarga.

Funcionamiento

AVISO

Debe llenar la

bomba de agua antes de encenderla. De los contrario, los sellos del eje se dañarán.

- Esta unidad no es a prueba de agua o a prueba de intemperie y no está diseñada para usarse en duchas, saunas, ni ningún sitio donde se pueda mojar. El motor está diseñado para usarse en sitios limpios y secos donde tenga acceso a aire adecuado para enfriarlo. La temperatura ambiental alrededor del motor no debe exceder 40°C (104°F).
- Quítele el tapón al sistema de cebado y llénelo de agua. Póngale el tapón.
- Conecte el cordón eléctrico a un tomacorrientes con cortacircuito automático con conexión a tierra. La

bomba completará el proceso de cebado en pocos minutos, dependiendo de la longitud de la línea de succión. Le recomendamos que use una válvula de pie en la línea de succión.

- En caso de que la vaya a usar para aumentar la presión de agua, abra la llave de agua antes de encender la bomba. La bomba se cebará con la presión del agua. Después, conecte el cordón eléctrico a un tomacorrientes a un tomacorrientes con cortacircuito automático con conexión a tierra.
- Desconecte el cordón para apagar la unidad.

Mantenimiento

▲ ADVERTENCIA

Debe esperar

por lo menos 20 minutos para que la bomba se enfríe antes de darle servicio. El motor podría estar sumamente caliente. Podría sufrir heridas personales.

- Debe chequear la boomba periódicamente para ver si está funcionando adecuadamente.

▲ PELIGRO

Siempre des-

conecte el cordón eléctrico antes de tratar de instalarla, darle servicio, moverla de sitio o darle mantenimiento. Si el tomacorrientes está fuera de su alcance, cerciórese de que el interruptor esté en "off" (apagado) y que no se puede activar accidentalmente. De lo contrario podría morir electrocutado. Sólo electricistas calificados deben reparar esta unidad. La reparación inadecuada podría ocasionar la muerte debido a un choque eléctrico.

PARA REEMPLAZAR LAS ESCOBILLAS

AVISO

Las esco-

billas de esta bomba se deben inspeccionar después de 100 horas de funcionamiento.

Después de 100 horas de funcionamiento la bomba podría dejar de funcionar o no encender. Ésto podría ser debido al desgaste de las escobillas o a la acumulación de carbón. Debe desmontar las escobillas y quitarle los residuos de carbón. Las escobillas no están cubiertas en la garantía. Para ordenar escobillas de repuesto comuníquese con el distribuidor de bombas Wayne más cercano a su domicilio. En EUA llame al 1-800-323-0620 para ordenarlas.

Mantenimiento (Continuación)

1. Desconecte el cordón eléctrico del tomacorrientes.
 2. Use un desarmador para quitarle las tapas a las escobillas.
 3. Saque el ensamblaje de las escobillas usadas.
 4. Colóquelo las escobillas nuevas.
 5. Colóquelo las tapas de las escobillas.
- Si tiene otros problemas, consulte la guía de diagnóstico de averías.

REPARACIONES ADICIONALES

Para reemplazar los cojinetes, los sellos del eje, los empaques o el rotor siga las instrucciones enumeradas a continuación.

1. Desconecte el cordón eléctrico del tomacorrientes.
2. Libere la presión del sistema.
3. Desconecte las líneas de entrada y de salida.
4. Vacíe el agua en la envoltura de la bomba.
5. Coloque la bomba sobre una mesa con el motor hacia arriba y quítele las escobillas tal cómo se le indica en la sección **"COMO REEMPLAZAR LAS ESCOBILLAS"**. Si va a usar las mismas escobillas, marque de donde sacó cada una. Al terminar de hacer las reparaciones, coloque las escobillas en su posición original.
6. Quítele los cuatro tornillos que unen la envoltura del motor a la de la bomba. La envoltura del motor estará libre y podrá sacarla. Cerciórese de que no se extravie el resorte de los cojinetes.
7. Use un desarmador para sacar la tapa posterior de la envoltura de la bomba.
8. Para sacar la propela gírela en sentido contrario al de las agujas del reloj (roscas derechas del eje). Conserve las arandelas que van entre el cubo de la propela y el eje.
9. Saque la tapa posterior (el cojinete está calzado a presión a la tapa posterior).
10. Coloque la tapa posterior sobre una superficie plana con la propela hacia abajo y aplíquelo presión al sello del eje para sacarlo.
11. Coloque la propela sobre una superficie plana con la aleta hacia abajo y con un desarmador y un martillo rompa el sello de cerámica en varios pedazos para sacarlo. Después, sáquele a la propela el anillo del sello de goma.
12. Saque los cojinetes del eje de la armadura (calzados a presión en el eje).
13. Inspeccione las barras conmutadoras de la armadura. La condición de éstas dependerá de donde haya utilizado la bomba. El polvo en el aire acelerará su desgaste. Si lucen estar dañadas, deberá reacondicionar el comutador antes de reensamblarlo.
14. Para reensamblarlo, instátele los cojinetes nuevos al eje. Siempre presiónelos contra el anillo interior para evitar que los cojinetes se dañen. Cerciórese de que los cojinetes ejerzan bastante presión contra los hombros del eje.
15. Aplíquelo presión al sello del eje para conectarlo a la tapa posterior. Para colocarlos aplíquelo la presión a la lengüeta. Evite tocar la superficie pulida del sello; si esta superficie se contamina con aceite o se raya el sello podría dañarse prematuramente.
16. Presione el lado de cerámica del sello contra la propela, con el lado de cerámica hacia afuera. Evite tocar la cerámica con las manos ya que los residuos de aceite podrían dañar el sello prematuramente. Limpie los residuos de aceite de ambos lados del sello con un trapo suave y sin hilachas.
17. Para reensamblar la unidad siga los pasos anteriores en orden contrario, comenzando con el paso 9.
18. Después de reensamblar la unidad introduzca un desarmador por el orificio de entrada de aire para verificar que las aletas puedan rotar libremente.

Guía de Diagnóstico de Averías

Problema	Posible(s) Causa(s)	Acción a Tomar
La bomba no se enciende ni funciona	<ol style="list-style-type: none"> 1. Un fusible quemado 2. El voltaje es muy bajo 3. Las escobillas están desgastadas 4. La propela está obstruída 5. El motor está dañado 	<ol style="list-style-type: none"> 1. Si está quemado, reemplácelo con un fusible adecuado o active el cortacircuito 2. Si el voltaje es menos de 108 voltios, chequee el alambrado. 3. Reemplace las escobillas 4. Quítele lo que la está obstruyendo 5. Reemplace el motor o la bomba
La bomba no se ceba o lo pierde después de funcionar	<ol style="list-style-type: none"> 1. Hay fuga de aire en la línea de succión 2. La propela está obstruída 3. El sello está desgastado 4. El nivel de succión es muy alto 5. La manguera está enrollada 6. Las conexiones están flojas 7. La manguera de succión no tiene agua 8. El orificio de entrada está obstruído 	<ol style="list-style-type: none"> 1. Repare o reemplace la línea de succión 2. Quítele lo que la está obstruyendo 3. Reemplace el sello 4. Coloque la bomba en un sitio más bajo 5. Enderece la manguera 6. Apriete las conexiones 7. Sumerja el extremo de la manguera de succión 8. Limpie el orificio de la entrada
El flujo es muy bajo	<ol style="list-style-type: none"> 1. Las tuberías o mangueras están obstruídas o dañadas 2. El voltaje es muy bajo 	<ol style="list-style-type: none"> 1. Límpielas o reemplácelas 2. Si el voltaje es menos de 108 voltios, chequee el alambrado
Los sellos tienen fugas	<ol style="list-style-type: none"> 1. El sello está desgastado 2. El eje está dañado 3. La bomba está mal conectada al motor 	<ol style="list-style-type: none"> 1. Reemplace el sello 2. Reemplace el rotor 3. Cerciórese de que esté bien conectada y que no esté obstruída, apriete los pernos

Para ordenar repuestos en EUA Llame al Teléfono 1-800-237-0987

No. de Ref.	Descripción	Número del repuesto	Ctd.
1	Juego de escobillas	62007-002	1
2	Juego de piezas del portaescobillas	62008-002	1
3	Juego de conectores	62009-002	1
4	Juego de propela y sellos	62010-002	1
5	Juego de cojinetes	62011-002	1
6	Juego de piezas del cordón	62012-002	1
7	Juego de piezas de la voluta	62013-002	1
8	Juego de piezas del rotor	62014-002	1
9	Juego de placa del sello	62026-002	1

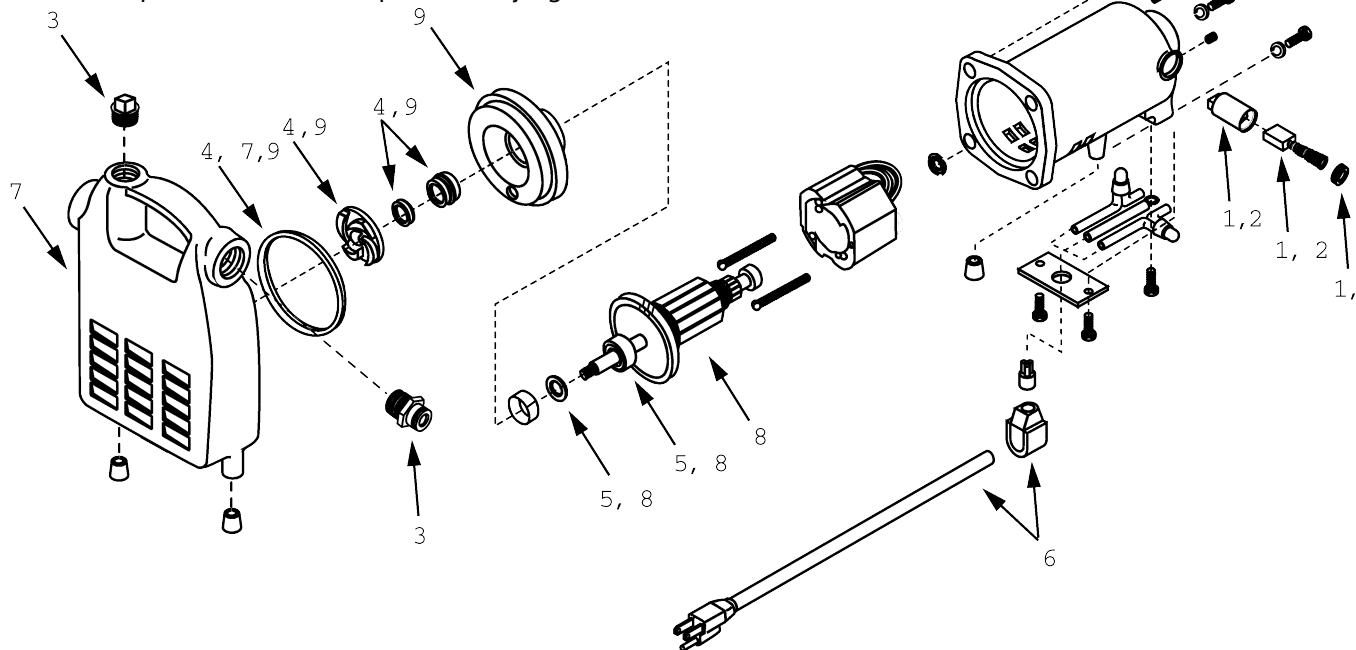
Sírvase suministrarnos la siguiente información:

- Número del modelo
- Número de Serie (de haberlo)
- Descripción y número del repuesto según la lista de repuestos

Puede escribirnos a:

Wayne Home Equipment
100 Production Drive
Harrison, OH 45030 U.S.A.

NOTA: Los repuestos sólo están disponibles en juegos

**Garantía Limitada**

Durante un año a partir de la fecha de compra, Wayne Home Equipment ("Wayne") reparará o reemplazará, según lo consideren adecuado, cualquier pieza de esta bomba para sumideros ("Producto") que el comprador original envíe a reparación y los empleados o representantes autorizados de Wayne determinen que están defectuosos debido a problemas de materiales o manufactura. Para recibir información sobre los pasos a seguir, comuníquese directamente con la compañía Wayne (800-237-0987, sólo desde EUA), o con el distribuidor autorizado más cercano a su domicilio. En el momento de reclamar sus derechos bajo esta garantía deberá suministrarnos el número del modelo. Todos los gastos de flete serán la responsabilidad del comprador.

Esta garantía limitada no cubre los daños debido a accidentes, abusos, uso inadecuado, negligencia, instalación inadecuada, mantenimiento inadecuado, o funcionamiento sin seguir las instrucciones suministradas por escrito por la compañía Wayne.

NO HAY NINGUNA OTRA GARANTÍA EXPRESA O IMPLÍCITA. INCLUYENDO AQUELLAS SOBRE VENTA O USOS ESPECÍFICOS, Y LAS GARANTÍAS ESTÁN LIMITADAS A UN AÑO A PARTIR DE LA FECHA DE COMPRA. ESTA ES LA ÚNICA GARANTÍA Y CUALQUIER PERDIDA O RESPONSABILIDAD CIVIL, SEA DIRECTA O INDIRECTA COMO CONSECUENCIA DE DAÑOS SON EXCLUIDAS.

Algunos estados no permiten límites en la duración de las garantías, o no permiten que se limiten o excluyan casos por daños por accidentes o consecuentes, en dichos casos los límites arriba enumerados tal vez no apliquen para Ud. Esta garantía limitada le otorga a Ud. ciertos derechos que pueden variar de un estado a otro.

Bajo ninguna circunstancia, aunque sea debido al incumplimiento del contrato de garantía, culpabilidad (incluyendo negligencia) u otras causas, la compañía Wayne o ninguno de sus surtidores serán responsables legalmente por ningún fallo legal en su contra, incluyendo, pero no limitado a pérdida de ganancias, pérdidas del uso del producto o piezas asociadas con el equipo, pérdidas de capital, gastos para reemplazar los productos dañados, pérdidas por cierre de fábrica, servicios o pérdida de electricidad, o demandas presentadas por los clientes del comprador por dichos daños.

Ud. **DEBE** conservar el recibo como prueba de compra junto con esta garantía. En caso de que necesite presentar un reclamo de sus derechos bajo esta garantía, Ud. **DEBERÁ** enviar una **copia** del recibo de la tienda junto con el producto o correspondencia. Comuníquese con la compañía Wayne (800-237-0987, sólo desde EUA) para recibir autorización e instrucciones de como enviar la mercancía.

NO ENVIE ESTOS DATOS A WAYNE. Conserve esto sólo como datos.

MODEL NO. _____ NO. DE SERIE _____ FECHA DE INSTALACION _____

GRAPE SU RECIBO DE COMPRA AQUI

Free Manuals Download Website

<http://myh66.com>

<http://usermanuals.us>

<http://www.somanuals.com>

<http://www.4manuals.cc>

<http://www.manual-lib.com>

<http://www.404manual.com>

<http://www.luxmanual.com>

<http://aubethermostatmanual.com>

Golf course search by state

<http://golfingnear.com>

Email search by domain

<http://emailbydomain.com>

Auto manuals search

<http://auto.somanuals.com>

TV manuals search

<http://tv.somanuals.com>