

Please read and save these instructions. This manual contains important Safety Warnings and Operating Instructions. You will need to refer to it before attempting any application or maintenance. Always keep this manual with the unit so that it will be easily accessible. Failure to read and follow these warnings and instructions could result in property damage, serious injury or death.

EEAUP250

DESCRIPTION

This portable, submersible utility pump is designed for automatic use in water. The units are equipped with a 9 ft. 3-prong grounding type power cord. The provided discharge adapter can be used for convenient attachment to a garden hose.

UNPACKING

Inspect this unit before it is used. Occasionally, products are damaged during shipment. If the pump or components are damaged, contact customer service at 1-800-237-0987.

READ & FOLLOW ALL INSTRUCTIONS
SAVE THESE INSTRUCTIONS — DO NOT DISCARD

SAFETY GUIDELINES

This manual contains information that is important to know and understand. This information is provided for SAFETY and to PREVENT EQUIPMENT PROBLEMS. To help recognize this information, observe the following symbols.

⚠ DANGER Danger indicates an imminently hazardous situation which, if NOT avoided, WILL result in death or serious injury.

⚠ WARNING Warning indicates a potentially hazardous situation which, if NOT avoided, COULD result in death or serious injury.

⚠ CAUTION Caution indicates a potentially hazardous situation which, if NOT avoided, MAY result in minor or moderate injury.

NOTICE Notice indicates important information, that if NOT followed, MAY cause damage to equipment.

⚠ This is the safety alert symbol. It is used to alert you to potential bodily injury hazards. Obey all safety messages that follow this symbol to avoid possible injury or death.

NOTE: Note indicates information that requires special attention.

GENERAL SAFETY INFORMATION

CALIFORNIA PROPOSITION 65

⚠ WARNING This product or its power cord may contain chemicals, including lead, known to the State of California to cause cancer and birth defects or other reproductive harm. Wash hands after handling.

GENERAL SAFETY

- Read the manual(s) included with this product carefully. Be thoroughly familiar with the controls and the proper use of the equipment. Follow all instructions.
- Only persons well acquainted with these rules of safe operation should be allowed to use the unit. Keep away from children!



⚠ DANGER Risk of fire, explosion and/or death! Pump is NOT rated for use with flammable/combustible liquids, vapors or dusts. Do NOT pump liquids that are NOT clear. Failure to follow these instructions will result in bodily injury or death.



⚠ WARNING Risk of electric shock. This pump has NOT been tested for use in swimming pool or marine areas. NEVER place pump in pools while people are in the water. Failure to follow COULD result in death or serious injury.



⚠ WARNING Risk of electric shock! Do NOT handle pump with wet hands or when standing in water or on a damp surface. Failure to follow COULD result in death or serious injury.



⚠ DANGER Electric shock hazard! For installation by a qualified electrician only. GFCI receptacles will provide protection against line to ground faults only. The ground fault receptacle does NOT limit the magnitude of fault current and will NOT prevent an electrical shock.

1. Wear safety glasses at all times when working with pumps.
2. The unit MUST be plugged into a GFCI. For installation by a qualified electrician only.
3. Damage to the power cord or discharge hose may occur. Use the handle supplied on the pump.



APPLICATION AND OPERATION

⚠ DANGER Do NOT use pump if any part of the housing switch or probe is cracked, broken, or missing.

⚠ WARNING Always disconnect electric supply before attempting to install, service, relocate, or perform any maintenance. If the power source is out of sight, lock and tag in open (off) position to prevent unexpected power application. Failure to do so could result in fatal electrical shock!



⚠ DANGER Electric shock hazard. Use only Underwriters Laboratories (UL)- listed extension cord with #16 gauge or larger wire that is labeled for outdoor use. Use polarized grounding type plugs only. Polarized plugs have one blade slightly wider than the other and can only be inserted one way into the outlet. Do NOT handle plug connector near water. Failure to follow these instructions will result in serious injury or death.



⚠ WARNING This unit is NOT designed for use as a sump pump or in sump applications. This unit is NOT designed for use in septic tanks or underground vaults to pump raw sewage or effluents. NEVER use in hazardous or explosive locations.



1. This pump has been designed with 1-1/4 in. NPT discharge connection size. Attach pipe or fitting to the discharge or use the supplied garden hose adapter. Thread the female end of the garden hose to the male end of the elbow.
2. Be certain to use a hose washer (not included) on the garden hose for correct pump operation.

REMINDER: Keep your dated proof of purchase for warranty purposes!
Attach it to this manual or file it for safekeeping.

APPLICATION AND OPERATION (CONTINUED)

3. For best pump performance, unwind the hose before starting the pump. This will help remove any kinks or binds in the hose and allow the unit to pump with less restriction.
4. Set the pump on a hard, flat surface in the water. Do not set the pump directly on mud or sand surfaces. This will cause the inlet screen to clog.
5. The water level must be at least 1-3/4 inches for the pump to cycle, prime, and operate. Water levels less than 1-3/4 inches will not allow the impeller to contact water therefore no water will be pumped.

⚠ DANGER Do NOT handle pump with wet hands or when standing in water or on a damp surface when the unit is operating or fails to operate. ALWAYS disconnect pump power cord from power source before handling.



6. Plug the pump into a 120 volt GFCI protected outlet. The pump will start automatically when the water reaches a depth of 1-3/4 inches. A priming delay of 2 seconds is programmed into the control to allow time for air to escape from the pumping chamber.
7. The pump will stop automatically once water has been removed to a depth of approximately 3/8 of an inch above the hard surface. The pump will not restart until the water depth rises to 1-3/4 inches or greater.
8. The pump will not allow itself to run dry. Once the pump detects that water is no longer being removed, it will shut down automatically. The pump must remain upright at all times in order for the water detection to function. The shaft seal depends on water for lubrication. Do not allow the pump to operate on its side or inverted.

NOTICE Do NOT alter the pump to override the automatic water detector. The shaft seal depends on water for lubrication. Overriding this pump feature can cause the pump to run dry and may damage the shaft seal and cause pump failure.

MAINTENANCE AND TROUBLESHOOTING

⚠ WARNING Pump starts automatically. Always disconnect electric supply before attempting to install, service, relocate, or perform any maintenance. Failure to do so could result in fatal electrical shock.



Minimal service is required for this pump. The motor housing of the pump is completely sealed and requires no service. If pump should fail to operate, perform the following troubleshooting guidelines:

1. Verify pumping height does NOT exceed 15 feet (See Figure 1). If pumping height is greater than 15 feet, this pump will NOT operate.
2. Verify water depth is 1-3/4 inches or greater (See Figure 1).

⚠ DANGER Do NOT disassemble or alter this product in any way. Failure to follow these instructions will result in serious injury or death.

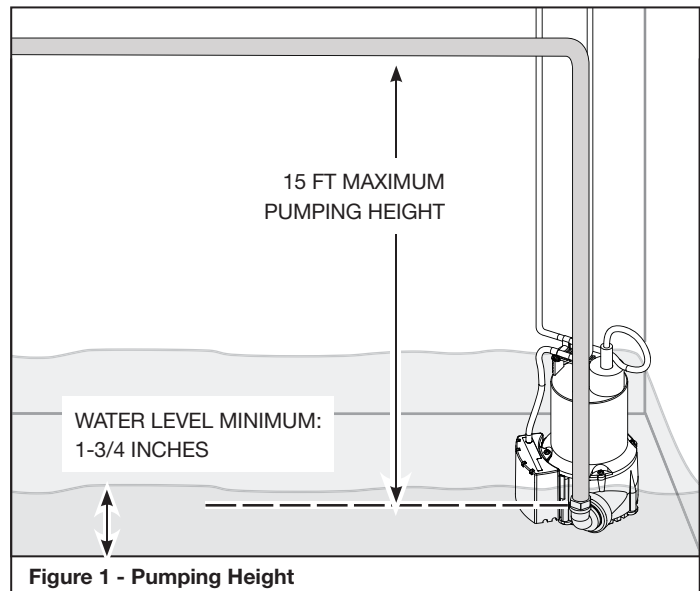
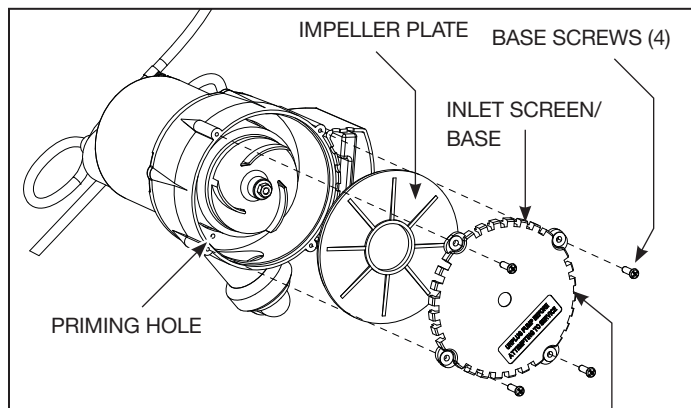


Figure 1 - Pumping Height

3. To verify pump is operating correctly.
 - a. Disconnect pump from power source.
 - b. Connect hose adapter and discharge hose to pump.
 - c. Immerse pump in a bucket or tub of water at least 1-3/4 inches in depth.
 - d. Place the other end of the discharge hose outside the bucket, so the water will pump out.
 - e. Plug power cord into a grounded 120 volt GFCI power outlet. The pump should start after 2 seconds of detecting water. Once the pump removes the water to a depth of 3/8 inch, the pump will stop automatically.
 - f. If pump does NOT operate, unplug power cord and proceed to maintenance – step 5.
4. To verify discharge hose is free from a blockage.
 - a. Connect hose to another water source such as a faucet. If water flows through hose, return to step 3a. If water is restricted, verify discharge hose is unwound. Remove all kinks, bends, or obstructions in hose.
 - b. If pump is still NOT operating, proceed to step 6.
5. Periodic cleaning of pump is required to maintain performance of the pump. Follow the cleaning steps listed below:
 - a. Unplug the power cord.
 - b. Remove the four (4) base screws (Figure 2).
 - c. Remove the base and impeller plate.
 - d. Remove the debris and make sure the impeller turns freely.
 - e. Reinstall impeller plate, base, and screws.
6. Check the priming hole for obstruction. (Figure 2). Follow the cleaning steps listed below:
 - a. Unplug the power cord.
 - b. Remove the four (4) base screws (Figure 2).
 - c. Remove the base and impeller plate.
 - d. Use a pin or paperclip to clean the priming hole and air escape channel.
 - e. Reinstall impeller plate, base and screws.

**MAINTENANCE AND TROUBLESHOOTING
(CONTINUED)**



WHEN REATTACHING THE BASE (INLET SCREEN), BE SURE THAT THE FOUR (4) "PLUGGED" SCREENS ARE ORIENTED BELOW THE SWITCH.

Figure 2 - Priming Hole Location

7. If pump runs continuously, unplug the unit. Once unplugged, check for debris stuck inside the sensor body (Figure 3). Remove any trapped leaves, debris or dirt.
8. If the pump cycles on and off too often the electronic switch may need cleaning. Unplug the pump and turn upside down. The sensor probe will be visible inside the switch housing. Clean inside the housing gently scrubbing with a small brush using soapy water.

⚠ DANGER

Do not use pump if any part of the switch housing or probe is cracked, broken or missing.

PUMPING HEIGHT

When water is pumped to an elevated position, any volume that has not reached the discharge outlet can flow back through the pump when the pump shuts off. This back-flow can cause the water level in small areas to rise enough to re-start the pump. A check valve [Check Valve Sold Separately] is required in this situation. For proper operation, make certain the check valve is oriented as instructed.

NOTICE

In small areas a check valve is required to prevent backflow. Without a check valve the pump may cycle continuously and potentially wear out the pump components.

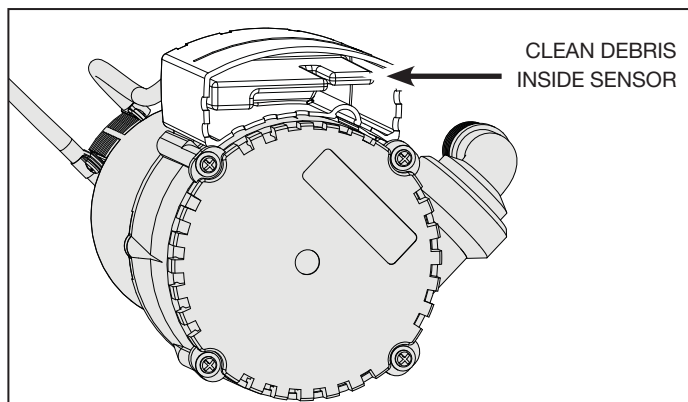


Figure 3 - Remove Debris From Sensor

Troubleshooting Chart

⚠ DANGER

Electrocution Hazard! Pump starts automatically. Disconnect the power before attempting any repairs. Failure to follow will result in serious injury or death.

Symptom	Possible Cause(s)	Corrective Action
Pump will not start or run	<ol style="list-style-type: none"> 1. Tripped home electrical breaker 2. GFCI tripped 3. Low line voltage 4. Defective motor 5. Dirty switch 6. Impeller obstructed 7. Inlet screen clogged 8. Priming hole plugged 	<ol style="list-style-type: none"> 1. Reset breaker 2. Check for damaged wiring or moisture 3. If voltage is under 108 volts, check wiring size 4. Replace pump 5. Rinse out switch with clean water (Figure 3 on page 3) 6. Remove base and impeller plate (Figure 2 on page 3) check for debris; clean 7. Clean inlet screen (Figure 2 on page 3) 8. Clean hole, inside volute housing, with a pin or paper clip (Figure 2 on page 3)
Pump starts and stops too often	<ol style="list-style-type: none"> 1. Backflow of water from piping 2. Dirty switch 3. Priming hole plugged 	<ol style="list-style-type: none"> 1. Install or replace check valve [Sold Separately: CAT No. 40138] 2. Rinse out switch with clean water (Figure 3 on page 3) 3. Clean hole, inside volute housing, with a pin or paper clip (Figure 2 on page 3)
Pump will not shut off or runs continuously	<ol style="list-style-type: none"> 1. Debris in switch 2. Discharge height exceeds capability 	<ol style="list-style-type: none"> 1. Rinse out switch with clean water (Figure 3 on page 3) 2. Raise pump or reduce discharge height
Pump operates but delivers little or no water	<ol style="list-style-type: none"> 1. Impeller obstructed 2. Priming hole plugged 3. Obstructed piping 4. Discharge height exceeds capability 	<ol style="list-style-type: none"> 1. Remove base and impeller plate (Figure 2 on page 3), check for debris; clean 2. Clean hole, inside volute housing, with a pin or paper clip (Figure 2 on page 3) 3. Check for kinks, reposition hose or check for debris 4. Reposition pump to reduce discharge height

For Replacement Parts or Technical Assistance, call 1-800-237-0987

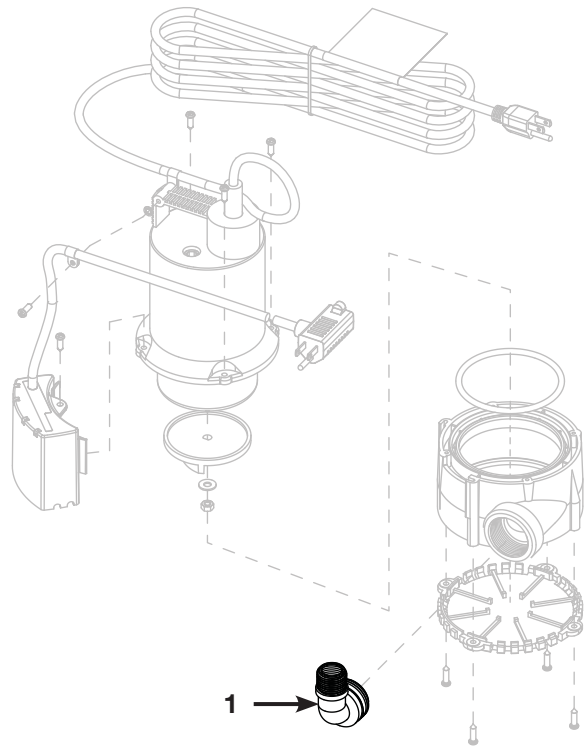
Please provide following information:

- Model number
- Serial number (if any)
- Part description and number as shown in parts list

Address parts correspondence to:

WAYNE Water Systems
101 Production Drive
Harrison, OH 45030 U.S.A.

Ref. No.	Description	Order No.	Quantity
1	Adapter Kit	62060-001	1



Limited Warranty

For one year from the date of purchase, WAYNE Water Systems Division ("WAYNE Pumps") will repair or replace, at its option, for the original purchaser any part or parts of its Water Pumps ("Product") found upon examination by Wayne to be defective in materials or workmanship. Please call WAYNE Pumps (800-237-0987) for instructions or see your dealer. Be prepared to provide the model number and the serial number when exercising this warranty. All transportation charges on Products or parts submitted for repair or replacement must be paid by purchaser.

This Limited Warranty does not cover Products which have been damaged as a result of accident, abuse, misuse, neglect, improper application, improper maintenance, or failure to operate in accordance with WAYNE Pumps' written instructions.

THERE IS NO OTHER EXPRESS WARRANTY. IMPLIED WARRANTIES, INCLUDING THOSE OF MERCHANTABILITY AND FITNESS FOR A PARTICULAR PURPOSE, ARE LIMITED TO ONE YEAR FROM THE DATE OF PURCHASE. THIS IS THE EXCLUSIVE REMEDY AND ANY LIABILITY FOR ANY AND ALL INDIRECT OR CONSEQUENTIAL DAMAGES OR EXPENSES WHATSOEVER IS EXCLUDED.

Some states do not allow limitations on how long an implied warranty lasts, or do not allow the exclusions or limitations of incidental or consequential damages, so the above limitations might not apply to you. This limited warranty gives you specific legal rights, and you may also have other legal rights which vary from state to state.

In no event, whether as a result of breach of contract warranty, tort (including negligence) or otherwise, shall WAYNE Pumps or its suppliers be liable for any special, consequential, incidental or penal damages including, but not limited to loss of profit or revenues, loss of use of the products or any associated equipment, damage to associated equipment, cost of capital, cost of substitute products, facilities, services or replacement power, downtime costs, or claims of buyer's customers for such damages.

You **MUST** retain your purchase receipt along with this form. In the event you need to exercise a warranty claim, you **MUST** send a **copy** of the purchase receipt along with the material or correspondence. Please call WAYNE Pumps (800-237-0987) for return authorization and instructions.

DO NOT MAIL THIS FORM TO WAYNE PUMPS. Use this form only to maintain your records.

MODEL NO. _____ SERIAL NO. _____ DATE _____

ATTACH YOUR RECEIPT HERE

Veillez lire et conserver ces instructions. Ce manuel contient des instructions d'utilisation et des avertissements de sécurité importants. Il faudra s'y reporter avant d'essayer toute application ou tout entretien. Toujours conserver ce manuel avec l'appareil pour qu'il soit facilement accessible. Ne pas lire et suivre ces avertissements et ces instructions pourrait mener à des dommages à la propriété, à de graves blessures ou à la mort.

EEAUP250

DESCRIPTION

Cette pompe utilitaire, submersible et portable est conçue pour une utilisation automatique dans l'eau. Les appareils sont dotés d'un cordon d'alimentation mis à la terre de 2,74 m (9 pieds) à 3 broches. L'adaptateur de décharge fourni peut être utilisé comme accessoire pratique pour un tuyau d'arrosage.

DÉBALLAGE

Inspecter cet appareil avant de l'utiliser. À l'occasion, les produits sont endommagés durant l'expédition. Si la pompe ou les composants sont endommagés, contactez le service au client au 1-800-237-0987.

LIRE ET SUIVRE TOUTES LES INSTRUCTIONS CONSERVER CES INSTRUCTIONS - NE PAS LES JETER

DIRECTIVES DE SÉCURITÉ

Ce manuel contient de l'information importante à connaître et à comprendre. Cette information est fournie pour LA SÉCURITÉ et pour PRÉVENIR LES PROBLÈMES D'ÉQUIPEMENT. Pour aider à reconnaître cette information, consulter les symboles suivants.

▲ DANGER Danger indique une situation dangereuse imminente qui MÈNERA à la mort ou à des blessures graves si elle N'EST PAS évitée.

▲ AVERTISSEMENT Avertissement indique une situation potentiellement dangereuse qui, si elle N'EST PAS évitée, risque d'entraîner des lésions corporelles graves ou MÊME la mort.

▲ ATTENTION Attention indique une situation potentiellement dangereuse qui, si elle N'EST PAS évitée, POURRAIT risquer d'entraîner des lésions corporelles mineures ou modérées.

AVIS Notice indique de l'information importante qui POURRAIT endommager l'équipement si elle N'EST PAS respectée.

▲ Ceci est le symbole d'alerte de sécurité. Il est utilisé pour vous aviser des dangers possibles de blessures personnelles. Respectez tous les messages de sécurité qui suivent ce symbole pour éviter toutes blessures possibles ou la mort.

REMARQUE: indique de l'information qui exige une attention spéciale.

INFORMATION GÉNÉRALE SUR LA SÉCURITÉ

PROPOSITION 65 DE LA CALIFORNIE

▲ AVERTISSEMENT Ce produit ou son cordon peut contenir des produits chimiques, dont le plomb, qui de l'avis de l'État de Californie, causent le cancer et des anomalies congénitales ou autres problèmes de reproduction. Se laver les mains après toute manipulation.

GÉNÉRALITÉS SUR LA SÉCURITÉ

- Lire attentivement tous le manuel(s) inclus avec ce produit. Bien se familiariser avec les commandes et la bonne utilisation de l'équipement. Suivez toutes les instructions.
- Seules les personnes familières avec ces règles d'utilisation sans danger devraient utiliser l'appareil. Tenir hors de portée des enfants!



▲ DANGER Risque d'incendie, d'explosion et/ou de mort! Cette pompe NE convient PAS à une utilisation avec des liquides, vapeurs ou poussières inflammables/ combustibles. NE PAS pomper des fluides NON limpides. Le non-respect de ces instructions entraînera des blessures corporelles ou pertes de vies.



▲ AVERTISSEMENT Risque de décharge électrique! Cette pompe N'A PAS été testée pour une utilisation dans une piscine ou dans des secteurs marins. NE JAMAIS placer la pompe dans les piscines lorsqu'il y a des personnes dans l'eau. Le non-respect des instructions POURRAIT entraîner des pertes de vies ou des blessures graves.



▲ AVERTISSEMENT Risque de décharge électrique! NE PAS manipuler la pompe avec les mains humides ou debout dans l'eau ou sur une surface humide. Ne pas suivre ces instructions POURRAIT mener à la mort ou à de graves blessures..



▲ DANGER Danger de décharge électrique! À faire installer par un électricien qualifié seulement. Les prises à disjoncteur différentiel (GFCI) ne préviennent que la fuite de courant à la terre. Cette prise NE limite PAS la grandeur du courant en fuite et N'empêchera PAS une décharge électrique.

1. Porter des lunettes de sécurité en tout temps en travaillant avec les pompes.
2. L'appareil DOIT être branché à une prise à disjoncteur différentiel (GFCI). À faire installer par un électricien qualifié seulement.
3. Cela pourrait endommager le cordon d'alimentation ou le boyau de décharge. Utiliser la poignée fournie sur la pompe.



APPLICATION ET FONCTIONNEMENT

▲ DANGER NE PAS utiliser la pompe si toute partie du boîtier d'interrupteur ou de la sonde est fissurée, brisée ou manquante.

▲ AVERTISSEMENT Toujours couper le courant avant d'essayer d'installer, de réparer, de déplacer ou de faire tout entretien. Si la source de courant est loin de la vue, verrouiller et repérer en position ouverte (arrêt) pour éviter toute application de courant imprévue. Ne pas suivre ces instructions pourrait mener à une décharge électrique mortelle!



▲ DANGER Danger de décharge électrique. Utiliser exclusivement des rallonges homologuées par UL® (Underwriters Laboratories®), calibre 16 ou un fil de taille plus grande conçus pour les usages extérieurs. Utiliser seulement des fiches de masse polarisées. Les fiches polarisées ont une lame légèrement plus large que l'autre et ne peuvent être insérées que d'une seule manière dans la prise. NE PAS manipuler le connecteur près de l'eau. Ne pas suivre cet avertissement peut mener à de graves blessures ou à la mort.



▲ AVERTISSEMENT Cette unité N'EST PAS conçue pour l'utilisation comme une pompe de puisard ou dans les applications de puisard. Cet appareil N'EST PAS conçu pour être utilisé dans les fosses septiques ou les enceintes souterraines pour pomper les effluents ou les eaux usées. NE JAMAIS utiliser dans des endroits dangereux ou explosifs.



1. Cette pompe a été conçue avec une taille de décharge de 1-1/4 po NPT. Connecter le tuyau ou le raccord à la décharge ou utiliser l'adaptateur de tuyau d'arrosage fourni. Enfiler l'extrémité femelle du tuyau d'arrosage à l'extrémité mâle du coude.
2. S'assurer d'utiliser une rondelle de tuyau (non incluse) sur le tuyau d'arrosage pour un bon fonctionnement de la pompe.

**RAPPEL: Garder la preuve d'achat datée aux fins de garantie!
Il faudrait l'attacher à ce manuel ou la ranger en lieu sûr.**

APPLICATION ET FONCTIONNEMENT (suite)

3. Pour obtenir la meilleure performance de la pompe, dérouler le tuyau avant de démarrer la pompe. Ceci aidera à retirer tous les entortillements ou les coudes du tuyau et laissera l'appareil pomper avec moins de restriction.
4. Placer la pompe sur une surface dure, à plat dans l'eau. Ne pas placer la pompe directement sur les surfaces de boue ou de sable. Ceci bloquera le grillage d'admission.
5. Le niveau d'eau doit être d'au moins 4,4 cm (1-3/4 po) pour que la pompe cycle, s'amorce et fonctionne. Les niveaux d'eau de moins de 4,4 cm (1 3/4 po) ne permettront pas à l'impulseur d'entrer en contact avec l'eau; donc aucune eau ne sera pompée.

⚠ DANGER *NE PAS manipuler la pompe avec les mains humides ou debout dans l'eau ou sur une surface humide lorsque l'appareil fonctionne ou ne fonctionne pas. TOUJOURS débrancher le cordon d'alimentation de la pompe de la source de courant avant toute manipulation.*



6. Brancher la pompe dans une prise protégée par disjoncteur de fuite à la terre de 120 volts. La pompe démarrera automatiquement lorsque l'eau atteint une profondeur de 4,4 cm (1-3/4 po). Un délai d'amorçage de 2 secondes est programmé dans le contrôle pour donner à l'air le temps de s'échapper de la chambre de pompage.
7. La pompe s'arrêtera automatiquement lorsque l'eau est retirée à une profondeur d'environ 9,5 mm (3/8 po) au-dessus de la surface dure. La pompe ne redémarrera pas avant que la profondeur de l'eau n'atteigne 4,4 cm (1-3/4 po) ou plus.
8. La pompe ne se permettra pas de fonctionner à sec. Lorsque la pompe détecte que l'eau n'est plus retirée, elle s'arrêtera automatiquement. La pompe doit rester droite en tout temps pour que la détection d'eau fonctionne. La garniture d'étanchéité de l'arbre compte sur l'eau pour sa lubrification. Ne pas laisser la pompe fonctionner sur le côté ou inversée.

AVIS *NE PAS modifier la pompe pour contourner le détecteur d'eau automatique. La garniture d'étanchéité de l'arbre compte sur l'eau pour sa lubrification. Contourner cette fonction de la pompe peut la faire fonctionner à sec ce qui pourrait endommager la garniture d'étanchéité de l'arbre et mener à la défaillance de la pompe.*

MAINTENANCE ET DÉPANNAGE

⚠ DANGER *La pompe démarre automatiquement. Toujours couper le courant avant d'essayer d'installer, de réparer, de déplacer ou de faire tout entretien. Ne pas suivre ces instructions pourrait mener à une décharge électrique mortelle.*



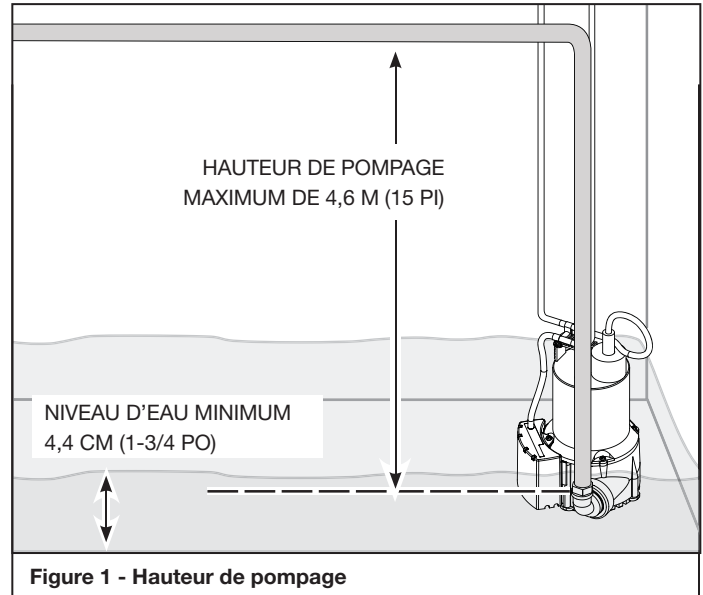
Cette pompe exige très peu d'entretien. Le boîtier du moteur de la pompe est entièrement scellée et n'exige aucun entretien. Si la pompe cesse de fonctionner, suivre les directives de dépannage suivantes:

1. Vérifier que la hauteur de pompage NE dépasse PAS 4,6 m (15 pi) (voir la Figure 1). Si la hauteur de pompage dépasse 4,6 m (15 pi), cette pompe NE fonctionnera PAS.
2. Vérifier que la profondeur de la pompe est de 4,4 cm (1-3/4 po) ou plus (voir la Figure 1).

⚠ DANGER *NE PAS démonter ou modifier ce produit de quelque manière que ce soit. Ne pas suivre cet avertissement peut mener à de graves blessures ou à la mort.*



3. Pour vérifier si la pompe fonctionne correctement.
 - a. Débrancher la pompe de la source d'alimentation.
 - b. Brancher l'adaptateur de tuyau et le tuyau de décharge à la pompe.



- c. Plonger la pompe dans un seau ou dans un contenant d'eau d'au moins 4,4 cm (1-3/4 po) de profondeur.
- d. Placer l'autre extrémité du tuyau de décharge à l'extérieur du seau pour que l'eau pompe vers l'extérieur.
- e. Brancher le cordon d'alimentation dans une prise de courant à disjoncteur de fuite à la terre de 120 volts. La pompe devrait commencer environ 2 secondes après avoir détecté de l'eau. Lorsque la pompe retire de l'eau à une profondeur de 9,5 mm (3/8 po), la pompe s'arrêtera automatiquement.
- f. Si la pompe NE fonctionne PAS, débrancher le cordon d'alimentation et passer à l'étape 5 d'entretien.

4. Pour vérifier si le tuyau de décharge est libre de tout blocage.
 - a. Raccorder le tuyau à une autre source d'eau telle qu'un robinet. Si l'eau coule à travers le tuyau, retourner à l'étape 3a. Si l'eau ne coule pas librement, vérifier si le tuyau de décharge est déroulé. Retirer tous les tortillements, les coudes, ou les obstructions dans le tuyau.
 - b. Si la pompe NE fonctionne PAS, passer à l'étape 6.
5. Il faut nettoyer périodiquement la pompe pour maintenir sa performance. Suivre les étapes de nettoyage indiquées plus bas:
 - a. Débrancher le cordon électrique.
 - b. Retirer les quatre (4) vis de base (Figure 2 de la page 7).
 - c. Retirer la base et la plaque de l'impulseur.
 - d. Retirer les débris et s'assurer que l'impulseur tourne librement.
 - e. Réinstaller la plaque de l'impulseur, la base, et les vis.
6. Vérifier le trou d'amorçage pour tout signe d'obstruction (Figure 2). Suivre les étapes de nettoyage indiquées ci-dessous:
 - a. Débrancher le cordon électrique.
 - b. Retirer les quatre (4) vis de base (Figure 2 de la page 7).
 - c. Retirer la base et la plaque de l'impulseur.
 - d. Utiliser une épingle ou un trombone pour nettoyer le trou d'amorçage et le canal d'échappement d'air.
 - e. Réinstaller la plaque de l'impulseur, la base, et les vis.
7. Si la pompe fonctionne continuellement, débrancher l'appareil. Après avoir débranché, vérifier s'il y a des débris collés à l'intérieur du corps du capteur (Figure 3 de la page 7). Retirer tous débris, saleté et feuilles coincés.

MAINTENANCE ET DÉPANNAGE (SUITE)

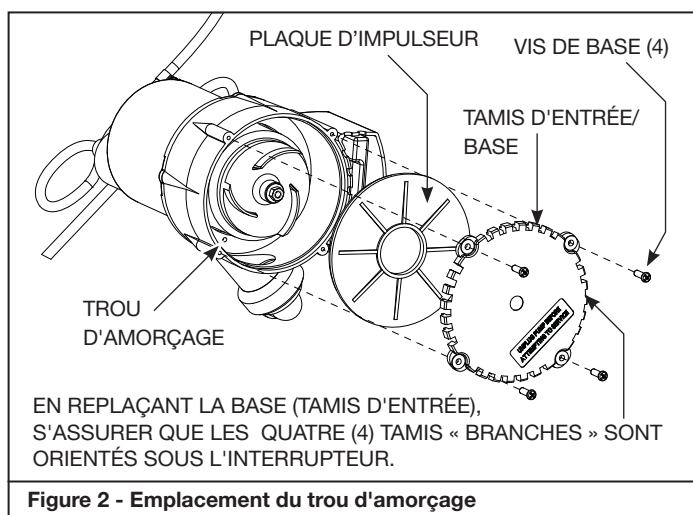


Figure 2 - Emplacement du trou d'amorçage

8. Si la pompe cycle de marche à arrêt trop souvent, il faudra peut-être nettoyer l'interrupteur électronique. Débrancher la pompe et inverser. La sonde du capteur sera visible à l'intérieur du boîtier de l'interrupteur. Nettoyer délicatement l'intérieur du boîtier en frottant avec une petite brosse en utilisant de l'eau savonneuse.

⚠ DANGER Ne pas utiliser la pompe si toute partie du boîtier d'interrupteur ou de la sonde est fissurée, brisée ou manquante.

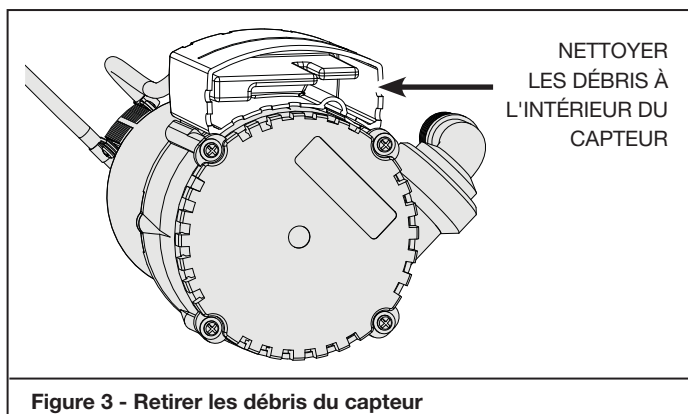


Figure 3 - Retirer les débris du capteur

HAUTEUR DE POMPAGE

Lorsque l'eau est pompée à une position élevée, tout volume qui n'a pas atteint la sortie de décharge peut revenir par la pompe lorsque la pompe est arrêtée. Ce retour d'eau peut relever le niveau d'eau dans de petits endroits pouvant mener au redémarrage de la pompe. Il faut un clapet de non-retour [Clapet de non-retour vendue séparément: 62061-007] dans ce cas. Pour le bon fonctionnement, s'assurer que le clapet de non-retour est orienté selon les instructions.

AVIS

Dans de petits endroits, il faut un clapet de non-retour pour éviter le retour d'eau. Sans clapet de non-retour, la pompe peut cyclé continuellement et user possiblement les composants de la pompe.

Tableau de dépannage **⚠ DANGER**

Risque d'électrocution! La pompe démarre automatiquement. Couper le courant avant toutes réparations. Ne pas suivre cet avertissement peut mener à de graves blessures ou à la mort.

Symptôme	Cause(s) possible(s)	Mesures corrective
La pompe ne démarre pas ou ne fonctionne pas	<ol style="list-style-type: none"> 1. Fusible résidentiel grillé 2. Disjoncteur de fuite à la terre déclenché 3. Basse tension de ligne 4. Moteur défectueux 5. Interrupteur sale 6. Impulseur obstrué 7. Tamis d'entrée bloqué 8. Trou d'amorçage bouché 	<ol style="list-style-type: none"> 1. Si grillé, remplacer en utilisant la bonne taille de fusible ou réinitialiser le disjoncteur 2. Vérifier tout signe de fil endommagé ou d'humidité 3. Si la tension est inférieure à 108 volts, vérifier la taille du câblage 4. Remplacer la pompe 5. Rincer l'interrupteur à l'eau propre (Figure 3) 6. Retirer la base et la plaque de l'impulseur (Figure 2), vérifier s'il y a des débris; nettoyer 7. Nettoyer le tamis d'entrée (Figure 2) 8. Nettoyer le trou, l'intérieur du boîtier de volute avec une épingle ou un trombone (Figure 2)
La pompe démarre et s'arrête trop souvent	<ol style="list-style-type: none"> 1. Retour d'eau de tuyauterie 2. Interrupteur sale 3. Trou d'amorçage bouché 	<ol style="list-style-type: none"> 1. Installer ou remplacer le clapet de non-retour [vendu séparément: 62061-007] 2. Rincer l'interrupteur à l'eau propre (Figure 3) 3. Nettoyer le trou, l'intérieur du boîtier de volute avec une épingle ou un trombone (Figure 2)
La pompe ne s'arrête pas ou fonctionne continuellement	<ol style="list-style-type: none"> 1. Débris dans l'interrupteur 2. Hauteur excessive de décharge 	<ol style="list-style-type: none"> 1. Rincer l'interrupteur à l'eau propre (Figure 3) 2. Relever la pompe ou réduire la hauteur de décharge
La pompe fonctionne, mais donne peu ou aucune eau	<ol style="list-style-type: none"> 1. Impulseur obstrué 2. Trou d'amorçage bouché 3. Tuyauterie obstruée 4. Hauteur de décharge dépasse la capacité 	<ol style="list-style-type: none"> 1. Retirer la base et la plaque de l'impulseur (Figure 2), vérifier s'il y a des débris; nettoyer 2. Nettoyer le trou, l'intérieur du boîtier de volute avec une épingle ou un trombone (Figure 2) 3. Vérifier s'il y a des tortillements, replacer le tuyau, vérifier s'il y a des débris 4. Replacer la pompe pour réduire la hauteur de décharge

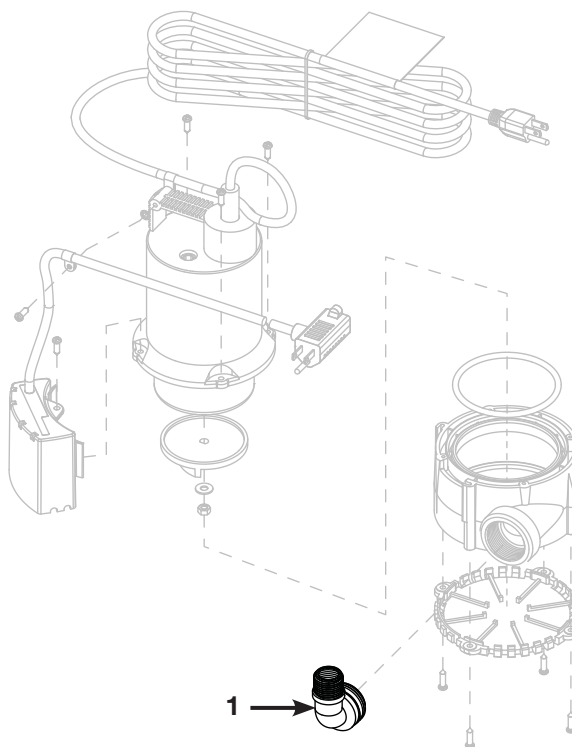
Pour les pièces de rechange ou l'assistance technique, appeler le 1-800-237-0987

Veillez fournir l'information suivante :

- Numéro de modèle
- Numéro de série (s'il y a lieu)
- Description et numéro de pièces tel qu'indiqué dans la liste des pièces

Adresser la correspondance à :
WAYNE Water Systems
101 Production Drive
Harrison, OH 45030 U.S.A.

N° de référence	Description	N° de commande	Quantité
1	Trousse d'adaptateur	62060-001	1



Garantie limitée

Pendant un an à compter de la date d'achat, WAYNE Water Systems Division (« Wayne Pumps ») va réparer ou remplacer, à sa discrétion, pour l'acheteur original toute pièce ou pièces de ses pompes à eau (« Produit ») déterminées défectueuses après examen par Wayne, en termes de matériaux ou de fabrication. Appeler WAYNE Pumps (800-237-0987) pour obtenir des instructions ou contacter votre marchand. Avoir en main le numéro de modèle et le numéro de série pour obtenir le service sous cette garantie. Tous les frais de transport des Produits ou des pièces soumises pour la réparation ou le remplacement sont la responsabilité de l'acheteur.

Cette Garantie Limitée ne couvre pas les Produits endommagés suite à un accident, mauvais traitement, mauvais usage, négligence, application inappropriée, entretien incorrect, ou ne pas faire fonctionner conformément aux instructions écrites de WAYNE Pumps.

IL N'Y A AUCUNE AUTRE GARANTIE EXPRESSE. LES GARANTIES IMPLICITES, Y COMPRIS CELLES QUI INDIQUE SI LE PRODUIT EST VENDABLE OU CONVENABLE À UN USAGE PARTICULIER, SONT LIMITÉES À UN AN À COMPTER DE LA DATE D'ACHAT CECI EST LE SEUL RECOURS ET TOUTE RESPONSABILITÉ POUR TOUT DOMMAGE INDIRECT OU CONSÉCUTIF OU DÉPENSE QUELCONQUE EST EXCLUE.

Certaines Provinces n'autorisent pas de limitations de durée pour les garanties implicites, ni l'exclusion ni la limitation des dommages fortuits ou indirects. Les limitations précédentes peuvent donc ne pas s'appliquer. Cette garantie limitée vous donne des droits légaux précis, et vous pouvez avoir d'autres droits légaux qui varient d'une juridiction à l'autre.

En aucun cas, soit par suite d'une rupture de contrat de garantie, acte dommageable (y compris la négligence) ou autre, ni WAYNE Pumps ni ses fournisseurs ne seront responsables de tout dommage spécial, consécutif, indirect ou punitif, y compris, mais sans s'y limiter à la perte de profits ou recettes, la perte d'usage des produits ou de tout équipement associé, dommage à l'équipement associé, coût de capital, coût de produits de remplacement, aménagements, services ou capacité de remplacement, coût de temps que le produit n'est pas en service, ou la réclamation des clients de l'acheteur pour ces dommages.

Il **FAUT** conserver le reçu d'achat ainsi que ce formulaire. S'il faut présenter une réclamation de garantie, il **FAUT** envoyer une **copie** du reçu d'achat en plus du matériel ou de la correspondance. Veuillez appeler WAYNE Pumps (800-237-0987) pour l'autorisation et instructions concernant le renvoi.

NE PAS POSTER CE FORMULAIRE À WAYNE PUMPS. Utiliser ce formulaire seulement pour vos dossiers.

NUMÉRO DU MODÈLE _____ NUMÉRO DE SÉRIE _____ DATE _____

ATTACHER LE REÇU ICI

WAYNE® Bomba portátil, de encendido-apagado automático, para remoción de agua

MANUAL DE INSTRUCCIONES DE FUNCIONAMIENTO Y PIEZAS DE REPUESTO

Lea y conserve estas instrucciones. Este manual contiene Advertencias de seguridad e Instrucciones de funcionamiento. Usted tiene que referirse a estas advertencias antes de intentar cualquier aplicación o mantenimiento. Guarde siempre este manual junto con la unidad para que sea fácilmente accesible. El no respetar estas advertencias puede dar como resultado la muerte o lesiones graves y/o daños a la propiedad.

EEAUP250

DESCRIPCIÓN

Esta bomba portátil sumergible de uso general está diseñada para uso automático en agua. Las unidades están equipadas con un cable de corriente de 2,74 m (9 pies) con enchufe de tres clavijas con conexión a tierra. El adaptador de descarga proporcionado puede ser usado para conectarse fácilmente a una manguera de jardín.

DESEMPAQUE

Inspeccione esta unidad antes de usarla. Ocasionalmente, los productos se dañan durante el envío. Si la bomba o los componentes están dañados, comuníquese con servicio al cliente en 1-800-237-0987.

**LEA Y SIGA TODAS LAS INSTRUCCIONES
GUARDE ESTAS INSTRUCCIONES — NO LAS DESECHE**

PAUTAS DE SEGURIDAD

Este manual contiene información de importancia para que usted conozca y entienda. Esta información es proporcionada por SEGURIDAD y para EVITAR PROBLEMAS CON EL EQUIPO. Para ayudar a reconocer esta información, observe los siguientes símbolos.

▲ PELIGRO Peligro indica una situación inminentemente peligrosa, la cual, si NO se evita, TENDRÁ como resultado la muerte o una lesión grave.

▲ ADVERTENCIA Advertencia indica una situación potencialmente peligrosa, la cual, si NO se evita, PODRÍA resultar en la muerte o una lesión grave.

▲ PRECAUCIÓN Precaución indica una situación potencialmente peligrosa la cual, si NO se evita, PUEDE resultar en una lesión leve o moderada.

AVISO Aviso indica información importante, que si NO se respeta, PUEDE causar daño al equipo.

▲ Éste es el símbolo de alerta de seguridad. Se utiliza para alertarle sobre los posibles peligros de lesiones corporales. Obedezca todos los mensajes de seguridad que siguen a este símbolo para evitar posibles lesiones o la muerte.

NOTA: indica información que requiere atención especial.

INFORMACIÓN GENERAL DE SEGURIDAD

PROPOSICIÓN 65 DE CALIFORNIA

▲ ADVERTENCIA Este producto o su cable de corriente pueden contener químicos, incluido plomo, que son conocidos por el Estado de California como causante de cáncer y defectos de nacimiento u otros daños reproductivos. Lávese las manos luego de manipularlo.

SEGURIDAD GENERAL

- Lea atentamente todos el manual(es) incluidos con este producto. Familiarícese bien con los controles y el uso correcto del equipo. Siga todas las instrucciones.
- Sólo se les debe permitir usar esta unidad a aquellas personas bien familiarizadas con estas reglas de manejo seguro. Mantener alejado de los niños!



▲ PELIGRO ¡Riesgo de incendio, explosión y/o muerte! La bomba NO tiene la capacidad para ser utilizada con polvos, vapores o líquidos inflamables/ combustibles. NO bombee líquidos que NO estén libres de impurezas. No seguir estas instrucciones ocasionará lesiones corporales o la muerte.



▲ ADVERTENCIA ¡Riesgo de choque eléctrico! Esta bomba no ha sido probada para uso en piscinas o en áreas marinas. No coloque NUNCA la bomba en una piscina cuando haya personas en el agua. No seguir las instrucciones PODRÍA ocasionar la muerte o lesiones graves.



▲ ADVERTENCIA ¡Riesgo de choque eléctrico! NO manipule la bomba con las manos mojadas ni cuando se encuentre apoyada en agua o sobre una superficie húmeda. No seguir las instrucciones PODRÍA ocasionar la muerte o lesiones graves.



▲ PELIGRO ¡Riesgo de choque eléctrico! La instalación debe realizarla solamente un electricista capacitado. Los tomacorrientes GFCI (Ground Fault Circuit Interrupter) brindarán protección contra las fallas de la línea a la conexión a tierra solamente. El tomacorriente de falla de conexión a tierra NO limita la magnitud de la falla de corriente y NO impide un choque eléctrico.

1. Use gafas de seguridad en todo momento al trabajar con bombas.
2. La unidad DEBE estar conectada a GFCI. La instalación debe realizarla solamente un electricista capacitado.
3. Esto puede provocar daños en el cable de corriente o en la manguera de descarga. Use el mango que se proporciona en la bomba.



APLICACIÓN Y FUNCIONAMIENTO

▲ PELIGRO NO use la bomba si alguna parte del interruptor, la caja o la sonda estuviera rajada, rota o faltara.

▲ ADVERTENCIA Siempre desconecte la fuente de electricidad antes de intentar instalar, efectuar un servicio, reubicar o realizar cualquier tipo de mantenimiento. Si la fuente de energía está fuera de la vista, tránquela y etiquétela en la posición abierta (off) para evitar que se aplique corriente en forma inesperada. Si no lo hace, puede provocar un choque eléctrico mortal.



▲ PELIGRO Riesgo de choque eléctrico. Utilice sólo un cable de extensión con clasificación Underwriters Laboratories (UL) de calibre 16 o un cable más largo que tenga indicación para uso en el exterior. Utilice sólo enchufes con conexión a tierra, polarizados. Los enchufes polarizados tienen una clavija ligeramente más ancha que la otra y sólo pueden colocarse de una manera en un tomacorriente. NO manipule el conector del enchufe cerca del agua. No seguir estas instrucciones ocasionará lesiones graves o la muerte.



▲ ADVERTENCIA Esta unidad NO está diseñada para uso bomba de sumidero o en aplicaciones de sumidero como. Esta unidad NO está diseñada para usar en tanques sépticos ni sótanos subterráneos para bombear aguas residuales o efluentes. NUNCA la utilice en ubicaciones peligrosas u explosivas.



1. Esta bomba fue diseñada con un tamaño de conexión de descarga de 1-1/4 pulg. NPT. Conecte la tubería o la conexión a la descarga o use el adaptador para manguera

RECORDATORIO: conserve su prueba de compra fechada para la garantía.
Adjúntela a este manual o archívela para conservarla de forma segura.

APLICACIÓN Y FUNCIONAMIENTO (continuación)

- de jardín que se suministra. Enrosque el extremo hembra de la manguera de jardín al extremo macho del codo.
- Asegúrese de usar una arandela para mangueras (no se incluye) en la manguera de jardín para un funcionamiento correcto de la bomba.
 - Para un mejor rendimiento de la bomba, desenrosque la manguera antes de encender la bomba. Esto ayudará a eliminar cualquier pliegue o acodamiento en la manguera y permitirá que la unidad bombee con menos restricciones.
 - Coloque la bomba sobre una superficie dura y plana en el agua. No coloque la bomba directamente sobre una superficie lodosa o arenosa. Esto obstruirá el filtro de entrada.
 - El nivel del agua debe ser de al menos 4,4 cm (1-3/4 pulg.) para que la bomba se pueda hacer funcionar en ciclos, cebar y funcionar. Los niveles de agua inferiores a 4,4 cm (1-3/4 pulg.) no permitirán que el impulsor entre en contacto con el agua; en consecuencia no se bombeará agua.

⚠ PELIGRO *NO manipule la bomba con las manos mojadas o si está parado en una superficie húmeda o con agua cuando la unidad esté en funcionamiento o tenga fallas de funcionamiento. SIEMPRE desconecte el cable de corriente de la bomba de la fuente de energía antes de manipular.*



- Enchufe la bomba en un tomacorriente con conexión a tierra GFCI de 120 voltios. La bomba se iniciará automáticamente cuando el agua llegue a una profundidad de 4,4 cm (1-3/4 pulg.). Un retraso de cebado de 2 segundos está programado en el control para dar tiempo a que el aire salga de la cámara de bombeo.
- La bomba se detendrá automáticamente una vez que se haya extraído el agua hasta una profundidad de aproximadamente 9,5 mm (3/8 pulg.) por encima de la superficie dura. La bomba no volverá a encenderse hasta que la profundidad del agua no llegue a 4,4 cm (1-3/4 pulg.) o más.
- La bomba no funcionará sin líquido. Una vez que la bomba detecta que el agua ya no se extrae, se apagará automáticamente. La bomba debe permanecer en posición vertical en todo momento para que la detección de agua funcione. El sello del eje depende del agua para su lubricación. No permita que la bomba funcione de costado o invertida.

AVISO *NO altere la bomba ni superponga el detector automático de agua. El sello del eje depende del agua para su lubricación. Superponer esta función de la bomba puede hacer que la misma funcione sin líquido y puede dañar el sello del eje y causar el fallo de la bomba.*

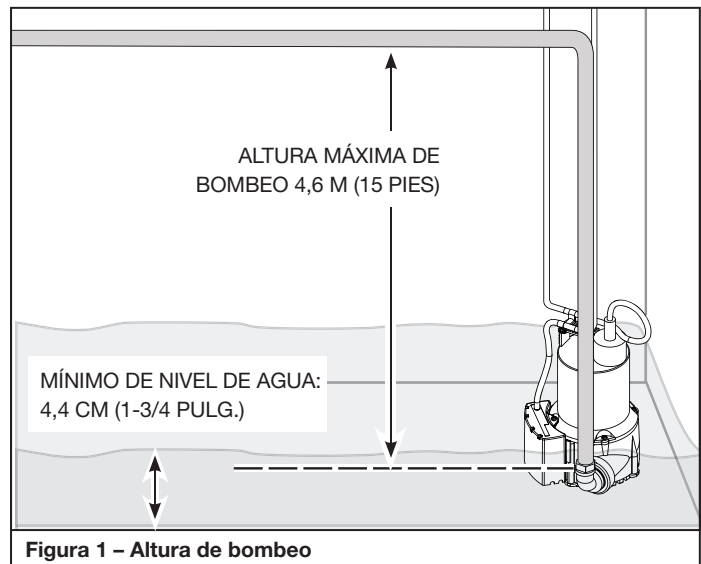
MANTENIMIENTO Y RESOLUCIÓN DE PROBLEMAS

⚠ ADVERTENCIA *La bomba se inicia automáticamente. Siempre desconecte la fuente de electricidad antes de intentar instalar, efectuar un servicio, reubicar o realizar cualquier tipo de mantenimiento. Si no lo hace puede provocar un choque eléctrico mortal.*



Se requiere un servicio mínimo para esta bomba. La caja del motor de la bomba está completamente sellada y no requiere servicio. Si la bomba no funciona, siga estas pautas de diagnóstico y resolución de problemas:

- Verifique que la altura de bombeo NO supere los 4,6 m (15 pies) (vea la Figura 1). Si la altura de bombeo es mayor a 4,6 m (15 pies), esta bomba NO funcionará.
- Verifique que la profundidad del agua sea de 4,4 cm (1-3/4 pulg.) o más (ver Figura 1).

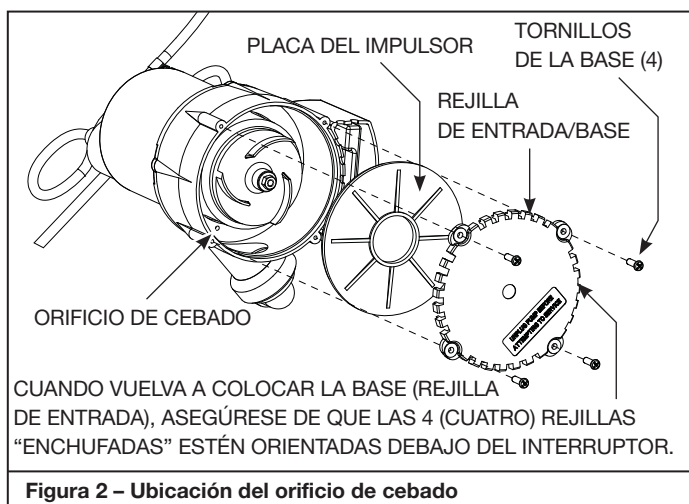


⚠ PELIGRO *NO desarme o altere este producto de ninguna manera. No seguir estas instrucciones ocasionará lesiones graves o la muerte.*

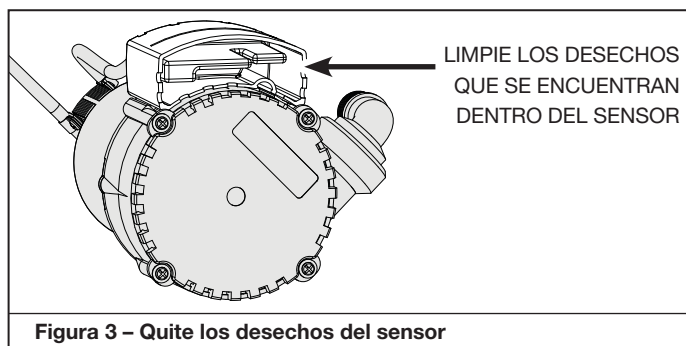


- Para verificar que la bomba está funcionando correctamente.
 - Desconecte la bomba de la fuente de energía.
 - Conecte el adaptador de la manguera y la manguera de descarga a la bomba.
 - Sumerja la bomba en un cubo o tina de agua con por lo menos 4,4 cm (1-3/4 pulg.) de profundidad.
 - Coloque el otro extremo de la manguera de salida fuera del cubo, de forma que el agua se bombee hacia afuera.
 - Enchufe el cable de corriente en un tomacorriente con conexión a tierra GFCI de 120 voltios. La bomba debería encenderse 2 segundos después de detectar el agua. Una vez que la bomba extraiga agua a una profundidad de 9,5 mm (3/8 pulg.), se detendrá automáticamente.
 - Si la bomba NO funciona, desenchufe el cable de corriente y prosiga al mantenimiento; paso 5 a continuación.
- Para verificar que la manguera de descarga no tenga obstrucciones.
 - Conecte la manguera a otra fuente de agua, como un grifo. Si el agua fluye a través de la manguera, vuelva al paso 3a. Si el agua no fluye, verifique que la manguera de descarga no esté enroscada. Elimine todos los pliegues, acodamientos, o obstrucciones de la manguera.
 - Si la bomba aún NO funciona, siga al paso 6, a continuación.
- Se requiere una limpieza periódica para mantener el buen funcionamiento de la bomba. Siga los pasos de limpieza que se detallan a continuación:
 - Desenchufe el cable de corriente.
 - Quite los 4 (cuatro) tornillos de la base (Figura 2; página 11).
 - Quite la base y la placa del propulsor.
 - Elimine los desechos y asegúrese de que el impulsor gire libremente.
 - Vuelva a colocar la placa del impulsor, la base, y los tornillos.
- Verifique que el orificio de cebado no esté obstruido (Figura 2). Siga los pasos de limpieza que se detallan a continuación:
 - Desenchufe el cable de corriente.
 - Quite los 4 (cuatro) tornillos de la base (Figura 2).
 - Quite la base y la placa del propulsor.
 - Use un pasador o gancho para papel para limpiar el orificio de cebado y el canal de salida de aire.
 - Vuelva a colocar la placa del impulsor, la base, y los tornillos.

MANTENIMIENTO Y RESOLUCIÓN DE PROBLEMAS (continuación)



- Si la bomba funciona de forma continua, desenchufe la unidad. Una vez desenchufada, verifique que no haya desechos trancados dentro del cuerpo del sensor (Figura 3). Quite las hojas, desechos o tierra que estén trancados.
- Si la bomba funciona en ciclos que se encienden y se apagan a menudo es posible que sea necesario limpiar el interruptor electrónico. Desenchufe la bomba y déla vuelta. La sonda del sensor estará visible dentro de la caja del interruptor. Limpie dentro de la caja cepillando suavemente con un cepillo pequeño con agua y jabón.



⚠ PELIGRO No use la bomba si alguna parte del interruptor, la caja o la sonda estuviera rajada, rota o faltara.

ALTURA DE BOMBEO

Cuando se bombea el agua a una posición elevada, cualquier volumen que no haya llegado a la salida de descarga puede volver a fluir por la bomba cuando la misma se apaga. Este reflujo puede hacer que el nivel de agua en áreas pequeñas suba lo suficiente para volver a encender la bomba. En esta situación es necesaria una válvula de retención [Válvula de retención vendidos por separado: 62061-001]. Por un funcionamiento correcto, asegúrese de que la válvula de retención esté orientada según las instrucciones.

AVISO En áreas pequeñas es necesaria una válvula de retención para evitar el reflujo. Sin una válvula de retención la bomba puede funcionar continuamente en ciclo y posiblemente desgastar componentes de la bomba.

Tabla de diagnóstico y resolución de problemas

⚠ PELIGRO

¡Peligro de electrocución! La bomba se inicia automáticamente. Desconecte la energía antes de intentar realizar cualquier reparación. Si no lo hace podría ocasionarle lesiones graves o la muerte.

Síntoma	Causa(s) posible(s)	Acciones a tomar
La bomba no enciende o no funciona	<ol style="list-style-type: none"> Fusible eléctrico de la casa quemado El GFCI se disparó Bajo voltaje Motor defectuoso Interruptor sucio Impulsor obstruido Rejilla de entrada obstruida Orificio de cebado obstruido 	<ol style="list-style-type: none"> Si está quemado, cámbielo por un fusible del tamaño correcto o reajuste el disyuntor Verifique que no existan cables dañados ni humedad Si el voltaje está por debajo de 108 voltios, verifique el tamaño del cable Reemplace la bomba Enjuague el interruptor con agua limpia (Figura 3) Quite la base y la placa del impulsor (Figura 2), verifique que no tengan residuos; limpie Limpie la rejilla de entrada (Figura 2) Limpie el orificio, dentro de la caja del espiral, con un pasador o un gancho para papel (Figura 2)
La bomba se prende y se detiene con demasiada frecuencia	<ol style="list-style-type: none"> Reflujo de agua desde la tubería Interruptor sucio Orificio de cebado obstruido 	<ol style="list-style-type: none"> Instale o cambie la válvula de retención [se vende por separado: 62061-001] Enjuague el interruptor con agua limpia (Figura 3) Limpie el orificio, dentro de la caja del espiral, con un pasador o un gancho para papel (Figura 2)
La bomba no se apaga o funciona de forma continua	<ol style="list-style-type: none"> Residuos en el interruptor La altura de descarga excede la capacidad 	<ol style="list-style-type: none"> Enjuague el interruptor con agua limpia (Figura 3) Eleve la bomba o reduzca la altura de descarga
La bomba funciona pero sale muy poca agua o nada	<ol style="list-style-type: none"> Impulsor obstruido Orificio de cebado obstruido Tubería obstruida La altura de descarga excede la capacidad 	<ol style="list-style-type: none"> Quite la base y la placa del impulsor (Figura 2), verifique que no tengan residuos; limpie Limpie el orificio, dentro de la caja del espiral, con un pasador o un gancho para papel (Figura 2) Verifique que no tenga pliegues, cambie de lugar la manguera, verifique que no tenga residuos Cambie de lugar la bomba para reducir la altura de descarga

Para obtener piezas de repuesto o asistencia técnica llame al 1-800-237-0987

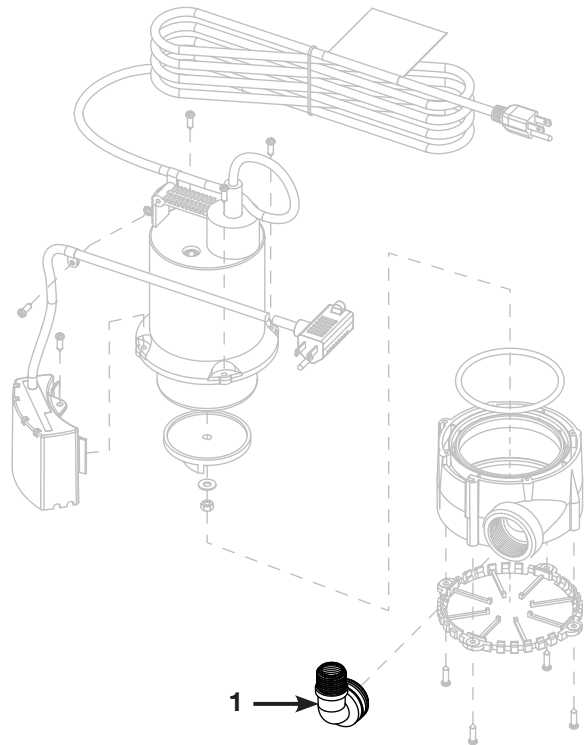
Proporcione la siguiente información:

- Número de modelo
- Número de Serie (de haberlo)
- Descripción y número del repuesto según la lista de repuestos

Dirija su correspondencia sobre repuestos a:

WAYNE Water Systems
101 Production Drive
Harrison, OH 45030 U.S.A.

N.º de Ref.	Descripción	N.º de pedido	Cantidad
1	Juego de adaptador	62060-001	1



Garantía limitada

Durante un año a partir de la fecha de compra, WAYNE Water Systems Division ("WAYNE Pumps") reparará o reemplazará, según lo decida, para el comprador original, cualquier pieza o piezas de sus Bombas de agua ("Producto") que después de un examen sean halladas por Wayne como defectuosas en su material o mano de obra. Sírvase llamar a WAYNE Pumps (800-237-0987) para obtener instrucciones o consulte a su distribuidor. Esté listo para proporcionar los números de modelo y de serie cuando ejerza el derecho a esta garantía. Todos los gastos de transporte de los productos o piezas enviadas para su reparación o reemplazo serán de cargo del comprador.

Esta Garantía limitada no cubre Productos que estén dañados debido a accidentes, abuso, uso indebido, negligencia, aplicación incorrecta, mantenimiento inadecuado, o no hacerlo funcionar según las instrucciones escritas de WAYNE Pumps.

NO EXISTE NINGUNA OTRA GARANTÍA EXPRESA. LAS GARANTÍAS IMPLÍCITAS, INCLUIDAS AQUELLAS DE COMERCIALIZACIÓN Y APTITUD PARA UN PROPÓSITO EN PARTICULAR, ESTÁN LIMITADAS A UN AÑO A PARTIR DE LA FECHA DE COMPRA. ESTE ES EL RECURSO EXCLUSIVO Y SE EXCLUYE CUALQUIER RESPONSABILIDAD POR TODO Y CUALQUIER DAÑO INDIRECTO O CONSECUENTE O GASTOS AFINES.

Ciertos estados no permiten limitaciones sobre el período de duración de las garantías implícitas, ni permiten las exclusiones ni limitaciones de los daños incidentales o consecuentes, de forma que las limitaciones mencionadas anteriormente pueden no aplicarse a usted. Esta garantía limitada le otorga derechos legales específicos y también puede tener otros derechos legales que pueden variar dependiendo del estado.

Bajo ningún concepto, ya sea por incumplimiento del contrato de garantía, incumplimiento extracontractual (incluyendo negligencia) u otro, WAYNE Pumps o sus proveedores serán responsables de ningún daño especial, consecuente, incidental o penal, incluyendo, pero sin limitarse a pérdida de ganancias, pérdida de uso del producto o cualquier equipo asociado, daños al equipo asociado, costo de capital, costo de productos sustitutos, instalaciones, poderes de servicio o reemplazo, costos de inutilidad, o reclamos de clientes del comprador por dichos daños.

Usted **DEBE** conservar su recibo de compra junto con este formulario. En caso de tener que ejercer un reclamo de garantía, **DEBE** enviar una **copía** del recibo de compra junto al material o correspondencia. Sírvase llamar a WAYNE Pumps (800-237-0987) para obtener autorizaciones e instrucciones de devolución.

NO ENVÍE ESTE FORMULARIO A WAYNE PUMPS. Utilice este formulario sólo para su registro.

N.º DE MODELO _____ N.º DE SERIE _____ FECHA _____

ADJUNTE AQUÍ SU RECIBO

Free Manuals Download Website

<http://myh66.com>

<http://usermanuals.us>

<http://www.somanuals.com>

<http://www.4manuals.cc>

<http://www.manual-lib.com>

<http://www.404manual.com>

<http://www.luxmanual.com>

<http://aubethermostatmanual.com>

Golf course search by state

<http://golfingnear.com>

Email search by domain

<http://emailbydomain.com>

Auto manuals search

<http://auto.somanuals.com>

TV manuals search

<http://tv.somanuals.com>