

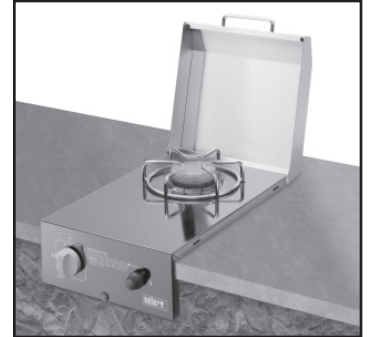
SUMMIT[®]



Built-In LP Side Burner Installation/Owner's Guide

GUÍA DEL PROPIETARIO DEL ASADOR DE GAS LICUADO DE PROPANO - PG 15
GUIDE DE L'UTILISATEUR DU GRILL À GAZ PL - PG 29

#89796



THESE ACCESSORIES MAY BE PURCHASED SEPARATELY.

**YOU MUST READ THIS OWNER'S GUIDE
BEFORE OPERATING YOUR GAS GRILL**

⚠ DANGER

If you smell gas:

1. Shut off gas to the appliance.
2. Extinguish any open flames.
3. Open lid.
4. If odor continues, keep away from the appliance and immediately call your gas supplier or your fire department.

Leaking gas may cause a fire or explosion which can cause serious bodily injury or death, or damage to property.

⚠ WARNING:

1. Do not store or use gasoline or other flammable liquids or vapors in the vicinity of this or any other appliance.
2. An LP cylinder not connected for use shall not be stored in the vicinity of this or any other appliance.

⚠ **WARNING:** Follow all leak-check procedures carefully in this manual prior to barbecue operation. Do this even if the barbecue was dealer-assembled.

NOTICE TO INSTALLER: These instructions must be left with the owner and the owner should keep them for future use.

**THIS GAS APPLIANCE IS DESIGNED FOR
OUTDOOR USE ONLY.**

⚠ **WARNING:** Do not try to light this appliance without reading the "Lighting Instructions" section of this manual.



89796 US 03/03/08
LP

⚠ DANGER

Failure to follow the Dangers, Warnings and Cautions contained in this Owner's Manual may result in serious bodily injury or death, or in a fire or an explosion causing damage to property.

⚠ WARNINGS

- ⚠ Do not store a spare or disconnected liquid propane cylinder under or near this barbecue.
- ⚠ Improper assembly may be dangerous. Please follow the assembly instructions carefully.
- ⚠ After a period of storage, and/or nonuse, the Weber® gas barbecue should be checked for gas leaks and burner obstructions before use. See instructions in this manual for correct procedures.
- ⚠ Do not operate the Weber® gas barbecue if there is a gas leak present.
- ⚠ Do not use a flame to check for gas leaks.
- ⚠ Combustible materials should never be within 24 inches (61 cm) of the back or sides of your Weber® gas barbecue.
- ⚠ Do not put a barbecue cover or anything flammable on, or in the storage area under the barbecue.
- ⚠ Your Weber® gas barbecue should never be used by children. Accessible parts of the barbecue may be very hot. Keep young children away while it is in use.
- ⚠ You should exercise reasonable care when operating your Weber® gas barbecue. It will be hot during cooking or cleaning and should never be left unattended, or moved while in operation.
- ⚠ Should the burners go out while in operation, turn all gas valves off. Open the lid and wait five minutes before attempting to relight, using the lighting instructions.
- ⚠ Do not use charcoal or lava rock in your Weber® gas barbecue.
- ⚠ Never lean over open grill or place hands or fingers on the front edge of the cooking box.
- ⚠ Should a grease fire occur, turn off all burners and leave lid closed until fire is out.
- ⚠ Do not enlarge valve orifices or burner ports when cleaning the valves or burners.
- ⚠ The Weber® gas barbecue should be thoroughly cleaned on a regular basis.
- ⚠ Liquid propane gas is not natural gas. The conversion or attempted use of natural gas in a liquid propane unit or liquid propane gas in a natural gas unit is dangerous and will void your warranty.
- ⚠ Do not attempt to disconnect any gas fitting while your barbecue is in operation.
- ⚠ Use heat-resistant barbecue mitts or gloves when operating barbecue.
- ⚠ Keep any electrical supply cord and the fuel supply hose away from any heated surfaces.
- ⚠ Combustion byproducts produced when using this product contain chemicals known to the state of California to cause cancer, birth defects, or other reproductive harm.
- ⚠ Do not use this barbecue unless all parts are in place. The unit must be properly assembled according to the assembly instructions.
- ⚠ Proposition 65 Warning: Handling the brass material on this product exposes you to lead, a chemical known to the state of California to cause cancer, birth defects or other reproductive harm.
(Wash hands after handling this product.)

LIQUID PROPANE GAS UNITS ONLY:

- ⚠ Use the pressure regulator and hose assembly that is supplied with your Weber® gas barbecue.
- ⚠ Do not attempt to disconnect the gas regulator and hose assembly or any gas fitting while your barbecue is in operation.
- ⚠ A dented or rusty liquid propane cylinder may be hazardous and should be checked by your liquid propane supplier. Do not use a liquid propane cylinder with a damaged valve.
- ⚠ Although your liquid propane cylinder may appear to be empty, gas may still be present, and the cylinder should be transported and stored accordingly.
- ⚠ If you see, smell or hear the hiss of escaping gas from the liquid propane cylinder:
 1. Move away from liquid propane cylinder.
 2. Do not attempt to correct the problem yourself.
 3. Call your fire department.

WARRANTY

Weber-Stephen Products Co. (Weber) hereby warrants to the ORIGINAL PURCHASER of this Weber® gas grill that it will be free of defects in material and workmanship from the date of purchase as follows:

Stainless Steel Lid,	10 years
All Remaining Parts,	5 years

When assembled and operated in accordance with the printed instructions accompanying it. Weber may require reasonable proof of your date of purchase. THEREFORE, YOU SHOULD RETAIN YOUR SALES SLIP OR INVOICE.

This Limited Warranty shall be limited to the repair or replacement of parts that prove defective under normal use and service and which on examination shall indicate, to Weber's satisfaction, they are defective. Before returning any parts, contact the Customer Service Representative in your area using the contact information on our website. If Weber confirms the defect and approves the claim, Weber will elect to replace such parts without charge. If you are required to return defective parts, transportation charges must be prepaid. Weber will return parts to the purchaser, freight or postage prepaid.

This Limited Warranty does not cover any failures or operating difficulties due to accident, abuse, misuse, alteration, misapplication, vandalism, improper installation or improper maintenance or service, or failure to perform normal and routine maintenance, including but not limited to damage caused by insects within the burner tubes, as set out in this owner's manual.

Deterioration or damage due to severe weather conditions such as hail, hurricanes, earthquakes or tornadoes, discoloration due to exposure to chemicals either directly or in the atmosphere, is not covered by this Limited Warranty.

There are no other express warranties except as set forth herein and any applicable implied warranties of merchantability and fitness are limited in duration to the period of coverage of this express written Limited Warranty. Some regions do not allow limitation on how long an implied warranty lasts, so this limitation may not apply to you.

Weber is not liable for any special, indirect or consequential damages. Some regions do not allow the exclusion or limitation of incidental or consequential damages, so this limitation or exclusion may not apply to you.

Weber does not authorize any person or company to assume for it any other obligation or liability in connection with the sale, installation, use, removal, return, or replacement of its equipment; and no such representations are binding on Weber.

This Warranty applies only to products sold at retail.

WEBER-STEPHEN PRODUCTS CO.

Customer Service Center
1890 Roselle Road, Suite 308
Schaumburg, IL 60195
USA

For replacement parts call:

1-800-446-1071
www.weber.com

OPERATING

Liquid Propane (LP) gas supply is easy to use and gives you more cooking control than charcoal fuel.

- These instructions will give you the minimum requirements for assembling your Weber® gas barbecue. Please read the instructions carefully before using your Weber® gas barbecue. Improper assembly can be dangerous.
- Not for use by children.
- If there are local codes that apply to portable gas grills, you will have to conform to them. Installation must conform with local codes or, in the absence of local codes, with either the National Fuel Gas Code, ANSI Z223.1/NFPA 54, Natural Gas and Propane Installation Code, CSA B149.1, or Propane Storage and Handling Code, B149.2 as applicable.
- The pressure regulator supplied with the Weber® gas barbecue must be used. This regulator is set for 11 inches of water column (pressure).
- This Weber® gas barbecue is designed for use with liquid propane (LP) gas only. Do not use with natural (piped in city) gas. The valves, orifices, hose and regulator are for LP gas only.
- Do not use with charcoal fuel.
- Check that the area under the control panel and the bottom tray are free from debris that might obstruct the flow of combustion or ventilation air.
- The areas around the LP cylinder must be free and clear from debris.
- Replacement pressure regulators and hose assemblies must be those specified by Weber-Stephen Products Co.

FOR INSTALLATION IN CANADA

These instructions, while generally acceptable, do not necessarily comply with the Canadian Installation codes, particularly with piping above and below ground. In Canada the installation of this appliance must comply with local codes and/or Standard CSA-B149.2 (Propane Storage and Handling Code).

- ⚠ **WARNING: Only use this barbecue outdoors in a well-ventilated area. Do not use in a garage, building, breezeway or any other enclosed area.**
- ⚠ **WARNING: Your Summit® Built-In gas barbecue shall not be used under an unprotected combustible roof or overhang.**
- ⚠ **WARNING: Do not use the barbecue within 24 inches (610 mm) of combustible materials, top, bottom, back or sides of the grill.**
- ⚠ **WARNING: The entire cooking box gets hot when in use. Do not leave unattended.**
- ⚠ **WARNING: Keep any electrical supply cord and the fuel supply hose away from any heated surface.**
- ⚠ **WARNING: Keep the cooking area clear of flammable vapors and liquids such as gasoline, alcohol, etc., and combustible materials.**
- ⚠ **WARNING: Never store an extra (spare) LP cylinder under or near the Weber® gas barbecue.**
- ⚠ **WARNING: Keep the ventilation openings of the cylinder enclosure free and clear of debris.**
- ⚠ **WARNING: Turn off the gas at the LP gas supply cylinder when the outdoor cooking gas appliance is not in use.**
- ⚠ **WARNING: Never store an outdoor cooking gas appliance indoors unless the LP cylinder is disconnected and removed from the outdoor cooking gas appliance.**
- ⚠ **WARNING: LP cylinders must be stored outdoors out of the reach of children and must not be stored in a building, garage, or any other enclosed area.**

LOCATING YOUR BUILT-IN SIDE BURNER

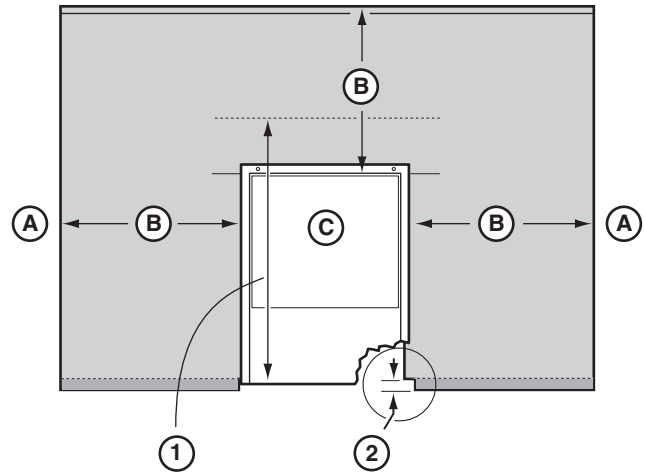
When determining a suitable location for your Built-In Side Burner installation, give attention to concerns such as exposure to wind, proximity to traffic paths, and keeping any gas supply lines as short as possible. Never locate the Summit™ Built-In Side Burner in a garage, breezeway, shed, under an unprotected overhang, or other enclosed area. Locate the Side Burner and structure so there is enough room to safely evacuate the area in case of a fire.

CLEARANCE FROM COMBUSTIBLE SURFACES OR STRUCTURES

⚠ WARNING: Clearance from the outside walls of the sides and back of the Built-In Side Burner must be a minimum of 24 inches (61 cm) any surface. Refer to “Typical Gas Supply Installation” before starting installation.

⚠ WARNING: The structure, “island” counter tops and adjacent work areas for the Built-In Side Burner installation must be built from noncombustible materials only.

NOTE: If you have questions on what materials are considered noncombustible, contact your local building supplier or fire department.

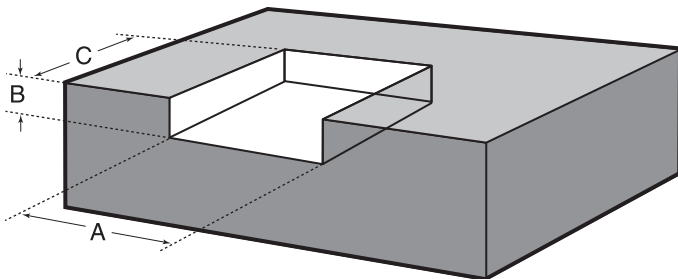


SIDE BURNER LOCATION

A	Any Surface
B	24" (61 cm) From Any Surface
C	Side Burner
1	24" (61 cm) Minimum Lid Clearance
2	Note: For a countertop treatment: Recommended 3/4" (19 mm) overhang. Notch front edge for frame to fully slide in.

BUILT-IN STRUCTURE CUTOUT DIMENSIONS

All dimensions are to finished surfaces.



⚠ WARNING: All counter top finished surfaces must be constructed of a noncombustible material.

SIDE BURNER

	Cut out Dimensions	Tolerances
A	10 1/2" (26.7 cm)	+ 1/4" - 1/4" (6.35mm)
B	3 3/4" (9.5 cm)	+ 1/4" - 1/4" (6.35mm)
C	16 1/4" (41.3 cm)	+ 1/4" - 1/4" (6.35mm)

BUILT-IN GAS LINE LOCATIONS

GENERAL CONSTRUCTION DETAILS

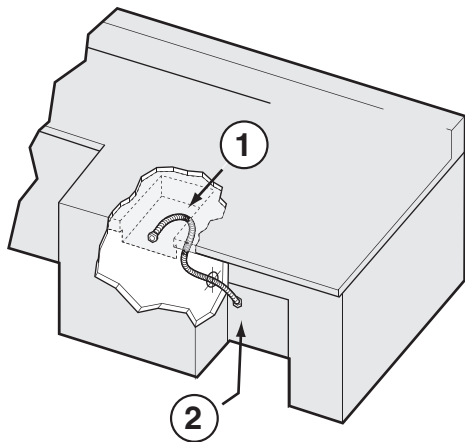
- Summit[®] Built-In side burner unit should be on site before construction begins.
- All dimensions have a tolerance of plus or minus +/- 1/4" inch (6.35 mm).

Provide access for a corrugated gas line depending on the location of the side burner in relation to your main gas supply and regulator position.

Area should be kept clear of sharp, jagged, or extremely abrasive surfaces to avoid possible damage to gas supply lines. Exercise caution when pulling gas lines through built-in structure.

A 3/8 inch (9.52 mm) stainless steel corrugated gas line should be used to connect the side burner to the regulator accessory coupling.

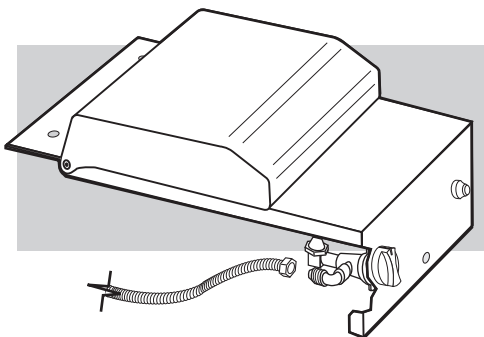
⚠WARNING: Do not use a rubber gas hose.



GAS LINE LOCATIONS	
1	3/8" (9.52 cm) SAE Stainless Corrugated Gas Line
2	Typical Tank Cabinet Location

MOUNTING THE SIDE BURNER

Connect the corrugated gas line to the side burner valve located on the back right hand side of side burner.



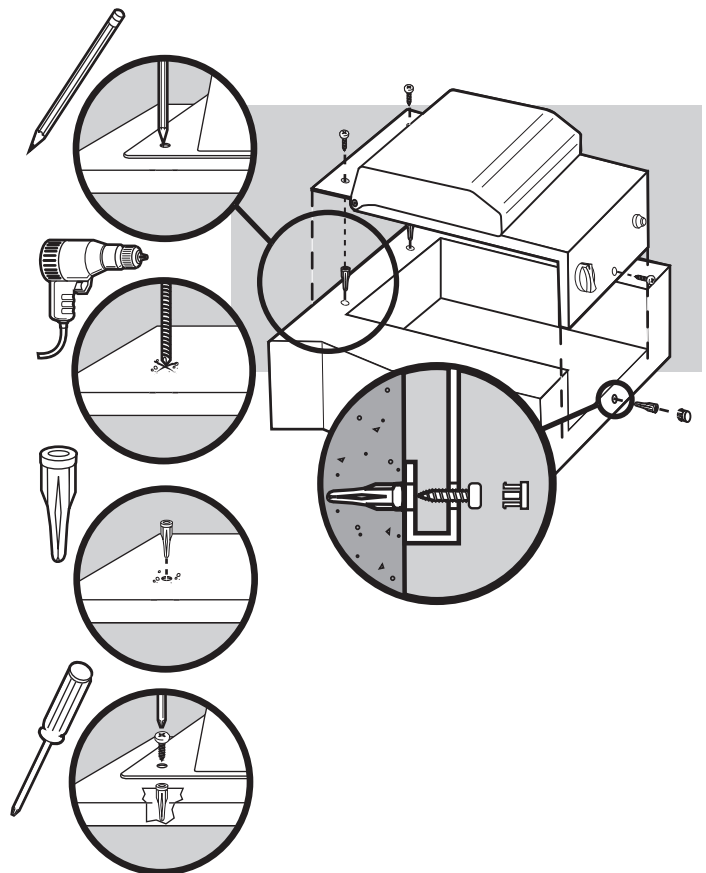
TEST CONNECTIONS

All connections and joints must be thoroughly tested for leaks in accordance with local codes and all listed procedures in the latest edition of ANSI Z223.1/NFPA 54.

⚠ DANGER

Do not use an open flame to check for gas leaks. Be sure there are no sparks or open flames in the area while you check for gas leaks. This will result in a fire or explosion which can cause serious bodily injury or death, and damage to property.

Be sure to secure the side burner unit with non corrosive screws anchored into the finished surface of the "island structure". Replace the plastic plug on the front mounting hole to conceal the screw once side burner is secure.



TYPICAL BULK PROPANE GAS SUPPLY INSTALLATION

We recommend that this installation be done by a LICENSED professional.

General Specifications for Piping

Note - Contact your local municipality for building codes regulating outdoor gas grill installations. In absence of Local Codes, you must conform to the latest edition of the National Fuel Gas Code ANSI Z223.1/NFPA 54.

- This grill is designed to operate at 11 inches of water column pressure. An LP in line regulator may be necessary for this pressure.

⚠ CAUTION: If young children are in the area, a locking valve should be considered.

- Pipe compound should be used which is resistant to the action of liquid propane gas when gas connections are made.
- The gas connections must be firmly attached to rigid, permanent construction.

Note: The information provided in this manual is general for typical installations. We cannot cover all possible installation ideas. We recommend, prior to installation, that you contact your municipality for local building codes and your local fire department for installation verification.

If you have any questions, contact Customer Service at 1-800-446-1071.

GAS LINE PIPING

- Refer to the piping chart at the bottom of previous page.
- The corrugated gas line from the manifold is 58 inches (1,473.2 mm) long. Do not extend the gas line.
- We have provided the means to make an SAE 45° flare connection. Do not use pipe sealant on this connection.
- If the length of line required does not exceed 50 feet, use a 5/8" O.D. tube. One size larger should be used for lengths greater than 50 feet. Refer to piping chart.
- Gas piping may be copper tubing, type K or L; polyethylene plastic tube, with a minimum wall thickness of .062 inch (1.57 mm); or standard weight (schedule 40) steel or wrought iron pipe.
- Copper tubing must be tin-lined if the gas contains more than 0.3 grams of hydrogen sulfide per 100 cubic feet of gas.
- Plastic tubing is suitable only for outdoor, underground use.
- Gas piping in contact with earth, or any other material which may corrode the piping, must be protected against corrosion in an approved manner.
- Underground piping must have a minimum of 18" cover.

Nominal Iron Pipe Size (Inches)	Actual ID: (Inches)	Length of Pipe (Feet)													
		10	20	30	40	50	60	70	80	90	100	125	150	175	200
1/2	.622	131	90	72	62	55	50	46	42	40	38	33	30	28	26
3/4	.824	273	188	151	129	114	104	95	89	83	79	70	63	58	54
1	1.049	514	353	284	243	215	195	179	167	157	148	131	119	109	102
1 1/4	1.380	1,060	726	583	499	442	400	368	343	322	304	269	244	224	209
1/12	1.610	1,580	1,090	873	747	662	600	552	514	482	455	403	366	336	313
2	2.067	3,050	2,090	1,680	1,440	1,280	1,160	1,060	989	928	877	777	704	648	602
2 1/2	2.469	4,860	3,340	2,680	2,290	2,030	1,840	1,690	1,580	1,480	1,400	1,240	1,120	1,030	960
3	3.068	8,580	5,900	4,740	4,050	3,590	3,260	3,000	2,790	2,610	2,470	2,190	1,980	1,820	1,700
4	4.026	17,500	12,000	9,660	8,270	7,330	6,640	6,110	5,680	5,330	5,040	4,460	4,050	3,720	3,460

© 2007 National Fire Protection Association, Inc. and International Approval Services - U.S., Inc. All Rights Reserved.

TEST CONNECTIONS

All connections and joints must be thoroughly tested for leaks in accordance with local codes and all listed procedures in the latest edition of the National Fuel Gas Code ANSI Z223.1/NFPA 54, Natural Gas and Propane Installation Code, CSA B149.1, or Propane Storage and Handling Code, B149.2, or the Standard for Recreational Vehicles, ANSI A 119.2/NFPA 1192, and CSA Z240 RV Series, Recreational Vehicle Code, as applicable.

⚠ DANGER

Do not use an open flame to check for gas leaks. Be sure there are no sparks or open flames in the area while you check for gas leaks. This will result in a fire or explosion which can cause serious bodily injury or death, and damage to property.

TYPICAL 20 LP PROPANE GAS SUPPLY INSTALLATION

We strongly recommend that you use the Summit[®] Built-In Tank Cabinet (#21280) for installations using a 20 lb LP cylinder, mounted remotely in an "island" structure.

The Summit[®] Built-In Tank Cabinet is a CSA listed accessory for installing a remote mounted 20 lb LP cylinder, in an "island" structure. Summit[®] Built-In Tank Cabinet has a hose and regulator assembly and gas connections, for connecting a remote mounted LP cylinder to the Summit[®] Built-In gas grill. The hose and regulator is listed as a required part of the CSA listed Summit[®] Built-In gas grill.

The Summit[®] Built-In Tank Cabinet also meets the requirements for venting, tank retention and separation of the LP cylinder from a heat source as outlined in the ANSI Standard for Outdoor Cooking Gas Appliances, Z21.58/CSA 1.6 for LP enclosures. The Summit[®] Built-In Tank Cabinet has its own installation guide.

If you do not use the Summit[®] Built-In Tank Cabinet, you need to hire a licensed contractor or licensed plumber and they need to follow the requirements described in the ANSI Standard for Outdoor Cooking Gas Appliances, Z21.58/CSA 1.6 for LP enclosures.

The requirements described in the Standard for Outdoor Cooking Gas Appliances, Z21.58/CSA 1.6, are as follows;

A remote enclosure for an LP gas cylinder shall be ventilated by openings at both the upper and lower levels of the cylinder. This shall be accomplished by one of the following:

- a). One side of the remote LP cylinder enclosure shall be completely open; or
- b). If the remote LP cylinder enclosure is designed to have four sides, a top and a bottom, ventilation is required for the remote LP cylinder enclosure;
 - 1). There should be at least two ventilation openings, (a hole or group of holes, for the purpose of ventilation) in the sidewalls of the island structure. The openings should be located within 5 inches (127mm) of the top of the enclosure. The ventilation openings should be equally sized and spaced at a minimum of 90 degrees, and be unobstructed. The openings shall have a total free open area of not less than 20 square inches. (This relates to 1 square inch of ventilation area, per pound of stored fuel capacity).

- 2). Ventilation openings (a hole or group of holes, for the purpose of ventilation) should be provided at floor level. The ventilation openings should have a total free area of not less than 10 square inches. (This relates to 1/2 square inch of ventilation area, per pound of stored fuel capacity). There should be at least two ventilation openings if the ventilation openings at floor level are in the sidewall. The ventilation openings should be within 5 inches (127mm) of the floor. The ventilation openings should be of equal size and be spaced at a minimum of 90 degrees, and should be unobstructed.
- 3). The minimum size of the ventilation hole (s) should not be less than 1/4 inch.
- 4). The ventilation openings in the sidewalls should not allow venting into the empty or "hollow" area of the "island." If a gas leak should occur or the LP cylinder should vent in the LP cylinder enclosure, the gas should not be allowed to vent or migrate into the empty or "hollow" area of the "island." Ventilation openings in the sidewalls of the enclosure should only communicate with the outside of the "island" structure, so that the gas can dissipate outside of the "island" structure.
- c). If the remote LP cylinder enclosure has four sides, a top and a bottom, and is intended for installation in a built-in "island" enclosure;

- 1). At least one ventilation opening (a hole or group of holes, for the purpose of ventilation) needs to be on one side of the enclosure that communicates with the outside of the "island" structure. If a gas leak should occur or the LP cylinder should vent in the LP cylinder enclosure, the gas should not be allowed to vent or migrate into the empty or "hollow" area of the "island." Ventilation openings should only communicate with the outside of the "island" structure, so that the gas can dissipate outside of the "island" structure. The ventilation opening should be located within 5 inches (127mm) of the top of the enclosure, and should have a total free area of 20 square inches. (This relates to 1 square inch of ventilation area, per pound of stored fuel).
- 2). At least one ventilation opening (a hole or group of holes, for the purpose of ventilation) needs to be on one side of the enclosure that communicates with the outside of the "island" structure, at the bottom. If a gas leak should occur or the LP cylinder should vent in the LP cylinder enclosure, the gas should not be allowed to vent or migrate into the empty or "hollow" area of the "island." Ventilation openings should only communicate with the outside of the "island" structure, so that the gas can dissipate outside of the "island" structure. The ventilation opening should be located within 5 inches (127mm) of the bottom of the enclosure, and should have a total free area of 10 square inches. (This relates to 1/4 square inch of ventilation area, per pound of stored fuel).
- 3). The minimum size of the ventilation hole (s) should not be less than 1/4 inch (6.35mm).
- d). The remote LP cylinder enclosure should be constructed with non-combustible materials. The remote LP cylinder enclosure should isolate the LP cylinder from the burner compartment, so that it provides shielding from radiation, be a flame barrier and provide protection from foreign material such as hot drippings.
- e). There should be a minimum of 2 inches (50.8mm) between the ground and the floor of the remote LP cylinder enclosure.
- f). The LP cylinder valve should be readily accessible for hand operation. A door on the remote LP cylinder enclosure to gain access to the LP cylinder valve is acceptable, provided it is non-locking and can be opened without the use of tools.

⚠ DANGER

Use of any other hose and regulator assembly could be dangerous, and may not provide adequate gas supply to the Summit® Built-In gas grill, and could result in a fire or an explosion causing serious bodily injury or death, and damage to property.

⚠ DANGER

Failure to use the Summit® Built-In Tank Cabinet for a 20 lb cylinder or failure to build a LP cylinder enclosure for a 20 lb cylinder following the requirements for ventilation, cylinder retention and separation of the LP cylinder from a heat source, listed in the ANSI Standard for Outdoor Cooking Gas Appliances, ANSI Z21.58 CSA 1.6, could be dangerous, and could result in a fire or an explosion causing serious bodily injury or death and damage to property.

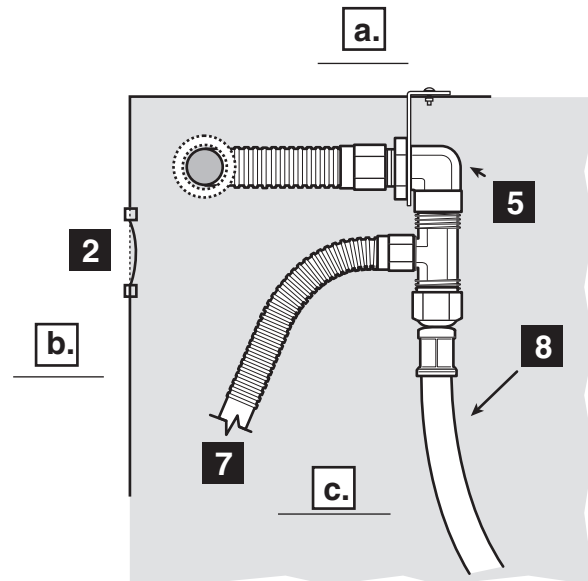
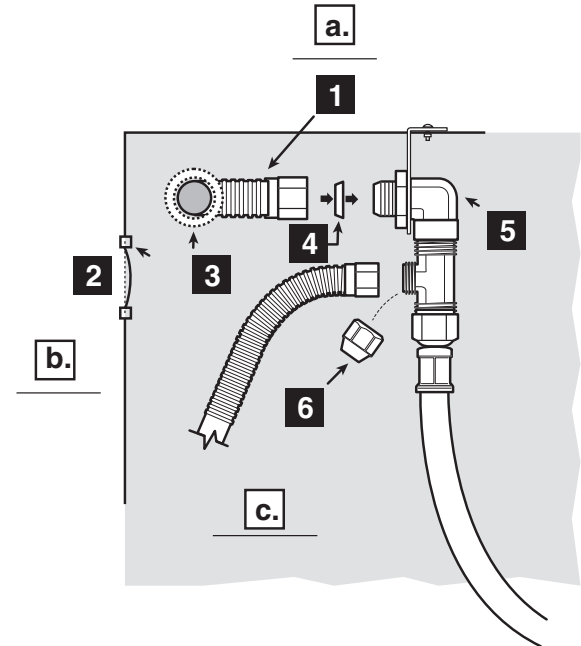
If you do not follow the DANGER statements exactly, the Warranty on the Summit® Built-In gas grill will be voided.

SIDE BURNER LP SUPPLY CONNECTIONS

1	Corrugated Gas Line to Manifold
2	Plug unused hole with supplied plug
3	Use bushing for gas line hole
4	1/2" (12.7mm) Flared Gasket
5	90° Fitting
6	Cap (Optional Side Burner)
7	To Side Burner
8	Connection to LP Tank
a	Top of Box
b	Back of Box
c	Side View

CONNECT GAS SUPPLY

- 1) Uncap the flare fitting from the optional side burner connection located inside the Summit® Built-In Tank Cabinet (#21280).
Note: We strongly recommend that you use the Summit® Built-In Tank Cabinet (#21280) for installations using a 20 lb LP cylinder, mounted remotely in an "island" structure. If your, licensed contractor or licensed plumber, builds an LP cylinder enclosure following the guidelines in the ANSI Standard for Outdoor Cooking Gas Appliances, Z21.58 CSA 1.6, you need to order kit number (#21287).
- 2) Connect the corrugated gas line to the side burner Connection.



TEST CONNECTIONS

All connections and joints must be thoroughly tested for leaks in accordance with local codes and all listed procedures in the latest edition of ANSI Z223.1/NFPA 54.

⚠ DANGER

Do not use an open flame to check for gas leaks. Be sure there are no sparks or open flames in the area while you check for gas leaks. This will result in a fire or explosion which can cause serious bodily injury or death, and damage to property.

FILL LIQUID PROPANE CYLINDER

To fill, take the liquid propane cylinder and filler adapter to an RV center or look up gas-propane in the phone book for other sources of liquid propane gas.

⚠ WARNING: We recommend that your liquid propane cylinder be filled at an authorized liquid propane gas dealer by a qualified attendant, who fills the tank by weight.

IMPROPER FILLING IS DANGEROUS.

The liquid propane cylinder must be installed, transported and stored in an upright position, and should not be dropped or handled roughly.

Never store or transport the liquid propane cylinder where temperatures can reach 125°F / 51°C (too hot to hold by hand – for example: do not leave the liquid propane cylinder in a car on a hot day).

For full instructions on safe handling of liquid propane cylinders, see Section “Operating”.

IMPORTANT LP CYLINDER INFORMATION

Failure to follow these DANGER statements exactly may result in a fire causing death or serious injury.

⚠ DANGER

⚠ NEVER store a spare LP Cylinder under or near this barbecue.

⚠ NEVER fill the tank beyond 80% full.

Your Weber® gas grill is equipped for a cylinder supply system designed for vapor withdrawal.

⚠ WARNING: Only use this grill outdoors in a well-ventilated area. Do not use in a garage, building, breezeway or any other enclosed area.

The proper filling methods for the filling of your cylinder are by weight or volume, as described in NFPA 58. Please make sure your filling station fills your LP cylinder by weight or volume. Ask your filling station to read purging and filling instructions on the LP cylinder before attempting to fill.

LEAK CHECK PREPARATION

CHECK THAT ALL BURNER VALVES ARE OFF

Valves are shipped in the “OFF” position, but you should check to be sure that they are turned off. Check by pushing down and turning clockwise. If they do not turn, they are off. Proceed to the next step. If they do turn continue turning them clockwise until they stop, then they are off. Proceed to the next step.

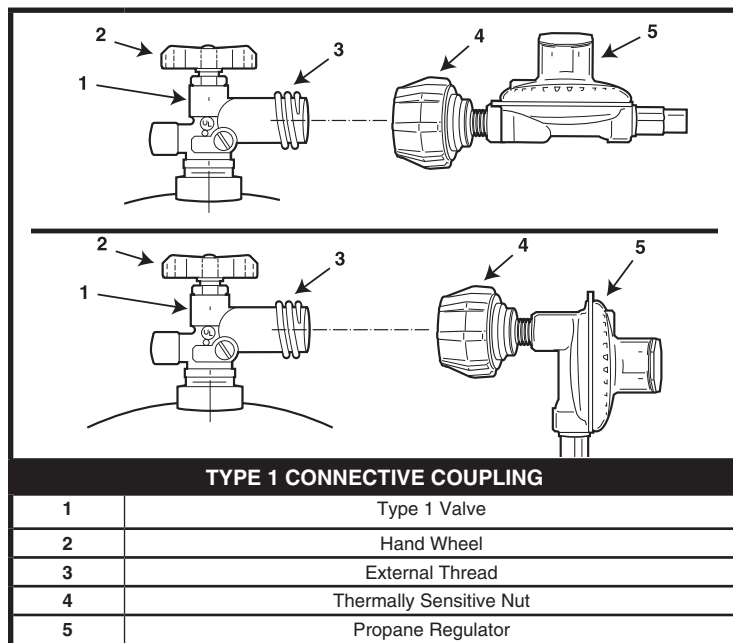
CONNECTING THE LIQUID PROPANE CYLINDER

All Weber® liquid propane gas grill regulators are equipped with a UL-Listed tank connection as per the latest edition of ANSI Z21.58. This will require a liquid propane tank that is similarly equipped with a Type 1 connection in the tank valve. This Type 1 coupling allows you to make a fast and totally safe hookup between your gas grill and your liquid propane tank. It eliminates the chance of leaks due to a POL fitting that is not properly tightened. Gas will not flow from the tank unless the Type 1 coupling is fully engaged into the coupling.

⚠ WARNING: Make sure that the LP cylinder valve is closed. Close by turning valve clockwise.

⚠ DANGER

Do not use an open flame to check for gas leaks. Be sure there are no sparks or open flames in the area while you check for leaks. Sparks or flames will result in a fire or explosion which can cause serious bodily injury or death, and damage to property.



Some LP tanks have differing top collar assemblies. (The top collar is the metal protective ring around the valve.) One series of tanks mount with the valve facing front (a). The other tanks mount with the valve facing away from the fuel scale (b). Weber recommends the use of cylinder manufacturer's Manchester and Worthington, with a 47.6 lb water capacity. Other cylinders may be acceptable for use with the appliance provided they are compatible with the appliance retention means (see illustrations).

The LP cylinder is installed inside the tank enclosure or tank cabinet, on the tank scale.

- 1) Turn the LP cylinder so the opening of the valve is either to the front, side or rear of the Weber® gas barbecue. Lift and hook the cylinder onto the fuel gauge.
- 2) Lift tank up into position on the tank scale.
- 3) Loosen the cylinder lock wing nut. Swing the cylinder lock down. Tighten the wing nut.

TO CONNECT THE HOSE TO THE CYLINDER:

- 4) Remove the plastic dust cover from the valve.
- 5) Screw the regulator coupling onto the tank valve, clockwise, or to the right. Hand-tighten only.

Note: This connection tightens clockwise and will not allow gas to flow unless the connection is tight. The connection requires tightening by hand only.

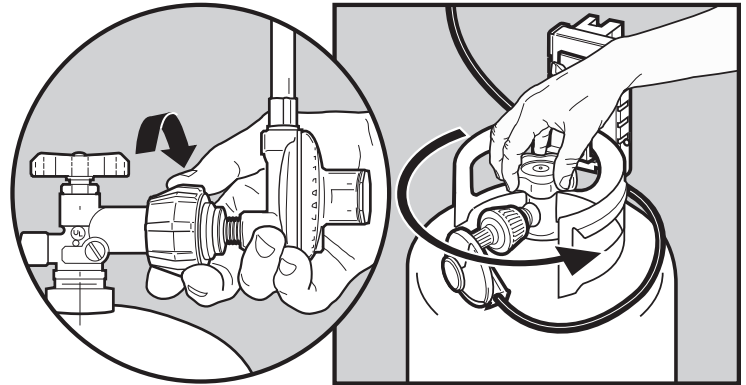
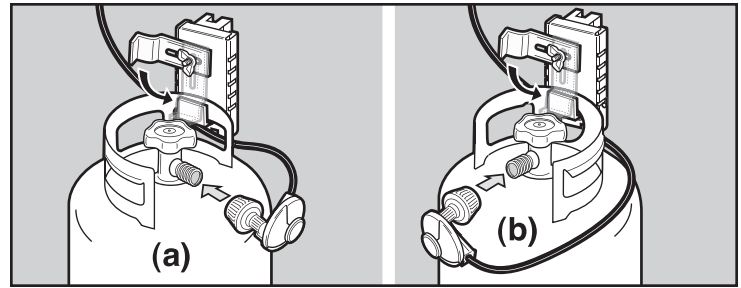
⚠ WARNING: Do not use a wrench to tighten the connection. Using a wrench could damage the regulator coupling and could cause a leak.

You will need: LP cylinder, a soap and water solution and a rag or brush to apply it.

- 6) Mix soap and water.
- 7) Turn on the cylinder valve.
- 8) Check for leaks by wetting the fitting with the soap and water solution and watching for bubbles. If bubbles form, or if a bubble grows, there is a leak. If there is a leak, turn off the gas and tighten the fitting. Turn the gas back on and recheck with the soap and water solution.

If leak does not stop do not use the barbecue. Contact the Customer Service Representative in your area using the contact information on our web site. Log onto www.weber.com.

- 9) When leak checking is complete, turn gas supply off at the source and rinse connections with water.



CHECK FOR GAS LEAKS

After a period of nonuse, we recommend that you perform the following maintenance procedures for your safety.

⚠ WARNING: Check the hose before each use of the grill for nicks, cracking, abrasions or cuts. If the hose is found to be damaged in any way, do not use the grill. Replace using only Summit® authorized replacement hose. Contact the Summit Built-In Customer Service at 1-800-446-1071.

- Inspect the burner for correct flame pattern. Clean if necessary, following the procedures outlined in the "General Maintenance" section of this manual.
- Check all gas fittings for leaks.

⚠ DANGER

Do not use an open flame to check for gas leaks. Be sure there are no sparks or open flames in the area while you check for leaks. Sparks or open flames will result in a fire or explosion, which can cause serious bodily injury or death and damage to property.

⚠ WARNING: You should check for gas leaks every time you disconnect and reconnect a gas fitting.

Note - All factory-made connections have been thoroughly checked for gas leaks. The burners have been flame-tested. As a safety precaution however, you should recheck all fittings for leaks before using your Weber Gas Barbecue. Shipping and handling may loosen or damage a gas fitting.

⚠ WARNING: Perform these leak checks even if your barbecue was dealer or store assembled.

You will need: a soap and water solution, and a rag or brush to apply it.

Note - Since some leak test solutions, including soap and water, may be slightly corrosive, all connections should be rinsed with water after checking for leaks.

Make sure side burner is OFF.

To perform leak checks: open cylinder valve by turning the cylinder valve hand-wheel counterclockwise.

⚠ WARNING: Do not ignite burners when leak checking.

Check for leaks by wetting the connections with the soap and water solution and watching for bubbles. If bubbles form or if a bubble grows, there is a leak.

Check:

- 1) Corrugated gas line-to-Accessory "T" Connection
- 2) Regulator-to-Cylinder connection.

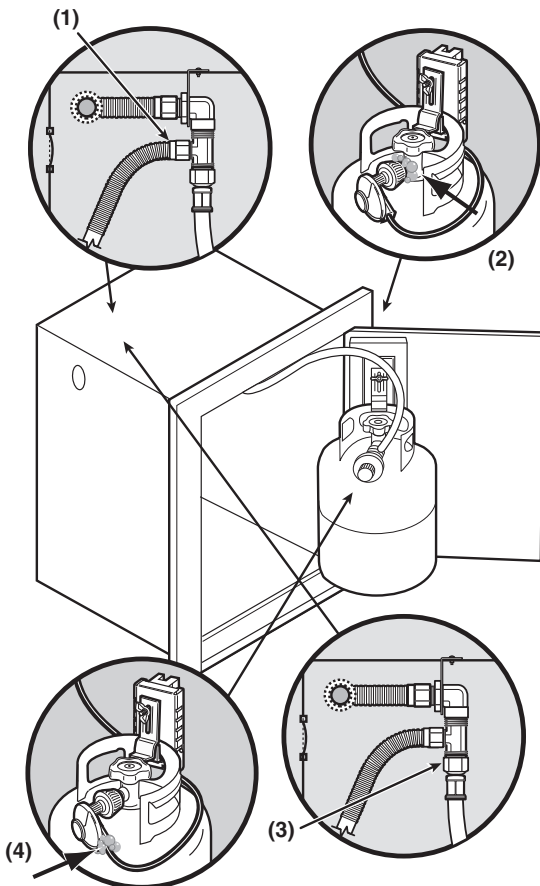
⚠ WARNING: If there is a leak at connection (1), retighten the fitting with a wrench and recheck for leaks with soap and water solution. If a leak persists after re-tightening the fitting, turn OFF the gas. DO NOT OPERATE THE GRILL. Contact Customer Service 1-800-446-1071.

Check:

- 3) "T" Connection-to-Hose connections.
- 4) The hose-to-Regulator connection.

⚠ WARNING: If there is a leak at connections (2,3, or 4), turn OFF the gas. DO NOT OPERATE THE GRILL. Contact Customer Service 1-800-446-1071.

When leak checks are complete, turn gas supply OFF at the source and rinse connections with water.



SAFE HANDLING TIPS FOR LIQUID PROPANE GAS CYLINDERS

- Liquid Propane (LP) gas is a petroleum product as are gasoline and natural gas. LP gas is a gas at regular temperatures and pressures. Under moderate pressure, inside a cylinder, LP gas is a liquid. As the pressure is released, the liquid readily vaporizes and becomes gas.
- LP gas has an odor similar to natural gas. You should be aware of this odor.
- LP gas is heavier than air. Leaking LP gas may collect in low areas and prevent dispersion.
- To fill, take the LP cylinder to a gas propane dealer, or look up "gas-propane" in the phone book for other sources of LP gas.

⚠ WARNING: We recommend that your LP cylinder be filled at an authorized LP gas dealer, by a qualified attendant, who fills the tank by weight. IMPROPER FILLING IS DANGEROUS.

- Air must be removed from a new LP cylinder before the initial filling. Your LP dealer is equipped to do this.
- The LP cylinder must be installed, transported and stored in an upright position. LP cylinders should not be dropped or handled roughly.
- Never store or transport the LP cylinder where temperatures can reach 125° F (too hot to hold by hand - for example: do not leave the LP cylinder in a car on a hot day).

Note: A refill will last about 18-20 hours of cooking time at normal use. The fuel scale will indicate the propane supply so you can refill before running out. You do not have to run out before you refill.

- Treat "empty" LP cylinders with the same care as when full. Even when the LP tank is empty of liquid there still may be gas pressure in the cylinder. **Always close the cylinder valve before disconnecting.**

⚠ CAUTION: Place dust cap on cylinder valve outlet whenever the cylinder is not in use. Only install the type of dust cap on the cylinder valve outlet that is provided with the cylinder valve. Other types of caps or plugs may result in leakage of propane.

- Do not use a damaged LP cylinder. Dented or rusty LP cylinders or LP cylinders with a damaged valve may be hazardous and should be replaced with a new one immediately.

Liquid Propane (LP) Cylinder(s)

- The joint where the hose connects to the LP cylinder must be leak tested each time the LP cylinder is reconnected. For example, test each time the LP cylinder is refilled.

- Be sure the regulator is mounted with the small vent hole pointed downward so that it will not collect water. This vent should be free of dirt, grease, bugs etc.
- The gas connections supplied with your Weber® gas barbecue have been designed and tested to meet 100% CSA and ANSI requirements.

⚠ WARNING: Replacement LP tanks must match the regulator connection supplied with this barbecue.

LIQUID PROPANE CYLINDER REQUIREMENTS

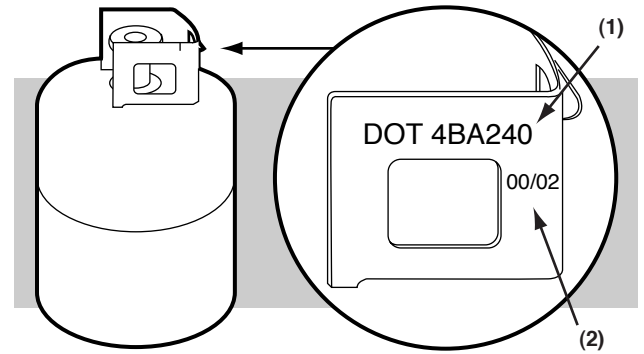
- Check to be sure cylinders have a D.O.T. certification (1), and date tested (2) is within five years. Your LP gas supplier can do this for you.
- All LP tank supply systems must include a collar to protect the cylinder valve.
- The LP cylinder must be a 20-lb. size approximately (18¼ inches high, 12¼ inches in diameter).
- The cylinder must be constructed and marked in accordance with the Specifications for LP - Gas Cylinders of the U.S. Department of Transportation (D.O.T.) or the National Standard of Canada, CAN/CSA-B339, Cylinders, Spheres and Tubes or Transportation of Dangerous Goods; and Commission, as applicable.

IN CANADA

LIQUID PROPANE CYLINDER REQUIREMENTS

Note: Your retailer can help you match a replacement tank to your barbecue.

- The LP cylinder must be constructed and marked in accordance with the specifications for LP gas cylinders, T.C.



SIDE BURNER LIGHTING INSTRUCTIONS

⚠ DANGER

Failure to open the lid while igniting the side burner, or not waiting 5 minutes to allow the gas to clear if the side burner does not light, may result in an explosive flame-up which can cause serious bodily injury or death.

- 1) Open the side burner lid.
- 2) Check that the side burner valve is turned OFF. (Push knob in and turn clockwise to ensure that it is in the off position.)

⚠ WARNING:

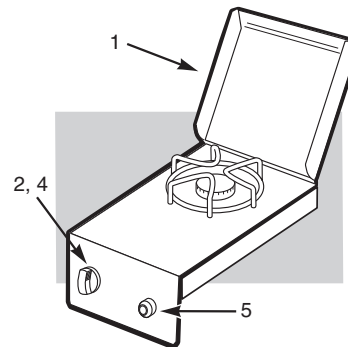
The burner control knob must be in the OFF position before turning on the liquid propane cylinder valve. If it is not in the OFF position, when you turn on the LP cylinder valve, the “excess gas flow control” feature will activate, limiting the flow of gas from the LP cylinder. If this should occur, turn OFF the LP tank valve and burner control knobs. Then start over.

- 3) Turn the LP tank valve on (turn counter-clockwise).
- 4) Push in and turn the side burner control valve to START/HI.
- 5) Push igniter button and hold until burner ignites. You will hear the igniter sparking.

⚠ CAUTION: Side burner flame may be difficult to see on a bright sunny day.

⚠ WARNING: If the side burner does not light:

- 1) Turn OFF the side burner control valve.
- 2) Wait 5 minutes to let the gas clear before you try again or try to light with a match.



TO EXTINGUISH

Push down and turn each burner control knob clockwise to the OFF position. Turn gas supply OFF at the source.

MANUALLY LIGHTING THE SIDE BURNER

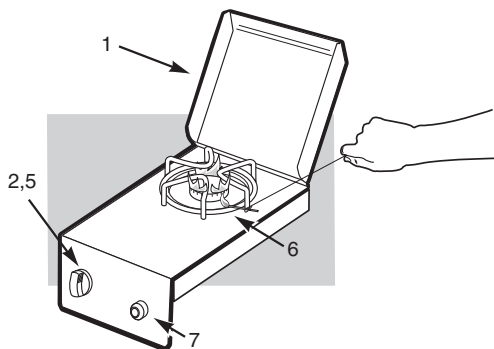
⚠ DANGER

Failure to open the lid while igniting the side burner, or not waiting 5 minutes to allow the gas to clear if the side burner does not light, may result in an explosive flame-up which can cause serious bodily injury or death.

- 1) Open the side burner lid.
 - 2) Check that the side burner valve is turned OFF. (Push the knob down and turn clockwise to ensure that it is in the off position.)
- ⚠ WARNING: The burner control knob must be in the OFF position before turning on the liquid propane cylinder valve. If it is not in the OFF position, when you turn on the LP cylinder valve, the “excess gas flow control” feature will activate, limiting the flow of gas from the LP cylinder. If this should occur, turn OFF the LP tank valve and burner control knobs. Then start over.**
- 3) Turn the LP tank valve on (turn counter-clockwise).
 - 4) Put match in a match holder and strike match.
 - 5) Push down and turn the side burner control valve to START/HI.
 - 6) Hold match holder and lit match by right side of side burner.
 - 7) Push igniter button and hold until burner ignites. You will hear the igniter sparking.

⚠ CAUTION: Side burner flame may be difficult to see on a bright sunny day.

⚠ WARNING: If the side burner does not light:



- 1) Turn OFF the side burner control valve.
- 2) Wait 5 minutes to let the gas clear before you try again or try to light with a match.

IGNITER

If the Ignition system fails to ignite the side burner, light the burner with a match.

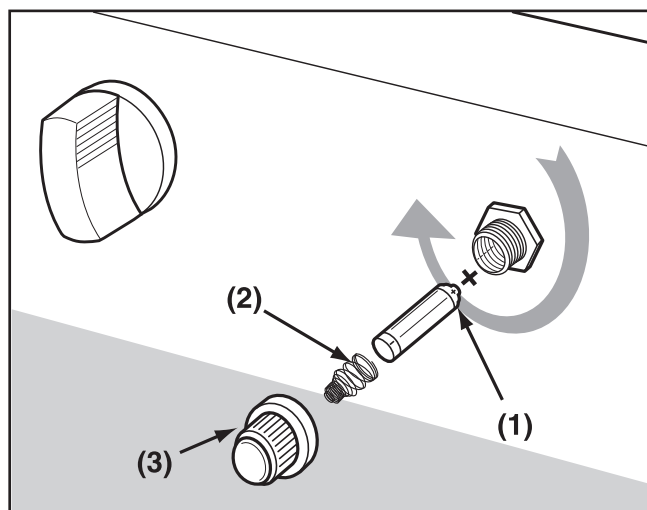
- Check that both ignition wires(1,2) are attached properly.
- You should hear the igniter sparking.

If the ignition system still fails to light, contact the Customer Service Representative in your area using the contact information on our web site. Log onto www.weber.com.

REPLACE IGNITER BATTERIES

Parts required: 1 AA alkaline battery per igniter.

Unscrew igniter button from front of control panel. Remove igniter button and contact spring. Remove old battery and replace with a new AA alkaline battery. Positive end (1) of battery faces inward as shown in illustration. Replace spring contact (2) and screw igniter button (3) back onto battery compartment.

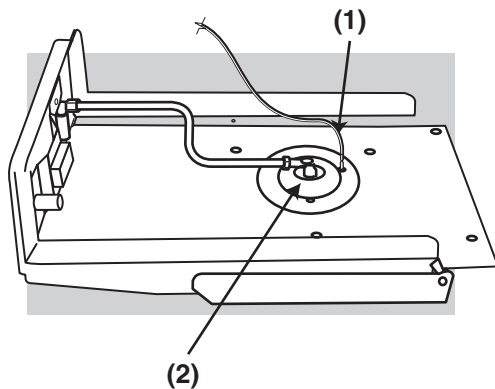


PROBLEM	CHECK	CURE
Side Burner does not light.	Is gas supply off? The excess flow safety device, which is part of the barbecue to cylinder connection, may have activated.	Turn supply on. To reset the excess flow safety device turn all burner control knobs and the cylinder valve off. Disconnect the regulator from the cylinder. Turn burner control knobs to START/HI. Wait at least 1 minute. Turn burner control knobs to "OFF". Reconnect the regulator to the cylinder. Turn cylinder valve on slowly. Refer to "Lighting Instructions".
Flame is low in "HI" position.	Is the fuel hose bent or kinked?	Straighten hose.
Push button ignition does not work.	Does burner light with a match?	If match lights burner, check igniter (see Sideburner Maintenance).
If problems cannot be corrected by using these methods, please contact the Customer Service Representative in your area using the contact information on our web site. Log onto www.weber.com .		

SIDE BURNER MAINTENANCE

⚠ WARNING: All gas controls and supply valves should be in the "OFF" position.

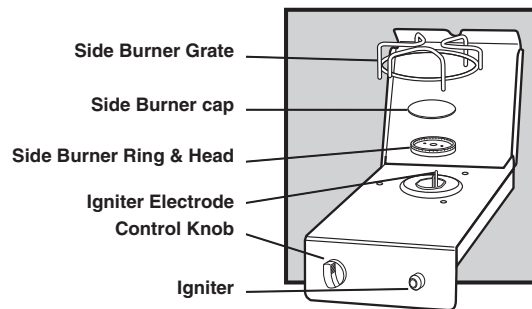
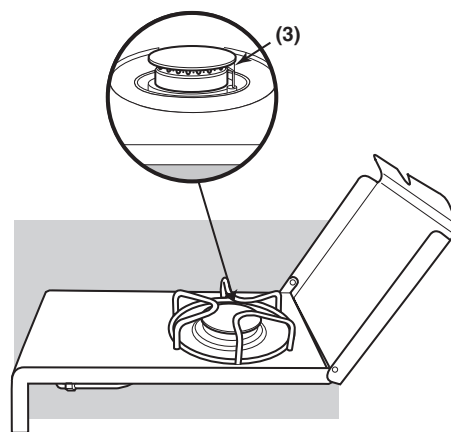
Make sure black wire is connected between the igniter and electrode.
Make sure white wire is connected between the igniter and grounding clip.



Spark should be a white/blue color, not yellow.

1) Igniter Wire

- 2) Ground wire
- 3) Burner

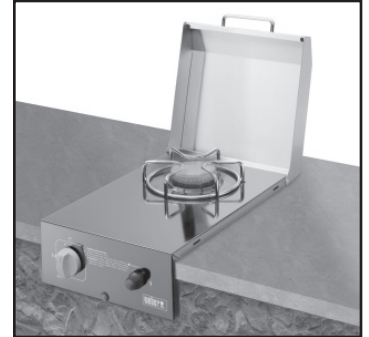


SUMMIT®



Instalación del quemador lateral empotrado de gas propano licuado/Guía del Propietario

#89796



ESTOS ACCESORIOS PUEDEN ADQUIRIRSE POR SEPARADO.

DEBE LEER ESTA GUÍA DEL PROPIETARIO ANTES DE PONER A FUNCIONAR LA BARBACOA DE GAS

⚠ PELIGRO

Si huele a gas:

1. Cierre el suministro de gas al artefacto.
2. Apague todas las flamas cerrando la valvula general de paso.
3. Abra la tapa.
4. Llame inmediatamente a la central de fugas o a su proveedor de gas.

Una fuga de gas puede provocar un incendio o explosión que puede resultar en lesiones corporales serias o la muerte, o daños a la propiedad.

⚠ **NOTA IMPORTANTE:** Antes de poner a funcionar la asador, siga cuidadosamente todos los procedimientos en este manual para verificar que no existan fugas. Haga esto aun y cuando la asador haya sido ensamblada por el distribuidor.

⚠ PARA SU SEGURIDAD:

1. No almacene gasolina u otros fluidos flamables en la cercanía de su aparato.
2. Ningún cilindro de propano licuado que no esté conectado para su uso deberá almacenarse cerca de éste o cualquier otro artefacto doméstico.

AVISO AL INSTALADOR:

Estas instrucciones deben permanecer con el propietario, quien las deberá guardar para un futuro uso.

ESTE ARTEFACTO A GAS ESTÁ DISEÑADO PARA USARSE SOLAMENTE AL AIRE LIBRE.

⚠ **NOTA IMPORTANTE:** No trate de encender este artefacto sin antes leer la sección "Instrucciones para encender la asador" de este manual.



ESNA -Spanish (N. America)
LP

⚠ PELIGRO

El hacer caso omiso de los avisos de peligros, advertencias y precauciones contenidos en este Manual del Propietario pudiera resultar en lesiones corporales serias o la muerte, o en un fuego o explosión que cause daños a la propiedad.

⚠ ADVERTENCIAS

- ⚠ No almacene un tanque de propano licuado desconectado o de repuesto debajo o cerca de este asador.
- ⚠ El ensamblaje incorrecto puede ser peligroso. Por favor siga cuidadosamente las instrucciones de ensamblaje.
- ⚠ Tras haber estado guardada o sin uso por algún tiempo, antes de usar la barbacoa de gas Weber® verifique que no existan fugas de gas o obstrucciones en el quemador. Vea en este manual las instrucciones para los procedimientos correctos.
- ⚠ No opere la barbacoa de gas Weber® si existe una fuga de gas.
- ⚠ No utilice una llama abierta para comprobar la existencia de fugas de gas.
- ⚠ Nunca debe haber materiales combustibles a una distancia menor de 24 pulgadas (60 cm) de la parte superior, inferior, trasera o lateral de su asador de gas Weber®.
- ⚠ No coloque una funda para barbacoas ni cualquier otra artículo inflamable sobre o dentro del área de almacenaje ubicada debajo del asador.
- ⚠ Nunca permita que los niños usen la barbacoa de gas Weber®. Algunas partes accesibles de la barbacoa pudieran estar muy calientes. Mantenga alejados a los niños pequeños mientras ésta se esté usando.
- ⚠ Usted debe proceder con razonable cuidado al usar su barbacoa de gas Weber®. Ésta estará caliente al cocinarse en ella o al limpiarla, y nunca deberá dejarse desatendida o moverse mientras esté funcionando.
- ⚠ Si llegasen a apagarse los quemadores, cierre todas las válvulas de gas. Abra la tapa y espere cinco minutos antes de tratar de volver a encender la barbacoa, usando las instrucciones de encendido en este manual.
- ⚠ No use carbón o piedra pómez en su barbacoa de gas Weber®.
- ⚠ No se incline sobre la barbacoa abierta o coloque las manos o dedos en el borde delantero de la caja de cocción.
- ⚠ Si la grasa llegase a agarrar fuego, apague todos los quemadores y mantenga la tapa cerrada hasta que se haya apagado el fuego.
- ⚠ Al limpiar las válvulas o los quemadores, no ensanche los orificios de las válvulas o las aberturas de los quemadores.
- ⚠ La barbacoa de gas Weber® deberá limpiarse a fondo regularmente.
- ⚠ El propano licuado no es gas natural. El uso de gas natural en una unidad de propano licuado o viceversa, propano licuado en una de gas natural, es peligroso y anulará su garantía.
- ⚠ Mientras opere la barbacoa, utilice guantes resistentes al calor.
- ⚠ Mantenga alejados de todas las superficie calientes a todo cordón eléctrico y a la manguera de suministro de combustible.
- ⚠ Los subproductos de la combustión producidos al usar este producto contienen sustancias químicas que son conocidas por el Estado de la California como causantes de cáncer, defectos de nacimiento, u otros daños reproductivos.
- ⚠ No use esta barbacoa a menos que todas sus partes estén colocadas en su sitio. La unidad debe ensamblarse correctamente de acuerdo con las instrucciones de ensamblaje.
- ⚠ Propuesta 65 Advertencia: El manipular los materiales de latón en este producto lo exponen al plomo, una sustancia química conocida por el estado de California como causante de cáncer, de defectos de nacimiento o de otros daños reproductivos. *(Lávese las manos después de manipular este producto.)*

ÚNICAMENTE UNIDADES DE GAS PROPANO LICUADO

- ⚠ Use el regulador que se suministra con la barbacoa de gas Weber®.
- ⚠ No trate de desconectar el regulador de gas o ninguna conexión de gas mientras esté funcionando la barbacoa.
- ⚠ Un cilindro de propano licuado abollado u oxidado pudiera ser peligroso y deberá ser revisado por su suplidor de propano licuado. No utilice ningún cilindro de propano licuado con una válvula dañada.
- ⚠ Aunque el cilindro de propano licuado pudiera aparentar estar vacío, algo de gas pudiera aún estar presente, por lo que el cilindro deberá transportarse y almacenarse tomando esta posibilidad en consideración.
- ⚠ Si usted ve, huele o escucha el silbido de un escape de gas del cilindro de propano licuado:
 1. Apártese del cilindro de propano licuado.
 2. No trate de corregir el problema usted mismo.
 3. Llame al cuerpo de bomberos local.

GARANTÍA

Weber-Stephen Products Co. (Weber) por este medio le garantiza al COMPRADOR ORIGINAL de esta barbacoa de gas Weber® que la misma estará libre de defectos en cuanto a materiales y fabricación a partir de la fecha de compra según lo siguiente:

Tapa de acero inoxidable, 10 años
Todas las demás partes 5 años

Cuando se ensambla y opera de acuerdo a las instrucciones impresas que lo acompañan. Weber pudiese requerir prueba razonable de la fecha de compra. POR LO TANTO, DEBERÁ GUARDAR SU RECIBO O FACTURA DE VENTA.

Esta garantía limitada está limitada a la reparación o reemplazo de piezas que se resultasen defectuosas bajo uso y servicio normal y las cuales al examinarse indiquen, a la plena satisfacción de Weber, que son defectuosas. Antes de devolver cualquier parte, contacte al Representante de Atención al Cliente en su área geográfica, cuya información de contacto la encontrará en nuestro sitio web. Si Weber confirma el defecto y aprueba el reclamo, ésta elegirá reparar o reemplazar tal pieza sin cargo alguno. Si usted tiene que retornarnos las partes defectuosas, los gastos de transporte deben ser prepagados. Weber retornará las partes al comprador con transporte o franqueo prepagado. Esta Garantía Limitada no cubre ninguna falla o problema de operación a causa de accidentes, abuso, mal uso, alteración, uso en aplicaciones indebidas, vandalismo, instalación inapropiada o mantenimiento o servicio inapropiados, o por no llevar a cabo el mantenimiento normal y rutinario, entre los que se incluyen, pero sin limitación, los daños causados por insectos dentro de los tubos quemadores, según se detalla en este manual del propietario. Esta Garantía Limitada no cubre el deterioro o daños a causa de condiciones de tiempo inclementes tales como granizo, huracanes, terremotos o tornados ni tampoco la decoloración por exposición a sustancias químicas bien sea por contacto directo o por las mismas contenidas en la atmósfera.

No existe ningunas otras garantías expresas que no sean las acá indicadas y cualesquier garantías implícitas de comerciabilidad y aptitud de uso están limitadas en duración al tiempo de cobertura de esta expresa Garantía Limitada por escrito. Algunas regiones no permiten limitación alguna en el tiempo que una garantía implícita pueda durar, por lo que esta limitación pudiera no aplicarle a usted. Weber no se hace responsable de ningún daño especial, indirecto o emergente. Algunas regiones no permiten la exclusión o limitación de daños incidentales o emergentes, por lo que esta limitación o exclusión pudieran no aplicarle a usted.

Weber no autoriza a persona o empresa alguna a asumir en su nombre ninguna obligación o responsabilidad en relación con la venta, instalación, uso, retiro, devolución o reemplazo de sus equipos, y ninguna tal representación será vinculante para Weber.

Esta Garantía aplica solo a aquellos productos vendidos al por menor.

WEBER-STEPHEN PRODUCTS CO.
Customer Service Center
1890 Roselle Road, Suite 308
Schaumburg, IL 60195
USA

Para partes de repuesto llame a:

1-800-446-1071
www.weber.com®

Para compras hechas en México
WEBER-STEPHEN PRODUCTS S.A. de C.V.
Marcella No. 338,
Colonia Americana
44160 México, C.P.
México

Para partes de repuesto llame a:
(52) (33) 3615-0736
www.weber.com®

OPERACIÓN

El suministro de gas propano licuado es fácil de usar y le da más control al cocinar que el carbón.

- Estas instrucciones le indicarán los requisitos mínimos para ensamblar su barbacoa de gas Weber®. Por favor lea cuidadosamente las instrucciones antes de utilizar su barbacoa de gas Weber®. Un ensamblaje incorrecto puede ser peligroso.
- No debe ser usada por niños.
- Si existiesen códigos locales que aplicasen para barbacoas de gas portátiles, usted deberá acatarlos. La instalación debe acatar los códigos locales o, en la ausencia de estos, bien sea con el código nacional de gases combustibles "National Fuel Gas Code, ANSI Z223.1/NFPA 54", el código para las instalaciones de gas natural y propano "Natural Gas and Propane Installation Code, CSA B149.1" o el código de manejo y almacenaje de propano "Propane Storage and Handling Code, B149.2", según apliquen.
- Debe usarse el regulador de presión suministrado con la barbacoa de gas Weber®. Este regulador está ajustado para una presión de 11 pulgadas de columna de agua.
- Esta barbacoa de gas Weber® está diseñada para ser usada exclusivamente con gas propano licuado (LP). No lo use con gas natural (suministrado a través de tuberías en las ciudades). Las válvulas, los orificios, la manguera y regulador son solamente para gas propano licuado.
- No la use con combustible de carbón.
- Asegúrese de que el área debajo del panel de control y la bandeja inferior no tenga desechos que pudiesen obstruir el flujo de aire de combustión o de ventilación.
- Las áreas alrededor del cilindro de gas de propano licuado deben estar libres y sin acumulación de desperdicios.
- Los reguladores de presión y los ensambles de manguera de reemplazo deberán ser los especificados por Weber-Stephen Products Co.

Para compras hechas en México

- Si hubiese códigos locales que se aplicasen a los asadores de gas portátiles, usted deberá cumplir con la más reciente edición de NOM.

PARA LA INSTALACIÓN EN CANADÁ

Estas instrucciones, aunque de manera general son aceptables, no necesariamente cumplen con los códigos de instalación canadienses, en particular en lo que respecta a tuberías bajo y sobre tierra. En Canadá la instalación de este artefacto debe cumplir con los códigos locales y/o la Norma CSA-B149.2 (Código de instalación de artefactos y equipos que queman propano).

- ⚠ **ADVERTENCIA: Sólo use esta barbacoa al aire libre en un área bien ventilada. No la use en un garaje, edificio, pasadizo techado o en cualquier otra área cerrada.**
- ⚠ **ADVERTENCIA: La barbacoa empotrada de gas Summit® no deberá usarse debajo de un techo o saliente combustible desprotegido.**
- ⚠ **ADVERTENCIA: No utilice la barbacoa con la parte superior, inferior, posterior, o lateral de la misma a menos de 24 pulgadas (610 mm) de distancia de materiales combustibles.**
- ⚠ **ADVERTENCIA: La caja de cocción entera se calienta al usarse. No la deje desatendida.**
- ⚠ **ADVERTENCIA: Mantenga a cualquier cordón eléctrico y a la manguera de suministro de gas alejados de toda superficie caliente.**
- ⚠ **ADVERTENCIA: Mantenga el área de cocinar libre de vapores y líquidos inflamables tales como gasolina, alcohol, etc. y de materiales combustibles.**
- ⚠ **ADVERTENCIA: Nunca almacene cilindros de propano licuado extra (de repuesto) debajo o cerca del asador de gas Weber®.**
- ⚠ **ADVERTENCIA: Mantenga limpios los orificios de ventilación de la caja del cilindro.**
- ⚠ **ADVERTENCIA: Cierre el suministro de gas en el cilindro de propano licuado cuando el artefacto para cocinar al aire libre no esté en uso.**
- ⚠ **ADVERTENCIA: Nunca guarde adentro un artefacto de gas para cocinar al aire libre sin haber antes desconectado y sacado del artefacto el cilindro de propano licuado.**
- ⚠ **ADVERTENCIA: Los tanques de propano licuado deben almacenarse al aire libre fuera del alcance de los niños y no deben almacenarse en edificaciones, garajes o cualquier otra área cerrada.**

UBICACIÓN DEL QUEMADOR LATERAL EMPOTRADO

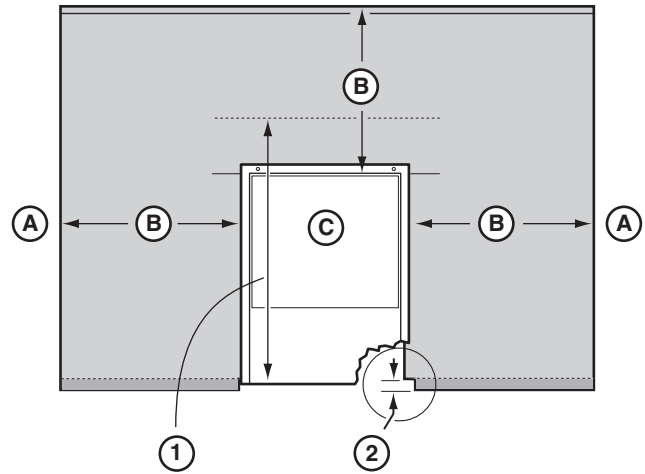
Al seleccionar una ubicación adecuada para la instalación de su Quemador Lateral Empotrado, preste atención a tales asuntos como la exposición al viento, la proximidad al paso de la gente y en mantener cualquier línea de suministro de gas lo más corta posible. Nunca coloque el Quemador Lateral Empotrado Summit® en un garaje, pasadizo techado, cobertizo, bajo un voladizo desprotegido o cualquier área encerrada. Coloque el Quemador Lateral y la estructura de tal forma que exista suficiente espacio para evacuar la zona de manera segura en caso de un incendio.

SEPARACIÓN DE SUPERFICIES O ESTRUCTURAS COMBUSTIBLES

⚠ADVERTENCIA: La separación de las paredes exteriores de los lados y anverso del Quemador Lateral Incorporado debe ser de por lo menos 24 pulgadas (61 cm) desde cualquier superficie. Antes de iniciar la instalación, consulte la “Instalación típica para el suministro de gas”:

⚠ADVERTENCIA: La estructura, las encimeras de la “isla” y las áreas de trabajo adyacentes para la instalación del Quemador Lateral Incorporado deben construirse exclusivamente con materiales no combustibles.

NOTA: Si tuviese cualquier pregunta sobre que materiales son considerados no combustibles, póngase en contacto con su proveedor local de materiales de construcción o con el cuerpo de bomberos.

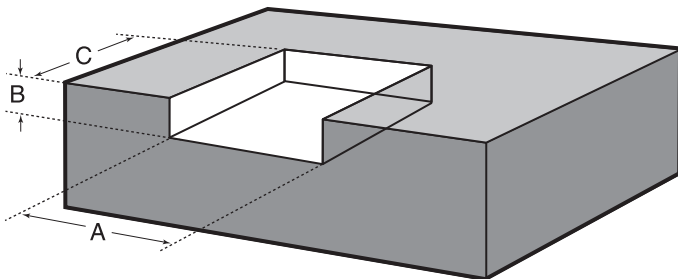


UBICACIÓN DEL QUEMADOR LATERAL

A	Cualquier superficie
B	24" (61 cm) de cualquier superficie
C	Quemador lateral
1	24" (61 cm) Espacio libre mínimo para la tapa
2	Nota: Para conformar la encimera: Se recomienda una saliente de 3/4" (19 mm). Haga una muesca en el borde frontal para que el bastidor puede deslizarse completamente hacia adentro.

DIMENSIONES DE CORTE DEL EMPOTRAMIENTO

Todas las dimensiones son con respecto a las superficies acabadas.



⚠ADVERTENCIA: Todas las superficies de acabado de las encimeras deben construirse con materiales no combustibles.

QUEMADOR LATERAL

	Dimensiones seccionales	Tolerancias
A	10 1/2" (26.7 cm)	+ 1/4" - 1/4" (6.35mm)
B	3 3/4" (9.5 cm)	+ 1/4" - 1/4" (6.35mm)
C	16 1/4" (41.3 cm)	+ 1/4" - 1/4" (6.35mm)

UBICACIONES DE LAS LÍNEAS DE GAS EMPOTRADAS

DETALLES GENERALES DE CONSTRUCCIÓN

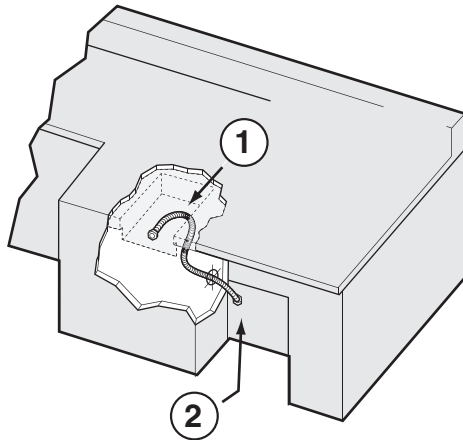
- El quemador lateral empotrado Summit® y todos los demás accesorios deberán estar en el lugar antes de comenzar la construcción.
- Todas las dimensiones tienen una tolerancia de más o menos (+/-) 1/4 de pulgada (6.35 mm).

Deje acceso para una línea corrugada de gas en la ubicación del quemador lateral en función de la posición del suministro de gas principal y el regulador del mismo.

La zona no deberá tener superficies afiladas, dentadas o muy abrasivas a fin de evitar posibles daños a las líneas de suministro de gas. Tenga cuidado al halar las líneas de gas a través de la estructura de empotramiento.

Deberá utilizarse una línea corrugada de gas de acero inoxidable de 3/8 de pulgada (9.52 mm) para conectar el quemador lateral al acople del regulador.

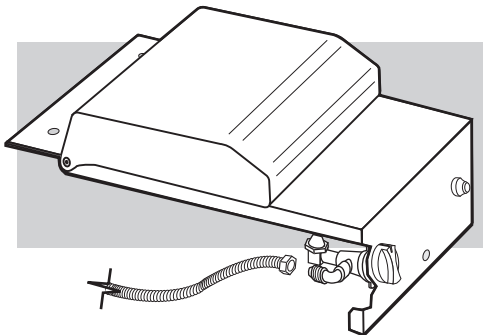
⚠ADVERTENCIA: No utilice una manguera de gas de hule.



UBICACIONES DE LA LÍNEA DE GAS	
1	3/8" (9.52 cm) Línea de gas corrugada de acero inoxidable SAE
2	Ubicación típica del gabinete para tanques

MONTAJE DEL QUEMADOR LATERAL

Conecte la línea de gas corrugada a la válvula del quemador lateral ubicada en el lado derecho posterior del éste último.



PRUEBE LAS CONEXIONES

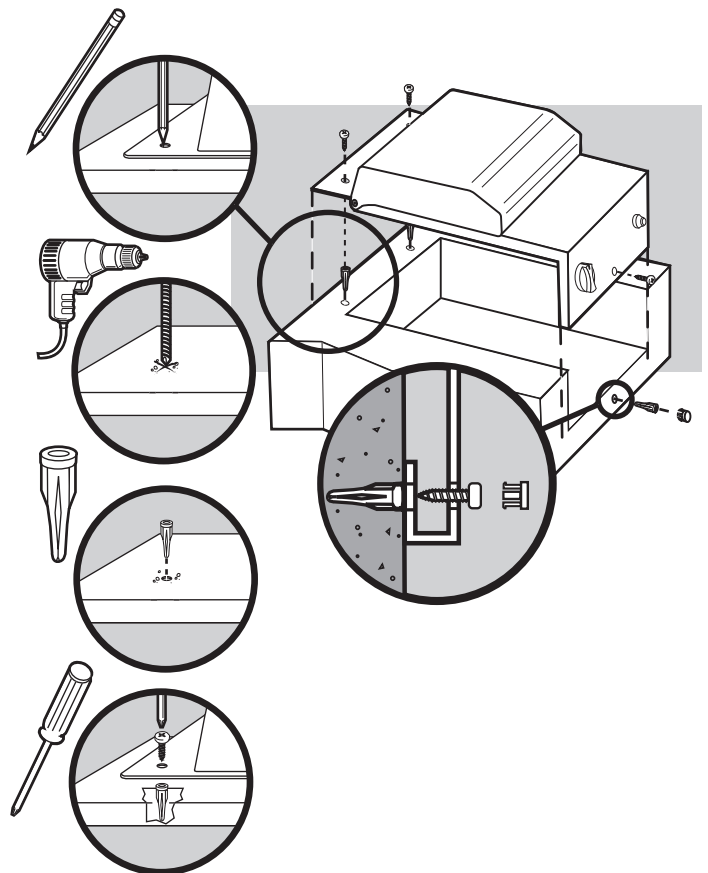
Para confirmar que no tengan fugas, todas las conexiones y juntas deben probarse a fondo de acuerdo a las pautas de los códigos locales y todos los procedimientos indicados en la más reciente edición de ANSI Z223.1/NFPA 54.

⚠ PELIGRO

No utilice una llama abierta para comprobar si existen fugas de gas. Asegúrese de que no haya chispas o llamas abiertas en el área mientras comprueba si existen fugas. Chispas o llamas causarían un fuego o explosión, las cuales pueden causar serias lesiones corporales o la muerte, y daños a la propiedad.

Asegúrese de fijar la unidad del quemador lateral con tornillos no corrosivos clavados en la superficie terminada de la "estructura tipo isla".

Vuelva a colocar el tapón plástico sobre el orificio frontal de montaje para ocultar el tornillo una vez se haya fijado el quemador lateral.



INSTALACIÓN TÍPICA DE SUMINISTRO DE GAS PROPANO A GRANEL

Recomendamos que esta instalación sea ejecutada por un profesional CERTIFICADO

ESPECIFICACIONES GENERALES PARA LA TUBERÍA

Nota - Póngase en contacto con la municipalidad de la localidad para obtener los códigos de construcción que regulan las instalaciones de las barbacoas a gas al aire libre. En la ausencia de códigos locales, debe acatar la más reciente edición del código nacional "National Fuel Gas Code ANSI Z223.1/NFPA 54", del código "Natural Gas and Propane Installation Code, CSA B149.1", o del código "Propane Storage and Handling Code, B149.2", o de las normas "Standard for Recreational Vehicles, ANSI A 119.2/NFPA 1192", y "CSA Z240 RV Series, Recreational Vehicle Code", según aplique.

- Esta barbacoa está diseñada para operar bajo una presión de 11 pulgadas de columna de agua. Para esta presión, pudiera ser necesario un regulador en línea del propano licuado.

⚠ PRECAUCIÓN: Si en la zona hay niños presentes, debería considerarse una válvula de bloqueo.

- Se deberá utilizar un compuesto para el pegado de las tuberías que sea resistente a la acción del gas propano cuando se haga la conexión al gas.
- Las conexiones de gas deben fijarse firmemente a elementos de construcción rígidos y permanentes.

Nota: La información provista en este manual es una información general para instalaciones típicas. No podemos cubrir todas las ideas posibles de instalación. Le recomendamos, previo a la instalación, que se ponga en contacto con su municipalidad para averiguar los códigos de construcción pertinentes y con el departamento de bomberos para que verifiquen la instalación.

Si tuviese cualquier pregunta, póngase en contacto con Atención al Cliente por el 1-800-446-1071.

TUBERÍA DE LA LÍNEA DE GAS

- Refiérase al cuadro de las tuberías en la parte inferior de la página anterior.
- La línea corrugada de gas proveniente del múltiple tiene 58 pulgadas (1,473.2 mm) de largo. No extienda la línea de gas.
- Hemos proporcionado los medios para hacer una conexión tipo asiento de compresión ("flare") de 45°. No utilice sellante de tubería en esta conexión.
- Si la longitud de la línea requerida no excede los 50 pies, utilice un tubo de 5/8" de diámetro externo. Se deberá usar el siguiente tamaño mayor para longitudes superiores a los 50 pies. Refiérase al cuadro de la tubería.
- La tubería de gas deberá ser de tubo de cobre, tipo K o L; tubo plástico de polietileno, con un espesor de pared de por lo menos 0.062 pulgadas (1.57 mm); o tubería de peso estándar (cédula 40) de acero o de hierro dulce.
- Los tubos de cobre deberán estar revestidos de estaño si el gas contiene más de 0.3 gramos de sulfuro de hidrógeno por 100 pies cúbicos de gas.
- La tubería de plástico es sólo apta para uso subterráneo en exteriores.
- La tubería de gas en contacto con la tierra, o cualquier otro material que pudiera corroerla, debe estar protegida contra la corrosión de una manera aprobada.
- Las tuberías bajo tierra deberá tener una cubierta mínima de 18"

Cuadro 10-1	Capacidad máxima de la tubería en pies cúbicos de gas por hora para presiones de gas de 0.5 psi o menos y caídas de presión de 0.3 pulgadas de columna de agua (basado en una gravedad específica del gas de 0.60)														
	Nominal Tubería de hierro Tamaño (pulgadas)	Diámetro interno (pulgadas)	Longitud de tubería (pies)												
			10	20	30	40	50	60	70	80	90	100	125	150	175
1/4	.364	32	22	18	15	14	12	11	11	10	9	8	8	7	6
3/8	.493	72	49	40	34	30	27	25	23	22	21	18	17	15	14
1/2	.622	132	92	73	63	56	50	46	43	40	38	34	31	28	26
3/4	.824	278	190	152	130	115	105	96	90	84	79	72	64	59	55
1	1.049	520	350	285	245	215	195	180	170	160	150	130	120	110	100
1 1/4	1.380	1050	730	590	500	440	400	370	350	320	305	275	250	225	210
1/12	1.160	1600	1100	890	760	670	610	560	530	490	460	410	380	350	320
2	2.067	3050	2100	1650	1450	1270	1150	1050	990	930	870	780	710	650	610
2 1/2	2.469	4800	3300	2700	2300	2000	1850	1700	1600	1500	1400	1250	1130	1050	980
3	3.068	8500	5900	4700	4100	3600	3250	3000	2800	2600	2500	2200	2000	1850	1700
4	4.026	17500	12000	9700	8300	7400	6800	6200	5800	5400	5100	4500	4100	3800	3500

© 1997 National Fire Protection Association, Inc. e International Approval Services - U.S., Inc. Todos los derechos reservados.

PRUEBE LAS CONEXIONES

En la ausencia de códigos locales, debe acatar la más reciente edición del código nacional "National Fuel Gas Code ANSI Z223.1/NFPA 54", del código "Natural Gas and Propane Installation Code, CSA B149.1", o del código "Propane Storage and Handling Code, B149.2", o de las normas "Standard for Recreational Vehicles, ANSI A 119.2/NFPA 1192", y "CSA Z240 RV Series, Recreational Vehicle Code", según aplique.

⚠ PELIGRO

No utilice una llama abierta para comprobar si existen fugas de gas. Asegúrese de que no haya chispas o llamas abiertas en el área mientras comprueba si existen fugas. Chispas o llamas causarían un fuego o explosión, las cuales pueden causar serias lesiones corporales o la muerte, y daños a la propiedad.

INSTALACIÓN TÍPICA DE SUMINISTRO DE GAS PROPANO DESDE UN TANQUE DE 20 LB DE PROPANO LICUADO

Recomendamos enfáticamente que use el Gabinete Empotrado para Tanques Summit® (#21280) en aquellas instalaciones que utilicen un cilindro de propano licuado de 20 lb instalado remotamente en un estructura tipo "isla".

El Gabinete Empotrado para Tanques Summit® es un accesorio certificado por la CSA para cilindros de propano licuado de 20 lb instalados a distancia en un estructura tipo "isla". El Gabinete Empotrado para Tanques Summit® viene provisto con una manguera, un ensamble de regulación y las conexiones de gas para conectar un cilindro de propano licuado instalado a distancia a una barbacoa de gas empotrada Summit®. La manguera y el regulador están certificados como partes necesarias para la barbacoa de gas empotrada Summit®, según la certificación de la CSA.

El Gabinete Empotrado para Tanques Summit® también cumple con los requisitos de ventilación, retención del tanque y separación del cilindro de propano licuado de fuentes de calor según los lineamientos de la norma ANSI para artefactos de gas para cocinar al aire libre "Outdoor Cooking Gas Appliances, Z21.58/CSA 1.6" para cajas para cilindros de propano licuado.

El Gabinete Empotrado para Tanques Summit® cuenta con su propia guía de instalación.

Si no va a usar el Gabinete Empotrado para Tanques Summit®, necesita contratar los servicios de un contratista certificado o un plomero certificado quienes están obligados a seguir los requisitos descritos en la norma ANSI para artefactos de gas para cocinar al aire libre "Outdoor Cooking Gas Appliances, Z21.58/CSA 1.6" para cajas para cilindros de propano licuado.

Los requisitos descritos en dicha norma "Outdoor Cooking Gas Appliances, Z21.58/CSA 1.6" son los siguientes:

Toda caja remota para cilindros de gas propano licuado deberá estar ventilada mediante aberturas tanto en la parte alta como baja del cilindro. Esto se hará mediante alguno de los siguientes métodos:

- Un lado de la caja remota para el cilindro de propano licuado estará totalmente abierta; o
- Si la caja remota para el cilindro de propano licuado está diseñada con cuatro lados, un techo y un fondo, se requiere que dicha caja remota esté ventilada;
 - Deberá tener por lo menos dos aberturas de ventilación (un orificio o un conjunto de orificios, para efectos de ventilación) en las paredes laterales de la estructura tipo "isla". Las aberturas deberá estar ubicadas a menos de 5 pulgadas (127 mm) del techo de la caja. Las aberturas de ventilación deberán ser del mismo tamaño y distribuidas a un mínimo de 90 grados, y no deben estar obstruidas. Las aberturas tendrán un área libre abierta total de no menos de 20 pulgadas cuadradas. (Esto está relacionado con la razón de 1 pulgada cuadrada de área de ventilación por libra de capacidad de combustible almacenado).

- Se deberá tener aberturas de ventilación (un orificio o un grupo de orificios, para efectos de ventilación) a nivel del piso. Las aberturas de ventilación tendrán un área libre abierta total de no menos de 10 pulgadas cuadradas. (Esto está relacionado con la razón de 1/2 pulgada cuadrada de área de ventilación por libra de capacidad de combustible almacenado). Deberán haber por lo menos dos aberturas de ventilación si las aberturas de ventilación a nivel de piso están en la pared lateral. Las aberturas de ventilación no deberán estar a más de 5 pulgadas (127 mm) del piso. Las aberturas de ventilación deberán ser del mismo tamaño y distribuidas a un mínimo de 90 grados, y no deben estar obstruidas.
- El tamaño mínimo del (de los) orificio(s) de ventilación no deberá ser menor de 1/4 pulgada.
- Las aberturas de ventilación en las paredes laterales no deberán permitir el venteo hacia el zona vacía o "hueca" de la "isla". Si llegase a ocurrir una fuga de gas o el cilindro de propano llegase a ventear dentro de la caja del mismo, no se deberá permitir que el gas ventee o migre a la zona vacía o "hueca" de la "isla". Las aberturas de ventilación en las paredes laterales de la caja deberán comunicarse solamente con la parte exterior de la estructura tipo "isla", de manera que el gas se disipe fuera de la misma.
- Si la caja remota para el cilindro de propano licuado tiene cuatro lados, un techo y un fondo, y está diseñada para instalarse en un recinto empotrado tipo "isla";
 - Por lo menos una abertura de ventilación (un agujero o un grupo de agujeros, para efectos de ventilación) necesita estar en un lado de la caja que se comunique con la parte exterior de la estructura tipo "isla". Si llegase a ocurrir una fuga de gas o el cilindro de propano llegase a ventear dentro de la caja del mismo, no se deberá permitir que el gas ventee o migre a la zona vacía o "hueca" de la "isla". Las aberturas de ventilación deberán comunicarse solamente con la parte exterior de la estructura tipo "isla", de manera que el gas se disipe fuera de la misma. La abertura de ventilación deberá estar ubicada a menos de 5 pulgadas (127 mm) del techo de la caja, y deberá tener un área libre total de 20 pulgadas cuadradas. (Esto está relacionado con la razón de 1 pulgada cuadrada de área de ventilación por libra de capacidad de combustible almacenado).
 - Por lo menos una abertura de ventilación (un agujero o un grupo de agujeros, para efectos de ventilación) necesita estar en la parte inferior a un lado de la caja que se comunique con la parte exterior de la estructura tipo "isla". Si llegase a ocurrir una fuga de gas o el cilindro de propano llegase a ventear dentro de la caja del mismo, no se deberá permitir que el gas ventee o migre a la zona vacía o "hueca" de la "isla". Las aberturas de ventilación deberán comunicarse solamente con la parte exterior de la estructura tipo "isla", de manera que el gas se disipe fuera de la misma. La abertura de ventilación deberá estar ubicada a menos de 5 pulgadas (127 mm) del fondo de la caja, y deberá tener un área libre total de 10 pulgadas cuadradas. (Esto está relacionado con la razón de 1/4 pulgada cuadrada de área de ventilación por libra de capacidad de combustible almacenado).
 - El tamaño mínimo del (de los) orificio(s) de ventilación no deberá ser menor de 1/4 pulgada (6.35 mm).
- La caja remota para el cilindro de propano licuado deberá estar hecha de materiales no combustibles. La caja remota para el cilindro de propano licuado deberá aislar a éste último del compartimiento del quemador, de manera que actúe como escudo contra la radiación térmica, sea una barrera contra las llamas y brinde protección contra materiales foráneos tales como grasa chorreante caliente.
- Deberá haber una distancia de por lo menos 2 pulgadas (50.8 mm) entre el suelo y el piso de la caja remota del cilindro de propano licuado.
- Se deberá tener fácil acceso a la válvula del cilindro de propano líquido para su operación manual. Es aceptable tener una puerta en la caja remota para cilindros de propano licuado para efectos de tener acceso a la válvula de dicho cilindro, siempre y cuando no tenga cierre alguno y pueda abrirse sin necesidad de herramientas.

⚠ PELIGRO

El uso de cualquier otra manguera o ensamble de regulación pudiera ser peligroso, y pudiera no brindar un suministro de gas apropiado a la barbacoa empotrada Summit®, y pudiera resultar en un fuego o explosión que causase lesiones corporales graves o la muerte y daños a la propiedad.

⚠ PELIGRO

El no utilizar un Gabinete Empotrado para Tanques Summit® para un cilindro de 20 lb o no construir una caja para cilindros de propano licuado de 20 lb de acuerdo con los requisitos de ventilación, retención del cilindro y separación del cilindro de propano licuado de fuentes de calor exigidos por la norma ANSI para artefactos de gas para cocinar al aire libre "Outdoor Cooking Gas Appliances, ANSI Z21.58 CSA 1.6"; pudiera ser peligroso y pudiera resultar en un fuego o explosión causando graves lesiones corporales o la muerte y daños a la propiedad.

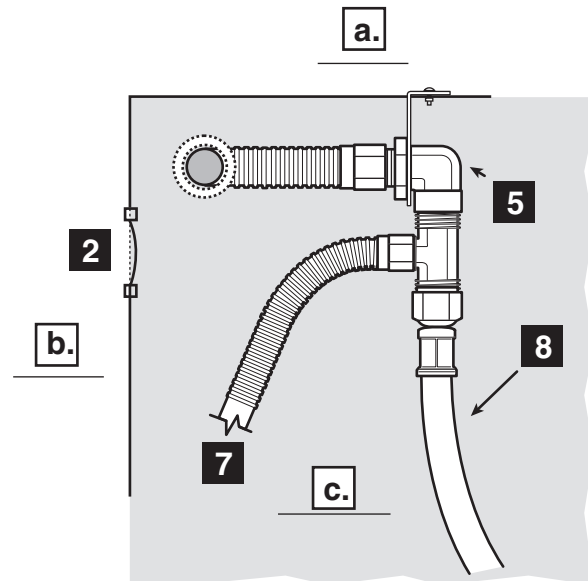
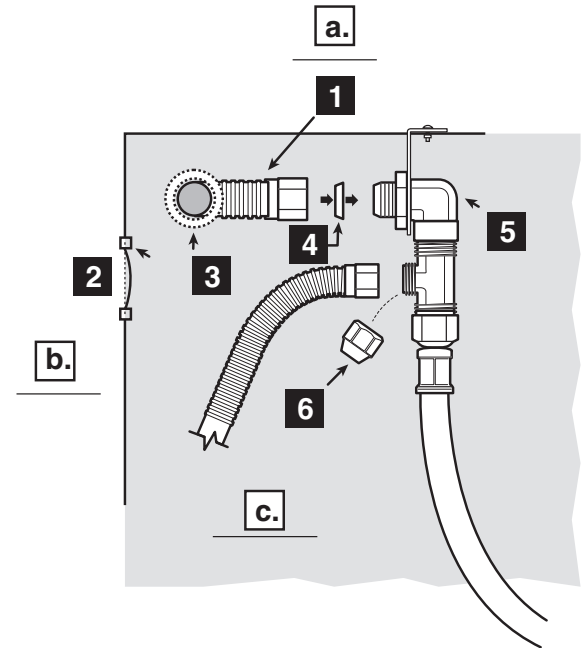
Si usted no sigue exactamente las indicaciones dadas en las declaraciones de PELIGRO, quedará anulada la garantía sobre la barbacoa de gas empotrada Summit®.

CONEXIONES DE SUMINISTRO DE PROPANO LICUADO AL QUEMADOR LATERAL

1	Línea corrugada de gas al múltiple
2	Taponee el orificio sin utilizar con el tapón suministrado
3	Use un pasamuros para el orificio de la línea de gas
4	Empaquetadura abocinada de 1/2" (12.7mm)
5	Conexión de 90°
6	Tapa (quemador lateral opcional)
7	A quemador lateral
8	Conexión al tanque de propano licuado
a.	Parte superior de la caja
b.	Parte posterior de la caja
c.	Vista lateral

CONECTAR EL SUMINISTRO DE GAS

- 1) Retire el accesorio acampanado del la conexión del quemador lateral opcional ubicado dentro del Gabinete Empotrado Summit® para Tanques.
Nota: Recomendamos enfáticamente que use el Gabinete Empotrado para Tanques Summit® (#21280) en aquellas instalaciones que utilicen un cilindro de propano licuado de 20 lb instalado remotamente en un estructura tipo "isla". Si su contratista o plomero certificado construye una caja para el cilindro de propano licuado siguiendo los lineamientos de la norma ANSI Z21.58 CSA 1.6 para artefactos de cocina al aire libre ("ANSI Standard for Outdoor Cooking Gas Appliances"), necesita ordenar el kit número (#21287).
- 2) Conecte la línea corrugada de gas a la conexión del quemador lateral.



PRUEBE LAS CONEXIONES

Para confirmar que no tengan fugas, todas las conexiones y juntas deben probarse a fondo de acuerdo a las pautas de los códigos locales y todos los procedimientos indicados en la más reciente edición de AS5601/AG601.

⚠ PELIGRO

No utilice una llama abierta para comprobar si existen fugas de gas. Asegúrese de que no haya chispas o llamas abiertas en el área mientras comprueba si existen fugas. Esto causará un fuego o explosión, las cuales pueden causar serias lesiones corporales o la muerte, y daños a la propiedad.

LLENE EL CILINDRO DE PROPANO LICUADO

Para llenar un cilindro de gas propano, llévelo a un centro de vehículos recreativos, o busque a otros suplidores bajo "gas propano" en el directorio telefónico.

⚠ ADVERTENCIA: Recomendamos llenar su cilindro de gas propano licuado con un distribuidor de gas propano autorizado que tenga un encargado debidamente calificado y que llene el tanque en base a peso.

EL LLENADO INCORRECTO ES PELIGROSO

El cilindro de propano licuado debe instalarse, transportarse y almacenarse en una posición vertical, y no deberá dejarse caer ni manipularse de manera brusca. Nunca almacene o transporte los cilindros de propano licuado en sitios donde la temperatura alcance los 125°F (51°C) (demasiado caliente para sostenerlo con la mano - por ejemplo: no deje un cilindro de propano dentro de un carro en un día caluroso). Para las instrucciones completas respecto a la manipulación segura de los cilindros de propano licuado, vea la sección "Operación".

CONEXIÓN DEL CILINDRO DE PROPANO LICUADO

Todos los reguladores de las barbacoas Weber® de gas propano licuado están equipados con una conexión de tanque certificada por los laboratorios UL de acuerdo a la más reciente edición de la norma ANSI Z21.58. Esto requerirá un tanque de propano licuado que esté igualmente equipado con una conexión Tipo 1 en la válvula del tanque. Este acoplamiento Tipo 1 permite realizar un conexión rápida y totalmente segura entre la barbacoa de gas y el tanque de propano licuado. El mismo elimina la posibilidad de fugas debido a una conexión POL que no esté debidamente apretada. El gas no fluirá del tanque a menos que el acoplamiento Tipo 1 esté completamente embebido dentro del acoplamiento.

⚠ ADVERTENCIA: Asegúrese de que la válvula del cilindro de propano licuado esté cerrada. Ciérrala girándola en la dirección de las manecillas del reloj.

⚠ PELIGRO

No utilice una llama abierta para comprobar si existen fugas de gas. Asegúrese de que no haya chispas o llamas abiertas en el área mientras comprueba si existen fugas. Chispas o llamas causarán un fuego o explosión, las cuales pueden causar serias lesiones corporales o la muerte, y daños a la propiedad.

INFORMACIÓN IMPORTANTE SOBRE EL CILINDRO DE PROPANO LICUADO

El no acatar estrictamente estos avisos de **PELIGRO** pudiera resultar en un fuego letal o causar lesiones serias.

⚠ PELIGRO

⚠ NUNCA almacene un cilindro de gas propano licuado de reserva debajo o cerca de esta barbacoa.
⚠ NUNCA llene el tanque más allá de un 80% lleno.

Su barbacoa de gas Weber® está equipada para usarse con un sistema de suministro desde cilindros diseñado para el retiro del vapor.

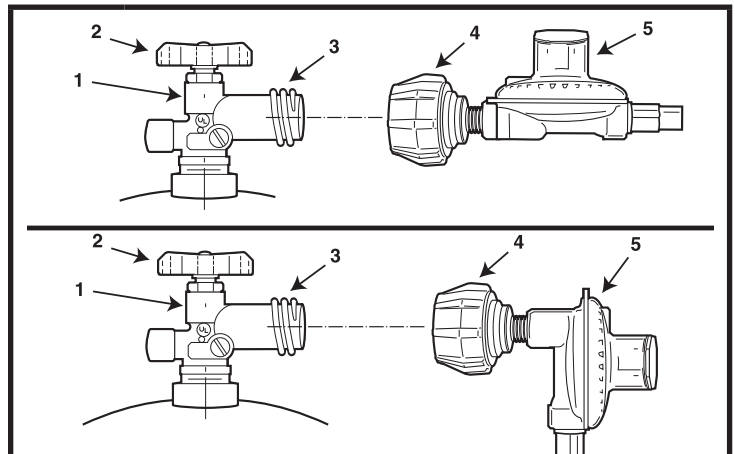
⚠ ADVERTENCIA: Solamente use esta barbacoa en un área bien ventilada al aire libre. No la use en un garaje, edificio, pasadizo techado o en cualquier otra área cerrada.

Las maneras correctas para llenar su cilindro son por peso o por volumen, según se describe en la norma NFPA-58. Por favor asegúrese de que su estación de llenado llene su cilindro de gas propano licuado midiendo el peso o el volumen. Pídale al personal de la estación de llenado que lean las instrucciones sobre cómo purgar y llenar el cilindro de gas propano licuado antes de tratar de llenarlo.

PREPARATIVOS PARA LA BÚSQUEDA DE FUGAS

VERIFIQUE QUE TODAS LAS VÁLVULAS DE LOS QUEMADORES ESTÉN CERRADAS

Las válvulas son despachadas de fábrica en la posición "OFF" (cerradas), pero usted debe verificarlo para asegurarse de que efectivamente estén cerradas. Verifíquelo presionándolas hacia abajo y girándolas hacia la derecha. Si no giran, están cerradas. Proceda al paso siguiente. Si sí girasen, continúe girándolas hacia la derecha hasta que paren; allí estarán cerradas. Proceda al paso siguiente.



ACOPLAMIENTO CONECTOR TIPO 1

1	Válvula tipo 1
2	Volante de mano
3	Rosca externa
4	Tuerca termosensible
5	Regulador de propano

Algunos tanques de propano licuado tienen ensambles diferentes del collarín superior. (El collarín superior es el aro protector de metal alrededor de la válvula.) Una serie de tanques se ensambla con la válvula hacia adelante **(a)**. Los demás tanques se ensamblan con la válvula viendo en dirección contraria a la báscula de combustible **(b)**. Weber® recomienda el uso de cilindros fabricados por las empresas Manchester y Worthington, con una capacidad de 47.6 libras de agua. Otros cilindros pudieran ser aceptables para su uso con este artefacto siempre y cuando sean compatibles con el mecanismo de retención del artefacto (vea la Ilustración para detallar el punto de contacto del mecanismo de retención).

El cilindro de propano licuado está instalado dentro de la caja o gabinete del tanque, sobre la báscula del tanque.

- 1) Gire el cilindro de propano licuado de manera que la abertura de la válvula esté viendo hacia la parte frontal, lateral o posterior de la barbacoa de gas Weber®. Levante y guinde el cilindro del indicador de nivel de combustible.
- 2) Levante el tanque y colóquelo en posición sobre la báscula del tanque.
- 3) Afloje la tuerca de orejas del seguro del cilindro. Gire el seguro del cilindro hacia abajo. Apriete la tuerca de orejas.

Para conectar la manguera al cilindro:

- 4) Retire la cubierta antipolvo de plástico de la válvula.
- 5) Enrosque el acoplamiento del regulador a la válvula del tanque, en el sentido de las agujas del reloj o hacia la derecha. Sólo apriete a mano.

Nota: Esta conexión se aprieta hacia la derecha y no permitirá que el gas fluya a menos que la conexión esté apretada. La conexión sólo requiere apretarse a mano.

⚠ ADVERTENCIA: No use una llave para apretar la conexión. Si usa una llave, podría dañar el acoplamiento del regulador y causar una fuga.

Usted necesitará: El cilindro de propano licuado, una solución de agua y jabón y un trapo o una brocha para aplicarla.

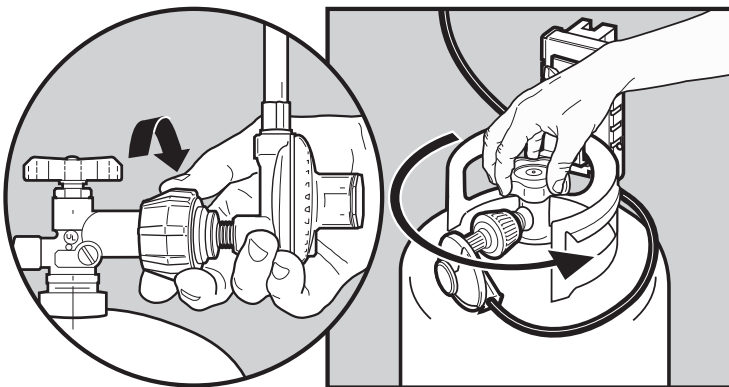
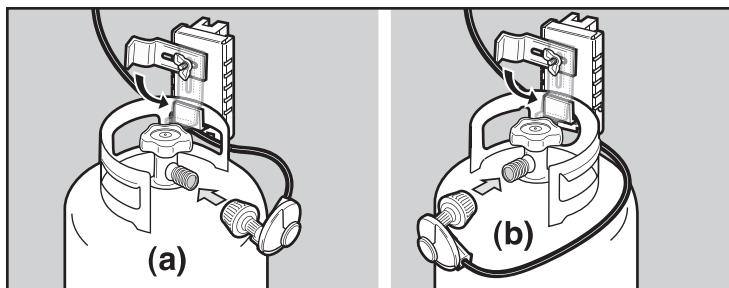
- 6) Mezcle el agua y jabón.
- 7) Abra la válvula del cilindro.
- 8) Verifique que no existan fugas mojando las conexiones con la solución de agua y jabón y viendo si se generan burbujas. Si se forman burbujas, o si una burbuja crece, es que hay una fuga.

Si hay una fuga, cierre el gas y apriete la conexión. Abra el gas de nuevo y con la solución de jabón y agua vuelva a verificar que no existan fugas.

Si la fuga no cesa no utilice la barbacoa. Contacte al Representante de Atención al Cliente en su área utilizando la información de contacto en nuestro sitio web.

Conéctese a www.weber.com.

- 9) Cuando se haya completado la comprobación de que no existen fugas de gas, cierre el suministro de gas en la fuente y enjuague las conexiones con agua.



COMPRUEBE QUE NO HAYA FUGAS DE GAS

Después de un cierto tiempo sin usarla, le recomendamos que lleve a cabo el siguiente procedimiento de mantenimiento para su seguridad.

⚠ ADVERTENCIA: Inspeccione la manguera previo a cada uso de la barbacoa y asegúrese de que no tenga muescas, grietas, abrasiones o cortes. Si se encontrase que la manguera estuviese dañada de cualquier manera, no utilice la barbacoa. Reemplácela solamente con una manguera de repuesto autorizada Summit®. Póngase en contacto con Atención al Cliente para barbacoas empotradas Summit® a través del 1-800-446-1071.

- Inspeccione el quemador para asegurarse de que esté produciendo el patrón de llamas correcto. Límpielo si fuese necesario, siguiendo los procedimientos indicados en la sección de "Mantenimiento General" de este manual.
- Revise todas las conexiones de gas para asegurarse de que no haya fugas.

⚠ PELIGRO

No utilice una llama abierta para comprobar si existen fugas de gas. Asegúrese de que no haya chispas o llamas abiertas en el área mientras comprueba si existen fugas. Chispas o llamas causarán un fuego o explosión, las cuales pueden causar graves lesiones corporales o la muerte, y daños a la propiedad.

⚠ ADVERTENCIA: Cada vez que conecte o desconecte una conexión de gas, deberá verificar que no hayan fugas de gas.

Nota - Todas las conexiones hechas en la fábrica han sido revisadas a fondo para asegurarse de que no existan fugas. Los quemadores han sido probados con las llamas encendidas. Como medida de precaución, sin embargo, usted deberá volver a revisar todas las conexiones en busca de fugas antes de utilizar la barbacoa de gas Weber®. Durante el manejo y despacho puede haberse aflojado o dañado alguna conexión de gas.

⚠ ADVERTENCIA: Lleve a cabo estas revisiones de fugas aun y cuando su barbacoa haya sido ensamblada por el distribuidor o en la tienda donde la compró.

Usted necesitará: una solución de agua y jabón y un trapo o una brocha para aplicarla.

Nota - Dado que algunas soluciones para la detección de fugas, incluyendo el agua y jabón, pueden ser ligeramente corrosivas, todas las conexiones deberán enjuagarse con agua después de realizar la búsqueda de fugas.

Asegúrese de que el quemador lateral esté APAGADO.

Para realizar la comprobación de que no existen fugas: abra la válvula del cilindro girando el manubrio de ésta hacia la izquierda.

⚠ ADVERTENCIA: No encienda los quemadores mientras esté verificando la existencia de fugas.

Compruebe la existencia de fugas mojando las conexiones con la solución de agua y jabón y viendo si se generan burbujas. Si se forman burbujas o si una burbuja crece, existe una fuga.

Verificar:

- 1) Conexión de la línea de gas corrugada al accesorio "T".
- 2) Conexión del regulador al cilindro.

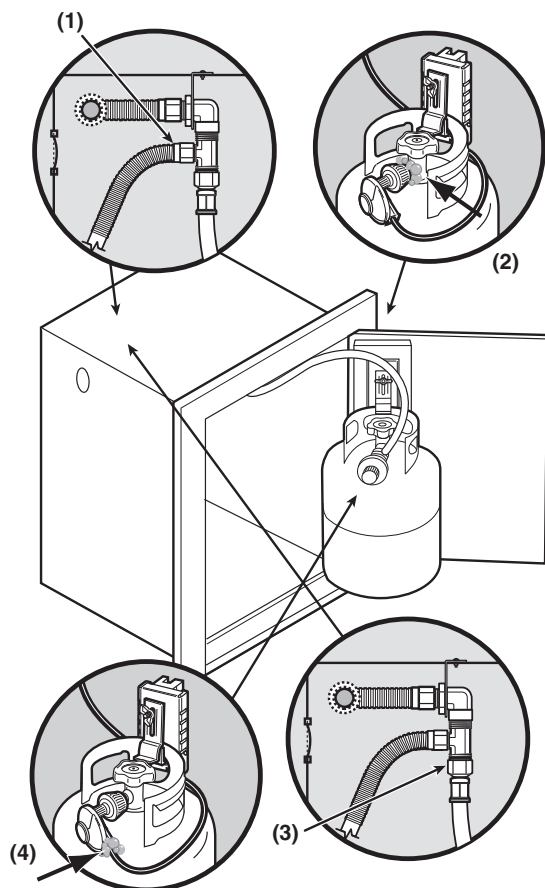
⚠ ADVERTENCIA: Si hay una fuga en una conexión (1), vuelva a apretar la conexión con una llave y vuelva a verificarla con la solución de agua y jabón. Si una fuga persiste aún después de volver a apretar la conexión, **CIERRE el gas. NO OPERE LA BARBACOA.** Póngase en contacto con Atención al Cliente a través del 1-800-446-1071.

Verificar:

- 3) Conexiones de la conexión "T" a la manguera.
- 4) Conexión de la manguera al regulador

⚠ ADVERTENCIA: Si hubiese una fuga en las conexiones (2,3 o 4), cierre el gas. **NO OPERE LA BARBACOA.** Póngase en contacto con Atención al Cliente a través del 1-800-446-1071.

Cuando se haya completado la comprobación de las fugas de gas, **CIERRE** el suministro de gas en la fuente y enjuague las conexiones con agua.



SUGERENCIAS PARA EL MANEJO SEGURO DE LOS CILINDROS DE GAS PROPANO LICUADO

- El gas propano licuado es un producto petrolero al igual que lo son la gasolina y el gas natural. El propano es un gas a temperaturas y presiones normales. Bajo presión moderada, dentro de un cilindro, el gas propano es un líquido. En la medida en que se libera la presión, el líquido se evapora fácilmente y se convierte en gas.
- El gas propano tiene un olor similar al gas natural. Usted deberá estar al tanto de este olor.
- El gas propano es más pesado que el aire. El gas propano proveniente de una fuga puede acumularse en áreas bajas y prevenir su dispersión.
- Para llenar un cilindro de gas propano, llévalo a un expendedor de gas propano, o busque a otros suplidores bajo "gas propano" en el directorio telefónico.

⚠ ADVERTENCIA: Recomendamos llenar su cilindro de gas propano licuado con un distribuidor de gas propano autorizado que tenga un encargado debidamente calificado y que llene el tanque en base a peso. **EL LLENADO INCORRECTO ES PELIGROSO.**

- Antes de su llenado inicial, el aire debe ser retirado de todo cilindro nuevo de propano licuado. Los distribuidores de propano licuado están equipados para hacerlo.
- El cilindro de propano licuado debe instalarse, transportarse y almacenarse en una posición parada. Los cilindros de propano licuado no deben dejarse caer o manipularse de manera brusca.
- Nunca almacene o transporte los cilindros de propano licuado en sitios donde la temperatura alcance los 125 ° F (52 ° C) (demasiado caliente para sostenerlo con la mano - por ejemplo: no deje un cilindro de gas propano dentro de un carro en un día caluroso).

Nota: Una llenada durará alrededor de 18 -20 horas de tiempo de cocción bajo uso normal. La escala de combustible indica el suministro de propano disponible de manera que pueda volver a llenar el tanque antes de éste vaciarse. No necesita vaciar el tanque completamente antes de volver a llenarlo.

- Trate a los cilindros de propano licuado "vacíos" con el mismo cuidado que cuando están llenos. Aun cuando el tanque de gas propano no contenga líquido todavía puede haber presión del gas en el cilindro. **Siempre cierre la válvula del cilindro antes de desconectarlo.**

⚠ PRECAUCIÓN: Siempre que el cilindro esté sin usarse, coloque la capucha antipolvo sobre el la salida de la válvula del mismo. Sólo instale sobre la salida de la válvula el tipo de capucha antipolvo con la que vino provista la misma. Otros tipos de capuchas o tapones pudieran causar fugas de propano.

- No use ningún cilindro de propano licuado dañado. Cilindros de propano licuado abollados u oxidados o con la válvula dañada son peligrosos y deberán reemplazarse por uno nuevo inmediatamente.

CILINDRO(S) DE PROPANO LICUADO

- Cada vez que se reconecte un cilindro de propano licuado, se debe revisar que la unión por donde se conecta la manguera al cilindro no presente fugas. Por ejemplo, haga la prueba cada vez que se llena el cilindro de propano licuado.
- Asegúrese de que el regulador esté montado con el pequeño agujero respiradero viendo hacia abajo de manera que no se acumule agua en él. Este respiradero debe mantenerse libre de sucio, grasa, insectos, etc.
- Las conexiones de gas suministradas con la barbacoa de gas Weber® han sido diseñadas para cumplir en un 100% con los requisitos de las normas CSA y ANSI.

⚠ ADVERTENCIA: Lo tanques de propano licuado de reemplazo deben tener conexiones compatibles con la del regulador suministrado con esta barbacoa.

REQUISITOS DE LOS CILINDROS DE PROPANO LICUADO

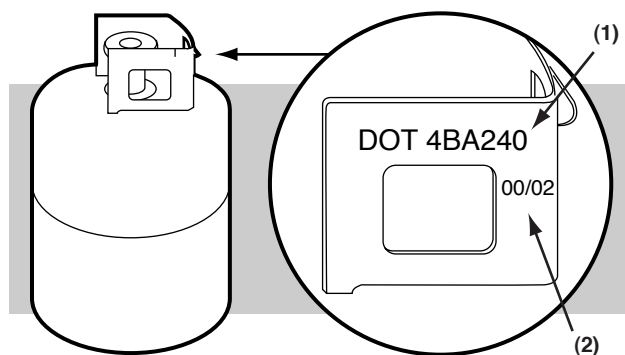
- Asegúrese de que los cilindros tengan una certificación del D.O.T. (Departamento de Transporte) (1), y que la fecha en que fueron probados (2) no sea de más de cinco años atrás. Su proveedor de propano licuado puede hacerlo por usted.
- Todos los sistemas de tanques de suministro de propano licuado deben incluir un collar que proteja la válvula del cilindro.
- El cilindro de gas debe tener un tamaño aproximado de 20 lb.. (18¼ pulgadas de alto, 12¼ pulgadas de diámetro).
- Los cilindros deben construirse y marcarse de acuerdo con las "Especificaciones para cilindros de gas propano licuado" del Departamento de Transporte (D.O.T.) de los EE.UU. o la Norma Nacional Canadiense "CAN/CSA-B339, Cilindros, esferas y tubos" o "Transporte de bienes peligrosos"; y Comisión, según aplique.

EN CANADÁ

REQUISITOS DE LOS CILINDROS DE PROPANO LICUADO

Nota: Su proveedor de venta al por menor puede ayudarle a buscar un tanque de reemplazo para su barbacoa.

- El cilindro de propano licuado debe estar construido y marcado de acuerdo con las especificaciones para cilindros de gas propano licuado, T.C.



INSTRUCCIONES PARA ENCENDER EL QUEMADOR LATERAL

⚠ PELIGRO

El no abrir la tapa mientras se esté encendiendo el quemador lateral, o no esperar 5 minutos para que el gas se disipe si el quemador lateral no se enciende, puede resultar en una llamarada explosiva, la cual puede causar lesiones corporales serias o la muerte.

- 1) Abra la tapa del quemador lateral.
- 2) Verifique que la válvula del quemador lateral esté cerrada (posición OFF). (Presione la perilla hacia abajo y gírela en dirección de las manecillas del reloj para asegurarse de que esté en la posición cerrada).

⚠ ADVERTENCIA:

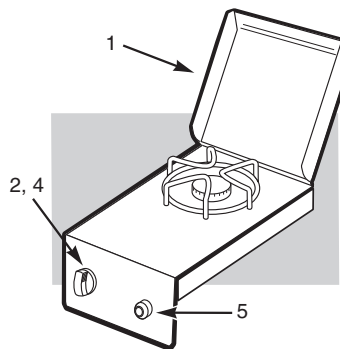
La perilla de control del quemador deberá estar en la posición OFF (apagada) antes de abrir la válvula del cilindro de propano licuado. Si no lo estuviese, cuando abra la válvula del tanque de propano licuado se activará el "control de exceso de flujo" y limitará el flujo de gas desde el cilindro de propano licuado. Si esto llegase a ocurrir, cierre la válvula del tanque de propano líquido y las perillas de control del quemador. Luego comience de nuevo.

- 3) Abra la válvula del tanque de propano licuado (gire en dirección contraria a las agujas del reloj).
- 4) Empuje hacia abajo y gire la válvula de control del quemador lateral a la posición START/HI (encendido/fuego alto).
- 5) Presione el botón de encendido y manténgalo presionado hasta que el quemador se encienda. Oirá al encendedor chisporrotear.

⚠ PRECAUCIÓN: En días soleados, la llama del quemador lateral puede ser difícil de ver.

⚠ ADVERTENCIA: Si el quemador lateral no se enciende:

- 1) Cierre la válvula de control del quemador lateral (posición OFF).



- 2) Espere 5 minutos para permitir que el gas se disipe antes de tratar de nuevo o tratar de encenderlo con un cerillo.

PARA APAGAR

Empuje la perilla de control de cada quemador hacia abajo y gírela en la dirección de las manillas del reloj a la posición OFF (apagado). Cierre el suministro de gas en la fuente del mismo.

ENCENDIDO MANUAL DEL QUEMADOR LATERAL

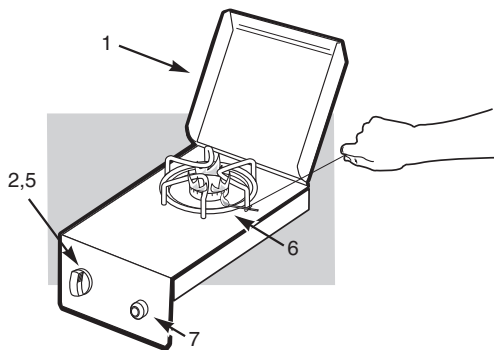
⚠ PELIGRO

El no abrir la tapa mientras se esté encendiendo el quemador lateral, o no esperar 5 minutos para que el gas se disipe si el quemador lateral no se enciende, puede resultar en una llamada explosiva, la cual puede causar lesiones corporales serias o la muerte.

- 1) Abra la tapa del quemador lateral.
 - 2) Verifique que la válvula del quemador lateral esté cerrada (posición OFF). (Empuje la perilla de control hacia adentro y gírela en dirección de las manecillas del reloj para asegurarse de que esté en la posición OFF (apagada).)
- ⚠ **ADVERTENCIA:** La perilla de control del quemador deberán estar en la posición OFF (apagada) antes de abrir la válvula del tanque de propano licuado. Si no lo estuviere, cuando abra la válvula del tanque de propano licuado se activará el “control de exceso de flujo” y limitará el flujo de gas desde el cilindro de propano licuado. Si esto llegase a ocurrir, cierre la válvula del tanque de propano líquido y las perillas de control del quemador. Luego comience de nuevo.
- 3) Abra la válvula del tanque de propano licuado (gire en dirección contraria a las agujas del reloj).
 - 4) Coloque un cerillo en el portacerillos y enciéndalo.
 - 5) Empuje hacia abajo y gire la válvula de control del quemador lateral a la posición START/HI (encendido/fuego alto).
 - 6) Aguante el portacerillos y encienda el cerillo por el lado derecho del quemador lateral.
 - 7) Presione el botón de encendido y manténgalo presionado hasta que el quemador se encienda. Oirá al encendedor chisporrotear.

⚠ **PRECAUCIÓN:** En días soleados, la llama del quemador lateral puede ser difícil de ver.

⚠ **ADVERTENCIA:** Si el quemador lateral no se enciende:



- 1) Cierre la válvula de control del quemador lateral (posición OFF).
- 2) Espere 5 minutos para permitir que el gas se disipe antes de tratar de nuevo o tratar de encenderlo con un cerillo.

ENCENDEDOR

Si el sistema de encendido no logra encender el quemador, enciéndalo con una cerilla.

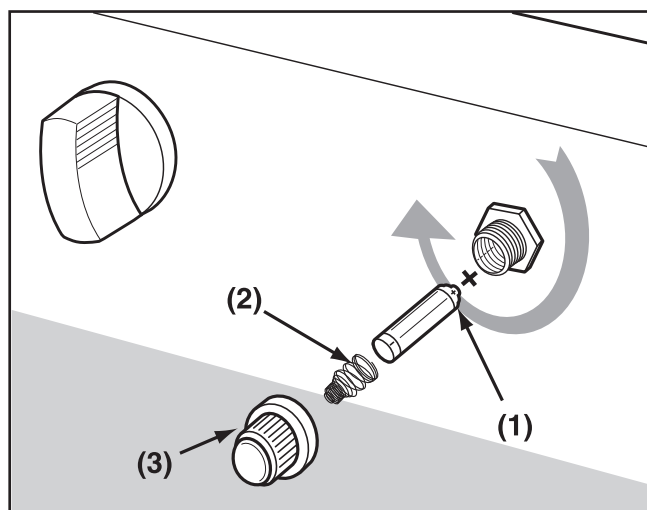
- Verifique que ambos cables de encendido(1,2) estén conectados correctamente.
- Deberá oír al encendedor chisporrotear.

Si el sistema de encendido todavía no es capaz de encender, contacte al Representante de Servicio a los Clientes en su región usando la información de contacto en nuestro sitio en la Internet. Conéctese a www.weber.com.

REEMPLACE LAS BATERÍAS DEL ENCENDEDOR

Partes requeridas: 1 Batería alcalina AA por encendedor.

Desatornille el botón de encendido de la parte superior del panel de control. Retire el botón de encendido y el resorte de contacto. Retire la batería vieja y reemplácela con una batería alcalina AA. El lado positivo (1) de la batería se coloca viendo hacia adentro como se indica en la ilustración. Vuelva a colocar al resorte de contacto (2) y atornille el botón de encendido (3) de vuelta en el compartimiento de la batería.

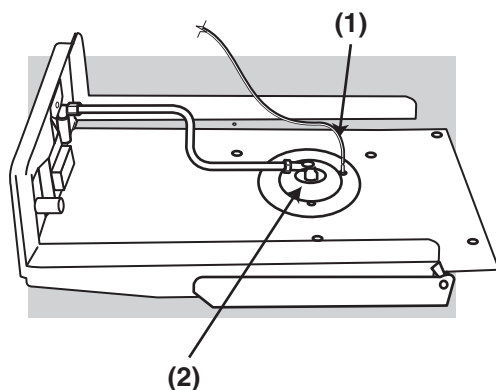


PROBLEMA	REVISAR	REMEDIO
El quemador lateral no se enciende	¿Está cerrado el suministro de gas? Puede haberse activado el dispositivo de seguridad de caudal excesivo, el cual es parte de la conexión de la barbacoa al cilindro.	Abra el suministro de gas. Para restablecer el dispositivo de seguridad de caudal excesivo cierre todas las perillas de control de los quemadores y la válvula del cilindro. Desconecte el regulador del cilindro. Gire la perilla de control a la posición START/HI (Encendido/Fuego alto). Espere por lo menos 1 minuto. Gire las perillas de control a la posición "OFF". Vuelva a conectar el regulador del cilindro. Lentamente abra la válvula del cilindro. Consulte las "Instrucciones de encendido".
La llama se mantiene baja en la posición "HI" (fuego alto).	¿Está doblada la manguera de combustible?	Enderece la manguera.
El botón de encendido no funciona.	¿Se enciende el quemador con un cerillo?	Si el quemador se enciende con un cerillo, revise el encendedor (ver "Mantenimiento del quemador lateral").
Si los problemas no pueden corregirse usando cualquiera de estos métodos, por favor contacte al Representante de Atención al Cliente en su área usando la información de contacto en nuestro sitio web. Conéctese a www.weber.com .		

MANTENIMIENTO DEL QUEMADOR LATERAL

⚠ ADVERTENCIA: Todos los controles y válvulas de suministro de gas deberán estar cerrados en la posición "OFF".

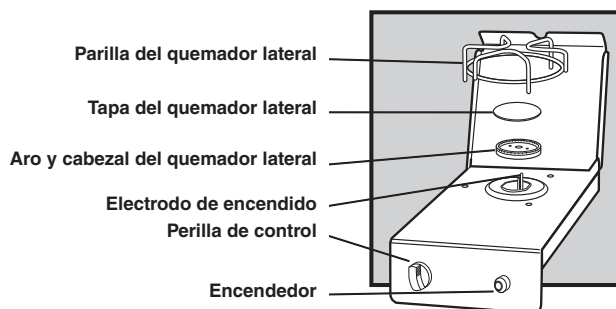
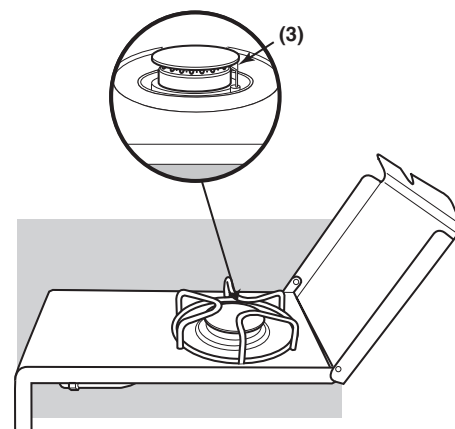
Asegúrese de que el cable negro esté conectado entre el encendedor y el electrodo.
Asegúrese de que el cable blanco esté conectado entre el encendedor y el clip de conexión a tierra.



La chispa deberá ser de color blanco/azul, no amarilla.

- 1) Cable de encendido

- 2) Cable de conexión a tierra
3) Quemador

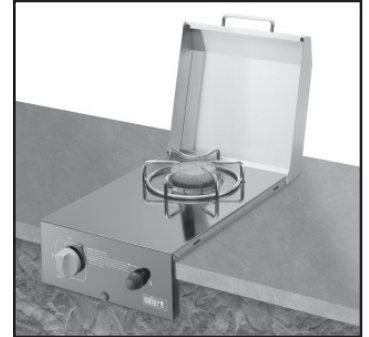


SUMMIT®



Guide d'installation/mode d'emploi du Brûleur latéral à gaz PL encastré

#89796



CES ACCESSOIRES SONT VENDUS SEPARÉMENT.

**DEBE LEER ESTA GUÍA DEL PROPIETARIO
ANTES DE PONER A FUNCIONAR LA
BARBACOA DE GAS**

⚠ PELIGRO

Si huele a gas:

1. Cierre el suministro de gas al artefacto.
2. Apague todas las flamas cerrando la valvula general de paso.
3. Abra la tapa.
4. Llame inmediatamente a la central de fugas o a su proveedor de gas.

Una fuga de gas puede provocar un incendio o explosión que puede resultar en lesiones corporales serias o la muerte, o daños a la propiedad.

⚠ NOTA IMPORTANTE: Antes de poner a funcionar la asador, siga cuidadosamente todos los procedimientos en este manual para verificar que no existan fugas. Haga esto aun y cuando la asador haya sido ensamblada por el distribuidor.

⚠ PARA SU SEGURIDAD:

1. No almacene gasolina u otros fluidos flamables en la cercanía de su aparato.
2. Ningún cilindro de propano licuado que no esté conectado para su uso deberá almacenarse cerca de éste o cualquier otro artefacto doméstico.

AVISO AL INSTALADOR:

Estas instrucciones deben permanecer con el propietario, quien las deberá guardar para un futuro uso.

**ESTE ARTEFACTO A GAS ESTÁ DISEÑADO
PARA USARSE SOLAMENTE AL AIRE LIBRE.**

⚠ NOTA IMPORTANTE: No trate de encender este artefacto sin antes leer la sección "Instrucciones para encender la asador" de este manual.



**FC - Canadian
LP**

⚠ DANGER

Le non respect des consignes intitulées Danger, Mise en garde et Attention contenues dans le présent Mode d'emploi peut entraîner une blessure grave ou la mort, ou un incendie ou une explosion provoquant des dommages à la propriété.

⚠ MISES EN GARDE

- ⚠ Ne stockez pas de bouteille de gaz propane liquide de rechange ou de bouteille de gaz propane liquide débranchée au-dessous ou à proximité de ce barbecue.
- ⚠ Un mauvais montage peut se révéler dangereux. Veuillez suivre les instructions de montage avec soin.
- ⚠ Après une période de stockage et/ou d'inutilisation, le barbecue à gaz Weber® devrait faire l'objet d'une vérification visant à détecter toute fuite et toute obstruction des brûleurs avant toute utilisation. Voir les instructions de ce manuel pour les procédures correctes.
- ⚠ N'utilisez pas le barbecue à gaz Weber® en cas de fuite.
- ⚠ N'utilisez pas de flamme pour détecter les fuites de gaz.
- ⚠ Aucune matière inflammable ne devrait jamais se trouver dans un rayon de 24 pouces par rapport à l'arrière ou aux côtés de votre barbecue à gaz Weber®.
- ⚠ Ne placez pas de bâche de protection de barbecue ni aucune matière inflammable sur la barbecue ou dans la zone de stockage au-dessous du barbecue.
- ⚠ Votre barbecue à gaz Weber® ne devrait jamais être utilisé par des enfants. Les pièces accessibles du barbecue peuvent atteindre une température très élevée. Maintenez les jeunes enfants à l'écart pendant son utilisation.
- ⚠ Vous devriez faire preuve d'une prudence raisonnable lorsque vous utilisez votre barbecue à gaz Weber®. Celui-ci sera très chaud pendant la cuisson ou le nettoyage et ne devrait jamais être laissé sans surveillance ni déplacé pendant son utilisation.
- ⚠ Si les brûleurs s'éteignent pendant l'utilisation, fermez toutes les valves de gaz. Ouvrez le couvercle puis patientez cinq minutes avant d'essayer de rallumer les brûleurs, en utilisant les instructions pour l'allumage.
- ⚠ N'utilisez pas de charbon de bois ni de pierres de lave dans votre barbecue à gaz Weber®.
- ⚠ Ne vous penchez jamais au-dessus du grill ouvert ou ne placez jamais les mains ou les doigts sur l'extrémité avant du boîtier de cuisson.
- ⚠ Si un feu de graisse se produisait, fermez tous les brûleurs et laissez le couvercle fermé jusqu'à ce que le feu s'éteigne.
- ⚠ N'élargissez pas les orifices des valves ou les ports des brûleurs lorsque vous nettoyez les valves ou les brûleurs.
- ⚠ Le barbecue à gaz Weber® devrait être nettoyé méticuleusement de façon régulière.
- ⚠ Le gaz propane liquide n'est pas du gaz naturel. La conversion ou la tentative d'utilisation de gaz naturel dans un appareil à propane liquide ou de gaz propane liquide dans un appareil à gaz naturel est dangereuse et annulera votre garantie.
- ⚠ Utilisez des gants pour barbecue résistants à la chaleur lorsque vous utilisez le barbecue.
- ⚠ Maintenez tout cordon électrique d'alimentation ainsi que le tuyau d'alimentation en combustible à l'écart de toute surface chauffée.
- ⚠ Les dérivés de combustion générés lors de l'utilisation de ce produit contiennent des agents chimiques reconnus par l'Etat de Californie comme provoquant des cancers, des anomalies congénitales ou d'autres troubles de la reproduction.
- ⚠ N'utilisez ce barbecue que si toutes les pièces sont en place. Cet appareil doit être correctement assemblé conformément aux instructions de montage.
- ⚠ Proposition 65 Avertissement : Le fait de manipuler le matériau en laiton du produit vous expose au plomb, une matière qui selon l'Etat de Californie provoque des cancers, des pathologies congénitales ou d'autres pathologies similaires. (N'oubliez pas de vous laver les mains avant de manipuler ce produit.)

APPAREILS A GAZ PROPANE UNIQUEMENT:

- ⚠ Utilisez l'ensemble régulateur de pression et tuyau fourni avec votre barbecue à gaz Weber®.
- ⚠ Ne tentez pas de déconnecter l'ensemble régulateur et tuyau de gaz ni tout autre raccord de gaz pendant que vous utilisez votre barbecue.
- ⚠ L'utilisation d'une bouteille de gaz propane liquide comportant une bosse ou d'une bouteille rouillée peut être dangereuse et une telle bouteille devrait être vérifiée par votre fournisseur de propane. N'utilisez pas une bouteille de propane liquide dont la valve est détériorée.
- ⚠ Bien que votre bouteille de propane liquide puisse sembler vide, il est possible qu'elle contienne encore du gaz, et la bouteille devrait être transportée et stockée en conséquence.
- ⚠ Si vous voyez, sentez ou entendez du gaz s'échapper de la bouteille de propane liquide:
 1. Eloignez-vous de la bouteille de propane liquide.
 2. Ne tentez pas de corriger le problème vous-même.
 3. Appelez votre service incendie.

GARANTIE

Weber-Stephen Products Co. (Weber) garantit par le présent document à l'ACHETEUR D'ORIGINE de ce grill à gaz Weber[®] que celui-ci ne comportera aucun défaut de pièce ni de main d'oeuvre à compter de la date d'achat comme suit :

Couvercle en acier inoxydable,	10 ans
Toutes les autres pièces,	5 ans

Lorsque celui-ci est monté et utilisé conformément aux instructions imprimées qui l'accompagnent. Weber peut exiger une preuve raisonnable de votre date d'achat. PAR CONSÉQUENT, VOUS DEVRIEZ CONSERVER VOTRE TICKET DE CAISSE OU VOTRE FACTURE.

La présente Garantie limitée couvre uniquement la réparation ou le remplacement des pièces qui se révèlent défectueuses dans des conditions d'utilisation et d'entretien normales et dont l'examen indique, à la satisfaction de Weber, qu'elles sont défectueuses. Avant de nous retourner toute pièce, veuillez entrer en contact avec le Représentant du service clientèle de votre région grâce aux coordonnées à votre disposition sur notre site Internet. Si Weber confirme le défaut et approuve la demande, Weber décidera de remplacer ces pièces gratuitement. Si vous devez retourner les pièces défectueuses, les frais de transport doivent être prépayés. Weber renverra les pièces à l'acheteur, frais de transport ou de poste prépayés.

La présente Garantie limitée ne couvre pas toute panne ou difficulté d'utilisation résultant d'un accident, d'une utilisation abusive, d'une mauvaise utilisation, d'une altération, d'une mauvaise application, d'un acte de vandalisme, d'une utilisation, d'une maintenance ou de réparations incorrectes, ou de l'absence de maintenance normale et régulière, y compris mais pas uniquement les détériorations provoquées par des insectes à l'intérieur des tubes du brûleur, comme indiqué dans le présent mode d'emploi.

Toute détérioration provoquée par des conditions météorologiques extrêmes telles que de la grêle, des ouragans, des séismes ou des tornades, toute décoloration résultant d'une exposition à des agents chimiques directement ou dans l'atmosphère, n'est pas couverte dans le cadre de la présente Garantie limitée.

Il n'y a aucune autre garantie expresse sauf celle présentée ici et toute garantie de commercialisation et d'adaptation à un usage particulier induite est limitée dans le temps à la période de couverture de la présente Garantie limitée écrite expresse. Certaines régions ne permettent pas la limitation de la durée d'une garantie induite, il est donc possible que cette limitation ne s'applique pas à vous.

Weber n'est responsable d'aucun dommage particulier, indirect ou induit. Certaines régions n'autorisent pas l'exclusion ou la limitation des dommages secondaires, il est donc possible que cette limitation ou exclusion ne s'applique pas à vous.

Weber n'autorise aucune personne ou société à assumer en son nom toute autre obligation ou responsabilité en relation avec la vente, l'installation, l'utilisation, le retrait, le retour, ou le remplacement de ses équipements ; et aucune représentation de ce type ne lie Weber.

La présente garantie s'applique uniquement aux produits vendus au détail.

WEBER-STEPHEN PRODUCTS CO.

Service clientèle
1890 Roselle Road, Suite 308
Schaumburg, IL 60195
USA

Pour des pièces de rechange, appelez le :

1-800-446-1071
www.weber.com[®]

UTILISATION

Ce grill à gaz Propane liquide (PL) est facile à utiliser et vous permet de contrôler davantage la cuisson par rapport à un grill à charbon.

- Ces instructions vous fourniront les bases minimales nécessaires pour l'assemblage de votre barbecue à gaz Weber[®]. Veuillez lire attentivement les instructions avant d'utiliser votre barbecue à gaz Weber[®]. Un mauvais montage pourrait se révéler dangereux.
- Ne convient pas à une utilisation par des enfants.
- Si des codes régionaux s'appliquent aux grills à gaz portatifs, vous devez les respecter. L'installation doit être conforme aux codes régionaux ou, en l'absence de tels codes, avec le Code national du gaz combustible, ANSI Z223.1/NFPA 54, le Code relatif aux installations de gaz naturel et de propane, CSA B149.1, ou au Code relatif au stockage et à la manipulation de propane, B149.2 le cas échéant.
- Vous devez utiliser le régulateur de pression fourni avec le barbecue à gaz Weber[®]. Ce régulateur est paramétré pour une colonne d'eau de 11 pouces (pression).
- Ce barbecue à gaz Weber[®] est conçu pour une utilisation avec du gaz Propane liquide (PL) uniquement. Ne l'utilisez pas avec du gaz naturel (gaz de ville). Les valves, les orifices, le tuyau et le régulateur sont compatibles avec le gaz PL uniquement.
- N'utilisez pas ce barbecue avec du charbon.
- Vérifiez que la zone située sous le panneau de commande et le plateau inférieur est dégagée de tout débris susceptible de faire obstruction à la circulation de l'air nécessaire à la combustion ou à la ventilation.
- Les zones situées autour de la bouteille de PL doivent être dégagées et ne contenir aucun débris.
- Les régulateurs de pression et les ensembles de tuyaux de rechange utilisés doivent être ceux spécifiés par Weber-Stephen Products Co.

EN CAS D'INSTALLATION AU CANADA

Les présentes instructions, bien que généralement acceptables, ne sont pas nécessairement conformes aux Codes d'installation du Canada, en particulier en ce qui concerne les canalisations aériennes et souterraines. Au Canada, l'installation de cet appareil doit respecter les codes régionaux et/ou la Norme CSA-B149.2 (Code relatif au stockage et à la manipulation de propane).

- ⚠ **MISE EN GARDE : N'utilisez ce barbecue qu'en extérieur dans une zone bien ventilée. Ne l'utilisez pas dans un garage, dans un bâtiment, dans un passage couvert ni dans tout autre espace confiné.**
- ⚠ **MISE EN GARDE : Votre barbecue à gaz encastré Summit[®] ne doit pas être utilisé sous un toit ou une suspension inflammable sans protection.**
- ⚠ **MISE EN GARDE : N'utilisez pas le barbecue dans un rayon de 24 pouces (610 mm) par rapport à tout matériau combustible, à partir du haut, du bas, de l'arrière ou des côtés du grill.**
- ⚠ **MISE EN GARDE : La totalité du boîtier de cuisson atteint une température élevée pendant l'utilisation. Ne laissez pas le barbecue sans surveillance.**
- ⚠ **MISE EN GARDE : Maintenez tout cordon d'alimentation électrique ainsi que le tuyau d'alimentation en combustible à l'écart de toute surface chauffée.**
- ⚠ **MISE EN GARDE : Maintenez la zone de cuisson dégagée de toute émanation inflammable et liquide de type essence, alcool, etc. et de tous matériaux inflammables.**
- ⚠ **MISE EN GARDE : Ne stockez jamais de bouteille de PL supplémentaire (de rechange) au-dessous ou à proximité du barbecue à gaz Weber[®].**
- ⚠ **MISE EN GARDE : Maintenez les ouvertures de ventilation de l'entourage de la bouteille dégagées de tout débris.**
- ⚠ **MISE EN GARDE : Fermez le gaz au niveau de l'arrivée de gaz PL lorsque vous n'utilisez pas l'appareil de cuisson à gaz d'extérieur.**
- ⚠ **MISE EN GARDE : Ne stockez jamais un appareil de cuisson à gaz d'extérieur à l'intérieur sauf si la bouteille de PL est déconnectée et retirée de l'appareil de cuisson à gaz d'extérieur.**
- ⚠ **MISE EN GARDE : Les bouteilles de PL doivent être stockées en extérieur, hors de portée des enfants, et ne doivent pas être stockées dans un bâtiment, dans un garage ni dans tout autre espace confiné.**

LOCALISATION DE VOTRE BRULEUR LATERAL ENCASTRE

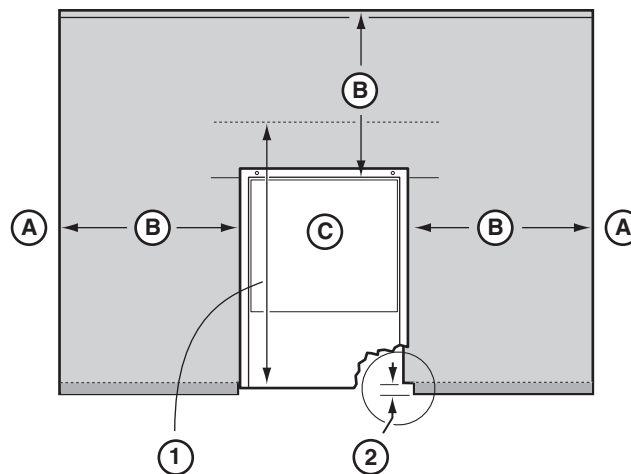
Lorsque vous réfléchissez à un emplacement adapté pour l'installation de votre Brûleur latéral encastré, faites attention à des facteurs de risque comme l'exposition au vent, la proximité des voies de passage et la nécessité de maintenir les conduites d'alimentation en gaz aussi courtes que possible. Ne situez jamais le Brûleur latéral encastré Summit® dans un garage, un passage couvert, une cabane, sous un toit suspendu non protégé, ni dans tout autre espace confiné. Situez le Brûleur latéral et la structure de sorte qu'il y ait suffisamment d'espace pour évacuer la zone en toute sécurité en cas d'incendie.

DISTANCE PAR RAPPORT AUX SURFACES OU STRUCTURES INFLAMMABLES

⚠ MISE EN GARDE : La distance par rapport aux parois externes des côtés et de l'arrière du Brûleur latéral intégré doit être au minimum de 24 pouces (61 cm) par rapport à toute surface. Voir "Installation d'arrivée de gaz typique" avant de commencer l'installation.

⚠ MISE EN GARDE : La structure, les plans de travail de "l'îlot" et les zones de travail adjacentes pour l'installation du Brûleur latéral intégré doivent être composés de matériaux non inflammables uniquement.

REMARQUE : Pour toute question concernant les matériaux considérés comme non inflammables, veuillez contacter votre revendeur de matériaux de construction ou votre service incendie.

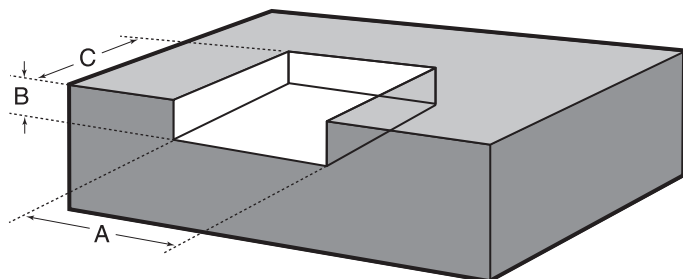


LOCALISATION DU BRULEUR LATERAL

A	Toute surface
B	24" (61 cm) par rapport à toute surface
C	Brûleur latéral
1	Espace minimum pour l'ouverture du couvercle de 24" (61 cm)
2	Remarque : Pour un traitement du plan de travail : Suspension recommandée de 3/4" (19 mm). Faire une encoche sur l'extrémité avant pour que le cadre s'encastre complètement.

DIMENSIONS POUR LE DECOUPAGE DE LA STRUCTURE ENCASTREE

Toutes les dimensions correspondent aux surfaces finies.



⚠ MISE EN GARDE : La totalité des surfaces finies du plan de travail doit être composée d'un matériau non inflammable.

BRULEUR LATERAL

	Dimensions pour le découpage	Tolérances
A	10 1/2" (26,7 cm)	+ 1/4" - 1/4" (6,35 mm)
B	3 3/4" (9,5 cm)	+ 1/4" - 1/4" (6,35 mm)
C	16 1/4" (41,3 cm)	+ 1/4" - 1/4" (6,35 mm)

LOCALISATIONS DES CONDUITES DE GAZ ENCASTREES

GENERALITES RELATIVES A LA CONSTRUCTION

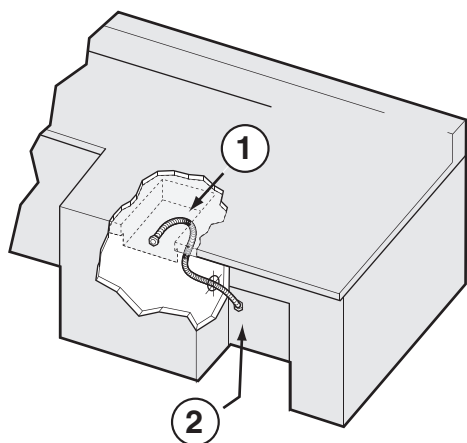
- Le Brûleur latéral encastré Summit® devrait se trouver sur place avant le début de la construction.
- Toutes les dimensions ont une tolérance de plus ou moins +/- 1/4" de pouce (6,35 mm).

Veillez fournir un accès à la conduite de gaz ondulée en fonction de l'emplacement du brûleur latéral par rapport à l'emplacement de votre arrivée de gaz principale et de votre régulateur.

La zone ne devrait comporter aucune surface coupante, irrégulière ou extrêmement abrasive afin d'éviter toute détérioration potentielle des conduites d'arrivée de gaz. Veuillez faire preuve de prudence lorsque vous tirez les conduites de gaz à travers la structure encastrée.

Une conduite de gaz ondulée en acier inoxydable de 3/8 pouce (9,52 mm) devrait être utilisée pour raccorder le brûleur latéral au couplage accessoire du régulateur.

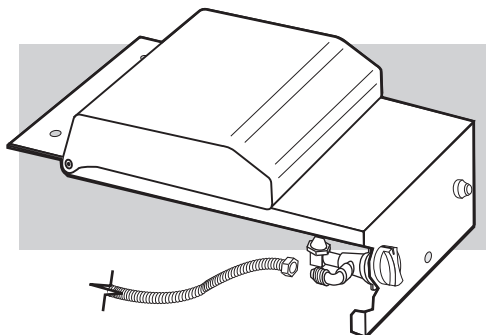
⚠ MISE EN GARDE : N'utilisez pas de tuyau de gaz en caoutchouc.



LOCALISATIONS DES CONDUITES DE GAZ	
1	Conduite de gaz ondulée inoxydable SAE de 3/8" (9,52 cm)
2	Emplacement de meuble de bouteille de gaz typique

MONTAGE DU BRULEUR LATERAL

Connectez la conduite de gaz ondulée à la valve du brûleur latéral située sur le côté arrière droit du brûleur latéral.



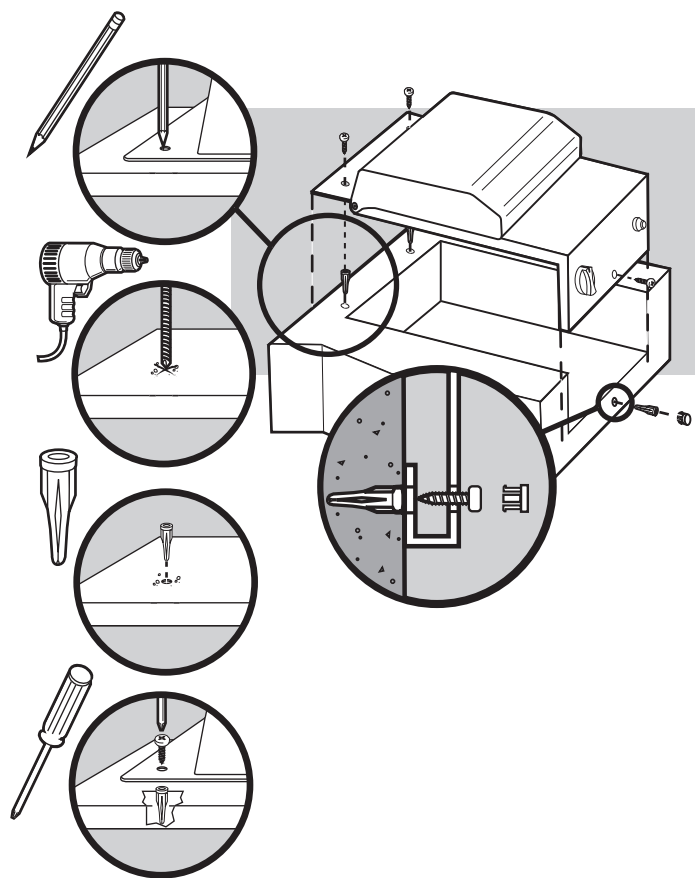
TEST DES CONNEXIONS

La totalité des raccords et des joints doit faire l'objet de test approfondis afin de détecter toute fuite conformément aux codes régionaux et à la totalité des procédures citées dans la dernière édition de l'ANSI Z223.1/NFPA 54.

⚠ DANGER

N'utilisez pas de flamme nue pour détecter les fuites. Assurez-vous de l'absence de toute étincelle ou flamme nue dans la zone pendant que vous détectez les fuites. Le non respect de cette mesure de sécurité provoquerait un incendie ou une explosion susceptible d'entraîner des blessures graves ou un décès ainsi que des dégâts matériels.

Assurez-vous de bien fixer le brûleur latéral à l'aide de vis non corrosives arimés dans la surface finie de la "structure en îlot". Remettez le cache en plastique en place sur le trou de montage à l'avant pour cacher la vis une fois que le brûleur latéral est solidement fixé.



INSTALLATION D'ARRIVEE DE GAZ PROPANE EN VRAC TYPIQUE

Nous vous recommandons de faire appel à un professionnel QUALIFIE pour effectuer cette installation.

GENERALITES RELATIVES AUX CANALISATIONS

Remarque - Veuillez entrer en contact avec votre municipalité pour vous informer sur les codes de construction réglementant les installations de grills à gaz en extérieur. En l'absence de Codes régionaux, vous devez vous conformer à la dernière édition du Code national des gaz combustibles ANSI Z223.1/NFPA 54, au code d'installation de gaz naturel et de propane, CSA B149.1, ou au Code relatif au stockage et à la manipulation de propane, B149.2, ou à la norme relative aux véhicules de loisirs, ANSI A 119.2/NFPA 1192, et CSA Z240 Série RV, Code des véhicules de loisirs, le cas échéant.

- Ce grill est conçu pour fonctionner à 11 pouces de pression de colonne d'eau. Un régulateur en ligne de PI peut être nécessaire pour cette pression.

⚠ ATTENTION : Si de jeunes enfants sont présents dans la zone, vous devriez réfléchir à l'installation d'une valve autobloquante.

- Le composé de canalisation utilisé devrait résister à l'action du propane liquide lorsque les raccords de gaz sont effectués.
- Les raccords de gaz doivent être fermement fixés à une structure rigide et permanente.

Remarque : Les informations fournies dans ce manuel sont des généralités concernant les installations typiques. Nous ne pouvons pas aborder toutes les idées d'installation possibles. Nous vous recommandons, avant l'installation, de contacter votre municipalité afin de prendre connaissance des codes de construction locaux et votre service incendie pour faire vérifier l'installation.

Pour toute question, veuillez entrer en contact avec le Service clientèle au 1-800-446-1071.

CANALISATIONS DE GAZ

- Voir le schéma des canalisations au bas de la page précédente.
- La conduite de gaz ondulée en provenance du collecteur mesure 58 pouces (1.473,2 mm). N'allongez pas la conduite de gaz.
- Nous vous avons donné les moyens de faire un raccord évasé SAE de 45°. N'utilisez pas de joint pour canalisation sur ce raccord.
- Si la longueur de conduite nécessaire ne dépasse pas 50 pieds, utilisez un tube dont le diamètre externe est de 5/8". Vous devriez utiliser une taille de plus pour les longueurs supérieures à 50 pieds. Voir le tableau des canalisations.
- Les conduites de gaz peuvent être composées de tuyaux de cuivre, de type K ou L ; des tuyaux de plastique en polyéthylène, d'une épaisseur de paroi minimale de 0,062 pouce (1,57 mm) ; ou en acier de poids standard (plan 40) ou en fer forgé.
- Les tuyaux de cuivre doivent être couverts d'étain si le gaz contient plus de 0,3 grammes de sulfure d'hydrogène pour 100 pieds cubes de gaz.
- Les tuyaux de plastique conviennent uniquement pour une utilisation souterraine en extérieur.
- Les conduites de gaz en contact avec la terre ou toute autre matière susceptible de les corroder doivent être protégées contre la corrosion selon une méthode homologuée.
- Les canalisations souterraines doivent se trouver à une profondeur minimale de 18".

Table 10-1		Capacité maximale de la conduite en pieds cubes de gaz par heure pour des pressions de gaz de 0,5 psi ou moins et une chute de pression de 0,3 pouces sur la colonne d'eau. (Sur la base d'un gaz à gravité spécifique de 0,60)													
Taille normale de la conduite en fer (Pouces)	Diamètre interne (Pouces)	Longueur de la conduite (Pieds)													
		10	20	30	40	50	60	70	80	90	100	125	150	175	200
1/4	0,364	32	22	18	15	14	12	11	11	10	9	8	8	7	6
3/8	0,493	72	49	40	34	30	27	25	23	22	21	18	17	15	14
1/2	0,622	132	92	73	63	56	50	46	43	40	38	34	31	28	26
3/4	0,824	278	190	152	130	115	105	96	90	84	79	72	64	59	55
1	1,049	520	350	285	245	215	195	180	170	160	150	130	120	110	100
1 1/4	1,380	1050	730	590	500	440	400	370	350	320	305	275	250	225	210
1/12	1,160	1600	1100	890	760	670	610	560	530	490	460	410	380	350	320
2	2,067	3050	2100	1650	1450	1270	1150	1050	990	930	870	780	710	650	610
2 1/2	2,469	4800	3300	2700	2300	2000	1850	1700	1600	1500	1400	1250	1130	1050	980
3	3,068	8500	5900	4700	4100	3600	3250	3000	2800	2600	2500	2200	2000	1850	1700
4	4,026	17500	12000	9700	8300	7400	6800	6200	5800	5400	5100	4500	4100	3800	3500

© 1997 National Fire Protection Association, Inc. et International Approval Services - U.S., Inc. Tous droits réservés.

TEST DES RACCORDS

La totalité des raccords et des joints doit faire l'objet de tests méticuleux afin de détecter toute fuite éventuelle conformément aux codes régionaux et à la totalité des procédures figurant dans la dernière édition du Code national des gaz combustibles ANSI Z223.1/NFPA 54, du Code des installations de gaz naturel et de propane liquide, CSA B149.1, ou du Code relatif au stockage et à la manipulation de propane, B149.2, ou à la Norme relative aux véhicules de loisir, ANSI A 119.2/NFPA 1192, et CSA Z240 Série RV, Code relatif aux véhicules de loisir, le cas échéant.

⚠ DANGER

N'utilisez pas de flamme nue pour détecter les fuites de gaz. Assurez-vous de l'absence de toute étincelle ou flamme nue dans la zone pendant que vous détectez les fuites de gaz. Ceci entraînerait un incendie ou une explosion susceptible de provoquer une blessure grave ou un décès ainsi que des dégâts matériels.

INSTALLATION D'ARRIVÉE DE GAZ PROPANE LIQUIDE TYPIQUE AVEC UNE BOUTEILLE DE 20 LBS

Nous vous recommandons fortement d'utiliser le Meuble de bouteille de gaz encastré Summit® (N° 21280) pour les installations utilisant une bouteille de PL de 20 lbs, montée à distance dans une structure en "îlot".

Le Meuble de bouteille encastrée Summit® est un accessoire homologué CSA pour l'installation d'une bouteille de PL de 20 lbs montée à distance, dans une structure en "îlot". Le Meuble de bouteille encastrée Summit® est pourvu d'un ensemble tuyau et régulateur, et de raccords de gaz, pour raccorder une bouteille de PL montée à distance au grill à gaz encastré Summit®. L'ensemble tuyau et régulateur est considéré comme une pièce nécessaire du grill à gaz encastré Summit® homologué CSA.

Le Meuble de bouteille encastrée Summit® est également conforme aux exigences de ventilation, de rétention de la bouteille de gaz et de séparation entre la bouteille de PL et une source de chaleur comme indiqué dans la Norme ANSI relative aux appareils de cuisson à gaz d'extérieur, Z21.58/CSA 1.6 pour les entourages de bouteilles de PL. Le Meuble de bouteille de gaz encastrée Summit® est livré avec un guide d'installation séparé.

Si vous n'utilisez pas le Meuble de bouteille de gaz encastrée Summit®, vous devez engager un sous-traitant homologué ou un plombier qualifié et ils devront suivre les exigences de la Norme ANSI relative aux appareils de cuisson à gaz d'extérieur, Z21.58/CSA 1.6 pour les entourages de bouteilles de PL.

Les exigences de la Norme relative aux appareils de cuisson à gaz d'extérieurs, Z21.58/CSA 1.6. sont les suivantes :

Un entourage distant de bouteille de PL devrait être ventilé par des ouvertures aux niveaux supérieur et inférieur de la bouteille de gaz. Ceci sera assuré au moyen de l'un des procédés ci-dessous :

- Un côté de l'entourage de la bouteille de PL distante devra être complètement ouvert ; ou
- Si l'entourage de la bouteille de PL est conçu pour avoir quatre côtés, une ventilation en haut et en bas est nécessaire pour l'entourage de la bouteille de PL distante ;
 - Il devrait y avoir au moins deux ouvertures de ventilation, (un trou ou un ensemble de trous, dont l'objectif est la ventilation) dans les parois de la structure en îlot. Les ouvertures devraient être situées dans un rayon de 5 pouces (127 mm) par rapport au haut de l'entourage. Les ouvertures de ventilation devraient être de taille égale et espacées d'un minimum de 90 degrés, et ils ne devraient pas être obstrués. Ces ouvertures couvriront une surface dégagée totale de 20 pouces carrés au minimum. (Ceci équivaut à 1 pouce carré de ventilation par livre de capacité de stockage de combustible).

- Des ouvertures de ventilation (un trou ou un ensemble de trous dont l'objectif est d'assurer la ventilation) devraient être fournies au niveau du sol. Ces ouvertures de ventilation devraient couvrir une surface dégagée totale de 10 pouces carrés au minimum. (Ceci équivaut à 1/2 pouce carré de surface de ventilation par livre de capacité de stockage de combustible). Il devrait y avoir au moins deux ouvertures de ventilation si les ouvertures de ventilation au niveau du sol sont situées sur la paroi. Les ouvertures de ventilation devraient se situer dans un rayon de 5 pouces (127 mm) par rapport au sol. Ces ouvertures de ventilation devraient être de même taille et espacées d'un minimum de 90 degrés, et elles ne devraient pas être obstruées.
- La taille minimale du/des trou(s) de ventilation ne devrait pas être inférieure à 1/4 de pouce.
- Les ouvertures de ventilation dans les parois ne devrait pas permettre la ventilation à l'intérieur de la zone vide ou "cylindrique" de "l'îlot". En cas de fuite de gaz ou si la bouteille de PL se vidait dans l'entourage de la bouteille de PL, le gaz ne devrait pas pouvoir se diffuser vers ou migrer à l'intérieur de la zone vide ou "cylindrique" de "l'îlot". Les ouvertures de ventilation dans les parois de l'entourage devraient communiquer uniquement avec l'extérieur de la structure en "îlot", de sorte que le gaz puisse se dissiper au dehors de la structure en "îlot".

c). Si l'entourage de la bouteille de PL distante a quatre côtés, une partie haute et une partie inférieure, et est conçu pour une installation dans un entourage en "îlot" encastré ;

- Au moins une ouverture de ventilation (un trou ou un ensemble de trous, dont l'objectif est d'assurer la ventilation) doit se trouver sur un côté de l'entourage qui communique avec l'extérieur de la structure en "îlot". En cas de fuite de gaz ou si la bouteille de PL laissait s'échapper du gaz à l'intérieur de l'entourage, ce gaz ne devrait pas pouvoir sortir vers ou migrer dans la surface vide ou "cylindrique" de "l'îlot". Les ouvertures de ventilation ne devraient communiquer qu'avec l'extérieur de la structure en "îlot", de sorte que le gaz puisse se dissiper à l'extérieur de la structure en "îlot". L'ouverture de ventilation devrait être située dans un rayon de 5 pouces (127 mm) par rapport au haut de l'entourage, et devrait couvrir une surface dégagée totale de 20 pouces carrés. (Ceci correspond à 1 pouce carré de surface de ventilation par livre de combustible stocké).
- Au moins une ouverture de ventilation (un trou ou un ensemble de trous, dont l'objectif est d'assurer la ventilation) doit se trouver sur un côté de l'entourage qui communique avec l'extérieur de la structure en "îlot", en bas. En cas de fuite de gaz ou si la bouteille de PL laissait s'échapper du gaz dans l'entourage, ce gaz ne devrait pas pouvoir aller vers ou migrer dans la zone vide ou "cylindrique" de "l'îlot". Les ouvertures de ventilation ne devraient communiquer qu'avec l'extérieur de la structure en "îlot" de sorte que le gaz puisse se dissiper à l'extérieur de celle-ci. L'ouverture de ventilation devrait se situer dans un rayon de 5 pouces (127 mm) par rapport à la partie basse de l'entourage, et devrait avoir une surface dégagée totale de 10 pouces carrés. (Ceci correspond à 1/4 de pouce carré de surface de ventilation par livre de combustible stocké).
- La taille minimale du/des trou(s) de ventilation ne devrait pas être inférieure à 1/4 de pouce (6,35 mm).
- L'entourage de la bouteille de PL distante devrait être composé de matériaux non inflammables. L'entourage de la bouteille de PL distante devrait isoler la bouteille de gaz par rapport au compartiment du brûleur, de façon à la protéger contre toute radiation, former un obstacle de protection contre les flammes et assurer une protection contre tout corps étranger comme des écoulements de graisse chaude.
- Il devrait y avoir un minimum de 2 pouces (50,8 mm) entre le sol et le plancher de l'entourage de la bouteille de PL distante.
- La valve de la bouteille de PL devrait être accessible facilement pour une manipulation manuelle. Une porte située sur l'entourage de la bouteille de PL distante permettant d'accéder à la valve de la bouteille de PL est acceptable, à condition qu'elle ne soit pas verrouillable et qu'on puisse l'ouvrir sans avoir recours à un outil.

⚠ DANGER

L'utilisation de tout autre ensemble tuyau et régulateur pourrait se révéler dangereuse et pourrait ne pas fournir une alimentation en gaz correcte pour le grill à gaz encastré Summit®, et pourrait entraîner un incendie ou une explosion provoquant une blessure ou un décès ainsi que des dégâts matériels.

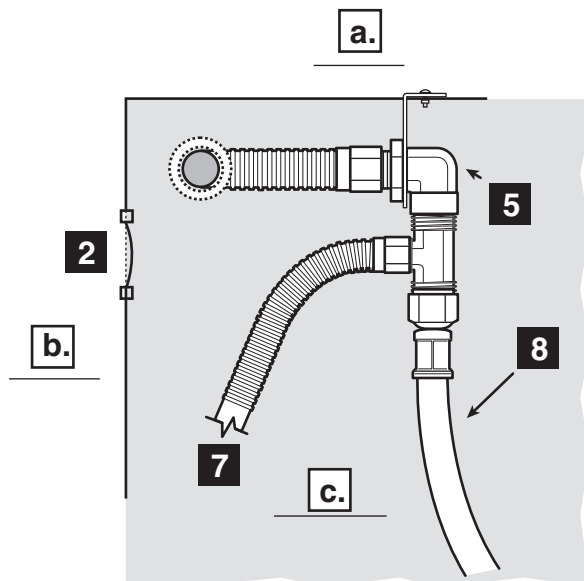
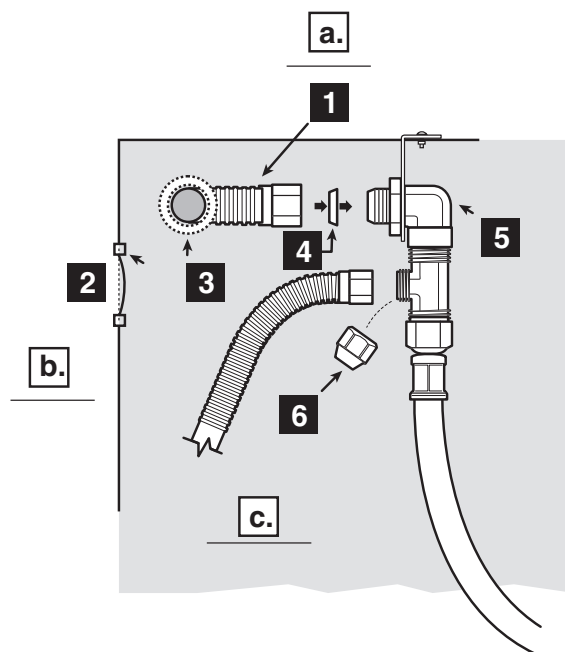
⚠ DANGER

Le fait de ne pas utiliser le Meuble de bouteille encastrée Summit® pour une bouteille de gaz de 20 lbs ou de ne pas construire d'entourage de bouteille de PL pour une bouteille de gaz de 20 lbs conformément aux exigences de ventilation, de rétention de la bouteille de gaz et de séparation de la bouteille de PL par rapport à une source de chaleur, figurant dans la Norme ANSI relative aux appareils de cuisson à gaz d'extérieur, ANSI Z21.58 CSA 1.6, pourrait se révéler dangereux, et pourrait entraîner un incendie ou une explosion provoquant une blessure grave ou un décès ainsi que des dégâts matériels.

Si vous ne suivez pas les consignes intitulées DANGER exactement, la Garantie du grill à gaz encastré Summit® sera annulée.

RACCORDEMENT DE L'ARRIVEE DE GAZ

- 1) Retirez le cache du raccord évasé du raccord du brûleur latéral en option situé à l'intérieur du Meuble de la bouteille de gaz encastrée Summit® (pièce N° 21280).
Remarque : Nous vous encourageons fortement à utiliser le Meuble de bouteille de gaz encastrée Summit® (pièce N° 21280) pour les installations utilisant une bouteille de PL de 20 lbs, montée à distance dans une structure en "îlot".
Si votre installateur agréé ou votre plombier agréé construit un entourage pour la bouteille de PL conformément aux recommandations de la Norme ANSI relative aux appareils de cuisson à gaz d'extérieur, Z21.58 CSA 1.6, vous devrez commander le kit numéro (N° 21287).
- 2) Raccordez la conduite de gaz ondulée au Raccord du brûleur latéral.

**RACCORDEMENTS D'ARRIVEE DE GAZ PL DU BRULEUR LATERAL**

1	Conduite de gaz ondulée vers le collecteur
2	Cacher le trou inutilisé avec le cache fourni
3	Utilisez une douille pour le trou de la conduite de gaz
4	Joint évasé de 1/2" (12,7 mm)
5	Raccord à 90°
6	Cache (Brûleur latéral en option)
7	Vers le brûleur latéral
8	Raccord vers la bouteille de PL
a	Haut du boîtier
b	Arrière du boîtier
c	Vue latérale

TEST DES RACCORDS

La totalité des raccords et des joints doit faire l'objet de tests approfondis afin de détecter toute fuite éventuelle conformément aux codes régionaux et à la totalité des procédures figurant dans la dernière édition de l'AS5601/AG601.

⚠ DANGER

N'utilisez pas de flamme nue pour détecter les fuites de gaz. Assurez-vous de l'absence de toute étincelle ou flamme nue dans la zone pendant que vous détectez les fuites. Ceci entraînerait un incendie ou une explosion susceptible de provoquer une blessure grave ou un décès ainsi que des dégâts matériels.

RECHARGEMENT DE LA BOUTEILLE DE PROPANE LIQUIDE

Pour remplir la bouteille, emmenez la bouteille de propane liquide et l'adaptateur de remplissage à un centre RV ou cherchez à fournisseur de gaz PL dans l'annuaire pour d'autres sources de gaz propane liquide.

⚠ MISE EN GARDE : Nous vous recommandons de faire remplir votre bouteille de gaz propane liquide auprès d'un revendeur de gaz propane liquide agréé par un employé qualifié, qui remplit la bouteille au poids.

UN MAUVAIS REMPLISSAGE EST DANGEREUX.

La bouteille de propane liquide doit être installée, transportée et conservée en position verticale, et ne devrait ni être lâchée ni manipulée brutalement. Ne conservez ou ne transportez jamais la bouteille de propane liquide dans des lieux où la température peut atteindre 125°F/51°C (trop chaud pour une manipulation à la main – par exemple : ne laissez pas la bouteille de propane liquide dans une voiture par une journée chaude). Pour des instructions complètes sur la manipulation en toute sécurité des bouteilles de gaz propane liquide, voir la Section "Utilisation".

INFORMATIONS IMPORTANTES RELATIVES A LA BOUTEILLE DE PL

Le non respect strict des consignes de sécurité intitulées **DANGER** pourrait entraîner un incendie provoquant la mort ou une blessure grave.

⚠ DANGER

Ne stockez JAMAIS une Bouteille de PL de recharge au-dessous ou à proximité de ce barbecue.

⚠ Ne remplissez JAMAIS la bouteille à plus de 80%.

Votre grill à gaz Weber® est équipé pour être raccordé à un dispositif d'alimentation de bouteille de gaz conçu pour éliminer les émanations.

⚠ MISE EN GARDE : N'utilisez ce grill qu'en extérieur dans une zone bien ventilée. Ne l'utilisez pas dans un garage, dans un passage couvert ni dans toute autre zone confinée.

Les méthodes de remplissage correctes pour le rechargement de votre bouteille de gaz sont le remplissage au poids ou au volume, tel que décrit par la norme NFPA 58. Veuillez vous assurer que votre station de remplissage remplit votre bouteille de PL au poids ou au volume. Demandez au personnel de votre station de remplissage de lire les consignes de purge et de remplissage figurant sur la bouteille de PL avant de tenter de la remplir.

PREPARATION DE LA DETECTION DES FUITES

VERIFIEZ QUE TOUTES LES VALVES DES BRULEURS SONT FERMEES

Les valves sont expédiées en position fermée ("OFF"), mais vous devriez les vérifier pour vous assurer qu'elles sont fermées. Vérifiez en les enfonçant et en les tournant dans le sens des aiguilles d'une montre. Si elles ne tournent pas, elles sont fermées. Passez à l'étape suivante. Si elles tournent, continuez à les tourner jusqu'à ce qu'elles ne tournent plus, elles sont maintenant fermées. Passez à l'étape suivante.

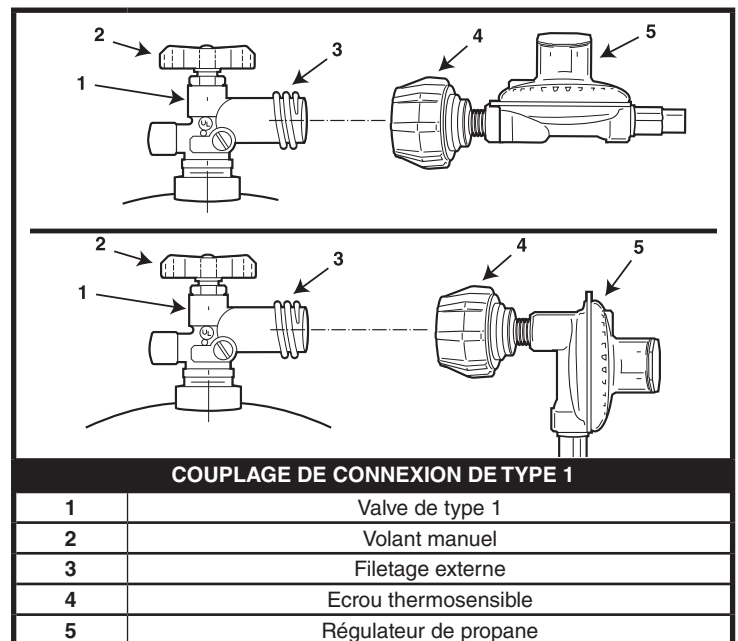
CONNEXION DE LA BOUTEILLE DE PROPANE LIQUIDE

Tous les régulateurs de grills à gaz propane liquide Weber® sont pourvus d'un raccord de gaz homologué par l'UL conformément à la dernière édition de l'ANSI Z21.58. Ceci nécessite une bouteille de propane liquide qui est également équipée d'un raccord de Type 1 dans la valve de la bouteille. Ce couplage de Type 1 vous permet de réaliser un raccord rapide et sans aucun danger entre votre grill à gaz et votre bouteille de propane liquide. Cela élimine la possibilité de fuites dues à un raccord de PL mal serré. Le gaz ne sort pas de la bouteille tant que le couplage de Type 1 n'est pas complètement engagé dans le couplage.

⚠ MISE EN GARDE : Assurez-vous que la valve de la bouteille de PL est fermée. Fermez-la en tournant la valve dans le sens inverse des aiguilles d'une montre.

⚠ DANGER

N'utilisez pas de flamme nue pour détecter les fuites. Assurez-vous de l'absence d'étincelles ou de flammes nues dans la zone lorsque vous détectez les fuites. Des étincelles ou des flammes provoqueront un incendie ou une explosion susceptible de provoquer une blessure grave ou un décès ainsi que des dégâts matériels.



Certaines bouteilles de PL ont des assemblages de collier supérieur différents. (Le collier supérieur est la bague de protection métallique autour de la valve.) Une série de bouteille se monte avec la valve orientée vers l'avant (a). Les autres bouteilles se montent avec la valve orientée à l'opposé du support de la bouteille (b). Weber® recommande l'utilisation des bouteilles des fabricants Manchester et Worthington, d'une capacité de 47,6 lb de liquide. D'autres bouteilles peuvent être acceptables pour une utilisation avec l'appareil à condition qu'elles soient compatibles avec le moyen de rétention de l'appareil (voir l'illustration pour le point de contact du moyen de rétention).

La bouteille de PL est installée à l'intérieur de l'entourage de la bouteille ou du meuble de la bouteille, sur le support de la bouteille.

- 1) Faites pivoter la bouteille de PL de sorte que l'ouverture de la valve se trouve à l'avant, sur le côté ou à l'arrière du barbecue à gaz Weber®. Soulevez et accrochez la bouteille de gaz sur la jauge de carburant.
- 2) Soulevez la bouteille pour la positionner sur son support.
- 3) Desserrez l'écrou à oreilles de verrouillage de la bouteille. Abaissez le verrou de la bouteille. Serrez l'écrou à oreilles.

Pour connecter le tuyau à la bouteille :

- 4) Retirez le cache en plastique de protection contre la poussière de la valve.
- 5) Vissez le couplage du régulateur sur la valve de la bouteille, dans le sens des aiguilles d'une montre, ou vers la droite. Serrez à la main uniquement.

Remarque : Ce raccord se serre dans le sens des aiguilles d'une montre et ne permet pas au gaz de sortir tant que le raccord n'est pas serré. Ce raccord doit être serré à la main uniquement.

⚠ MISE EN GARDE : N'utilisez pas de clé pour serrer le raccord. L'utilisation d'une clé risquerait de détériorer le couplage du régulateur et pourrait provoquer une fuite.

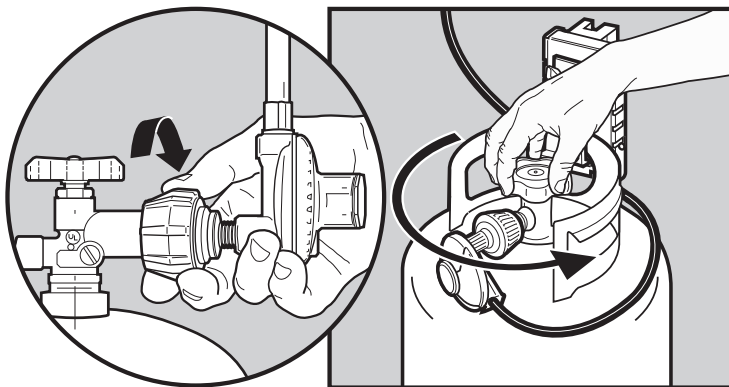
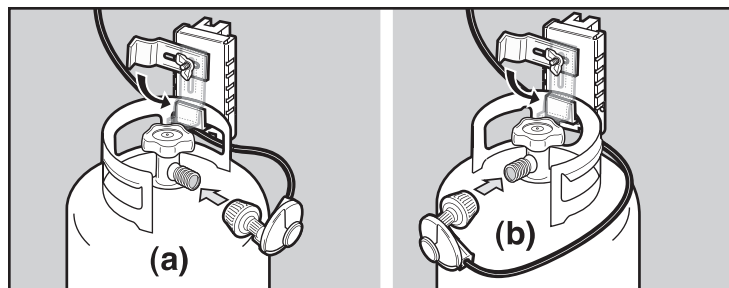
Il vous faudra : Une bouteille de PL, une solution d'eau savonneuse et un chiffon ou un pinceau pour l'appliquer.

- 6) Mélangez le savon et l'eau.
- 7) Ouvrez la valve de la bouteille.
- 8) Détectez les fuites en humidifiant le raccord avec une solution d'eau savonneuse et en regardant si des bulles se forment. Si des bulles se forment, ou si une bulle grossit, cela indique la présence d'une fuite.

En cas de fuite, fermez le gaz et serrez le raccord. Ouvrez à nouveau le gaz et vérifiez une nouvelle fois à l'aide de la solution d'eau savonneuse.

Si la fuite persiste, n'utilisez pas le barbecue. Veuillez entrer en contact avec le représentant du Service clientèle le plus proche grâce aux coordonnées à votre disposition sur notre site Internet. Connectez-vous sur www.weber.com.

- 9) Lorsque la détection des fuites est terminée, fermez l'arrivée de gaz à la source et rincez les raccords à l'eau.



DETECTION DES FUITES DE GAZ

Après une période d'inutilisation, nous vous recommandons d'effectuer les procédures de maintenance suivantes pour votre sécurité.

⚠ MISE EN GARDE : Vérifiez le tuyau avant chaque utilisation du grill afin de détecter toute encoche, fissure, abrasion ou coupure. Si le tuyau se révèle détérioré de quelque manière, n'utilisez pas le grill. Remplacez le tuyau par un tuyau de rechange homologué Summit® uniquement. Contactez le Service clientèle des encastresments Summit® au 1-800-446-1071.

- Inspectez le brûleur afin de vérifier si la forme de la flamme est correcte. Nettoyez si nécessaire, en suivant les procédures présentées dans la section "Maintenance générale" de ce manuel.
- Vérifiez la totalité des raccords de gaz afin de détecter les fuites.

⚠ DANGER

N'utilisez pas de flamme nue pour détecter les fuites de gaz. Assurez-vous de l'absence d'étincelle ou de flamme nue dans la zone pendant que vous détectez les fuites. Des étincelles ou une flamme nue provoqueraient un incendie ou une explosion susceptible de provoquer une blessure grave ou un décès ainsi que des dégâts matériels.

⚠ MISE EN GARDE : Vous devriez détecter les fuites de gaz chaque fois que vous déconnectez puis reconnectez un raccord de gaz.

Remarque - La totalité des raccords effectués en usine a fait l'objet d'un contrôle de détection des fuites approfondi. Les brûleurs ont été testés à la flamme. Par mesure de sécurité cependant, vous devriez vérifier à nouveau la totalité des raccords afin de détecter toute fuite éventuelle avant toute utilisation de votre Barbecue à gaz Weber. Le transport et la manipulation peuvent desserrer ou détériorer un raccord de gaz.

⚠ MISE EN GARDE : Veuillez effectuer ces contrôles de détection des fuites même si votre barbecue a été assemblé par un revendeur ou en boutique.

Il vous faudra : une solution d'eau savonneuse, et un tissu ou un pinceau pour l'appliquer.

Remarque - Dans la mesure où certaines solutions de détection des fuites, y compris l'eau savonneuse, peuvent se révéler légèrement corrosives, tous les raccords devraient être rincés à l'eau après la détection des fuites. Assurez-vous que le brûleur latéral est positionné sur OFF.

Pour détecter les fuites : ouvrez la valve de la bouteille de gaz en tournant la molette manuelle de la valve de la bouteille de gaz dans le sens inverse des aiguilles d'une montre.

⚠ MISE EN GARDE : N'allumez pas les brûleurs lorsque vous détectez les fuites.

Détectez les fuites en humidifiant les raccords à l'aide de la solution d'eau savonneuse puis en regardant si des bulles se forment. Si des bulles se forment ou si une bulle grossit, cela indique la présence d'une fuite.

Vérifiez :

- 1) Le raccord "T" entre la conduite de gaz ondulée et l'accessoire
- 2) Le raccord entre le régulateur et la bouteille de gaz.

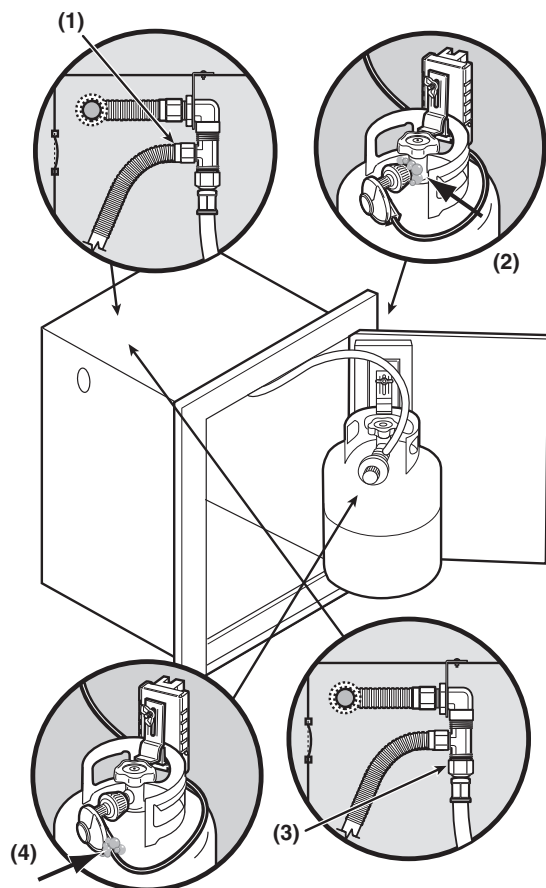
⚠ MISE EN GARDE : En cas de fuite au niveau du raccord (1), resserrez le raccord avec une clé puis vérifiez les fuites à l'aide de la solution d'eau savonneuse. En cas de persistance d'une fuite une fois que vous avez resserré le raccord, fermez le gaz (OFF). N'UTILISEZ PAS LE GRILL. Contactez le Service clientèle au 1-800-446-1071.

Vérifiez :

- 3) Les raccords entre les raccords "T" et le tuyau.
- 4) Le raccord entre le tuyau et le régulateur.

⚠ MISE EN GARDE : En cas de fuite au niveau des raccords (2,3, ou 4), fermez le gaz (OFF). N'UTILISEZ PAS LE GRILL. Contactez le Service clientèle au 1-800-446-1071.

Lorsque vous avez terminé la détection des fuites, fermez l'arrivée de gaz (OFF) à la source et rincez les raccords à l'eau.



ASTUCES POUR UNE MANIPULATION SANS DANGER DES BOUTEILLES DE GAZ PROPANE LIQUIDE

- Le gaz Propane liquide (PL) est un produit dérivé du pétrole comme le sont l'essence et le gaz naturel. Le gaz PL est gazeux à des températures et à des pressions ordinaires. Soumis à une pression modérée, à l'intérieur d'une bouteille de gaz, le gaz PL est liquide. Au fur et à mesure que la pression diminue, le liquide vaporise rapidement et devient gazeux.
- L'odeur du gaz PL ressemble à celle du gaz naturel. Vous devriez avoir conscience de cette odeur.
- Le gaz PL est plus lourd que l'air. Du gaz PL s'échappant d'une fuite peut s'accumuler dans des espaces proches du sol, ce qui empêcherait sa dispersion.
- Pour remplir la bouteille de PL, emmenez-la chez un revendeur de gaz propane, ou cherchez à "gaz propane" dans l'annuaire pour d'autres source de gaz PL.

⚠ MISE EN GARDE : Nous vous recommandons de faire remplir votre bouteille de PL auprès d'un revendeur de gaz PL agréé, par du personnel qualifié, qui remplit la bouteille au poids. UN REMPLISSAGE INCORRECT EST DANGEREUX.

- L'air doit être extrait d'une bouteille de PL neuve avant que celle-ci soit remplie pour la première fois. Votre revendeur de PL est équipé pour effectuer cette opération.
- La bouteille de PL doit être installée, transportée et stockée en position verticale. Les bouteilles de PL ne devraient pas être lâchées ou manipulées brutalement.
- Ne stockez ou ne transportez jamais la bouteille de PL dans des endroits où la température peut atteindre 125° F (trop chaud pour tenir à la main - par exemple : ne laissez pas la bouteille de PL à l'intérieur d'une voiture par une journée chaude).

Remarque : Une recharge dure environ 18 à 20 heures de cuisson dans des conditions d'utilisation normales. Le niveau de combustible indique le niveau de propane de façon à ce que vous puissiez vous réapprovisionner avant d'être à court de combustible. Vous n'avez pas besoin de vider la bouteille avant de la faire recharger.

- Manipulez les bouteilles de PL "vides" avec le même soin que lorsqu'elles sont pleines. Même lorsque la bouteille de PL ne contient plus de liquide il peut toujours y avoir du gaz sous pression à l'intérieur. Fermez toujours la valve de la bouteille avant de la déconnecter.

⚠ ATTENTION : Placez le cache anti-poussière sur la sortie de la valve de la bouteille de gaz chaque fois que celle-ci est inutilisée. N'installez que le type de cache anti-poussière fourni avec la valve de la bouteille de gaz. L'utilisation d'autres types de caches ou de bouchons pourrait entraîner une fuite de propane.

- N'utilisez pas de bouteille de PL détériorée. Les bouteilles de PL comportant un renforcement ou rouillée ou les bouteilles de PL dont la valve est détériorée peuvent être dangereuses et devraient immédiatement être remplacées par des bouteilles neuves.

BOUTEILLE(S) DE GAZ PROPANE LIQUIDE (PL)

- Le raccord où le tuyau est relié à la bouteille de gaz PL doit faire l'objet d'un contrôle de détection des fuites à chaque fois que la bouteille de PL est rebranchée. Par exemple, détectez les fuites à chaque fois que le bouteille de PL est rechargée.
- Assurez-vous que le régulateur est monté avec le petit trou d'aération orienté vers le bas de sorte qu'il ne reçoive pas d'eau. Cette aération devrait être dégagée des impuretés, de la graisse, des insectes, etc.
- Les raccords de gaz fournis avec votre barbecue à gaz Weber® ont été conçus et testés pour être conformés à 100% des exigences du CSA et de l'ANSI.

⚠ **MISE EN GARDE** : Les bouteilles de PL de recharge doivent s'adapter au raccord du régulateur fourni avec ce barbecue.

EXIGENCES RELATIVES À LA BOUTEILLE DE PROPANE LIQUIDE

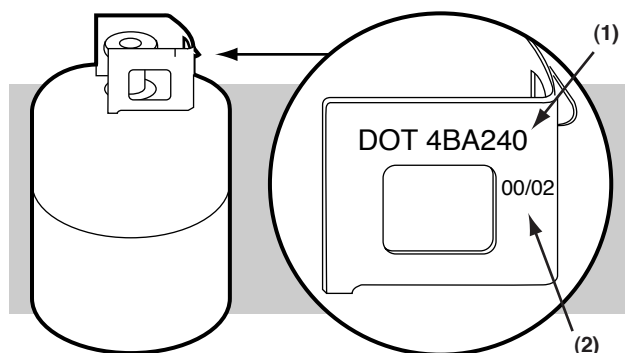
- Assurez-vous que les bouteilles de gaz sont certifiées D.O.T. (1), et que leur date vérifiée (2) est dans les cinq ans. Votre fournisseur de gaz PL peut faire cela pour vous.
- Tous les dispositifs de rechargement de bouteilles de PL doivent inclure une collerette pour protéger la valve de la bouteille de gaz.
- La bouteille de PL doit avoir une taille de 20 lb. environ (18¼ pouces de haut, 12¼ pouces de diamètre).
- La bonbonne doit être fabriquée et marquée conformément aux Spécifications s'appliquant aux bonbonnes de gaz - propane liquide du ministère américain des Transports (D.O.T.) ou à la norme nationale du Canada, CAN/CSA-B339, sur les bonbonnes, sphères et tuyaux ou sur le transport des marchandises dangereuses; et commission, si applicable.

AU CANADA

EXIGENCES RELATIVES AUX BOUTEILLES DE GAZ PROPANE LIQUIDE

Remarque : Votre détaillant peu vous aider à trouver une bouteille de gaz de recharge adaptée à votre barbecue.

- La bouteille de PL doit être fabriquée et marquée conformément aux spécifications relatives aux bouteilles de gaz PL, T.C.



INSTRUCTIONS POUR L'ALLUMAGE DU BRULEUR LATÉRAL

⚠ DANGER

Le fait de ne pas ouvrir le couvercle lorsque vous allumez le brûleur latéral, ou de ne pas patienter 5 minutes pour laisser le gaz se dissiper si le brûleur latéral ne s'allumait pas, pourrait provoquer un embrasement explosif susceptible d'entraîner une blessure grave ou un décès.

- 1) Ouvrez le couvercle du brûleur latéral.
- 2) Vérifiez que la valve du brûleur latéral est positionnée sur OFF. (Enfoncez le bouton et tournez dans le sens des aiguilles d'une montre pour vous assurer qu'il est positionné sur OFF.)

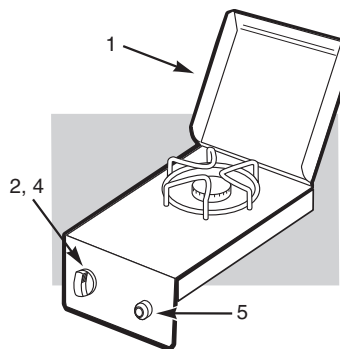
⚠ MISE EN GARDE :

Le bouton de commande du brûleur doit être positionné sur OFF avant que vous ouvriez la valve de la bouteille de propane liquide. S'il n'est pas positionné sur OFF, lorsque vous ouvrez la valve de la bouteille de PL, le dispositif de "contrôle du débit de gaz en excès" se déclenche, limitant ainsi le débit de gaz en provenance de la bouteille de PL. si cela se produisait, fermez la valve de la bouteille de PL et les boutons de commande du brûleur (OFF). Ensuite, recommencez.

- 3) Ouvrez la valve de la bouteille de PL (tournez dans le sens inverse des aiguilles d'une montre).
- 4) Enfoncez et tournez la valve de commande du brûleur latéral vers START/HI.
- 5) Enfoncez le bouton de l'allumeur et maintenez-le enfoncé jusqu'à ce que le brûleur s'allume. Vous entendrez les étincelles créées par l'allumeur.

⚠ **ATTENTION** : Il peut être difficile de voir la flamme du brûleur par une journée claire et ensoleillée.

- ⚠ **MISE EN GARDE** : Si le brûleur latéral ne s'allume pas :
- 1) Fermez la valve de commande du brûleur latéral (OFF).
 - 2) Patientez 5 minutes pour laisser le gaz se dissiper avant d'essayer à nouveau ou d'essayer d'allumer le brûleur avec une allumette.



POUR ÉTEINDRE

Enfoncez et tournez chacun des boutons de commande du brûleur dans le sens des aiguilles d'une montre vers la position OFF. Fermez l'arrivée de gaz à la source (OFF).

ALLUMAGE MANUEL DU BRULEUR LATERAL

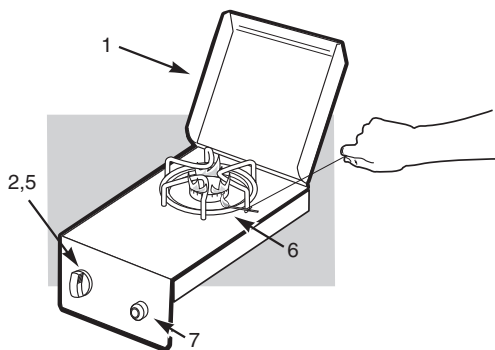
⚠ DANGER

Le fait de ne pas ouvrir le couvercle lorsque vous allumez le brûleur latéral, ou de ne pas patienter 5 minutes pour laisser le gaz se dissiper si le brûleur latéral ne s'allumait pas, pourrait entraîner un embrasement explosif susceptible de provoquer une blessure grave ou un décès.

- 1) Ouvrez le couvercle du brûleur latéral.
- 2) Vérifiez si la valve du brûleur latéral est positionnée sur OFF. (Enfoncez le bouton et tournez dans le sens des aiguilles d'une montre pour vous assurer qu'il est positionné sur OFF.).

⚠ MISE EN GARDE : Le bouton de commande du brûleur doit être positionné sur OFF avant que vous ouvriez la valve de la bouteille de propane liquide. S'il n'est pas positionné sur OFF, lorsque vous ouvrez la valve de la bouteille de PL, la fonction de "contrôle du débit de gaz en excès" s'active, limitant ainsi le débit de gaz en provenance de la bouteille de PL. Si cela se produisait, fermez la valve de la bouteille de PL et les boutons de commande du brûleur (OFF). ensuite, recommencez.

- 3) Ouvrez la valve de la bouteille de PL (tournez dans le sens inverse des aiguilles d'une montre).
- 4) Placez une allumette dans un porte-allumette puis frottez-la.
- 5) Enfoncez et tournez la valve de commande du brûleur latéral pour la positionner sur START/HI.
- 6) Tenez le porte-allumette et allumez l'allumette du côté droit du brûleur.



- 7) Enfoncez le bouton de l'allumeur et maintenez-le enfoncé jusqu'à ce que le brûleur s'allume. Vous entendrez des étincelles se former dans l'allumeur.

⚠ ATTENTION : Il peut être difficile de voir la flamme du brûleur latéral par une journée claire et ensoleillée.

⚠ MISE EN GARDE : Si le brûleur latéral ne s'allume pas :

- 1) Fermez (OFF) la valve de commande du brûleur latéral.
- 2) Patientez 5 minutes pour laisser le gaz se dissiper avant d'essayer à nouveau ou d'essayer d'allumer le brûleur avec une allumette.

ALLUMEUR

Si le dispositif d'allumage ne parvient pas à allumer le brûleur latéral, allumez-le avec une allumette.

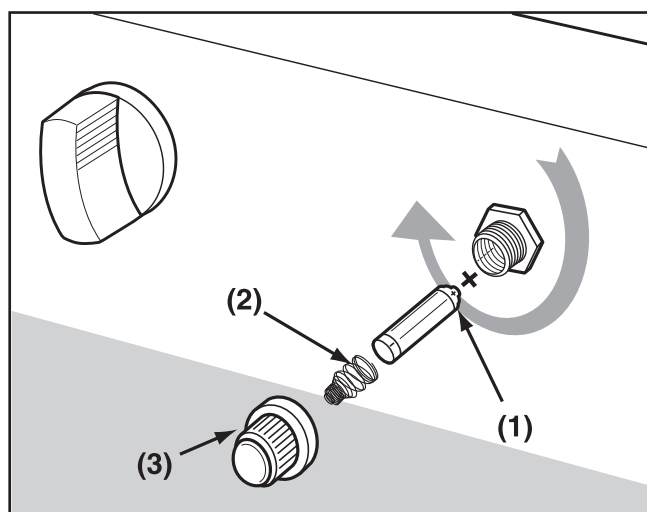
- Vérifiez que les deux câbles d'allumage(1,2) sont correctement fixés.
- Vous devriez entendre les étincelles produites par l'allumeur.

Si le dispositif d'allumage ne parvient toujours pas à allumer le brûleur, veuillez contacter le Représentant du service clientèle de votre région grâce aux coordonnées à votre disposition sur notre site Internet. Connectez-vous sur www.weber.com.

REMPLEZ LES PILES DE L'ALLUMEUR

Pièces nécessaires : 1 pile alcaline AA par allumeur.

Dévissez le bouton de l'allumeur de l'avant du panneau de commandes. Retirez le bouton de l'allumeur et le ressort de contact. Retirez la pile usagée et remplacez-la par une pile alcaline AA neuve. L'extrémité positive (1) de la pile est orientée vers le bas comme indiqué sur l'illustration. Remettez le ressort de contact (2) en place et vissez le bouton de l'allumeur (3) à sa place sur le logement de la pile.

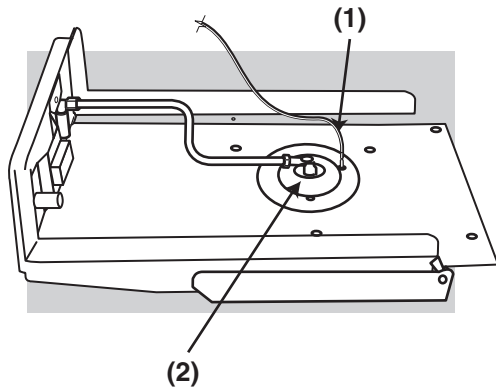


PROBLEME	VERIFICATION	SOLUTION
Le brûleur latéral ne s'allume pas.	L'arrivée de gaz est-elle fermée ? Le dispositif de sécurité limitant le débit de gaz en excès, qui fait partie du raccord entre le barbecue et la bouteille de gaz, s'est peut-être activé.	Ouvrez l'arrivée de gaz. Pour réinitialiser le dispositif de sécurité limitant le débit de gaz en excès, fermez la totalité des boutons de commande du brûleur ainsi que la valve de la bouteille de gaz. Déconnectez le régulateur de la bouteille de gaz. Tournez les boutons de commande du brûleur vers START/HI. Patientez au moins 1 minute. Positionnez les boutons de commande du brûleur sur "OFF". Reconnectez le régulateur à la bouteille de gaz. Ouvrez lentement la valve de la bouteille de gaz. Consultez les "Instructions pour l'allumage".
La flamme est petite en position "HI".	Le tuyau d'alimentation en combustible est-il plié ou coincé ?	Redressez le tuyau.
L'allumage par bouton poussoir ne fonctionne pas	Le brûleur s'allume-t-il avec une allumette ?	Si le brûleur s'allume avec une allumette, vérifiez l'allumeur (voir Maintenance du brûleur latéral).
Si vous ne parvenez pas à résoudre les problèmes en utilisant ces méthodes, veuillez entrer en contact avec le Représentant du Service clientèle le plus proche grâce aux coordonnées à votre disposition sur notre site Internet. Connectez-vous sur www.weber.com ®.		

MAINTENANCE DU BRULEUR LATERAL

⚠ MISE EN GARDE: La totalité des commandes de gaz et des valves d'alimentation devraient être positionnées sur "OFF".

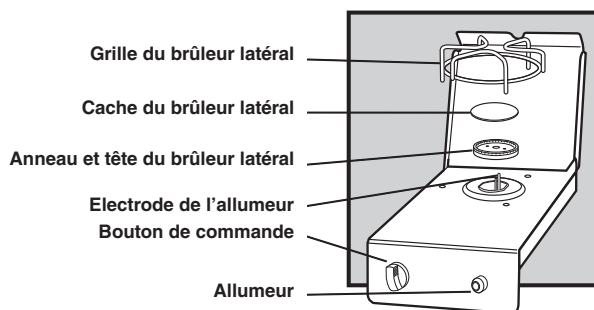
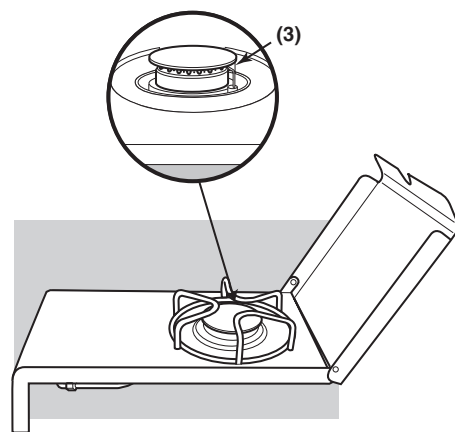
Assurez-vous que le câble noir est branché entre l'allumeur et l'électrode.
Assurez-vous que le câble blanc est branché entre l'allumeur et la pince de



raccordement à la terre.
L'étincelle devrait être blanche/bleue, pas jaune.

- 1) Câble de l'allumeur

- 2) Câble de raccordement à la terre
3) Brûleur



⚠ ATTENTION: This product has been safety tested and is only certified for use in a specific country. Refer to country designation located on outer carton.

These parts may be gas carrying or gas burning components. Please contact Weber-Stephen Products Co., Customer Service Department for genuine Weber-Stephen Products Co. replacement part(s) information.

⚠ WARNING: Do not attempt to make any repair to gas carrying, gas burning, igniter components or structural components without contacting Weber-Stephen Products Co., Customer Service Department. Your actions, if you fail to follow this Product Warning, may cause a fire, an explosion, or structural failure resulting in serious personal injury or death as well as damage to property.

⚠ ATENCIÓN: A este producto se le han realizado pruebas de seguridad y ha sido certificado para usarse en un país específico. Refiérase al país indicado en la parte externa del cartón de empaque.

Estas partes pueden ser componentes que transporten gas o lo quemen. Por favor póngase en contacto con el Departamento de Atención al Cliente de Weber-Stephen Products Co. para obtener información sobre las partes de repuesto Weber-Stephen Products Co. genuinas.

⚠ ADVERTENCIA: No trate de realizar reparación alguna a los componentes que transporten o quemen gas sin antes ponerse en contacto con el Departamento de Atención al Cliente de Weber-Stephen Products Co. Si no llegase a acatar esta advertencia, sus acciones podrían causar un fuego o una explosión que resulte en lesiones personales serias o la muerte o daños a la propiedad.

⚠ ATTENTION : Ce produit a fait l'objet de tests de sécurité et est certifié pour une utilisation dans un pays particulier uniquement. Vérifiez la désignation de pays située sur le carton d'emballage.

Ces pièces peuvent contenir du gaz ou être des éléments dont la combustion produit du gaz. Veuillez consulter le Service clientèle de Weber-Stephen Products Co. pour des renseignements sur les pièces de rechange originales de Weber-Stephen Products Co..

⚠ MISE EN GARDE : Ne tentez pas d'effectuer des réparations sur des éléments contenant du gaz ou sur des éléments dont la combustion produit du gaz sans contacter le service clientèle de Weber-Stephen Products Co.. Si vous ne suivez pas la présente Mise en garde relative au produit, vos actions risquent de provoquer un incendie ou une explosion entraînant des blessures physiques graves voire un décès ainsi que des dégâts matériels.



WEBER-STEPHEN PRODUCTS CO.

www.weber.com[®]

©2008 The following trademarks are registered in the name of Weber-Stephen Products Co., an Illinois corporation, located at 200 East Daniels Road, Palatine, Illinois 60067 U.S.A. Australia; Smokey Joe, Weber, Kettle Silhouette[®], Genesis, Austria; Kettle Silhouette[®], Smokey Joe, Weber, Benelux; Kettle Silhouette[®], Smokey Joe, Weber, Compact Grill Configuration, Botswana; Weber, Canada; Smokey Joe, Genesis, China; Kettle Silhouette[®], Denmark; Kettle Silhouette[®], Smokey Joe, Weber, Finland; Smokey Joe, France; Kettle Silhouette[®], Smokey Joe, Weber, One-Touch, Germany; Smokey Joe, Weber, One-Touch, Greece; Smokey Joe, Ireland; Kettle Silhouette[®], Smokey Joe, Italy; Smokey Joe, Weber, Japan; Smokey Joe, Weber, Korea; Smokey Joe, Weber, New Zealand; Weber, Smokey Joe, Nigeria; Weber, Norway; Smokey Joe, Weber, Portugal; Weber, South Africa: Smokey Joe, Weber, Kettle Configuration, Spain; Smokey Joe, Weber, Sweden; Kettle Silhouette[®], Smokey Joe, Switzerland; Kettle Silhouette[®], Smokey Joe, Weber, United Kingdom; Smokey Joe, Weber, Weber One-Touch, U.S.A.; Kettle Configuration, Kettle Silhouette[®], Smokey Joe, Weber, One-Touch, Firespice, Go-Anywhere, U.S.A.; Kettle Configuration, Kettle Silhouette, Genesis, Flavorizer, Crossover, Flamgo, Performer, Rapidfire, Tuck 'N Carry, Jumbo Joe, Bar-B-Kettle, Master-Touch, Spirit, Grill Out, Summit, Platinum, 1-800-Grill-Out, Ranch, Matchless Flame, Zimbabwe; Weber, Kettle Configuration, Kettle Silhouette[®].

Download from Www.Somanuals.com. All Manuals Search And Download.

Free Manuals Download Website

<http://myh66.com>

<http://usermanuals.us>

<http://www.somanuals.com>

<http://www.4manuals.cc>

<http://www.manual-lib.com>

<http://www.404manual.com>

<http://www.luxmanual.com>

<http://aubethermostatmanual.com>

Golf course search by state

<http://golfingnear.com>

Email search by domain

<http://emailbydomain.com>

Auto manuals search

<http://auto.somanuals.com>

TV manuals search

<http://tv.somanuals.com>