



# MASTER-TOUCH® KETTLE

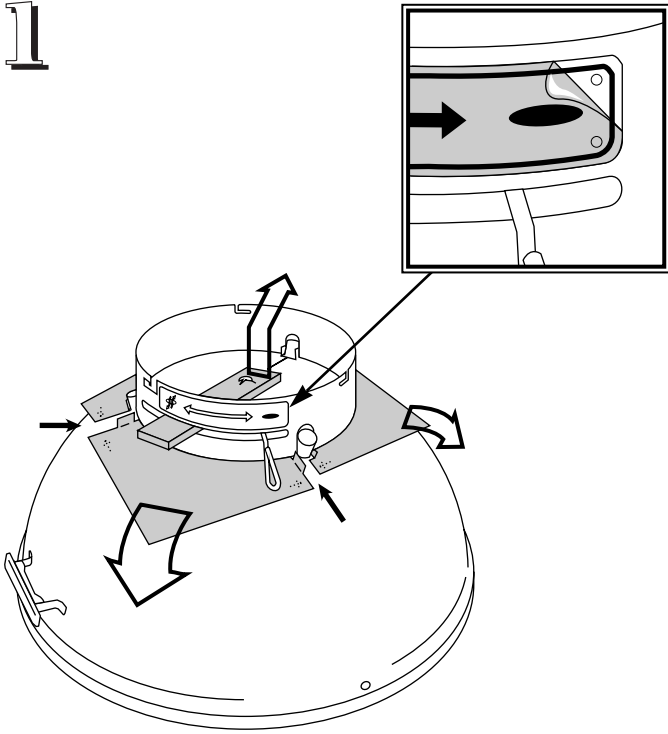


Read important DANGERS, WARNINGS and CAUTIONS in Owner's Guide before operating this barbecue.

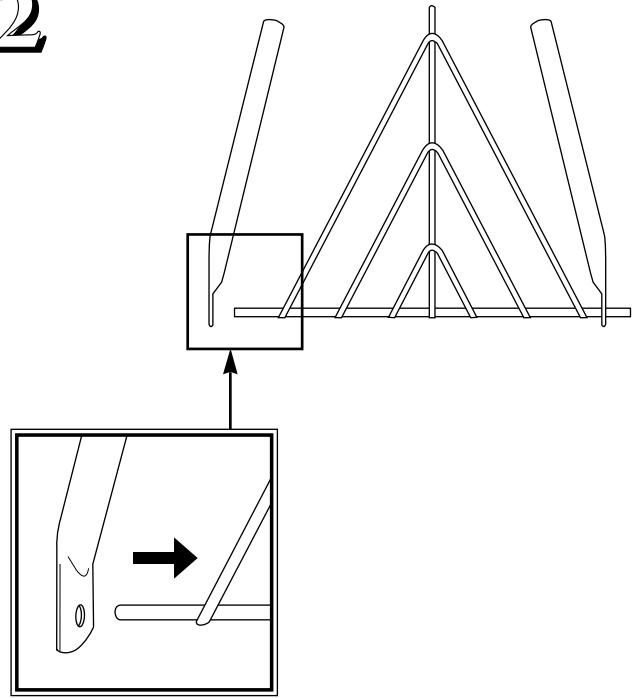
**86050** 6/96



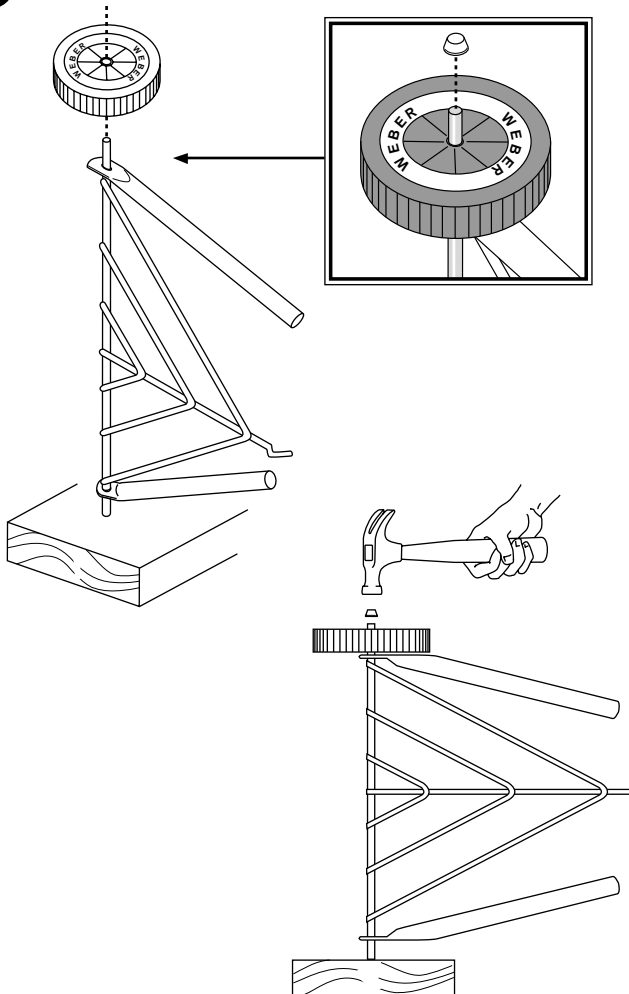
1



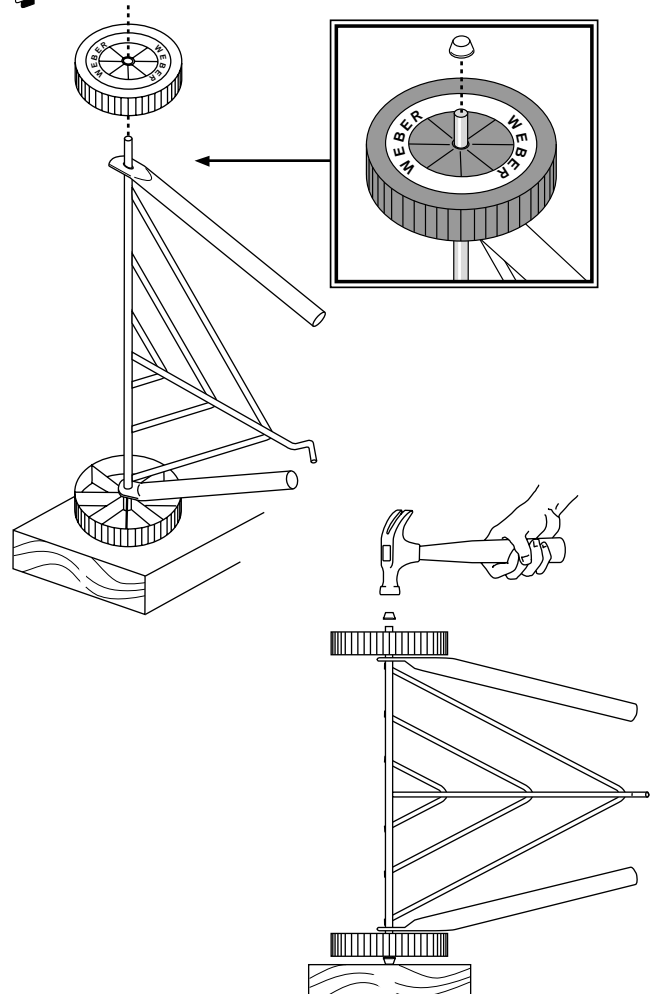
2

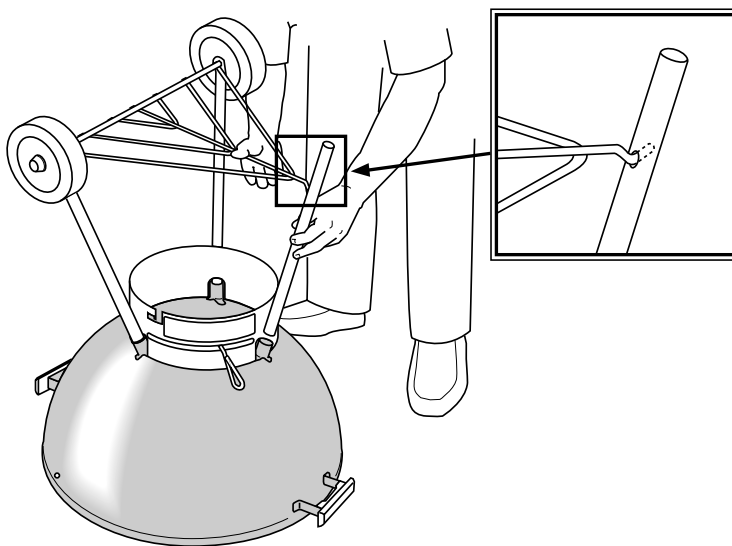
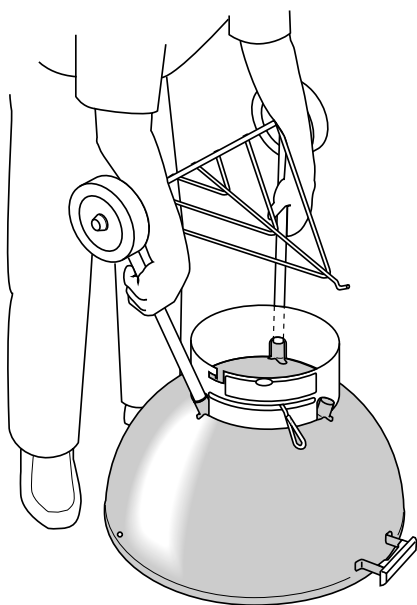
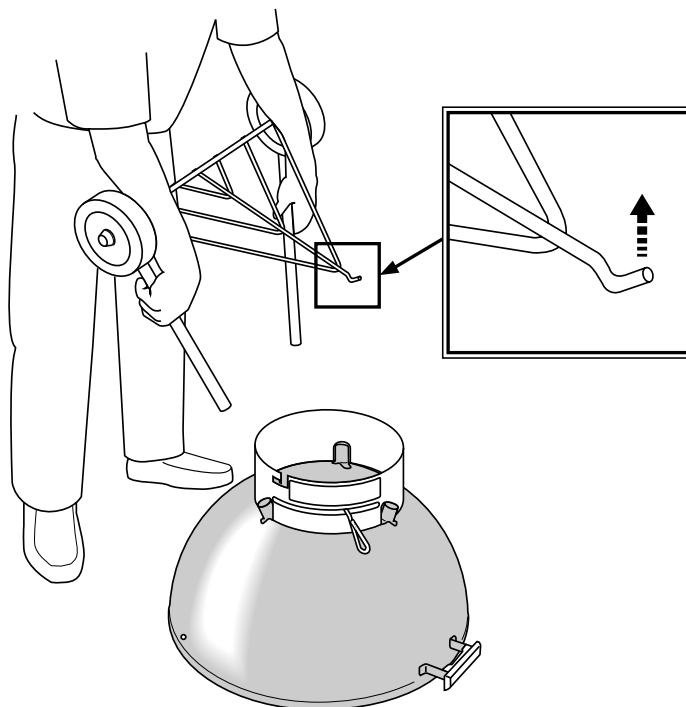
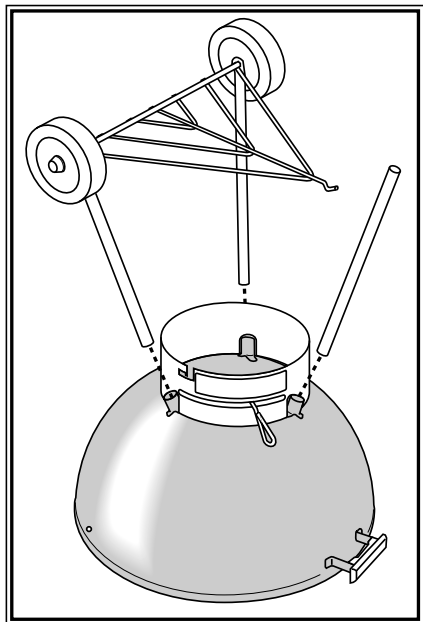


3

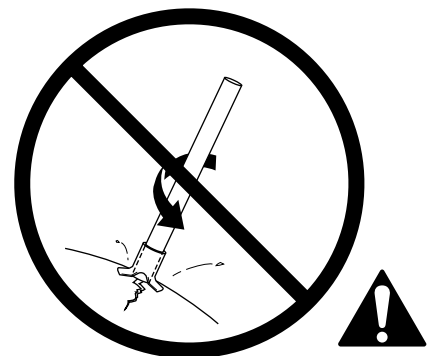
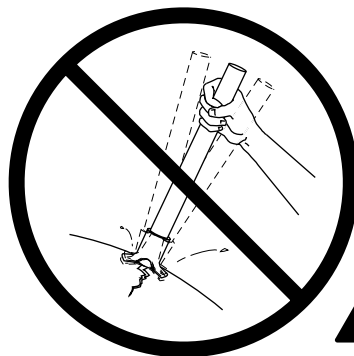
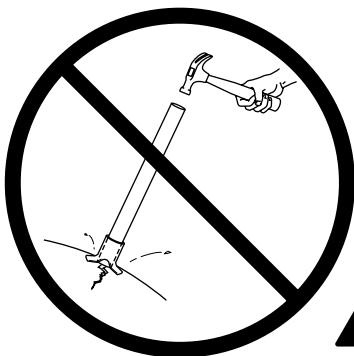
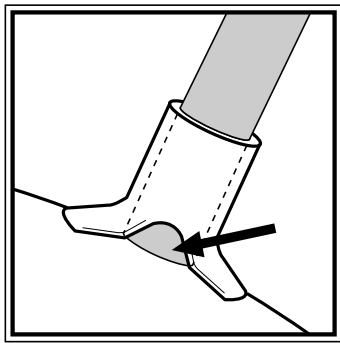
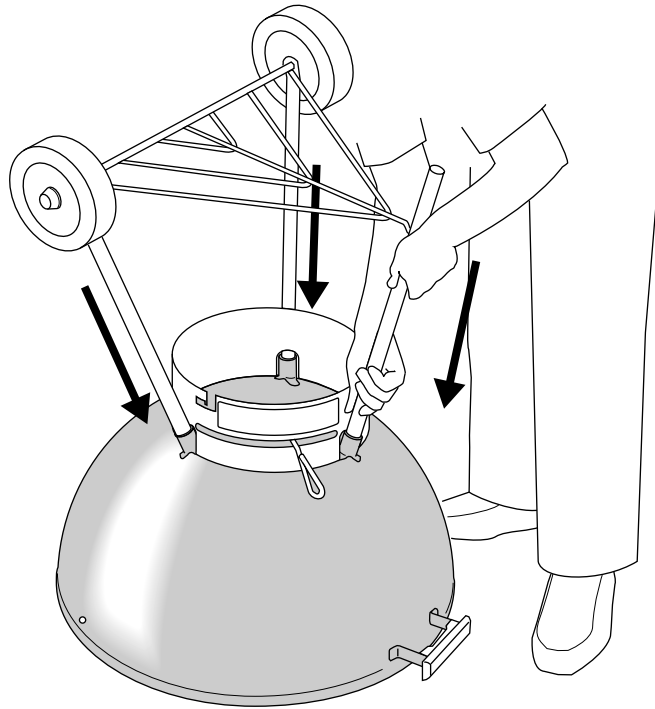


4

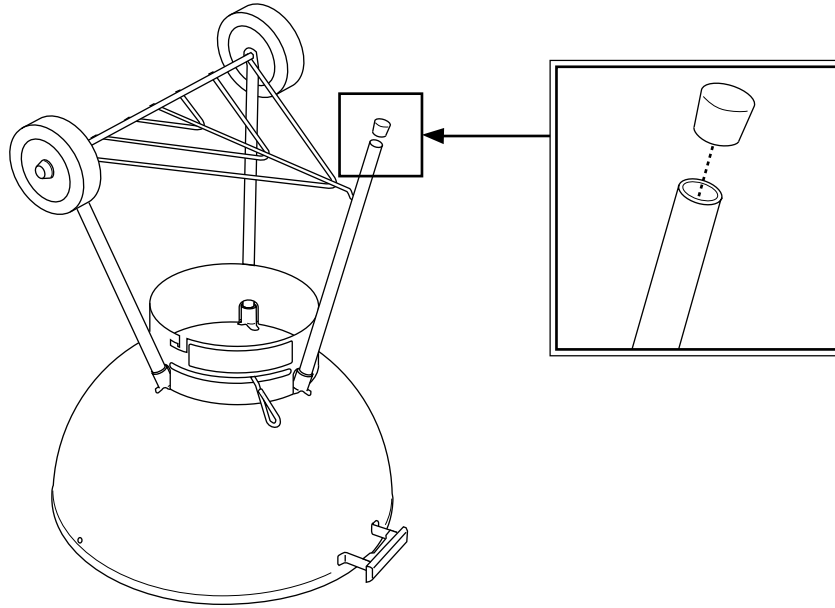




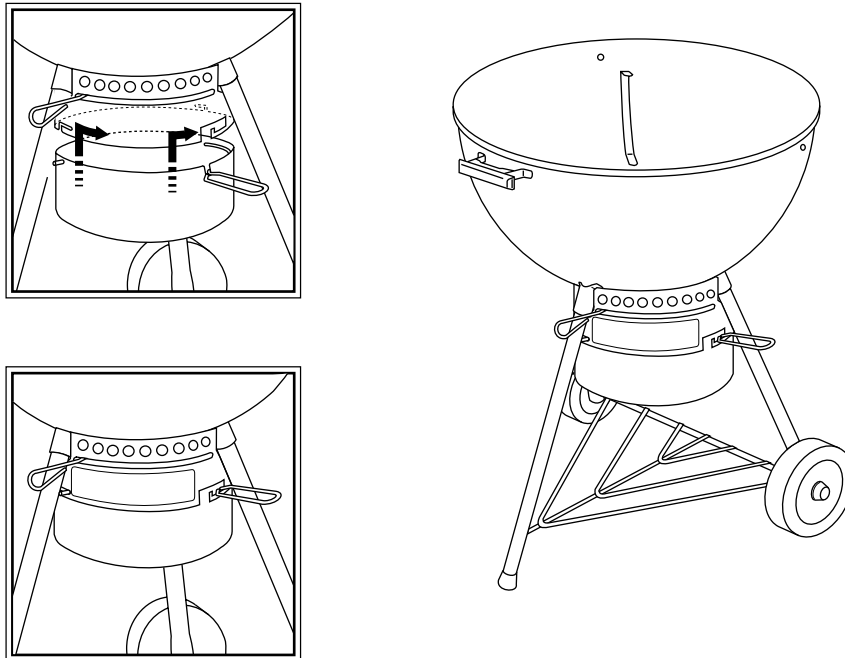
6



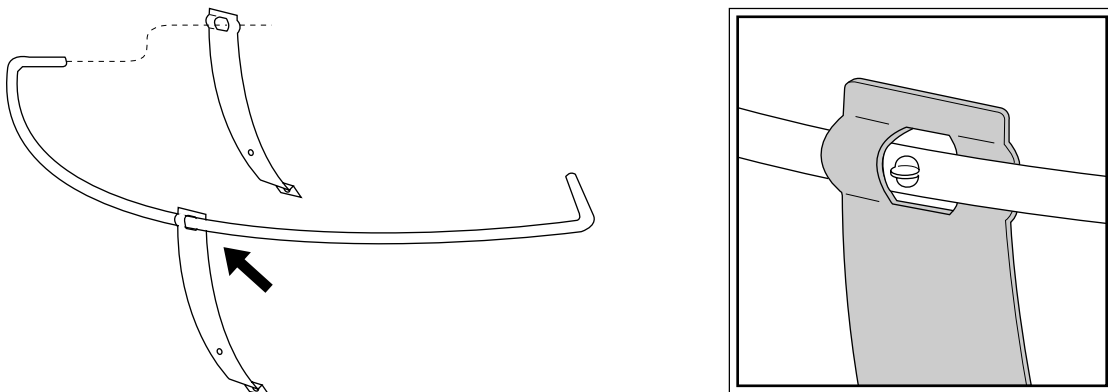
7



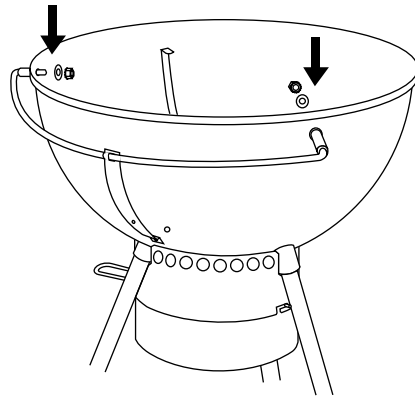
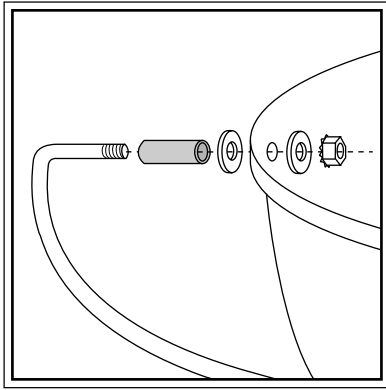
8



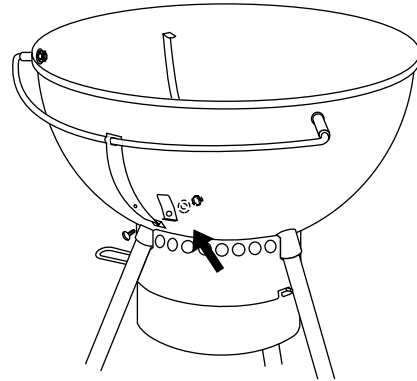
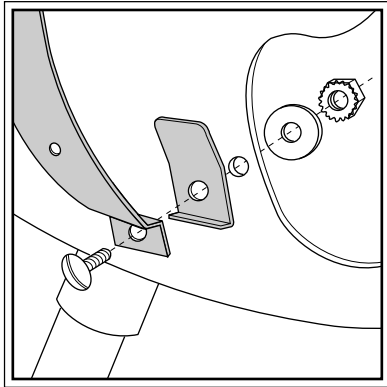
9



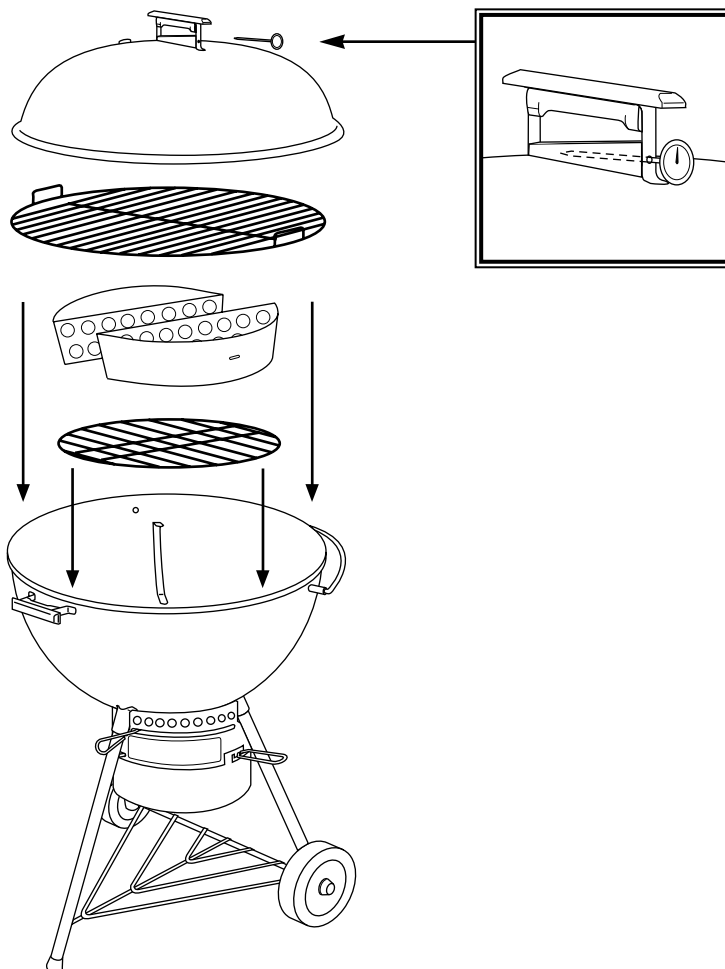
10

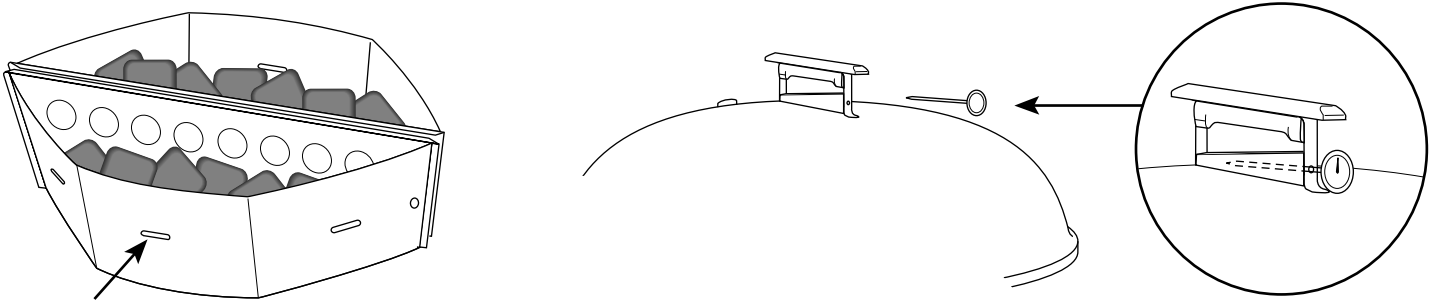


11



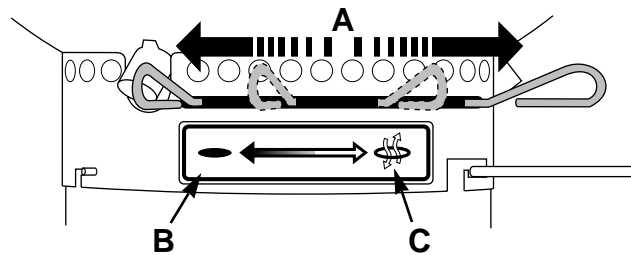
12





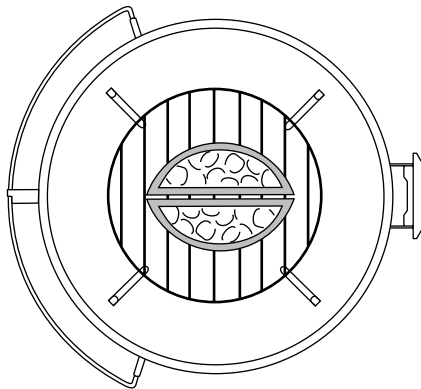
Charcoal baskets allow for convenient Indirect and concentrated Direct cooking. Slots on baskets mark the recommended fill line. Dual-Purpose Thermometer monitors temperature inside the grill, and can be used as a probe to check the doneness of food.

**WARNING: Do not leave thermometer in food while cooking.**

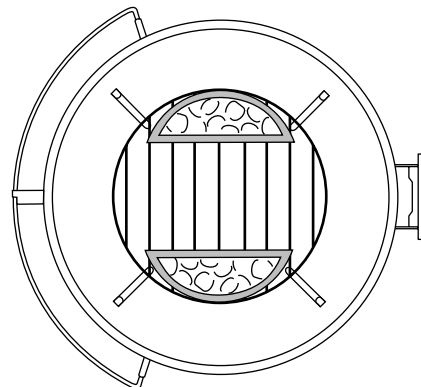


A - Clear ashes B - Vents closed C - Vents open

**WARNING: When using liquid starters always check ash catcher before lighting. Fluid can collect in the ash catcher and could ignite, resulting in a fire below the bowl. Remove any fluid from the ash catcher before lighting charcoal.**



DIRECT COOKING



INDIRECT COOKING

▲ Direct Cooking: Place Char-Baskets with flat sides together in center of charcoal grate.

● Indirect Cooking: Place Char-Baskets on sides of kettle with "flaps" of hinged cooking grate above baskets.



## Free Manuals Download Website

<http://myh66.com>

<http://usermanuals.us>

<http://www.somanuals.com>

<http://www.4manuals.cc>

<http://www.manual-lib.com>

<http://www.404manual.com>

<http://www.luxmanual.com>

<http://aubethermostatmanual.com>

Golf course search by state

<http://golfingnear.com>

Email search by domain

<http://emailbydomain.com>

Auto manuals search

<http://auto.somanuals.com>

TV manuals search

<http://tv.somanuals.com>