

weber  100 120 200 220

LP Gas Grill Owner's Guide

Guía del propietario del asador de gas licuado de propano - Pg 9
Guide de l'utilisateur du grill à gaz PL - Pg 16

Assembly, Ensamblaje, Assemblage - Pg 4

PLACE STICKER HERE

#41061

Register your grill online at www.weber.com

⚠ DANGER

If you smell gas:

1. Shut off gas to the appliance.
2. Extinguish any open flame.
3. Open lid.
4. If odor continues, keep away from the appliance and immediately call your fire department.

Failure to follow these instructions could result in fire or explosion, which could cause property damage, personal injury or death.

THIS GAS APPLIANCE IS INTENDED FOR OUTDOOR USE ONLY.

⚠ DANGER

1. Never operate this appliance unattended.
2. Never operate this appliance within 10 ft (3 m) of any structure, combustible material or other gas cylinder.
3. Never operate this appliance within 25 ft (7.5 m) of any flammable liquid.
4. If a fire should occur, keep away from the appliance and immediately call your fire department. Do not attempt to extinguish an oil or grease fire with water.

Failure to follow these instructions could result in fire, explosion or burn hazard, which could cause property damage, personal injury or death.

- ⚠ This instruction manual contains important information necessary for the proper assembly and safe use of the appliance.
- ⚠ Read and follow all warnings and instructions before assembling and using the appliance.
- ⚠ Follow all warnings and instructions when using the appliance.
- ⚠ Keep this manual for future reference.



41061 US 02/07/08
LP
US English

⚠ WARNINGS

- ⚠ Follow all leak-check procedures carefully in this manual prior to barbecue operation. Do this even if the barbecue was dealer-assembled.
- ⚠ Do not store a spare or disconnected propane cylinder under or near this barbecue.
- ⚠ Improper assembly may be dangerous. Please carefully follow the assembly instructions in this manual.
- ⚠ After a period of storage, and/or nonuse, the Weber® gas barbecue should be checked for gas leaks and burner obstructions before use. See instructions in this manual for correct procedures.
- ⚠ Do not operate the Weber® gas barbecue if there is a gas leak present.
- ⚠ Do not use a flame to check for gas leaks.
- ⚠ Combustible materials should never be within 24 inches (63.5cm) of the back or sides of your Weber® gas barbecue.
- ⚠ Your Weber® gas barbecue should never be used by children. Accessible parts of the barbecue may be very hot. Keep young children away while it is in use.
- ⚠ You should exercise reasonable care when operating your Weber® gas barbecue. It will be hot during cooking or cleaning and should never be left unattended, or moved while in operation.
- ⚠ Should the burner go out while in operation, turn the gas valve off. Open the lid and wait five minutes before attempting to relight, using the lighting instructions.
- ⚠ Do not use charcoal or lava rock in your Weber® gas barbecue.
- ⚠ Never lean over an open grill or place hands or fingers on the front edge of the cooking box.
- ⚠ Should a grease fire occur, turn off the burner and leave lid closed until fire is out.
- ⚠ Do not enlarge valve orifice or burner ports when cleaning the valve or burner.
- ⚠ The Weber® gas barbecue should be thoroughly cleaned on a regular basis.
- ⚠ Use the regulator that is supplied with your Weber® gas barbecue.
- ⚠ Propane gas is not natural gas. The conversion or attempted use of natural gas in a propane unit or propane gas in a natural gas unit is dangerous and will void your warranty.
- ⚠ Do not attempt to disconnect any gas fitting while your barbecue is in operation.
- ⚠ Use heat-resistant barbecue mitts or gloves when operating the barbecue.
- ⚠ Keep any electrical supply cord away from any heated surfaces.
- ⚠ Combustion byproducts produced when using this product contain chemicals known to the state of California to cause cancer, birth defects, or other reproductive harm.
- ⚠ Do not use this barbecue unless all parts are in place. The unit must be properly assembled according to the instructions outlined in the "Assembly Instruction" section of the Owner's Guide.
- ⚠ Do not use the Weber® Q™ grill in a vehicle trunk, station wagon, mini-van, sport utility vehicle(SUV), or recreational vehicle(RV).
- ⚠ Do not attempt to disconnect the gas regulator or any gas fitting while your barbecue is in operation.
- ⚠ Do not build this model of grill in any built-in or slide in construction. Ignoring this Warning could cause a fire or an explosion that can damage property and cause serious bodily injury or death.
- ⚠ Proposition 65 Warning: Handling the brass material on this product exposes you to lead, a chemical known to the state of California to cause cancer, birth defects or other reproductive harm.
(Wash hands after handling this product.)
- ⚠ If you see, smell or hear the hiss of escaping gas from the propane cylinder:
 1. Move away from propane cylinder.
 2. Do not attempt to correct the problem yourself.
 3. Call your fire department.

If you have questions or need advice regarding your grill or it's safe operation, please call our toll-free hotline **1-800-446-1071** and a Weber® Q™ Expert will help you out.

Your Weber® gas grill is a portable outdoor cooking appliance. With the Weber® gas grill you can grill, roast and bake with results that are difficult to duplicate with indoor kitchen appliances. The closed lid produces that "outdoor" flavor in the food.

The Weber® gas grill is portable so you can easily change its location in your yard or on your patio. Portability means you can take your Weber® gas grill with, if you move. Propane gas supply is easy to use and gives you more cooking control than charcoal fuel.

- These instructions will give you the minimum requirements for assembling your Weber® gas grill. Please read the instructions carefully before using your Weber® gas grill. Improper assembly can be dangerous.

- Not for use by children.
- If there are local codes that apply to portable gas grills, you will have to conform to them. If there are no local codes, you must conform to the latest edition of the National Fuel Gas Code: ANSI Z 223.1/NFPA54.
- The pressure regulator supplied with the Weber® gas grill must be used. This regulator is set for 11 inches of water column (pressure).
- This Weber® gas grill is designed for use with propane gas only. Do not use with natural (piped in city) gas. The valve and regulator is for Propane gas only.
- Do not use with charcoal fuel.
- This Weber® gas grill is not intended for commercial use.
- The use of alcohol, prescription or non-prescription drugs may impair the consumers ability to properly assemble or safely operate the appliance.

- This Weber® gas grill is not intended for and should never be used as a heater.
- Do not leave the Weber® gas grill unattended. Keep children and pets away from the Weber® gas grill at all times.
- Check that the area under the control panel and the bottom tray are free from debris that might obstruct the flow of combustion or ventilation air.

For Installation in Canada: These instructions, while generally acceptable, do not necessarily comply with the Canadian Installation codes, particularly with piping above and below ground. In Canada the installation of this appliance must comply with local codes and/or Standard CAN/CGA-B149.1 Natural Gas and Propane Installation Code.

STORAGE AND/OR NONUSE

- When the Weber® gas grill is not in use, the propane cylinder must be DISCONNECTED and the propane cylinder stored outdoors in a well-ventilated space. Place dust caps on cylinder valve outlets when cylinder is not in use.
- The Weber® gas grill should be checked for gas leaks and any obstructions in the burner tubes before using. (See Sections: "General Maintenance and Annual Maintenance.")
- The Spider/Insect Screen should also be checked for any obstructions. (See Section: "Annual Maintenance.")

OPERATING

- ⚠ **WARNING: Only use this grill outdoors in a well-ventilated area. Do not use in a garage, building, breezeway or any other enclosed area.**
- ⚠ **WARNING: Your Weber gas grill shall not be used under any overhead combustible construction.**
- ⚠ **WARNING: Your Weber® gas grill is not intended to be installed in or on recreational vehicles and/or boats.**
- ⚠ **WARNING: Do not use the grill within 24 inches of combustible materials.**
- ⚠ **WARNING: The entire cooking box gets hot when in use. Do not leave unattended.**
- ⚠ **WARNING: Keep any electrical supply cord away from any heated surface.**
- ⚠ **WARNING: Keep the cooking area clear of flammable vapors and liquids such as gasoline, alcohol, etc., and combustible materials.**
- ⚠ **WARNING: Never store an extra (spare) Propane cylinder under or near the Weber® gas grill.**

⚠ **WARNING: When cooking, the appliance must be on a level, stable surface in an area clear of combustible material. An asphalt surface (blacktop) may not be acceptable for this purpose.**

COOKING

Getting started: Refer to your Q™ Cards grilling guide.

To light the grill: Refer to the lighting instructions in this owners manual and printed on the fold out tables (Q120, 200, 220) of your grill.

To preheat the grill: Light the Weber® Q™ according the lighting instructions in this owners manual. Close the lid and turn the Burner Control Knob to Start/Hi. Preheat the grill for 5-10 minutes (depending on conditions such as air temperature and wind). Once the grill is preheated, set the Burner Control knob to the setting specified in the recipe or suggested in the Q™ Cards grilling guide.

Note: Wind and weather may require adjustment of the burner control knob to obtain the correct cooking temperature.

If the burner goes out during cooking, open the lid, turn off the burner, and wait five minutes before relighting.

Drippings and grease: Excess drippings and grease will collect in the catch pan in the slide-out bottom tray (located on the underside of the grill). Disposable Weber® drip pans are available that fit the catch pan.

- ⚠ **WARNING: Check the catch pan and the bottom of the grill for grease build-up before each use. Remove excess grease to avoid a fire in the bottom of the grill.**
- ⚠ **WARNING: Do not move the Weber® Q™ when operating or while the grill is hot.**

CLEANING

⚠ **WARNING: Turn your Weber® gas grill OFF and wait for it to cool before cleaning.**

For availability of replacement cooking grate contact the Customer Service Representative in your region using the contact information on our web site. Log onto www.weber.com.

Outside surfaces - Use a warm soapy water solution to clean, then rinse with water.

⚠ **CAUTION: Do not use oven cleaner, abrasive cleansers (kitchen cleansers) cleaners that contain citrus products, or abrasive cleaning pads on grill or cart surfaces.**

Slide out Bottom tray - Remove excess grease, then wash with warm soapy water, then rinse

Cooking grate - Clean with a suitable brass bristle brush. As needed, remove from grill and wash with warm soapy water, then rinse with water.

Catch pan - Disposable foil trays are available, or you can line the catch pan with aluminum foil. To clean the catch pan, wash with warm soapy water, then rinse.

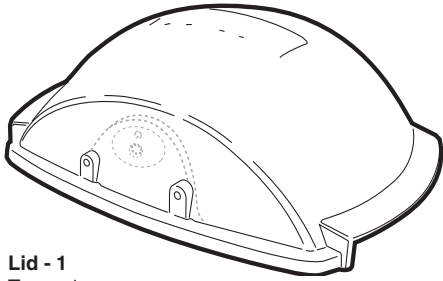
Inside Cooking Box - Brush any debris off of burner tubes. **DO NOT ENLARGE BURNER PORTS (OPENINGS).** Wash inside of cooking box with warm soapy water and a water rinse.

Inside Lid - While lid is warm, wipe inside with paper towel to prevent grease build-up. Flaking built-up grease resembles paint flakes.

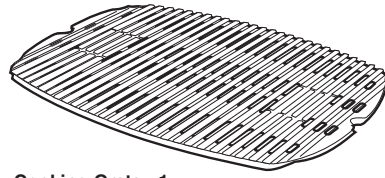
Fold out work tables (Q120, 200, 220) - Wash with a soft cloth and a soap and water solution.

Do not use cleaners that contain acid, mineral spirits or xylene. Rinse well after cleaning.

Fold out work tables are not to be used as cutting boards.



Lid - 1
Tapa - 1
Couvercle - 1



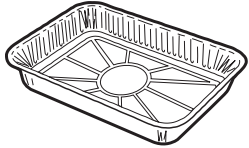
Cooking Grate - 1
Parrilla de cocción - 1
Grille de cuisson - 1



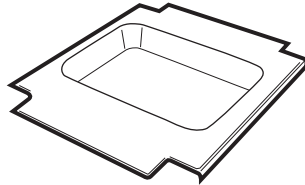
Control Knob - 1
Perilla de control - 1
Manette de réglage - 1



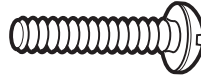
Cotter Pin - 2
Asa - 2
Goupille fendue - 2



Disposable Drip Pan - 2
Recipientes para escurrimientos
desechables - 2
Contenant jetable - 2



Catch Pan - 1
Recipiente recibidor - 1
Lèchefrite - 1



**Stainless Steel Pan Head Phillips Screw
(1/4 - 20 x 1 1/2" Screw) - 2**
Tornillo Phillips de cabeza armada de acero inoxidable
1/4 - 20 x 1 1/2 pulgadas - 2
Vis Phillips à tête cylindrique large en acier inoxydable de 0,6
à 50 x 2,5 cm (1/4 - 20 x 1 po) - 2



Handle Spacer - 2
Espaciador del asa - 2
Entretoise de poignée - 2



Hinge Pin - 2
Tubo del quemador - 2
Axe de charnière - 2



Handle - 1
Pasador - 1
Poignée - 1

220



Thermometer - 1
Termómetro - 1
Thermomètre - 1



Wing Nut - 1
Tuerca de palomilla - 1
Écrou à oreilles - 1

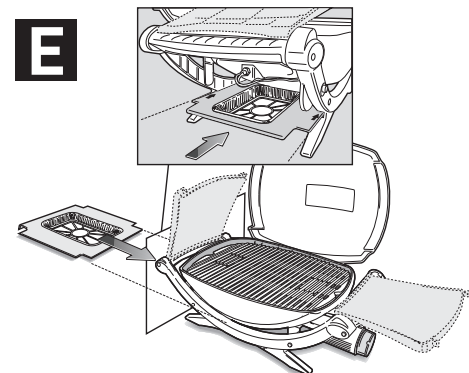
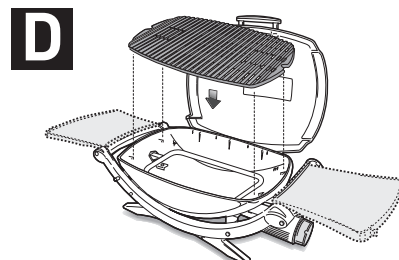
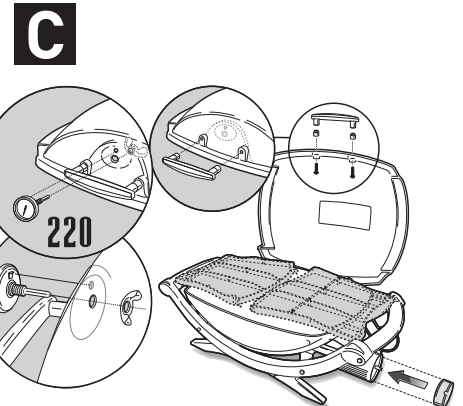
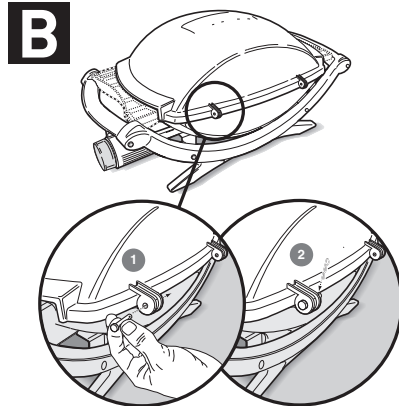
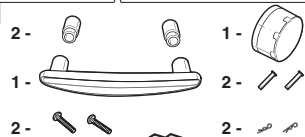
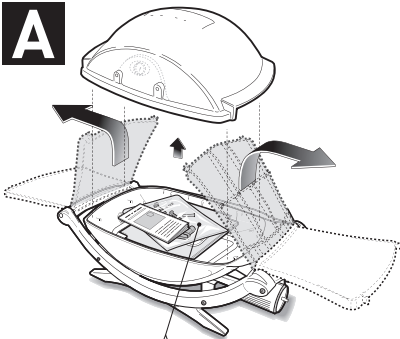


Electronic Ignition Button - 1
Botón de encendido electrónico - 1
Bouton d'allumage électronique - 1

120



ASSEMBLY • INSTRUCTIONS DE MONTAGE • INSTRUCCIONES DE MONTAJE



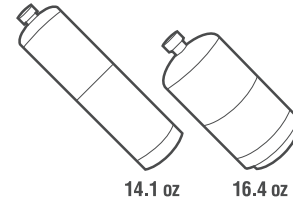
ATTACH PROPANE CYLINDER

Use propane cylinders with a capacity of 14.1 oz or 16.4 oz. You can find these tanks in the camping, hardware, plumbing section of the store you are shopping at.

⚠ CAUTION: Use cylinders that are marked "Propane fuel" only.

Note: Your Weber® gas grill is equipped with a cylinder supply system designed for vapor withdrawal.

While holding carrying handle closest to propane cylinder with one hand, push propane cylinder into regulator and turn clockwise until tight.

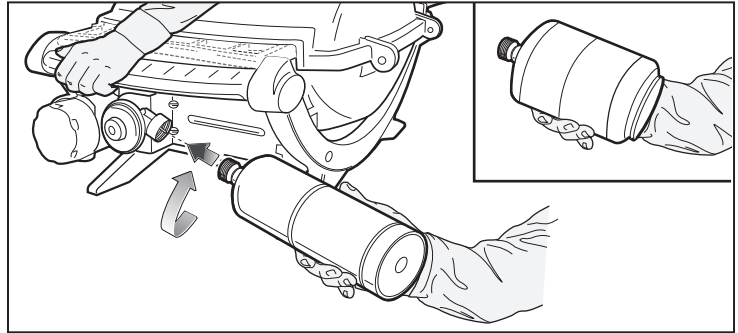


⚠ DANGER

Do not use an open flame to check for gas leaks. Be sure there are no sparks or open flames in the area while you check for leaks. Sparks or flames will result in a fire or explosion which can cause serious bodily injury or death, and damage to property.

⚠ DANGER

Do not store a spare LP-gas cylinder under or near this appliance. Never fill the cylinder beyond 80 percent full. If the instructions are not followed exactly, a fire causing death or serious injury may occur.



⚠ WARNING: Do not use a wrench to tighten the connection. Using a wrench could damage the regulator coupling and could cause a leak.

CHECK FOR GAS LEAKS

After a period of nonuse, we recommend that you perform the following maintenance procedures for your safety.

- Inspect the burner for correct flame pattern. Clean if necessary, following the procedures outlined in the "General Maintenance" section of this manual.
- Check all gas fittings for leaks.

⚠ WARNING: You should check for gas leaks every time you disconnect and reconnect a gas fitting.

Note: All factory-made connections have been thoroughly checked for gas leaks. The burners have been flame tested. As a safety precaution however, you should recheck all fittings for leaks before using your Weber® gas grill. Shipping and handling may have loosened or damaged a gas fitting.

⚠ WARNING: Perform these leak checks even if your grill was dealer- or store-assembled.

You will need a soap and water solution and a rag or brush to apply it. To perform leak checks make sure the Burner is in the off position and turn on gas supply.

⚠ WARNING: Do not ignite burner while leak checking.

Check for leaks by wetting the connections with the soap and water solution and watching for bubbles. If bubbles form, or if a bubble grows, there is a leak. Note: Since some leak test solutions, including soap and water, may be slightly corrosive, all connections should be rinsed with water after checking for leaks.

Check:

- 1) Regulator-to-propane cylinder connection.

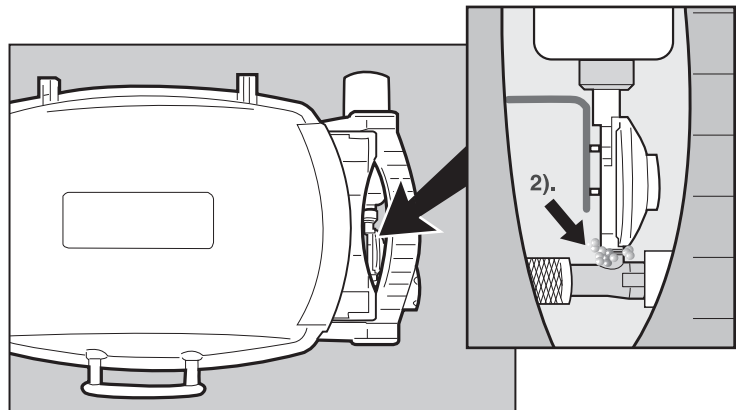
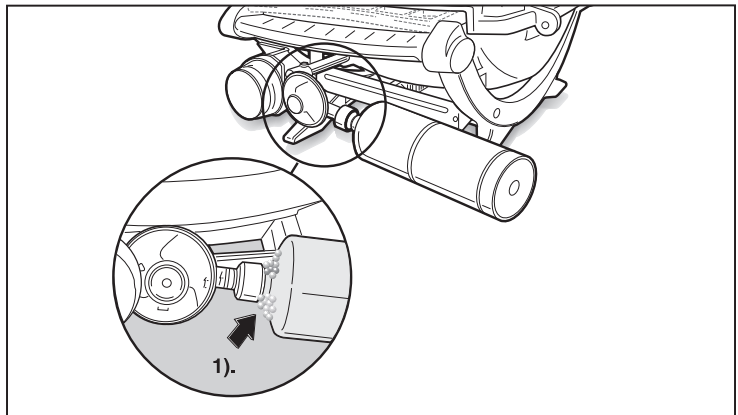
⚠ WARNING: If there is a leak at connection (1), remove propane cylinder. Do not operate grill. Use a different propane cylinder and recheck for leaks with soap and water solution. If a leak persists after retightening the propane cylinder, turn OFF the gas. DO NOT OPERATE THE GRILL. Contact the Customer Service Representative in your area using the contact information on our web site. Log onto www.weber.com®.

Check:

- 2) Valve-to-regulator connections.

⚠ WARNING: If there is a leak at connection (2) turn OFF the gas. DO NOT OPERATE THE GRILL. Contact the Customer Service Representative in your area using the contact information on our web site. Log onto www.weber.com®.

When leak checks are complete, turn gas supply OFF at the source and rinse connections with water.



LIGHTING

Summary lighting instructions are on the fold out work surface.

- 1) Open the lid.
- 2) Unfold the work surfaces (Q120, 200, 220).
- 3) Make sure the control knob is turned OFF. (Push control knob in and turn clockwise to ensure that it is in the OFF position.)

⚠ WARNING: Do not lean over the open grill. Keep your face and body at least one foot away from the matchlight hole when lighting the grill.

- 4) Push burner control knob down and turn to START/HI.
- 5a) Push the red ignition button several times, so it clicks each time (Q100, 200).
- 5b) Push the electronic ignition button several times. You will hear it spark (Q120, 220).
- 6) Check that the burner is lit by looking down through the cooking grate. You should see a flame.

⚠ WARNING: If the burner does not light, turn the burner control knob to OFF and wait 5 minutes to let the gas clear before you try again or try to light with a match.

TO EXTINGUISH

Push in and turn burner control knob clockwise to the OFF position.

⚠ CAUTION do not fold in tables until grill is cold (Q120, 200, 220).

⚠ DANGER

Failure to open the lid while igniting the grill's burner, or not waiting 5 minutes to allow the gas to clear if the grill does not light, may result in an explosive flame-up which can cause serious bodily injury or death.

MANUAL LIGHTING

- 1) Open the lid.
- 2) Unfold the work surfaces (Q120, 200, 220).
- 3) Make sure the burner control knob is turned OFF.

⚠ WARNING: Do not lean over the open grill. Keep your face and body at least one foot away from the matchlight hole when lighting the grill.

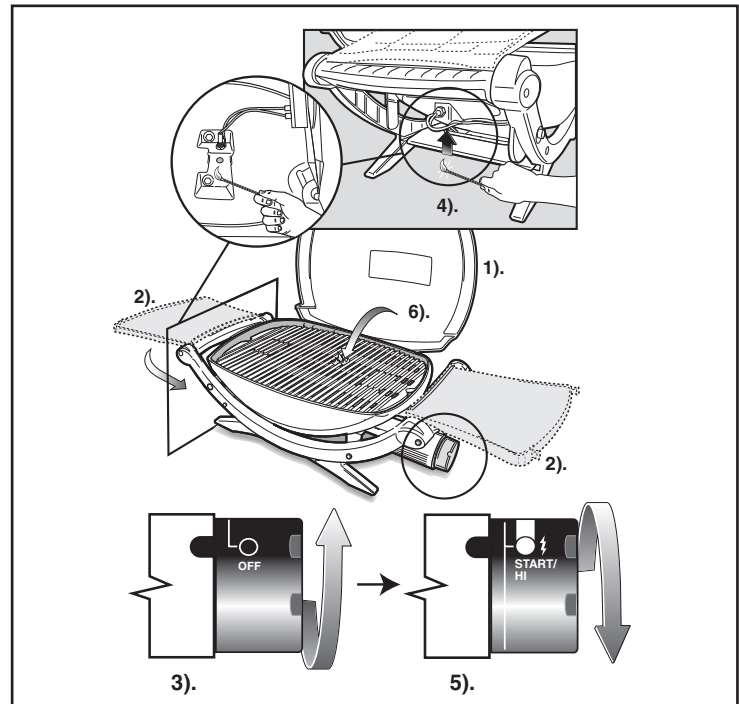
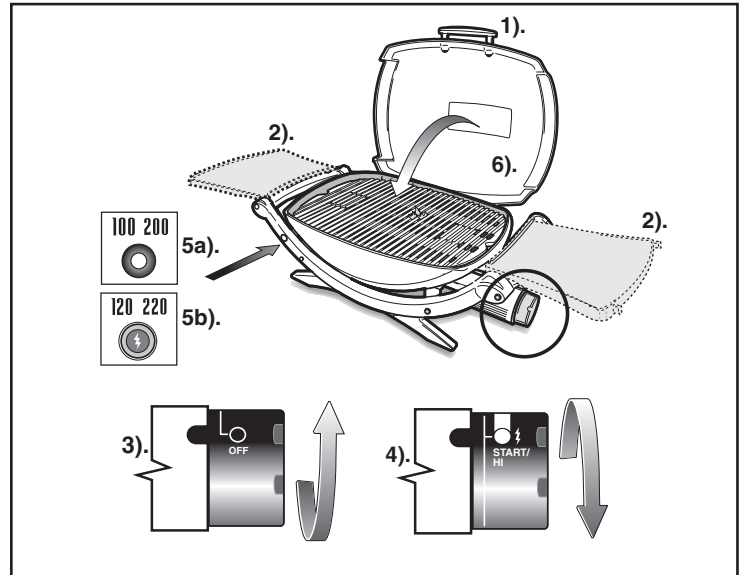
- 4) Strike a match and put the flame into the matchlight hole under the igniter.
- 5) Push burner control knob down and turn to START/HI.
- 6) Check that the burner is lit by looking down through the cooking grate. You should see a flame.

⚠ WARNING: If the burner does not light, turn the burner control knob to OFF and wait 5 minutes to let the gas clear before you try again or try to light with a match.

TO EXTINGUISH

Push in and turn burner control knob clockwise to the OFF position.

⚠ CAUTION do not fold in tables until grill is cold (Q120, 200, 220).



⚠ ATTENTION: This product has been safety tested and is only certified for use in a specific country. Refer to country designation located on outer carton.

These parts may be gas carrying or gas burning components. Please contact Weber-Stephen Products Co., Customer Service Department for genuine Weber-Stephen Products Co. replacement part(s) information.

⚠ WARNING: Do not attempt to make any repair to gas carrying or gas burning components without contacting Weber-Stephen Products Co., Customer Service Department. Your actions, if you fail to follow this product Warning, may cause a fire or an explosion resulting in serious personal injury or death and damage to property.

ANNUAL MAINTENANCE

INSPECTION AND CLEANING OF THE SPIDER/INSECT SCREEN

To inspect the spider/insect screen, remove the control knob bracket. If there is dust or dirt on the screen, remove the burner for cleaning the screen. Brush the spider/insect screen, lightly, with a soft bristle brush (i.e. an old toothbrush).

⚠ CAUTION: Do not clean the spider/insect screen with hard or sharp tools. Do not dislodge the spider/insect screen or enlarge the screen openings.

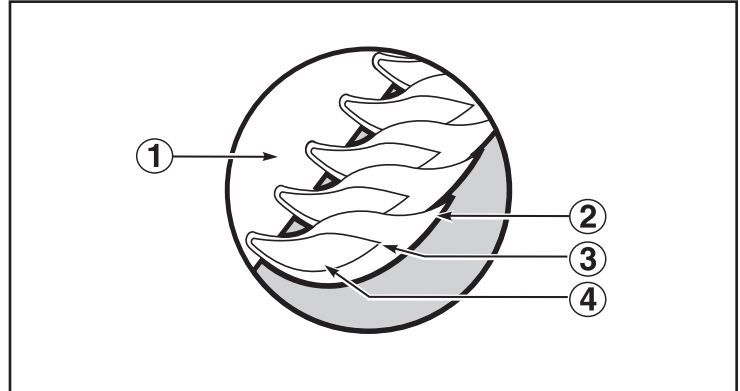
Lightly tap the burner to get debris and dirt out of the burner tube. Once the spider/insect screen and burner is clean replace the burner. If the spider/insect screen becomes damaged or cannot be cleaned, call Weber-Stephen Products Customer Service for replacement parts.

MAIN BURNER FLAME PATTERN

The Weber® gas grill burner has been factory set for the correct air and gas mixture. The correct flame pattern is shown.

- 1) Burner tube
- 2) Tips occasionally flicker yellow
- 3) Light blue
- 4) Dark blue

If the flames do not appear to be uniform throughout the burner tube, follow the burner cleaning procedures.



MAIN BURNER CLEANING PROCEDURE

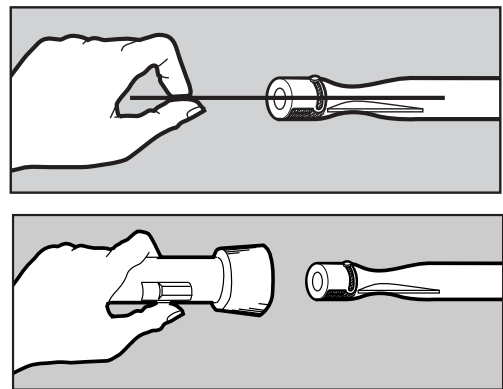
Turn off the gas supply. Remove the burner. (See Replacing Burner Tube.)

Look inside the burner with a flashlight.

Clean the inside of the burner with a wire (a straightened-out coat hanger will work).

Check and clean the air shutter opening at the ends of the burner. Check and clean the valve orifice at the base of the valve. Use a Steel bristle brush to clean outside of burner. This is to make sure all the burner ports are fully open.

⚠ CAUTION: Do not enlarge the burner ports when cleaning.



WEBER® SPIDER/INSECT SCREENS

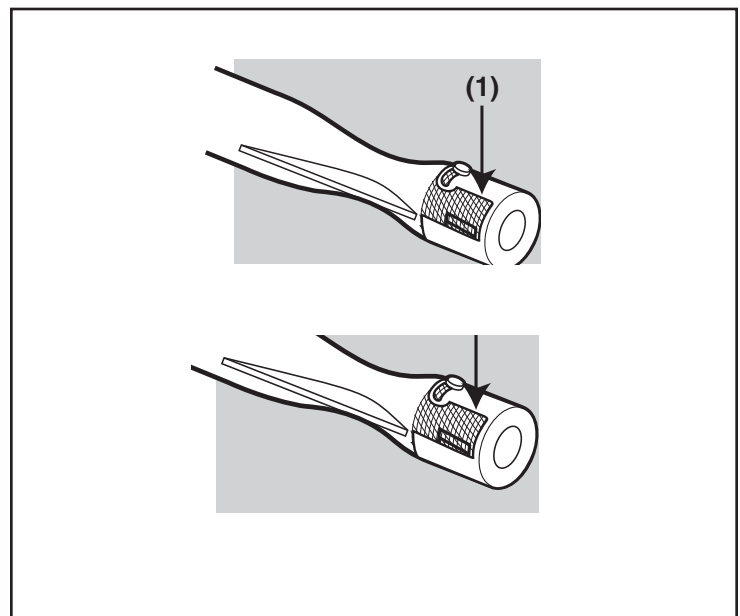
Your Weber® gas grill, as well as any outdoor gas appliance, is a target for spiders and other insects. They can nest in the venturi section(1) of the burner tube. This blocks the normal gas flow, and can cause the gas to flow back out of the air shutter. This could result in a fire in and around the air shutter, causing serious damage to your grill.

The burner tube air shutter is fitted with a stainless steel screen(1) to prevent spiders and other insects access to the burner tube through the air shutter openings. We recommend that you inspect the Spider/Insect screen at least once a year. Also inspect and clean the the Spider/Insect screen if any of the following symptoms should ever occur:

- 1) The smell of gas in conjunction with the burner flames appearing yellow and lazy.
- 2) Grill does not reach temperature.
- 3) Grill heats unevenly.
- 4) Burner does not ignite.

⚠ DANGER

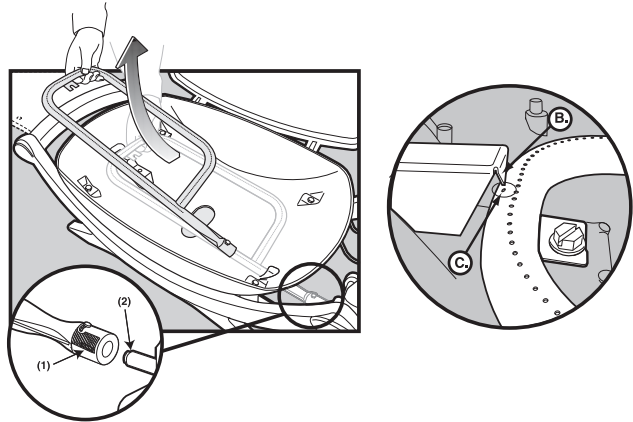
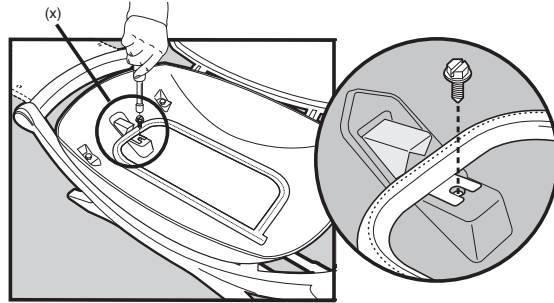
Failure to correct the above mentioned symptoms may result in a fire, which can cause serious bodily injury or death, and cause damage to property.



REPLACING BURNER TUBE

- 1) Your Weber® Q™ grill must be OFF and cool.
 - 2) Unscrew and remove propane cylinder from the valve/regulator assembly.
 - 3) Open the lid.
 - 4) Remove cooking grate.
 - 5) Remove the 1/4 X 20 inch screw that holds the burner tube to the cookbox (x).
 - 6) Carefully slide the burner tube out from the cook box.
- ⚠ Caution: The burner opening(1) must be positioned properly over the valve orifices(2).**
- 7) To reinstall the burner, reverse 5) through 7).

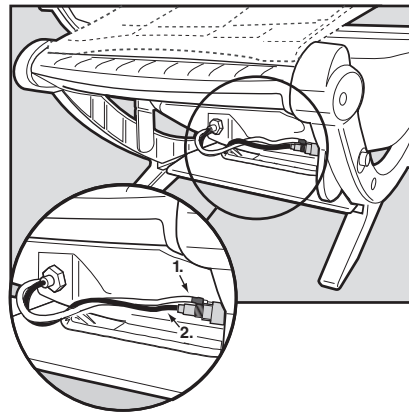
Make sure the igniter port hole (B) lines up with the arrow tab (C) on the igniter box.

**IGNITION SYSTEM OPERATIONS (Q100, 200)**

If the ignition system fails to ignite the burner, light the burner with a match. If the burner lights with a match, then check the ignition system.

- Check that both the white(1) and black(2) ignition wires are attached properly.
- Check that the ignition button pushes the igniter (button) down, and returns to the up position.

If the ignition system still fails to light, Contact the Customer Service Representative in your area using the contact information on our web site. Log onto www.weber.com®.

**ELECTRONIC IGNITION SYSTEM OPERATIONS (Q120, 220)**

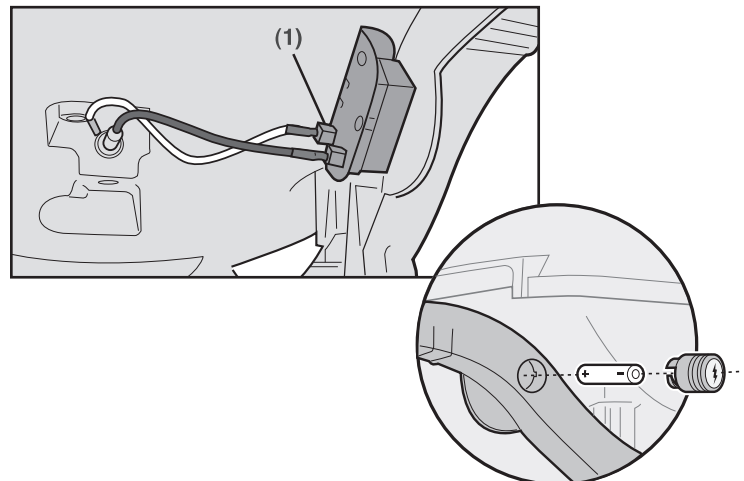
If the electronic ignition system fails to ignite the burner, light the burner with a match. If the burner lights with a match, then check the Electronic Ignition System.

- Check that both of the ignition wires are attached properly to the igniter electrodes (1) on the ignition module.
- Check that the Electronic Ignition Button is working by listening and looking for sparks at the burner.

REPLACE BATTERY IF NECESSARY

AAA alkaline battery only. See illustration:

If the Electronic Ignition System still fails to light, contact the Customer Service Representative in your area using the contact information on our web site. Log onto www.weber.com®.



**Registre su asador en línea visitando
www.weber.com[®]**

⚠ PELIGRO

Si usted huele gas:

- 1. Cierre el suministro de gas al artefacto.**
- 2. Apague cualquier llama encendida.**
- 3. Abra la tapa.**
- 4. Si el olor continuase, aléjese del artefacto e inmediatamente llame al cuerpo de bomberos.**

El no acatar estas instrucciones pudiera resultar en un fuego o explosión, que pudieran causar daños a la propiedad, lesiones personales o la muerte.

ESTE ARTEFACTO A GAS ESTÁ DISEÑADO PARA USARSE SOLAMENTE AL AIRE LIBRE.

⚠ PELIGRO

- 1. Nunca permita que este artefacto funcione desatendido.**
- 2. Nunca ponga a funcionar este artefacto a menos de 10 pies (3 mts.) de cualquier estructura, material combustible u otro cilindro de gas.**
- 3. Nunca ponga a funcionar este artefacto a menos de 25 pies (7.5 mts.) de cualquier líquido inflamable.**
- 4. Si llegase a presentarse un incendio, aléjese del artefacto e inmediatamente llame al cuerpo de bomberos. No trate de extinguir un fuego de aceite o grasa con agua.**

El no acatar estas instrucciones pudiera resultar en un fuego o explosión, que pudieran causar daños a la propiedad, lesiones personales o la muerte.

- ⚠ Este manual de instrucciones contiene información importante necesaria para el ensamble correcto y seguro de este artefacto.**
- ⚠ Lea y acate todas las advertencias e instrucciones antes de ensamblar y utilizar el artefacto.**
- ⚠ Al utilizar este artefacto, acate todas las advertencias y siga las instrucciones.**
- ⚠ Guarde este manual para futuras consultas.**



INSTRUCCIONES GENERALES

⚠ ADVERTENCIAS

- ⚠ Antes de poner en funcionamiento a la barbacoa, siga cuidadosamente todos los procedimientos en este manual para verificar que no existan fugas. Haga esto aun y cuando la barbacoa haya sido ensamblada por el distribuidor.
- ⚠ No almacene un cilindro de propano licuado desconectado o de repuesto debajo o cerca de esta barbacoa.
- ⚠ El ensamblaje incorrecto puede ser peligroso. Por favor siga cuidadosamente las instrucciones de ensamblaje en este manual.
- ⚠ Tras haber estado guardada o sin uso por algún tiempo, antes de usar el asador de gas Weber® verifique que no existan fugas de gas o obstrucciones en el quemador. Vea en este manual las instrucciones para los procedimientos correctos.
- ⚠ No opere el asador de gas Weber® si existe una fuga de gas.
- ⚠ No utilice una llama abierta para comprobar la existencia de fugas de gas.
- ⚠ Nunca deben haber materiales combustibles a una distancia menor de 24 pulgadas (63.5 cm) de la parte posterior o lateral de la barbacoa de gas Weber®.
- ⚠ Nunca deje que los niños usen la barbacoa de gas Weber®. Partes accesibles de la barbacoa pudieran estar muy calientes. Mantenga alejados a los niños pequeños mientras se esté usando.
- ⚠ Usted debe proceder con razonable cuidado al usar su barbacoa de gas Weber®. Estará caliente mientras se cocina en ella o se limpia, y nunca deberá dejarse desatendida o moverse mientras esté funcionando.
- ⚠ Si llegasen a apagarse los quemadores, cierre las válvula de gas. Abra la tapa y espere cinco minutos antes de tratar de volver a encender la barbacoa, siguiendo las instrucciones de encendido.
- ⚠ No use carbón o piedra pómez en su barbacoa de gas Weber®.
- ⚠ No se incline sobre la barbacoa abierta o coloque las manos o dedos en el borde delantero de la caja de cocción.
- ⚠ Si la grasa llegase a prenderse, apague el quemador y mantenga la tapa cerrada hasta que se haya apagado el fuego.
- ⚠ Al limpiar las válvulas o los quemadores, no ensanche los orificios de las válvulas o las aberturas de los quemadores.
- ⚠ La barbacoa de gas Weber® deberá limpiarse a fondo regularmente.
- ⚠ Use el regulador que se suministra con la barbacoa de gas Weber®.
- ⚠ El gas propano no es gas natural. El uso de gas natural en una unidad de propano licuado o viceversa, propano licuado en una de gas natural, es peligroso y anulará su garantía.
- ⚠ Mientras esté funcionando la barbacoa, no trate de desconectar ninguna conexión de gas.
- ⚠ Mientras opere la barbacoa, utilice guantes resistentes al calor.
- ⚠ Mantenga todo cable eléctrico alejado de cualquier superficie caliente.
- ⚠ Los subproductos de la combustión producidos al usar este producto contienen sustancias químicas que son conocidas por el Estado de California como causantes de cáncer, defectos de nacimiento y otros daños reproductivos.
- ⚠ No use esta barbacoa a menos que todas sus partes estén ensambladas en su sitio correcto. La unidad debe estar correctamente ensamblada según se indica en las instrucciones indicadas en la sección de "Instrucciones de ensamblaje" de la Guía del Propietario.
- ⚠ No use la barbacoa Weber® Q™ en una maleta de vehículo, camioneta, mini-van, vehículo utilitario deportivo (SUV), o vehículo recreativo (RV).
- ⚠ No trate de desconectar el regulador de gas o cualquier otra conexión de gas mientras esté funcionando la barbacoa.
- ⚠ No construya este modelo de barbacoa en ninguna construcción en la que la barbacoa esté incorporada de manera fija o deslizable. El no acatar esta Advertencia pudiera resultar en un fuego o una explosión que pudiera causar daños a la propiedad y heridas corporales graves o la muerte.
- ⚠ Propuesta 65 Advertencia: El manipular los materiales de latón en este producto lo exponen al plomo, una sustancia química conocida por el estado de California como causante de cáncer, de defectos de nacimiento o de otros daños reproductivos. (Lávese las manos después de manipular este producto.)
- ⚠ Si usted viese, oliese o escuchase el silbido de un escape de gas del cilindro de propano licuado:
 1. Apártese del cilindro de propano líquido.
 2. No trate de corregir el problema usted mismo.
 3. Llame al departamento de bomberos de la localidad.

Si tiene preguntas o necesita asesoría relacionada con su parrilla o su funcionamiento seguro, llame sin costo a nuestra línea permanente **1-800-446-1071** y un Experto de Weber® Q™ le ayudará. Atendemos las 24 horas del día, todos los días de año, con excepción de Navidad. O también puede visitar www.weber.com. Encontrará un sinnúmero de consejos útiles y muchas recetas deliciosas en nuestro sitio web.

Su asador a gas Weber® es un aparato de cocina portátil para exteriores. Con el asador a gas Weber® puede asar, cocinar, dorar y hornear con resultados que son difíciles de imitar con aparatos de cocina para interiores. La cubierta cerrada produce ese sabor "de exteriores" en la comida.

El asador a gas Weber® es portátil de manera que puede cambiarlo fácilmente de lugar en su patio trasero o delantero. Portabilidad significa que puede llevar el asador a gas Weber®, si se mueve.

El suministro de gas propano es fácil de utilizar y le ofrece más control de cocinado que el combustible de carbón.

- Estas instrucciones le proporcionarán los requisitos mínimos para ensamblar su asador a gas Weber®. Lea las instrucciones cuidadosamente antes de utilizar su asador a gas Weber®. Si se ensambla inadecuadamente podría ser peligroso.
- No debe ser utilizado por niños.
- Si hay códigos locales que aplican a parrillas de gas portátil, se deberá regir con éstos. Si no hay códigos locales, se deberá regir con la última edición del Código Nacional de Gas Combustible: ANSI Z 223.1/NFPA54.
- Se debe utilizar el regulador de presión que se incluye con el asador a gas Weber®. Este regulador está configurado para 10.5 pulgadas de columna de agua (presión).
- Este asador a gas Weber® está diseñado para utilizarlo con gas propano únicamente. No lo utilice con gas natural (suministrado por tubería en la ciudad). La válvula y el regulador son para uso exclusivo con gas propano.
- No los utilice con combustible de carbón.
- Esta barbacoa de gas Weber® no está diseñada para uso comercial.

- El uso de alcohol o de drogas, recetadas o no, puede afectar la capacidad del comprador para ensamblar apropiadamente este aparato o operarlo de manera segura.
- Esta barbacoa de gas Weber® no está diseñada para usarse ni jamás deberá usarse como un calentador.
- No deje a la barbacoa de gas Weber® sola en ningún momento. Mantenga a niños y mascotas alejados de la barbacoa de gas Weber® en todo momento.
- Asegúrese de que el área debajo del panel de control y la bandeja inferior no tenga desechos que pudiesen obstruir el flujo de aire de combustión o de ventilación.

Para la instalación en Canadá: Estas instrucciones, a pesar de que son generalmente aceptadas, no necesariamente cumplen con los Códigos de instalación canadienses, particularmente con tuberías sobre y debajo de la tierra. En Canadá la instalación de este aparato debe cumplir con los códigos locales o con el Código de instalación de gas natural y propano CAN/CGA-B149.1 estándar.

ALMACENAMIENTO O DESUSO

- Cuando el asador a gas Weber® no esté en uso, el cilindro de propano se debe DESCONECTAR, y el cilindro de propano se debe almacenar en el exterior en un área bien ventilada. Coloque las tapas antipolvo sobre las bocas de salida de la válvula del cilindro cuando éste no se esté usando.
- Se debe revisar si el asador a gas Weber® tiene fugas de gas y cualquier obstrucción en los tubos del quemador antes de utilizarlo. (Consulte las secciones: "Mantenimiento general y mantenimiento anual").
- También se debe revisar si el protector contra arañas e insectos tiene obstrucciones. (Consulte la sección: "Mantenimiento anual").

OPERACIÓN

- ⚠ **ADVERTENCIA:** Utilice este asador en únicamente en exteriores en un área bien ventilada. No lo utilice en una garaje, edificio, pasaje techado entre edificios o en cualquier otra área cerrada.
- ⚠ **ADVERTENCIA:** Su barbacoa de gas Weber no deberá usarse debajo de ninguna construcción elevada que sea combustible.
- ⚠ **ADVERTENCIA:** Su asador a gas Weber® no está diseñado para instalarlo en o sobre vehículos recreacionales o botes.
- ⚠ **ADVERTENCIA:** No utilice la barbacoa a menos de 24 pulgadas de materiales combustibles.
- ⚠ **ADVERTENCIA:** La caja de cocción completa se calienta cuando está en uso. No la descuide.
- ⚠ **ADVERTENCIA:** Mantenga alejado de cualquier superficie caliente cualquier cordón de suministro eléctrico.
- ⚠ **ADVERTENCIA:** Mantenga el área de cocina libre de vapores y líquidos inflamables como la gasolina, el alcohol, etc. y de materiales combustibles.

⚠ **ADVERTENCIA:** Nunca almacene un cilindro de propano adicional (repuesto) debajo o cerca del asador a gas Weber®.

⚠ **ADVERTENCIA:** Cuando se esté cocinando, el aparato deberá estar sobre una superficie nivelada y estable en un área libre de material combustible. Una superficie de asfalto puede que no sea aceptable para este propósito.

COCCIÓN

Para comenzar: Consulte su guía de parrillada de las Tarjetas Q™.

Para encender la parrilla: Consulte las instrucciones de encendido que se incluyen en este manual del propietario y que están impresas en las mesas plegables (Q120, 200, 220) de su parrilla.

Para precalentar la parrilla: Encienda Q™ de Weber® de acuerdo con las instrucciones de encendido que se incluyen en este manual del propietario. Cierre la cubierta y gire la perilla de control del quemador a Start/Hi (Inicio/Alto). Precaliente la parrilla durante 5 a 10 minutos (dependiendo de condiciones tales como la temperatura del aire y el viento). Una vez esté precalentada la parrilla, establezca la perilla de control del quemador en el ajuste especificado en la receta o en la sugerida en la guía para parrillada de las Tarjetas Q™.

Nota: En condiciones de viento y según el clima se puede requerir el ajuste de la perilla de control del quemador para obtener la temperatura de cocción correcta.

Si el quemador se apaga cuando cocina, abra la cubierta, apague el quemador y espere cinco minutos antes de volverlo a encender.

Escurrimientos y grasa: Los escurrimientos y grasas abundantes se recogerán en el recipiente receptor que se encuentra en la bandeja inferior deslizante (que se encuentra debajo de la parrilla). Se ofrecen recipientes para escurrimientos desechables de Weber®, los cuales se ajustan al recipiente receptor.

⚠ **ADVERTENCIA:** Antes de usar el asador revise si en el recipiente receptor y en la parte inferior de la parrilla hay acumulaciones de grasa. Retire el exceso de grasa para evitar un incendio en la parte inferior de la parrilla.

⚠ **ADVERTENCIA:** No mueva Q™ de Weber® cuando esté en operación o cuando la parrilla esté caliente.

LIMPIEZA

⚠ **ADVERTENCIA:** Apague su asador a gas Weber® y deje que se enfríe antes de limpiarlo.

Si desea confirmar la disponibilidad de parrillas de cocción de reemplazo, comuníquese con el Representante de servicio al cliente de su región, por medio de la hoja de información de contacto que se incluye en su manual. Aller sur www.weber.com.
Superficies externas – Utilice una solución de agua con jabón para limpiar, luego enjuague con agua.

⚠ **PRECAUCIÓN:** No utilice limpiador de horno, limpiadores abrasivos (limpiadores de cocina) que contengan productos cítricos o esponjas abrasivas para limpieza en las superficies del asador o de la carretilla.

Saque la bandeja inferior – Retire el exceso de grasa, luego lave con agua jabonosa caliente y enjuague

Parrilla de cocción – Limpie con un cepillo de cerdas de bronce adecuado. Como sea necesario, retire la parrilla y lávela con agua jabonosa caliente, y enjuague.

Recipiente receptor – Puede conseguir bandejas desechables de aluminio, o puede recubrir el recipiente receptor con papel aluminio. Para limpiar el recipiente receptor, lave con agua jabonosa caliente, luego enjuague.

Caja de cocción interior – Retire con un cepillo cualquier desecho de los tubos del quemador. NO AGRANDE LOS PUERTOS DEL QUEMADOR (ABERTURAS). Lave el interior de la caja de cocción con agua jabonosa caliente y enjuague con agua.

Cubierta interior - Mientras la cubierta esté tibia, limpie su interior con toallas de papel para evitar la acumulación de grasa. Las escamas de grasa acumuladas se parecen a las escamas de pintura.

Mesas de trabajo plegables – Lave con un paño suave y una solución de agua y jabón (Q120, 200, 220). No utilice limpiadores que contengan ácido, alcohol mineral o xileno. Enjuague exhaustivamente después de limpiar.

Las mesas de trabajo plegables no están diseñadas para utilizarlas como tablas de picar.

CONEXIÓN DEL CILINDRO DE GAS PROPANO

Utilice cilindros de propano con una capacidad de 14,1 o 16,4 onzas. Puede conseguir estos tanques en la sección de camping, ferretería o plomería de la tienda donde esté comprando.

⚠ Precaución: Utilice solamente cilindros que estén marcados "Combustible propano"

Nota: Su barbacoa de gas Weber® viene equipada con un sistema de suministro con cilindros diseñado para la extracción de vapor.

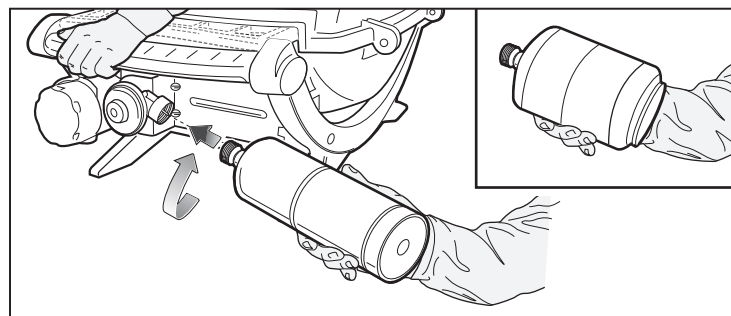
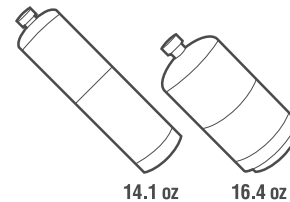
Mientras sostiene con una mano el asidero más cercano al cilindro de propano, presione el cilindro de propano dentro del regulador y gírelo en dirección de las agujas del reloj hasta quedar apretado.

⚠ PELIGRO

No utilice llamas al aire libre para revisar las fugas de gas. Asegúrese de que no existan chispas o llamas al aire libre en el área en donde revisa si hay fugas. Las chispas o llamas provocarán un incendio o una explosión que puede ocasionar serias lesiones corporales o la muerte, y daños a la propiedad.

⚠ PELIGRO

No almacene un cilindro de propano licuado de repuesto debajo o cerca de este aparato. Jamás llene el cilindro más allá de un 80% de su capacidad plena. Si no se siguen las instrucciones de manera precisa, puede ocurrir un fuego con consecuencias letales o causante de lesiones serias.



⚠ ADVERTENCIA: No utilice una llave para apretar la conexión. El uso de una llave podría dañar el acoplamiento del regulador y ocasionar una fuga.

VERIFICACIÓN DE FUGAS DE GAS

Después de un periodo sin uso, se recomienda que usted efectúe los siguientes procedimientos de mantenimiento para su seguridad.

- Inspeccione el quemador para ver el molde de llama correcto. Efectúe una limpieza, si fuera necesaria, siguiendo los procedimientos descritos en la sección "Mantenimiento general" de este manual.
- Revise todos los empalmes de gas en busca de fugas.

⚠ ADVERTENCIA: Realice estas verificaciones de fugas aún si su asador fue ensamblado por el distribuidor o la tienda.

Necesitará: una solución de jabón y agua y un trapo o cepillo para aplicarla. Para realizar las verificaciones de fugas: Asegúrese de que el Quemador esté en la posición apagado (off). Conecte el suministro de gas.

⚠ ADVERTENCIA: No encienda el quemador mientras realiza la verificación de fugas.

Verifique las fugas, mojando las conexiones con la solución de jabón y agua y observando si hay burbujas. Si se forman burbujas o si una burbuja crece, existe una fuga.

Nota: Debido a que algunas soluciones para prueba de fugas, incluyendo la de jabón y agua, pueden ser ligeramente corrosivas, todas las conexiones deben enjuagarse con agua después de haber revisado fugas.

Revise:

- 1) Conexión del regulador hacia el cilindro de propano.

⚠ ADVERTENCIA: Si existe una fuga en la conexión (1), retire el cilindro de propano. No ponga en funcionamiento la parrilla. Utilice un cilindro de propano diferente y vuelva a revisar si hay fugas con una solución de jabón y agua. Si una fuga persiste después de apretar de nuevo el cilindro de propano, DESCONECTE el gas. NO PONGA EN FUNCIONAMIENTO LA PARRILLA. Contacte al Representante de Servicio a los Clientes en su región usando la información de contacto en nuestro sitio en la Internet. Conéctese a www.weber.com®.

Revise:

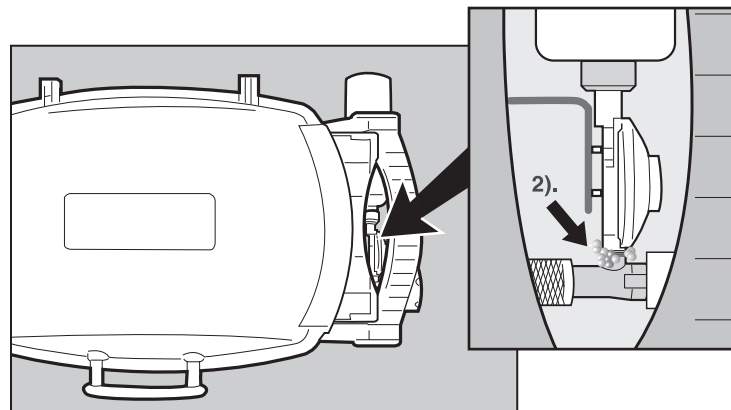
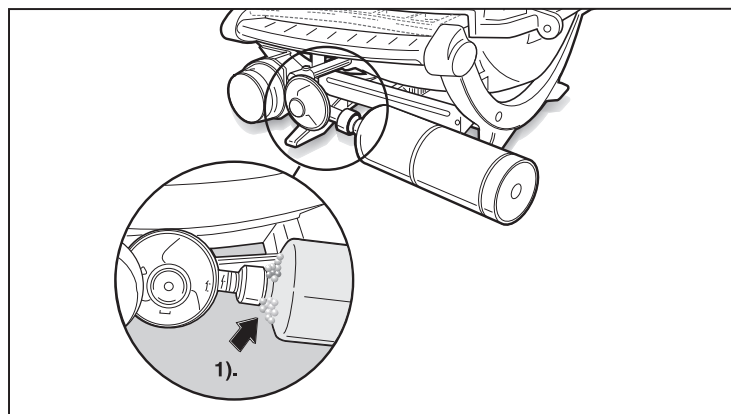
- 2) Las conexiones de la válvula hacia el regulador.

⚠ ADVERTENCIA: Si existe una fuga en la conexión (2), DESCONECTE el gas. NO PONGA EN FUNCIONAMIENTO LA PARRILLA. Contacte al Representante de Servicio a los Clientes en su región usando la información de contacto en nuestro sitio en la Internet. Conéctese a www.weber.com®.

Cuando haya finalizado la revisión de fugas, DESCONECTE el suministro de gas en la fuente y enjuague las conexiones con agua.

⚠ ADVERTENCIA: Debe revisar si hay fugas de gas cada vez que desconecte y vuelva a conectar el empalme de gas.

Nota: Todas las conexiones de fábrica, han sido completamente revisadas en busca de fugas de gas. A los quemadores se les ha realizado prueba de llamas. Como una precaución por seguridad, sin embargo, debe revisar de nuevo todos los empalmes para ver si hay fugas, antes de utilizar su asador a gas Weber®. El envío y el manejo pueden haber aflojado o dañado un empalme de gas.



ENCENDIDO

El resumen de las instrucciones de encendido aparece en la superficie de trabajo plegable.

- 1) Abra la cubierta.
- 2) Extienda las superficies de trabajo (Q120, 200, 220).
- 3) Asegúrese de que la perilla de control esté en OFF (apagado). [Empuje la perilla de control y gírela hacia la derecha para asegurarse de que está en la posición OFF (apagado).

⚠ ADVERTENCIA: No se apoye sobre el asador abierto. Mantenga su rostro y cuerpo al menos un pie alejado del agujero de encendido con fósforos cuando esté encendiendo el asador.

- 4) Empuje la perilla de control del quemador y gírela hacia START/HI (INICIO/ALTO).
- 5a) Presione el botón de encendido rojo varias veces, de manera que haga clic cada vez (Q100, 200).
- 5b) Presione el botón de encendido electrónico varias veces. Lo oírá chisporrotear (Q120, 220).
- 6) Revise que el quemador esté encendido al ver a través de la parilla de cocción la parte debajo de ésta. Debe ver una llama.

⚠ ADVERTENCIA: Si el quemador no enciende, gire la perilla de control del quemador a OFF (apagado) y espere 5 minutos para dejar que se despeje el gas antes de intentar de nuevo o intente encender con un fósforo.

PARA EXTINGUIR

Empuje y gire la perilla de control del quemador hacia la derecha a la posición OFF (apagado).

⚠ Precaución no doble las mesas hasta que la parilla esté fría (Q120, 200, 220).

ENCENDIDO MANUAL

- 1) Abra la cubierta.
- 2) Extienda las superficies de trabajo (Q120, 200, 220).
- 3) Asegúrese de que la perilla de control del quemador esté en OFF (apagado).

⚠ ADVERTENCIA: No se apoye sobre el asador abierto. Mantenga su rostro y cuerpo al menos un pie alejado del agujero de encendido con fósforos cuando esté encendiendo el asador.

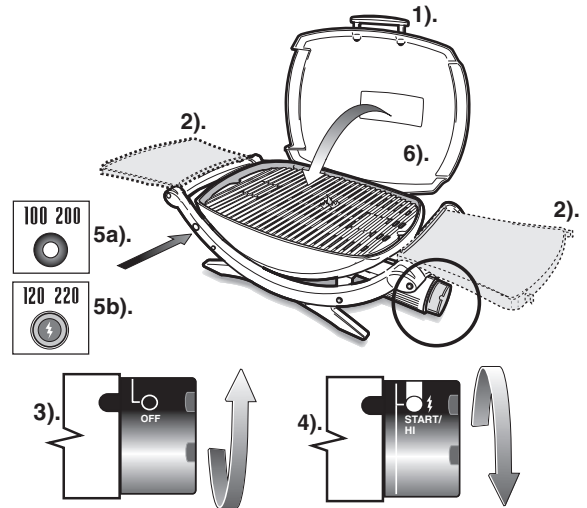
- 4) Encienda un fósforo y coloque la llama en el agujero para encender con fósforos que se encuentra debajo del encendedor.
- 5) Empuje la perilla de control del quemador y gírela hacia START/HI (INICIO/ALTO).
- 6) Revise que el quemador esté encendido al ver a través de la parilla de cocción la parte debajo de ésta. Debe ver una llama.

⚠ ADVERTENCIA: Si el quemador no enciende, gire la perilla de control del quemador a OFF (apagado) y espere 5 minutos para dejar que se despeje el gas antes de intentar de nuevo o intente encender con un fósforo.

PARA EXTINGUIR

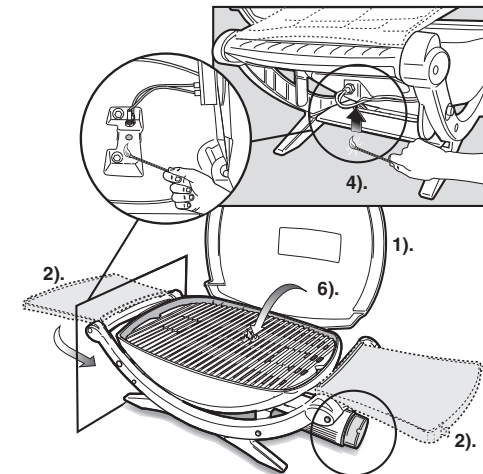
Empuje y gire la perilla de control del quemador hacia la derecha a la posición OFF (apagado).

⚠ Precaución no doble las mesas hasta que la parilla esté fría (Q120, 200, 220).



⚠ PELIGRO

Si no abre la cubierta mientras enciende los quemadores del asador o si no espera por 5 minutos a que se despeje el gas en caso de que no encienda el asador, se puede provocar una llamarada explosiva que podría ocasionar lesiones personales graves o la muerte.



⚠ PELIGRO

Si no abre la cubierta mientras enciende los quemadores del asador o si no espera por 5 minutos a que se despeje el gas en caso de que no encienda el asador, se puede provocar una llamarada explosiva que podría ocasionar lesiones personales graves o la muerte.

⚠ ATENCIÓN: A este producto se le han realizado pruebas de seguridad y ha sido certificado para usarse en un país específico. Refiérase al país indicado en la parte externa del cartón de empaque.

Estas partes pueden ser componentes que transporten gas o lo quemen. Por favor póngase en contacto con el Departamento de Atención al Cliente de Weber-Stephen Products Co. para obtener información sobre las partes de repuesto Weber-Stephen Products Co. genuinas.

⚠ ADVERTENCIA: No trate de realizar reparación alguna a los componentes que transporten o quemen gas sin antes ponerse en contacto con el Departamento de Atención al Cliente de Weber-Stephen Products Co. Si no llegase a acatar esta advertencia, sus acciones podrían causar un fuego o una explosión que resulte en lesiones personales serias o la muerte o daños a la propiedad.

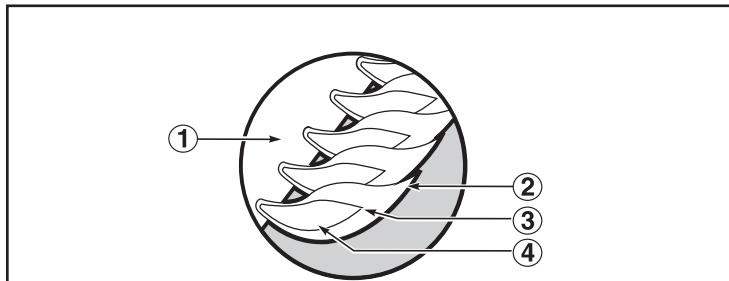
MANTENIMIENTO ANUAL**INSPECCIÓN Y LIMPIEZA DEL FILTRO CONTRA ARAÑAS E INSECTOS**

Para inspeccionar la malla contra arañas e insectos, retire el soporte de la perilla de control. Si existe polvo o suciedad en el filtro, retire el quemador para poder limpiar el filtro. Cepille ligeramente el filtro contra arañas e insectos con un cepillo de cerdas suaves (p. ej., un cepillo de dientes viejo).

⚠ PRECAUCIÓN: No limpie el filtro contra arañas e insectos con herramientas fuertes o afiladas. No desaloje el filtro contra arañas e insectos o aumente las aberturas del filtro.

Golpetee el quemador para eliminar desperdicios o suciedad del tubo del quemador. Después de haber limpiado el filtro contra arañas e insectos y el quemador, coloque de nuevo el quemador.

Si el filtro contra arañas e insectos llegara a dañarse o no se pudiera limpiar, llame a Servicio al cliente de Productos Weber-Stephen para obtener partes de reemplazo.

**MOLDE PRINCIPAL DEL QUEMADOR DE LLAMA**

El quemador del asador a gas Weber® ha sido configurado en fábrica para la correcta mezcla de aire y gas. Se muestra el molde de llama correcto.

- 1) Tubo del quemador
- 2) Las puntas ocasional-mente titilan en amarillo
- 3) Azul claro
- 4) Azul oscuro

Si las llamas no se ven uniformes en todo el tubo del quemador, siga los procedimientos para limpieza del quemador.

PROCEDIMIENTO DE LIMPIEZA DEL QUEMADOR PRINCIPAL

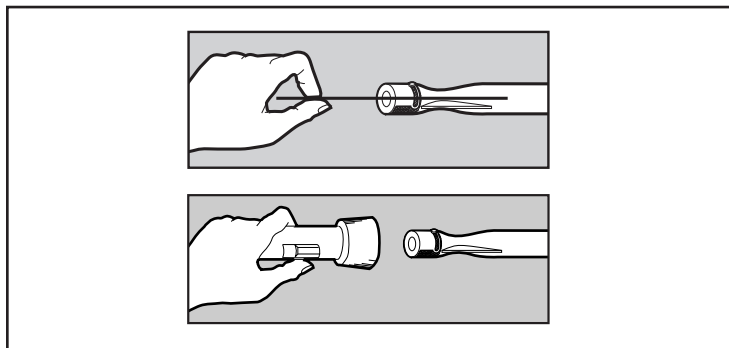
Desconecte el suministro de gas. Retire el quemador. (Consulte Reemplazo del tubo del quemador.)

Mire dentro del quemador con una linterna.

Limpie el interior del quemador con un cable (una sercha abierta funcionará).

Verifique y limpie la abertura del cierre del aire en los extremos del quemador. Verifique y limpie el orificio de la válvula en la base de ésta. Utilice un cepillo de cerdas de acero para limpiar el exterior del quemador. Esto se hace para asegurarse que todos los puertos del quemador están completamente abiertos.

⚠ PRECAUCIÓN: No agrande los puertos del quemador cuando efectúe la limpieza.



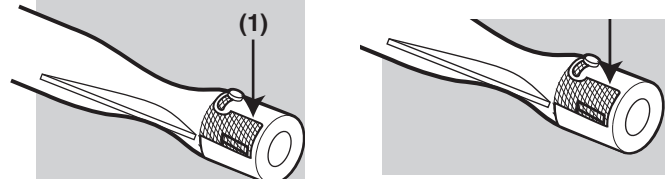
PROTECTOR CONTRA ARAÑAS E INSECTOS DE WEBER®

Su asador a gas Weber®, así como cualquier otro aparato de gas para exteriores, es un objetivo para las arañas y otros insectos. Éstos pueden anidar en la sección venturi (1) del tubo del quemador. Esto bloquea el flujo normal de gas, y puede ocasionar que el gas fluya de regreso fuera del cierre de aire. También podría ocasionar un incendio dentro y fuera del cierre del aire, ocasionando serios daños a su asador.

El cierre de aire del tubo del quemador está ajustado con un filtro de acero inoxidable (1)inoxidable de acero para prevenir arañas y otros insectos conseguir acceso a al tubo del quemador por el postigo aéreo abre.

Le recomendamos que inspecciones el filtro contra arañas e insectos por lo menos una vez al año. (Consulte la Sección "Mantenimiento anual.") También inspeccione y limpie el filtro contra arañas e insectos, si se presentaran algunos de los siguientes síntomas:

- 1) El olor a gas en conjunto con las llamas del quemador parece amarillo y está lento.
- 2) El asador no alcanza la temperatura.
- 3) El asador no se calienta de manera uniforme.
- 4) Quemador no enciende.



⚠ PELIGRO

Si no se reconocen los síntomas mencionados, se puede producir un incendio, lo que ocasionaría serias lesiones corporales o la muerte, y daños a la propiedad.

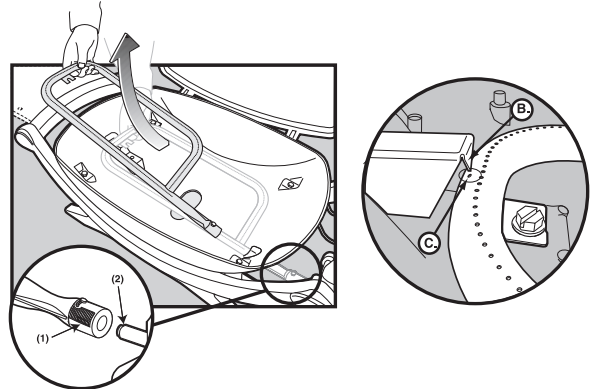
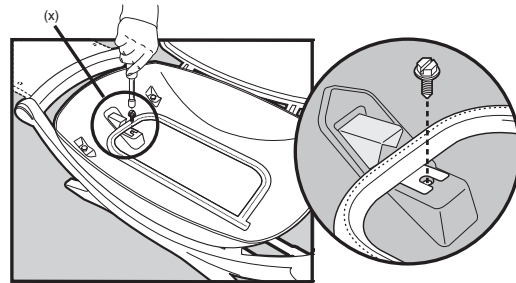
REEMPLAZO DEL TUBO DEL QUEMADOR

- 1) Su asador Q™ de Weber® debe estar APAGADO y frío.
- 2) Desconecte y retire el cilindro de propano del ensamble de la válvula/regulador.
- 3) Abra la tapa.
- 4) Retire la parrilla de cocción.
- 5) Saque el tornillo de 1/4 X 20 pulgadas que sostiene el tubo quemador a la caja de cocción (x).
- 6) Deslice con cuidado el tubo del quemador para retirarlo de la caja de cocción.

⚠ PRECAUCIÓN: las aperturas del quemador(1) deberán posicionarse correctamente sobre los orificios de la válvula(2).

- 7) Para instalar de nuevo los quemadores, repita los pasos del 5) al 7).

Asegúrese de que el orificio del encendedor (B) este alineado con el rótulo de la flecha (C) sobre el cajetín del encendedor.



OPERACIONES DEL SISTEMA DE ENCENDIDO (Q100, 200)

Si el sistema de encendido no enciende el quemador, enciéndalo con un fósforo. Si el quemador enciende con un fósforo, entonces revise el sistema de encendido.

- Verifique que los cables de ignición, tanto el blanco (1) como el negro (2) estén adecuadamente conectados.
- Verifique que el botón de ignición empuje hacia abajo el encendedor (botón) y regrese a la posición superior.

Si el sistema de ignición aún no funciona, Contacte al Representante de Servicio a los Clientes en su región usando la información de contacto en nuestro sitio en la Internet. Conéctese a www.weber.com.

OPERACIONES DEL SISTEMA DE ENCENDIDO ELECTRÓNICO (Q120, 220)

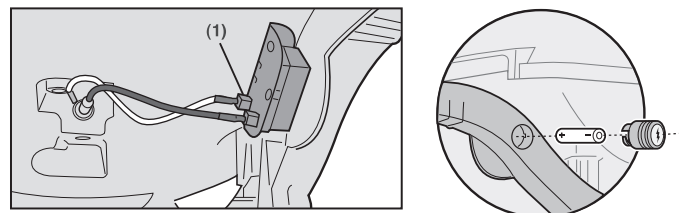
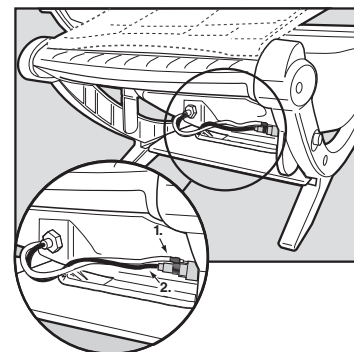
Si el sistema de ignición no logra encender el quemador, enciéndalo con una cerilla. Si el quemador se enciende con una cerilla, entonces revise el sistema de encendido electrónico.

- Verifique que ambos cables de encendido estén correctamente conectados a los electrodos del encendedor (1) en el módulo de encendido.
- Revise que el botón de encendido electrónico esté funcionando mediante la verificación visual y auditiva de que se estén generando chispas en el quemador.

REEMPLACE LA BATERÍA SI FUESE NECESARIO.

Use solamente baterías alcalinas AAA. *Vea la ilustración:*

Si el sistema de encendido electrónico aún no logra encender el quemador, contacte al Representante de Servicios al Cliente en su área usando la información de contacto en nuestro sitio web. Conéctese a www.weber.com.



Enregistrez votre grill en ligne sur www.weber.com[®]

⚠ DANGER

Si vous sentez du gaz:

- 1. Fermez le gaz en direction de l'appareil.**
- 2. Eteignez toute flamme nue.**
- 3. Ouvrez le couvercle.**
- 4. Si l'odeur persiste, tenez-vous à l'écart de l'appareil et appelez immédiatement votre service incendie.**

Le non respect de ces consignes pourrait entraîner un incendie ou une explosion, qui pourrait provoquer des dégâts matériels, des blessures ou un décès.

CET APPAREIL A GAZ EST CONCU POUR UNE UTILISATION EN EXTERIEUR UNIQUEMENT.

⚠ DANGER

- 1. Ne jamais faire fonctionner cet appareil sans surveillance.**
- 2. Ne jamais faire fonctionner cet appareil à moins de 10 pieds (3,05 m) d'une autre bouteille de gaz.**
- 3. Ne jamais faire fonctionner cet appareil à moins de 25 pieds (7,5 m) d'un liquide inflammable.**
- 4. En cas d'incendie, tenez-vous à l'écart de l'appareil et appelez immédiatement votre service incendie. Ne tentez pas d'éteindre un feu d'huile ou de graisse avec de l'eau.**

Le non respect de ces consignes pourrait entraîner un incendie, une explosion ou un risque de brûlure, qui pourrait provoquer des dégâts matériels, des blessures ou un décès.

- ⚠ Cette notice contient des renseignements importants permettant un assemblage adéquat et à une utilisation sécuritaire de l'appareil.**
- ⚠ Lire et suivre toutes les mises en garde et toutes les instructions avant l'assemblage et l'utilisation de l'appareil.**
- ⚠ Suivre toutes les mises en garde et toutes les instructions lors de l'utilisation de l'appareil.**
- ⚠ Conservez cette notice pour consultation ultérieure.**



⚠ AVERTISSEMENTS

- ⚠ Suivez attentivement toutes les procédures de détection des fuites de ce manuel avant d'utiliser le barbecue. Faites-le même si le barbecue a été monté par le revendeur.
- ⚠ Ne stockez pas une bouteille de propane de rechange ou une bouteille de propane déconnectée sous ou à proximité de ce barbecue.
- ⚠ Un mauvais assemblage peut se révéler dangereux. Veuillez suivre attentivement les instructions pour le montage de ce manuel.
- ⚠ Après une période de stockage et/ou d'inutilisation, le barbecue à gaz Weber® devrait faire l'objet d'un contrôle de détection des fuites de gaz et des obstructions des brûleurs avant toute utilisation. Voir les instructions de ce manuel pour connaître les procédures correctes.
- ⚠ N'utilisez pas le barbecue à gaz Weber® en cas de fuite de gaz.
- ⚠ N'utilisez pas de flamme pour détecter les fuites de gaz.
- ⚠ Les matériaux inflammables ne devraient jamais se trouver à moins de 24 pouces (63,5cm) de l'arrière ou des côtés de votre barbecue à gaz Weber®.
- ⚠ Votre barbecue à gaz Weber® ne devrait jamais être utilisé par des enfants. Les pièces accessibles du barbecue peuvent atteindre des températures très élevées. Maintenez les jeunes enfants à l'écart lors de son utilisation.
- ⚠ Vous devriez faire preuve d'une prudence raisonnable lorsque vous utilisez votre barbecue à gaz Weber®. Il sera très chaud pendant la cuisson ou le nettoyage et ne devrait jamais être laissé sans surveillance, ou déplacé en cours d'utilisation.
- ⚠ Si le brûleur s'éteignait en cours d'utilisation, fermez la valve d'arrivée de gaz. Ouvrez le couvercle et patientez cinq minutes avant de tenter de le rallumer, en utilisant les instructions pour l'allumage.
- ⚠ N'utilisez pas de charbon de bois ou de pierre de lave dans votre barbecue à gaz Weber®.
- ⚠ Ne vous penchez jamais au-dessus d'un grill ouvert ou ne placez jamais les mains ou les doigts sur l'extrémité avant du boîtier de cuisson.
- ⚠ En cas de feu de graisse, fermez le brûleur et maintenez le couvercle fermé jusqu'à la fin du feu.
- ⚠ N'élargissez pas l'orifice de la valve ou les ports du brûleur pendant le nettoyage de la valve ou du brûleur.
- ⚠ Le barbecue à gaz Weber® devrait être nettoyé à fond régulièrement.
- ⚠ Utilisez le régulateur fourni avec votre barbecue à gaz Weber®.
- ⚠ Le gaz propane n'est pas du gaz naturel. La conversion ou la tentative d'utilisation de gaz naturel dans un appareil à propane ou de gaz propane dans un appareil à gaz naturel est dangereuse et annulera votre garantie.
- ⚠ Ne tentez pas de déconnecter un raccord de gaz quel qu'il soit pendant l'utilisation de votre barbecue.
- ⚠ Utilisez des gants anti-chaaleur pour barbecue lorsque vous utilisez le barbecue.
- ⚠ Maintenez tout cordon d'alimentation électrique à l'écart de toute surface chauffée.
- ⚠ Les sous-produits de combustion émis lors de l'utilisation de ce produit contiennent des agents chimiques reconnus par l'état de Californie comme responsables de cancers, de malformations congénitales, ou d'autres troubles de la reproduction.
- ⚠ N'utilisez ce barbecue que si toutes les pièces sont en place. L'appareil doit être monté correctement conformément aux consignes de la section "Instructions pour le montage" du Mode d'emploi.
- ⚠ N'utilisez pas le grill Weber® Q™ dans un coffre de véhicule, dans un wagon ferroviaire, dans un mini-van, dans un véhicule utilitaire de sport (VUS) ou dans un véhicule de loisir (VL).
- ⚠ Ne tentez pas de déconnecter le régulateur de gaz ou tout raccord de gaz pendant l'utilisation de votre barbecue.
- ⚠ N'intégrez pas ce modèle de grill à n'importe quelle construction encastrée ou à glissière. Le non respect de cet Avertissement risque de provoquer un incendie ou une explosion susceptible de provoquer des dégâts matériels ainsi que des blessures graves voire un décès.
- ⚠ Proposition 65 Avertissement : Le fait de manipuler le matériau en laiton du produit vous expose au plomb, une matière qui selon l'Etat de Californie provoque des cancers, des pathologies congénitales ou d'autres pathologies similaires. (N'oubliez pas de vous laver les mains avant de manipuler ce produit.)
- ⚠ Si vous voyez, sentez ou entendez le sifflement du gaz s'échappant de la bouteille de propane :
 1. Eloignez-vous de la bouteille de propane.
 2. Ne tentez pas de corriger le problème par vous même.
 3. Appelez votre service incendie.

Pour toute question ou tout conseil concernant votre barbecue, ou son fonctionnement sécuritaire, veuillez communiquer avec notre service d'assistance téléphonique gratuit au **1-800-265-2150** et un expert Weber® Q™ s'occupera de vous. Nous sommes ouverts 24 heures sur 24, tous les jours de l'année sauf à Noël. Ou vous pouvez visiter notre site www.weber.com®.

Vous allez y trouver énormément de conseils utiles et de nombreuses recettes savoureuses.

Votre barbecue à gaz Weber® est un appareil de cuisson portable à usage extérieur. Le barbecue à gaz Weber® permet de griller, de rôti à la broche, de rôti et de cuire et donne des résultats qu'il est presque impossible d'égaliser avec d'autres appareils ménagers à usage intérieur. Le couvercle fermé donne un fumet à la nourriture.

Le barbecue à gaz Weber® est transportable, vous pouvez donc aisément le déplacer dans votre jardin ou sur votre patio. Portabilité signifie que vous pouvez le transporter avec vous lorsque vous vous déplacez. L'alimentation en gaz propane est d'utilisation plus facile que celle au charbon de bois et vous permet de mieux contrôler la cuisson.

- Ces instructions vous fournissent les renseignements primordiaux nécessaires au montage de votre barbecue à gaz Weber®. Veuillez lire les instructions soigneusement avant l'utilisation du barbecue à gaz Weber®. Tout montage incorrect peut s'avérer dangereux.
- Utilisation interdite aux enfants.
- Le cas échéant, conformez-vous aux règles locales s'appliquant aux barbecues à gaz portables. En cas d'absence de règles locales, conformez-vous au dernier code national relatif au gaz combustible: ANSI Z 223.1/NFPA54.
- Le détendeur de pression fourni avec le barbecue à gaz Weber® doit être utilisé. Ce détendeur est défini pour une colonne d'eau (pression) de 26 cm (10.5 po).
- Ce barbecue à gaz Weber® est conçu pour une utilisation exclusive au propane. Ne l'utilisez pas avec un gaz naturel (gaz de ville). Le robinet et le détendeur sont conçus pour un usage exclusif au propane.
- N'utilisez pas de charbon de bois.
- Ce barbecue à gaz Weber® n'est pas conçu pour une utilisation commerciale.

- L'ingestion d'alcool ou de médicaments de prescription ou non peut diminuer l'habileté de l'utilisateur à assembler l'appareil de façon correcte et sûre.
- Ce barbecue à gaz Weber® n'est pas conçu pour servir comme appareil de chauffage et ne devrait donc jamais être utilisé à cette fin.
- Ne laissez pas le barbecue à gaz Weber® sans surveillance. Ne laissez jamais les enfants et les animaux approcher du barbecue à gaz Weber®s.
- Assurez-vous que la section située sous le panneau de commande et le plateau inférieur est libre de tout débris qui pourrait gêner l'écoulement de l'air de combustion ou de ventilation.

Pour les installations au Canada: Ces instructions, généralement acceptées, ne sont pas nécessairement conformes aux codes d'installation canadiens, plus particulièrement en ce qui concerne la tuyauterie au-dessus et en dessous du sol. Au Canada, l'installation de cet appareil doit se conformer aux règles locales et au code d'installation standard de gaz naturel et de propane CAN/CGA-B149.1.

ENTREPOSAGE ET NON-UTILISATION

- Lorsque le barbecue à gaz Weber® n'est pas utilisé, la bouteille de propane doit être DÉBRANCHÉE et entreposée à l'extérieur dans un endroit bien ventilé. Placez les caches anti-poussière sur les sorties de la valve de la bouteille lorsque celle-ci est inutilisée.
- Vérifiez qu'il n'y a ni fuites de gaz ni obstructions dans les tubes des brûleurs avant d'utiliser le barbecue à gaz Weber®. (Voir les sections: "Entretien général et Entretien annuel.")
- Vérifiez également que les moustiquaires contre les araignées et les insectes ne sont pas obstruées. (Voir la section: "Entretien annuel.")

UTILISATION

- ⚠ **AVERTISSEMENT: Utilisez uniquement ce barbecue à l'extérieur dans un endroit bien ventilé. Ne l'utilisez pas dans un garage, un bâtiment, un passage recouvert ou dans n'importe quel endroit fermé.**
- ⚠ **AVERTISSEMENT: Votre grill à gaz Weber ne doit pas être utilisé au-dessous d'une structure à toit suspendu inflammable.**
- ⚠ **AVERTISSEMENT: Votre barbecue à gaz Weber® n'est pas conçu pour être installé dans ou sur des véhicules ou bateaux de plaisance.**
- ⚠ **AVERTISSEMENT: N'utilisez pas le grill à moins de 24 pouces de toute matière inflammable.**
- ⚠ **AVERTISSEMENT: La cuve devient entièrement brûlante en cours d'utilisation. Ne la laissez pas sans surveillance.**
- ⚠ **AVERTISSEMENT: Éloignez tout cordon d'alimentation électrique des surfaces chauffantes.**
- ⚠ **AVERTISSEMENT: Éloignez la zone de cuisson de tout liquide ou gaz inflammable tel que l'essence, l'alcool, etc., et de tout corps combustible.**

⚠ **AVERTISSEMENT: N'entreposez jamais une bouteille de propane supplémentaire (de rechange) sous ou à proximité du barbecue à gaz Weber®.**

⚠ **AVERTISSEMENT: Durant la cuisson, l'appareil doit reposer sur une surface stable et de niveau dans un endroit libre de tout matériau combustible. Une surface en asphalte (dessus noir) peut ne pas convenir à cette application.**

CUISSON

Mise en route: Consultez votre guide de grillade Q™ Cards.

Pour allumer le barbecue: consultez les instructions pour l'allumage contenues dans ce guide de l'utilisateur et imprimées sur les tables dépliantes (Q120, 200, 220) de votre barbecue.

Pour préchauffer le barbecue: allumez le Weber® Q™ conformément aux instructions pour l'allumage contenues dans ce guide de l'utilisateur. Fermez le couvercle et tournez la manette de réglage du brûleur sur la position Start/Hi (Allumage/Maximum). Préchauffez le barbecue pendant 5 à 10 minutes (selon les conditions météorologiques). Une fois le barbecue préchauffé, réglez la manette de réglage du brûleur sur le réglage spécifié dans la recette ou suggéré dans le guide de grillade Q™ Cards.

Remarque: les conditions météorologiques telles que le vent et la température peuvent exiger le réglage de manette pour obtenir les températures de cuisson adéquates.

Si le brûleur s'éteint en cours de cuisson, ouvrez le couvercle, fermez le brûleur et attendez 5 minutes avant de le rallumer.

Dégoulinades et graisse: L'excédent de dégoulinades et de graisse est recueilli par une lèchefrite se trouvant sous le plateau inférieur (situé sous le barbecue). Des contenants jetables pour lèchefrite sont disponibles.

⚠ **AVERTISSEMENT: vérifiez la lèchefrite et le dessous du barbecue avant chaque utilisation pour voir si de la graisse s'y est accumulée. Enlevez l'excédent de graisse pour éviter que celle-ci ne s'enflamme dans la partie inférieure du barbecue.**

⚠ **AVERTISSEMENT: ne déplacez pas le Weber® Q™ lorsqu'il est allumé ou encore chaud.**

NETTOYAGE

⚠ **AVERTISSEMENT: Éteignez votre barbecue à gaz Weber® et attendez qu'il refroidisse avant de le nettoyer.**

Pour toute disponibilité de grille de cuisson de remplacement, communiquez avec le représentant du service à la clientèle local dont les coordonnées figurent sur la fiche de renseignements fournie avec votre guide. Contactez à www.weber.com®.

Surfaces extérieures - Utilisez de l'eau savonneuse chaude pour le nettoyage, puis rincez avec de l'eau.

⚠ **MISE EN GARDE: N'utilisez pas de nettoyant à four, de détergents abrasifs (détergents pour cuisine), nettoyants contenant des produits d'agrumes, ou des tampons nettoyeurs abrasifs sur le barbecue ou les surfaces du chariot.**

Faites glisser vers l'extérieur le plateau inférieur - Retirez l'excédent de graisse, puis nettoyez avec de l'eau savonneuse chaude, puis rincez.

Grille de cuisson - Nettoyez avec une brosse à poils de laiton adéquate. Au besoin, retirez-la du barbecue et nettoyez-la avec de l'eau savonneuse, puis rincez-la avec de l'eau.

Lèchefrite - Des contenants jetables sont disponibles, ou vous pouvez garnir la lèchefrite avec du papier d'aluminium. Pour nettoyer la lèchefrite, utilisez de l'eau savonneuse chaude, puis rincez.

Intérieur de la cuve - Éliminez tous les débris se trouvant dans les tubes des brûleurs. N'ÉLARGISSEZ PAS LES TÊTES DE BRÛLEUR (OUVERTURES). Nettoyez l'intérieur de la cuve avec de l'eau savonneuse chaude puis rincez à l'eau.

Intérieur du couvercle - Tant que le couvercle est chaud, essuyez l'intérieur avec un essuie-tout pour éviter toute accumulation de graisse. L'accumulation de graisse floconneuse ressemble à des flocons peints.

Dépliez les tables de travail - Nettoyez avec un chiffon doux et de l'eau savonneuse (Q120, 200, 220).

N'utilisez pas de nettoyants qui contiennent de l'acide, des essences minérales ou du xylène. Rincez soigneusement après nettoyage.

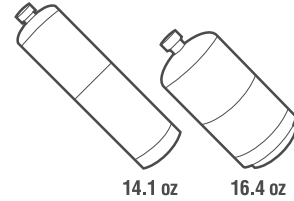
Les tables de travail dépliantes ne doivent pas servir de planches à découper.

FIXATION DE LA BOUTEILLE DE PROPANE

Utilisez des bouteilles de propane d'une capacité de 14,1 oz ou 16,4 oz. Vous pouvez trouver ces bouteilles dans la section matériel de camping, quincaillerie, plomberie du magasin où vous effectuez vos achats.

⚠ MISE EN GARDE: N'utilisez que des bouteilles portant la mention "Gaz propane"

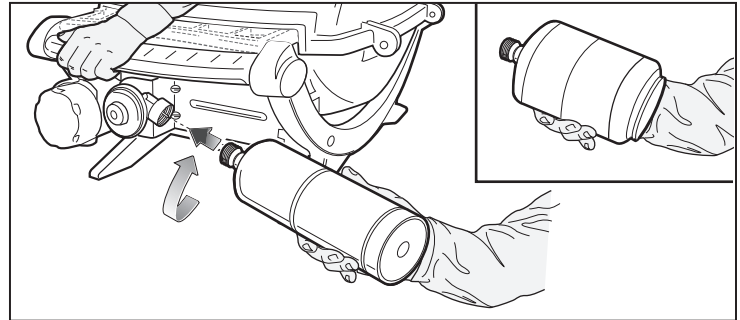
Remarque : Votre Grill à gaz Weber® est équipé d'un dispositif d'alimentation par bouteille de gaz conçu pour l'élimination de la vapeur.



14.1 oz 16.4 oz

⚠ DANGER
Ne vous servez pas d'une flamme nue pour rechercher des fuites de gaz. Assurez-vous qu'aucune source d'étincelles ni de flammes nues ne se trouve à l'endroit où vous procédez à cette opération pour éviter tout risque d'incendie ou d'explosion susceptible d'entraîner des blessures graves, voire mortelles, ou des dégâts matériels.

⚠ DANGER
Ne pas entreposer une bouteille de propane de remplacement sous cet appareil ou à proximité. Ne jamais remplir la bouteille à plus de 80% de sa capacité. Si vous ne suivez pas de façon précise les instructions, il peut en résulter un feu qui pourrait causer de graves blessures et même la mort.



En soulevant la bouteille, tenez la poignée la plus proche de la bouteille de gaz d'une main, enfoncez la bouteille de propane dans le régulateur et tournez dans le sens des aiguilles d'une montre jusqu'à ce que cela soit serré.

⚠ AVERTISSEMENT: N'utilisez pas de clé pour serrer le raccordement. L'utilisation d'une clé risque d'endommager le raccord du détendeur et d'entraîner une fuite.

DÉTECTION DES FUITES DE GAZ

Après une période de non-utilisation, nous vous recommandons d'effectuer les procédures d'entretien suivantes pour votre sécurité.

- Vérifiez que la configuration de flamme du brûleur est normale. Nettoyez, si nécessaire, en suivant les procédures décrites dans la section "Entretien général" de ce guide.
- Vérifiez l'étanchéité de tous les raccords de gaz.

⚠ AVERTISSEMENT: il convient de rechercher les fuites de gaz lors de chaque débranchement et rebranchement d'un raccord de gaz.

Il vous faut: de l'eau savonneuse et un chiffon ou une brosse pour l'appliquer. Pour détecter toute fuite de gaz : assurez-vous que le brûleur est sur la position fermée. Ouvrez le robinet d'alimentation en gaz.

⚠ AVERTISSEMENT: n'allumez pas le brûleur quand vous recherchez toute fuite de gaz.

Recherchez les fuites en mouillant les raccords avec de l'eau savonneuse et en surveillant l'apparition de bulles. Si des bulles se forment ou si une bulle présente sur un raccord grossit, cela signifie qu'il y a une fuite. Remarque: Dans la mesure où certaines solutions utilisées pour le contrôle de l'étanchéité, y compris l'eau savonneuse, peuvent être légèrement corrosives, il convient de rincer tous les raccords à l'eau après un tel contrôle.

Vérifiez:

1) Le raccordement du détendeur à la bouteille de propane.

⚠ AVERTISSEMENT: En cas de fuite au niveau du raccordement (1), retirez la bouteille de propane. Ne vous servez pas du barbecue. Utilisez une autre bouteille de propane et vérifiez à nouveau s'il y a une fuite avec de l'eau savonneuse. Si la fuite persiste après resserrage du raccord de la bouteille de propane, COUPEZ l'alimentation en gaz. NE VOUS SERVEZ PAS DU BARBECUE. Contacter le représentant du Service à la clientèle de votre région figurant dans la page de contacts sur notre site web. Aller sur www.weber.com®.

Vérifiez:

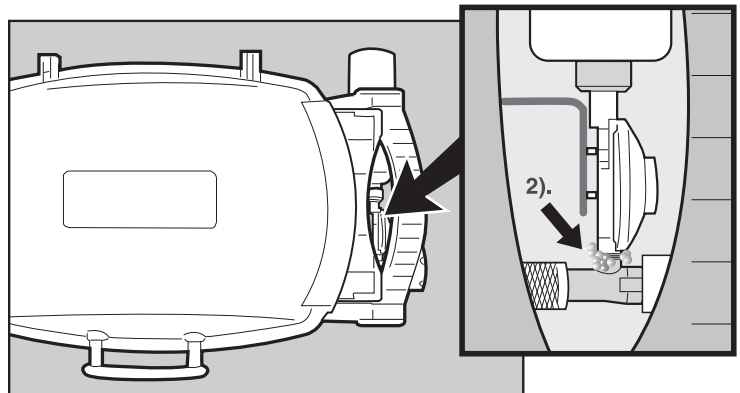
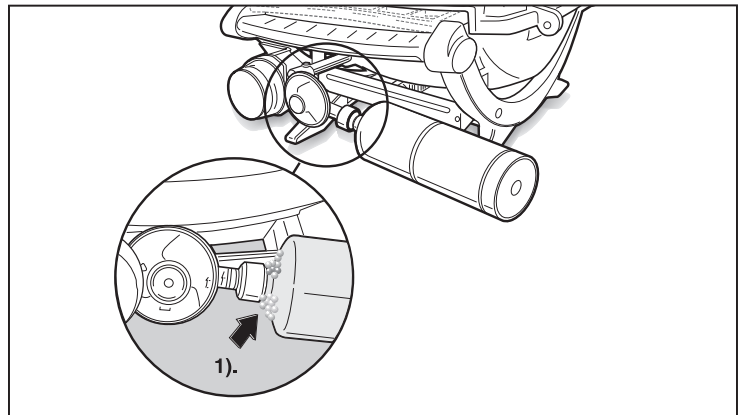
2) Les raccordements du robinet au détendeur.

⚠ AVERTISSEMENT: en cas de fuite au niveau du raccordement (2), COUPEZ l'alimentation en gaz. Ne vous servez pas du barbecue. Contacter le représentant du Service à la clientèle de votre région figurant dans la page de contacts sur notre site web. Aller sur www.weber.com®.

Une fois la détection des fuites terminée, COUPEZ l'alimentation en gaz à la source et rincez les raccords à l'eau.

Remarque - L'étanchéité de tous les raccords usinés a été soigneusement vérifiée. Les brûleurs ont tous été soumis à un essai à la flamme. Toutefois, par mesure de sécurité, il est préférable de vérifier à nouveau l'étanchéité de tous les raccords avant l'utilisation de votre barbecue à gaz Weber®. Il se peut qu'un raccord de gaz ait été desserré ou endommagé lors de son expédition et de sa manipulation.

⚠ AVERTISSEMENT: Recherchez toute fuite de gaz même si votre barbecue a été assemblé par le revendeur ou en magasin.



ALLUMAGE

Un résumé des instructions pour l'allumage se trouve sur le plan de travail dépliant.

- 1) Ouvrez le couvercle.
- 2) Dépliez les plans de travail (Q120, 200, 220).
- 3) Assurez-vous que la manette de réglage est en position OFF (fermée). (Enfoncez et tournez la manette de réglage vers la droite pour vous assurer qu'elle est bien en position OFF (fermée)).

⚠ AVERTISSEMENT: ne vous penchez pas au-dessus du barbecue ouvert. N'approchez pas votre visage ni le reste de votre corps à moins de 30 centimètres (12 po) du trou d'allumage par allumette quand vous mettez le barbecue en marche.

- 4) Enfoncez la manette de réglage du brûleur et tournez-la sur START/Hi (Allumage/Maximum).
- 5a) Push the red ignition button several times, so it clicks each time (Q100, 200).
- 5b) Enfoncez le bouton d'allumage électronique plusieurs fois, vous entendrez les étincelles (Q120, 220).
- 6) Vérifiez que le brûleur est allumé en regardant à travers la grille de cuisson. Vous devez apercevoir une flamme.

⚠ AVERTISSEMENT : Si le brûleur ne s'allume pas, tournez la manette de réglage en position OFF (fermée) et attendez 5 minutes pour permettre au gaz de se dissiper avant de réessayer ou d'allumer le brûleur avec une allumette.

Extinction: Enfoncez et tournez la manette de réglage du brûleur vers la droite sur la position OFF (fermée).

⚠ ATTENTION: ne procédez pas au pliage des tables tant que le barbecue est chaud (Q120, 200, 220).

ALLUMAGE MANUEL

- 1) Ouvrez le couvercle.
- 2) Dépliez les plans de travail (Q120, 200, 220).
- 3) Assurez-vous que la manette de réglage du brûleur est en position OFF (fermée).

⚠ AVERTISSEMENT: ne vous penchez pas au-dessus du barbecue ouvert. N'approchez pas votre visage ni le reste de votre corps à moins de 30 centimètres (12 po) du trou d'allumage par allumette quand vous mettez le barbecue en marche.

- 4) Craquez une allumette et introduisez la flamme dans le trou d'allumage sous l'allumeur.
- 5) Enfoncez la manette de réglage du brûleur et tournez-la sur START/Hi (Allumage/Maximum).
- 6) Vérifiez que le brûleur est allumé en regardant à travers la grille de cuisson. Vous devez apercevoir une flamme.

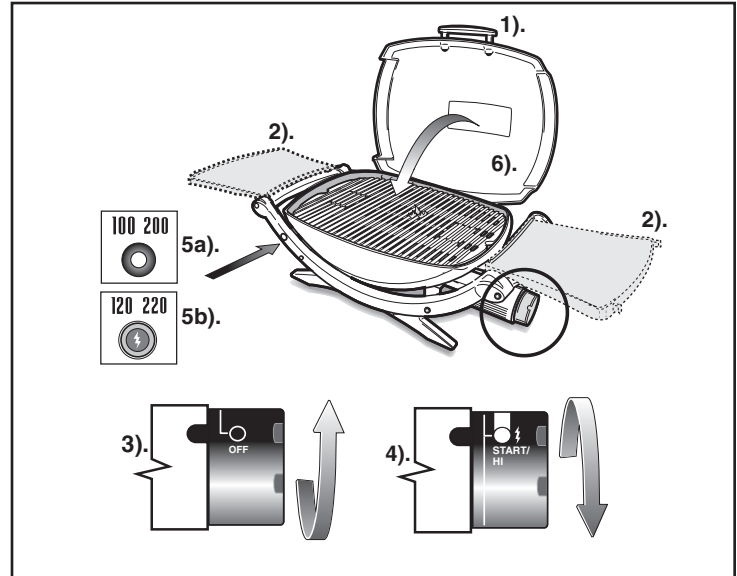
⚠ AVERTISSEMENT: Si le brûleur ne s'allume pas, tournez la manette de réglage en position OFF (fermée) et attendez 5 minutes pour permettre au gaz de se dissiper avant de réessayer ou d'allumer le brûleur avec une allumette.

Extinction: Enfoncez et tournez la manette de réglage du brûleur vers la droite sur la position OFF (fermée).

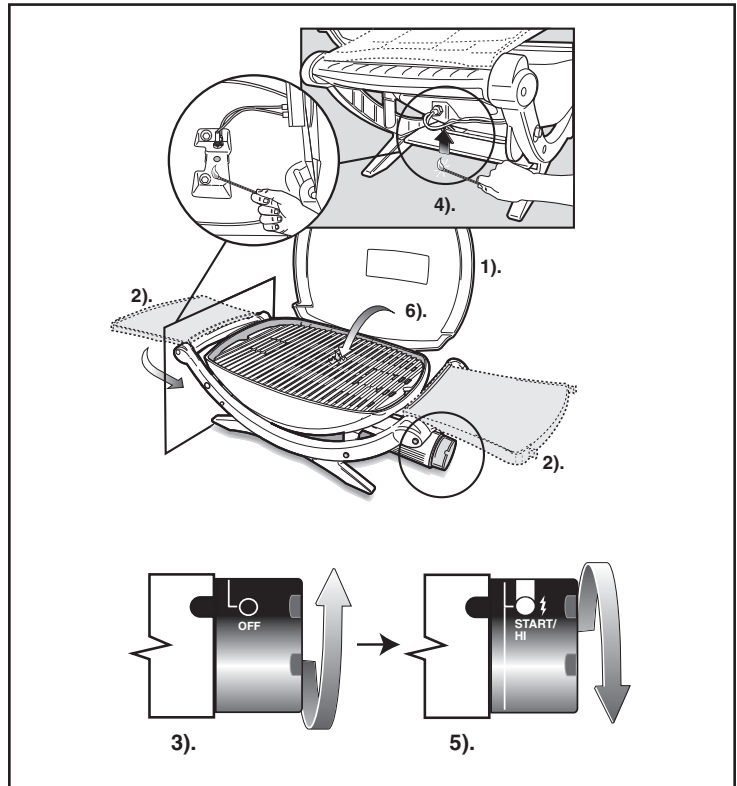
⚠ ATTENTION: ne procédez pas au pliage des tables tant que le barbecue est chaud (Q120, 200, 220).

⚠ DANGER

Le fait de ne pas ouvrir le couvercle lors de l'allumage des brûleurs du barbecue ou de ne pas attendre 5 minutes pour laisser le gaz se dissiper si le barbecue ne s'allume pas risque de provoquer une flambée soudaine explosive pouvant entraîner des blessures graves, voire mortelles.

**⚠ DANGER**

Le fait de ne pas ouvrir le couvercle lors de l'allumage des brûleurs du barbecue ou de ne pas attendre 5 minutes pour laisser le gaz se dissiper si le barbecue ne s'allume pas risque de provoquer une flambée soudaine explosive pouvant entraîner des blessures graves, voire mortelles.



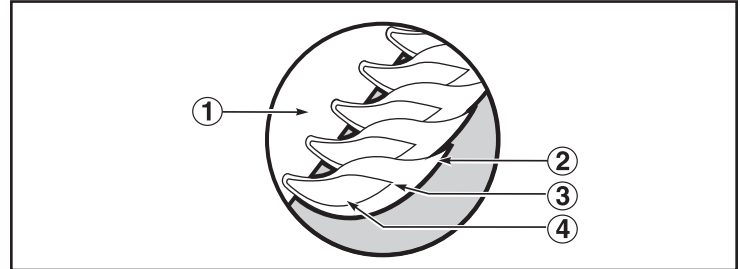
ENTRETIEN ANNUEL

INSPECTION ET NETTOYAGE DE LA MOUSTIQUAIRE CONTRE LES ARAIGNÉES ET LES INSECTES

Pour inspecter la moustiquaire contre les araignées et les insectes, retirez le support du bouton de commande. Si la moustiquaire contre les araignées et les insectes est recouverte de poussière ou de saleté, nettoyez-la après avoir retiré le brûleur. Nettoyez doucement la moustiquaire contre les araignées et les insectes avec une brosse à poils doux (par ex. une brosse à dents usagée).

⚠ MISE EN GARDE: Ne nettoyez pas la moustiquaire contre les araignées et les insectes avec des outils durs ou tranchants. Ne délogez pas la moustiquaire contre les araignées et les insectes et n'élargissez pas ses ouvertures.

Tapotez doucement sur le brûleur pour extraire les débris et la saleté de son tube. Une fois que la moustiquaire contre les araignées et les insectes et le brûleur sont propres, remettez le brûleur en place. Si la moustiquaire contre les araignées et les insectes est endommagée et ne peut pas être nettoyée, contactez le service à la clientèle de Weber-Stephen Products pour commander les pièces de rechange.



CONFIGURATION DE FLAMME DES BRÛLEURS PRINCIPAUX

Le mélange air-gaz correct du brûleur du barbecue à gaz Weber® a été réglé en usine. La configuration de flamme correcte est montrée.

- 1) Tube de brûleur
- 2) Pointes occasionnellement de couleur jaune scintillant
- 3) Bleu clair
- 4) Bleu foncé

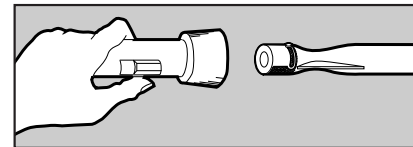
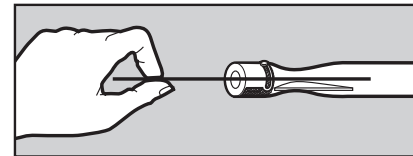
Si les flammes ne semblent pas uniformes partout dans le tube de brûleur, suivez les procédures de nettoyage du brûleur.

PROCÉDURE DE NETTOYAGE DES BRÛLEURS PRINCIPAUX

Fermez l'alimentation en gaz. Retirez le brûleur. (Voir Remplacement de tube de brûleur.) Regardez à l'intérieur du brûleur avec une lampe de poche. Nettoyez l'intérieur du brûleur avec un fil (un cintre redressé fera l'affaire).

Vérifiez et nettoyez l'ouverture de l'obturateur d'air aux extrémités du brûleur. Vérifiez et nettoyez l'orifice du robinet à la base du robinet. Utilisez une brosse à poils d'acier pour nettoyer l'extérieur du brûleur. Ceci afin de s'assurer que toutes les têtes de brûleur sont complètement ouvertes.

⚠ MISE EN GARDE: N'élargissez pas les têtes de brûleur lors du nettoyage.

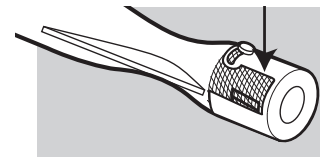
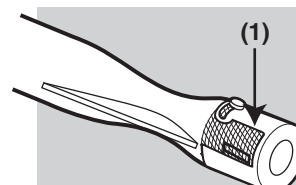


MOUSTIQUAIRES CONTRE LES ARAIGNÉES ET LES MOUSTIQUES WEBER®

Votre barbecue à gaz Weber®, comme tous les appareils utilisés en extérieur, représente une cible de choix pour les araignées et autres insectes. Ceux-ci peuvent se nicher dans la section à venturi (1) de tube de brûleur. Cela bloque la circulation normale du gaz qui risque alors d'être refoulé par l'obturateur d'air. Cela risque de générer un incendie à l'intérieur et autour de l'obturateur d'air, endommageant gravement votre barbecue. L'obturateur d'air des tubes de brûleurs est muni d'un tamis en acier inoxydable (1) pour empêcher les araignées et autres insectes d'accéder à aux tubes de brûleur par les ouvertures de volet d'air.

Nous vous recommandons d'inspecter la moustiquaire contre les araignées et les insectes au moins une fois par an. (Voir la section "Entretien annuel!") Vérifiez et nettoyez également la moustiquaire contre les araignées et les insectes si l'un des symptômes suivants se manifeste:

- 1) Une odeur de gaz se répand alors que la flamme des brûleurs est jaune et s'affaiblit.
- 2) Le barbecue n'atteint pas la température de cuisson.
- 3) Le barbecue chauffe de façon inégale.
- 4) Le brûleur n'allume pas.



⚠ DANGER

Si les problèmes mentionnés ci-dessus ne sont pas résolus, un incendie susceptible d'occasionner des blessures graves, voire mortelles, ou de provoquer des dégâts matériels risque de se produire.

⚠ ATTENTION : Ce produit a fait l'objet de tests de sécurité et est certifié pour une utilisation dans un pays particulier uniquement. Vérifiez la désignation de pays située sur le carton d'emballage.

Ces pièces peuvent contenir du gaz ou être des éléments dont la combustion produit du gaz. Veuillez consulter le Service clientèle de Weber-Stephen Products Co. pour des renseignements sur les pièces de rechange originales de Weber-Stephen Products Co.

⚠ MISE EN GARDE : Ne tentez pas d'effectuer des réparations sur des éléments contenant du gaz ou sur des éléments dont la combustion produit du gaz sans contacter le service clientèle de Weber-Stephen Products Co.. Si vous ne suivez pas la présente Mise en garde relative au produit, vos actions risquent de provoquer un incendie ou une explosion entraînant des blessures physiques graves voire un décès ainsi que des dégâts matériels.

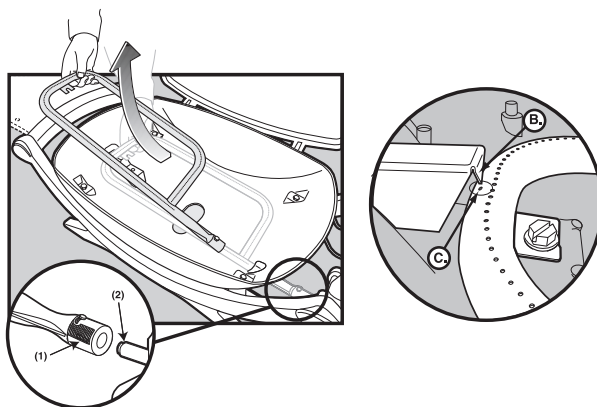
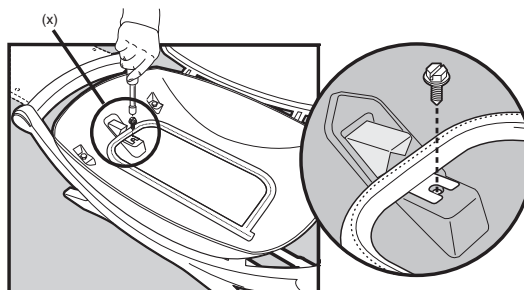
REPLACEMENT DE TUBE DE BRÛLEUR

- 1) Votre barbecue Weber® Q™ doit être ÉTEINT et froid.
- 2) Dévissez et retirez la bouteille de propane de l'ensemble robinet/détendeur.
- 3) Ouvrez le couvercle.
- 4) Retirez la grille de cuisson.
- 5) Retirez la vis de 1/4 X 20 pouce qui maintient le tube du brûleur contre le boîtier de cuisson (x).
- 6) Faites glisser délicatement vers l'arrière le tube de brûleur de la cuve.

⚠ ATTENTION: les ouvertures du brûleur (1) doivent être positionnées correctement au-dessus des ouvertures de la soupape (2).

- 7) Pour remettre les brûleurs en place, suivre les étapes 5 à 7 dans l'ordre inverse.

Vérifiez que l'orifice du port de l'allumeur (B) est aligné avec la languette comportant une flèche (C) située sur le boîtier d'allumage.

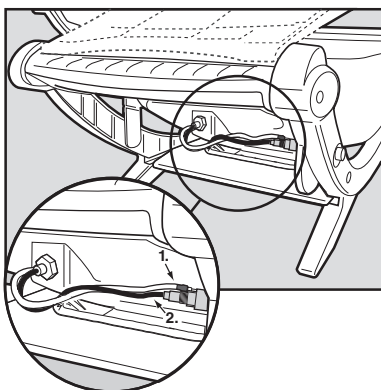


FONCTIONNEMENT DU SYSTÈME D'ALLUMAGE (Q100, 200)

En cas d'échec d'allumage du brûleur par le système d'allumage, allumez-le avec une allumette. Si le brûleur s'allume au moyen d'une allumette, vérifiez alors le système d'allumage.

- Vérifiez que les deux fils blanc (1) et noir (2) sont correctement attachés.
- Vérifiez que le bouton d'allumage enfonce le bouton d'allumeur, puis qu'il retourne sur la position sortie.

Contactez le Représentant de Service de Client dans votre domaine en utilisant l'information de contact sur notre site web. Abonnez-vous www.weber.com.



UTILISATION DU SYSTÈME D'ALLUMAGE ÉLECTRONIQUE (Q120, 220)

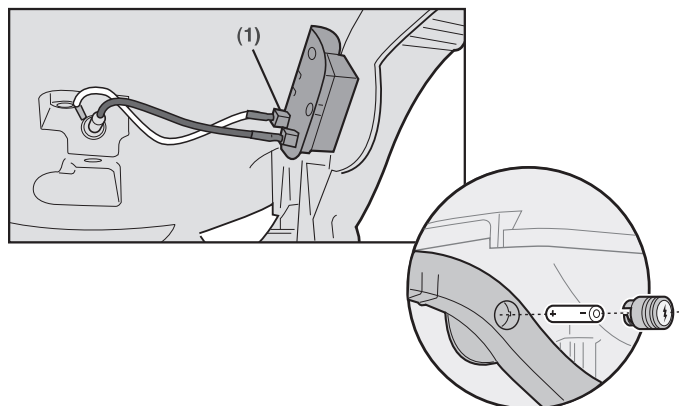
Si le système d'allumage électronique ne parvient pas à allumer le brûleur, allumez le brûleur avec une allumette. Si le brûleur s'allume avec une allumette, vérifiez ensuite le système d'allumage électronique.

- Vérifiez que les deux câbles d'allumage sont correctement fixés aux électrodes de l'allumeur (1) sur le module d'allumage.
- Vérifiez que le bouton d'allumage électronique fonctionne en effectuant un contrôle auditif et visuel des étincelles au niveau du brûleur.

REPLACEZ LA PILE SI NECESSAIRE

Pile alcaline AAA uniquement. Voir l'illustration:

Si le système d'allumage électronique ne parvient pas à allumer le brûleur externe, contactez le Représentant du service clientèle le plus proche grâce aux coordonnées à votre disposition sur notre site Internet. Connectez-vous sur www.weber.com.



PROBLEM	CHECK	CURE
Burners burn with a yellow or orange flame, in conjunction with the smell of gas.	Inspect Weber® Insect/Spider screen for possible obstructions. (Blockage of holes.)	Clean Weber® Insect / Spider screen. (See Section "Annual Maintenance")
Burner does not light, or flame is low in HIGH position.	Is LP cylinder fuel low or empty? Does the burner light with a match?	Replace propane cylinder. If you can light the burner with a match, then check the ignition system.
Experiencing flare-ups: ⚠ CAUTION: Do not line the bottom tray with aluminum foil.	Are you preheating grill in the prescribed manner? Is the cooking grate heavily coated with burned-on grease?	Burner on high for 10 minutes for preheating. Clean thoroughly. (See Section "Cleaning") Clean bottom tray.
Burner flame pattern is erratic. Flame is low when burner is on HIGH. Flames do not run the whole length of the burner tube.	Is the bottom tray "dirty" and not allowing grease to flow into catch pan? Is the burner clean?	Clean burner. (See Section "Annual Maintenance.")
Inside of lid appears to be "peeling." (Resembles paint peeling.)	The lid is cast aluminum, not paint. It cannot "peel." What you are seeing is baked on grease that has turned to carbon and is flaking off. THIS IS NOT A DEFECT.	Clean thoroughly. (See Section "Cleaning")
Burner does not light when igniter button is pushed.	Is burner tube positioned too far away from the igniter box?	Check that the burner tube is positioned correctly over the ignition box. (See Maintenance - "Replacing the Burner Tube")
Burner flame does not ignite completely around the burner tube.	Are the burner ports clean and fully open?	Clean burner. (See Section "Annual Maintenance.") Use a small paper clip to unclog any dirty ports.

If problems cannot be corrected by using these methods, please contact the Customer Service Representative in your region using the contact information on our web site. Log onto www.weber.com®.

PROBLEMA	COMPROBAR	SOLUCIÓN
Los quemadores tienen una llama amarilla o naranja, conjuntamente con un olor a gas.	Revise que no haya obstrucciones en la malla contra arañas y demás insectos. (Taponamiento de orificios.)	Limpie el filtro contra insectos y arañas de Weber®. (Consulte la Sección "Mantenimiento anual")
El quemador no se enciende, o la llama es baja en la posición HIGH.	¿El cilindro de combustible propano está bajo o vacío? ¿Se enciende el quemador de lantero con un fósforo?	Reemplace el cilindro de propano Si puede encender el quemador con un fósforo, entonces revise el sistema de encendido.
Se producen llamaradas. ⚠ PRECAUCIÓN: No recubra la bandeja del fondo con papel de aluminio.	¿Está precalentando la barbacoa tal como se prescribe? ¿Se reviste pesadamente la parrilla que cocina con quemó en la grasa?	Ponga todos los quemadores en HIGH de 10 minutos para precalentar la barbacoa. Limpielas a fondo. (Consulte la sección de Limpieza).
El aspecto de la llama del quemador es errático. La llama es baja cuando el quemador está en HIGH. Las llamas no se extienden por toda la longitud del tubo del quemador.	¿La bandeja inferior está "sucía" y no permite que la grasa fluya en el recipiente recibidor? Está limpio el quemador?	Limpie la bandeja del fondo. Limpie el quemador. (Consulte la Sección "Mantenimiento anual")
Parece que el interior de la tapa se está "pelando". (Parece como si fuera pintura pelándose).	La tapa es de aluminio fundido, no pintura. No se puede "pelar". Lo que usted ve está horneado en grasa que se ha vuelto carbón y ahora se descascara. ESTO NO ES UN DEFECTO.	Límpiela a fondo. (Consulte la sección de Limpieza).
El quemador no se enciende cuando se pulsa el botón de encendido	¿Está el tubo quemador demasiado lejos del cajetín del encendedor?	Verifique que el tubo quemador está correctamente posicionado sobre el cajetín del encendedor. (Vea bajo Mantenimiento "Cómo reemplazar el tubo quemador")
La llama del quemador no se enciende del todo alrededor del tubo quemador.	¿Están limpios y totalmente abiertos los orificios del quemador?	Limpie el quemador (Vea la sección: "Mantenimiento anual") Use un pequeño clip para destapar cualquier orificio sucio.

Si los problemas no pueden corregirse usando cualquiera de estos métodos, por favor contacte al Representante de Atención al Cliente en su área usando la información de contacto en nuestro sitio web. Conéctese a www.weber.com®.

PROBLÈME	VÉRIFICATION	CURE
Les brûleurs produisent une flamme jaune ou orange et il se dégage une odeur de gaz.	Inspecter les écrans pare-araignées/ insectes Weber® pour déceler les obstructions possibles. (Blocage des orifices.)	Nettoyez la moustiquaire contre les araignées et les insectes Weber®. (Voir la section "Entretien annuel")
Le brûleur ne s'allume pas, ou la flamme est basse en position HIGH (maximum).	Est-ce que la bouteille de propane est presque vide ou vide? Le brûleur avant s'allume-t-il avec une allumette?	Remplacez la bouteille de propane. En cas d'allumage du brûleur avec une allumette, vérifiez le système d'allumage.
Des flambées soudaines se produisent: ⚠ ATTENTION: Ne garnissez pas le plateau inférieur d'une feuille d'aluminium.	Préchauffez-vous le barbecue à gaz de la manière prescrite? La grille cuisinant est lourdement revêtue avec la graisse de brûlé sur?	Pour le réchauffage, les trois brûleurs doivent être sur HIGH (maximum) pendant 10 minutes. Nettoyez-les à fond. (Voir la section «Nettoyage».)
Les flammes des brûleurs sont irrégulières. Les flammes sont basses alors que le brûleur est réglé sur HIGH (maximum). Les flammes n'apparaissent pas sur toute la longueur du tube de brûleur.	Est-ce que le plateau inférieur est sale ne permettant plus à la graisse de s'écouler dans la lèchefrite? Est-ce que le brûleur est propre?	Nettoyez le plateau inférieur. Nettoyez le brûleur. (Voir la section "Entretien annuel")
L'intérieur du couvercle paraît «s'écailler». (Cela ressemble à un écaillage de peinture.)	Le couvercle est en aluminium moulé, non peint. Il ne peut pas "filtrer". Ce que vous voyez est cuit sur la graisse carbonisée et se fragmente. CE N'EST PAS UN DÉFAUT.	(Voir la section «Nettoyage».)
Le brûleur ne s'allume pas quand vous enfoncez le bouton d'allumage.	Le brûleur est-il placé trop loin du boîtier de l'allumeur?	Vérifiez que le tube du brûleur est bien placé sur le boîtier d'allumage. (Voir Maintenance - "Remplacement du tube du brûleur")
La flamme du brûleur ne s'allume pas totalement autour du tube du brûleur.	Les ports du brûleur sont-ils dégagés et totalement ouverts?	Nettoyez le brûleur. (voir la Section "Maintenance annuelle") Débouchez les ports obstrués avec un petit trombone.

Si les problèmes ne peuvent pas être corrigés en utilisant ces méthodes, veuillez contacter le Représentant du service clientèle de votre région à l'aide des coordonnées disponibles sur notre site Internet. Connectez-vous sur www.weber.com®.

WARRANTY

GARANTÍA

GARANTIE

Weber-Stephen Products Co. (Weber) hereby warrants to the ORIGINAL PURCHASER of this Weber® gas grill that it will be free of defects in material and workmanship from the date of purchase as follows:

Aluminum Castings	5 year, 2 years paint excluding fading or discoloration
Thermoplastic/Thermoset Parts	5 years excluding fading
All Remaining Parts	2 years
Stationary Cart	2 years

Weber® may require reasonable proof of your date of purchase. THEREFORE, YOU SHOULD RETAIN YOUR SALES SLIP OR INVOICE.

This Limited Warranty shall be limited to the repair or replacement of parts that prove defective under normal use and service and which on examination shall indicate, to Weber®'s satisfaction, they are defective. Before returning any parts, contact the Customer service representative in your region using the contact information sheet provided with your manual. If Weber® confirms the defect and approves the claim, Weber® will elect to replace such parts without charge. If you are required to return defective parts, transportation charges must be prepaid. Weber® will return parts to the purchaser, freight or postage prepaid.

This Limited Warranty does not cover any failures or operating difficulties due to accident, abuse, misuse, alteration, misapplication, vandalism, improper installation or improper maintenance or service, or failure to perform normal and routine maintenance, including but not limited to damage caused by insects within the burner tubes, as set out in this owner's manual.

Deterioration or damage due to severe weather conditions such as hail, hurricanes, earthquakes or tornadoes, discoloration due to exposure to chemicals either directly or in the atmosphere, is not covered by this Limited Warranty.

There are no other express warrants except as set forth herein and any applicable implied warranties of merchantability and fitness are limited in duration to the period of coverage of this express written Limited Warranty. Some regions do not allow limitation on how long an implied warranty lasts, so this limitation may not apply to you.

Weber® is not liable for any special, indirect or consequential damages. Some regions do not allow the exclusion or limitation of incidental or consequential damages, so this limitation or exclusion may not apply to you.

Weber® does not authorize any person or company to assume for it any other obligation or liability in connection with the sale, installation, use, removal, return, or replacement of its equipment; and no such representations are binding on Weber®.

This Warranty applies only to products sold at retail.

In order to validate your warranty please register your grill online at www.weber.com

WEBER-STEPHEN PRODUCTS CO.
Customer Service Center
1890 Roselle Road, Suite 308
Schaumburg, IL, USA 60195
www.weber.com

Weber-Stephen Products Co., (Weber) por este medio garantiza al COMPRADOR ORIGINAL de esta parrilla a gas Weber® que la misma estará libre de defectos en el material y en la mano de obra desde la fecha de la compra, así:

Piezas coladas de aluminio	5 años, la pintura 2 años excluyendo la pérdida de intensidad o decoloración
Partes termoplásticas/ o termocuradas	5 años excepto por decoloración
Todas las demás partes	2 años
Carro estacionario	2 años

Weber® puede solicitar una prueba razonable de la fecha de su compra. POR LO TANTO, USTED DEBE CONSERVAR SU RECIBO DE LA VENTA O FACTURA.

Esta Garantía limitada se limitará a la reparación o reemplazo de partes que se pruebe que estén defectuosas en circunstancias normales de uso y servicio, y que de acuerdo con el examen indiquen, a satisfacción de Weber®, que tienen defecto. Antes de devolver cualquier parte, comuníquese con el Representante de Servicio al cliente de su región, por medio de la hoja de información de contacto que se proporciona con este manual. Si Weber® confirma el defecto y aprueba el reclamo, Weber® elegirá reemplazar dichas partes sin costo alguno. Si se le solicita devolver partes defectuosas, los costos por transporte se pagarán por anticipado. Weber® devolverá las partes al comprador por medio de flete o franco de porte pagado previamente.

Esta Garantía limitada no cubre ningún desperfecto o dificultades de operación debido a accidentes, abuso, mal uso, alteración, aplicación inadecuada, vandalismo, instalación inadecuada o mantenimiento o servicio inadecuados, o errores al realizar el mantenimiento normal y de rutina, incluyendo, sin limitación alguna, daños ocasionados por insectos dentro de los tubos del quemador, como se explica en este Manual del propietario.

El deterioro o daño debido a condiciones extremas de clima tales como granizo, huracanes, terremotos o tornados, decoloración debido a la exposición a químicos ya sea directamente o en la atmósfera, no los cubre esta Garantía limitada.

No existen otras garantías expresas además de las establecidas aquí, y cualquier garantía aplicable implícita de comerciabilidad y conveniencia se limita a la duración del periodo de cobertura de esta Garantía limitada expresa por escrito. Algunas regiones no permiten la limitación sobre la duración de una garantía implícita, de manera que esta limitación no es aplicable para usted.

Weber® no se responsabiliza por cualquier daño especial, indirecto o consecuente. Algunas regiones no permiten la exclusión o limitación de daños incidentales o consecuentes, de manera que esta limitación o exclusión no es aplicable para usted.

Weber® no autoriza a ninguna persona o empresa a asumir en su nombre cualquier otra obligación o responsabilidad relacionada con la venta, instalación, uso, retiro, devolución o reemplazo de este equipo, y las mismas no representan ninguna obligación para Weber®.

Esta garantía aplica únicamente a productos vendidos al detalle.

Para poder validar su garantía por favor registre su asador en línea visitando www.weber.com

WEBER-STEPHEN PRODUCTS CO.
Customer Service Center
1890 Roselle Road, Suite 308
Schaumburg, IL, USA 60195
www.weber.com

Weber-Stephen Products Co. (ci-après Weber®) garantit par le présent document à l'ACQUÉREUR ORIGINAL de ce barbecue à gaz Weber® que ce dernier ne comporte aucun vice de matériaux et de fabrication à compter de la date d'achat dans les conditions ci-dessous:

Roues en aluminium	5 ans, 2 ans pour la peinture sauf décoloration
Thermoplastique/ Pièces thermoformées	5 ans sauf décoloration
Toutes les autres pièces	2 ans
Chariot stationnaire	2 ans

Weber® peut exiger une juste preuve de la date d'achat. VOUS DEVEZ DONC CONSERVER VOTRE REÇU DE CAISSE OU FACTURE.

Cette garantie limitée se limite à la réparation ou au remplacement de pièces qui s'avèrent défectueuses dans les conditions normales de fonctionnement et d'entretien et qui, après examen, doivent indiquer, à la discrétion de Weber®, qu'elles sont effectivement défectueuses. Avant de renvoyer des pièces, contactez le représentant du service à la clientèle local dont les coordonnées figurent sur la fiche de renseignements fournie avec votre guide. Si Weber® confirme le défaut et approuve la réclamation, Weber® choisira de remplacer ces pièces sans frais. Si vous devez renvoyer des pièces défectueuses, les frais de transport doivent être payés d'avance. Weber® renverra les pièces à l'acquéreur, fret et port prépayés.

Cette garantie limitée ne couvre pas les défauts ou problèmes de fonctionnement consécutifs à un(e) accident, abus, mauvaise utilisation, altération, mauvaise application, vandalisme, installation incorrecte ou entretien ou service incorrect, ou au non-respect de la procédure d'entretien normale et périodique, y compris mais sans s'y limiter les dégâts entraînés par la présence d'insectes dans les tubes des brûleurs, comme défini dans ce guide de l'utilisateur.

Toute détérioration ou tout endommagement résultant de mauvaises conditions atmosphériques telles que la grêle, les ouragans, tremblements de terre ou tornades, et toute décoloration consécutive à une exposition directe ou atmosphérique à des produits chimiques, ne sont pas couverts par cette garantie limitée.

Il n'existe aucune autre garantie expresse à l'exception de la présente et toute garantie implicite applicable de qualité marchande et d'aptitude se limite à la période de validité de la présente garantie limitée expresse écrite. Certaines régions n'autorisent aucune limitation de la durée de validité d'une garantie implicite, il est donc possible que cette limitation ne s'applique pas à votre cas.

Weber® ne peut en aucun cas être tenu pour responsable des dommages particuliers, indirects ou accessoires. Certaines régions n'autorisent pas l'exclusion ou la limitation des dommages accessoires ou indirects, il est donc possible que cette limitation ou exclusion ne s'applique pas à votre cas.

Weber® n'autorise aucune personne ou société à assumer en son nom d'autres obligations ou responsabilités relatives à la vente, l'installation, l'utilisation, le retrait, le renvoi ou le remplacement de son équipement, et aucune représentation de ce type n'a de caractère exécutoire envers Weber®.

Cette garantie s'applique uniquement aux produits vendus au détail.

Afin de valider votre garantie, veuillez enregistrer votre grill en ligne sur www.weber.com

WEBER-STEPHEN PRODUCTS CO.
www.weber.com



WEBER-STEPHEN PRODUCTS CO.
www.weber.com[®]

©2008 The following trademarks are registered in the name of Weber-Stephen Products Co., an Illinois corporation, located at 200 East Daniels Road, Palatine, Illinois 60067 U.S.A. Australia; Smokey Joe, Weber, Kettle Silhouette[®], Genesis, Austria; Kettle Silhouette[®], Smokey Joe, Weber, Benelux; Kettle Silhouette[®], Smokey Joe, Weber, Compact Grill Configuration, Botswana; Weber, Canada; Smokey Joe, Genesis, China; Kettle Silhouette[®], Denmark; Kettle Silhouette[®], Smokey Joe, Weber, Finland; Smokey Joe, France; Kettle Silhouette[®], Smokey Joe, Weber, One-Touch, Germany; Smokey Joe, Weber, One-Touch, Greece; Smokey Joe, Ireland; Kettle Silhouette[®], Smokey Joe, Italy; Smokey Joe, Weber, Japan; Smokey Joe, Weber, Korea; Smokey Joe, Weber, New Zealand; Weber, Smokey Joe, Nigeria; Weber, Norway; Smokey Joe, Weber, Portugal; Weber, South Africa; Smokey Joe, Weber, Kettle Configuration, Spain; Smokey Joe, Weber, Sweden; Kettle Silhouette[®], Smokey Joe, Switzerland; Kettle Silhouette[®], Smokey Joe, Weber, United Kingdom; Smokey Joe, Weber, Weber One-Touch, U.S.A.; Kettle Configuration, Kettle Silhouette[®], Smokey Joe, Weber, One-Touch, Firespice, Go-Anywhere, U.S.A.; Kettle Configuration, Kettle Silhouette, Genesis, Flavorizer, Crossover, Flango, Performer, Rapidfire, Tuck 'N Carry, Jumbo Joe, Bar-B-Kettle, Master-Touch, Spirit, Grill Out, Summit, Platinum, 1-800-Grill-Out, Ranch, Matchless Flame, Zimbabwe; Weber, Kettle Configuration, Kettle Silhouette[®].
Printed in U.S.A.

Thanks for sharing your contact information with us. Again, it all stays strictly between us — Weber does not share customers' names with anyone else. If you need replacement parts or have questions about the assembly, use or maintenance of your grill, please call Weber Customer Service.

Gracias por compartir su información de contacto con nosotros. De nuevo, todo quedará estrictamente entre nosotros — Weber no comparte los nombres de sus clientes con nadie. Si necesita partes de repuesto o tiene preguntas acerca del ensamblaje, uso o mantenimiento del su asador, por favor llame al Departamento de Soporte y Servicio al Cliente de Weber.

Merci de nous avoir communiqué vos coordonnées. Nous vous rappelons que ces informations resteront strictement entre nous : Weber ne communique les noms de ses clients à personne. Si vous avez besoin de pièces de rechange ou si vous avez des questions sur le montage, l'utilisation ou l'entretien de votre grill, veuillez consulter le Service Client de Weber.

For purchases made in the U.S.:
Para compras hechas en los Estados Unidos:
Pour les achats effectués aux États-Unis:

Product Registration
 P.O. Box 1999
 Palatine, IL 60078-1999
 1-800-446-1071

For purchases made in Mexico:
Para compras hechas en México:
Pour les achats effectués au Mexique:

Weber-Stephen Products S.A. de C.V.
 Marcella No. 338
 Col. Americana • Guadalajara, Jalisco
 44160 Mexico, C. P. • Mexico
 Teléfono – (52) (33)3615-0736 x113
 R.F.C. WPR 030919 ND4

For purchases made in Canada:
Para compras hechas en Canadá:
Pour les achats effectués au Canada:

Product Registration
 P.O. Box 40530
 Burlington, ON L7P 4W1
 1-800-265-2150

Knowing more about who buys our grills helps the crew back in R&D come up with new cutting edge Weber products. Please fill in the answers you feel comfortable sharing with us, and pass by any question you prefer to leave blank. Thank you for being so generous.

Saber más sobre quién compra nuestros asadores ayuda al equipo de Investigación y Desarrollo a concebir nuevos productos Weber de avanzada. Por favor rellene las respuestas con las que se sienta más cómodo en compartir con nosotros, y pase por alto cualquier pregunta que prefiera dejar en blanco. Gracias por su generosidad.

Le fait de mieux connaître les personnes qui achètent nos grills aide le personnel du service R&D à développer de nouveaux produits Weber innovants. Veuillez répondre aux questions en fournissant les réponses pour lesquelles vous vous sentez à l'aise, et passez toute question que vous préférez laisser sans réponse. Nous vous remercions pour votre générosité.

9. Are you: / Es usted: / Vous êtes:

1. Male / Hombre / Un homme 2. Female / Mujer / Une femme

10. Are you married? / ¿Está casado? / Êtes-vous marié?

1. Yes / Sí / Oui 2. No / No / Non

11. What's your date of birth? / ¿Cuál es su fecha de nacimiento? / Quelle est votre date de naissance ?

 Month / Mes / Mois Day / Día / Jour Year / Año / Année

12. Including yourself, how many people live in your household? / Incluyéndolo a usted, ¿cuántos viven en su casa? / Vous compris, combien de personnes composent votre foyer ?

1. Children under 18 (example 01, 02, etc.)
 Niños menores de 18 (ejemplo 01, 02, etc.)
 Enfants de moins de 18 ans (par exemple, 1 an, 2 ans, etc.)
2. Adults / Adultos / Adultes

13. Do you own or rent the place you call home? / ¿Posee o alquila el lugar que usted llama casa? / Possédez-vous ou louez-vous le lieu que vous appelez votre domicile ?

1. Own / Propio / Propriétaire 2. Rent / Alquiler / Locataire

14. What's your annual household income? / ¿Cuánto es su ingreso familiar anual? / Quel est le revenu annuel de votre foyer ?

- | | |
|---|--|
| 1. <input type="checkbox"/> <\$15,000 | 9. <input type="checkbox"/> \$60,000-\$74,999 |
| 2. <input type="checkbox"/> \$15,000-\$24,999 | 10. <input type="checkbox"/> \$75,000-\$99,999 |
| 3. <input type="checkbox"/> \$25,000-\$29,999 | 11. <input type="checkbox"/> \$100,000-\$149,999 |
| 4. <input type="checkbox"/> \$30,000-\$34,999 | 12. <input type="checkbox"/> \$150,000-\$174,999 |
| 5. <input type="checkbox"/> \$35,000-\$39,999 | 13. <input type="checkbox"/> \$175,000-\$199,999 |
| 6. <input type="checkbox"/> \$40,000-\$44,999 | 14. <input type="checkbox"/> \$200,000-\$249,999 |
| 7. <input type="checkbox"/> \$45,000-\$49,999 | 15. <input type="checkbox"/> \$250,000-\$299,999 |
| 8. <input type="checkbox"/> \$50,000-\$59,999 | 16. <input type="checkbox"/> >\$300,000 |

15. Which activities or interests do you have that keep you (or your partner) busy? / ¿Qué actividades o intereses tiene que lo mantienen a usted (o a su compañero/a) ocupado? / Quelles sont les activités ou centres d'intérêt (pour vous ou votre conjoint) qui vous occupent ?

- | | |
|---|---|
| 1. <input type="checkbox"/> Arts or antiques / Artes o antigüedades / Arts ou antiquités | 19. <input type="checkbox"/> My cat / Mi gato / Mon chat |
| 2. <input type="checkbox"/> Bicycling / Ciclismo / Bicyclette | 20. <input type="checkbox"/> My dog / Mi perro / Mon chien |
| 3. <input type="checkbox"/> Boating or sailing / Náutica o velerismo / Bateau ou navigation | 21. <input type="checkbox"/> Listening to music on my CD player / Escuchar música en mi tocadiscos CD / Écouter de la musique sur mon lecteur CD |
| 4. <input type="checkbox"/> Buying videos / Comprar videos / Achat de vidéos | 22. <input type="checkbox"/> Listening to music on any device / Escuchar música en algún dispositivo / Écouter de la musique quel que soit l'appareil utilisé |
| 5. <input type="checkbox"/> Subscribing to cable TV / Suscripción a televisión por cable / Inscriptions à la TV câblée | 23. <input type="checkbox"/> Personal computers / Computadores personales / Ordinateurs personnels |
| 6. <input type="checkbox"/> Camping or hiking / Acampar o excursionismo a pie / Camping ou marche | 24. <input type="checkbox"/> Photography / Fotografía / Photographie |
| 7. <input type="checkbox"/> Attending cultural arts or events / Asistir a artes culturales o eventos / Assister à des représentations artistiques ou à des événements culturels | 25. <input type="checkbox"/> Physical fitness or exercise / Mantenerme en buena forma física o ejercicio / Fitness ou exercices physiques |
| 8. <input type="checkbox"/> Dieting / Hacer dieta / Régime alimentaire | 26. <input type="checkbox"/> Politics / Política / Politique |
| 9. <input type="checkbox"/> Donating to charity / Donar a obras caritativas / Dons à des organismes caritatifs | 27. <input type="checkbox"/> Running / Correr / Course |
| 10. <input type="checkbox"/> Fishing / Pesca / Pêche | 28. <input type="checkbox"/> Shopping by mail order or catalog / Comprar por ventas por correo o catálogos / Achats par correspondance ou sur catalogue |
| 11. <input type="checkbox"/> Foreign travel / Viajes al extranjero / Voyages à l'étranger | 29. <input type="checkbox"/> Snow skiing / Esquiar sobre nieve / Ski |
| 12. <input type="checkbox"/> Gardening or plants / Jardinería o plantas / Jardinage ou plantes | 30. <input type="checkbox"/> Stocks & bonds / Acciones y bonos / Actions & obligations |
| 13. <input type="checkbox"/> Golf / Golf / Golf | 31. <input type="checkbox"/> Tennis / Tenis / Tennis |
| 14. <input type="checkbox"/> Grandchildren / Nietos / Petits-enfants | 32. <input type="checkbox"/> Veterans' affairs / Asuntos de los veteranos de guerra / Affaires liées aux anciens combattants |
| 15. <input type="checkbox"/> Houseplants / Plantas de interior / Plantes d'intérieur | 33. <input type="checkbox"/> Walking / Caminar / Marche |
| 16. <input type="checkbox"/> Hunting / Caza / Chasse | 34. <input type="checkbox"/> Watching sports on TV / Ver deportes por TV / Regarder le sport à la TV |
| 17. <input type="checkbox"/> Motorcycles / Motocicletas / Motocyclettes | 35. <input type="checkbox"/> Other / Otros / Autre <input type="text"/> |
| 18. <input type="checkbox"/> Needlework / Costura / Couture | |

PLACE STICKER HERE / COLOQUE LA ETIQUETA ADHESIVA AQUÍ / PLACEZ L'AUTOCOLLANT ICI

16. Serial number / número de serie / numéro de série

Free Manuals Download Website

<http://myh66.com>

<http://usermanuals.us>

<http://www.somanuals.com>

<http://www.4manuals.cc>

<http://www.manual-lib.com>

<http://www.404manual.com>

<http://www.luxmanual.com>

<http://aubethermostatmanual.com>

Golf course search by state

<http://golfingnear.com>

Email search by domain

<http://emailbydomain.com>

Auto manuals search

<http://auto.somanuals.com>

TV manuals search

<http://tv.somanuals.com>