

SUMMIT[®]



Built-In LP Tank Cabinet Installation/Owner's Guide

Guía del propietario del asador de gas licuado de propano - Pg 13

Guide de l'utilisateur du grill à gaz PL - Pg 25

#43176



THESE ACCESSORIES MAY BE PURCHASED SEPARATELY.

YOU MUST READ THIS OWNER'S GUIDE BEFORE OPERATING YOUR GAS GRILL

⚠ DANGER

If you smell gas:

1. Shut off gas to the appliance.
2. Extinguish any open flames.
3. Open lid.
4. If odor continues, keep away from the appliance and immediately call your gas supplier or your fire department.

Leaking gas may cause a fire or explosion which can cause serious bodily injury or death, or damage to property.

⚠ WARNING:

1. Do not store or use gasoline or other flammable liquids or vapors in the vicinity of this or any other appliance.
2. An LP cylinder not connected for use shall not be stored in the vicinity of this or any other appliance.

⚠ **WARNING:** Follow all leak-check procedures carefully in this manual prior to barbecue operation. Do this even if the barbecue was dealer-assembled.

NOTICE TO INSTALLER: These instructions must be left with the owner and the owner should keep them for future use.

**THIS GAS APPLIANCE IS DESIGNED FOR
OUTDOOR USE ONLY.**

⚠ **WARNING:** Do not try to light this appliance without reading the "Lighting Instructions" section of this manual.



43176 US 03/03/08
LP
US English

⚠ DANGER

Failure to follow the Dangers, Warnings and Cautions contained in this Owner's Manual may result in serious bodily injury or death, or in a fire or an explosion causing damage to property.

⚠ WARNINGS

- ⚠ Do not store a spare or disconnected liquid propane cylinder under or near this barbecue.
- ⚠ Improper assembly may be dangerous. Please follow the assembly instructions carefully.
- ⚠ After a period of storage, and/or nonuse, the Weber® gas barbecue should be checked for gas leaks and burner obstructions before use. See instructions in this manual for correct procedures.
- ⚠ Do not operate the Weber® gas barbecue if there is a gas leak present.
- ⚠ Do not use a flame to check for gas leaks.
- ⚠ Combustible materials should never be within 24 inches (61 cm) of the back or sides of your Weber® gas barbecue.
- ⚠ Do not put a barbecue cover or anything flammable on, or in the storage area under the barbecue.
- ⚠ Your Weber® gas barbecue should never be used by children. Accessible parts of the barbecue may be very hot. Keep young children away while it is in use.
- ⚠ You should exercise reasonable care when operating your Weber® gas barbecue. It will be hot during cooking or cleaning and should never be left unattended, or moved while in operation.
- ⚠ Should the burners go out while in operation, turn all gas valves off. Open the lid and wait five minutes before attempting to relight, using the lighting instructions.
- ⚠ Do not use charcoal or lava rock in your Weber® gas barbecue.
- ⚠ Never lean over open grill or place hands or fingers on the front edge of the cooking box.
- ⚠ Should a grease fire occur, turn off all burners and leave lid closed until fire is out.
- ⚠ Do not enlarge valve orifices or burner ports when cleaning the valves or burners.
- ⚠ The Weber® gas barbecue should be thoroughly cleaned on a regular basis.
- ⚠ Liquid propane gas is not natural gas. The conversion or attempted use of natural gas in a liquid propane unit or liquid propane gas in a natural gas unit is dangerous and will void your warranty.
- ⚠ Do not attempt to disconnect any gas fitting while your barbecue is in operation.
- ⚠ Use heat-resistant barbecue mitts or gloves when operating barbecue.
- ⚠ Keep any electrical supply cord and the fuel supply hose away from any heated surfaces.
- ⚠ Combustion byproducts produced when using this product contain chemicals known to the state of California to cause cancer, birth defects, or other reproductive harm.
- ⚠ Do not use this barbecue unless all parts are in place. The unit must be properly assembled according to the assembly instructions.
- ⚠ Proposition 65 Warning: Handling the brass material on this product exposes you to lead, a chemical known to the state of California to cause cancer, birth defects or other reproductive harm.
(Wash hands after handling this product.)

LIQUID PROPANE GAS UNITS ONLY:

- ⚠ Use the pressure regulator and hose assembly that is supplied with your Weber® gas barbecue.
- ⚠ Do not attempt to disconnect the gas regulator and hose assembly or any gas fitting while your barbecue is in operation.
- ⚠ A dented or rusty liquid propane cylinder may be hazardous and should be checked by your liquid propane supplier. Do not use a liquid propane cylinder with a damaged valve.
- ⚠ Although your liquid propane cylinder may appear to be empty, gas may still be present, and the cylinder should be transported and stored accordingly.
- ⚠ If you see, smell or hear the hiss of escaping gas from the liquid propane cylinder:
 1. Move away from liquid propane cylinder.
 2. Do not attempt to correct the problem yourself.
 3. Call your fire department.

Weber-Stephen Products Co. (Weber) hereby warrants to the ORIGINAL PURCHASER of this Weber® gas grill that it will be free of defects in material and workmanship from the date of purchase as follows:

Aluminum castings	25-years (2 years on paint; excludes fading)
Stainless steel Shroud,	25-years;
Porcelain-enameled shroud,	25-years
Cookbox Assembly	10-years (2 year on paint excludes fading)
Stainless steel burners tubes,	10-years
Stainless steel cooking grates,	5-years no rust through or burn through
Stainless steel Flavorizer bars,	5-years no rust through or burn through
Porcelain-enameled cast-iron cooking grates,	5-year no rust through or burn through
Porcelain-enameled cooking grates,	3-years no rust through or burn through
Porcelain-enameled Flavorizer bars,	2-years no rust through or burn through
Infrared Rotisserie Burner,	2-years
All remaining parts,	2-years

When assembled and operated in accordance with the printed instructions accompanying it.

Weber may require reasonable proof of your date of purchase. THEREFORE, YOU SHOULD RETAIN YOUR SALES SLIP OR INVOICE.

This Limited Warranty shall be limited to the repair or replacement of parts that prove defective under normal use and service and which on examination shall indicate, to Weber's satisfaction, they are defective. Before returning any parts, contact the Customer Service Representative in your area using the contact information on our website. If Weber confirms the defect and approves the claim, Weber will elect to replace such parts without charge. If you are required to return defective parts, transportation charges must be prepaid. Weber will return parts to the purchaser, freight or postage prepaid.

This Limited Warranty does not cover any failures or operating difficulties due to accident, abuse, misuse, alteration, misapplication, vandalism, improper installation or improper maintenance or service, or failure to perform normal and routine maintenance, including but not limited to damage caused by insects within the burner tubes, as set out in this owner's manual.

Deterioration or damage due to severe weather conditions such as hail, hurricanes, earthquakes or tornadoes, discoloration due to exposure to chemicals either directly or in the atmosphere, is not covered by this Limited Warranty.

There are no other express warranties except as set forth herein and any applicable implied warranties of merchantability and fitness are limited in duration to the period of coverage of this express written Limited Warranty. Some regions do not allow limitation on how long an implied warranty lasts, so this limitation may not apply to you.

Weber is not liable for any special, indirect or consequential damages. Some regions do not allow the exclusion or limitation of incidental or consequential damages, so this limitation or exclusion may not apply to you.

Weber does not authorize any person or company to assume for it any other obligation or liability in connection with the sale, installation, use, removal, return, or replacement of its equipment; and no such representations are binding on Weber.

This Warranty applies only to products sold at retail.

WEBER-STEPHEN PRODUCTS CO.
Customer Service Center
1890 Roselle Road, Suite 308
Schaumburg, IL 60195
USA

For replacement parts call:
1-800-446-1071
www.weber.com®

OPERATING

Liquid Propane (LP) gas supply is easy to use and gives you more cooking control than charcoal fuel.

- These instructions will give you the minimum requirements for assembling your Weber® gas barbecue. Please read the instructions carefully before using your Weber® gas barbecue. Improper assembly can be dangerous.
- Not for use by children.
- If there are local codes that apply to portable gas grills, you will have to conform to them. Installation must conform with local codes or, in the absence of local codes, with either the National Fuel Gas Code, ANSI Z223.1/NFPA 54, Natural Gas and Propane Installation Code, CSA B149.1, or Propane Storage and Handling Code, B149.2 as applicable.
- The pressure regulator supplied with the Weber® gas barbecue must be used. This regulator is set for 11 inches of water column (pressure).
- This Weber® gas barbecue is designed for use with liquid propane (LP) gas only. Do not use with natural (piped in city) gas. The valves, orifices, hose and regulator are for LP gas only.
- Do not use with charcoal fuel.
- Check that the area under the control panel and the bottom tray are free from debris that might obstruct the flow of combustion or ventilation air.
- The areas around the LP cylinder must be free and clear from debris.
- Replacement pressure regulators and hose assemblies must be those specified by Weber-Stephen Products Co.

FOR INSTALLATION IN CANADA

These instructions, while generally acceptable, do not necessarily comply with the Canadian Installation codes, particularly with piping above and below ground. In Canada the installation of this appliance must comply with local codes and/or Standard CSA-B149.2 (Propane Storage and Handling Code).

- ⚠ **WARNING: Only use this barbecue outdoors in a well-ventilated area. Do not use in a garage, building, breezeway or any other enclosed area.**
- ⚠ **WARNING: Your Summit® Built-In gas barbecue shall not be used under an unprotected combustible roof or overhang.**
- ⚠ **WARNING: Do not use the barbecue within 24 inches (610 mm) of combustible materials, top, bottom, back or sides of the grill.**
- ⚠ **WARNING: The entire cooking box gets hot when in use. Do not leave unattended.**
- ⚠ **WARNING: Keep any electrical supply cord and the fuel supply hose away from any heated surface.**
- ⚠ **WARNING: Keep the cooking area clear of flammable vapors and liquids such as gasoline, alcohol, etc., and combustible materials.**
- ⚠ **WARNING: Never store an extra (spare) LP cylinder under or near the Weber® gas barbecue.**
- ⚠ **WARNING: Keep the ventilation openings of the cylinder enclosure free and clear of debris.**
- ⚠ **WARNING: Turn off the gas at the LP gas supply cylinder when the outdoor cooking gas appliance is not in use.**
- ⚠ **WARNING: Never store an outdoor cooking gas appliance indoors unless the LP cylinder is disconnected and removed from the outdoor cooking gas appliance.**
- ⚠ **WARNING: LP cylinders must be stored outdoors out of the reach of children and must not be stored in a building, garage, or any other enclosed area.**

STORAGE AND/OR NONUSE

- The gas must be turned off at the liquid propane cylinder when the Weber® gas barbecue is not in use.
- LP cylinder must be stored outdoors in a well-ventilated area out of reach of children. Disconnected LP cylinder must not be stored in a building, garage or any other enclosed area.
- Check that the areas under the control panel and the slide out bottom tray are free from debris that might obstruct the flow of combustion or ventilation air.
- The Spider/Insect Screens should also be checked for any obstructions. (See Section: "Annual Maintenance.")

LOCATING YOUR LP TANK CABINET

When determining a suitable location for your LP Tank Cabinet installation, give attention to concerns such as exposure to wind, proximity to traffic paths, and keeping any gas supply lines as short as possible. Never locate the Summit® LP Tank Cabinet in a garage, breezeway, shed, under an unprotected overhang, or other enclosed area. Locate the LP Tank Cabinet and structure so there is enough room to safely evacuate the area in case of a fire.

CLEARANCE FROM COMBUSTIBLE SURFACES OR STRUCTURES

⚠WARNING: Clearance from the outside walls of the sides and back of the LP Tank Cabinet must be a minimum of 24 inches (610 mm) from any surface. Refer to “Typical Gas Supply Installation” before starting installation.

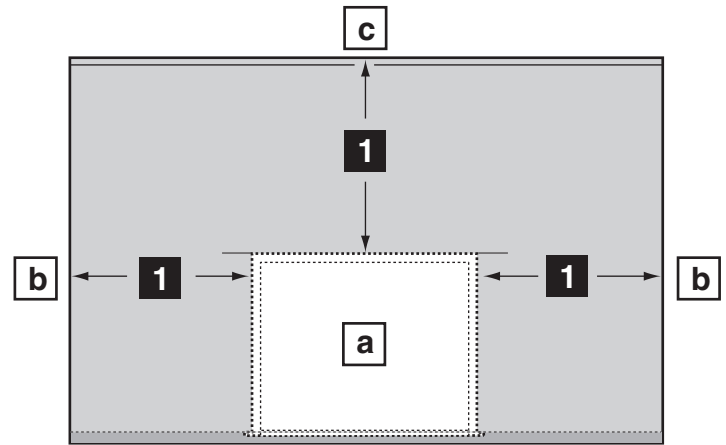
⚠WARNING: The structure, “island” counter tops and adjacent work areas for the LP Tank Cabinet installation must be built from noncombustible materials only.

NOTE: If you have questions on what materials are considered noncombustible, contact your local building supplier or fire department.

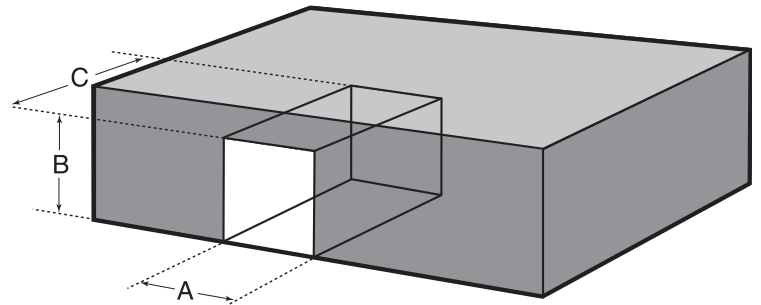
BUILT-IN STRUCTURE CUTOUT DIMENSIONS

All dimensions are to finished surfaces.

⚠WARNING: All counter top finished surfaces must be constructed of a noncombustible material.



BUILT-IN CUTOUT DIMENSIONS	
	S-440, S-640
1	24" (610 mm) minimum*
a	LP Tank Cabinet
b	Any Surface
c	Non-Combustible Surface



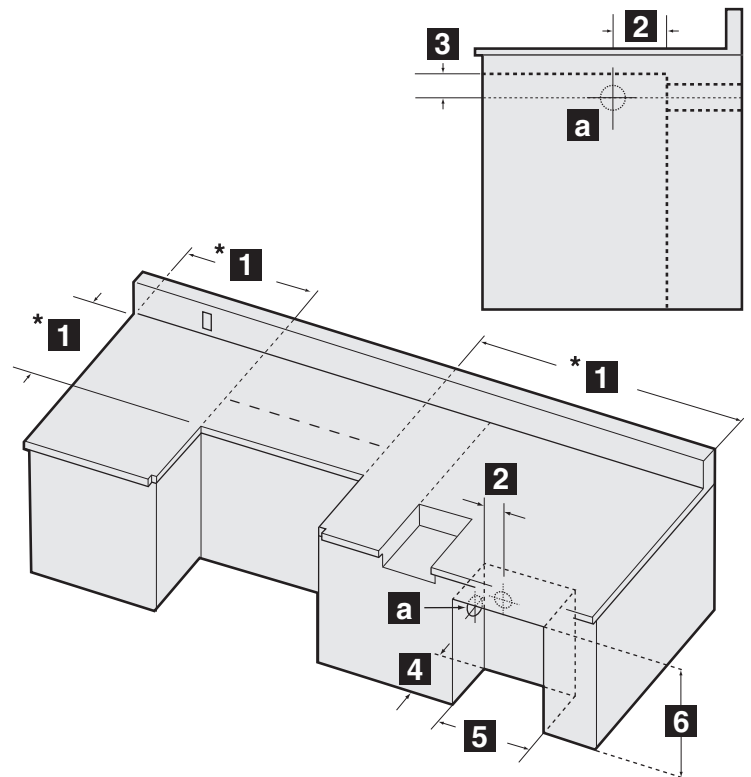
TANK CABINET CUTOUT DIMENSIONS		
	S-440	TOLERANCES
A	20 ³ / ₄ " (527.05 mm)	+ ¹ / ₄ " - ¹ / ₄ " (6.35mm)
B	27 ¹ / ₂ " (698.5 mm)	+ ¹ / ₄ " - ¹ / ₄ " (6.35mm)
C	14" (355.6 mm)	+ ¹ / ₄ " - ¹ / ₄ " (6.35mm)

BUILT-IN GAS LINE LOCATIONS

GENERAL CONSTRUCTION DETAILS

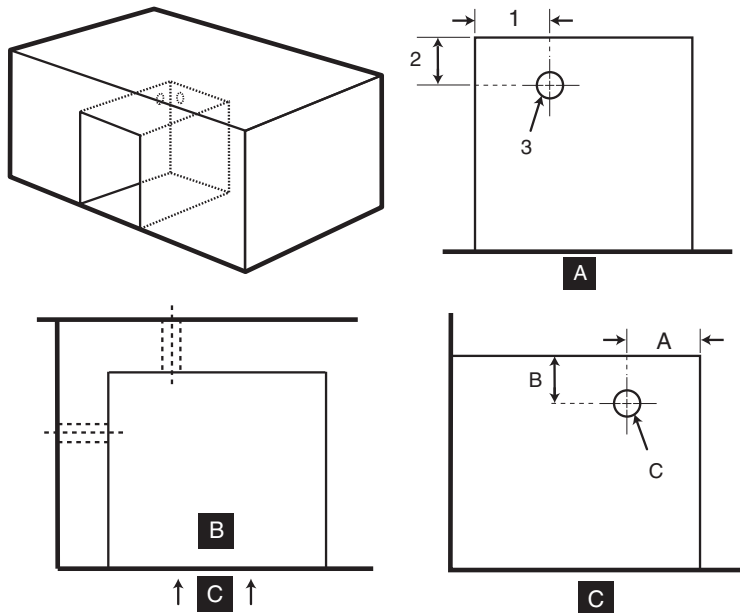
- Summit® Built-In unit and all other accessory units should be on site before construction begins.
- All dimensions have a tolerance of plus or minus (+/-) 1/4 inch (6.4mm).

BUILT-IN CUTOUT DIMENSIONS		
S-440, S-640		
DIMENSIONS	1	24" (610 mm) minimum*
	2	5" (127 mm)
	3	2 1/2" (63.5 mm)
	4	14" (355.6 mm)
	5	20 3/4" (527.1 mm)
	6	27 1/2" (698.5 mm)
a	Gas Inlet	
* Clearance from any surface or structure is at least 24" (610mm) from the back and sides of the grill or side burner.		



BUILT-IN GAS LINE LOCATIONS

Area should be kept clear of sharp, jagged, or extremely abrasive surfaces to avoid possible damage to gas supply lines. Exercise caution when pulling gas lines through built-in structure.



LP TANK CABINET GAS LINE DIMENSIONS

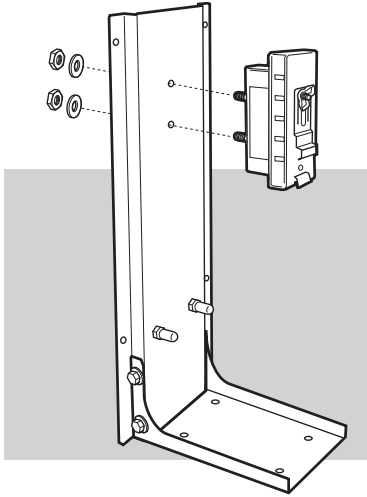
Area should be kept clear of sharp, jagged, or extremely abrasive surfaces to avoid possible damage to gas supply lines. Exercise caution when pulling gas lines through built-in structure.

GAS LINE DIMENSIONS		
	TANK CABINET	TOLERANCES
1	5" (127 mm)	+ 1/4" - 1/4" (6.35mm)
2	2 1/2" (63.5 mm)	+ 1/4" - 1/4" (6.35mm)
3	2 3/4" (69.85 mm)	+ 1/4" - 1/4" (6.35mm)
A	Front View	
B	Plan View	
C	Side View	
D	Front of LP Tank Cabinate Structure	

1

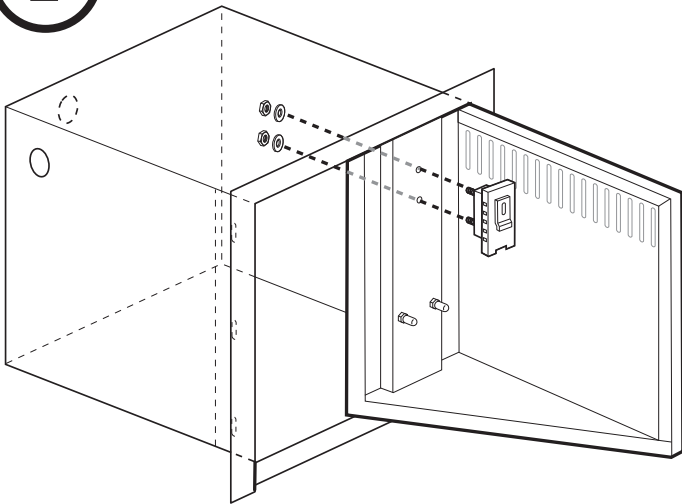
MOUNTING THE LP TANK CABINET

Remove the Tank Scale from the Tank Enclosure Bracket (Packed with your grill).



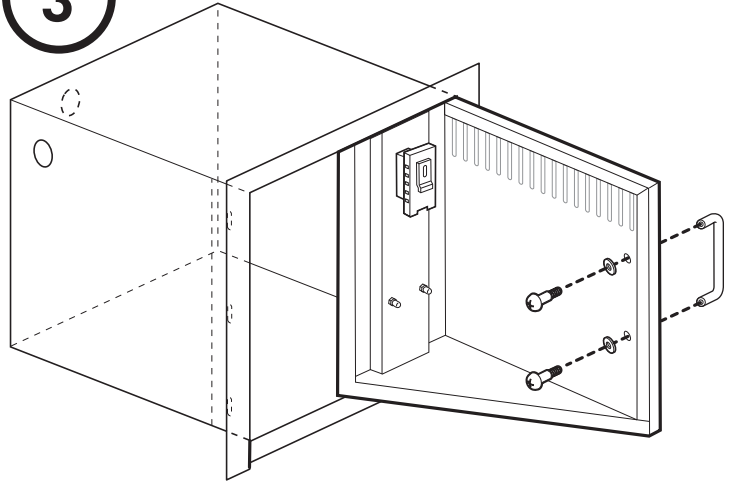
2

Install Tank Scale onto Tank Cabinet door shelf.



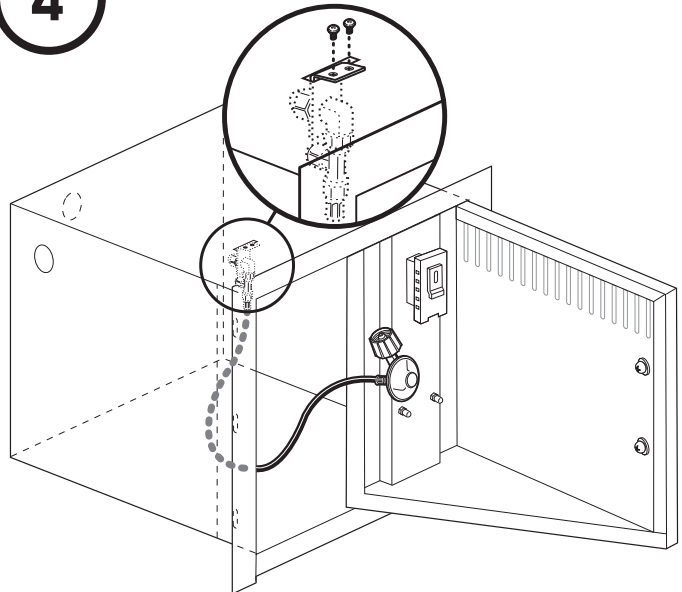
3

Install Door Handle.



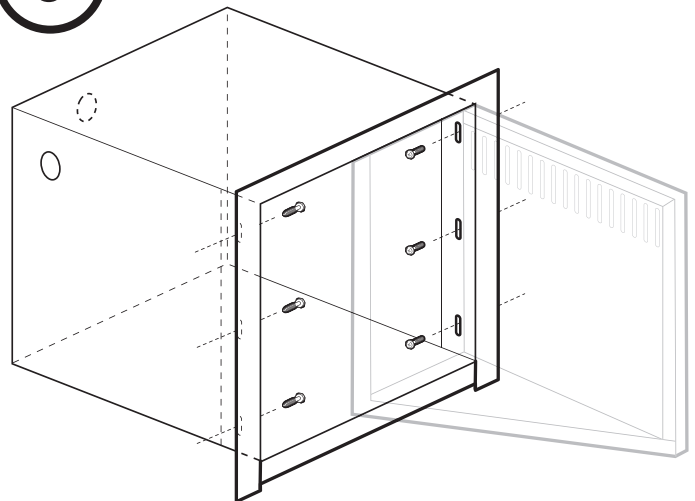
4

Install the bulkhead assembly to the top of the tank cabinet. Located inside the door frame are mounting holes that are provided for



5

securing your LP Tank Cabinet to the "island" structure. Be sure to mount the LP Tank Cabinet before use.



CONNECT GAS SUPPLY

A 58 inch (147.32 cm) corrugated gas line is supplied with the grill. This line needs to pass through the gas inlet opening to the main gas supply.

- 1) Connect the corrugated gas line to the manifold located on the right hand side of grill under the control panel. Use the 1/2" flared gasket (1) to ensure proper seal.

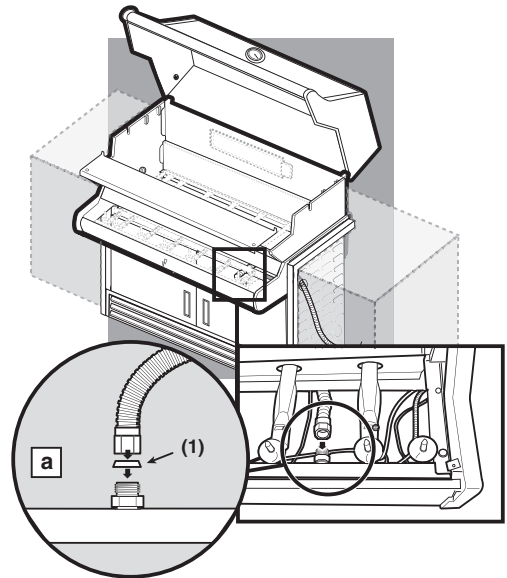
Note: 1/2" flared gaskets are included in the Summit® Built-In tank cabinet (#21280) or included with your grill.

The corrugated line passes through the "Island Structure" cavity to the regulator connection inside the Summit® Built-In tank cabinet (#21280) or the hose and regulator connection inside the tank enclosure. (Shown below)

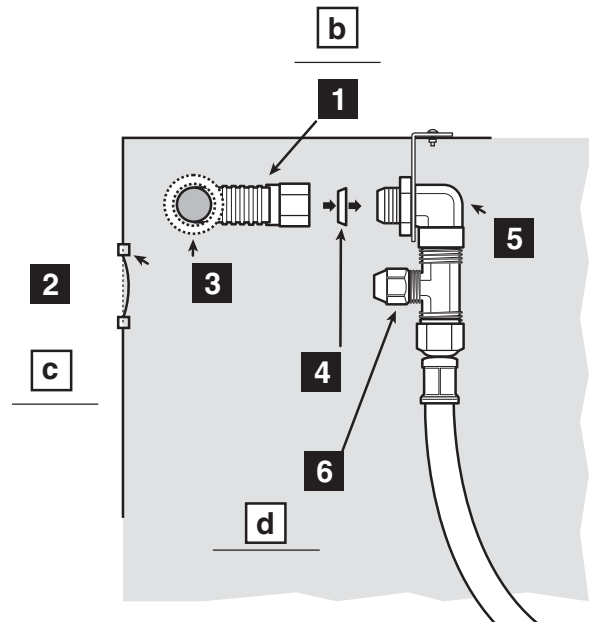
- 2) Uncap one flare fitting from the 90° Connection located inside the Summit® Built-In Tank Enclosure.
- 3) Use the 1/2 (12.7 mm) inch flared gasket to ensure proper seal.

NOTE: Only use the 3/8 inch (9.53 mm) flared gasket if you are installing the optional side burner.

- 4) Connect the corrugated gas line to the 90° Connection.



SIDE BURNER GAS SUPPLY CONNECTIONS	
S-440, S-640	
1	Corrugated Gas Line to Manifold
2	Plug unused hole with supplied plug
3	Use bushing for gas line hole
4	1/2" (12.7mm) Flared Gasket
5	90° Fitting
6	Cap (Optional Side Burner)
a	Top View
b	Top of Box
c	Back of Box
d	Side View



IMPORTANT LP CYLINDER INFORMATION

Failure to follow these DANGER statements exactly may result in a fire causing death or serious injury.

⚠ DANGER

⚠ NEVER store a spare LP Cylinder under or near this barbecue.

⚠ NEVER fill the tank beyond 80% full.

Your Weber® gas grill is equipped for a cylinder supply system designed for vapor withdrawal.

⚠ WARNING: Only use this grill outdoors in a well-ventilated area. Do not use in a garage, building, breezeway or any other enclosed area.

The proper filling methods for the filling of your cylinder are by weight or volume, as described in NFPA 58. Please make sure your filling station fills your LP cylinder by weight or volume. Ask your filling station to read purging and filling instructions on the LP cylinder before attempting to fill.

LEAK CHECK PREPARATION**CHECK THAT ALL BURNER VALVES ARE OFF**

Valves are shipped in the "OFF" position, but you should check to be sure that they are turned off. Check by pushing down and turning clockwise. If they do not turn, they are off. Proceed to the next step. If they do turn continue turning them clockwise until they stop, then they are off. Proceed to the next step.

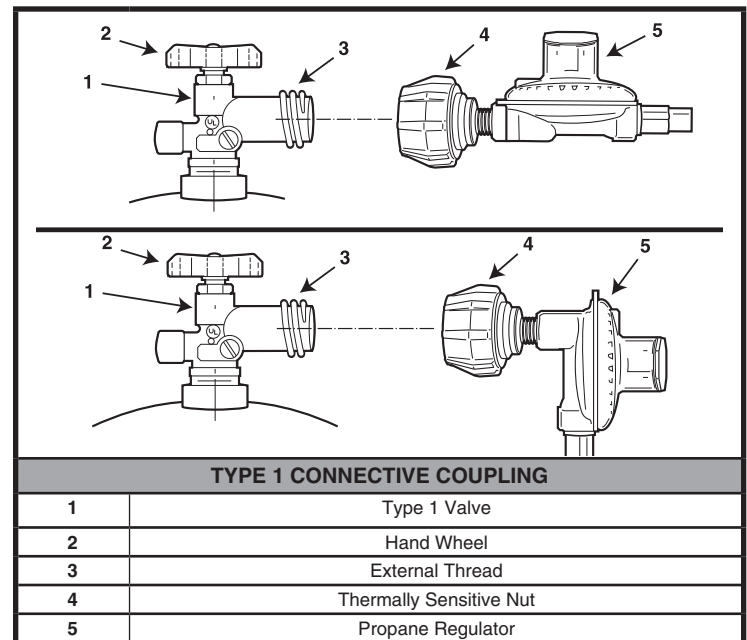
CONNECTING THE LIQUID PROPANE CYLINDER

All Weber® liquid propane gas grill regulators are equipped with a UL-Listed tank connection as per the latest edition of ANSI Z21.58. This will require a liquid propane tank that is similarly equipped with a Type 1 connection in the tank valve. This Type 1 coupling allows you to make a fast and totally safe hookup between your gas grill and your liquid propane tank. It eliminates the chance of leaks due to a POL fitting that is not properly tightened. Gas will not flow from the tank unless the Type 1 coupling is fully engaged into the coupling.

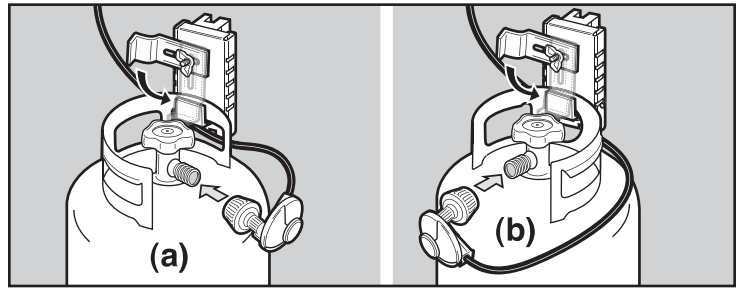
⚠ WARNING: Make sure that the LP cylinder valve is closed. Close by turning valve clockwise.

⚠ DANGER

Do not use an open flame to check for gas leaks. Be sure there are no sparks or open flames in the area while you check for leaks. Sparks or flames will result in a fire or explosion which can cause serious bodily injury or death, and damage to property.



Some LP tanks have differing top collar assemblies. (The top collar is the metal protective ring around the valve.) One series of tanks mount with the valve facing front (a). The other tanks mount with the valve facing away from the fuel scale (b). Weber recommends the use of cylinder manufacturer's Manchester and Worthington, with a 47.6 lb water capacity. Other cylinders may be acceptable for use with the appliance provided they are compatible with the appliance retention means (see illustrations).



The LP cylinder is installed inside the tank enclosure or tank cabinet, on the tank scale.

- 1) Turn the LP cylinder so the opening of the valve is either to the front, side or rear of the Weber® gas barbecue. Lift and hook the cylinder onto the fuel gauge.
- 2) Lift tank up into position on the tank scale.
- 3) Loosen the cylinder lock wing nut. Swing the cylinder lock down. Tighten the wing nut.

TO CONNECT THE HOSE TO THE CYLINDER:

- 4) Remove the plastic dust cover from the valve.
- 5) Screw the regulator coupling onto the tank valve, clockwise, or to the right. Hand-tighten only.

Note: This connection tightens clockwise and will not allow gas to flow unless the connection is tight. The connection requires tightening by hand only.

⚠ WARNING: Do not use a wrench to tighten the connection. Using a wrench could damage the regulator coupling and could cause a leak.

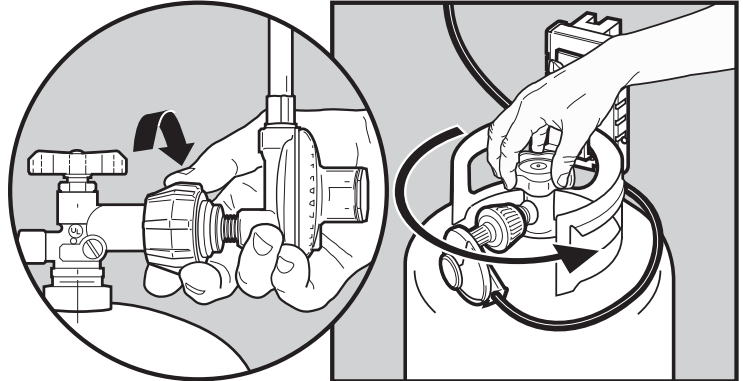
You will need: LP cylinder, a soap and water solution and a rag or brush to apply it.

- 6) Mix soap and water.
- 7) Turn on the cylinder valve.
- 8) Check for leaks by wetting the fitting with the soap and water solution and watching for bubbles. If bubbles form, or if a bubble grows, there is a leak.

If there is a leak, turn off the gas and tighten the fitting. Turn the gas back on and recheck with the soap and water solution.

If leak does not stop do not use the barbecue. Contact the Customer Service Representative in your area using the contact information on our web site. Log onto www.weber.com.

- 9) When leak checking is complete, turn gas supply off at the source and rinse connections with water.



CHECK FOR GAS LEAKS

After a period of nonuse, we recommend that you perform the following maintenance procedures for your safety.

⚠ WARNING: Check the hose before each use of the grill for nicks, cracking, abrasions or cuts. If the hose is found to be damaged in any way, do not use the grill. Replace using only Summit® authorized replacement hose. Contact the Summit® Built-In Customer Service at 1-800-446-1071.

- Inspect the burners for correct flame pattern. Clean if necessary, following the procedures outlined in the "General Maintenance" section of this manual.
- Check all gas fittings for leaks.

⚠ DANGER

Do not use an open flame to check for gas leaks. Be sure there are no sparks or open flames in the area while you check for leaks. Sparks or open flames will result in a fire or explosion, which can cause serious bodily injury or death and damage to property.

⚠ WARNING: You should check for gas leaks every time you disconnect and reconnect a gas fitting.

Note - All factory-made connections have been thoroughly checked for gas leaks. The burners have been flame-tested. As a safety precaution however, you should recheck all fittings for leaks before using your Weber® Gas Barbecue. Shipping and handling may loosen or damage a gas fitting.

⚠ WARNING: Perform these leak checks even if your barbecue was dealer or store assembled.

You will need: a soap and water solution, and a rag or brush to apply it.

Note - Since some leak test solutions, including soap and water, may be slightly corrosive, all connections should be rinsed with water after checking for leaks. Make sure side burner is OFF.

To perform leak checks: open cylinder valve by turning the cylinder valve hand-wheel counterclockwise.

⚠ WARNING: Do not ignite burners when leak checking.

Check for leaks by wetting the connections with the soap and water solution and watching for bubbles. If bubbles form or if a bubble grows, there is a leak.

Check:

- 1) Gas Line-to-"T" Connection
- 2) Regulator-to-Cylinder connection.

⚠ WARNING: If there is a leak at connection (1), retighten the fitting with a wrench and recheck for leaks with soap and water solution.

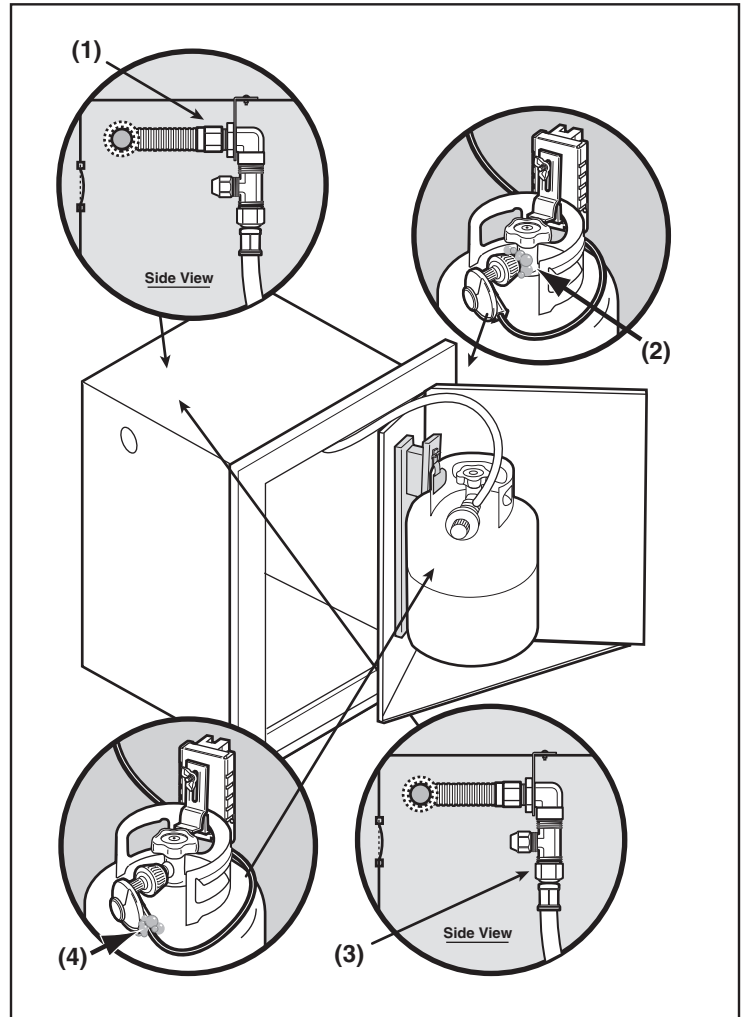
If a leak persists after re-tightening the fitting, turn OFF the gas. DO NOT OPERATE THE GRILL. Contact Customer Service 1-800-446-1071.

Check:

- 3) "T" Connection-to-Hose connections.
- 4) The hose-to-Regulator connection.

⚠ WARNING: If there is a leak at connections (2,3, or 4), turn OFF the gas. DO NOT OPERATE THE GRILL. Contact Customer Service 1-800-446-1071.

When leak checks are complete, turn gas supply OFF at the source and rinse connections with water.



⚠ ATTENTION: This product has been safety tested and is only certified for use in a specific country. Refer to country designation located on outer carton.

These parts may be gas carrying or gas burning components. Please contact Weber-Stephen Products Co., Customer Service Department for genuine Weber-Stephen Products Co. replacement part(s) information.

⚠ WARNING: Do not attempt to make any repair to gas carrying or gas burning components without contacting Weber-Stephen Products Co., Customer Service Department. Your actions, if you fail to follow this product Warning, may cause a fire or an explosion resulting in serious personal injury or death and damage to property.

REFILLING THE LIQUID PROPANE CYLINDER

We recommend that you refill the LP cylinder before it is completely empty.

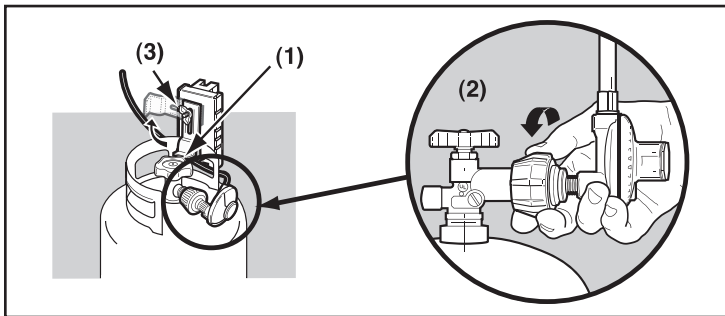
Removal of the LP cylinder

- 1) Close cylinder valve (turn clockwise).
- 2) Unscrew regulator coupling by turning counterclockwise, by hand only.
- 3) Loosen cylinder lock wing nut and turn cylinder lock up out of the way.
- 4) Lift cylinder off.

To fill, take the LP cylinder to a gas propane dealer, or look up "gas-propane" in the phone book for other sources of LP gas.

⚠ WARNING: We recommend that your LP cylinder be filled at an authorized LP gas dealer, by a qualified attendant, who fills the cylinder by weight. IMPROPER FILLING IS DANGEROUS.

⚠ CAUTION: Place dust cap on cylinder valve outlet whenever the cylinder is not in use. Only install the type of dust cap on the cylinder valve outlet that is provided with the cylinder valve. Other types of caps or plugs may result in leakage of propane.



SAFE HANDLING TIPS FOR LIQUID PROPANE GAS CYLINDERS

- Liquid Propane (LP) gas is a petroleum product as are gasoline and natural gas. LP gas is a gas at regular temperatures and pressures. Under moderate pressure, inside a cylinder, LP gas is a liquid. As the pressure is released, the liquid readily vaporizes and becomes gas.
- LP gas has an odor similar to natural gas. You should be aware of this odor.
- LP gas is heavier than air. Leaking LP gas may collect in low areas and prevent dispersion.
- To fill, take the LP cylinder to a gas propane dealer, or look up "gas-propane" in the phone book for other sources of LP gas.

⚠ WARNING: We recommend that your LP cylinder be filled at an authorized LP gas dealer, by a qualified attendant, who fills the tank by weight. IMPROPER FILLING IS DANGEROUS.

- Air must be removed from a new LP cylinder before the initial filling. Your LP dealer is equipped to do this.
- The LP cylinder must be installed, transported and stored in an upright position. LP cylinders should not be dropped or handled roughly.
- Never store or transport the LP cylinder where temperatures can reach 125° F (too hot to hold by hand - for example: do not leave the LP cylinder in a car on a hot day).

Note: A refill will last about 18-20 hours of cooking time at normal use. The fuel scale will indicate the propane supply so you can refill before running out. You do not have to run out before you refill.

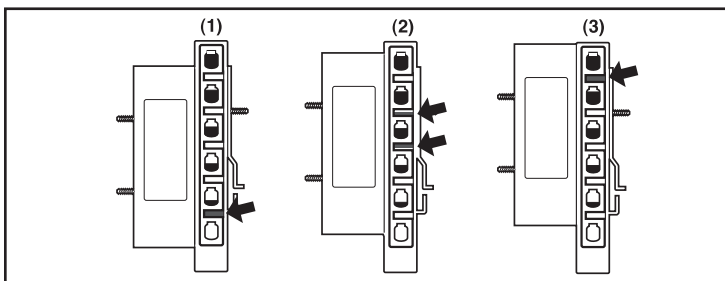
- Treat "empty" LP cylinders with the same care as when full. Even when the LP tank is empty of liquid there still may be gas pressure in the cylinder. **Always close the cylinder valve before disconnecting.**

⚠ CAUTION: Place dust cap on cylinder valve outlet whenever the cylinder is not in use. Only install the type of dust cap on the cylinder valve outlet that is provided with the cylinder valve. Other types of caps or plugs may result in leakage of propane.

CHECKING THE FUEL LEVEL IN YOUR TANK

Check the fuel level by viewing the color indicator level line on the side of the tank scale.

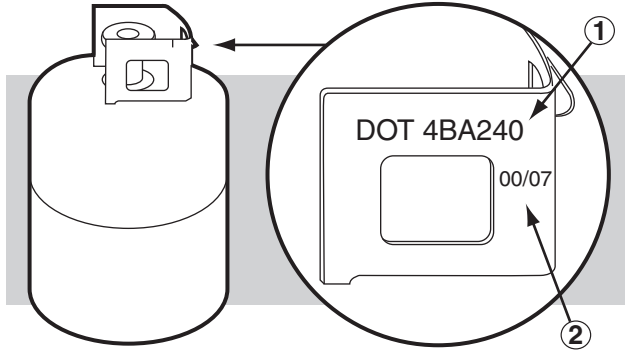
- 1) Empty
- 2) Medium
- 3) Full



- Do not use a damaged LP cylinder. Dented or rusty LP cylinders or LP cylinders with a damaged valve may be hazardous and should be replaced with a new one immediately.

Liquid Propane (LP) Cylinder(s)

- The joint where the hose connects to the LP cylinder must be leak tested each time the LP cylinder is reconnected. For example, test each time the LP cylinder is refilled.
- Be sure the regulator is mounted with the small vent hole pointed downward so that it will not collect water. This vent should be free of dirt, grease, bugs etc.
- The gas connections supplied with your Weber® gas barbecue have been designed and tested to meet 100% CSA and ANSI requirements.



⚠ WARNING: Replacement LP tanks must match the regulator connection supplied with this barbecue.

LIQUID PROPANE CYLINDER REQUIREMENTS

- Check to be sure cylinders have a D.O.T. certification (1), and date tested (2) is within five years. Your LP gas supplier can do this for you.
- All LP tank supply systems must include a collar to protect the cylinder valve.
- The LP cylinder must be a 20-lb. size approximately (18¼ inches high, 12¼ inches in diameter).
- The cylinder must be constructed and marked in accordance with the Specifications for LP - Gas Cylinders of the U.S. Department of Transportation (D.O.T.) or the National Standard of Canada, CAN/CSA-B339, Cylinders, Spheres and Tubes or Transportation of Dangerous Goods; and Commission, as applicable.

IN CANADA

LIQUID PROPANE CYLINDER REQUIREMENTS

Note: Your retailer can help you match a replacement tank to your barbecue.

- The LP cylinder must be constructed and marked in accordance with the specifications for LP gas cylinders, T.C.

TANK CABINET TROUBLESHOOTING

PROBLEM	CHECK	CURE
Burners do not light.	Is gas supply off?	Turn supply on.
Flame is low in HIGH position.	Is fuel hose bent or kinked?	Straighten fuel hose.
Burners do not light -or- burners have a small flickering flame in the HIGH position -or- barbecue temperature only reaches 250° to 300°F in the HIGH position.	The excess flow safety device, which is part of the barbecue to cylinder connection, may have activated.	To reset the excess flow safety device turn all burner control knobs and the cylinder valve OFF. Disconnect the regulator from the cylinder. Turn burner control knobs to HIGH. Wait at least 1 minute. Turn burner control knobs OFF. Reconnect the regulator to the cylinder. Turn cylinder valve on slowly. Refer to "Lighting Instructions".
If problems cannot be corrected by using these methods, please contact the Customer Service Representative in your area using the contact information on our web site. Log onto www.weber.com ®.		



WEBER-STEPHEN PRODUCTS CO.
www.weber.com®

©2005- The following trademarks are registered in the name of Weber-Stephen Products Co., an Illinois corporation, located at 200 East Daniels Road, Palatine, Illinois 60067 U.S.A. Australia; Smokey Joe, Weber, Kettle Silhouette®, Genesis, Austria; Kettle Silhouette®, Smokey Joe, Weber, Benelux; Kettle Silhouette®, Smokey Joe, Weber, Compact Grill Configuration, Botswana; Weber, Canada; Smokey Joe, Genesis, China; Kettle Silhouette®, Denmark; Kettle Silhouette®, Smokey Joe, Weber, Finland; Smokey Joe, France; Kettle Silhouette®, Smokey Joe, Weber, One-Touch, Germany; Smokey Joe, Weber, One-Touch, Greece; Smokey Joe, Ireland; Kettle Silhouette®, Smokey Joe, Italy; Smokey Joe, Weber, Japan; Smokey Joe, Weber, Korea; Smokey Joe, Weber, New Zealand; Weber, Smokey Joe, Nigeria; Weber, Norway; Smokey Joe, Weber, Portugal; Weber, South Africa; Smokey Joe, Weber, Kettle Configuration, Spain; Smokey Joe, Weber, Sweden; Kettle Silhouette®, Smokey Joe, Switzerland; Kettle Silhouette®, Smokey Joe, Weber, United Kingdom; Smokey Joe, Weber, Weber One-Touch, U.S.A.; Kettle Configuration, Kettle Silhouette®, Smokey Joe, Weber, One-Touch, Firespice, Go-Anywhere, U.S.A.; Kettle Configuration, Kettle Silhouette, Genesis, Flavorizer, Crossover, Flamgo, Performer, Rapidfire, Tuck 'N Carry, Jumbo Joe, Bar-B-Kettle, Master-Touch, Spirit, Grill Out, Summit, Platinum, 1-800-Grill-Out, Ranch, Matchless Flame, Zimbabwe; Weber, Kettle Configuration, Kettle Silhouette®.

Printed in USA.

SUMMIT®



Instalación del Gabinete/Guía del Propietario de las barbacoas empotradas de gas propano licuado

#43176



ESTOS ACCESORIOS PUEDEN ADQUIRIRSE POR SEPARADO.

DEBE LEER ESTA GUÍA DEL PROPIETARIO ANTES DE PONER A FUNCIONAR LA BARBACOA DE GAS

⚠ PELIGRO

Si huele a gas:

1. Cierre el suministro de gas al artefacto.
2. Apague todas las flamas cerrando la valvula general de paso.
3. Abra la tapa.
4. Llame inmediatamente a la central de fugas o a su proveedor de gas.

Una fuga de gas puede provocar un incendio o explosión que puede resultar en lesiones corporales serias o la muerte, o daños a la propiedad.

⚠ **NOTA IMPORTANTE:** Antes de poner a funcionar la asador, siga cuidadosamente todos los procedimientos en este manual para verificar que no existan fugas. Haga esto aun y cuando la asador haya sido ensamblada por el distribuidor.

⚠ PARA SU SEGURIDAD:

1. No almacene gasolina u otros fluidos flamables en la cercanía de su aparato.
2. Ningún cilindro de propano licuado que no esté conectado para su uso deberá almacenarse cerca de éste o cualquier otro artefacto doméstico.

AVISO AL INSTALADOR:

Estas instrucciones deben permanecer con el propietario, quien las deberá guardar para un futuro uso.

ESTE ARTEFACTO A GAS ESTÁ DISEÑADO PARA USARSE SOLAMENTE AL AIRE LIBRE.

⚠ **NOTA IMPORTANTE:** No trate de encender este artefacto sin antes leer la sección "Instrucciones para encender la asador" de este manual.



⚠ PELIGRO

El hacer caso omiso de los avisos de peligros, advertencias y precauciones contenidos en este Manual del Propietario pudiera resultar en lesiones corporales serias o la muerte, o en un fuego o explosión que cause daños a la propiedad.

⚠ ADVERTENCIAS

- ⚠ No almacene un tanque de propano licuado desconectado o de repuesto debajo o cerca de este asador.
- ⚠ El ensamblaje incorrecto puede ser peligroso. Por favor siga cuidadosamente las instrucciones de ensamblaje.
- ⚠ Tras haber estado guardada o sin uso por algún tiempo, antes de usar la barbacoa de gas Weber® verifique que no existan fugas de gas o obstrucciones en el quemador. Vea en este manual las instrucciones para los procedimientos correctos.
- ⚠ No opere la barbacoa de gas Weber® si existe una fuga de gas.
- ⚠ No utilice una llama abierta para comprobar la existencia de fugas de gas.
- ⚠ Nunca debe haber materiales combustibles a una distancia menor de 24 pulgadas (60 cm) de la parte superior, inferior, trasera o lateral de su asador de gas Weber®.
- ⚠ No coloque una funda para barbacoas ni cualquier otra artículo inflamable sobre o dentro del área de almacenaje ubicada debajo del asador.
- ⚠ Nunca permita que los niños usen la barbacoa de gas Weber®. Algunas partes accesibles de la barbacoa pudieran estar muy calientes. Mantenga alejados a los niños pequeños mientras ésta se esté usando.
- ⚠ Usted debe proceder con razonable cuidado al usar su barbacoa de gas Weber®. Ésta estará caliente al cocinarse en ella o al limpiarla, y nunca deberá dejarse desatendida o moverse mientras esté funcionando.
- ⚠ Si llegasen a apagarse los quemadores, cierre todas las válvulas de gas. Abra la tapa y espere cinco minutos antes de tratar de volver a encender la barbacoa, usando las instrucciones de encendido en este manual.
- ⚠ No use carbón o piedra pómez en su barbacoa de gas Weber®.
- ⚠ No se incline sobre la barbacoa abierta o coloque las manos o dedos en el borde delantero de la caja de cocción.
- ⚠ Si la grasa llegase a agarrar fuego, apague todos los quemadores y mantenga la tapa cerrada hasta que se haya apagado el fuego.
- ⚠ Al limpiar las válvulas o los quemadores, no ensanche los orificios de las válvulas o las aberturas de los quemadores.
- ⚠ La barbacoa de gas Weber® deberá limpiarse a fondo regularmente.
- ⚠ El propano licuado no es gas natural. El uso de gas natural en una unidad de propano licuado o viceversa, propano licuado en una de gas natural, es peligroso y anulará su garantía.
- ⚠ Mientras opere la barbacoa, utilice guantes resistentes al calor.
- ⚠ Mantenga alejados de todas las superficie calientes a todo cordón eléctrico y a la manguera de suministro de combustible.
- ⚠ Los subproductos de la combustión producidos al usar este producto contienen sustancias químicas que son conocidas por el Estado de la California como causantes de cáncer, defectos de nacimiento, u otros daños reproductivos.
- ⚠ No use esta barbacoa a menos que todas sus partes estén colocadas en su sitio. La unidad debe ensamblarse correctamente de acuerdo con las instrucciones de ensamblaje.
- ⚠ Propuesta 65 Advertencia: El manipular los materiales de latón en este producto lo exponen al plomo, una sustancia química conocida por el estado de California como causante de cáncer, de defectos de nacimiento o de otros daños reproductivos. *(Lávese las manos después de manipular este producto.)*

ÚNICAMENTE UNIDADES DE GAS PROPANO LICUADO

- ⚠ Use el regulador que se suministra con la barbacoa de gas Weber®.
- ⚠ No trate de desconectar el regulador de gas o ninguna conexión de gas mientras esté funcionando la barbacoa.
- ⚠ Un cilindro de propano licuado abollado u oxidado pudiera ser peligroso y deberá ser revisado por su suplidor de propano licuado. No utilice ningún cilindro de propano licuado con una válvula dañada.
- ⚠ Aunque el cilindro de propano licuado pudiera aparentar estar vacío, algo de gas pudiera aún estar presente, por lo que el cilindro deberá transportarse y almacenarse tomando esta posibilidad en consideración.
- ⚠ Si usted ve, huele o escucha el silbido de un escape de gas del cilindro de propano licuado:
 1. Apártese del cilindro de propano licuado.
 2. No trate de corregir el problema usted mismo.
 3. Llame al cuerpo de bomberos local.

Weber-Stephen Products Co., (Weber) mediante la presente le garantiza al COMPRADOR ORIGINAL de esta barbacoa de gas Weber® que la misma estará libre de defectos en cuanto a materiales y fabricación a partir de la fecha de compra según lo siguiente:

Piezas coladas de aluminio	25-años (2 años para la pintura excluyendo la decoloración)
Cubierta de acero inoxidable,	25-años
Cubierta porcelanizada,	25-años
Cámara para asar	10-años (2 años para la pintura excluyendo la decoloración)
Tubos de acero inoxidable de los quemadores,	10-años
Parrillas de cocción de acero inoxidable,	5-años sin perforación por fuego u oxidación
Barra Flavorizer de acero inoxidable,	5-años sin perforación por fuego u oxidación
Parrillas de cocción de colado porcelanizado,	5-años sin perforación por fuego u oxidación
Parrillas de cocción porcelanizadas,	3-años sin perforación por fuego u oxidación
Barra Flavorizer porcelanizadas,	2-años sin perforación por fuego u oxidación
Qumeador infrarrojo del asador giratorio,	2-años
Todas la demás partes,	2-años

cuando se ensambla y opera de acuerdo a las instrucciones impresas que la acompañan.

Weber pudiese requerir prueba razonable de la fecha de compra. POR LO TANTO, DEBERÁ GUARDAR SU RECIBO O FACTURA DE VENTA.

Esta garantía limitada está limitada a la reparación o reemplazo de piezas que resultasen defectuosas bajo uso y servicio normal y las cuales al examinarse indiquen, a plena satisfacción de Weber, que efectivamente son piezas defectuosas. Antes de devolver cualquier parte, contacte al Representante de Atención al Cliente en su área, cuya información de contacto la encontrará en nuestro sitio web. Si Weber confirma el defecto y aprueba el reclamo, ésta elegirá reparar o reemplazar tal pieza sin cargo alguno. Si usted tiene que retornarnos las partes defectuosas, los gastos de transporte deben ser prepagados. Weber retornará las partes al comprador con transporte o franqueo prepagado.

Esta Garantía Limitada no cubre ninguna falla o problema de operación a causa de accidentes, abuso, mal uso, alteración, uso en aplicaciones indebidas, vandalismo, instalación inapropiada o mantenimiento o servicio inapropiados, o por no llevar a cabo el mantenimiento normal y rutinario, entre los que se incluyen, pero sin limitación, los daños causados por insectos dentro de los tubos quemadores, según se detalla en este manual del propietario.

Esta Garantía Limitada no cubre el deterioro o daños a causa de condiciones de tiempo inclemente tales como granizo, huracanes, terremotos o tornados ni tampoco la decoloración por exposición a sustancias químicas bien sea por contacto directo o por que las mismas contenidas en la atmósfera.

No existe ninguna otra garantía expresa que no sean las las acá indicadas y cualesquier garantías implícitas de comerciabilidad y aptitud de uso están limitadas en duración al tiempo de cobertura de esta expresa Garantía Limitada por escrito. Algunas regiones no permiten limitación alguna en el tiempo que una garantía implícita pueda durar, por lo que esta limitación pudiera no aplicarle a usted. Weber no se hace responsable de cualesquier daños especiales, indirectos o emergentes. Algunas regiones no permiten la exclusión o limitación de daños incidentales o emergentes, por lo que esta limitación o exclusión pudieran no aplicarle a usted.

Weber no autoriza a persona o empresa alguna a asumir en su nombre ninguna obligación o responsabilidad en relación con la venta, instalación, uso, retiro, devolución o reemplazo de sus equipos, y ninguna tal representación será vinculante para Weber.

Esta Garantía aplica solo a aquellos productos vendidos al por menor.

WEBER-STEPHEN PRODUCTS CO.
Customer Service Center
1890 Roselle Road, Suite 308
Schaumburg, IL 60195
USA

Para partes de repuesto llame a:
1-800-446-1071
www.weber.com®

Para compras hechas en México
WEBER-STEPHEN PRODUCTS S.A. de C.V.
Marcella No. 338,
Colonia Americana
44160 México, C.P.
México

Para partes de repuesto llame a:
(52) (33) 3615-0736
www.weber.com®

OPERACIÓN

El suministro de gas propano licuado es fácil de usar y le da más control al cocinar que el carbón.

- Estas instrucciones le indicarán los requisitos mínimos para ensamblar su barbacoa de gas Weber®. Por favor lea cuidadosamente las instrucciones antes de utilizar su barbacoa de gas Weber®. Un ensamblaje incorrecto puede ser peligroso.
- No debe ser usada por niños.
- Si existiesen códigos locales que aplicasen para barbacoas de gas portátiles, usted deberá acatarlos. La instalación debe acatar los códigos locales o, en la ausencia de estos, bien sea con el código nacional de gases combustibles “National Fuel Gas Code, ANSI Z223.1/NFPA 54”, el código para las instalaciones de gas natural y propano “Natural Gas and Propane Installation Code, CSA B149.1” o el código de manejo y almacenaje de propano “Propane Storage and Handling Code, B149.2”, según apliquen.
- Debe usarse el regulador de presión suministrado con la barbacoa de gas Weber®. Este regulador está ajustado para una presión de 11 pulgadas de columna de agua.
- Esta barbacoa de gas Weber® está diseñada para ser usada exclusivamente con gas propano licuado (LP). No lo use con gas natural (suministrado a través de tuberías en las ciudades). Las válvulas, los orificios, la manguera y regulador son solamente para gas propano licuado.
- No la use con combustible de carbón.

- Asegúrese de que el área debajo del panel de control y la bandeja inferior no tenga desechos que pudiesen obstruir el flujo de aire de combustión o de ventilación.
- Las áreas alrededor del cilindro de gas de propano licuado deben estar libres y sin acumulación de desperdicios.
- Los reguladores de presión y los ensambles de manguera de reemplazo deberán ser los especificados por Weber-Stephen Products Co.

Para compras hechas en México

- Si hubiese códigos locales que se aplicasen a los asadores de gas portátiles, usted deberá cumplir con la más reciente edición de NOM.

PARA LA INSTALACIÓN EN CANADÁ

Esta instrucciones, aunque de manera general son aceptables, no necesariamente cumplen con los códigos de instalación canadienses, en particular en lo que respecta a tuberías bajo y sobre tierra. En Canadá la instalación de este artefacto debe cumplir con los códigos locales y/o la Norma CSA-B149.2 (Código de instalación de artefactos y equipos que queman propano).

- ⚠ **ADVERTENCIA: Sólo use esta barbacoa al aire libre en un área bien ventilada. No la use en un garaje, edificio, pasadizo techado o en cualquier otra área cerrada.**
- ⚠ **ADVERTENCIA: La barbacoa empotrada de gas Summit® no deberá usarse debajo de un techo o saliente combustible desprotegido.**
- ⚠ **ADVERTENCIA: No utilice la barbacoa con la parte superior, inferior, posterior, o lateral de la misma a menos de 24 pulgadas (610 mm) de distancia de materiales combustibles.**
- ⚠ **ADVERTENCIA: La caja de cocción entera se calienta al usarse. No la deje desatendida.**
- ⚠ **ADVERTENCIA: Mantenga a cualquier cordón eléctrico y a la manguera de suministro de gas alejados de toda superficie caliente.**
- ⚠ **ADVERTENCIA: Mantenga el área de cocinar libre de vapores y líquidos inflamables tales como gasolina, alcohol, etc. y de materiales combustibles.**
- ⚠ **ADVERTENCIA: Nunca almacene cilindros de propano licuado extra (de repuesto) debajo o cerca del asador de gas Weber®.**
- ⚠ **ADVERTENCIA: Mantenga limpios los orificios de ventilación de la caja del cilindro.**
- ⚠ **ADVERTENCIA: Cierre el suministro de gas en el cilindro de propano licuado cuando el artefacto para cocinar al aire libre no esté en uso.**
- ⚠ **ADVERTENCIA: Nunca guarde adentro un artefacto de gas para cocinar al aire libre sin haber antes desconectado y sacado del artefacto el cilindro de propano licuado.**
- ⚠ **ADVERTENCIA: Los tanques de propano licuado deben almacenarse al aire libre fuera del alcance de los niños y no deben almacenarse en edificaciones, garajes o cualquier otra área cerrada.**

ALMACENAJE Y/O NO USO

- Cuando la barbacoa de gas Weber® no esté usándose, el suministro de gas debe cerrarse a nivel del cilindro de propano licuado.
- El cilindro de propano licuado debe guardarse al aire libre en un área bien ventilada fuera del alcance de los niños. El cilindro desconectado de propano licuado no debe almacenarse dentro de ninguna edificación, garaje o área cerrada.
- Asegúrese de que el área debajo del panel de control y de la bandeja inferior corrediza no tengan desechos que pudiesen obstruir el flujo de aire de combustión o de ventilación.
- También deberá revisarse que la malla contra arañas e insectos no esté obstruida. (Vea la sección: “Mantenimiento Anual.”)

UBICACIÓN DEL GABINETE DEL TANQUE DE PROPANO LICUADO

Al seleccionar una ubicación adecuada para la instalación de su Gabinete para Tanques de Propano Licuado, preste atención a tales asuntos como la exposición al viento, la proximidad al paso de la gente y en mantener cualquier línea de suministro de gas lo más corta posible. Nunca coloque el Gabinete Summit® para Tanques de Propano Licuado en un garaje, pasadizo techado, cobertizo, bajo un voladizo desprotegido o cualquier área encerrada. Coloque el Gabinete para Tanques de Propano Licuado y la estructura en un sitio donde exista suficiente espacio para evacuarlo de manera segura en caso de un fuego.

SEPARACIÓN DE SUPERFICIES O ESTRUCTURA COMBUSTIBLES

⚠ ADVERTENCIA: La separación de las paredes exteriores de los lados y anverso del Gabinete para Tanques de Propano Licuado debe ser de por lo menos 24 pulgadas (610 mm) desde cualquier superficie. Antes de iniciar la instalación, refiérase a la “Instalación típica para el suministro de gas”.

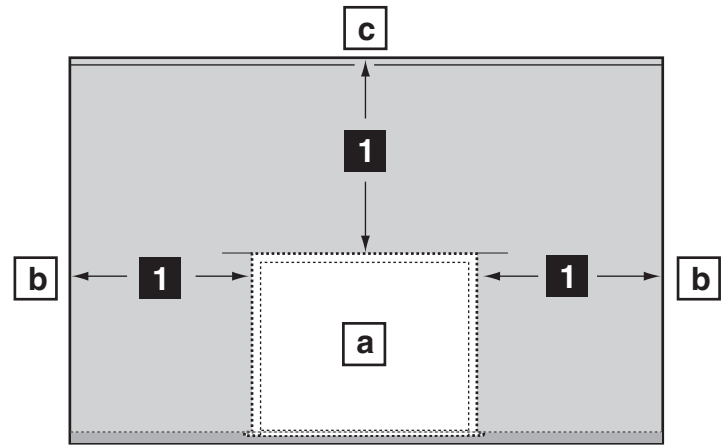
⚠ ADVERTENCIA: La estructura, las encimeras de la “isla” y las áreas de trabajo adyacentes a la instalación del Gabinete para Tanques de Propano Licuado deben construirse exclusivamente con materiales no combustibles.

NOTA: Si tuviese cualquier pregunta sobre que materiales son considerados no combustibles, póngase en contacto con su proveedor local de materiales de construcción o con el cuerpo de bomberos.

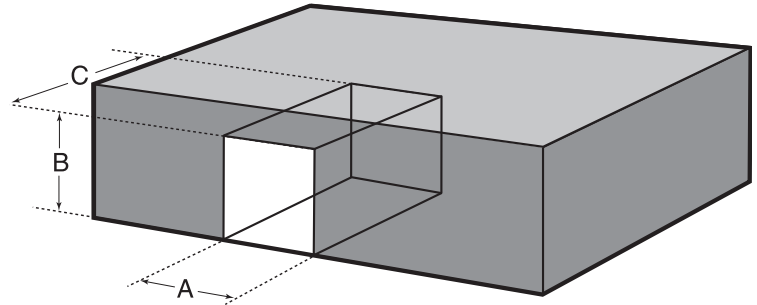
DIMENSIONES DEL CORTE DE LA ESTRUCTURA EMPOTRADA

Todas las dimensiones son con respecto a las superficies acabadas.

⚠ ADVERTENCIA: Todas las superficies de acabado de las encimeras deben construirse con materiales no combustibles.



DIMENSIONES DE CORTE DEL EMPOTRAMIENTO	
	S-440, S-640
1	24" (610 mm) mínimo*
a.	Gabinete para tanques de propano licuado
b.	Cualquier superficie
c.	Superficie no combustible



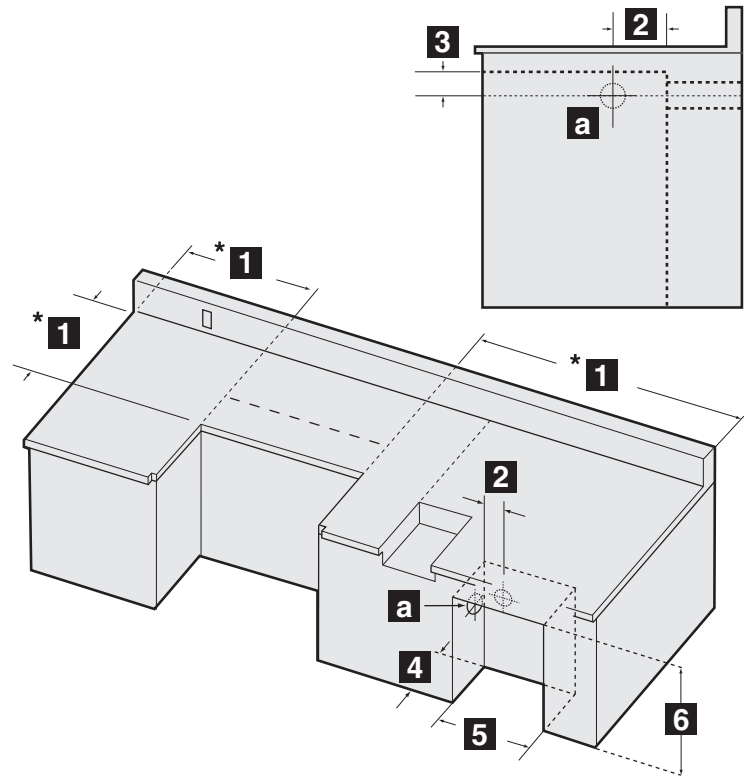
DIMENSIONES DE CORTE DEL GABINETE DEL TANQUE		
	S-440	TOLERANCIAS
A	20 ³ / ₄ " (527.05 mm)	+ ¹ / ₄ " - ¹ / ₄ " (6.35mm)
B	27 ¹ / ₂ " (698.5 mm)	+ ¹ / ₄ " - ¹ / ₄ " (6.35mm)
C	14" (355.6 mm)	+ ¹ / ₄ " - ¹ / ₄ " (6.35mm)

UBICACIONES DE LAS LÍNEAS DE GAS EMPOTRADAS

DETALLES GENERALES DE CONSTRUCCIÓN

- La unidad empotrada Summit® y todos los demás accesorios deberán estar en el lugar antes de comenzar la construcción.
- Todas las dimensiones tienen una tolerancia de más o menos (+/-) 1/4 de pulgada (6.4 mm).

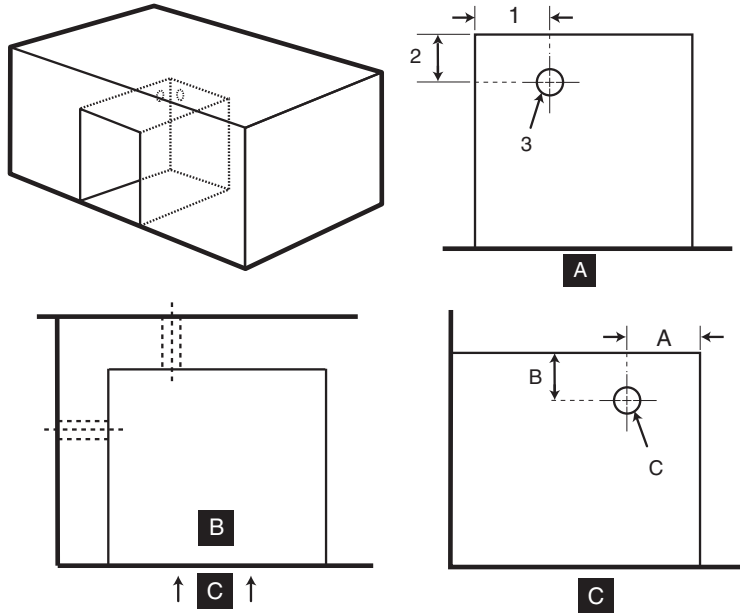
DIMENSIONES DE CORTE DEL EMPOTRAMIENTO		
S-440, S-640		
DIMENSIONES	1	24" (610 mm) mínimo*
	2	5" (127 mm)
	3	2 1/2" (63.5 mm)
	4	14" (355.6 mm)
	5	20 3/4" (527.1 mm)
	6	27 1/2" (698.5 mm)
	a.	Entrada del gas
* La separación de cualquier superficie o estructura de ser de por lo menos 24" (610mm) desde la parte posterior y los lados de la barbacoa o el quemador lateral.		



UBICACIONES DE LAS LÍNEAS DE GAS EMPOTRADAS

La zona no deberá tener superficies afiladas, dentadas o muy abrasivas a fin de evitar posibles daños a las líneas de suministro de gas. Tenga cuidado al halar las líneas de gas a través de la estructura de empotramiento.

DIMENSIONES DE LA LÍNEA DE GAS DEL GABINETE DEL TANQUE DE



PROPANO LICUADO

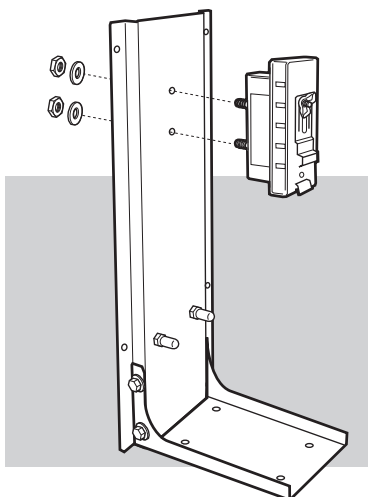
La zona no deberá tener superficies afiladas, dentadas o muy abrasivas a fin de evitar posibles daños a las líneas de suministro de gas. Tenga cuidado al halar las líneas de gas a través de la estructura de empotramiento.

DIMENSIONES DE LA LÍNEA DE GAS		
	GABINETE DEL TANQUE	TOLERANCIAS
1	5" (127 mm)	+ 1/4" - 1/4" (6.35mm)
2	2 1/2" (63.5 mm)	+ 1/4" - 1/4" (6.35mm)
3	2 3/4" (69.85 mm)	+ 1/4" - 1/4" (6.35mm)
A	Vista frontal	
B	Vista en planta	
C	Vista lateral	
D	Parte frontal de la estructura del gabinete del tanque de propano licuado	

1

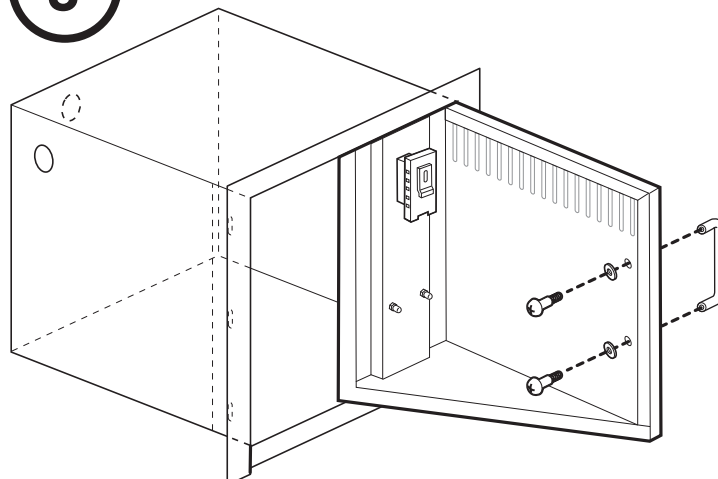
MONTAJE DEL SOPORTE DEL TANQUE DE PROPANO LICUADO

Retire la báscula del tanque del soporte de la caja del tanque (empacado con la barbacoa).



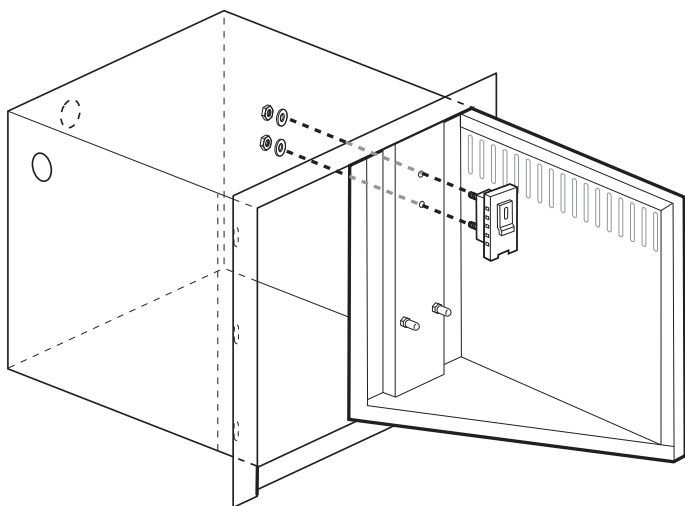
3

Instale el asa de la puerta



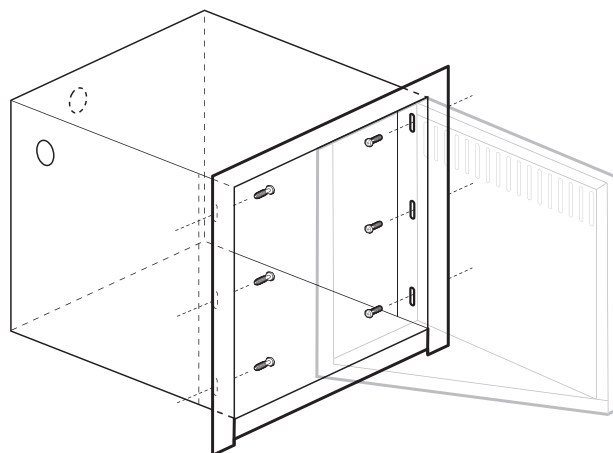
2

Instale la báscula del tanque en el anaqueel de la puerta del gabinete del tanque.



4

Dentro del marco de la puerta se encuentran orificios de montaje para fijar el gabinete del tanque de propano licuado a la estructura tipo "isla". Asegúrese de montar el gabinete del tanque de propano licuado antes de usarse.



CONECTAR EL SUMINISTRO DE GAS

Con la barbacoa se suministra una línea corrugada de gas de 58 pulgadas (147.32 cm). Esta línea necesita pasar a través de la abertura de la entrada de gas al suministro principal de gas.

- 1) Conecte la línea corrugada de gas al múltiple ubicado en el lado derecho de la barbacoa debajo del panel de control. Utilice la empaquetadura abocinada de 1/2" (1) para asegurar un sellado correcto.

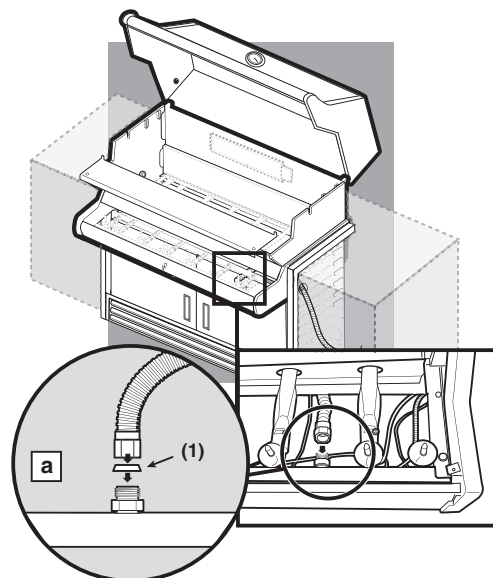
Nota: Se incluyen empaquetaduras abocinadas de 1/2" (12.7 mm) con el gabinete empotrado Summit® para tanques (#21280) o con la barbacoa.

La línea corrugada pasa a través de la cavidad de la "estructura tipo isla" hacia la conexión del regulador dentro del gabinete empotrado Summit® para tanques (#21280) o a la manguera y el regulador dentro de la caja del tanque. (Mostrado a continuación)

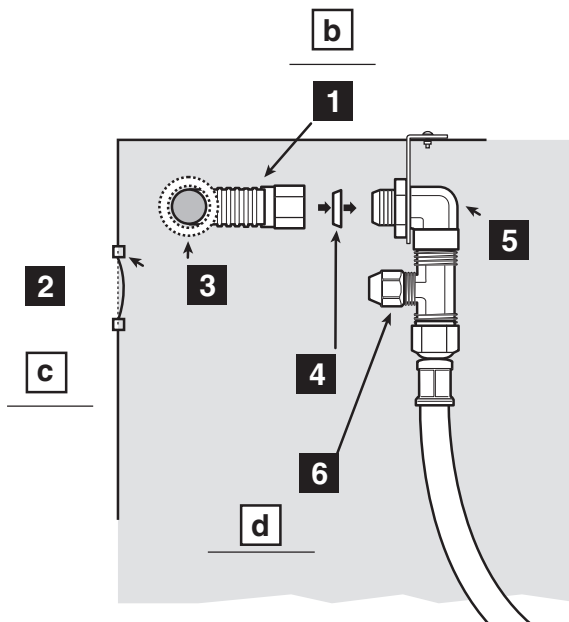
- 2) Retire la tapa de una conexión abocinada tipo "flare" de la conexión de 90° ubicada dentro de la caja empotrada para tanques Summit®
- 3) Utilice la empaquetadura abocinada de 1/2" (12.7 mm) para asegurar un sellado correcto.

NOTA: Si está instalando el quemador lateral opcional, utilice sólo la empaquetadura abocinada de 3/8 de pulgada (9.53 mm).

- 4) Conecte la línea corrugada de gas a la conexión de 90°.



DIMENSIONES DE CORTE DEL EMPOTRAMIENTO	
S-440, S-640	
1	Línea corrugada de gas al múltiple
2	Taponar el orificio sin utilizar con el tapón suministrado
3	Use un pasamuros para el orificio de la línea de gas
4	Empaquetadura abocinada de 1/2" (12.7mm)
5	Conexión de 90°
6	Tapa (quemador lateral opcional)
a.	Vista superior
b.	Parte superior de la caja
c.	Parte posterior de la caja
d.	Vista lateral



INFORMACIÓN IMPORTANTE SOBRE EL CILINDRO DE PROPANO LICUADO

El no acatar estrictamente estos avisos de **PELIGRO** pudiera resultar en un fuego letal o causar lesiones serias.

⚠ PELIGRO

⚠ **NUNCA** almacene un cilindro de gas propano licuado de reserva debajo o cerca de esta barbacoa.

⚠ **NUNCA** llene el tanque más allá de un 80% lleno.

Su barbacoa de gas Weber® está equipada para usarse con un sistema de suministro desde cilindros diseñado para el retiro del vapor.

⚠ **ADVERTENCIA:** Solamente use esta barbacoa en un área

bien ventilada al aire libre. No la use en un garaje, edificio, pasadizo techado o en cualquier otra área cerrada.

Las maneras correctas para llenar su cilindro son por peso o por volumen, según se describe en la norma NFPA-58. Por favor asegúrese de que su estación de llenado llene su cilindro de gas propano licuado midiendo el peso o el volumen. Pídale al personal de la estación de llenado que lean las instrucciones sobre cómo purgar y llenar el cilindro de gas propano licuado antes de tratar de llenarlo.

PREPARATIVOS PARA LA BÚSQUEDA DE FUGAS

VERIFIQUE QUE TODAS LAS VÁLVULAS DE LOS QUEMADORES ESTÉN CERRADAS

Las válvulas son despachadas de fábrica en la posición "OFF" (cerradas), pero usted debe verificarlo para asegurarse de que efectivamente estén cerradas. Verifíquelos presionándolas hacia abajo y girándolas hacia la derecha. Si no giran, están cerradas. Proceda al paso siguiente. Si sí girasen, continúe girándolas hacia la derecha hasta que paren; allí estarán cerradas. Proceda al paso siguiente.

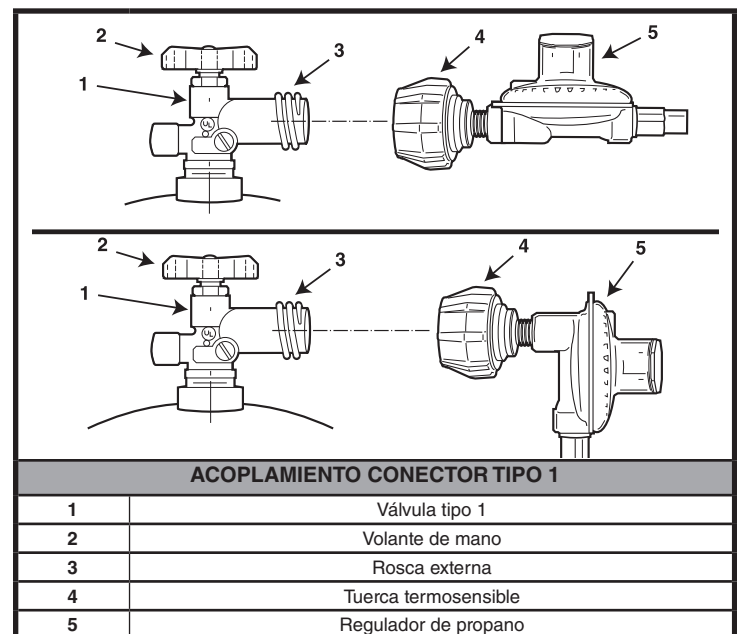
CONEXIÓN DEL CILINDRO DE PROPANO LICUADO

Todos los reguladores de las barbacoas Weber® de gas propano licuado están equipados con una conexión de tanque certificada por los laboratorios UL de acuerdo a la más reciente edición de la norma ANSI Z21.58. Esto requerirá un tanque de propano licuado que esté igualmente equipado con una conexión Tipo 1 en la válvula del tanque. Este acoplamiento Tipo 1 permite realizar una conexión rápida y totalmente segura entre la barbacoa de gas y el tanque de propano licuado. El mismo elimina la posibilidad de fugas debido a una conexión POL que no esté debidamente apretada. El gas no fluirá del tanque a menos que el acoplamiento Tipo 1 esté completamente embebido dentro del acoplamiento.

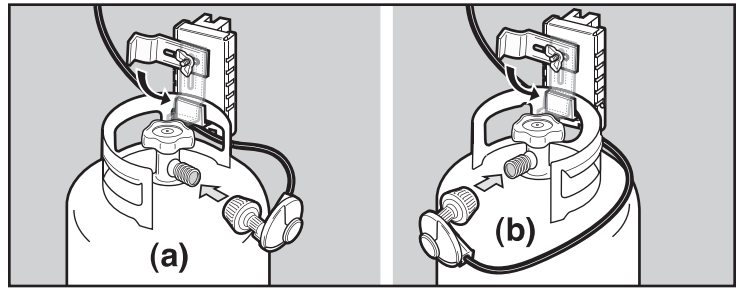
⚠ **ADVERTENCIA:** Asegúrese de que la válvula del cilindro de propano licuado esté cerrada. Ciérrela girándola en la dirección de las manecillas del reloj.

⚠ PELIGRO

No utilice una llama abierta para comprobar si existen fugas de gas. Asegúrese de que no haya chispas o llamas abiertas en el área mientras comprueba si existen fugas. Chispas o llamas causarían un fuego o explosión, las cuales pueden causar serias lesiones corporales o la muerte, y daños a la propiedad.



Algunos tanques de propano licuado tienen ensambles diferentes del collarín superior. (El collarín superior es el aro protector de metal alrededor de la válvula.) Una serie de tanques se ensambla con la válvula hacia adelante (a). Los demás tanques se ensamblan con la válvula viendo en dirección contraria a la báscula de combustible (b). Weber® recomienda el uso de cilindros fabricados por las empresas Manchester y Worthington, con una capacidad de 47.6 libras de agua. Otros cilindros pudieran ser aceptables para su uso con este artefacto siempre y cuando sean compatibles con el mecanismo de retención del artefacto (vea la Ilustración para detallar el punto de contacto del mecanismo de retención).



El cilindro de propano licuado está instalado dentro de la caja o gabinete del tanque, sobre la báscula del tanque.

- 1) Gire el cilindro de propano licuado de manera que la abertura de la válvula esté viendo hacia la parte frontal, lateral o posterior de la barbacoa de gas Weber®. Levante y guinde el cilindro del indicador de nivel de combustible.
- 2) Levante el tanque y colóquelo en posición sobre la báscula del tanque.
- 3) Afloje la tuerca de orejas del seguro del cilindro. Gire el seguro del cilindro hacia abajo. Apriete la tuerca de orejas.

Para conectar la manguera al cilindro:

- 4) Retire la cubierta antipolvo de plástico de la válvula.
- 5) Enrosque el acoplamiento del regulador a la válvula del tanque, en el sentido de las agujas del reloj o hacia la derecha. Sólo apriete a mano.

Nota: Esta conexión se aprieta hacia la derecha y no permitirá que el gas fluya a menos que la conexión esté apretada. La conexión sólo requiere apretarse a mano.

⚠ ADVERTENCIA: No use una llave para apretar la conexión. Si usa una llave, podría dañar el acoplamiento del regulador y causar una fuga.

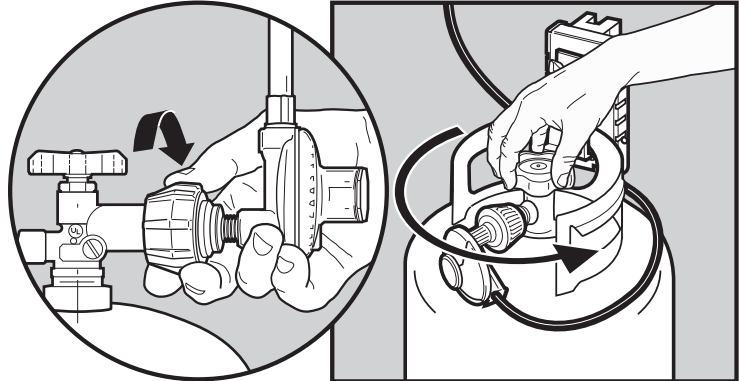
Usted necesitará: El cilindro de propano licuado, una solución de agua y jabón y un trapo o una brocha para aplicarla.

- 6) Mezcle el agua y jabón.
- 7) Abra la válvula del cilindro.
- 8) Verifique que no existan fugas mojando las conexiones con la solución de agua y jabón y viendo si se generan burbujas. Si se forman burbujas, o si una burbuja crece, es que hay una fuga.

Si hay una fuga, cierre el gas y apriete la conexión. Abra el gas de nuevo y con la solución de jabón y agua vuelva a verificar que no existan fugas.

Si la fuga no cesa no utilice la barbacoa. Contacte al Representante de Atención al Cliente en su área utilizando la información de contacto en nuestro sitio web. Conéctese a www.weber.com®.

- 9) Cuando se haya completado la comprobación de que no existen fugas de gas, cierre el suministro de gas en la fuente y enjuague las conexiones con agua.



COMPRUEBE QUE NO HAYA FUGAS DE GAS

Después de un cierto tiempo sin uso, por su seguridad le recomendamos que lleve a cabo el siguiente procedimiento de mantenimiento.

⚠ ADVERTENCIA: Inspeccione la manguera previo a cada uso de la barbacoa y asegúrese de que no tenga muescas, grietas, abrasiones o cortes. Si se encontrase que la manguera estuviese dañada de cualquier manera, no utilice la barbacoa. Reemplácela solamente con una manguera de repuesto autorizada Summit®. Póngase en contacto con Atención al Cliente para barbacoas empotradas Summit® a través del 1-800-446-1071.

- Inspeccione el quemador para asegurarse de que esté produciendo el patrón de llamas correcto. Límpielo si fuese necesario, siguiendo los procedimientos indicados en la sección de "Mantenimiento General" de este manual.
- Revise todas las conexiones de gas para asegurarse de que no haya fugas.

⚠ PELIGRO

No utilice una llama abierta para comprobar si existen fugas de gas. Asegúrese de que no haya chispas o llamas abiertas en el área mientras comprueba si existen fugas. Chispas o llamas causarían un fuego o explosión, las cuales pueden causar graves lesiones corporales o la muerte, y daños a la propiedad.

⚠ ADVERTENCIA: Cada vez que conecte o desconecte una conexión de gas, deberá verificar que no hayan fugas de gas.

Nota - Todas las conexiones hechas en la fábrica han sido revisadas a fondo para asegurarse de que no existan fugas. Los quemadores han sido probados con las llamas encendidas. Como medida de precaución, sin embargo, usted deberá volver a revisar todas las conexiones en busca de fugas antes de utilizar su barbacoa de gas Weber®. Durante el manejo y despacho puede haberse alojado o dañado alguna conexión de gas.

⚠ ADVERTENCIA: Lleve a cabo estas verificaciones de fugas aun y cuando su barbacoa haya sido ensamblada por el distribuidor o en la tienda donde la compró.

Usted necesitará: una solución de agua y jabón y un trapo o una brocha para aplicarla.

Nota - Dado que algunas soluciones para la detección de fugas, incluyendo el agua y jabón, pueden ser ligeramente corrosivas, todas las conexiones deberán enjuagarse con agua después de realizar la búsqueda de fugas.

Asegúrese de que el quemador lateral esté APAGADO.

Para realizar la comprobación de que no existen fugas: abra la válvula del cilindro girando el manubrio de ésta hacia la izquierda.

⚠ ADVERTENCIA: No encienda los quemadores mientras esté verificando la existencia de fugas.

Compruebe la existencia de fugas mojando las conexiones con la solución de agua y jabón y viendo si se generan burbujas. Si se forman burbujas o si una burbuja crece, existe una fuga.

Comprobación:

1) Línea de gas a la conexión "T"

2) Conexión del regulador al cilindro.

⚠ ADVERTENCIA: Si hubiese alguna fuga en una conexión (1), vuelva a apretar la conexión con una llave y vuelva a revisarla con la solución de agua y jabón.

Si una fuga persiste aún después de volver a apretar la conexión, CIERRE el gas. NO OPERE LA BARBACOA. Póngase en contacto con Atención al Cliente a través del 1-800-446-1071.

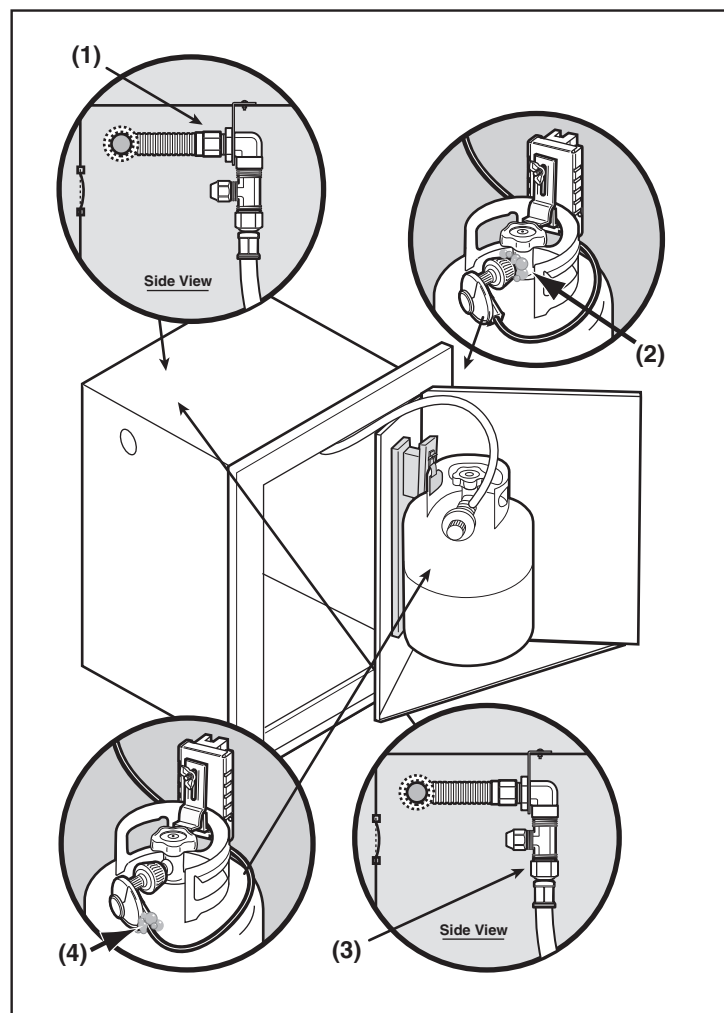
Verificar:

3) Conexiones de la conexión "T" a la manguera.

4) Conexión de la manguera al regulador

⚠ ADVERTENCIA: Si hubiese una fuga en las conexiones (2,3 o 4), cierre el gas. NO OPERE LA BARBACOA. Póngase en contacto con Atención al Cliente a través del 1-800-446-1071.

Cuando se haya completado la comprobación de las fugas de gas, CIERRE el suministro de gas en la fuente y enjuague las conexiones con agua.



⚠ ATENCIÓN: A este producto se le han realizado pruebas de seguridad y ha sido certificado para usarse en un país específico. Refiérase al país indicado en la parte externa del cartón de empaque.

Estas partes pueden ser componentes que transporten gas o lo quemen. Por favor póngase en contacto con el Departamento de Atención al Cliente de Weber-Stephen Products Co. para obtener información sobre las partes de repuesto Weber-Stephen Products Co. genuinas.

⚠ ADVERTENCIA: No trate de realizar reparación alguna a los componentes que transporten o quemen gas sin antes ponerse en contacto con el Departamento de Atención al Cliente de Weber-Stephen Products Co. Si no llegase a acatar esta advertencia, sus acciones podrían causar un fuego o una explosión que resulte en lesiones personales serias o la muerte o daños a la propiedad.

CÓMO RECARGAR EL CILINDRO DE PROPANO LICUADO

Le recomendamos que llene su cilindro de gas propano licuado antes de que éste se vacíe por completo.

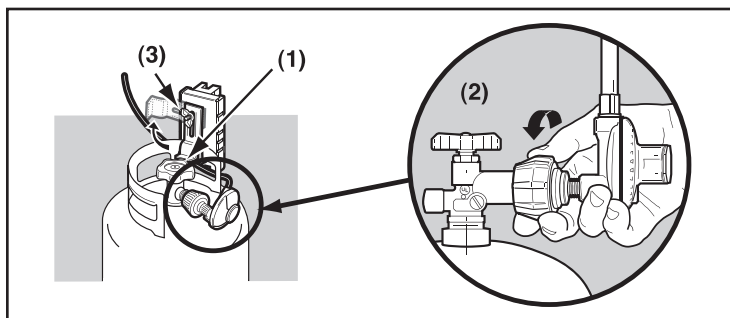
Cómo retirar el cilindro de gas propano licuado.

- 1) Cierre la válvula del tanque (gire en el sentido de las agujas del reloj).
- 2) Desenrosque el cople del regulador girándolo, solamente a mano, en sentido contrario a las agujas del reloj.
- 3) Afloje la tuerca de mariposa del seguro del cilindro y y voltee el seguro hacia arriba para que no moleste.
- 4) Levante el cilindro del soporte.

Para llenar un cilindro de gas propano, llévelo a un expendedor de gas propano, o busque a otros suplidores bajo "gas propano" en el directorio telefónico.

⚠ ADVERTENCIA: Recomendamos llenar su cilindro de gas propano licuado con un distribuidor de gas propano autorizado que tenga un encargado debidamente calificado y que llene el tanque en base a peso. EL LLENADO INCORRECTO ES PELIGROSO

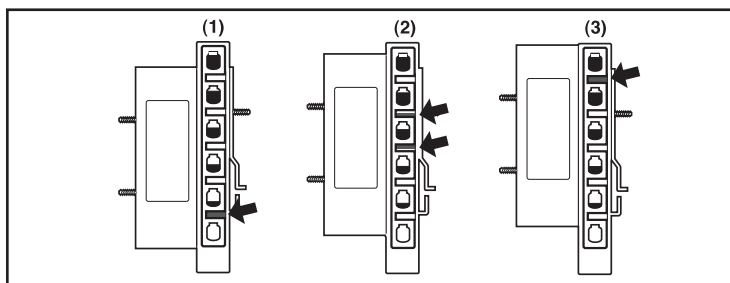
⚠ PRECAUCIÓN: Siempre que el cilindro esté sin usarse, coloque la capucha antipolvo sobre el la salida de la válvula del mismo. Sólo instale sobre la salida de la válvula el tipo de capucha antipolvo con la que vino provista la misma. Otros tipos de capuchas o tapones pudieran causar fugas de propano.



CÓMO VERIFICAR EL NIVEL DE COMBUSTIBLE EN SU TANQUE

Verifique el nivel de combustible viendo la línea de color indicadora del nivel ubicada al lado de la báscula del tanque.

- 1) Vacío
- 2) Medio
- 3) Lleno



SUGERENCIAS PARA EL MANEJO SEGURO DE LOS CILINDROS DE GAS PROPANO LICUADO

- El gas propano licuado es un producto petrolero al igual que lo son la gasolina y el gas natural. El propano es un gas a temperaturas y presiones normales. Bajo presión moderada, dentro de un cilindro, el gas propano es un líquido. En la medida en que se libera la presión, el líquido se evapora fácilmente y se convierte en gas.
- El gas propano tiene un olor similar al gas natural. Usted deberá estar al tanto de este olor.
- El gas propano es más pesado que el aire. El gas propano proveniente de una fuga puede acumularse en áreas bajas y prevenir su dispersión.
- Para llenar un cilindro de gas propano, llévelo a un expendedor de gas propano, o busque a otros suplidores bajo "gas propano" en el directorio telefónico.

⚠ ADVERTENCIA: Recomendamos llenar su cilindro de gas propano licuado con un distribuidor de gas propano autorizado que tenga un encargado debidamente calificado y que llene el tanque en base a peso. EL LLENADO INCORRECTO ES PELIGROSO.

- Antes de su llenado inicial, el aire debe ser retirado de todo cilindro nuevo de propano licuado. Los distribuidores de propano licuado están equipados para hacerlo.
- El cilindro de propano licuado debe instalarse, transportarse y almacenarse en una posición parada. Los cilindros de propano licuado no deben dejarse caer o manipularse de manera brusca.
- Nunca almacene o transporte los cilindros de propano licuado en sitios donde la temperatura alcance los 125 ° F (52 ° C) (demasiado caliente para sostenerlo con la mano - por ejemplo: no deje un cilindro de gas propano dentro de un carro en un día caluroso).

Nota: Una llenada durará alrededor de 18 -20 horas de tiempo de cocción bajo uso normal. La escala de combustible indica el suministro de propano disponible de manera que pueda volver a llenar el tanque antes de éste vaciarse. No necesita vaciar el tanque completamente antes de volver a llenarlo.

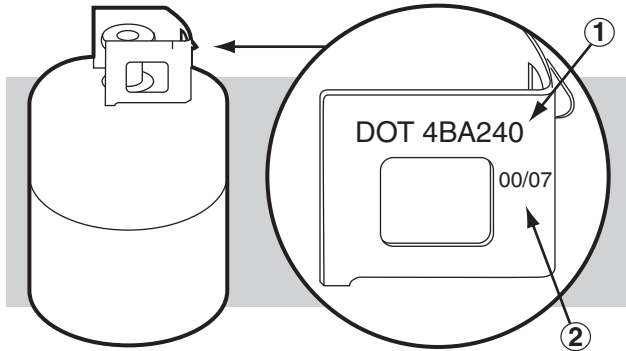
- Trate a los cilindros de propano licuado "vacíos" con el mismo cuidado que cuando están llenos. Aun cuando el tanque de gas propano no contenga líquido todavía puede haber presión del gas en el cilindro. **Siempre cierre la válvula del cilindro antes de desconectarlo.**

⚠ PRECAUCIÓN: Siempre que el cilindro esté sin usarse, coloque la capucha antipolvo sobre el la salida de la válvula del mismo. Sólo instale sobre la salida de la válvula el tipo de capucha antipolvo con la que vino provista la misma. Otros tipos de capuchas o tapones pudieran causar fugas de propano.

- No use ningún cilindro de propano licuado dañado. Cilindros de propano licuado abollados u oxidados o con la válvula dañada son peligrosos y deberán reemplazarse por uno nuevo inmediatamente.

CILINDRO(S) DE PROPANO LICUADO

- Cada vez que se reconecte un cilindro de propano licuado, se debe revisar que la unión por donde se conecta la manguera al cilindro no presente fugas. Por ejemplo, haga la prueba cada vez que se llena el cilindro de propano licuado.
- Asegúrese de que el regulador esté montado con el pequeño agujero respiradero viendo hacia abajo de manera que no se acumule agua en él. Este respiradero debe mantenerse libre de sucio, grasa, insectos, etc.
- Las conexiones de gas suministradas con la barbacoa de gas Weber® han sido



diseñadas para cumplir en un 100% con los requisitos de las normas CSA y ANSI.

⚠ ADVERTENCIA: Lo tanques de propano licuado de reemplazo deben tener conexiones compatibles con la del regulador suministrado con esta barbacoa.

REQUISITOS DE LOS CILINDROS DE PROPANO LICUADO

- Asegúrese de que los cilindros tengan una certificación del D.O.T. (Departamento de Transporte) (1), y que la fecha en que fueron probados (2) no sea de más de cinco años atrás. Su proveedor de propano licuado puede hacerlo por usted.
- Todos los sistemas de tanques de suministro de propano licuado deben incluir un collar que proteja la válvula del cilindro.
- El cilindro de gas debe tener un tamaño aproximado de 20 lb.. (18¼ pulgadas de alto, 12¼ pulgadas de diámetro).
- Los cilindros deben construirse y marcarse de acuerdo con las "Especificaciones para cilindros de gas propano licuado" del Departamento de Transporte (D.O.T.) de los EE.UU. o la Norma Nacional Canadiense "CAN/CSA-B339, Cilindros, esferas y tubos" o "Transporte de bienes peligrosos"; y Comisión, según aplique.

EN CANADÁ

REQUISITOS DE LOS CILINDROS DE PROPANO LICUADO

Nota: Su proveedor de venta al por menor puede ayudarle a buscar un tanque de reemplazo para su barbacoa.

- El cilindro de propano licuado debe estar construido y marcado de acuerdo con las especificaciones para cilindros de gas propano licuado, T.C.

LOCALIZACIÓN DE FALLAS RELACIONADAS CON EL GABINETE DEL TANQUE

PROBLEMA	REVISAR	REMEDIO
Los quemadores no se encienden.	¿Está cerrado el suministro de gas?	Abra el suministro de gas.
La llama se mantiene baja en la posición HIGH (fuego alto).	¿Está doblada la manguera de combustible?	Enderece la manguera de combustible.
Los quemadores no se encienden o presentan un pequeña llama oscilante en la posición HIGH (fuego alto), o la temperatura de la barbacoa apenas alcanza 250° a 300°F en dicha posición.	Puede haberse activado el dispositivo de seguridad contra el caudal excesivo, el cual es parte de la conexión del asador al cilindro.	Para restablecer el dispositivo de seguridad contra el caudal excesivo gire todos las perillas de control del quemador a la posición OFF (apagadas) y cierre la válvula del cilindro. Desconecte el regulador del cilindro. Gire las perillas de control del quemador a la posición HIGH (fuego alto). Espere por lo menos 1 minuto. Gire las perillas de control a la posición OFF (apagadas). Vuelva a conectar el regulador del cilindro. Abra la válvula del cilindro lentamente. Refiérase a las "Instrucciones de encendido".
Si los problemas no pueden corregirse usando cualquiera de estos métodos, por favor contacte al Representante de Atención al Cliente en su área usando la información de contacto en nuestro sitio web. Conéctese a www.weber.com .		



WEBER-STEPHEN PRODUCTS CO.

www.weber.com

©2005- The following trademarks are registered in the name of Weber-Stephen Products Co., an Illinois corporation, located at 200 East Daniels Road, Palatine, Illinois 60067 U.S.A. Australia; Smokey Joe, Weber, Kettle Silhouette®, Genesis, Austria; Kettle Silhouette®, Smokey Joe, Weber, Benelux; Kettle Silhouette®, Smokey Joe, Weber, Compact Grill Configuration, Botswana; Weber, Canada; Smokey Joe, Genesis, China; Kettle Silhouette®, Denmark; Kettle Silhouette®, Smokey Joe, Weber, Finland; Smokey Joe, France; Kettle Silhouette®, Smokey Joe, Weber, One-Touch, Germany; Smokey Joe, Weber, One-Touch, Greece; Smokey Joe, Ireland; Kettle Silhouette®, Smokey Joe, Italy; Smokey Joe, Weber, Japan; Smokey Joe, Weber, Korea; Smokey Joe, Weber, New Zealand; Weber, Smokey Joe, Nigeria; Weber, Norway; Smokey Joe, Weber, Portugal; Weber, South Africa; Smokey Joe, Weber, Kettle Configuration, Spain; Smokey Joe, Weber, Sweden; Kettle Silhouette®, Smokey Joe, Switzerland; Kettle Silhouette®, Smokey Joe, Weber, United Kingdom; Smokey Joe, Weber, Weber One-Touch, U.S.A.; Kettle Configuration, Kettle Silhouette®, Smokey Joe, Weber, One-Touch, Firespice, Go-Anywhere, U.S.A.; Kettle Configuration, Kettle Silhouette, Genesis, Flavorizer, Crossover, Flamgo, Performer, Rapidfire, Tuck 'N Carry, Jumbo Joe, Bar-B-Kettle, Master-Touch, Spirit, Grill Out, Summit, Platinum, 1-800-Grill-Out, Ranch, Matchless Flame, Zimbabwe; Weber, Kettle Configuration, Kettle Silhouette®. Printed in USA.

SUMMIT®



Guide d'installation/Mode d'emploi du Meuble de la bouteille de PL encastrée

#43176



CES ACCESSOIRES SONT VENDUS SEPAREMENT.

VOUS DEVEZ LIRE CE MODE D'EMPLOI AVANT D'UTILISER VOTRE GRILL A GAZ

⚠ DANGER

S'il y a une odeur de gaz:

1. Coupez l'admission de gaz de l'appareil.
2. Éteindre toute flamme nue.
3. Ouvrir le couvercle.
4. Si l'odeur persiste, éloignez-vous de l'appareil et appelez immédiatement le fournisseur de gaz ou le service d'incendie.

Une fuite de gaz risque de provoquer un incendie ou une explosion susceptible d'occasionner des blessures graves, voire mortelles, ou des dégâts matériels.

NOTE A L'INTENTION DE L'INSTALLATEUR:

Les présentes instructions doivent être remises au propriétaire et le propriétaire devrait les conserver pour les utiliser plus tard.

CET APPAREIL A GAZ EST CONCU POUR UNE UTILISATION EN EXTERIEUR UNIQUEMENT.

⚠ **MISE EN GARDE:** Suivez toutes les procédures de détection des fuites de ce manuel avec soin avant d'utiliser le barbecue. Faites-le même si le barbecue a été assemblé par le revendeur.

⚠ AVERTISSEMENT:

1. Ne pas entreposer ni utiliser de l'essence ni d'autres vapeurs ou liquides inflammables dans le voisinage de l'appareil, ni de tout autre appareil.
2. Une bouteille de propane qui n'est pas raccordée en vue de son utilisation, ne doit pas être entreposée dans le voisinage de cet appareil ou de tout autre appareil.

⚠ **MISE EN GARDE:** N'essayez pas d'allumer cet appareil sans lire la section des "Instructions pour l'allumage" de ce manuel.



⚠ DANGER

Le non respect des consignes intitulées Danger, Mise en garde et Attention contenues dans le présent Mode d'emploi peut entraîner une blessure grave ou la mort, ou un incendie ou une explosion provoquant des dommages à la propriété.

⚠ MISES EN GARDE

- ⚠ Ne stockez pas de bouteille de gaz propane liquide de rechange ou de bouteille de gaz propane liquide débranchée au-dessous ou à proximité de ce barbecue.
- ⚠ Un mauvais montage peut se révéler dangereux. Veuillez suivre les instructions de montage avec soin.
- ⚠ Après une période de stockage et/ou d'inutilisation, le barbecue à gaz Weber® devrait faire l'objet d'une vérification visant à détecter toute fuite et toute obstruction des brûleurs avant toute utilisation. Voir les instructions de ce manuel pour les procédures correctes.
- ⚠ N'utilisez pas le barbecue à gaz Weber® en cas de fuite.
- ⚠ N'utilisez pas de flamme pour détecter les fuites de gaz.
- ⚠ Aucune matière inflammable ne devrait jamais se trouver dans un rayon de 24 pouces par rapport à l'arrière ou aux côtés de votre barbecue à gaz Weber®.
- ⚠ Ne placez pas de bâche de protection de barbecue ni aucune matière inflammable sur la barbecue ou dans la zone de stockage au-dessous du barbecue.
- ⚠ Votre barbecue à gaz Weber® ne devrait jamais être utilisé par des enfants. Les pièces accessibles du barbecue peuvent atteindre une température très élevée. Maintenez les jeunes enfants à l'écart pendant son utilisation.
- ⚠ Vous devriez faire preuve d'une prudence raisonnable lorsque vous utilisez votre barbecue à gaz Weber®. Celui-ci sera très chaud pendant la cuisson ou le nettoyage et ne devrait jamais être laissé sans surveillance ni déplacé pendant son utilisation.
- ⚠ Si les brûleurs s'éteignent pendant l'utilisation, fermez toutes les valves de gaz. Ouvrez le couvercle puis patientez cinq minutes avant d'essayer de rallumer les brûleurs, en utilisant les instructions pour l'allumage.
- ⚠ N'utilisez pas de charbon de bois ni de pierres de lave dans votre barbecue à gaz Weber®.
- ⚠ Ne vous penchez jamais au-dessus du grill ouvert ou ne placez jamais les mains ou les doigts sur l'extrémité avant du boîtier de cuisson.
- ⚠ Si un feu de graisse se produisait, fermez tous les brûleurs et laissez le couvercle fermé jusqu'à ce que le feu s'éteigne.
- ⚠ N'élargissez pas les orifices des valves ou les ports des brûleurs lorsque vous nettoyez les valves ou les brûleurs.
- ⚠ Le barbecue à gaz Weber® devrait être nettoyé méticuleusement de façon régulière.
- ⚠ Le gaz propane liquide n'est pas du gaz naturel. La conversion ou la tentative d'utilisation de gaz naturel dans un appareil à propane liquide ou de gaz propane liquide dans un appareil à gaz naturel est dangereuse et annulera votre garantie.
- ⚠ Utilisez des gants pour barbecue résistants à la chaleur lorsque vous utilisez le barbecue.
- ⚠ Maintenez tout cordon électrique d'alimentation ainsi que le tuyau d'alimentation en combustible à l'écart de toute surface chauffée.
- ⚠ Les dérivés de combustion générés lors de l'utilisation de ce produit contiennent des agents chimiques reconnus par l'Etat de Californie comme provoquant des cancers, des anomalies congénitales ou d'autres troubles de la reproduction.
- ⚠ N'utilisez ce barbecue que si toutes les pièces sont en place. Cet appareil doit être correctement assemblé conformément aux instructions de montage.
- ⚠ Proposition 65 Avertissement : Le fait de manipuler le matériau en laiton du produit vous expose au plomb, une matière qui selon l'Etat de Californie provoque des cancers, des pathologies congénitales ou d'autres pathologies similaires. (N'oubliez pas de vous laver les mains avant de manipuler ce produit.)

APPAREILS A GAZ PROPANE UNIQUEMENT:

- ⚠ Utilisez l'ensemble régulateur de pression et tuyau fourni avec votre barbecue à gaz Weber®.
- ⚠ Ne tentez pas de déconnecter l'ensemble régulateur et tuyau de gaz ni tout autre raccord de gaz pendant que vous utilisez votre barbecue.
- ⚠ L'utilisation d'une bouteille de gaz propane liquide comportant une bosse ou d'une bouteille rouillée peut être dangereuse et une telle bouteille devrait être vérifiée par votre fournisseur de propane. N'utilisez pas une bouteille de propane liquide dont la valve est détériorée.
- ⚠ Bien que votre bouteille de propane liquide puisse sembler vide, il est possible qu'elle contienne encore du gaz, et la bouteille devrait être transportée et stockée en conséquence.
- ⚠ Si vous voyez, sentez ou entendez du gaz s'échapper de la bouteille de propane liquide:
 1. Eloignez-vous de la bouteille de propane liquide.
 2. Ne tentez pas de corriger le problème vous-même.
 3. Appelez votre service incendie.

Weber-Stephen Products Co. (Weber) garantit par le présent document à l'ACHETEUR D'ORIGINE de ce grill à gaz Weber® que celui-ci ne comportera aucun défaut de pièce ni de main d'œuvre à compter de la date d'achat comme suit :

Fonte d'aluminium	25 ans (2 ans pour l'apport de toute décoloration)
Structure en acier inoxydable,	25 ans
Structure émaillée,	25 ans
Cuve,	10 ans (2 ans pour la peinture à l'exception de toute décoloration)
Tubes du brûleur en acier inoxydable,	10 ans
Grilles de cuisson en acier inoxydable,	5 ans sans trou provoqué par la rouille ou par une brûlure
Barres Flavorizer en acier inoxydable,	5 ans sans trou provoqué par la rouille ou par une brûlure
Grilles de cuisson en fonte fer émaillée,	3 ans sans trou provoqué par la rouille ou par une brûlure
Grilles de cuisson émaillées,	2 ans sans trou provoqué par la rouille ou par une brûlure
Barres Flavorizer émaillées,	2 ans
Brûleur de la rôtissoire à infrarouge,	2 ans
Toutes les autres pièces,	2 ans

à condition qu'il ait été assemblé et utilisé conformément aux instructions imprimées qui l'accompagnent.

Weber peut exiger une preuve raisonnable de votre date d'achat. VOUS DEVRIEZ DONC CONSERVER VOTRE TICKET DE CAISSE OU VOTRE FACTURE.

La présente Garantie limitée est limitée à la réparation ou au remplacement des pièces qui s'avèrent défectueuses dans le cadre d'une utilisation normale et d'un entretien normal et dont l'examen indique, à la satisfaction de Weber, qu'elles sont défectueuses. Avant de retourner toute pièce, veuillez entrer en contact avec le Représentant du Service clientèle le plus proche grâce aux coordonnées à votre disposition sur notre site Internet. Si Weber confirme le défaut et approuve la demande, Weber choisira de remplacer ces pièces sans frais. S'il vous est demandé de retourner les pièces défectueuses, les frais de transport devront être prépayés. Weber retournera les pièces à l'acheteur, franco de port.

La présente Garantie limitée ne couvre pas toute défaillance ou difficulté d'utilisation provoquée par un accident, une utilisation abusive, une mauvaise utilisation, une altération, une mauvaise application, un acte de vandalisme, une installation incorrecte ou une maintenance ou un entretien incorrects, ou le défaut d'entretien normal et régulier, y compris mais pas seulement les dommages provoqués par des insectes à l'intérieur des tubes du brûleur, tel que décrit dans le présent mode d'emploi.

Toute détérioration ou tout dommage résultant de conditions météorologiques graves comme de la grêle, des ouragans, des séismes ou des tornades, toute décoloration résultant d'une exposition à des agents chimiques directement ou dans l'atmosphère, n'est pas couverte dans le cadre de la présente Garantie limitée.

Il n'existe aucune autre garantie expresse hormis celles exposées dans le présent document et toute garantie de commercialisation et de bon état induite est limitée en durée à la période de couverture de la présente Garantie limitée écrite expresse. Certaines régions n'autorisent pas de limitation de durée de la garantie induite ; il est donc possible que cette limitation ne s'applique pas à vous.

Weber ne peut être tenu pour responsable de tout dommage particulier, induit ou se produisant par voie de conséquence. Certaines régions n'autorisent pas l'exclusion ou la limitation des dommages indirects ou se produisant par voie de conséquence ; il est donc possible que cette limitation ou exclusion ne s'applique pas à vous.

Weber n'autorise aucune personne ou société à présumer en son nom de toute autre obligation ou responsabilité en relation avec la vente, l'installation, l'utilisation, le retrait, le retour ou le remplacement de ses équipements ; et aucune de ces représentations ne lie Weber.

La présente Garantie s'applique uniquement aux produits vendus au détail.

WEBER-STEPHEN PRODUCTS CO.

Product Registration
P.O. Box 40530
Burlington, ON L7P 4W1

Pour des pièces de rechange, appelez le :

1-800-265-2150
www.weber.com®

UTILISATION

Ce grill à gaz Propane liquide (PL) est facile à utiliser et vous permet de contrôler davantage la cuisson par rapport à un grill à charbon.

- Ces instructions vous fourniront les bases minimales nécessaires pour l'assemblage de votre barbecue à gaz Weber®. Veuillez lire attentivement les instructions avant d'utiliser votre barbecue à gaz Weber®. Un mauvais montage pourrait se révéler dangereux.
- Ne convient pas à une utilisation par des enfants.
- Si des codes régionaux s'appliquent aux grills à gaz portatifs, vous devrez les respecter. L'installation doit être conforme aux codes régionaux ou, en l'absence de tels codes, avec le Code national du gaz combustible, ANSI Z223.1/NFPA 54, le Code relatif aux installations de gaz naturel et de propane, CSA B149.1, ou au Code relatif au stockage et à la manipulation de propane, B149.2 le cas échéant.
- Vous devez utiliser le régulateur de pression fourni avec le barbecue à gaz Weber®. Ce régulateur est paramétré pour une colonne d'eau de 11 pouces (pression).
- Ce barbecue à gaz Weber® est conçu pour une utilisation avec du gaz Propane liquide (PL) uniquement. Ne l'utilisez pas avec du gaz naturel (gaz de ville). Les valves, les orifices, le tuyau et le régulateur sont compatibles avec le gaz PL uniquement.
- N'utilisez pas ce barbecue avec du charbon.
- Vérifiez que la zone située sous le panneau de commande et le plateau inférieur est dégagée de tout débris susceptible de faire obstruction à la circulation de l'air nécessaire à la combustion ou à la ventilation.
- Les zones situées autour de la bouteille de PL doivent être dégagées et ne contenir aucun débris.
- Les régulateurs de pression et les ensembles de tuyaux de rechange utilisés doivent être ceux spécifiés par Weber-Stephen Products Co.

EN CAS D'INSTALLATION AU CANADA

Les présentes instructions, bien que généralement acceptables, ne sont pas nécessairement conformes aux Codes d'installation du Canada, en particulier en ce qui concerne les canalisations aériennes et souterraines. Au Canada, l'installation de cet appareil doit respecter les codes régionaux et/ou la Norme CSA-B149.2 (Code relatif au stockage et à la manipulation de propane).

- ⚠ **MISE EN GARDE : N'utilisez ce barbecue qu'en extérieur dans une zone bien ventilée. Ne l'utilisez pas dans un garage, dans un bâtiment, dans un passage couvert ni dans tout autre espace confiné.**
- ⚠ **MISE EN GARDE : Votre barbecue à gaz encastré Summit® ne doit pas être utilisé sous un toit ou une suspension inflammable sans protection.**
- ⚠ **MISE EN GARDE : N'utilisez pas le barbecue dans un rayon de 24 pouces (610 mm) par rapport à tout matériau combustible, à partir du haut, du bas, de l'arrière ou des côtés du grill.**
- ⚠ **MISE EN GARDE : La totalité du boîtier de cuisson atteint une température élevée pendant l'utilisation. Ne laissez pas le barbecue sans surveillance.**
- ⚠ **MISE EN GARDE : Maintenez tout cordon d'alimentation électrique ainsi que le tuyau d'alimentation en combustible à l'écart de toute surface chauffée.**
- ⚠ **MISE EN GARDE : Maintenez la zone de cuisson dégagée de toute émanation inflammable et liquide de type essence, alcool, etc. et de tous matériaux inflammables.**
- ⚠ **MISE EN GARDE : Ne stockez jamais de bouteille de PL supplémentaire (de rechange) au-dessous ou à proximité du barbecue à gaz Weber®.**
- ⚠ **MISE EN GARDE : Maintenez les ouvertures de ventilation de l'entourage de la bouteille dégagées de tout débris.**
- ⚠ **MISE EN GARDE : Fermez le gaz au niveau de l'arrivée de gaz PL lorsque vous n'utilisez pas l'appareil de cuisson à gaz d'extérieur.**
- ⚠ **MISE EN GARDE : Ne stockez jamais un appareil de cuisson à gaz d'extérieur à l'intérieur sauf si la bouteille de PL est déconnectée et retirée de l'appareil de cuisson à gaz d'extérieur.**
- ⚠ **MISE EN GARDE : Les bouteilles de PL doivent être stockées en extérieur, hors de portée des enfants, et ne doivent pas être stockées dans un bâtiment, dans un garage ni dans tout autre espace confiné.**

STOCKAGE ET/OU INUTILISATION

- L'arrivée de gaz doit être fermée au niveau de la bouteille de propane liquide lors des périodes d'inutilisation du barbecue Weber®.
- La bouteille de PL doit être conservée en extérieur, dans une zone bien ventilée hors de portée des enfants. Une bouteille de PL déconnectée ne doit pas être conservée à l'intérieur d'un bâtiment, dans un garage ni dans toute autre zone confinée.
- Vérifiez que les zones situées au-dessous du panneau de commande et le plateau inférieur amovible sont dégagées de tout débris susceptible de faire obstacle à la circulation de l'air nécessaire à la combustion ou à la ventilation.
- Les filtres anti-araignées/insectes devraient également faire l'objet d'une vérification afin de détecter toute obstruction. (Voir la Section : "Maintenance annuelle".)

LOCALISATION DE VOTRE MEUBLE DE BOUTEILLE DE PL

Lorsque vous déterminez un emplacement adapté pour l'installation de votre Meuble de bouteille de PL, veuillez être attentif à des risques tels que l'exposition au vent, la proximité de voies de passage, et la nécessité de maintenir les conduites d'alimentation en gaz les plus courtes qui soient. Ne placez jamais le Meuble de bouteille de PL Summit® dans un garage, dans un passage couvert, dans une cabane ni sous un toit suspendu non protégé ni dans tout autre espace confiné. Positionnez le Meuble de la bouteille de PL et la structure de sorte qu'il y ait suffisamment d'espace pour évacuer la zone en toute sécurité en cas d'incendie.

DISTANCE PAR RAPPORT AUX SURFACES OU STRUCTURES**INFLAMMABLES**

⚠ MISE EN GARDE : La distance par rapport aux parois extérieures des côtés et de l'arrière du Meuble de la bouteille de PL doit être au minimum de 24 pouces (610 mm) de toute. Voir "Installation d'arrivée de gaz typique" avant de commencer l'installation.

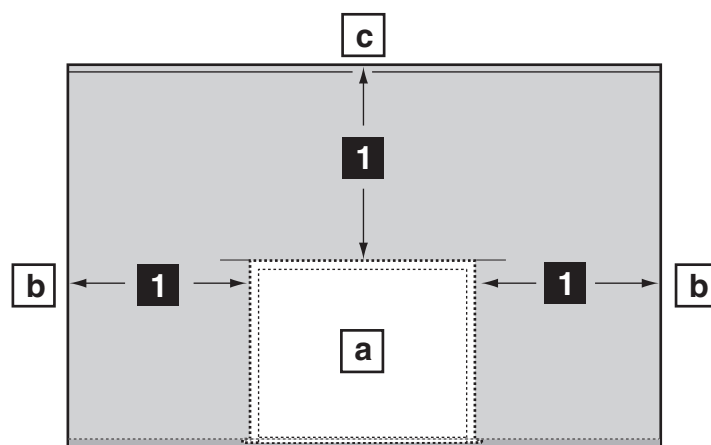
⚠ MISE EN GARDE : La structure, les plans de travail en "îlots" et les zones de travail adjacentes pour l'installation du Meuble de la bouteille de PL doivent être construits à partir de matériaux non inflammables uniquement.

REMARQUE : Pour toute question concernant les matériaux qui sont considérés comme non inflammables, veuillez entrer en contact avec votre revendeur de matériaux de construction local ou avec le service incendie.

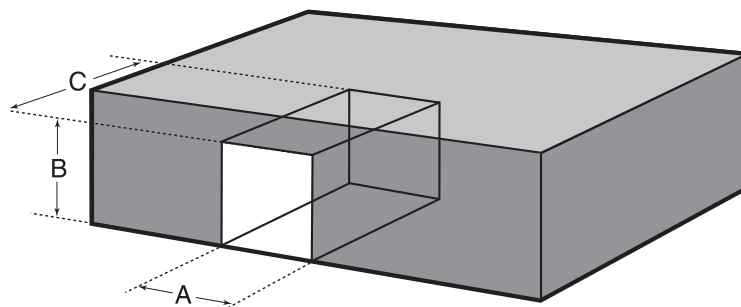
DIMENSIONS POUR LE DECOUPAGE DE LA STRUCTURE ENCASTREE

Toutes les dimensions correspondent à des surfaces finies.

⚠ MISE EN GARDE : La totalité des surfaces finies du plan de travail doit être composée d'un matériau non inflammable.



DIMENSIONS POUR LE DECOUPAGE DE L'ENCASTREMENT	
S-440, S-640	
1	24" (610 mm) minimum*
a	Meuble de la bouteille de PL
b	Toute surface
c	Surface non inflammable



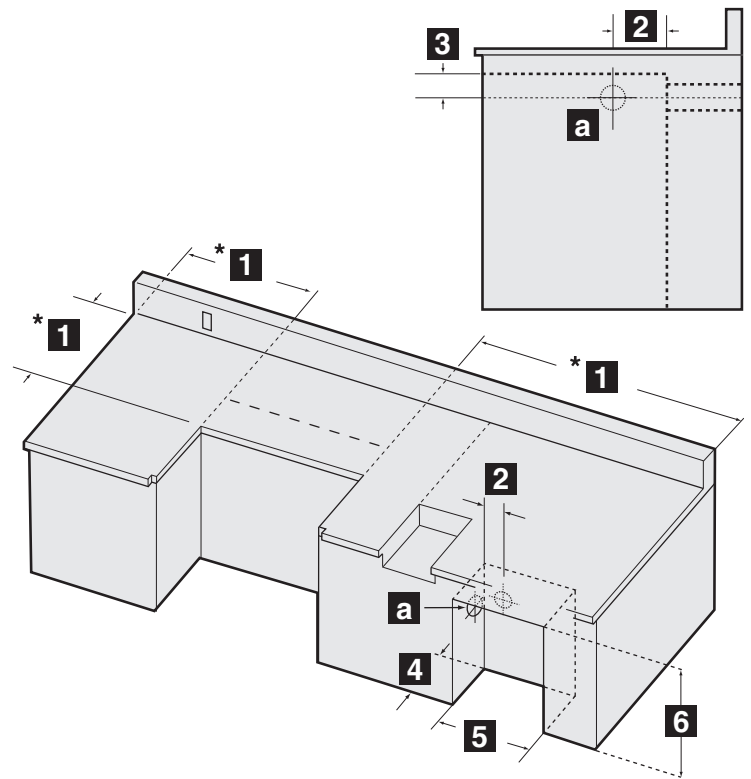
DIMENSIONS POUR LE DECOUPAGE DU MEUBLE DE LA BOUTEILLE		
	S-440	TOLERANCES
A	20 ³ / ₄ " (527,05 mm)	+ ¹ / ₄ " - ¹ / ₄ " (6,35 mm)
B	27 ¹ / ₂ " (698,5 mm)	+ ¹ / ₄ " - ¹ / ₄ " (6,35 mm)
C	14" (355,6 mm)	+ ¹ / ₄ " - ¹ / ₄ " (6,35 mm)

EMPLACEMENTS DE LA CONDUITE DE GAZ ENCASTREE

INFORMATIONS GENERALES RELATIVES A LA CONSTRUCTION

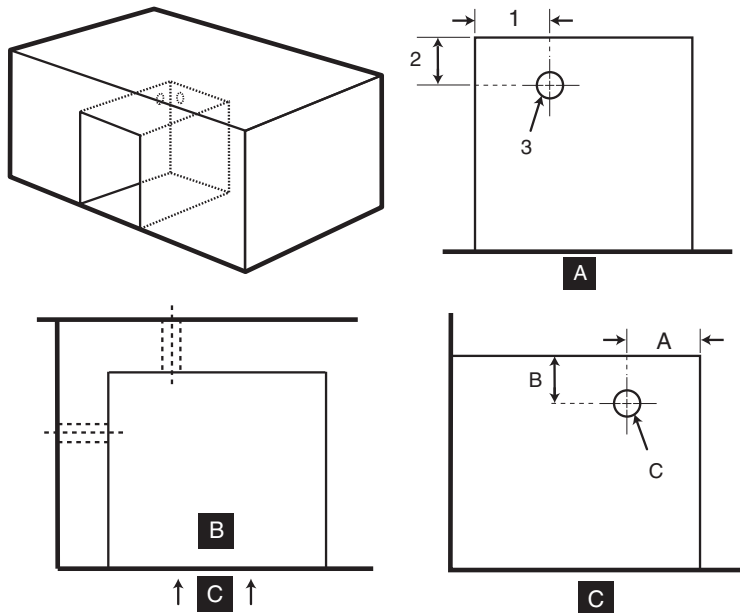
- L'appareil encastré Summit® et la totalité des autres appareils accessoires devraient être sur place avant le début de la construction.
- Toutes les dimensions ont une tolérance de plus ou moins (+/-) 1/4 de pouce (6,4 mm).

DIMENSIONS POUR LE DECOUPAGE DE L'ENCASTRAGE		
S-440, S-640		
DIMENSIONS	1	24" (610 mm) minimum*
	2	5" (127 mm)
	3	2 1/2" (63,5 mm)
	4	14" (355,6 mm)
	5	20 3/4" (527,1 mm)
	6	27 1/2" (698,5 mm)
a	Arrivée de gaz	
* La distance par rapport à toute surface ou structure est d'au moins 24" (610 mm) à partir de l'arrière et des côtés du grill ou du brûleur latéral.		



EMPLACEMENTS DES CONDUITES DE GAZ ENCASTREES

La zone devrait demeurer dégagée de toute surface coupante, irrégulière ou extrêmement abrasive afin d'éviter toute détérioration potentielle des conduites d'arrivée de gaz. Veuillez faire preuve de prudence lorsque vous tirez des conduites de gaz à travers la structure encastrée.



DIMENSIONS DE LA CONDUITE DE GAZ DU MEUBLE DE LA BOUTEILLE DE PL

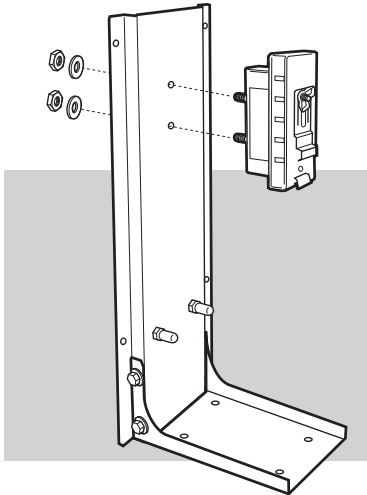
La zone devrait demeurer dégagée de toute surface coupante, irrégulière ou extrêmement abrasive afin d'éviter toute détérioration potentielle des conduites d'arrivée de gaz. Veuillez faire preuve de prudence lorsque vous tirez des conduites de gaz à travers la structure encastrée.

DIMENSIONS DES CONDUITES DE GAZ		
	MEUBLE DE LA BOUTEILLE	TOLERANCES
1	5" (127 mm)	+ 1/4" - 1/4" (6,35 mm)
2	2 1/2" (63,5 mm)	+ 1/4" - 1/4" (6,35 mm)
3	2 3/4" (69,85 mm)	+ 1/4" - 1/4" (6,35 mm)
A	Vue de l'avant	
B	Vue de plan	
C	Vue latérale	
D	Avant de la structure du meuble de la bouteille de PL	

1

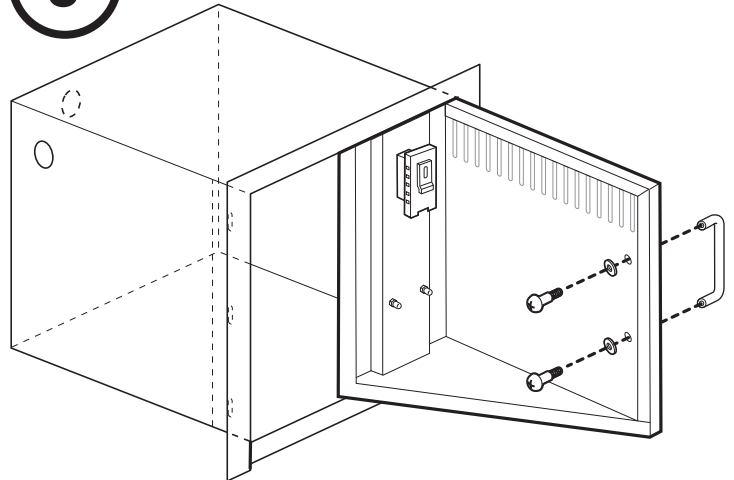
MONTAGE DU MEUBLE DE LA BOUTEILLE DE PL

Retirez le Support de la bouteille du Support de l'entourage de la bouteille (Fourni dans l'emballage de votre grill).



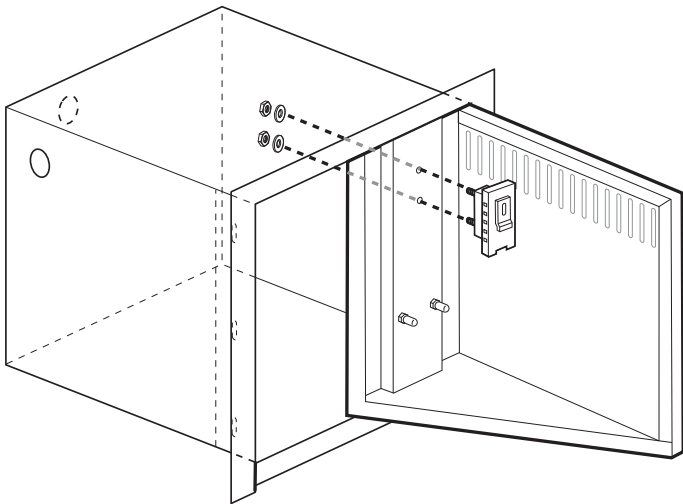
3

Installez la Poignée de la porte.



2

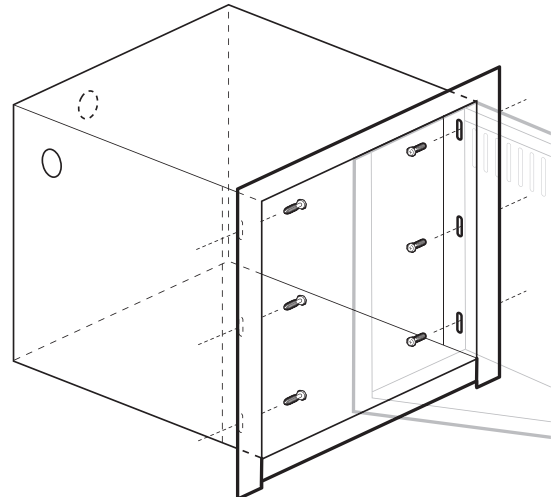
Installez le Support de la bouteille sur l'étagère de la porte du Meuble de la bouteille.



4

Installez l'ensemble du collecteur sur le haut du meuble contenant le réservoir.

Des trous de montage se trouvent à l'intérieur du cadre de la porte et sont fournis pour vous permettre de fixer votre Meuble de bouteille de PL sur la Structure en "îlot". Veillez à monter le Meuble de la bouteille de PL avant toute utilisation.



RACCORDEMENT DE L'ARRIVÉE DE GAZ

Une conduite de gaz ondulée de 58 pouces (147.32 cm) est fournie avec le grill. Cette conduite doit passer à travers l'ouverture d'arrivée de gaz vers l'arrivée de gaz principale.

- 1) Connectez la conduite de gaz ondulée au collecteur situé du côté droit du grill au-dessous du panneau de commande. Utilisez le joint évasé (1) de 1/2" pour garantir une étanchéité correcte.

Remarque : Les joints évasés de 1/2" (12.7 mm) sont fournis avec le meuble de bouteille encastré Summit (#21280) ou avec votre grill.

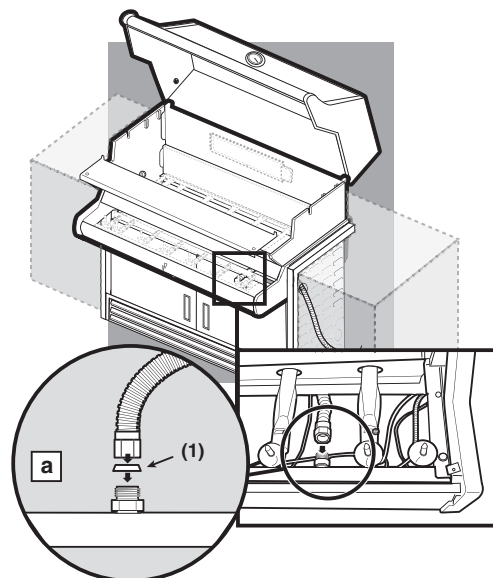
La conduite de gaz passe à travers la cavité de la "Structure en Iloï" vers le raccord du régulateur à l'intérieur du meuble de bouteille encastré Summit (N° 21280) ou le raccord entre le tuyau et le régulateur à l'intérieur de l'entourage de la bouteille de gaz. (Voir ci-dessous)

- 2) Retirez le cache d'un raccord évasé du raccord à 90° situé à l'intérieur de l'Entourage de bouteille encastré Summit .

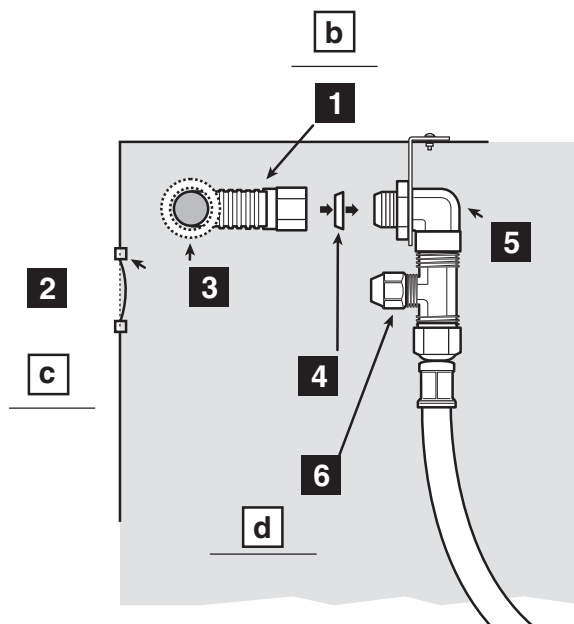
- 3) Utilisez le joint évasé de 1/2 (12.7 mm) pouce pour garantir une étanchéité correcte.

REMARQUE : N'utilisez que le joint évasé de 3/8 pouce (9.53 mm) si vous installez le brûleur latéral en option.

- 4) Connectez la conduite de gaz ondulée au raccord à 90°.



DIMENSIONS POUR LE DECOUPAGE DE L'ENCASTREMENT	
S-440, S-640	
1	Conduite de gaz ondulée vers le collecteur
2	Bouchez le trou inutilisé au moyen du cache fourni
3	Utilisez une douille pour le trou de la conduite de gaz
4	Joint évasé de 1/2" (12,7mm)
5	Raccord de 90°
6	Cache (Brûleur latéral en option)
a	Vue du haut
b	Haut du boîtier
c	Arrière du boîtier
d	Vue latérale



INFORMATIONS IMPORTANTES RELATIVES A LA BOUTEILLE DE PL

Le non respect strict des consignes de sécurité intitulées **DANGER** pourrait entraîner un incendie provoquant la mort ou une blessure grave.

⚠ DANGER

Ne stockez JAMAIS une Bouteille de PL de recharge au-dessous ou à proximité de ce barbecue.

⚠ **Ne remplissez JAMAIS la bouteille à plus de 80%.**

Votre grill à gaz Weber® est équipé pour être raccordé à un dispositif d'alimentation de bouteille de gaz conçu pour éliminer les émanations.

⚠ **MISE EN GARDE : N'utilisez ce grill qu'en extérieur dans une zone bien ventilée. Ne l'utilisez pas dans un garage, dans un passage couvert ni dans toute autre zone confinée.**

Les méthodes de remplissage correctes pour le rechargement de votre bouteille de gaz sont le remplissage au poids ou au volume, tel que décrit par la norme NFPA 58. Veuillez vous assurer que votre station de remplissage remplit votre bouteille de PL au poids ou au volume. Demandez au personnel de votre station de remplissage de lire les consignes de purge et de remplissage figurant sur la bouteille de PL avant de tenter de la remplir.

PREPARATION DE LA DETECTION DES FUITES

VERIFIEZ QUE TOUTES LES VALVES DES BRULEURS SONT FERMEES

Les valves sont expédiées en position fermée ("OFF"), mais vous devriez les vérifier pour vous assurer qu'elles sont fermées. Vérifiez en les enfonçant et en les tournant dans le sens des aiguilles d'une montre. Si elles ne tournent pas, elles sont fermées. Passez à l'étape suivante. Si elles tournent, continuez à les tourner jusqu'à ce qu'elles ne tournent plus, elles sont maintenant fermées. Passez à l'étape suivante.

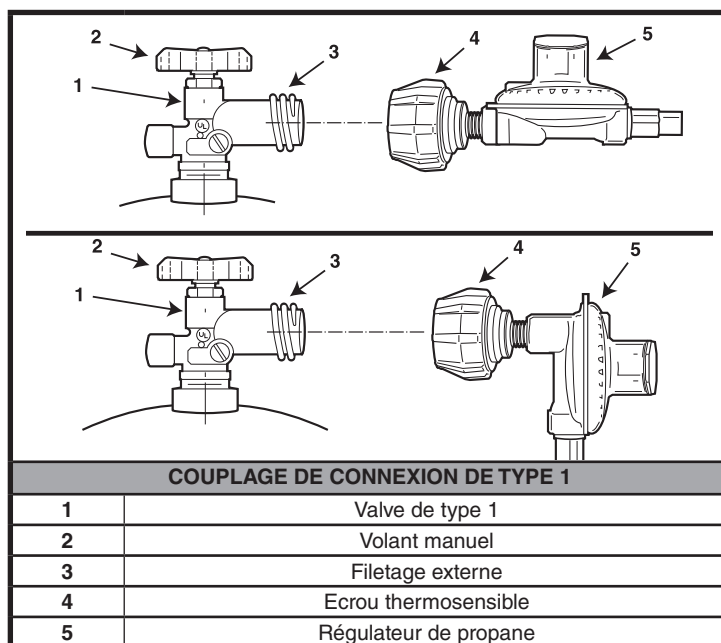
CONNEXION DE LA BOUTEILLE DE PROPANE LIQUIDE

Tous les régulateurs de grills à gaz propane liquide Weber® sont pourvus d'un raccord de gaz homologué par l'UL conformément à la dernière édition de l'ANSI Z21.58. Ceci nécessite une bouteille de propane liquide qui est également équipée d'un raccord de Type 1 dans la valve de la bouteille. Ce couplage de Type 1 vous permet de réaliser un raccord rapide et sans aucun danger entre votre grill à gaz et votre bouteille de propane liquide. Cela élimine la possibilité de fuites dues à un raccord de PI mal serré. Le gaz ne sort pas de la bouteille tant que le couplage de Type 1 n'est pas complètement engagé dans le couplage.

⚠ **MISE EN GARDE : Assurez-vous que la valve de la bouteille de PL est fermée. Fermez-la en tournant la valve dans le sens inverse des aiguilles d'une montre.**

⚠ DANGER

N'utilisez pas de flamme nue pour détecter les fuites. Assurez-vous de l'absence d'étincelles ou de flammes nues dans la zone lorsque vous détectez les fuites. Des étincelles ou des flammes provoqueront un incendie ou une explosion susceptible de provoquer une blessure grave ou un décès ainsi que des dégâts matériels.



Certaines bouteilles de PL ont des assemblages de collier supérieur différents. (Le collier supérieur est la bague de protection métallique autour de la valve.) Une série de bouteille se monte avec la valve orientée vers l'avant (a). Les autres bouteilles se montent avec la valve orientée à l'opposé du support de la bouteille (b). Weber® recommande l'utilisation des bouteilles des fabricants Manchester et Worthington, d'une capacité de 47,6 lb de liquide. D'autres bouteilles peuvent être acceptables pour une utilisation avec l'appareil à condition qu'elles soient compatibles avec le moyen de rétention de l'appareil (voir l'illustration pour le point de contact du moyen de rétention).

La bouteille de PL est installée à l'intérieur de l'entourage de la bouteille ou du meuble de la bouteille, sur le support de la bouteille.

- 1) Faites pivoter la bouteille de PL de sorte que l'ouverture de la valve se trouve à l'avant, sur le côté ou à l'arrière du barbecue à gaz Weber®. Soulevez et accrochez la bouteille de gaz sur la jauge de carburant.
- 2) Soulevez la bouteille pour la positionner sur son support.
- 3) Desserrez l'écrou à oreilles de verrouillage de la bouteille. Abaissez le verrou de la bouteille. Serrez l'écrou à oreilles.

Pour connecter le tuyau à la bouteille :

- 4) Retirez le cache en plastique de protection contre la poussière de la valve.
- 5) Vissez le couplage du régulateur sur la valve de la bouteille, dans le sens des aiguilles d'une montre, ou vers la droite. Serrez à la main uniquement.

Remarque : Ce raccord se serre dans le sens des aiguilles d'une montre et ne permet pas au gaz de sortir tant que le raccord n'est pas serré. Ce raccord doit être serré à la main uniquement.

⚠ MISE EN GARDE : N'utilisez pas de clé pour serrer le raccord. L'utilisation d'une clé risquerait de détériorer le couplage du régulateur et pourrait provoquer une fuite.

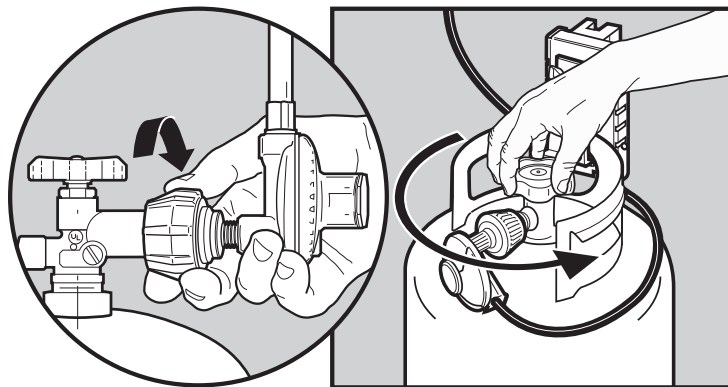
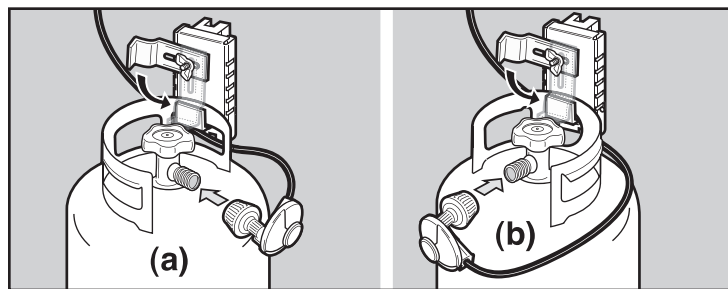
Il vous faudra : Une bouteille de PL, une solution d'eau savonneuse et un chiffon ou un pinceau pour l'appliquer.

- 6) Mélangez le savon et l'eau.
- 7) Ouvrez la valve de la bouteille.
- 8) Détectez les fuites en humidifiant le raccord avec une solution d'eau savonneuse et en regardant si des bulles se forment. Si des bulles se forment, ou si une bulle grossit, cela indique la présence d'une fuite.

En cas de fuite, fermez le gaz et serrez le raccord. Ouvrez à nouveau le gaz et vérifiez une nouvelle fois à l'aide de la solution d'eau savonneuse.

Si la fuite persiste, n'utilisez pas le barbecue. Veuillez entrer en contact avec le représentant du Service clientèle le plus proche grâce aux coordonnées à votre disposition sur notre site Internet. Connectez-vous sur www.weber.com.

- 9) Lorsque la détection des fuites est terminée, fermez l'arrivée de gaz à la source et rincez les raccords à l'eau.



DETECTION DES FUITES DE GAZ

Après une période d'inutilisation, nous vous recommandons de suivre les procédures de maintenance suivantes pour votre sécurité.

⚠ MISE EN GARDE : Vérifiez le tuyau avant chaque utilisation du grill afin de détecter les entailles, fissures, abrasions ou coupures. Si le tuyau se révèle détérioré de quelque manière que ce soit, n'utilisez pas le grill. Ne remplacez le tuyau qu'avec un tuyau de rechange homologué Summit®. Veuillez entrer en contact avec le Service clientèle des encastresments Summit® en téléphonant au 1-800-446-1071.

- Inspectez les brûleurs afin de vérifier si la forme des flammes est correcte. Nettoyez-les si nécessaire, en suivant les procédures présentées dans la section "Maintenance générale" de ce manuel.
- Vérifiez la totalité des raccords de gaz afin de détecter les fuites.

⚠ DANGER

N'utilisez pas de flamme nue pour détecter les fuites de gaz. Assurez-vous qu'il n'y a aucune étincelle ni flamme nue dans la zone lorsque vous détectez les fuites. Des étincelles ou des flammes nues provoqueraient un incendie ou une explosion, qui serait susceptible d'entraîner des blessures graves voire un décès ainsi que des dégâts matériels.

⚠ MISE EN GARDE : Vous devriez détecter les fuites de gaz à chaque fois que vous déconnectez et reconnectez un raccord de gaz.

NRemarque - La totalité des raccords effectués en usine ont fait l'objet d'une détection de fuite de gaz minutieuse. Les brûleurs ont été testés à la flamme. Par mesure de précaution, toutefois, vous devriez vérifier à nouveau la totalité des raccords afin de détecter toute fuite éventuelle avant d'utiliser votre Barbecue à gaz Weber®. L'expédition et la manipulation peuvent desserrer ou détériorer un raccord de gaz.

⚠ MISE EN GARDE : Veuillez effectuer ces contrôles de détection des fuites même si votre barbecue a été assemblé par le revendeur ou en boutique.

Vous aurez besoin de : une solution d'eau savonneuse, et un chiffon ou une brosse pour l'appliquer.

Remarque - Dans la mesure où certaines solutions de détection des fuites, notamment l'eau savonneuse, peuvent être légèrement corrosives, la totalité des raccords devrait être rincée à l'eau après la détection des fuites.

Assurez-vous que le brûleur latéral est positionné sur OFF.

Pour détecter les fuites : ouvrez la valve de la bouteille en tournant le volant manuel de la valve de la bouteille dans le sens inverse des aiguilles d'une montre.

⚠ MISE EN GARDE : N'allumez pas les brûleurs lorsque vous détectez les fuites.

Détectez les fuites en humidifiant les raccords avec la solution d'eau savonneuse et en regardant si des bulles se forment. Si des bulles se forment ou si une bulle grossit, cela signifie qu'il y a une fuite.

Vérifiez :

- 1) Le raccord entre la conduite de gaz et le "T"
- 2) Le raccord entre le régulateur et la bouteille.

⚠ MISE EN GARDE : En cas de fuite au niveau du raccord (1), resserrez le raccord avec une clé puis revérifiez les fuites à l'aide d'une solution d'eau savonneuse.

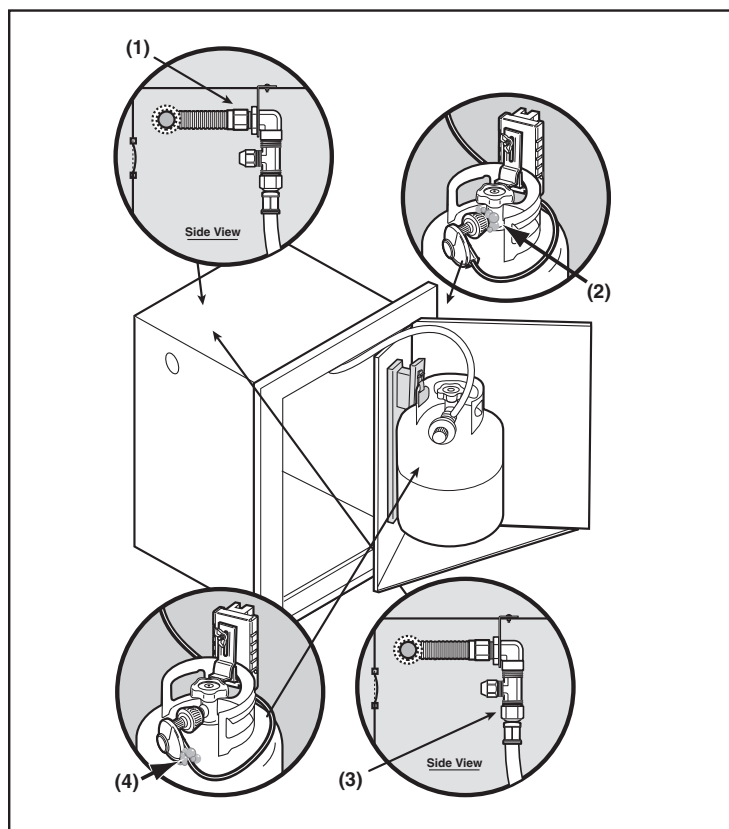
En cas de persistance d'une fuite une fois que vous avez resserré le raccord, fermez le gaz (OFF). N'UTILISEZ PAS LE GRILL. Veuillez entrer en contact avec le Service client au 1-800-446-1071.

Vérifiez :

- 3) Les raccords entre le "T" et le tuyau.
- 4) Le raccord entre le tuyau et le régulateur.

⚠ MISE EN GARDE : En cas de fuite au niveau des raccords (2,3, ou 4), fermez le gaz (OFF). N'UTILISEZ PAS LE GRILL. Veuillez entrer en contact avec le Service client au 1-800-446-1071.

Lorsque les contrôles de détection des fuites sont terminés, fermez l'arrivée de gaz (OFF) à la source puis rincez les raccords à l'eau.



⚠ ATTENTION : Ce produit a fait l'objet de tests de sécurité et est certifié uniquement pour une utilisation dans un pays particulier. Veuillez consulter la désignation de pays sur le carton d'emballage externe.

Ces pièces peuvent être des composants transportant ou brûlant du gaz. Veuillez entrer en contact avec le Service clientèle de Weber-Stephen Products Co. pour des renseignements sur les véritables pièces de rechange Weber-Stephen Products Co.

⚠ MISE EN GARDE : Ne tentez d'effectuer aucune réparation sur des pièces transportant ou brûlant du gaz sans entrer en contact avec le Service clientèle de Weber-Stephen Products Co. Vos actions, si vous ne respectez pas la présente mise en garde concernant ce produit, peuvent provoquer un incendie ou une explosion entraînant une blessure grave ou la mort ainsi que des dégâts matériels.

RECHARGEMENT DE LA BOUTEILLE DE PROPANE LIQUIDE

Nous vous recommandons de recharger la bouteille de PL avant que celle-ci ne soit complètement vide.

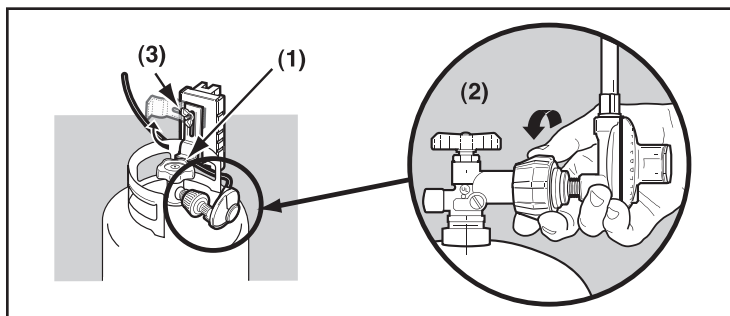
Retrait de la bouteille de PL.

- 1) Fermez la valve de la bouteille de gaz (tournez dans le sens des aiguilles d'une montre).
- 2) Dévissez le couplage du régulateur en le tournant dans le sens inverse des aiguilles d'une montre, à la main uniquement.
- 3) Desserrez l'écrou à oreilles verrouillant la bouteille de gaz et retirez le verrou de la bouteille de gaz.
- 4) Soulevez la bouteille de gaz pour la sortir.

Pour recharger la bouteille de PL, emmenez-la chez un revendeur de propane, ou cherchez à "gaz propane" dans l'annuaire pour d'autres sources de gaz PL.

⚠ MISE EN GARDE : Nous vous recommandons de faire remplir votre bouteille de PL auprès d'un revendeur de gaz agréé, par du personnel qualifié, qui remplit la bouteille au poids. UN MAUVAIS REMPLISSAGE EST DANGEREUX.

⚠ ATTENTION : Placez le cache anti-poussière sur la sortie de la valve de la bouteille de gaz chaque fois que la bouteille de gaz est inutilisée. N'utilisez que le type de cache anti-poussière fourni avec la valve de la bouteille de propane. L'utilisation d'autres types de caches ou de bouchons pourrait provoquer une fuite de propane.



ASTUCES POUR UNE MANIPULATION SANS DANGER DES BOUTEILLES DE GAZ PROPANE LIQUIDE

- Le gaz Propane liquide (PL) est un produit dérivé du pétrole comme le sont l'essence et le gaz naturel. Le gaz PL est gazeux à des températures et à des pressions ordinaires. Soumis à une pression modérée, à l'intérieur d'une bouteille de gaz, le gaz PL est liquide. Au fur et à mesure que la pression diminue, le liquide vaporise rapidement et devient gazeux.
- L'odeur du gaz PL ressemble à celle du gaz naturel. Vous devriez avoir conscience de cette odeur.
- Le gaz PL est plus lourd que l'air. Du gaz PL s'échappant d'une fuite peut s'accumuler dans des espaces proches du sol, ce qui empêcherait sa dispersion.
- Pour remplir la bouteille de PL, emmenez-la chez un revendeur de gaz propane, ou cherchez à "gaz propane" dans l'annuaire pour d'autres sources de gaz PL.

⚠ MISE EN GARDE : Nous vous recommandons de faire remplir votre bouteille de PL auprès d'un revendeur de gaz PL agréé, par du personnel qualifié, qui remplit la bouteille au poids. UN REMPLISSAGE INCORRECT EST DANGEREUX.

- L'air doit être extrait d'une bouteille de PL neuve avant que celle-ci soit remplie pour la première fois. Votre revendeur de PL est équipé pour effectuer cette opération.
- La bouteille de PL doit être installée, transportée et stockée en position verticale. Les bouteilles de PL ne devraient pas être lâchées ou manipulées brutalement.
- Ne stockez ou ne transportez jamais la bouteille de PL dans des endroits où la température peut atteindre 125° F (trop chaud pour tenir à la main - par exemple : ne laissez pas la bouteille de PL à l'intérieur d'une voiture par une journée chaude).

Remarque : Une recharge dure environ 18 à 20 heures de cuisson dans des conditions d'utilisation normales. Le niveau de combustible indique le niveau de propane de façon à ce que vous puissiez vous réapprovisionner avant d'être à court de combustible. Vous n'avez pas besoin de vider la bouteille avant de la faire recharger.

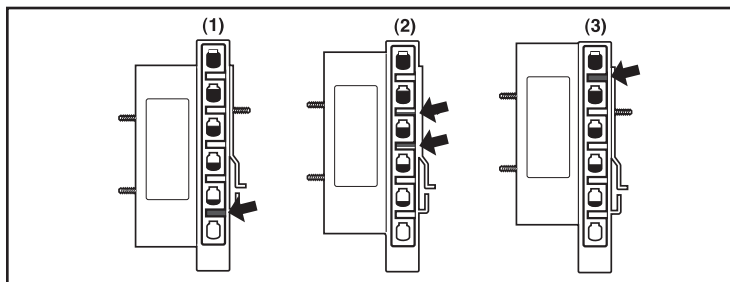
- Manipulez les bouteilles de PL "vides" avec le même soin que lorsqu'elles sont pleines. Même lorsque la bouteille de PL ne contient plus de liquide il peut toujours y avoir du gaz sous pression à l'intérieur. Fermez toujours la valve de la bouteille avant de la déconnecter.

⚠ ATTENTION : Placez le cache anti-poussière sur la sortie de la valve de la bouteille de gaz chaque fois que celle-ci est inutilisée. N'installez que le type de cache anti-poussière fourni avec la valve de la bouteille de gaz. L'utilisation d'autres types de caches ou de bouchons pourrait entraîner une fuite de propane.

VERIFICATION DU NIVEAU DE COMBUSTIBLE DANS VOTRE BOUTEILLE

Vérifiez le niveau de combustible en regardant la ligne de niveau de l'indicateur de couleur sur le côté du plateau de la bouteille.

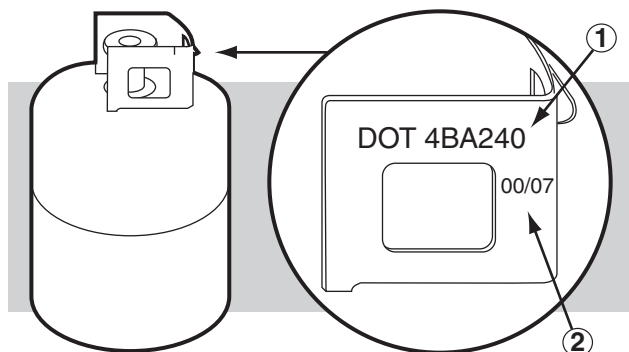
- 1) Vide
- 2) Moyenne
- 3) Pleine



- N'utilisez pas de bouteille de PL détériorée. Les bouteilles de PL comportant un renforcement ou rouillée ou les bouteilles de PL dont la valve est détériorée peuvent être dangereuses et devraient immédiatement être remplacées par des bouteilles neuves.

BOUTEILLE(S) DE GAZ PROPANE LIQUIDE (PL)

- Le raccord où le tuyau est relié à la bouteille de gaz PL doit faire l'objet d'un contrôle de détection des fuites à chaque fois que la bouteille de PL est rebranchée. Par exemple, détectez les fuites à chaque fois que le bouteille de PL est rechargée.
- Assurez-vous que le régulateur est monté avec le petit trou d'aération orienté vers le bas de sorte qu'il ne reçoive pas d'eau. Cette aération devrait être dégagée des impuretés, de la graisse, des insectes, etc.
- Les raccords de gaz fournis avec votre barbecue à gaz Weber® ont été conçus et testés pour être conformés à 100% des exigences du CSA et de l'ANSI.



⚠ MISE EN GARDE : Les bouteilles de PL de recharge doivent s'adapter au raccord du régulateur fourni avec ce barbecue.

EXIGENCES RELATIVES À LA BOUTEILLE DE PROPANE LIQUIDE

- Assurez-vous que les bouteilles de gaz sont certifiées D.O.T. (1), et que leur date vérifiée (2) est dans les cinq ans. Votre fournisseur de gaz PL peut faire cela pour vous.
- Tous les dispositifs de rechargement de bouteilles de PL doivent inclure une collerette pour protéger la valve de la bouteille de gaz.
- La bouteille de PL doit avoir une taille de 20 lb. environ (18¼ pouces de haut, 12¼ pouces de diamètre).
- La bonbonne doit être fabriquée et marquée conformément aux Spécifications s'appliquant aux bonbonnes de gaz - propane liquide du ministère américain des Transports (D.O.T.) ou à la norme nationale du Canada, CAN/CSA-B339, sur les bonbonnes, sphères et tuyaux ou sur le transport des marchandises dangereuses; et commission, si applicable.

AU CANADA EXIGENCES RELATIVES AUX BOUTEILLES DE GAZ PROPANE LIQUIDE

Remarque : Votre détaillant peu vous aider à trouver une bouteille de gaz de recharge adaptée à votre barbecue.

- La bouteille de PL doit être fabriquée et marquée conformément aux spécifications relatives aux bouteilles de gaz PL, T.C.

DEPANNAGE DU MEUBLE DE LA BOUTEILLE

PROBLEME	VERIFICATION	SOLUTION
Les brûleurs ne s'allument pas.	L'arrivée de gaz est-elle fermée ?	Ouvrez l'arrivée de gaz.
La flamme est petite en position HIGH.	Le tuyau d'arrivée de gaz est-il plié ou pincé ?	Redressez le tuyau d'arrivée de gaz.
Les brûleurs ne s'allument pas - ou - les brûleurs ont une petite flamme vacillante en position HIGH - ou - la température du barbecue n'atteint que 250° à 300° F en position HIGH.	Le dispositif de protection contre le débit excessif, qui fait partie du raccord entre le barbecue et la bouteille de gaz, s'est peut-être activé.	Pour réinitialiser le dispositif de protection contre le débit excessif, fermez (OFF) la totalité des boutons de commande du brûleur et la valve de la bouteille de gaz. Déconnectez le régulateur de la bouteille de gaz. Positionnez les boutons de commande des brûleurs sur HIGH. Patientez au moins 1 minute. Positionnez les boutons de commande du brûleur sur OFF. Rebranchez le régulateur sur la bouteille de gaz. Ouvrez lentement la valve de la bouteille de gaz. Voir "Instructions pour l'allumage".
Si les problèmes ne peuvent pas être résolus en utilisant ces techniques, veuillez entrer en contact avec le représentant du Service clientèle le plus proche grâce aux coordonnées à votre disposition sur notre site Internet. Connectez-vous sur www.weber.com .		



WEBER-STEPHEN PRODUCTS CO.
www.weber.com

©2005- The following trademarks are registered in the name of Weber-Stephen Products Co., an Illinois corporation, located at 200 East Daniels Road, Palatine, Illinois 60067 U.S.A. Australia; Smokey Joe, Weber, Kettle Silhouette®, Genesis, Austria; Kettle Silhouette®, Smokey Joe, Weber, Benelux; Kettle Silhouette®, Smokey Joe, Weber, Compact Grill Configuration, Botswana; Weber, Canada; Smokey Joe, Genesis, China; Kettle Silhouette®, Denmark; Kettle Silhouette®, Smokey Joe, Weber, Finland; Smokey Joe, France; Kettle Silhouette®, Smokey Joe, Weber, One-Touch, Germany; Smokey Joe, Weber, One-Touch, Greece; Smokey Joe, Ireland; Kettle Silhouette®, Smokey Joe, Italy; Smokey Joe, Weber, Japan; Smokey Joe, Weber, Korea; Smokey Joe, Weber, New Zealand; Weber, Smokey Joe, Nigeria; Weber, Norway; Smokey Joe, Weber, Portugal; Weber, South Africa; Smokey Joe, Weber, Kettle Configuration, Spain; Smokey Joe, Weber, Sweden; Kettle Silhouette®, Smokey Joe, Switzerland; Kettle Silhouette®, Smokey Joe, Weber, United Kingdom; Smokey Joe, Weber, Weber One-Touch, U.S.A.; Kettle Configuration, Kettle Silhouette®, Smokey Joe, Weber, One-Touch, Firespice, Go-Anywhere, U.S.A.; Kettle Configuration, Kettle Silhouette, Genesis, Flavorizer, Crossover, Flamgo, Performer, Rapidfire, Tuck 'N Carry, Jumbo Joe, Bar-B-Kettle, Master-Touch, Spirit, Grill Out, Summit, Platinum, 1-800-Grill-Out, Ranch, Matchless Flame, Zimbabwe; Weber, Kettle Configuration, Kettle Silhouette®.

Printed in USA.

Free Manuals Download Website

<http://myh66.com>

<http://usermanuals.us>

<http://www.somanuals.com>

<http://www.4manuals.cc>

<http://www.manual-lib.com>

<http://www.404manual.com>

<http://www.luxmanual.com>

<http://aubethermostatmanual.com>

Golf course search by state

<http://golfingnear.com>

Email search by domain

<http://emailbydomain.com>

Auto manuals search

<http://auto.somanuals.com>

TV manuals search

<http://tv.somanuals.com>