

LIMITED WARRANTY

The Manufacturer warrants to the original consumer purchaser that this product as manufactured is free from defects in materials and workmanship. For a period of two (2) years from date of purchase by the original consumer purchaser, we will repair or replace, at our option, without charge for parts or labor incurred in replacing parts, any part which we find to be defective due to materials or workmanship. This Warranty is subject to the following limitations and exclusions.

1. This warranty does not apply to the engine, transaxle/transmission components, battery (except as noted below) or components parts thereof. Please refer to the applicable manufacturer's warranty on these items.
2. Transportation charges for the movement of any power equipment unit or attachment are the responsibility of the purchaser. Transportation charges for any parts submitted for replacement under this warranty must be paid by the purchaser unless such return is requested by the manufacturer.
3. Battery Warranty: On products equipped with a Battery, we will replace, without charge to you, any battery which we find to be defective in manufacture, during the first ninety (90) days of ownership. After ninety (90) days, we will exchange the Battery, charging you 1/12 of the price of a new Battery for each full month from the date of the original sale. Battery must be maintained in accordance with the instructions furnished.
4. The Warranty period for any products used for rental or commercial purposes is limited to 45 days from the date of original purchase.
5. This Warranty applies only to products which have been properly assembled, adjusted, operated, and maintained in accordance with the instructions furnished. This Warranty does not apply to any product which has been subjected to alteration, misuse, abuse, improper assembly or installation, delivery damage, or to normal wear of the product.
6. Exclusions: Excluded from this Warranty are belts, blades, blade adapters, normal wear, normal adjustments, standard hardware and normal maintenance.
7. In the event you have a claim under this Warranty, you must return the product to an authorized service dealer.

Should you have any unanswered questions concerning this Warranty, contact:

Weed Eater
Customer Service Department
1030 Stevens Creek Road
Augusta, GA 30907 USA

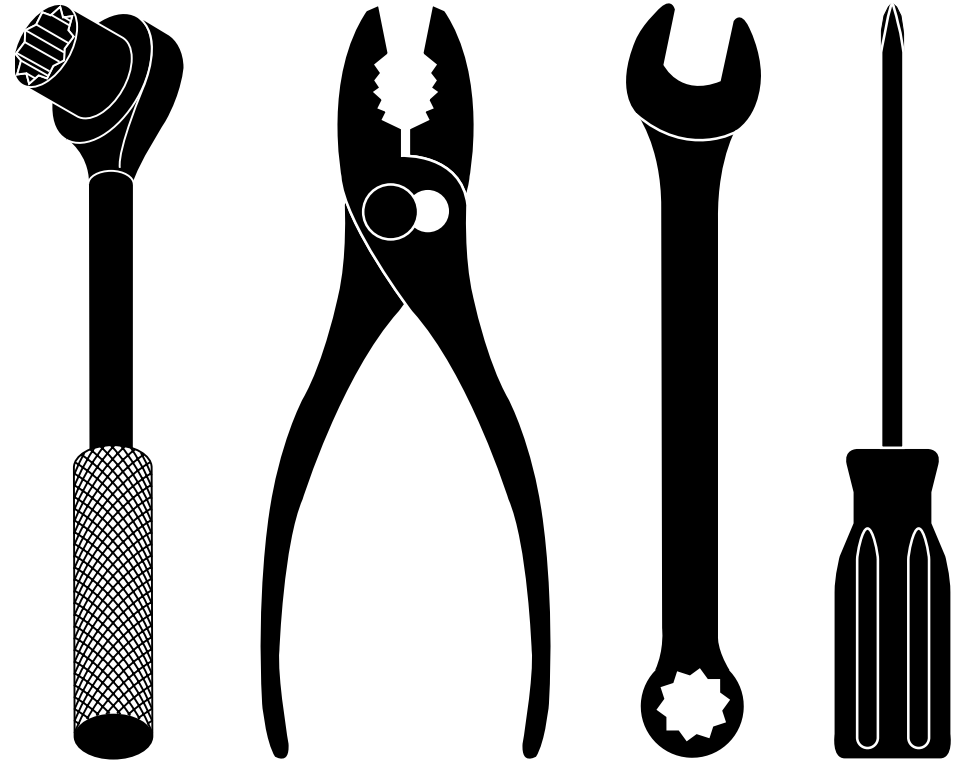
In Canada contact:
Weed Eater
Customer Service Department
5855 Terry Fox Way
Mississauga, Ontario L5V 3E4

giving the model number, serial number and date of purchase of your product and the name and address of the authorized dealer from whom it was purchased.

THIS WARRANTY DOES NOT APPLY TO INCIDENTAL OR CONSEQUENTIAL DAMAGES AND ANY IMPLIED WARRANTIES ARE LIMITED TO THE SAME TIME PERIODS STATED HEREIN FOR OUR EXPRESSED WARRANTIES.

Some areas do not allow the limitation of consequential damages or limitations of how long an implied Warranty may last, so the above limitations or exclusions may not apply to you. This Warranty gives you specific legal rights, and you may have other rights which vary from locale to locale.

This is a limited Warranty within the meaning of that term as defined in the Magnuson-Moss Act of 1975.



REPAIR PARTS MANUAL MODEL NO. 96134000106 Rotary Lawn Mower

For Parts and Service, contact our authorized distributor: call 1-800-849-1297
For Technical Assistance: call 1-800-829-5886

WEED EATER®

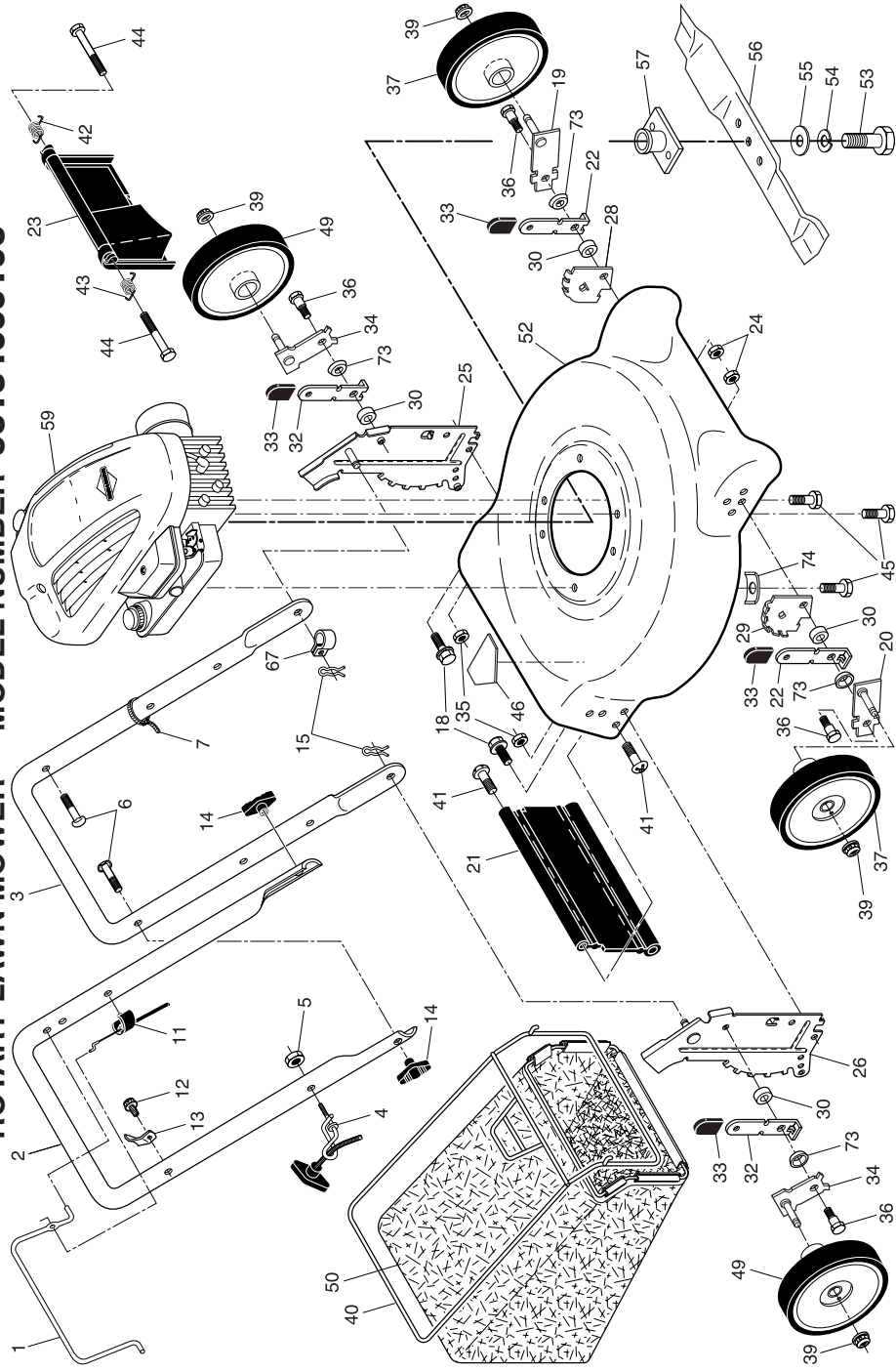
WEED EATER®

410944 11.22.06 BY

Printed in U.S.A.

Download from Www.Somanuals.com. All Manuals Search And Download.

ROTARY LAWN MOWER -- MODEL NUMBER 96134000106



ROTARY LAWN MOWER -- MODEL NUMBER 96134000106

KEY PART NO.	DESCRIPTION	KEY PART NO.	DESCRIPTION
1	194177X428 Control Bar	36	401638 Shoulder Bolt 5/16-18
2	194179X479 Upper Handle	37	410591 Wheel & Tire Assembly, Front
3	169708X479 Lower Handle	39	83923 Flanged Locknut
4	194788 Rope Guide	40	401808 Frame, Grass Bag
5	132004 Nut, Hex	41	88652 Hinge Screw
6	191574 Handle Bolt	42	405421 Spring, Rear Door, LH
7	66426 Wire Tie	43	405423 Spring, Rear Door, RH
11	176556 Engine Zone Control Cable	44	184193 Bolt, Rear Skirt
12	750634 Hex Washer Head Screw	45	150406 Hex Head Thread Rolling Screw 3/8-16 x 1
13	86899X004 Up-Stop Bracket	46	404763 Danger Decal
14	189713X428 Handle Knob	49	189483 Wheel & Tire Assembly, Rear
15	51793 Hairpin Cotter	50	401737 Grass Bag
18	17600406 Screw 1/4-20 x 3/8	52	409775 Housing Assembly
19	401174X004 Axle Arm Assembly, Front, LH		(Includes Key Numbers 17, 18 and 46)
20	401175X004 Axle Arm Assembly, Front, RH	53	851084 Helical Lockwasher
21	188987 Rear Skirt	54	850263 Hardened Washer
22	401621X004 Selector Spring, Front	55	851074 21" Blade
23	401814X428 Rear Door Assembly	56	189028 Blade Adapter
24	166785 Locknut, Hex	57	193825 Engine, Briggs & Stratton, Model Number 10T802
25	400623X479 Handle Bracket Assembly, LH		(for engine service and replacement parts, call Briggs & Stratton at 1-800-233-3723)
26	400624X479 Handle Bracket Assembly, RH	67	197991 Clip, Cable
28	407500X007 Wheel Adjusting Bracket, Front, LH	73	401630 Washer, Curved
29	407499X007 Wheel Adjusting Bracket, Front, RH	74	851201X004 Washer, Special, Engine
30	401629 Spacer	--	404764 Warning Decal (not shown)
32	401623X004 Selector Spring, Rear	--	193732 Operator's Manual, English
33	87877 Selector Knob	--	193735 Operator's Manual, Spanish
34	401173X004 Axle Arm Assembly, Rear	--	410944 Repair Parts Manual
35	73930500 Locknut 5/16-18		

IMPORTANT: Use only Original Equipment Manufacturer (O.E.M.) replacement parts. Failure to do so could be hazardous, damage your lawn mower and void your warranty.

NOTE: All component dimensions given in U.S. inches. 1 inch = 25.4 mm.

Free Manuals Download Website

<http://myh66.com>

<http://usermanuals.us>

<http://www.somanuals.com>

<http://www.4manuals.cc>

<http://www.manual-lib.com>

<http://www.404manual.com>

<http://www.luxmanual.com>

<http://aubethermostatmanual.com>

Golf course search by state

<http://golfingnear.com>

Email search by domain

<http://emailbydomain.com>

Auto manuals search

<http://auto.somanuals.com>

TV manuals search

<http://tv.somanuals.com>