

2150EX Area Velocity Flow Module

Installation and Operation Guide



Part #69-2003-347 of Assembly #60-2004-347
Copyright © 2004. All rights reserved, Teledyne Isco, Inc.
Revision K, May 1, 2007



Foreword

This instruction manual is designed to help you gain a thorough understanding of the operation of the equipment. Teledyne Isco recommends that you read this manual completely before placing the equipment in service.

Although Teledyne Isco designs reliability into all equipment, there is always the possibility of a malfunction. This manual may help in diagnosing and repairing the malfunction.

If the problem persists, call or e-mail the Teledyne Isco Technical Service Department for assistance. Simple difficulties can often be diagnosed over the phone.

If it is necessary to return the equipment to the factory for service, please follow the shipping instructions provided by the Customer Service Department, including the use of the **Return Authorization Number** specified. **Be sure to include a note describing the malfunction.** This will aid in the prompt repair and return of the equipment.

Teledyne Isco welcomes suggestions that would improve the information presented in this manual or enhance the operation of the equipment itself.

Teledyne Isco is continually improving its products and reserves the right to change product specifications, replacement parts, schematics, and instructions without notice.

Contact Information

Customer Service

Phone: (800) 228-4373 (USA, Canada, Mexico)
(402) 464-0231 (Outside North America)
Fax: (402) 465-3022
Email: IscoCSR@teledyne.com

Technical Service

Phone: (800) 775-2965 (Analytical)
(800) 228-4373 (Samplers and Flow Meters)
Email: IscoService@teledyne.com

Return equipment to: 4700 Superior Street, Lincoln, NE 68504-1398

Other Correspondence

Mail to: P.O. Box 82531, Lincoln, NE 68501-2531
Email: IscoInfo@teledyne.com
Web site: www.isco.com

Revised September 15, 2005

General Warnings

Before installing, operating, or maintaining this equipment, you should read this entire manual. While specific hazards may vary according to location and application, it is still helpful to read this safety section (which is specific to the 2150EX) and the general safety information contained in Appendix E. If you have any questions regarding the equipment or its installation, contact Teledyne Isco or one of its representatives for assistance.

This manual has been created in compliance with general requirements for equipment installed in potentially explosive atmospheres (refer to Clause 28 of EN 50014:1997).

 **WARNING**

Avoid hazardous practices! If you use this instrument in any way not specified in this manual, the protection provided by the instrument may be impaired; this will increase your risk of injury.

 **WARNING**

Intrinsic safety is dependent on proper installation in accordance with IEC 60079-14 and IEC 60079-17 International Standards, or ATEX Group II, Category 1G requirements of the authority that has jurisdiction for the installation of equipment in hazardous areas at your specific installation site. Installation should be performed only by trained and qualified personnel.

Hazard Severity Levels

This manual applies *Hazard Severity Levels* to the safety alerts, These three levels are described in the sample alerts below.

 **CAUTION**

Cautions identify a potential hazard, which if not avoided, may result in minor or moderate injury. This category can also warn you of unsafe practices, or conditions that may cause property damage.

 **WARNING**









Warnings identify a potentially hazardous condition, which if not avoided, could result in death or serious injury.

 **DANGER**

DANGER – limited to the most extreme situations to identify an imminent hazard, which if not avoided, will result in death or serious injury.

Hazard Symbols

The equipment and this manual use symbols to warn of hazards. The symbols are explained below.

Hazard Symbols	
Warnings and Cautions	
	The exclamation point within the triangle is a warning sign alerting you of important instructions in the instrument's manual.
	The lightning flash and arrowhead within the triangle is a warning sign alerting you of "dangerous voltage" inside the product.
Symboles de sécurité	
	Ce symbole signale l'existence d'instructions importantes relatives au produit dans ce manuel.
	Ce symbole signale la présence d'un danger d'électocution.
Warnungen und Vorsichtshinweise	
	Das Ausrufezeichen in Dreieck ist ein Warnzeichen, das Sie darauf aufmerksam macht, daß wichtige Anleitungen zu diesem Handbuch gehören.
	Der gepfeilte Blitz im Dreieck ist ein Warnzeichen, das Sei vor "gefährlichen Spannungen" im Inneren des Produkts warnt.
Advertencias y Precauciones	
	Esta señal le advierte sobre la importancia de las instrucciones del manual que acompañan a este producto.
	Esta señal alerta sobre la presencia de alto voltaje en el interior del producto.

2150EX Safety Information

The intrinsically safe 2150EX is intended for use in potentially explosive atmospheres, and complies with ATEX Directive 94/9/EC. The 2150EX is Group II, Category 1G equipment for use in gas hazard zones 0, 1, and 2.

The equipment is not designed with dust ignition protection for dust hazard zones 20, 21, or 22.



*2150EX Module Connected to
2191EX Battery Module and AV2150EX Sensor*

Designed for safety

Installation should be completed with adherence to local requirements for ATEX Group II, Category 1G or 2G equipment as appropriate, and should be done by trained and qualified personnel.

The purpose of intrinsic safety is to limit the energy available to a given circuit or device to a level where electrical discharge (sparking) cannot ignite the hazardous (flammable or explosive) atmosphere. With no spark ignition possible, safe operation of the equipment in areas with hazardous atmospheres is possible.

The durable 2150EX, 2191EX, 2196EX, and 2194EX enclosures are made with ABS plastic embedded with conductive carbon fiber, giving the units low surface resistance to minimize electrostatic energy.

The lithium thionyl chloride batteries and the lead acid batteries used in the 2191EX Battery Module operate at a low voltage and are contained in sealed battery packs.

The 2150EX system has been designed so that it does not cause physical injury or other harm due to contact. It does not produce excessive surface temperature or dangerous radiation. When used properly, it does not present any non-electrical dangers.

Labels

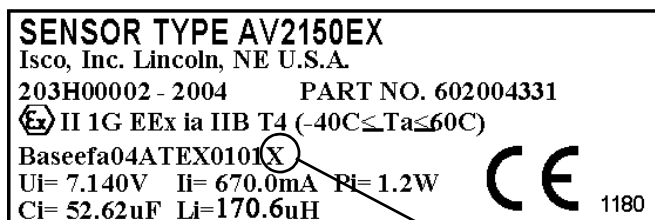
Read all labels carefully before installing the equipment!

The 2150EX and its components are clearly labeled with color and/or text so you know what can be located in a safe or hazardous area (see figure below). For example, on the label shown below, light blue is used to indicate the intrinsically safe end and yellow to indicate the non-protected end of the cable and connector.

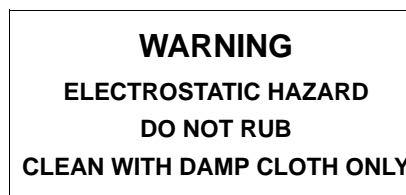


Example of Safe and Hazardous Area Labeling on RS232EX Cable

Some system components have an X marking, as shown in the example below. The X marking indicates that there are special conditions that must be met to ensure intrinsic safety. In the case of the sensor cable, there is a danger of static electricity. The cable is labeled with a warning telling you that you should not rub the sensor with a dry cloth, as this might generate static electricity.



X-Marking



AV2150EX Sensor Cable Labels

Where applicable, the labels contain other information, such as voltage, serial number identification, etc. For example, the label shown below indicates the maximum input voltage (U_i), input current (I_i), and input power (P_i) that can be applied to the 2150EX network port without invalidating intrinsic safety. It also shows the internal capacitance (C_i), and internal inductance (L_i) that must be allowed by any power source.

2150EX NETWORK PORT-J3	
$U_i = 9.282V$	$C_i = 2.420\mu F$
$I_i = 4.000A$	$L_i = 0.000\mu H$
$P_i = 4.000W$	

Example of 2150EX Label

When you compare the 2150EX label in the figure above with the 2191EX label in the figure below, you can see they provide a helpful reference so you can make sure your connections are safe.

2191EX NETWORK PORT-P3	
$U_o = 9.282V$	$C_o = 29.35\mu F$
$I_o = 4.000A$	$L_o = 7.500\mu H$
$P_o = 4.000W$	

Example of 2191EX Label

For example, the 2150EX network port cannot have an input voltage greater than 9.282V. When you look at the label on the power source (in this case the 2191EX), you can see that the maximum output voltage is 9.282V. From this you know that you can safely connect the two, and won't be providing too much voltage to the 2150EX unit.

Note

This information is not intended to fully explain entity parameters. Other publications should be referenced for more detailed explanations.

Installation

Installation of the 2150EX system is described in this manual. Typical round-pipe installations are shown in Figures 2-1 and 2-2, and Appendix E provides information on general safety procedures for work in manholes and sewers.

When the equipment is installed in accordance with the instructions in this manual, it will not be subjected to dangerous mechanical or thermal stresses. It should not be installed where it may be attacked by existing or foreseeable aggressive substances that could damage the module enclosures. The enclosures are made of Acrylonitrile Butadiene Styrene (ABS) plastic. Substances that may cause damage include organic solvents (ketones and esters, aromatic and chlorinated hydrocarbons), alcohols, hydrocarbons, fuels, and UV radiation.

Repair and Maintenance

Teledyne Isco, Inc.
Technical Service Dept.
P.O. Box 82531
Lincoln, NE 68501 USA

Phone: (800) 228-4373
(402) 464-0231
FAX: (402) 465-3085

E-mail:
IscoService@teledyne.com

Refer to Section 4 of this manual for instructions regarding periodic maintenance of the 2150EX and its components.

The internal components of the 2150EX System are not user-serviceable. The case is completely sealed to protect the internal components. If you think your module requires repair, contact Teledyne Isco's Technical Service Department.

Rapidly failing desiccant may indicate a crack.

 WARNING

Any cracks in the module case will impair the safety protection. If this occurs, return the unit to Teledyne Isco for a replacement.

Components of the AV2150EX Sensor are encapsulated in plastic resin and are not user-serviceable. If any part of the AV Sensor fails, it must be replaced.

2150EX Area Velocity Flow System

Table of Contents

Section 1 Introduction

1.1 Product Description	1-1
1.1.1 2150EX Area Velocity Flow System Overview	1-2
1.1.2 Level	1-2
1.1.3 Velocity	1-2
1.1.4 Flow Rate	1-3
1.1.5 Total Flow	1-3
1.1.6 Data Storage	1-3
1.2 Identifying Module Components	1-4
1.3 Technical Specifications	1-7

Section 2 Preparation and Installation

2.1 Unpacking Instructions	2-1
2.2 Preparing for Installation	2-2
2.2.1 Safety	2-2
2.2.2 Locating the Site	2-2
2.2.3 Channels Without a Primary Device	2-3
2.2.4 Channels With a Primary Device	2-3
2.2.5 2150EX and AV Sensor Mounting Considerations	2-3
2.3 Site Examples	2-4
2.4 Portable Installations	2-8
2.4.1 Installation Example	2-8
2.4.2 Install Battery Module Batteries	2-8
2.4.3 Inspect the Desiccant – Battery Module	2-10
2.4.4 Inspect the Desiccant – 2150EX Module	2-10
2.4.5 Assembling the System	2-11
2.4.6 Zone 1 Battery Module	2-13
2.5 Permanent Installations	2-18
2.5.1 Installation Example	2-19
2.6 Network Communication	2-21
2.6.1 EX Network Cable	2-22
2.6.2 Connecting to a Computer for Interrogation	2-23
2.6.3 Connecting to a 2100 Series Network Device	2-23
2.7 Connecting the AV2150EX Sensor	2-25
2.7.1 Positioning the AV Sensor	2-27
2.8 Mounting Rings	2-28
2.8.1 Spring Rings	2-29
2.8.2 Scissors Mounting Ring	2-30
2.8.3 Completing the AV Sensor Installation	2-32
2.9 Final Installation Check	2-33
2.9.1 Program the Module	2-33

Section 3 Programming

3.1 Overview	3-1
3.2 Flowlink Connections	3-1
3.2.1 Site Configuration Stability	3-2

3.3 Program Settings	3-2
3.3.1 Level	3-3
3.3.2 Zero Level Offset	3-4
3.3.3 No Velocity Data and Flow Rates	3-5
3.3.4 Flow Conversion	3-5
3.3.5 Silt Level	3-7
3.3.6 Data Storage Rates	3-7
3.3.7 Site Name	3-8
3.3.8 Module Name	3-8

Section 4 Modbus Protocol

4.1 Introduction	4-1
4.2 Operation	4-1
4.2.1 Establishing Communication	4-2
4.2.2 Module Addressing	4-2
4.3 Configurations	4-3
4.4 Glossary of Terms	4-4
4.5 Common Acronyms	4-5
4.6 Register Specifications	4-6

Section 5 Maintenance

5.1 Maintenance Overview	5-1
5.2 Maintenance Kits	5-1
5.3 2191EX Batteries	5-2
5.3.1 LTC2191EX Lithium Batteries	5-2
5.3.2 SLA2191EX Lead-Acid Batteries	5-4
5.4 Desiccant	5-8
5.4.1 Replacing the Desiccant: AV Module	5-8
5.4.2 Replacing the Desiccant: Battery Module	5-8
5.4.3 Reactivating the Desiccant	5-9
5.5 Channel Conditions	5-9
5.6 Other Maintenance	5-9
5.6.1 Hydrophobic Filter	5-10
5.6.2 Cleaning	5-10
5.6.3 Sensor Cable Inspection	5-11
5.7 How to Obtain Service	5-11
5.7.1 Diagnostics	5-11

Appendix A Replacement Parts

A.1 Replacement Parts Diagrams and Listings	A-1
-------------------------------------------------------	-----

Appendix B Accessories

B.1 How to Order	B-1
B.2 General Accessories	B-1
B.3 Maintenance Kits	B-2
B.4 AV Sensor Mounting Accessories	B-2

Appendix C Material Safety Data Sheets

C.1 Overview	C-1
------------------------	-----

Appendix D General Safety Procedures

D.1 Hazards	D-1
-----------------------	-----

D.2 Planning	D-2
D.3 Adverse Atmospheres	D-2
D.4 Entering Manholes	D-2
D.4.1 Traffic Protection	D-3
D.4.2 Removing the Covers	D-3
D.4.3 Other Precautions	D-3
D.4.4 Emergencies	D-4
D.4.5 Field Equipment	D-4
D.5 Lethal Atmospheres in Sewers	D-4

List of Figures

1-1 2150EX - Top and Bottom Views	1-4
1-2 2150EX Connected to 2191EX- Top Right View	1-5
1-3 Components – AV2150EX Area Velocity Sensor	1-6
1-4 2191EX and 2196EX Battery Components	1-7
1-5 2150EX Area Velocity Flow System Communication Connector Pins	1-11
2-1 Typical Round-pipe Installation Connected to a Laptop Computer (Portable Installation, see section 2.4)	2-5
2-2 Typical Round-pipe Installation Connected to a 2101 Field Wizard (Portable Installation, see section 2.4)	2-6
2-3 Typical Round-pipe Installation Connected to a 2194EX Module and Laptop (Permanent Installation, see section 2.5)	2-7
2-4 Illustration of Battery Packs	2-9
2-5 Label Markings for LTC2191EX and SLA2191EX Battery Packs	2-9
2-6 Assembling a basic portable system	2-11
2-7 Flowlink low-voltage warning	2-14
2-8 Location of 2196EX charging terminals	2-15
2-9 Detailed view of charging circuit board	2-16
2-10 2196EX battery module and labeling	2-17
2-11 Amphenol connector pins for 12V adapter cable 69-2004-451	2-18
2-12 2194EX labels and cable connector	2-20
2-13 Network cable connector and wiring	2-20
2-14 Network cable conduit fittings	2-21
2-15 Wiring the socket insert	2-21
2-16 EX Network Cable for Connection to an Isolator Cable	2-22
2-17 RS232EX Isolator Cable for Connection to a Computer	2-23
2-18 RS485EX Isolator Cable for Connection to a 2100 Series Network Device	2-24
2-19 Connecting the AV Sensor	2-26
2-20 AV2150EX Sensor Cable Labels	2-26
2-21 Sensor Installed on a Spring Ring	2-29
2-22 Scissors Ring adjustment	2-32
3-1 Connection to a Laptop, Using Cables P/N 60-2004-336 and 60-2004-339	3-1
3-2 Preferred Measurement Location	3-3
3-3 Zero Level Offset Measurement	3-4
4-1 Configuration Example (Direct Connection Shown)	4-3
5-1 Illustration of LTC2191EX Battery Packs	5-3
5-2 SLA2191EX Battery Pack Voltage Chart	5-4
5-3 Lead-Acid SLA2191 EX Battery Packs and 8V2191SLA Charger	5-5
5-4 Inserting an SLA2191EX Battery Pack into the Charger	5-6
5-5 Illustration of Battery Packs	5-7

List of Tables

1-1	2150EX Area Velocity Flow Module - Top and Bottom Views	1-4
1-2	2150EX Area Velocity Flow Module - Top Right View	1-5
1-3	Components – AV2150EX Area Velocity Sensor	1-6
1-4	Battery Components - 2191EX and 2196EX	1-7
1-5	Technical Specifications – 2150EX and 2191EX Modules (Zones 0, 1, and 2)	1-8
1-6	Technical Specifications - 2196EX Battery Module (Zones 1 and 2)	1-9
1-7	Technical Specifications - 2194EX Interface Module (Associated Apparatus)	1-9
1-8	Specifications – AV2150EX Area Velocity Sensor (Zones 0, 1, and 2)	1-10
1-9	Communication Connector Pins	1-11
3-1	Flow Conversion Methods	3-6
4-1	Modbus ASCII Address 1 Register Definitions	4-6
4-2	Modbus ASCII Address 2-(N+1) Register Definitions	4-7
4-3	Measurement Parameters by Model Number*	4-9
D-1	Hazardous Gases	D-7

2150EX Area Velocity Flow Module

Section 1 Introduction

1.1 Product Description

The 2150EX Area Velocity Flow Module is part of Isco's 2100 Series. The 2100 Series measures parameters of open channel flow streams.

The intrinsically safe 2150EX is intended for use in potentially explosive atmospheres, and complies with ATEX Directive 94/9/EC. The 2150EX is Group II, Category 1G or 2G equipment as appropriate for use in Hazardous Zones 0, 1, and 2.

The purpose of intrinsic safety is to limit the energy available to a given circuit or device to a level where electrical discharge (sparking) cannot ignite the hazardous (flammable or explosive) atmosphere. With no spark ignition possible, safe operation of the equipment in areas with potentially explosive atmospheres is possible.

The standard 2100 Series is designed to be modular so that you can expand the system by stacking modules to meet your data collection needs. The 2150EX incorporates this modularity, allowing up to two 2150EX modules to be stacked on one 2191EX or 2196EX battery module.

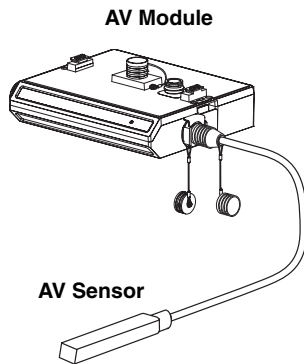
The 2150EX is paired with Isco's *Flowlink* software. With this full-featured application software, you can quickly set up the module, retrieve measurement data, manage the sites, and analyze the data, and update the module's own software, all without entering the hazardous area.

The module's data storage memory is quite flexible, able to store the measurements in intervals from 15 seconds to 24 hours. The module can also be configured for variable rate data storage. Variable rates allow you to store data at a different interval when a programmed condition occurs.

The module's program and collected data are stored in *flash* memory for security. Flash memory retains data without the concern of power failures or aging backup batteries. Its capacity is more than sufficient for most applications. The data storage memory can hold approximately 79,000 readings – the equivalent of nine months of level and velocity data when stored at fifteen minute intervals. The flash memory also stores sensor level adjustment information. A separate flash memory device inside the module stores the operating firmware.

The rugged 2150EX components are rated NEMA 4X, 6P (IP68). The permanently sealed enclosures are designed to meet the environmental demands of many sewer flow monitoring applications. All connections between sensors and communication cables "lock" in place. Each locking mechanism strongly secures the components and ensures a watertight seal.

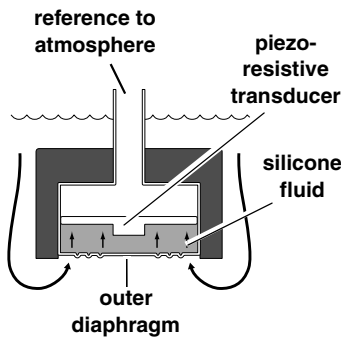
1.1.1 2150EX Area Velocity Flow System Overview



The 2150EX measures liquid level and average stream velocity, and calculates the flow rate and total flow. The liquid level and velocity measurements are read from an attached Area Velocity (AV) Sensor that is placed in the flow stream. Flow rate calculations are performed internally using the measured parameters from the AV Sensor. Additionally, the 2150EX can measure its input voltage.

The 2150EX is designed to provide durable operation with only a minimal amount of routine maintenance, all of which may be performed in the field, while keeping in mind restrictions for potentially explosive atmospheres. Typically, the 2150EX and its AV2150EX Sensor will only require that you keep the stream free from excessive debris, and replace or recharge spent desiccant and batteries. Sections 1.1.2 through 1.1.6 describe the 2150EX and sensor in greater detail.

1.1.2 Level

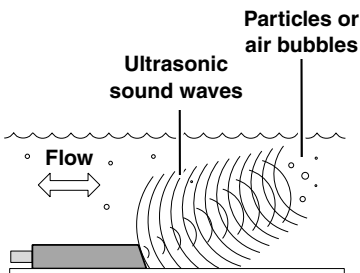


The AV Sensor's internal differential pressure transducer measures the liquid level. The transducer is a small piezo-resistive chip that detects the difference of the pressures felt on the inner and outer face.

The stainless steel outer diaphragm is exposed to the flow stream through the ports under the AV Sensor. The pressure felt on the outer diaphragm is transferred to the outer face of the transducer through a silicone fluid medium. The outer diaphragm and fluid isolate the sensitive transducer from direct exposure to the stream. The inner face of the transducer is exposed, or referenced, to the atmosphere through the internal vent tube that runs the full length of the AV Sensor's cable.

The difference between the pressures exerted on the transducer is the hydrostatic pressure. Hydrostatic pressure is proportional to the level of the stream. The Isco AV2150EX sensor uses state of the art techniques to ensure accuracy throughout the environmental operating range. At the factory each sensor is measured at scores of pressure and temperature levels to precisely characterize the unique transducer. These calibration results are digitally stored within the sensor's flash memory. During readings the sensor's microcontroller applies the known correction factor to produce highly accurate level readings.

1.1.3 Velocity



The AV Sensor measures average velocity by using ultrasonic sound waves and the Doppler effect. The Doppler effect states that the frequency of a sound wave (or other wave) passed from one body to another is relative to both their motions. As the two approach each other, the frequency increases; as they move apart, the frequency decreases.

The AV Sensor contains a pair of ultrasonic transducers. One transducer transmits the ultrasonic sound wave. As the transmitted wave travels through the stream, particles and bubbles carried by the stream reflect the sound wave back towards the AV Sensor. The second transducer receives the reflected wave.

Circuits internal to the module compare the frequencies of the sound waves and extract the difference. An increase or decrease in the frequency of the reflected wave indicates forward or reverse flow. The degree of change is proportional to the velocity of the flow stream.

1.1.4 Flow Rate

Using measurements from the AV Sensor, the 2150EX can calculate the flow rate. Many different flow rate conversion methods are supported:

- Area Velocity
- Data Points
- Manning Formula
- Two-term Polynomial Equations
- Flumes
- Weirs

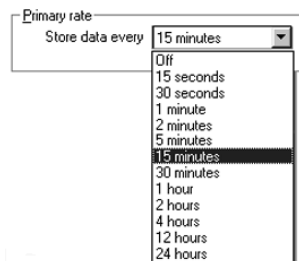
Often the 2150EX is chosen for applications where a primary device is not available, nor is it practical to install a primary device. Therefore, area velocity is usually the conversion method of choice.

The 2150EX is capable of calculating and storing any two conversion methods simultaneously. This feature is useful when it is necessary to validate a flow conversion method. For example, the flow rate at a new site programmed for area velocity conversion can be directly compared to the flow rate calculated using a Manning formula.

1.1.5 Total Flow

The 2150EX can calculate and report the total flow. You can set up the system to monitor *net*, *positive*, or *negative* total flow from either of the calculated flow rates.

1.1.6 Data Storage



Time Resolution

Through Flowlink, you configure which type of data is logged and the storage rate. For each measurement, the *Data Storage Setup* window lets you turn the primary rate off, or select a rate from 15 seconds to once every 24 hours. If the primary rate is turned off, the 2150EX will not store the measurement (unless a secondary rate is selected). However, the 2150EX will still take readings if that measurement type is necessary for a calculation.

Secondary rates are used to log data at a different rate when a user-defined condition exists. For example, a secondary rate can be used to increase the level and velocity data storage rate when level is greater than or equal to a point of interest. Secondary rates give you the best resolution of data, but only when it is needed. Until the condition is met, the module will conserve power and memory by storing the data at the primary storage rate. Like the primary rate, you can turn the secondary rate off, or select a storage rate of 15 seconds to every 24 hours.

The time resolution of each measurement is one second. That is, readings are taken at the same time as the time stamp, not collected and averaged over a period of time before the stamp.

Rollover Memory

Whether the measurements are stored at the primary or secondary rate, they are stored in a *rollover* type of memory. When full, the module overwrites the oldest data with the newest readings.

1.2 Identifying Module Components

The various components of the 2150EX are shown in Figures 1-1 through 1-4. Items referenced in the figures are described in Tables 1-1 through 1-4.

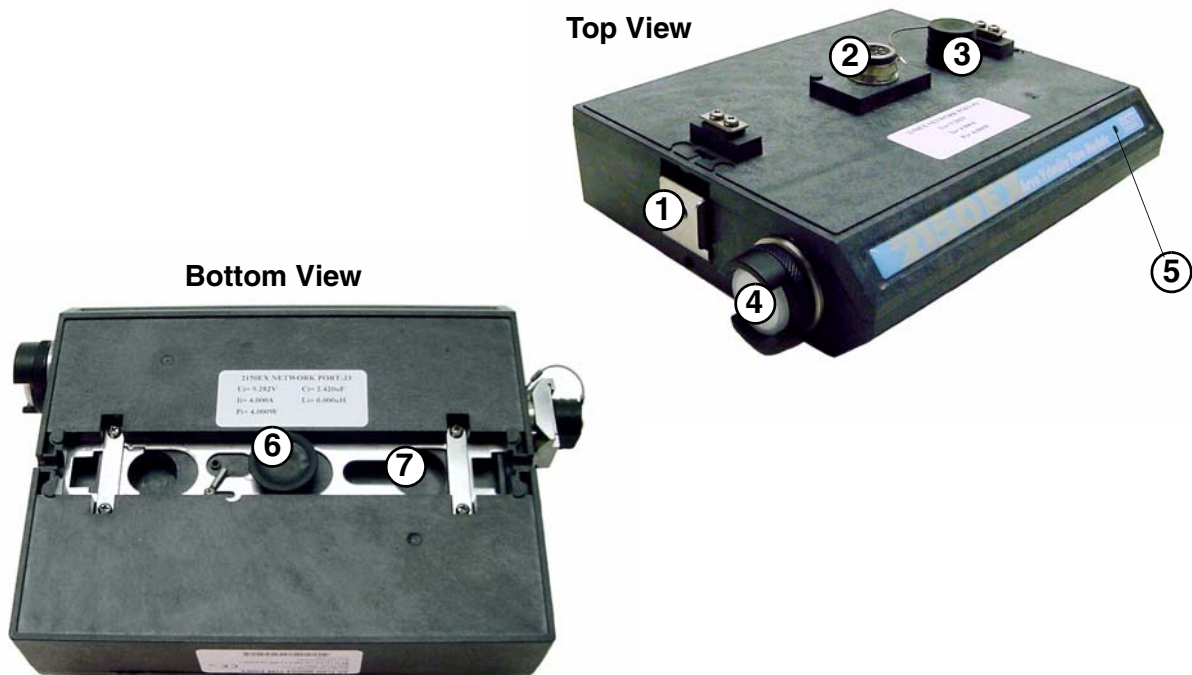


Figure 1-1 2150EX - Top and Bottom Views

Table 1-1 2150EX Area Velocity Flow Module - Top and Bottom Views		
Item No. Fig. 2-1	Name	Description
1	Latch	Latches the module in place. A latch release is located on the right side of the module.
2	Communication Connector (shown uncapped)	Upper communication port; used to connect to another module, or to a PC running Flowlink software.
3	Connector Cap (shown in holder)	Insert into unused communication connector to terminate the network and protect it from moisture damage. When the communication connector is in use, the cap must be stowed in its holder to protect the terminating components inside the cap.
4	Desiccant Cartridge and Hydrophobic Filter	The cartridge holds desiccant that dries the reference air. The filter prevents moisture from entering the reference line.
5	Communication Indicator	Illuminates when module communications are active.
6	Communication Connector (shown capped)	Used to connect the module to the 2191EX or 2196EX battery module, or to another 2150EX module. When the communication connector is in use, the cap must be stowed in its holder to protect the terminating components inside the cap.
7	Cap Holder	Used to store the Connector Cap.



Figure 1-2 2150EX Connected to 2191EX- Top Right View

Table 1-2 2150EX Area Velocity Flow Module - Top Right View		
Item No. Fig. 2-2	Name	Description
1	Carrying Handle	Used to lift and carry the unit.
2	Communication Connector (shown capped)	Upper communication port, used to connect to another module or to a PC running Flowlink software.
3	Cap Holder	Used to store the connector cap.
4	AV Sensor Receptacle	Port used to attach the AV Sensor. Insert the protective cap when not in use.
5	2191EX	Used to store battery packs and provide a source of power for the 2150EX.

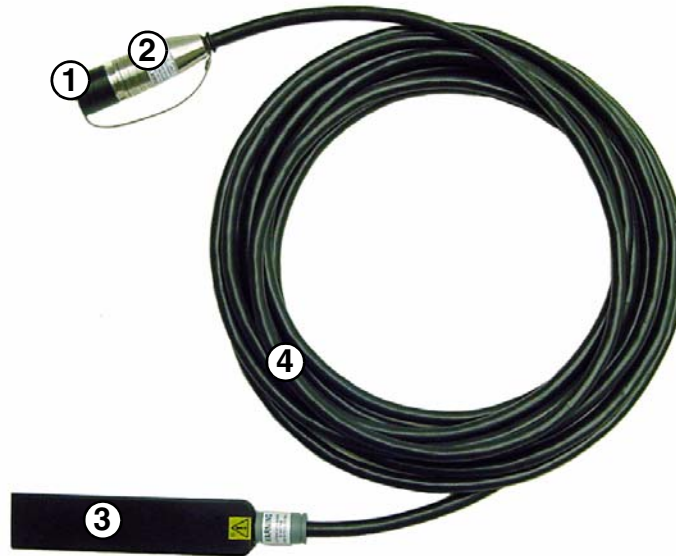


Figure 1-3 Components – AV2150EX Area Velocity Sensor

Table 1-3 Components – AV2150EX Area Velocity Sensor		
Item No. Fig. 1-3	Name	Description
1	Connector Cap	Protects the connector. When the connector is not in use, this cap must be in place to prevent damage to the connector pins and reference air tubing.
2	Connector	Attaches to the AV Sensor receptacle on the 2150EX Module.
3	AV Sensor Body	The AV Sensor Body is placed in the flow stream to measure level and velocity.
4	Cable	10.0 m (32.8 ft) cable containing the reference air tubing and conductors to transfer level data, velocity data, and AV Sensor power.



Figure 1-4 2191EX and 2196EX Battery Components

Table 1-4 Battery Components - 2191EX and 2196EX		
Item No. Fig. 1-4	Name	Description
1	Battery Door	The quarter-turn door seals the battery cavity. 2191EX: Inside each door is a humidity indicator and a bag of desiccant to prevent internal moisture damage. 2196EX: The right door has one humidity indicator and bag of desiccant, while the left door houses the charging circuit board for the batteries.
2	Lithium Battery Pack (2) or Lead-Acid Battery Pack (2)	Use only the lithium or lead-acid battery packs supplied by Teledyne Isco. Operation requires two of either battery type.
3	Battery Cavity	2191EX: The battery packs are inserted into the battery cavities. 2196EX: The batteries are integral to the module and not removable.

1.3 Technical Specifications

This section lists technical information about the 2150EX Area Velocity Flow Module and its related components.

- Table 1-5 lists the technical specifications for the 2150EX and 2191EX Modules, and also the battery packs.
- Table 1-6 lists the technical specifications for the 2196EX Zone 1 battery module.
- Table 1-7 lists the technical specifications for the 2194EX network interface module.
- Table 1-8 lists the technical specifications for the AV2150EX Area Velocity Sensor.
- Figure 1-5 and Table 1-9 list information about the 2150EX's communication connector.

**Table 1-5 Technical Specifications – 2150EX and 2191EX Modules
 (Zones 0, 1, and 2)**

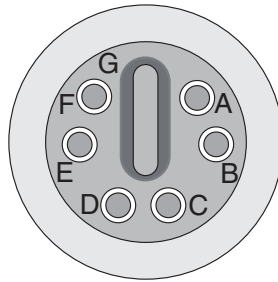
Size (H×W×D) 2150EX connected to 2191EX	22.6 × 28.0 × 19.3 cm	8.9 × 11.0 × 7.6 in.
Weight (without batteries) (with lithium battery packs) (with lead-acid battery packs)	3.00 kg 4.20 kg 7.10 kg	6.6 lb 9.2 lb 15.7 lb
Material	ABS plastic, stainless steel	
Enclosure (self-certified)	NEMA 4X, 6P	IP 68
Power	7.0 to 9.0 VDC, 100 mA typical at 8 VDC, 1 mA standby	
Batteries	LTC2191EX lithium or SLA2191EX lead-acid batteries, quantity 2 battery packs	
Typical Battery Life (estimated) (assumes 23°C; actual performance is affected by site conditions)	Level Velocity Data Storage Interval	LTC2191EX Lithium Batteries SLA2191EX Rechargeable Lead-Acid Batteries
	15 minutes 5 minutes 2 minutes 1 minute	49 months 21 months 8 months 4 months 157 days 64 days 31 days 18 days
Operating Temperature	-40° to 60°C	-40° to 140°F <i>(lead-acid battery packs have an operating temperature of -20° to 60°C or -4° to 140°F)</i>
Storage Temperature	-40° to 60°C	-40° to 140°F
Program Memory	Non-volatile, programmable flash; can be updated using PC without opening enclosure or entering hazardous area; retains user program after updating	
Flow Rate Conversions	Up to 2 independent level-to-area and/or level-to-flow rate conversions	
Level-to-Area Conversions		
Channel Shapes	Round, U-shaped, rectangular, trapezoidal, elliptical, with silt correction	
Data Points	Up to 50 level-area points	
Level-to-Flow Rate Conversions		
Weirs	V-notch, rectangular, Cipolletti, Isco Flow Metering Inserts, Thel-Mar	
Flumes	Parshall, Palmer-Bowlus, Leopold-Lagco, trapezoidal, H, HS, HL	
Manning Formula	Round, U-shaped, rectangular, trapezoidal	
Data Points	Up to 50 level-flow rate points	
Equation	2-term polynomial	
Total Flow Calculations	Up to 2 independent, net, positive or negative, based on either flow rate conversion	
Data Storage Memory	Non-volatile flash; retains stored data during program updates	
Capacity	395,000 bytes (up to 79,000 readings, equal to over 270 days of level and velocity readings at 15 minute intervals, plus total flow and input voltage readings at 24 hour intervals). Bytes per reading is 5.	
Data Types	Level, velocity, flow rate 1, flow rate 2, total flow 1, total flow 2, input voltage	
Storage Mode	Rollover with variable rate data storage based on level, velocity, flow rate 1, flow rate 2, total flow 1, total flow 2, or input voltage	
Storage Interval	15 or 30 seconds; 1, 2, 5, 15 or 30 minutes; or 1, 2, 4, 12 or 24 hours	
Setup and Data Retrieval	Serial connection to IBM PC or compatible computer with Isco Flowlink <i>Software Version 4.16 or greater</i>	
Baud Rate	38,400	

**Table 1-8 Specifications – AV2150EX Area Velocity Sensor
(Zones 0, 1, and 2)**

Materials	
Sensor	Epoxy, chlorinated polyvinyl chloride (CPVC), stainless steel
Cable	Polyvinyl chloride (PVC), chlorinated polyvinyl chloride (CPVC), stainless steel
Size (H×W×D)	1.9 × 3.3 × 15.2 cm 0.75 × 1.31 × 6.00 in.
Cable Length	10.0 m 32.8 ft.
Cable Diameter	0.9 cm 0.37 in.
Weight (including cable)	1.02 kg 2.24 lbs
Level Measurement	
Method	Submerged pressure transducer mounted in the flow stream
Transducer Type	Differential linear integrated circuit pressure transducer
Range ¹	0.010 to 3.05 m 0.033 to 10 ft.
Maximum Allowable Level	10.5 m 34 ft.
Accuracy ²	±0.003 m ±0.010 ft
Long Term Stability	±0.007 m/yr ±0.023 ft/yr
Operating Temperature Range	-10° to 60°C -14° to 140°F
Compensated Temperature Range	0° to 50°C 32° to 122°F
Velocity Measurement	
Method	Doppler Ultrasonic
Frequency	500 kHz
Transmission Angle	20° from horizontal
Typical Minimum Depth for Velocity Measurement	25 mm 0.08 ft.
Range	-1.5 to +6.1 m/s -5 to +20 ft./s
Accuracy ³	Velocity Error -1.5 to +1.5 m/s (-5 to +5 ft./s) ±0.03 m/s (±0.1 ft./s) 1.5 to 6.1 m/s (5 to 20 ft./s) ±2% of reading
Operating Temperature Range	-40° to 60°C -40° to 140°F
Temperature Measurement	
Accuracy	± 2°C

NOTES:

1. Actual vertical distance between the area velocity sensor and the liquid surface
2. Maximum non-linearity , hysteresis, and temperature error from actual liquid level
3. In water with a uniform velocity profile and a speed of sound of 1480 m/s (4850 ft./s)
4. The serial tag of the AV2150EX sensor contains important X marking, indicating special safety conditions that must be observed. See *Important Information Regarding "X" Marking* on page 2-26 for more information.



Communications Port

Figure 1-5 2150EX Area Velocity Flow System Communication Connector Pins

Table 1-9 Communication Connector Pins		
Pin	Name	Description
A	NETA	Network differential transceiver Data A
B	NETB	Network differential transceiver Data B
C	VIN+	Positive power supply voltage input (+8 VDC nominal)
D	VIN-	Negative power supply voltage input (0 VDC nominal)
E	RCVUP	PC data receiver RS232 compatible input
F	XMTUP	PC data transmit RS232 compatible output
G	Key	Aligns connector pins

CAUTION

The connector of the interrogator cable and protective cap both have an alignment key to ensure proper connection. Observe proper alignment and NEVER reverse the connector. Even a momentary pin short can cause permanent damage to the batteries.

2150EX Area Velocity Flow Module

Section 2 Preparation and Installation

2.1 Unpacking Instructions

When the system arrives, inspect the outside packing for any damage. Then carefully inspect the contents for damage. If there is damage, contact the delivery company and Teledyne Isco (or its agent) immediately.

 WARNING

If there is any evidence that any items may have been damaged in shipping, do not attempt to install the unit. Please contact Teledyne Isco (or its agent) for advice.

Teledyne Isco, Inc.
Customer Service Dept.
P.O. Box 82531
Lincoln, NE 68501 USA

Phone:(800) 228-4373
Outside USA & Canada
call:
(402) 464-0231

FAX: (402) 465-3022

E-mail:
IscoInfo@teledyne.com

When you unpack the system, check the items against the packing list. If any parts are missing, contact the delivery company and Teledyne Isco's Customer Service Department. When you report missing part(s), please indicate them by part number. In addition to the main packing list, there may be other packing lists for various sub-components.

It is recommended that you retain the shipping cartons as they can be used to ship the unit in the event that it is necessary to transport the system.

Please complete the registration card and return it to Teledyne Isco, Inc.

2.2 Preparing for Installation

A 2150EX flow system may be a portable installation, powered by a 2191EX or 2196EX battery module (described in Section 2.4), or a permanent installation, powered from the safe area by the 2194EX network interface module (described in Section 2.5).

 **WARNING**

Intrinsic safety is dependent on proper installation in accordance with IEC 60079-14 and IEC 60079-17 International Standards, or ATEX Group II, Category 1G or 2G requirements of the authority that has jurisdiction for the installation of equipment in hazardous areas at your specific installation site. Installation should be performed only by trained and qualified personnel.

2.2.1 Safety

 **WARNING**

Avoid hazardous practices! If you use these instruments in any way not specified in this manual, the protection provided by the instruments may be impaired; this will increase your risk of injury.

 **WARNING**

The installation and use of this product may subject you to hazardous working conditions that can cause you serious or fatal injuries. Take any necessary precautions before entering a worksite. Install and operate this product in accordance with all applicable safety and health regulations, and local ordinances.

The 2150EX module components are often installed in confined spaces. Some examples of confined spaces include manholes, pipelines, digesters, and storage tanks. These spaces may become hazardous environments that can prove fatal for those unprepared. In the United States, these spaces are governed by OSHA 1910.146 and require a permit before entering.

Read the Safety section at the front of this manual, and the general safety information in Appendix E.

2.2.2 Locating the Site

The 2150EX is designed to measure flow in open channels with or without a primary device. A primary device is a hydraulic structure, such as a weir or a flume that modifies a channel so there is a known relationship between the liquid level and the flow rate. Although the 2150EX supports flow rate conversion in channels with a primary device, its level and velocity measurement capabilities are best suited for channels *without* a primary device.

 **Note**

Primary devices limit the usefulness of the AV Sensor's readings. In most cases, levels and velocities near these structures do not represent what normally occurs in the channel. If you must use area velocity flow conversion, or if your interest is the stream's velocity, do not install the AV Sensor near a primary device. Move the AV Sensor away to where the flow is unaffected by the primary device.

2.2.3 Channels Without a Primary Device

When the AV Sensor is installed without a primary device, find a section of channel with a minimum of disturbances to the flow. Avoid areas with elbows, outfalls, invert, junctions, etc. that create turbulence near the AV Sensor. The AV Sensor should be located away from these disturbances to a point where the flow has stabilized. For best results, install the AV Sensor where the flow is most uniform. Uniform flow is a condition where the water surface is parallel to the bottom of the channel.

2.2.4 Channels With a Primary Device

If the AV Sensor is installed in a primary device, its location depends on the type of primary device. Most primary devices have a specific place for the head (level) measurement sensor. For more details about the location of the head measuring point, refer to the *Isco Open Channel Flow Measurement Handbook*, or to information provided by the manufacturer of the primary device.

 **Note**

When you install the AV Sensor for use within a primary device, a Level-to-Flow conversion method should be used. (See Programming, Section 3.)

2.2.5 2150EX and AV Sensor Mounting Considerations

Ideal sites are easily accessible for service and data collection, while still providing protection for the 2150EX module devices. The 2150EX module devices are rated NEMA 4X, 6P, and constructed of materials that can withstand harsh environments. However, continual exposure to UV light, or periodic submersion should be avoided to extend the life of the components.

Typically, the 2150EX is suspended inside a manhole. Suspending the 2150EX near the opening will protect it from the elements, minimize the chance of submersion, and allow it to be easily retrieved without entering the manhole.

2.3 Site Examples

Figures 2-1, 2-2, and 2-3 illustrate typical round-pipe sites. Key items are called out in the illustration and explained below.

Figures 2-1 and 2-2 represent **portable installations**. For details about portable installations, see Section 2.4.

Figure 2-3 represents a **permanent installation**. For details about permanent installations, see Section 2.5.

The **computer running Flowlink** (Figures 2-1 and 2-3) or the **2101 Field Wizard module** (Figure 2-2) should be located outside the potentially explosive atmosphere. The computer and modules communicate with the 2150EX module.

The **2150EX area velocity flow module** measures and stores the stream data. In portable installations (Figures 2-1 and 2-2), it is attached to a **2191EX or 2196EX battery module**, which supplies power to the module.

As described in Section 2.6.1, the **EX network cable** connects to the top of the 2150EX stack and extends to the interface of the safe and hazardous areas.

As described in Section 2.6.2, an **RS232EX isolator cable** connects the computer and the site. The cable supports the data transfers between the two, and is connected to an EX Network Cable connected to the top of the 2150EX module.

As described in Section 2.6.3, an **RS485EX isolator cable** connects the site with a Field Wizard or other network device. The cable supports the data transfers between the two, and is connected to an EX Network Cable, connected to the top of the 2150EX module.

In permanent installations (Figure 2-3), the 2150EX is connected via a network interface cable, usually through conduit, to the **2194EX network module**, located in the safe area, which serves as both power supply and network or PC connection.

The **AV2150EX sensor cable** must be routed carefully without kinks, coils, or sharp bends, but may be snake-looped and tied. Any excess cable must be kept out of the channel to prevent debris from collecting.

The **Mounting Ring** holds the AV2150EX sensor in place.

The **AV2150EX sensor** is positioned in the flow stream to measure liquid level and velocity.

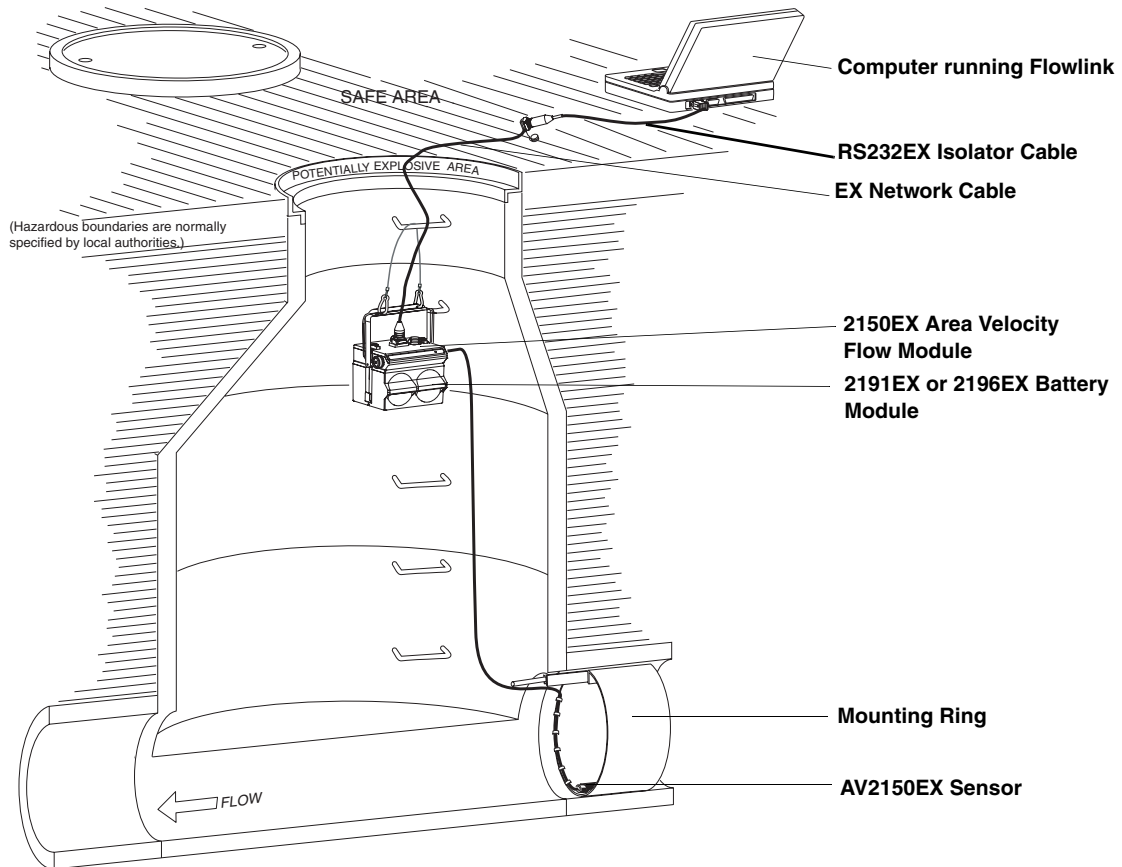


Figure 2-1 Typical Round-pipe Installation Connected to a Laptop Computer (Portable Installation, see section 2.4)

2150EX Area Velocity Flow Module
Section 2 Preparation and Installation

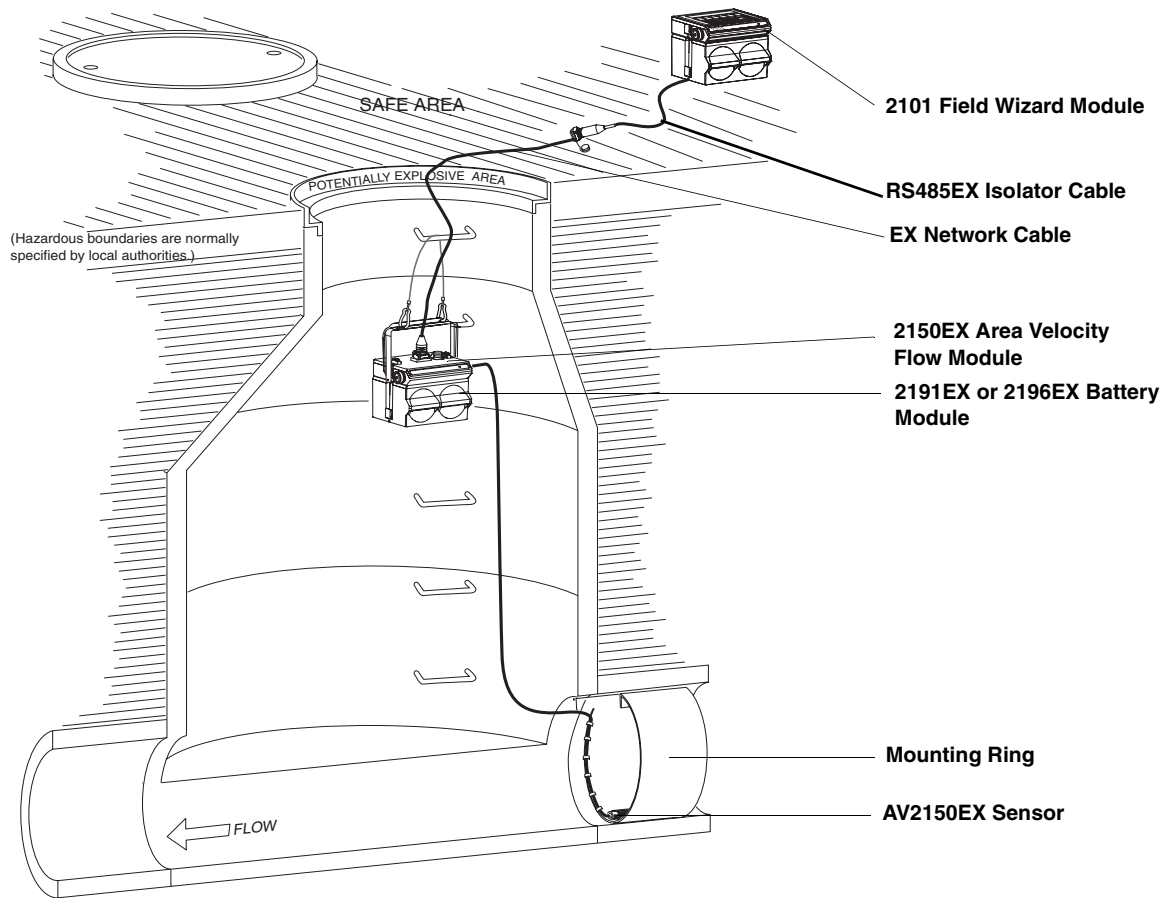


Figure 2-2 Typical Round-pipe Installation Connected to a 2101 Field Wizard (Portable Installation, see section 2.4)

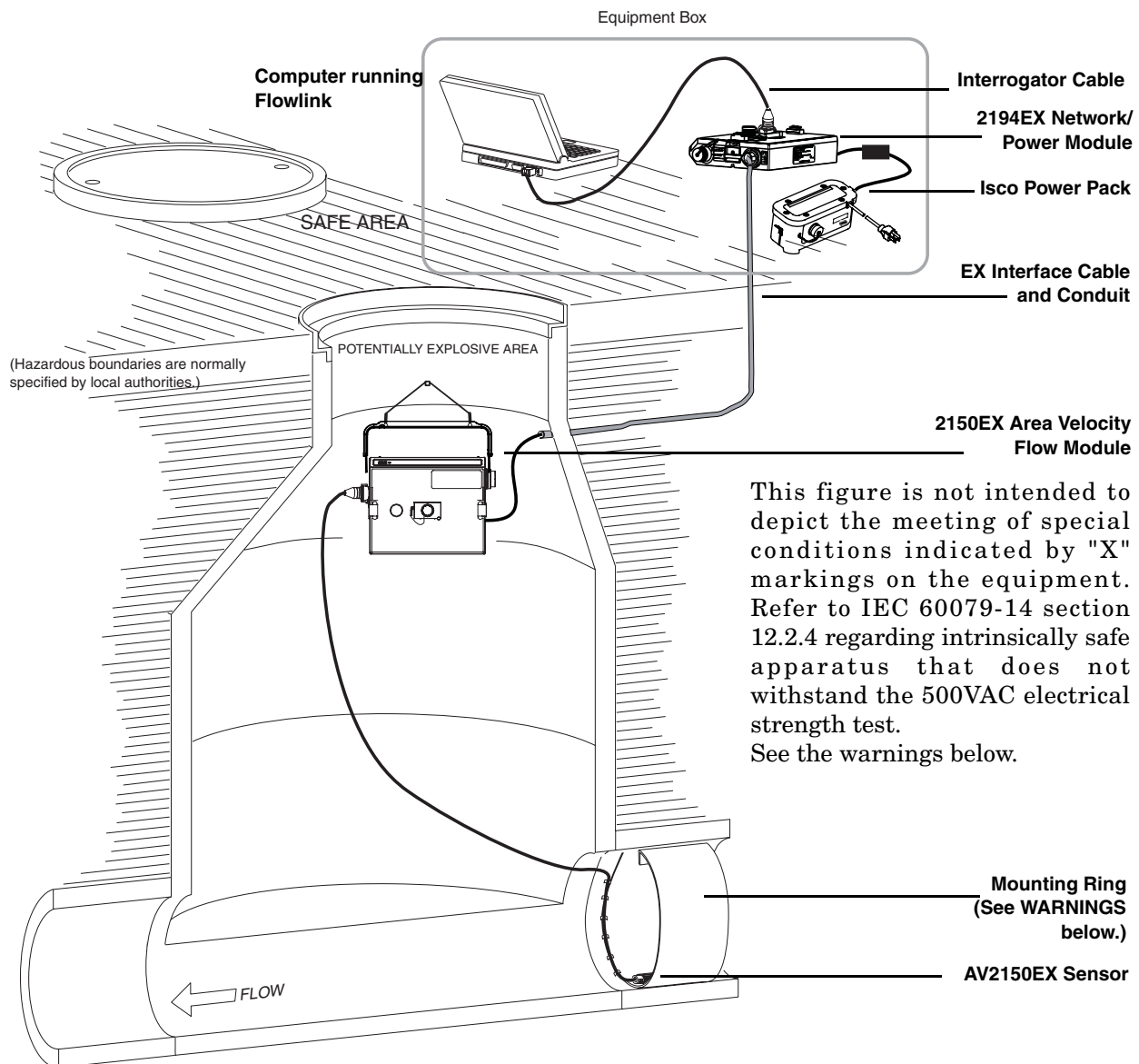


Figure 2-3 Typical Round-pipe Installation Connected to a 2194EX Module and Laptop
(Permanent Installation, see section 2.5)

WARNING

Due to the creation of a permanent grounding point between the sensor's transducer cover and the mounting ring when the sensor is installed, the 2150EX system can not withstand the 500 VAC test according to EN50020:2002 clause 6.4.12. Refer to IEC 60079-14, section 12.2.4, regarding earthing of intrinsically safe circuits.

 **WARNING**

The sensor mounting ring is a potential isolated charge carrier. Your installation MUST satisfy earthing requirements. Refer to IEC 60079-14 section 12.2.4 and IEC 60079-11.

2.4 Portable Installations

For portable installations, the 2150EX module is stacked with a 2191EX or 2196EX battery module. It communicates with a computer or 2100 Series network device via an EX Network Cable (for potentially explosive atmospheres) and an EX Isolator Cable.

The 2191EX module contains two sealed, replaceable battery packs for use in gas hazard zones 0, 1, and 2.

The 2196EX is a rechargeable module for use in gas hazard zones 1 and 2. For detailed information about the 2196EX, turn to section 2.4.6.

2.4.1 Installation Example

The following steps may be used as a guide to install a basic, portable 2150EX system, including the 2150EX module, the 2191EX battery module, and an AV2150EX sensor.

1. Prepare the Battery Module.
 - a. Install the battery packs (See section 2.4.2).
 - b. Inspect the desiccant (2.4.3).
2. Inspect 2150EX module desiccant (2.4.4).
3. Assemble the system.
 - a. Install the 2150EX module (2.4.5 and Figure 2-6).
 - b. Attach the AV2150EX sensor cable to the 2150EX module (2.7).
4. Install the AV2150EX sensor in the flow stream (2.7.1).
5. Connect the interrogation cable and connect to the site with *Flowlink* software (2.6).
 - a. Create the site by Quick Connecting to the modules.
 - b. Set up the site and module settings.
6. Disconnect from the site and replace all protective caps.

2.4.2 Install Battery Module Batteries

The 2191EX Battery Module requires two LTC2191EX 8 volt lithium battery packs (P/N 68-2000-022) or two SLA2191EX 8 volt lead-acid battery packs (P/N 68-2000-023). These packs are sealed and explosion protected, so they can be safely installed in a potentially explosive atmosphere.

 **WARNING**

Substitution of components will impair intrinsic safety.

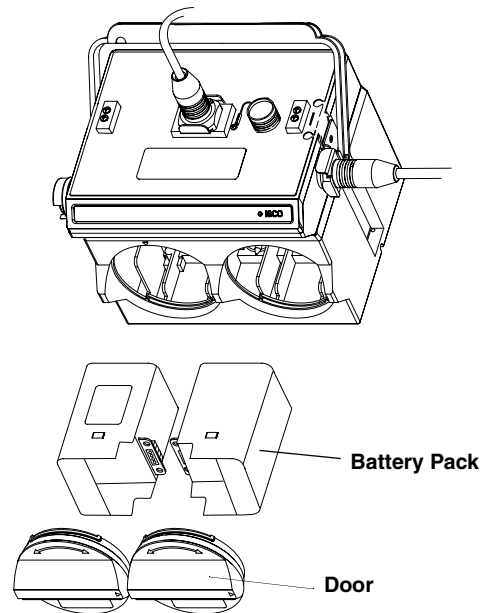


Figure 2-4 Illustration of Battery Packs



BATTERY PACK TYPE LTC2191EX
 Isco Part No. 602004341
 Isco, Inc. Lincoln, NE U.S.A. www.isco.com
 200A00001 - 2003
 © II 1 G EEEx ia IIB T4 (-40C < Ta < 60C)
 Baseefa04ATEX0014
 U_c = 9.282V P_c = 1.976W
 I_c = 1.877A R_i = 4.947ΩHM

BATTERY PACK TYPE SLA2191EX
 Isco Part No. 602004342
 Teledyne Isco, Inc. Lincoln, NE U.S.A. www.isco.com
 200A00001 - 2004
 © II 1 G EEEx ia IIB T4 (-40C < Ta < 60C)
 Baseefa04ATEX0339
 U_c = 9.282V P_c = 1.114W
 I_c = 1.876A

Figure 2-5 Label Markings for LTC2191EX and SLA2191EX Battery Packs

⚠ CAUTION

To avoid overloading the fuses in the LTC2191EX lithium battery packs, disconnect the 2150EX module(s) before installing or replacing the lithium battery packs. The SLA2191EX lead-acid battery packs do not contain fuses, and do not require that the 2150EX module(s) be disconnected.

If you are installing the LTC2191EX lithium battery packs, first disconnect the 2150EX module(s). If you are installing the SLA2191EX lead-acid battery packs, it is not necessary to disconnect the 2150EX module(s). Then:

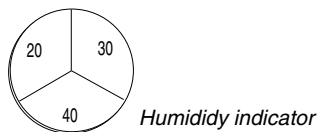
1. Remove the battery door. To remove the door, turn it $\frac{1}{4}$ turn counter-clockwise and pull it from the Battery Module.
2. Align the connectors and insert the new battery pack into the Battery Module.
3. Check the humidity indicator disk inside the door. (See section 2.4.3.)
4. Replace the door. Align the small triangle on the door with the triangle above the battery port, push inward, and rotate $\frac{1}{4}$ turn clockwise so the curved arrow is at the top of the door.

Repeat steps 1 through 4 to install the second battery pack. When finished, reconnect the 2150EX module(s).

 **Note**

The battery packs should always be replaced as a pair. Never mix old and new batteries. Battery packs should be disposed of according to local battery disposal regulations. The lead-acid battery packs should be recharged or recycled.

2.4.3 Inspect the Desiccant – Battery Module



A humidity indicator is mounted inside each battery cap on the Battery Module. The humidity indicators have regions that display 20, 30, and 40 percent humidity levels. Ideally each region should be completely blue. As the desiccant becomes saturated, the humidity levels will increase and the regions turn pink. When the 40 percent region turns pink, the Battery Module is no longer adequately protected and the desiccant must be replaced. Refer to section 5.4 for replacement instructions.

2.4.4 Inspect the Desiccant – 2150EX Module

A desiccant cartridge is inserted into the side of the 2150EX Module. The cartridge is filled with silica gel beads that will indicate when they are saturated. When dry, the beads are blue or yellow. As the desiccant becomes saturated, the humidity levels will increase and the beads turn pink or green. If the entire length of the desiccant cartridge turns pink or green, the reference air is no longer adequately protected and the desiccant must be replaced. Refer to section 5.4 for replacement instructions.

 **CAUTION**

Operating the 2150EX and sensor with saturated desiccant can cause many problems such as drifting level readings and permanent damage. It is important that the equipment is serviced often enough to prevent the entire desiccant cartridge from becoming saturated.

2.4.5 Assembling the System

The 2100 Series System is modular; you build the system by connecting modules together. The instructions in this section describe how to connect a 2150EX module to a 2191EX or 2196EX battery module in its most basic configuration — by stacking the two modules. The battery module must be at the bottom of the stack.

You can use multiple modules in a stack to increase the site's functions. A maximum of two 2150EX modules may be powered by one battery module, to avoid overloading the batteries. However, within a stack, you can have multiple sets of 2150EX/2191EX combinations.

Connection options

Keep in mind that stacking is not the only way to connect modules. The modules may be placed in remote locations and still operate as a single site. If you would like to use remote modules for your application, please consult with the factory or your representative to realize the full potential of your system.

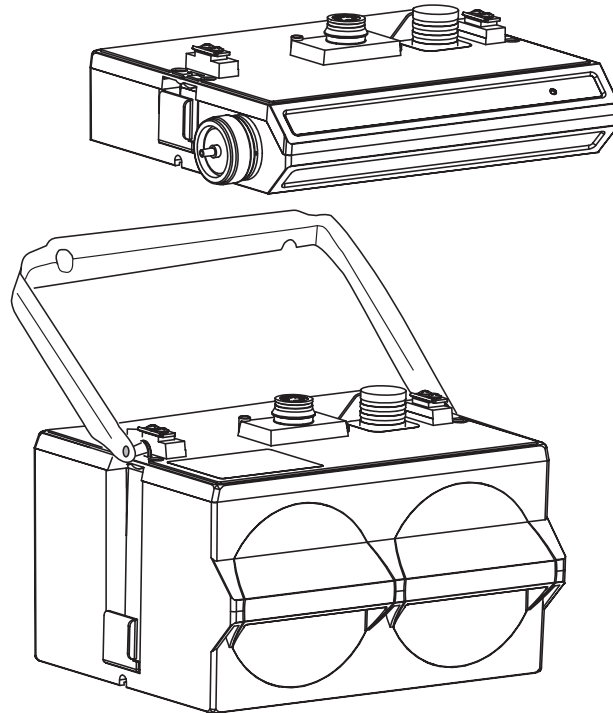


Figure 2-6 Assembling a basic portable system

Connecting the Modules

To connect the 2150EX and 2191EX/2196EX modules, refer to the following instructions and Figure 2-6.

1. On the top of the battery module, remove the cap and stow it on the holder. This exposes the communication connector.
2. Prepare the battery module's communication connector:
 - a. Inspect the connector. It should be clean and dry. Damaged O-rings must be replaced. Spare O-rings (P/N 202-1006-69) are supplied in the 2191EX maintenance kit (60-2009-332).

- b. Coat the O-ring's sealing surface with a *silicone* lubricant. (A small quantity of lubricant is supplied in the maintenance kit.)

 **CAUTION**

Do not use petroleum-based lubricants. Petroleum-based lubricants will cause the O-ring to swell and eventually deteriorate. Aerosol silicone lubricant sprays often use petroleum based propellants. If you are using an aerosol spray, allow a few minutes for the propellant to evaporate before proceeding.

3. Place the carrying handle on the battery module. (If you are stacking two 2150EX modules on top of the 2191EX/2196EX, position the handle between the 2150EX modules.)
4. Unlock the 2150EX module's latch by pressing in on the latch release (right side).
5. Underneath the 2150EX, remove the cap from the lower communication connector and stow it in the holder.
6. Lock the latch. Locking the latch correctly seats and aligns the lower cap in its holder.
7. Position the 2150EX over the 2191EX/2196EX battery module. Align the connectors and lower the 2150EX onto the 2191EX/2196EX.
8. Unlock the 2150EX module's latch by pressing in on the latch release (right side).
9. Firmly press the modules together and lock the 2150EX module's latch (left side).

The communications indicator will blink during the start-up routine to indicate the 2150EX is operating.

 **Note**

Unused communication ports on the top and bottom of the stack must be capped. The connector caps terminate the communication lines and protect the pins.

2.4.6 Zone 1 Battery Module

The Model 2196EX is a rechargeable battery module for zones 1 and 2 that offers indication of declining voltage prior to power interruption, with two batteries permanently contained in an IP68 enclosure. See Figure 2-10 for X marking and port labeling. The 2196EX may be safely connected to or disconnected from a 2150EX flow module within a hazardous area.

Note

The 2196EX is for use in gas hazard zones 1 and 2. It is not approved for use in zone 0 installations, in accordance with IEC 60079-14.

The 2196EX module has no port or latches on the bottom of the case; therefore, it can only be installed on the bottom of a module stack. One 2196EX module can power one or two 2150EX flow modules with sensors attached.

The 2196EX uses two fully rechargeable, nonreplaceable lead-acid batteries.

Never operate or store the 2196EX at temperatures above 140 °F (60 °C). Operate the 2196EX below 86 °F (30 °C) for maximum service life. For prolonged shelf life, the 2196EX should be stored at 50 °F (10 °C) or lower in a fully charged state.

Battery protection

The module protects the lead-acid batteries from damage due to deep discharge by first indicating critically low voltage through Flowlink software, and then by shutting off when the voltage becomes critically low.

As the 2196EX output voltage decreases to a value near the 7-volt shut-off threshold, Flowlink software will issue a low-voltage warning (Figure 2-7).

Neither of these protective functions should become necessary on a regular basis. Check the battery voltage reading regularly, according to your specific application, and recharge the batteries before the warning appears.

The voltage may also be tested with a voltmeter at the port connector on pins c (+) and d (-), or on the internal circuit board (see the test points shown in Figure 2-8).



2196EX port connector

Note

There is a 60K ohm resistor in series with the voltage sensing circuit. The voltage reading measured on the circuit board may have slight variance, depending on the voltmeter used.

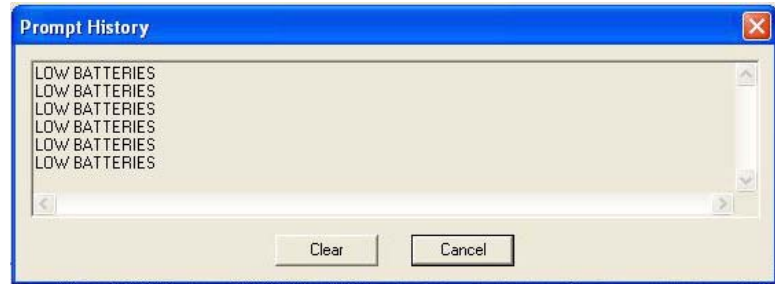


Figure 2-7 Flowlink low-voltage warning

 **CAUTION**

A 2196EX module kept in storage for extended periods should be recharged approximately every six to nine months. The battery voltage should never be allowed to fall below 10.5 volts before recharging. Deep discharge of the lead-acid batteries can lead to permanent loss of capacity.

Charging

The 2196EX module requires a lead-acid battery charger with a maximum rating of 20 volts, 2 amps. The module is fused for protection against excessive current (see Figure 2-9).

 **WARNING**

Do not charge the 2196EX in a potentially explosive environment. Charge only in a safe area.

 **WARNING**

When charging the 2196EX, observe maximum voltage ratings of $U_m = 250V$ and $U_n = 20V$. The charger output must not exceed 20 volts or 2 amperes as labeled.

In order to recharge the batteries, the 2196EX module case must be opened. Unlike other 2100 modules, which have two desiccant holders, the 2196EX has only one, located on the inside of the right compartment door.

 **Note**

During the charging process, the 2196EX case must remain open, exposing the desiccant to the atmosphere. Teledyne Isco recommends storing the desiccant in an airtight container while charging the batteries. Check the humidity indicator on the inside of the door whenever it is opened and ensure that only dry desiccant is installed when re-sealing the case.

The charging terminals are located on the circuit board mounted on the inside of the left compartment door (Figures 2-8 and 2-9, + and -). A cable ending in alligator clips may be connected to these terminals for charging.

CAUTION

The circuit board is permanently connected to the interior of the module. Use care when opening the case that the wires are not damaged.

During charging, the yellow LED on the circuit board remains on to indicate charge voltage in correct polarity. The replaceable 2A fuse on the back side of the board protects against excessive current.

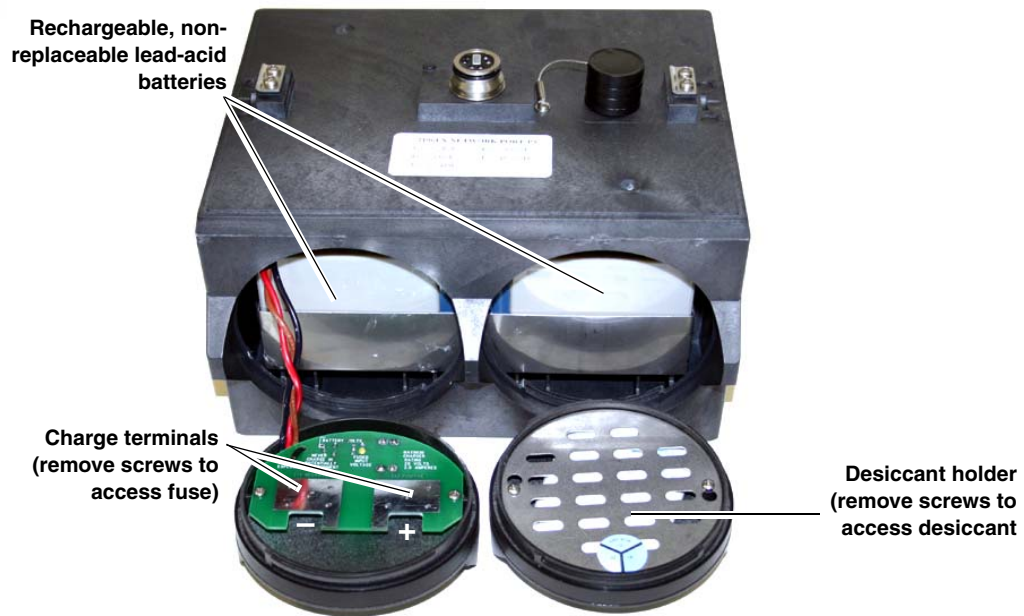
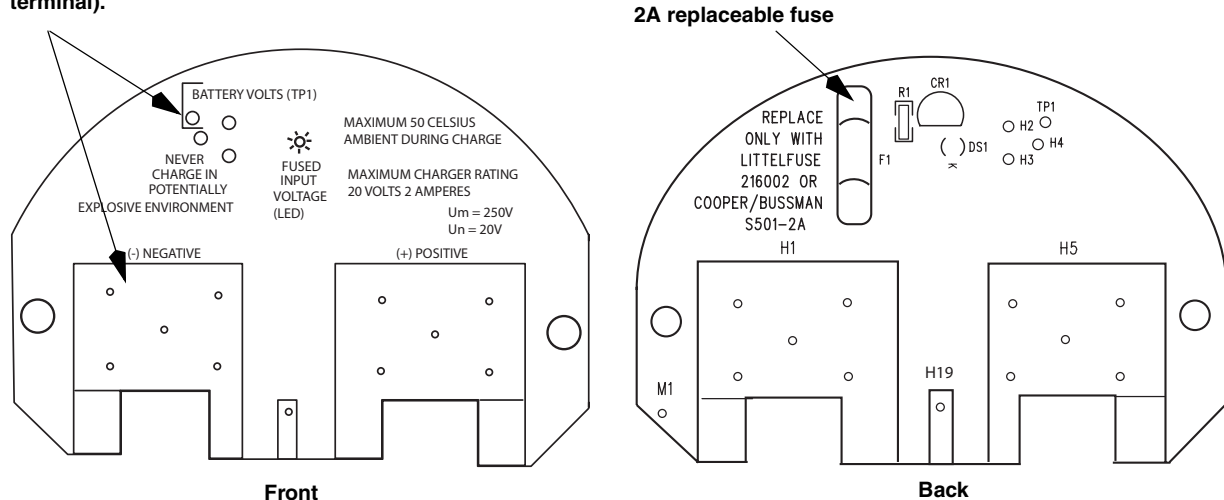


Figure 2-8 Location of 2196EX charging terminals

Measure the voltage between Test Point 1 and H5 (negative terminal).



There is a 60K ohm resistor in series with the voltage sensing circuit. The voltage reading measured on the circuit board may have slight variance, depending on the voltmeter used.

Figure 2-9 Detailed view of charging circuit board

Fuse replacement

To access the 2A charge fuse (F1), remove the two mounting screws holding the circuit board inside the compartment lid. Replace the fuse with the specified Littlefuse 216002 or Cooper/Bussman S501 only (Isco part #411-9922-60).

Charger options

See Appendix B for part numbers and ordering information.

The 2196EX can be charged using the Isco Model 965 five-station battery charger, or the Isco Model 963 desktop charger. The 965 has five 2-pin amphenol connectors on the front. The 963 has a single, 2-pin amphenol cable. Both chargers require an adaptor cable for use with the 2196EX (Isco part #60-1394-023), and are user-switched for 120/240VAC, 50/60Hz applications.

The 965 provides greater charging voltage, and can therefore charge to a higher capacity than the other chargers offered. However, because of this, the module should not remain connected to it beyond the charging period.

CAUTION

The module should not remain connected to the Isco Model 965 charger after the Battery Voltage measured at TP1 reaches 13.8 volts. Over time, overcharging can decrease the water content of the batteries' electrolyte, causing premature aging.

The 963 is a float mode charger, using a lower voltage, which reduces the risk of overcharging. It can fully charge the module in 16-24 hours maximum.

Teledyne Isco also offers a 2-Amp charger that includes a connect cable ending in alligator clips, indicator lights for maximum output and float voltage, and protection against reverse polarity. It can charge the 2196EX to in about 6 hours. The charger is compatible with 125/240 VAC input.

*Important Information
Regarding "X" Marking*

The ATEX labeling on the serial tag of the 2196EX module shows a number ending in "X". The X marking indicates that there are special conditions that must be met to ensure safety, as explained on page *vi* in the front of this manual.

WARNING

Ensure that the 2196EX module case is never subjected to physical impact with enough force to cause cracking during transport, installation, operation, or storage. Damage to the case can compromise the unit's safety.

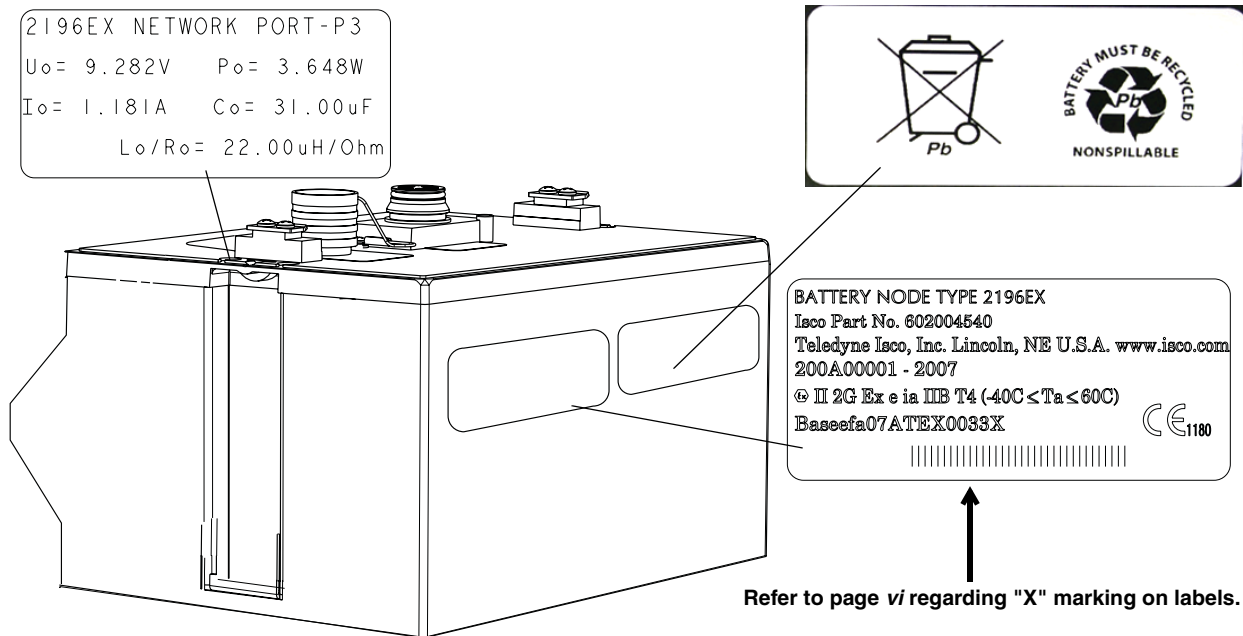


Figure 2-10 2196EX battery module and labeling

2.5 Permanent Installations

For permanent installations, the 2150EX can be powered from a safe area by an associated apparatus, the 2194EX module. The 2194EX also serves as a network interface, with network and RS232 communication via the top connector. The 2194EX requires 12 or 24 volts DC, and may be powered by an Isco 910/920 series power pack, 934 NiCad battery, or 940 series lead acid battery using power adapter cable 69-2004-451. For details about these power supplies, see Isco's Power Products Guide (60-9003-092).

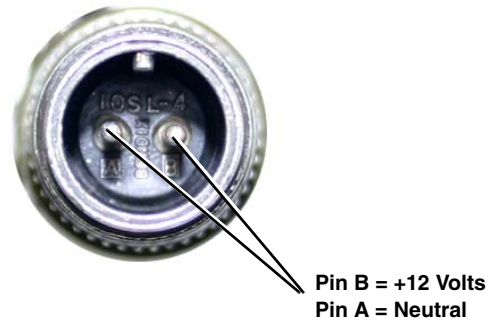


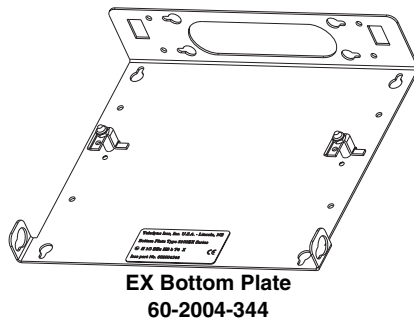
Figure 2-11 Amphenol connector pins for 12V adapter cable 69-2004-451

Note

Isco AC power supplies do not provide galvanic isolation in accordance with IEC 60079-14 for Zone 0 installations.

Connection to the 2194EX module requires the network interface cable. The cable's molded connector plug will connect to the bottom communication port of the 2150EX module. The other end will enter the safe area, usually via conduit.

Make sure the 2150EX is secured so that it will not accidentally fall or be swept away by flooding. Mount the 2150EX onto the EX bottom plate (60-2004-344) for suspension over the flow stream. Use the notched holes in the plate to insert fasteners to secure the module to a wall, or attach a carrying handle and suspension handle (P/N 69-2003-271 and P/N 60-1704-017), which can be secured to a ladder rung.



Two interface cable assemblies are available from Teledyne Isco: 75m (60-2004-337) and 150m (60-2004-338). You must cut the cable to the appropriate length and wire it to the socket insert of the 2194EX's J1 interface connector (Figures 2-12 and 2-15), which is clearly marked with the proper entity parameters. To power one 2150EX module, the cable must be 150 meters or shorter. To power two 2150EX modules, the cable must be 75 meters or shorter.

Observe intrinsic safety requirements regarding proximity to external sources of potential electric or magnetic interference. Refer to IEC 10079-14 section 12.2.2.5 on installation of cables and wiring.

 **WARNING**

Do not coil the interface cable; this will form an inductor and create a hazard. The cable should be kept as short as is practical.

Teledyne Isco strongly recommends that you route the interface cable through conduit between the safe and hazardous areas. Two different sizes of conduit fittings are provided with the interface cable assembly (Figure 2-14).

2.5.1 Installation Example

The following steps may be used as a summary guide to install a basic, permanent 2150EX system, including the 2150EX module, the 2194EX power module, and an AV2150EX sensor. The setup will look similar to Figure 2-3.

1. Inspect 2150EX and 2194EX module desiccant (2.4.4).
2. Install the interface cable.

 **WARNING**

Do not coil the cable; this will form an inductor and create a hazard. The cable should be kept as short as is practical.

3. Assemble the system.
 - a. Install the 2150EX module.
 - b. Install the 2194EX module in the safe area.
 - c. Attach the AV2150EX sensor cable to the 2150EX module (2.7).
4. Install the AV2150EX sensor in the flow stream (2.7.1).
5. Connect the interface cable between the 2150EX and 2194EX.
6. Connect the interrogation cable to the 2194EX and connect to the site with *Flowlink* software.
 - a. Create the site by Quick Connecting to the modules.
 - b. Set up the site and module settings.
 - c. Disconnect from the site and replace all protective caps.

Important Information Regarding "X" Marking

The ATEX labeling on the serial tag of the 2194EX module shows a number ending in "X". The X marking indicates that there are special conditions that must be met to ensure intrinsic safety, as explained on page *vi* in the front of this manual.

In the case of the 2194EX, this associated apparatus does not provide the galvanic isolation required for zone 0 installations in accordance with IEC 60079-14 (refer to IEC 60079-14 sections dealing with earthing of intrinsically safe circuits and installations for zone 0) when powered by an Isco AC power source.

2150EX Area Velocity Flow Module
 Section 2 Preparation and Installation

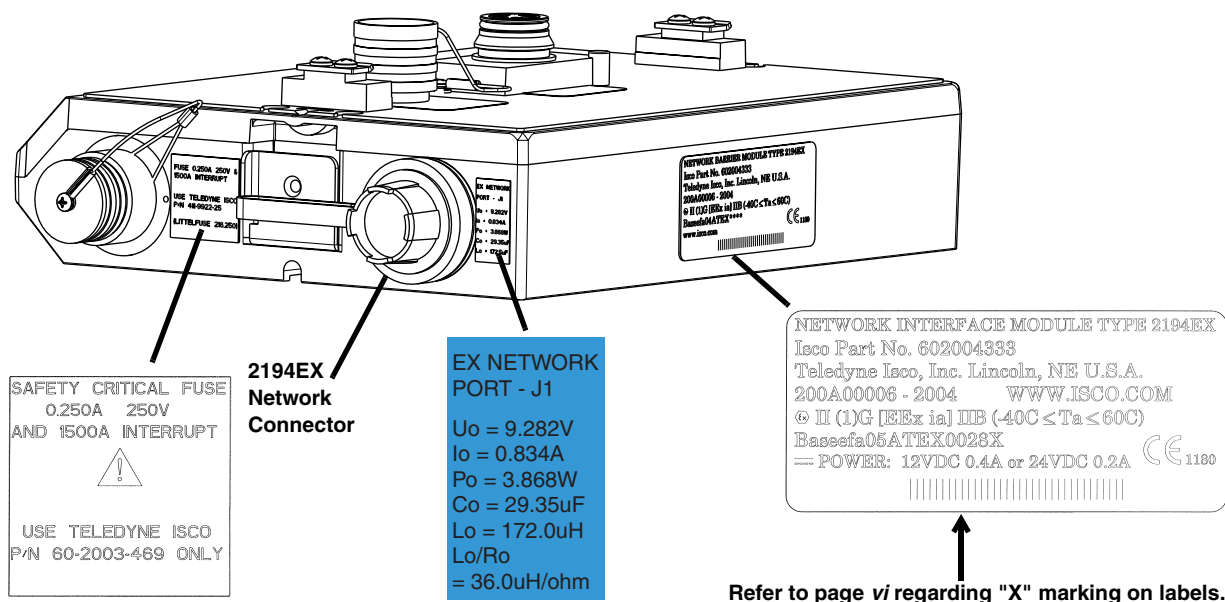


Figure 2-12 2194EX labels and cable connector

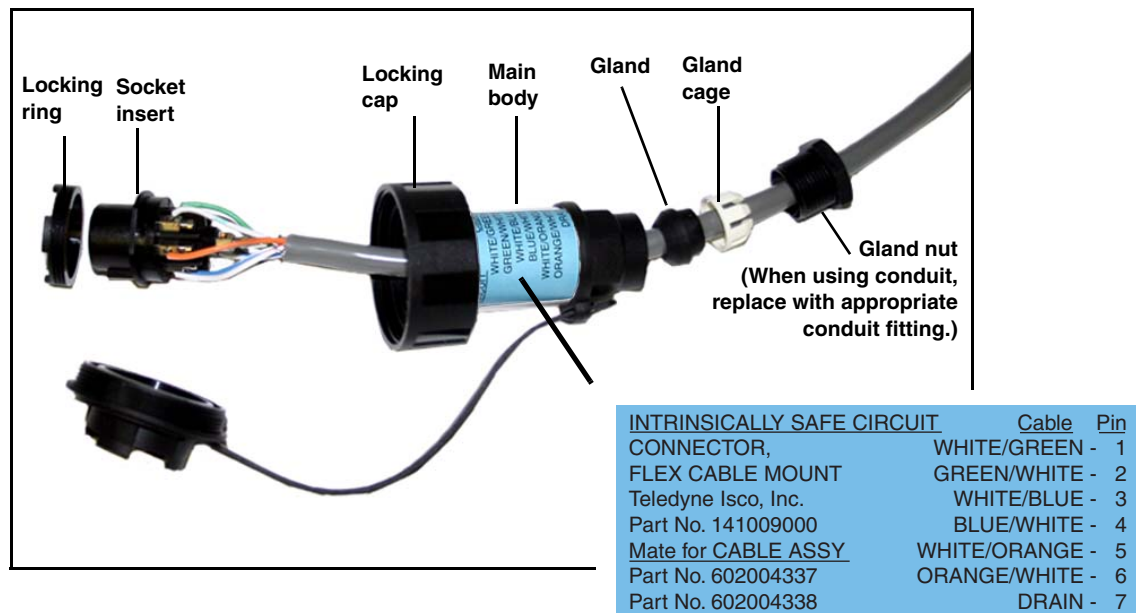


Figure 2-13 Network cable connector and wiring



Figure 2-14 Network cable conduit fittings

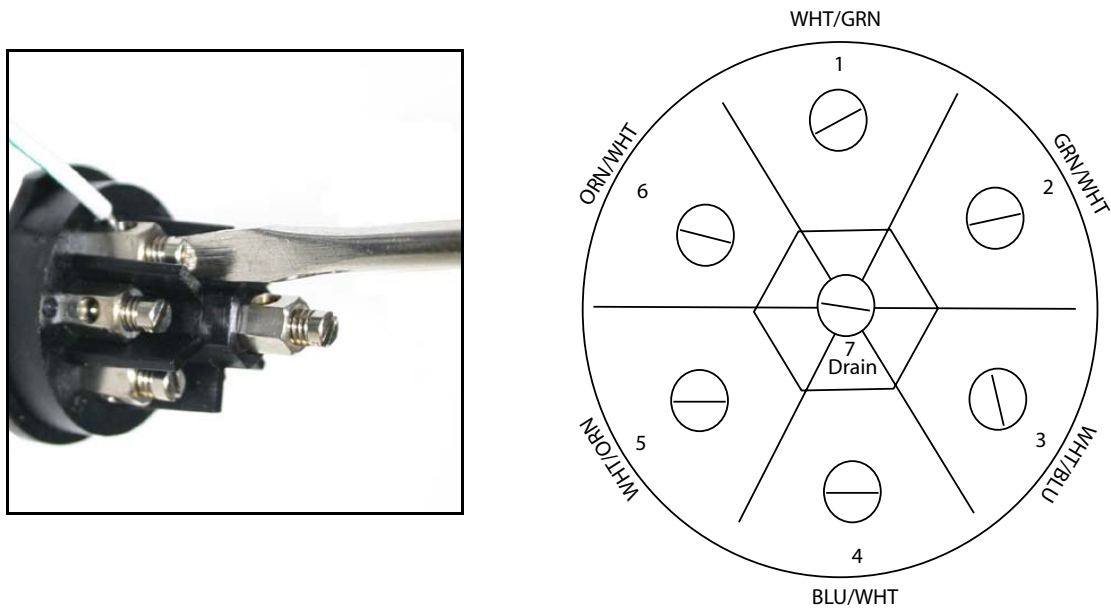


Figure 2-15 Wiring the socket insert

2.6 Network Communication

To connect the 2150EX for network communication, one or two of three different cables are required, depending on the type of communication, whether the installation is portable or permanent, and whether or not the flow module installation is in a hazardous area.

2.6.1 EX Network Cable

The EX Network cable (2m P/N 60-2004-335, 8m P/N 60-2004-336) connects to the top of the 2150EX stack and extends to the interface of the safe and hazardous areas, where the actual isolation is located.



Figure 2-16 EX Network Cable for Connection to an Isolator Cable

To connect the EX Network and RS232EX isolator cables:

1. Remove the protective cap from the communication connector on the top of the 2150EX module.
2. Store the protective cap in the holder next to the connector.
3. Push the 6-pin end of the EX Network cable onto the communication connector on the top of the 2150EX module.
Use care, so you do not misalign the pins and cause any short circuits.
4. Route the cable as shown in Figure 2-1, so the other end of the EX Network cable is at the interface of the safe and hazardous areas.
5. Attach the hazardous area end of the RS232EX isolator cable to the EX Network cable coming from the 2150EX. Use care, so you do not misalign the pins and cause any short circuits! Attach the other end of the RS232EX cable to the appropriate port on your computer.

Note

You can safely connect and disconnect the RS232EX cable from the EX Network cable without removing the 2150EX module or the EX Network cable from the potentially explosive atmosphere.

When the communication connector is not in use, it should always be capped to prevent corrosion and improve communications. When the communication connector is in use, store the cap on the holder next to the connector.

CAUTION

Caps **PUSH ON** and **PULL OFF**. Do not rotate the caps to remove them from the connectors.

2.6.2 Connecting to a Computer for Interrogation

The 2150EX module can be connected to a computer located in a safe area, using Isco's Flowlink software (see Figure 2-1). In order for the 2150EX to communicate with a computer, the two must be connected by an Isco RS232EX Isolator Cable (P/N 60-2004-339). The hazardous area end, labeled with proper entity parameters, connects to the EX Network cable. This enables you to update the 2150EX's software without entering the potentially explosive atmosphere.

Observe intrinsic safety requirements regarding proximity to external sources of potential electric or magnetic interference. Refer to IEC 10079-14 section 12.2.2.5 on installation of cables and wiring.

If the 2150EX and AV 2150EX sensor are *not* located in a potentially explosive atmosphere, the RS232EX isolator cable can be connected directly to the top of the 2150EX.

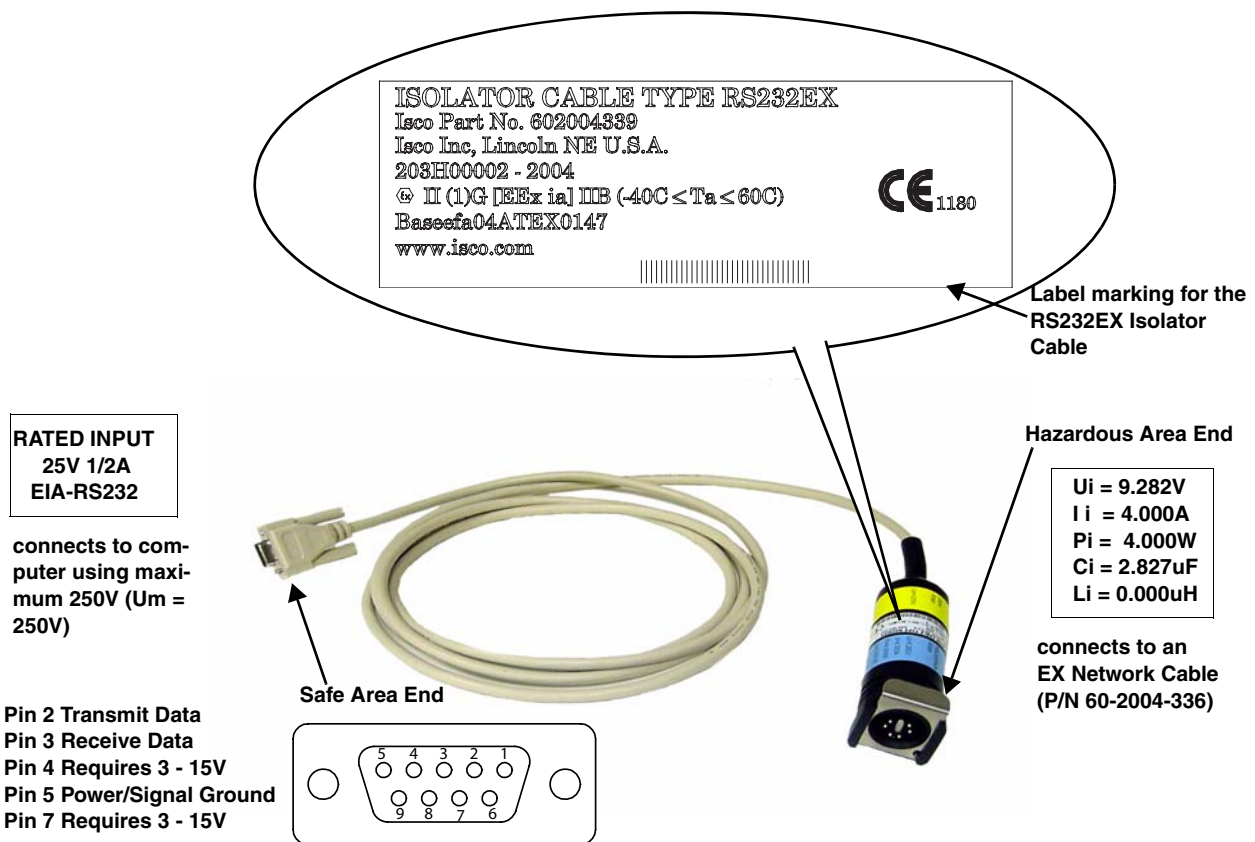


Figure 2-17 RS232EX Isolator Cable for Connection to a Computer

2.6.3 Connecting to a 2100 Series Network Device

The 2150EX can be connected to a 2100 Series network device located in a safe area (with the exception of the 2102 Wireless module). In order for the 2150EX to communicate with a 2100

Series network device other than the 2194EX, the two must be connected by an Isco RS485EX Isolator Cable (P/N 60-2004-340). The hazardous area end, labeled with proper entity parameters, connects to the EX Network cable.

Observe intrinsic safety requirements regarding proximity to external sources of potential electric or magnetic interference. Refer to IEC 10079-14 section 12.2.2.5 on installation of cables and wiring.

If the 2150EX and AV2150EX sensor are *not* located in a potentially explosive atmosphere, the RS485EX isolator cable can be connected directly to the top of the 2150EX.

A site example using the Field Wizard is shown in Figure 2-2.

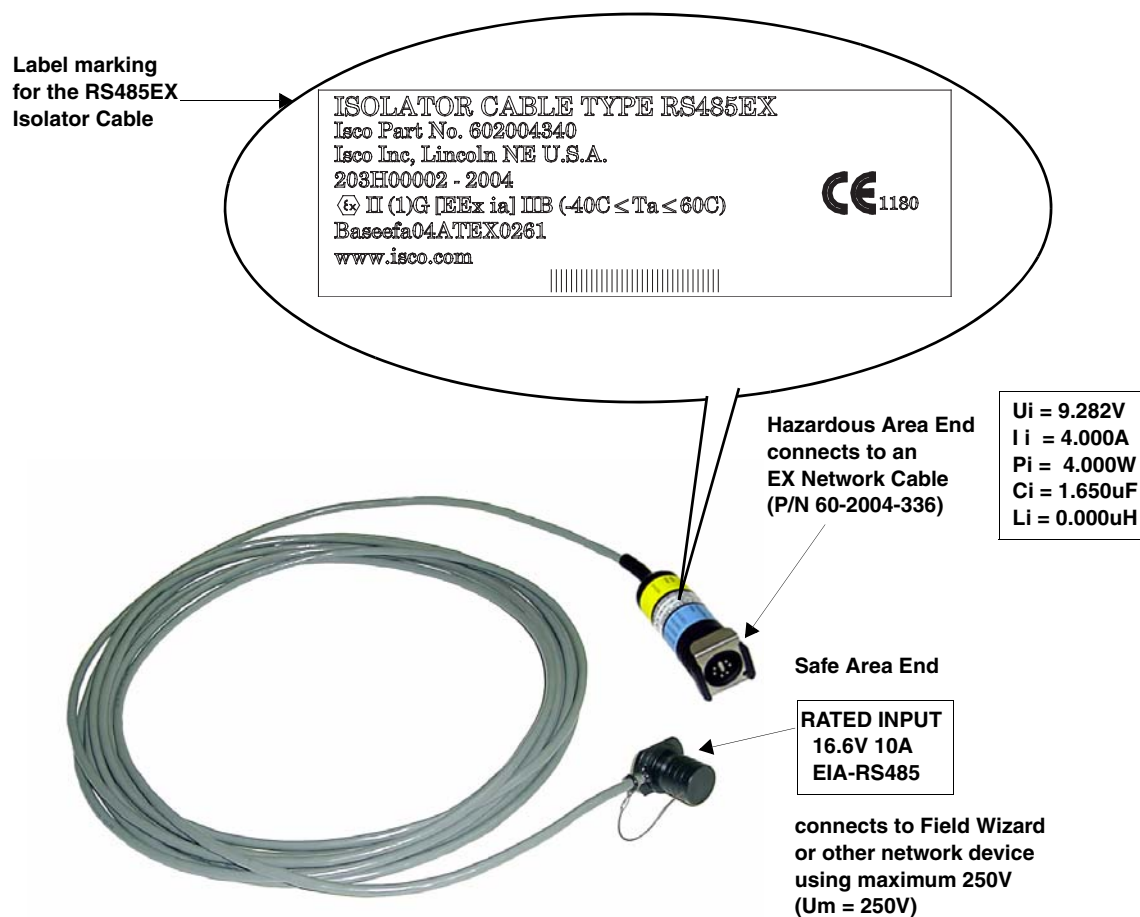


Figure 2-18 RS485EX Isolator Cable for Connection to a 2100 Series Network Device

To connect the EX Network and RS485EX isolator cables:

1. Remove the protective cap from the communication connector on the top of the 2150EX module.
2. Store the protective cap in the holder next to the connector.
3. Push the 6-pin end of the EX Network cable onto the communication connector on the top of the 2150EX module.

Use care, so you do not misalign the pins and cause any short circuits!

4. Route the cable as shown in Figure 2-2, so the other end of the EX Network cable is at the interface of the safe and hazardous areas.
5. Attach the hazardous area end (with yellow/blue label) of the RS485EX cable to the EX Network cable coming from the 2150EX. Use care, so you do not misalign the pins and cause any short circuits! Attach the other end of the RS485EX cable to the communication connector on the power supply for the Field Wizard or other network device.

 **Note**

You can safely connect and disconnect the RS485EX cable from the EX Network cable without removing the 2150EX module from the potentially explosive atmosphere.

When the communication connector is not in use, it should always be capped to prevent corrosion and improve communications. When the communication connector is in use, store the cap on the holder next to the connector.

 **Note**

Caps **PUSH ON** and **PULL OFF**. Do not rotate the caps to remove them from the connectors.

2.7 Connecting the AV2150EX Sensor

The AV2150EX sensor cable attaches to the sensor receptacle on the 2150EX module.

To connect the AV Sensor (refer to Figure 2-19):

1. Remove the protective caps:
 - a. On the 2150EX, push down on the sensor release while pulling the protective cap from the receptacle.
 - b. On the AV Sensor cable, pull the cap from the end of its connector.
2. Prepare the AV Sensor connector:
 - a. Inspect the connector. It should be clean and dry. Damaged O-rings must be replaced. Spare O-rings (P/N 202-1006-69) are supplied in the 2150EX maintenance kit (60-2059-001).
 - b. Coat the O-ring's sealing surface with a *silicone* lubricant.

 **CAUTION**

Do not use petroleum-based lubricants. Petroleum-based lubricants will cause the O-ring to swell and eventually deteriorate. Aerosol silicone lubricant sprays often use petroleum based propellants. If you are using an aerosol spray, allow a few minutes for the propellant to evaporate before proceeding.

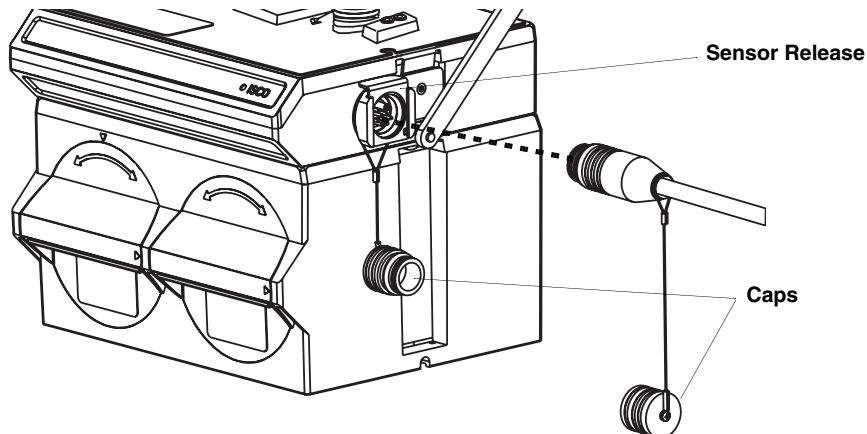


Figure 2-19 Connecting the AV Sensor

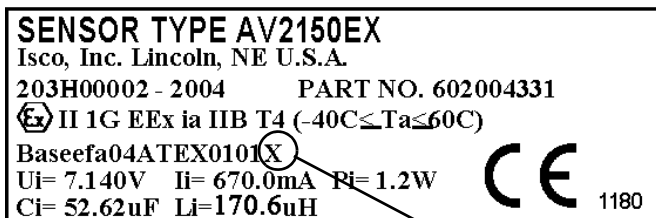
3. Align and insert the connector. The sensor release will *click* when the sensor connector is fully seated.
4. Connect the two caps together.

*Important Information
 Regarding "X" Marking*

The ATEX labeling on the sensor's serial tag shows a number ending in "X". The X marking indicates that there are special conditions that must be met to ensure safety, as explained on page *vi* in the front of this manual.

⚠ CAUTION

The AV2150EX sensor is labeled and X-marked for special usage conditions in order to prevent static electricity. Avoid conditions that may generate a static charge, such as rubbing the AV2150EX with static producing cloth.



X-Marking

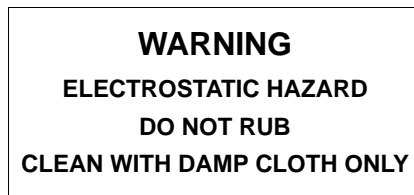
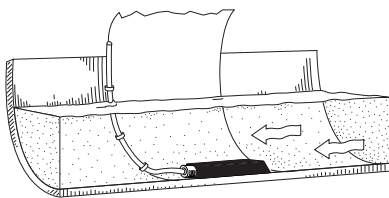


Figure 2-20 AV2150EX Sensor Cable Labels

2.7.1 Positioning the AV Sensor



Ideal Conditions - Uniform Flow

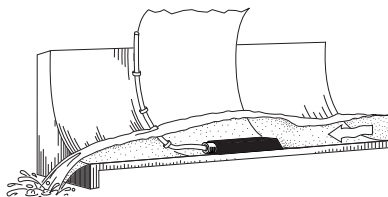
Sensor installation is discussed in Section 2.8 of this manual. Consult your Isco Mounting Rings instruction manual for detailed hardware information. This section explains how to position the AV Sensor in flow streams.

Several factors concerning the AV Sensor's installation may affect your system's performance. Review the following to understand how to obtain the best results:

Uniform flow - The AV Sensor provides the best results in flow streams with uniform flow. An example of uniform flow is shown in the margin.

Avoid poor channel conditions - Poor channel conditions may cause incorrect or erratic readings. Areas to avoid are:

- outfalls or channel intersections
- flow streams at very low levels with high flow rates
- turbulence
- channel sections that are apt to collect debris or silt
- depths that consistently run below 2.54 cm (1 inch).



Poor Conditions

Install the AV Sensor in streams where the liquid covers the sensor. The AV Sensor can detect levels above approximately 1.0 cm (0.4 inch) and typically can measure velocities in streams as low as 2.54 cm (1 inch). Streams that run consistently below 2.54 cm are not a good application for the 2150EX.

The example in the margin shows an illustration of these poor conditions. The outfall is drawing down the liquid level and the AV Sensor is disturbing the flow. In this example, the AV Sensor should be moved forward to avoid the drawdown near the outfall.

Offsets - You can install the AV Sensor above the bottom of the flow stream or along the side of the channel, as long as it will be continually submerged. The 2150EX can be adjusted to measure level with the AV Sensor at nearly any depth. The AV Sensor cannot, of course, measure a liquid level that falls below its position in the flow stream.

Installing the AV Sensor above the bottom has advantages:

- It avoids heavy concentrations of silt, sand, or other solids.
- It aids installation in narrow or hard-to-reach locations.
- It maximizes level resolution over a specific level range.
- It can avoid obstructions in the flow stream.

When the AV Sensor is installed above the bottom of the channel, a *Zero Level Offset* must be entered in the program settings (see Section 3.3.2).

Liquid properties - Velocity measurements depend on the presence of some particles in the stream such as suspended solids or air bubbles. If the stream lacks particles it may be necessary to aerate the water upstream from the sensor.

Handle with care - Abusive handling will damage the AV Sensor. Although the AV Sensor will survive normal handling and installation, treat the sensor with reasonable care. The internal components cannot be repaired.

 **CAUTION**

The vent tube inside the sensor cable must remain open. Do not kink the cable or overtighten the plastic ties while securing the cable.

 **WARNING**

Do not coil the sensor cable. This will form an inductor and create a hazard.

Secure the cable - We recommend that you secure the cable in place. Tying off the cable can often prevent lost equipment if excessive flow dislodges the sensor and its mounting.

2.8 Mounting Rings

Consult your Isco Mounting Rings instruction manual for detailed hardware information.

The following sections describe sensor installation using the two options available for mounting the AV sensor in pipes or round-bottomed flow streams. For pipes up to 15" (38 cm) in diameter, **stainless steel self-expanding mounting rings (Spring Rings)** are available. For pipes larger than 15" in diameter, Teledyne Isco offers the **Scissors Rings (Universal Mounting Rings)**. Area velocity sensors can also be installed using primary measuring devices.

 **WARNING**

Due to the creation of a permanent grounding point between the sensor's transducer cover and the mounting ring when the sensor is installed, the 2150EX system can not withstand the 500 VAC test according to EN50020:2002 clause 6.4.12. Refer to IEC 60079-14, section 12.2.4, regarding earthing of intrinsically safe circuits.

 **WARNING**

The sensor mounting ring is a potential isolated charge carrier. Your installation MUST satisfy earthing requirements. Refer to IEC 60079-14 section 12.2.4 and IEC 60079-11.

2.8.1 Spring Rings

To install a spring ring, compress the ring, slip it inside the pipe, and then allow it to spring out to contact the inside diameter of the pipe. The inherent outward spring force of the ring firmly secures it in place. A typical self-expanding mounting ring (with a probe mounted on it) is shown in Figure 2-21.

These mounting rings are available for use in pipes with inside diameters of 15.2 cm (6"), 20.3 cm (8"), 25.4 cm (10"), 30.5 cm (12"), and 38.1 cm (15"). The Isco part numbers for the various size mounting rings available are listed in Appendix B. These part numbers include not only the ring, but also the miscellaneous hardware necessary to mount the sensor on the ring.

 **CAUTION**

Always wear leather gloves when handling the rings (either type). The metal is finished, but there is still a possibility of cutting your hands on the edges.

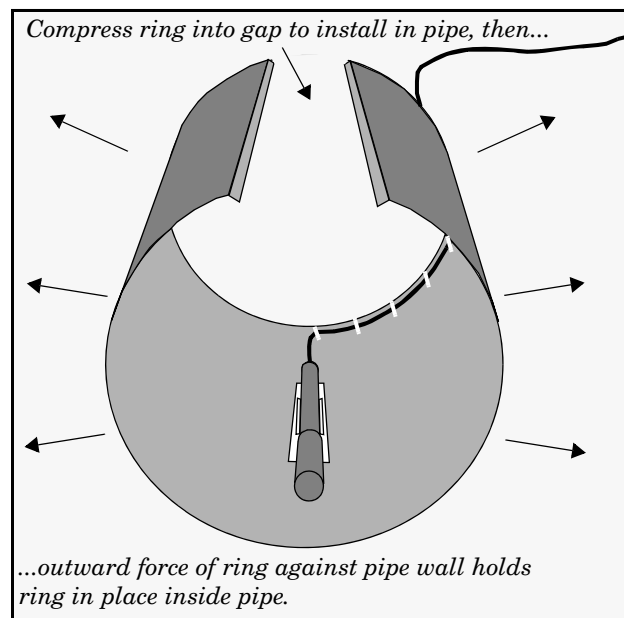


Figure 2-21 Sensor Installed on a Spring Ring

Attaching the Sensor to the Ring

Attach the AV sensor to the ring either by using two 4-40 countersink screws or by snapping the optional probe carrier to the ring. This second method of attaching the sensor allows for easy removal in case service is needed later.

 **CAUTION**

Make sure the slots on the AV sensor carrier are completely pressed into the tabs on the ring. This is particularly important where there is any possibility of reverse flows, or where flows are of high velocity. If the AV sensor is not fully pressed into the mounting ring tabs, it might come loose in the stream, and could possibly be damaged or lost.

Make sure the sensor cable is securely fastened along the back (downstream) edge of the ring. Otherwise, the sensor may provide **inaccurate level readings** under conditions of high velocity.

To complete the sensor-spring ring assembly procedure, attach the sensor cable to the downstream edge of the ring. Follow the cable routing shown in Figure 2-21. Other routing directions may affect measurement accuracy. The cable can actually create a stilling well downstream from the sensor, causing the level to read low. Use the self-locking plastic ties supplied with the ring. Install the ring in the pipe by compressing it. Press inward on both sides and slide the ring into the pipe.

Route the sensor cable out of the stream and secure it in position by placing the ties through the holes in the mounting ring and then locking them around the cable, as shown in figure 2-21.

 **CAUTION**

Do not overtighten the plastic cable ties; they should be tightened just enough to secure the cable in place, without greatly indenting the cable. Overtightening the plastic ties may collapse the reference tube in the cable, blocking it.

The spring ring may need anchoring. Under conditions of high velocity (greater than 1.5 meters per second or 5 feet per second), the ring may not have sufficient outward spring force to maintain a tight fit inside the pipe. The ring may start to lift off the bottom of the pipe, or may even be carried downstream.

This problem is more prevalent in the larger diameter pipes and in pipes with smooth inside surfaces, such as plastic pipes. If any of these conditions are present, or if movement of the mounting ring is detected or suspected, you must anchor the ring in place. You can do this by setting screws through the ring into the pipe, or by other appropriate means. If there is a problem with the smaller diameter rings, it may be sufficient to simply increase the outward spring force of the ring by bending it into a less round configuration.

2.8.2 Scissors Mounting Ring

For pipes larger than 15" in diameter, Teledyne Isco offers the adjustable Scissors Ring (also known as the Universal Mounting Ring). This device consists of two or more metal strips that lock together with tabs to form a single assembly. There is a base section where the sensors are mounted, two or more extension sections (usually), and a scissors section at the top that expands

the entire assembly and tightens it inside the pipe. The scissors section contains a long bolt that increases the length of the section as it is tightened.

The assembled scissors rings fit pipe diameters from 16" to 80". Secure the unit in place by tightening the scissors mechanism with a $\frac{5}{8}$ " socket wrench or other suitable tool. Ring sections are .040" thick half-hard 301 stainless steel sheet. All other parts are also stainless steel, except for the plastic cable ties in the hardware kit.

Each extension, 1, 2, 3, and 4, adds 9.0", 21.5", 31.5", or 41.5", respectively, to the circumference of the ring. Used alone, the base section fits a pipe that is approximately 16" to 19" in diameter. The 9.0" (smallest) extensions can be used to take up or remove slack, to bring the scissors mechanism into a position where it can be effectively tightened.

 **Note**

The hardware kit includes flat head bolts and nuts. Teledyne Isco strongly recommends bolting the assembled scissors ring together before installation, using the holes provided for that purpose. Bolting the tongue sections together can greatly increase safety and prevent the assembly from being torn apart.

Do not overtighten the mechanism. It is designed to flex somewhat to provide a positive lock, once moderately tightened.

For installations in larger channels and/or high flow, extensions 2, 3, and 4 have slots for attaching the ring to the channel wall using appropriate anchoring hardware.

 **WARNING**

Avoid prolonged use of excessive force when adjusting the equipment. This can create hot surfaces from the friction of screw or lever mechanisms, resulting in a potential ignition hazard if surface temperatures exceed the equipment's 135°C rating.

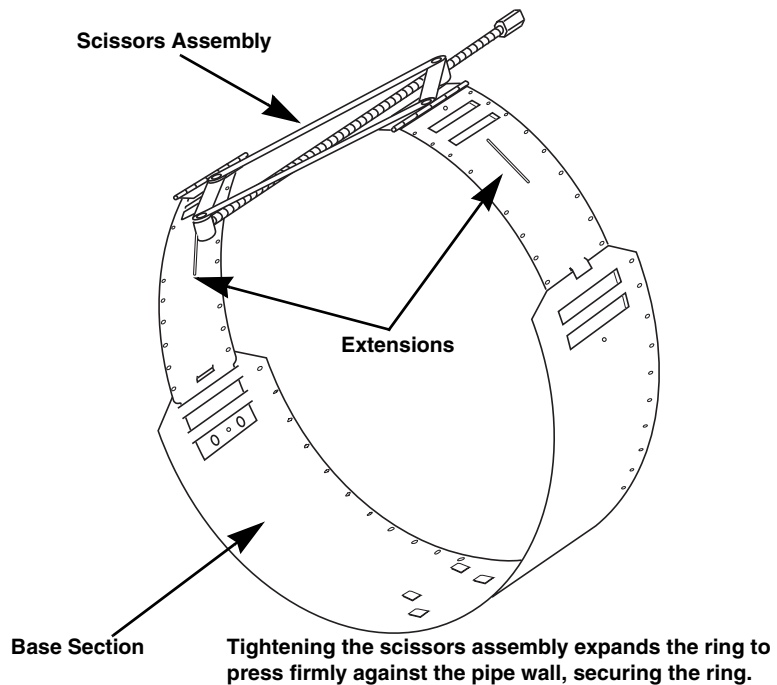


Figure 2-22 Scissors Ring adjustment

To prevent debris from catching on the probe cable, it is important to attach the cable to the mounting ring so it offers as little resistance to the flow as possible. Attach the sensor cable to the downstream edge of the ring, using the self-locking plastic ties supplied with the ring. Place the ties through the holes in the mounting ring and then lock them around the cable.

CAUTION

Do not overtighten the plastic cable ties; they should be tightened just enough to secure the cable in place, without greatly indenting the cable. Overtightening the plastic ties may collapse the reference tube in the cable, blocking it.

2.8.3 Completing the AV Sensor Installation

The AV sensor installation is finished by securing any excess sensor cable using cable clamps or other means.

The reference tube inside the cable can be restricted or blocked if the cable is kinked, sharply bent, coiled, or otherwise pinched. The sensor cable should be handled and mounted with care. Also, if there is any appreciable distance between the point where the sensor cable leaves the mounting apparatus and the location of the flow meter, *be sure* to attach the cable to the flow stream wall to prevent it from vibrating, moving around, tangling, or possibly collecting debris.

WARNING

Do not coil the sensor cable. This will form an inductor and create hazard.

 **CAUTION**

Under no circumstances should you leave any extra length of sensor cable dangling freely in the flow stream where it could trap debris or become tangled.

Use gloves and eye protection when assembling and installing the rings in a pipe. Though deburred, the edges of the stainless steel can cut if improperly handled. *Please read the information on how best to install this device.*

Observe general safety procedures when entering any manhole. See “General Safety Procedures” in the back of the manual for more information on general hazards and necessary precautions.

2.9 Final Installation Check

The system should be secured at the site. This prevents damage caused by accidental falls and from being swept away if the channel is flooded. In manholes, the module is often secured to a ladder rung. Teledyne Isco’s Customer Service Department or your local representative can assist you with installation options.

As you complete the installation, the following should be checked before leaving the site unattended:

1. The module should be positioned where it will be protected from submersion. Should the module become submerged, level readings may drift and the hydrophobic filter will seal to protect the reference air line.

 **Note**

To protect the 2150EX AV Flow module and sensor, the hydrophobic filter seals off the reference air line when it is exposed to excessive moisture. When sealed, the filter prevents irreparable damage, yet may cause the level readings to drift. This single-use filter must be replaced once it becomes sealed.

2. Make sure all of the protective caps are in place. An unused upper communication connection must be capped to prevent damage and terminate the communication line. If the communication connector is in use, its cap should be properly stowed. Like the module and sensor connections, the protective caps and their O-rings should be cleaned and coated with a silicone lubricant. Damaged O-rings must be replaced (P/N 202-1006-69).
3. Carefully route cables. Protect them from traffic in the area. Avoid leaving excess AV Sensor cable in the flow stream where it may collect debris.

2.9.1 Program the Module

After you have installed the AV Sensor in the flow stream, the flow stream properties must be defined. To do this, connect to the 2150EX with *Flowlink* software and define the stream properties in the 2150EX module’s program settings. These ensure that the system correctly reads the liquid level and converts the measured level to flow rate.

Note

The 2150EX requires Flowlink 4.1 or later. If you require two minute data storage intervals, you will need version 4.16 or later.

Refer to Section 3 and define the following properties:

- **Level** - Enter a liquid level measurement to adjust the level readings from the AV Sensor.
- **Zero Level Offset** – If the AV Sensor is not installed in the bottom-center of the channel, an offset distance must be entered.
- **Set Flow Rate to zero if no velocity data checkbox** - Determines how the 2150EX reports flow rates if stream velocity data is not available.
- **Flow Conversion** – The 2150EX can store flow rate readings. To correctly convert the measured level and velocity readings to a flow rate, the flow conversion method and channel properties should be defined.
- **Silt Level** – (*Area Velocity Flow Conversion Only*) The 2150EX can compensate for a build up of silt around the AV Sensor.

These five settings should be considered a minimum requirement. Other settings, such as *Data Storage Rates*, *Site Name*, and *Module Names*, also may be set using Flowlink.

2150EX Area Velocity Flow Module

Section 3 Programming

3.1 Overview

This section describes how to set up the operation of a 2150EX Area Velocity Flow Module using Isco's Flowlink software.

Note

The 2150EX requires Flowlink 4.1 or later. If you require two minute data storage intervals, you will need version 4.16 or later.

Flowlink Help

Detailed Flowlink instructions are beyond the scope of this manual. Flowlink's operating instructions are available in a Windows Help format. You can access the help topics for an active window by clicking on its *Help* button or by pressing F1 on your computer's keyboard. You can also access Help topics from a Contents and Index window (HELP>CONTENTS AND INDEX from the Flowlink menu).

3.2 Flowlink Connections

To allow interrogation of data using a computer connected to your 2150EX, you need to make the necessary connections to allow your computer to communicate with the site. Figure 3-1 shows a connection using Isco's RS232EX Isolator Cable, P/N 60-2004-339 and EX Network Cable (P/N 60-2004-336). Note that the computer must be positioned in a safe area. Use care in connecting cables so you do not misalign the pins and cause a short circuit.

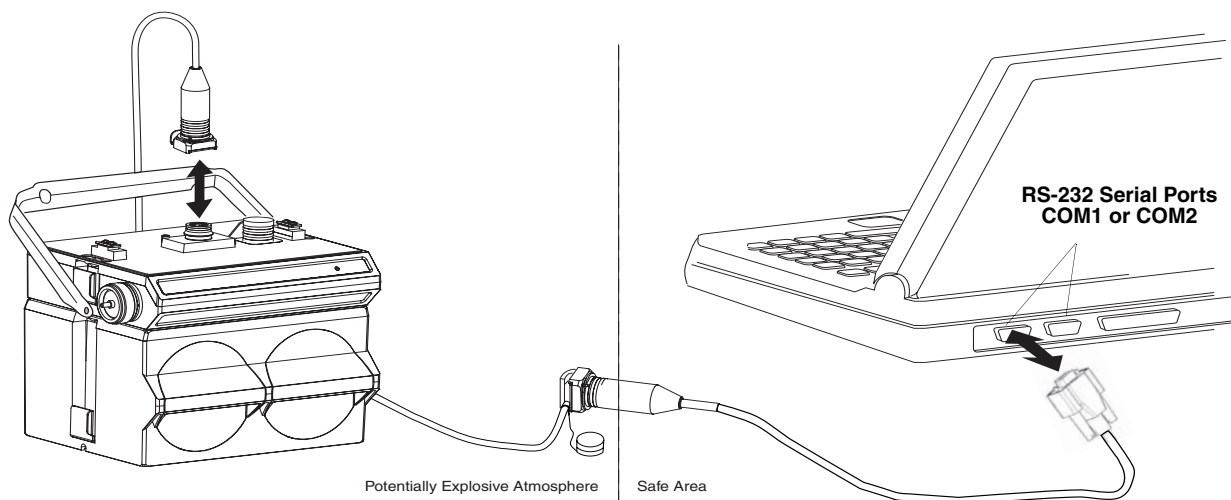


Figure 3-1 Connection to a Laptop, Using Cables P/N 60-2004-336 and 60-2004-339

An easy way to begin Flowlink communications with the site is to *Quick Connect*. As a default Flowlink setting, the Quick Connect dialog box opens when you start Flowlink. Click on the large *2100 Instruments* button to connect. Flowlink will read the 2100 system information and try to match it with an existing site in the open database. If Flowlink cannot find a match for the connected site, it creates a new site in the database.

3.2.1 Site Configuration Stability

During the connection process, Flowlink checks the stability of the site's configuration. If there are conflicts with the site configuration, Flowlink presents the *Network Resolution* window.

There are two common causes of site configuration conflicts. One cause is a Module Name conflict, which may occur when two or more modules at a site use the same module name. The second cause is a Site Name conflict, which occurs when a module added to the site indicates that it belongs to a different site.

The Network Resolution window lets you choose how the modules should be configured and which Site Name should be retained. To resolve the conflicts, select the actions that should be taken and click the OK button. Be aware that some actions will delete all data in the module.

3.3 Program Settings

Essential Settings

While connected, Flowlink displays the *Site View* window. This window contains all of the program settings that control the site's operation. The settings are grouped, or categorized, using five tabs: Measurements, Site Info, Modules, Data Storage, and a variable tab used to set up the various measurement types.

Some program settings are essential to the operation of an 2150EX and its attached AV2150EX Sensor. Five program settings should always be verified when setting up a new site:

- **Level** - Enter a liquid level measurement to adjust the level readings from the AV Sensor (3.3.1).
- **Zero Level Offset** – If the AV Sensor is not installed in the bottom-center of the channel, the distance the AV Sensor is offset must be entered (3.3.2).
- **Set Flow Rate to zero if no velocity data checkbox** - Determines how the 2150EX reports flow rates if stream velocity data is not available (3.3.3).
- **Flow Conversion** – The 2150EX can calculate flow rate readings. To correctly convert the measured level and velocity readings to a flow rate, the flow conversion method and channel properties should be defined (3.3.4).
- **Silt Level** – The 2150EX can compensate for a build up of silt around the sensor (3.3.5).

These five program settings directly affect the data collection. Incorrect settings may introduce errors in the measured data, many of which may prove to be difficult to correct afterwards.

<i>Data Storage Settings</i>	You should also check the Data Storage Rates while you are reviewing the program settings. You can view the storage rates on the Data Storage tab to ensure that pertinent types of data are being stored, and that the rates will provide a sufficient amount of data for your application. Refer to section 3.3.6 for instructions on how to modify the data storage rates.
<i>General Settings</i>	Once the site's configuration has been resolved, the Site and Module Names may be changed to help you better manage the sites and data collection. Giving sites descriptive names such as "12th and Main Streets" can help you easily recognize the measurement locations, instead of generic terms such as "Site 1." Site and Module Names are discussed in sections 3.3.7 and 3.3.8.
<i>Changing a Setting</i>	After modifying a setting as described in sections 3.3.2 through 3.3.8, click on the APPLY button (or press F9 on your keyboard). Flowlink sends the change to the module and updates the site's settings in its Flowlink database.

3.3.1 Level

Measurement Location

A measurement of the actual liquid level must be taken to adjust the level readings. The value of this measured depth should be entered on the *Level* measurement tab in Flowlink.

The location of your measurements can affect the flow conversion results. An understanding of how the AV Sensor measures level and velocity will help you determine where the measurements should be taken.

The AV Sensor transmits an ultrasonic sound wave. It propagates from the front of the sensor in a cone-shaped pattern. From within this cone, the AV Sensor measures the stream velocity. Therefore, it is best to measure level from a point inside the cone. Since this cone cannot be seen, a general rule is to measure in front of the sensor along the channel centerline at a distance equal to the liquid depth. For example, if the stream is one foot deep, take the level and channel dimension measurements one foot upstream from the sensor. If the flow at this point is turbulent, consider relocating the sensor.

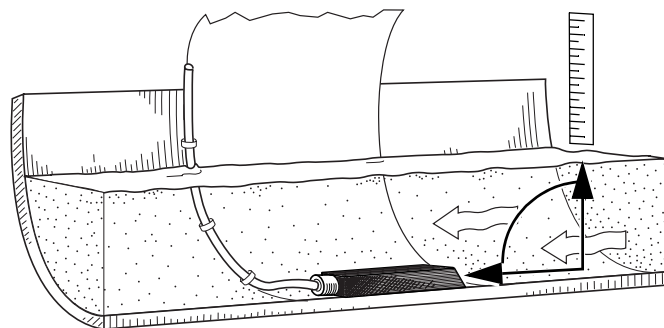
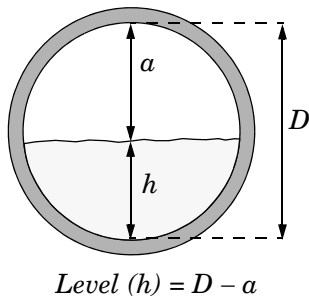


Figure 3-2 Preferred Measurement Location

Do not measure the level and channel dimensions right at the sensor, as the sensor and the mounting ring may cause a slight "jump" or localized rise in the level. At very low levels and high velocities, this jump in the liquid surface may become quite significant.



In round pipes it is possible to measure the level without disturbing the stream surface. This method is preferred. Refer to the diagram in the margin. First measure the inside diameter of the pipe (D). Then measure the airspace (a) from the liquid surface to the peak of the inside diameter. Average this measurement if the surface is not calm. The level measurement that you enter (h) is calculated by subtracting the distance above the liquid (a) from the diameter (D). If difficult channel conditions keep you from making the measurements as described above, another site should be considered.

3.3.2 Zero Level Offset

AV Sensors are sometimes offset in the channel to avoid heavy concentrations of silt, or to maximize the level resolution over a specific range. When the AV Sensor is offset, an offset distance must be entered on the *Velocity* measurement tab in Flowlink.

Refer to Figure 3-3. Enter a value for the vertical distance the sensor is installed above the true zero level of the stream. For example, if the sensor is mounted on the side of the pipe two inches higher than the true zero level (the bottom center of the pipe), the Zero Level Offset is two inches. If the sensor is mounted at the bottom of the channel, enter zero.

Note

Do not confuse the circumferential distance between true zero and the location of the AV Sensor with the vertical distance (height). If you install the AV Sensor at the true zero level of the pipe or channel, you would enter "0" for the offset (ignoring the thickness of the mounting ring).

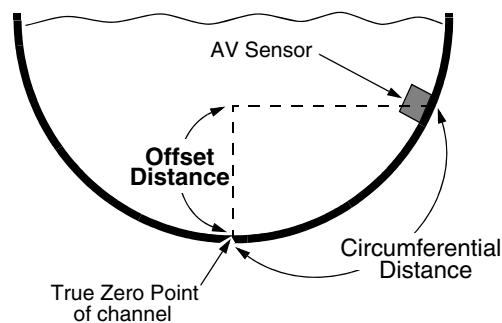


Figure 3-3 Zero Level Offset Measurement

3.3.3 No Velocity Data and Flow Rates

Occasionally velocity readings are lost because either a flow stream does not contain enough reflective particles, or the sensor is covered with silt. These lost velocity readings are logged as a “No Data Code.” If the 2150EX is set up to use area velocity flow conversion, it is then unable to calculate the flow rate. You can control how the Flow Rate readings will be reported during these conditions with the “Set flow rate to zero if no velocity data” checkbox, found on Flowlink’s *Velocity* measurement tab.

- Checked, the 2150EX stores the flow rate as 0.0 when velocity data is not available.
- Unchecked, the 2150EX will use the last valid velocity measurement in the flow rate calculation.

Note

Measuring velocity becomes extremely difficult at low liquid levels. When the level falls below one inch, the module no longer measures the velocity. Instead, velocity is interpolated based on measurements that occurred between one and seven inches of liquid.

Prevent Velocity Signal Interference

If the AV Sensors of a multiple module site are placed near each other it is important that each sensor receives its own transmitted signal. To prevent this sort of interference, you can synchronize the modules so that only one module may take a velocity measurement at any given moment.

To synchronize the velocity measurements of a multiple module site, check the *Prevent interference* box found on the *Velocity* measurement tab. You may leave this box unchecked for single module sites or multiple module sites measuring velocities of separate channels.

Note

The *Prevent interference* check box should always be selected when using the 2150EX with LTC2191EX lithium battery packs, to prevent overloading the fused outputs.

3.3.4 Flow Conversion

The 2150EX is capable of determining flow rates using either area velocity conversion or level-to-flow rate conversion. Table 3-1 lists the available flow conversion methods.

The 2150EX is capable of calculating and storing any two conversion methods simultaneously. Flow conversions are defined on the *Flow Rate* and *Flow Rate 2* measurement tabs in Flowlink. To do this, select the *Conversion Type* that matches your application, then enter the required parameters in the fields to the right of the selected conversion type.

Table 3-1 Flow Conversion Methods

Conversion Type		Device, Formula, or Table	Size or Parameters
Area Velocity	Channel Shape	Area × Velocity	Round Pipe, U-Channel, Rectangular, Trapezoidal, Elliptical
	Level-to-area Data Points	User-developed Table	3 to 50 data points
Level to Flow	Weir	V-Notch Weir	22.5, 30, 45, 60, 90, 120 degrees
		Rectangular Weir with end contractions	Crest Length
		Rectangular Weir without end contractions	Crest Length
		Thel-Mar	6, 8, 10, 12-14, 15-16 inches
		Cipoletti Weir	Crest Length
	Flume	Parshall Flume	1, 2, 3, 6, 9 inches 1, 1.5, 2, 3, 4, 5, 6, 8, 10, 12 feet
		Palmer-Bowlus Flume	4, 6, 8, 10, 12, 15, 18, 21, 24, 27, 30, 48 inches
		Leopold-Lagco	4, 6, 8, 10, 12, 15, 18, 21, 24, 30 inches
		"HS" Flume	0.4, 0.6, 0.8, 1.0 feet
		"H" Flume	0.5, 0.75, 1, 1.5, 2, 2.5, 3, 4.5 feet
		"HL" Flume	4.0 feet
		Trapezoidal Flume	Large 60-degree V Extra Large 60-degree V 2-inch, 45-degree WSC 12-inch, 45-degree SRCRC
	Flow Metering Insert	V-notch	6, 8, 10, 12 inches
		Round Orifice	6, 8, 10, 12 inches
	Manning Formula	Round Pipe	Slope, Roughness, Diameter
		U-Channel Pipe	Slope, Roughness, Width
		Rectangular Pipe	Slope, Roughness, Width
		Trapezoidal	Slope, Roughness, Bottom Width, Top Width
	Equation	Flow = 0.00*(Head ^{0.00}) + 0.00*(Head ^{0.00})	
	Level-to-Flow Rate Data Points	User-developed tables for level-to-flow rate	3 to 50 data points

If the selected flow conversion requires channel dimensions, actual channel measurements should be taken. Channel measurements are preferred over nominal values. Significant errors may be introduced if your measurements are inaccurate. The example below illustrates the importance of accurate measurements.

Example:

Nominal Pipe Diameter: 10 inches
Actual Pipe Diameter: 10.25 inches
Level Measured Near Outfall: 2.75 inches
Correct Level Measurement: 3 inches

During programming, you enter 10 inches for the round pipe diameter - from the pipe manufacturer's specification. You also enter the 2.75 inch level measurement taken behind the sensor near an outfall. Although each setting has only a 0.25 inch error, the cumulative flow measurement error may exceed 14%!

Refer to the information in Section 3.3.1 to determine where to measure the channel dimensions.

3.3.5 Silt Level

Silting in the flow stream will alter your channel dimensions, affecting the flow rate conversion. To compensate for a buildup of silt, a *Silt Level* value can be entered on the *Flow Rate* measurement tab in Flowlink. Silt level compensation is only available when using Area Velocity flow conversion.

3.3.6 Data Storage Rates

The data storage function of a 2150EX can record level, velocity, flow rate, total flow, and input voltage readings. The interval at which the 2150EX stores the readings is called the *Data Storage Rate*. The 2150EX is shipped with default storage rates of 15 minutes for the level, velocity, and flow rate, and 1 hour for total flow and input voltage readings.

You can modify the data storage rates to log readings at a faster or slower rate. Keep in mind that although the 2150EX can store data as fast as 1 reading every 15 seconds, faster storage rates will shorten battery life, increase memory usage, and lengthen *Retrieve Data* (interrogation) times.

You can also create conditional data storage rates. The 2150EX can log data at a secondary rate when user-defined conditions have been met. For example, a 2150EX can store level readings at a primary rate of 15 minutes, and a secondary rate of 1 minute when the level reading is greater than or equal to 1 foot. Secondary rates allow you to collect detailed data when defined events of interest occur, while reducing power and memory consumption when detailed readings are not needed.

To modify the Data Storage Rates, first click on the *Set Up Data Storage...* button on a measurement tab. Then enter the Primary and Secondary Rate settings on the *Data Storage Setup* window. Repeat this for each measurement type.

3.3.7 Site Name

The module is shipped with a default name so that it can immediately begin to communicate with Flowlink. You can change the site name to a more descriptive name on the *Site Info* tab in Flowlink. Keep in mind that the name must be unique among the other site names in the open Flowlink database.

Site names can be up to 20 characters long. Any character may be used in the name except:

/	forward slash	\	back slash
:	colon	*	asterisk
?	question mark	"	double-quote
<	left angle bracket	>	right angle bracket
	bar	&	ampersand

3.3.8 Module Name

The module is shipped with a default name so that it can immediately begin to communicate with Flowlink. You can change a Module Name to a more descriptive name on the *Modules* tab in Flowlink. Keep in mind that the name must be unique among the other module names connected at that site.

Module names can be up to 20 characters long. Any character may be used in the name, except for those noted in *Site Name*, section 3.3.7.

2150EX Area Velocity Flow Module

Section 4 Modbus Protocol

Sections 4.1 through 4.5 give an overview of the basic capabilities and operation of Modbus protocol as it applies to Isco 2100 Series flow modules.

For a Glossary of Terms and Common Acronyms, see sections 4.4 and 4.5.

For Modbus technical specifications, turn to section 4.6.

4.1 Introduction

Modbus is a simple command/response mechanism to read from and write to specific memory locations called *registers*. A register is a holding place for a piece of digital information within the equipment. There are three standard protocols for Modbus: Modbus RTU, Modbus TCP/IP, and Modbus ASCII. The Isco 2100 Series devices use Modbus ASCII protocol, the method discussed in this manual. Modbus ASCII has more flexible communication timing requirements. Modbus communication for the Isco 2100 Series provides a standard protocol that can be used to retrieve real-time data from a single module or stack of modules at a site, or multiple sites, over a wide area. The data can be sent to a central computer for display, data collection, or process control.

Modbus implementation is independent of Flowlink and cannot alter the Flowlink-programmed configuration of the module. Modbus cannot be used to retrieve historical data from a module's memory.

Due to the wide variety of configurations that can be made with Modbus, it is impossible to cover every usable application. This section will discuss the overall capabilities and operation of Modbus.

4.2 Operation

There are many standard, third party Modbus drivers and OPC servers that may be used to link a remote Modbus device, such as a 2100 Series module, to SCADA or process control software, such as Wonderware™ or Intellution™. The OPC server communicates with the remote instrumentation and accesses registers. The definition of what information is contained and where (the register number, or address) is decided by the manufacturer (Teledyne Isco).

In a 2100 module, the registers hold, but are not limited to, the current real-time value of the meter's level, velocity, flow, input voltage, temperature, and total flow readings, stored in specified register locations. A list of the 2100 register addresses, and what parameters are held where, is available in section 4.6.

By accessing these registers you can obtain the current value of whatever parameter you desire. The reading(s) can then be displayed or stored wherever you designate as a destination; for example, a process control computer.

 **Note**

Level, flow, velocity, and temperature data is stored in metric units only.

Not all registers are limited to read-only data storage. You can also use some registers for control purposes. For example, by writing a “1” value to register 24 (“Identify Module” register), you will tell a 2100 module to light the LED on the front of the module.

4.2.1 Establishing Communication

There are several different communications protocols supported in the 2100 series that require auto-baud rate detection. Because of this, each time a modbus connection is made, the module uses a polling mechanism to repeatedly send a command until a response is received. It may take up to 20 command retries before the module has identified the baud rate and a response is received.

4.2.2 Module Addressing

When connecting to a site via a Modbus OPC server, you use a dedicated line of communication to that module or stack from the OPC server, which can be a dedicated communications cable (direct connection) or a dedicated phone number (modem).

When you are using a direct connection, you are dedicating a specified COM port on the computer, and that COM port determines the site to which you are connecting.

When you are using a modem, the dedicated line is defined by the site's phone number.

If you connect more than one 2100 Series module at a site, the Modbus OPC server, while using the shared communication line for all of the modules within the network, must have some way to differentiate between the modules. When sending a command to a specific module, the command has an address field. This allows the server software to talk to, as well as control, the specified module, while ignoring other modules in the same stack or site.

Each module capable of Modbus Protocol communication will automatically create its own specific ASCII address within the site, using:

- The model numbers of the modules
- The user-defined module names

4.3 Configurations

A variety of configurations can be made with Modbus, either through direct connection or through a modem.

In the example shown in Figure 4-1, you are direct-connecting a server PC to two individual 2150s through Modbus, using the COM ports on the OPC Server, which are directly connected to the remote 2150s.

Connection to the module is made through the RS-232 communication port on the top of the module.

Note

For low power operation, we recommend connecting the module(s) to the computer using the straight-through cable (Isco part number 60-5314-529), which consumes less power, instead of our standard interrogation cable.

In Figure 4-1, the OPC Server PC must have two COM ports. Modbus requires one COM port each, for direct connection of each 2150.

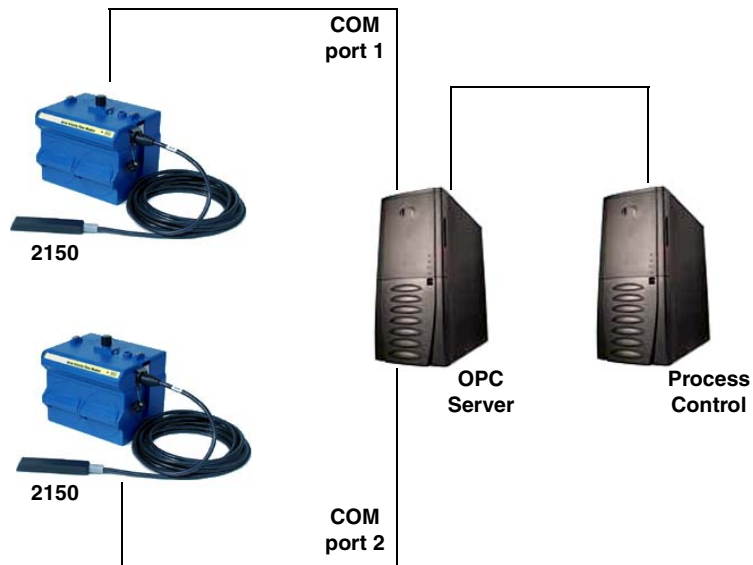


Figure 4-1 Configuration Example (Direct Connection Shown)

The operation sequence for the example above can be summarized in the following steps:

2150:

1. 2150s take readings from probes.
2. 2150s store readings (level, velocity, flow rate, etc.) in their specified registers.

Process Control:

3. The user requests data through Process Control.
4. Process Control asks the OPC server to gather information.

5. OPC connects to the 2150 stack through the cable (direct connection), takes register data from the specified 2150, and populates the OPC server's holding index.
6. Process Control takes data from the OPC server's holding index and gives data to the user.

Note that Process Control can be either manual or automated in this example, and that the OPC server and Process Control may be located physically on the same computer.

4.4 Glossary of Terms

ASCII – Short for American Standard Code for Information Interchange, ASCII is a code that represents English characters with numbers. Most computers represent text with ASCII code, making it possible for one computer or device to share data with another.

2100 modules support Modbus ASCII protocol.

Dedicated Line – A telecommunications path reserved for communication between two specified points and not shared among multiple points.

Modbus Protocol – Modbus Protocol is a messaging structure used to establish master-slave/client server communications between intelligent devices. Modbus is a simple command/response mechanism to read from and write to registers.

OPC – OPC (OLE for Process Control) means open connectivity via open (free for use) standards. It is a series of software standards specifications that fill a need in automation (like printer drivers did for Windows), acting as a translator for data transmission and process control.

The specification defines a standard set of objects, interfaces, and methods for use in process control and manufacturing automation applications to facilitate interoperability. There are hundreds of OPC Data Access servers and clients.

Registers – Registers are locations in memory that have specific data stored for retrieval or are used for control functions. A register is a holding place for a piece of digital information within the equipment. The definition of what is contained and where (the registry number, or address) is decided by the manufacturer (in this case Teledyne Isco).

SCADA – SCADA (Supervisory Control And Data Acquisition) is a computer system for gathering and analyzing real-time data. SCADA systems are used to monitor and control plant operation, or equipment in industries such as telecommunications, water and waste control, energy, oil and gas refining, and transportation.

The SCADA system transfers the information (for example, where a leak has occurred in a pipeline), back to a central site, alerting the home station of the leak, performing necessary analysis and control (such as determining if the leak is critical), and displaying the information in a logical and organized manner.

SCADA systems can be relatively simple, such as one that monitors the environmental conditions of a small office building, or very complex, such as a system that monitors all the activity in a nuclear power plant or a municipal water system.

4.5 Common Acronyms

ASCII – American Standard Code for Information Interchange
DCS – Distributed Control Systems
MTU – Master Terminal Unit
OPC – Object Linking and Embedding (OLE) for Process Control
PLC – Programmable Logic Controller
RTU – Remote Terminal Unit
SCADA – Supervisory Control And Data Acquisition
TCP/IP – Transmission Control Protocol/Internet Protocol

4.6 Register Specifications

All numbers in the Modbus registers are stored most significant byte first. If the polling device has a byte ordering of least significant byte first (an Intel-based PC, for example), the bytes will need to be reversed after they are received.

The Modbus ASCII address is used to index the data by modules.

Modbus ASCII address 1 contains information related to the site. The first register contains a 16-bit integer count of the number of modules that have data to report. The maximum number of modules that can be supported is 4.

Modbus ASCII addresses 2 through the number of modules plus 1 contain data from the individual modules.

The Modbus ASCII addresses will be sorted by the model number, and then by module name, which is entered by the user through Flowlink. This allows the user to control the ordering of the addresses and easily predict what data will be in specific registers.

Every measured parameter has a corresponding status and measurement time that are updated with each measurement.

The maximum number of supported measurements from all modules in the system is 28.

The Modbus registers are assigned within 30 seconds after the 2100 module is powered up. To conserve power for the users who do not use Modbus communications, no Modbus registers will be updated with sensor readings until a Modbus master communicates with the 2100 module.

The register definitions for the Site Information device (Modbus ASCII address 1) are in Table 4-1 below:

Table 4-1 Modbus ASCII Address 1 Register Definitions

Register Number(s)	Name	Data type	Units	Read/Write
1	Number of modules (N) (1-4)	16 bit integer	None	Read
2-20	Site name	38-byte string	None	Read

The register definitions for the individual modules (Modbus ASCII addresses 2-(N+1)) are in Table 4-1 below:

Table 4-2 Modbus ASCII Address 2-(N+1) Register Definitions				
Register Number(s)	Name	Data Type	Units	Read/Write
1-4	Model number	8-byte string	None	Read
5-23	Module name	38-byte string	None	Read
24 ¹	Identify module	16 bit integer	None	Read/Write
25 ²	Take reading flag	16 bit integer	None	Read/Write
26 ³	Update interval	16 bit integer	Seconds	Read/Write
27 ⁴	Active flag 1	16 bit field	None	Read
28	Active flag 2	16 bit field	None	Read
29	Active flag 3	16 bit field	None	Read
30	Active flag 4	16 bit field	None	Read
40,41	Level	4-byte float	Meters	Read
42	Level status code ⁵	16-bit integer		Read
43-52	Level time record	Time ⁶		Read
55,56	Velocity	4-byte float	Meters/second	Read
57	Velocity status code	16-bit integer		Read
58-63	Velocity time record	Time		Read
70,71	Flow	4-byte float	Cubic Meters/sec	Read
72	Flow status code	16-bit integer		Read
73-78	Flow time record	Time		Read
85,86	Flow 1	4-byte float	Cubic Meters/sec	Read
87	Flow 1 status code	16-bit integer		Read
88-93	Flow 1 time record	Time		Read
100,101	Volume	4-byte float	Cubic Meters	Read
102	Volume status code	16-bit integer		Read
103-108	Volume time record	Time		Read
115,116	Volume 1	4-byte float	Cubic Meters	Read

Table 4-2 Modbus ASCII Address 2-(N+1) Register Definitions (Continued)

Register Number(s)	Name	Data Type	Units	Read/Write
<p>(1) A write to the Identify module register will cause the module to perform the identify operation which may be a steady LED for a few seconds or a beep in the Field Wizard.</p> <p>(2) Setting the Take Reading flag to 1 will cause the module to update the registers with current data readings. It will be set to zero when the readings have all been updated. This may be used to initiate readings and poll for when they are ready to be read. It may take up to 50 seconds to update all the readings, depending upon the flow conditions. Setting the Take Reading flag to 2 causes an automatic, 15 second update of readings when a Modbus master is polling the 2100.</p> <p>(3) The Update Interval specifies an interval in seconds that the registers are automatically updated. It defaults to zero, which indicates that no automatic updating will occur.</p> <p>(4) The Active Flag (1-4) bit fields specify what fields/registers are active in the list. This provides support for a maximum of 64 fields. For example, if bit 0 of register 27 is set, the Level (registers 40,41) is active. If bit 1 of register 27 is set, then the Velocity (registers 55,56) is active. If bit 0 of register 28 is set, the Analog channel 7 (registers 265,266) is active.</p> <p>(5) A non-zero status code indicates a measurement problem.</p> <p>(6) Time is represented in a series of registers: Order is from lowest address to highest - Seconds (0-59), Minutes (0-59), Hours (0-23), Days (1-31), Month (1-12) and Year (1977-2099).</p>				
117	Volume 1 status code	16-bit integer		Read
118-123	Volume 1 time record	Time		Read
130,131	Voltage	4-byte float	Volts	Read
132	Voltage status code	16-bit integer		Read
133-138	Voltage time record	Time		Read
145,146	Temperature	4-byte float	Degrees Celsius	Read
147	Temperature status code	16-bit integer		Read
148-153	Temperature time record	Time		Read
160,161	Internal Temp	4-byte float	Degrees Celsius	Read
162	Internal Temp status code	16-bit integer		Read
163-168	Internal Temp time record	Time		Read
175,176	Analog channel 1	4-byte float	0-100 percent	Read
177	Analog channel 1 status code	16-bit integer		Read
178-183	Analog channel 1 time record	Time		Read
190,191	Analog channel 2	4-byte float	0-100 percent	Read
192	Analog channel 2 status code	16-bit integer		Read
193-198	Analog channel 2 time Record	Time		Read
205,206	Analog channel 3	4-byte float	0-100 percent	Read
207	Analog channel 3 status code	16-bit integer		Read
208-213	Analog channel 3 time record	Time		Read
220,221	Analog channel 4	4-byte float	0-100 percent	Read
222	Analog channel 4 status code	16-bit integer		Read
223-228	Analog channel 4 time record	Time		Read
235,236	Analog channel 5	4-byte float	0-100 percent	Read
237	Analog channel 5 status code	16-bit integer		Read

Table 4-2 Modbus ASCII Address 2-(N+1) Register Definitions (Continued)

Register Number(s)	Name	Data Type	Units	Read/Write
238-243	Analog channel 5 time record	Time		Read
250,251	Analog channel 6	4-byte float	0-100 percent	Read
252	Analog channel 6 status code	16-bit integer		Read
253-258	Analog channel 6 time record	Time		Read
265,266	Analog channel 7	4-byte float	0-100 percent	Read
267	Analog channel 7 status code	16-bit integer		Read
268-273	Analog channel 7 time record	Time		Read
280,281	Analog channel 8	4-byte float	0-100 percent	Read
282	Analog channel 8 status code	16-bit integer		Read
283-288	Analog channel 8 time record	Time		Read

Table 4-3 Measurement Parameters by Model Number*

2103, 2103C	2108	2110	2150, 2151
Voltage	Analog channel 1	Level	Level
	Analog channel 2	Flow	Velocity
	Analog channel 3	Volume	Flow
		Voltage	Flow 1
		Temperature	Volume
			Volume 1
			Voltage
			Temperature
*Subject to change.			

2150EX Area Velocity Flow Module

Section 5 Maintenance

5.1 Maintenance Overview

This section explains the maintenance requirements of the 2150EX Area Velocity Flow Module, 2191EX Battery Module, and the AV2150EX Sensor.

The 2150EX System is designed to perform reliably in adverse conditions with a minimal amount of routine service requirements. To keep your system working properly, the following should be checked at regular intervals:

- Battery power (section 5.3)
- Desiccant (section 5.4)
- Channel conditions (section 5.5)

Maintenance intervals are affected by many variables; for example, the Data Storage Rate will affect the battery life. Humidity levels obviously affect the service life of the desiccant, and the amount of debris in the stream can drastically alter the channel conditions.

As a guide, a basic system installed in an environment with moderate humidity levels and an AV Sensor installed in a channel relatively free from debris and silt, the maintenance interval should not exceed three months. A basic system is defined as:

- a 2150EX Module and AV Sensor,
- powered by a fresh pair of LTC2191EX 8 volt lithium or SLA2191EX 8 volt lead-acid battery packs
- recording readings at the default intervals of 15 minutes.

Experience is often the best tool to use when establishing minimum maintenance intervals for your system. Until you have gained an understanding of the 2150EX Module's operation under differing environmental conditions, a weekly maintenance interval is recommended.

5.2 Maintenance Kits

Teledyne Isco, Inc.
Customer Service Dept.
P.O. Box 82531
Lincoln, NE 68501 USA
Phone: (800) 228-4373
(402) 464-0231
FAX: (402) 465-3022
E-mail:
IscoInfo@teledyne.com

Many of the parts called out in the Installation and Maintenance sections of this manual are available in maintenance kits. Kit number 60-2059-001, which supports the 2150EX Module, contains O-rings for the connectors and desiccant cartridge, a hydrophobic filter, and a one-pound container of indicating silica gel desiccant. Kit number 60-2009-332, which supports the 2191EX Battery Module, contains O-rings for the connectors, gaskets for the battery doors, humidity indicators, and bags of desiccant. You can order the kits by calling Teledyne Isco's Customer Service Department.

5.3 2191EX Batteries

When connected to a 2191EX battery module, the 2150EX is powered by either two LTC2191EX 8 volt lithium battery packs or two SLA2191EX 8 volt lead-acid battery packs, which are stored in the 2191EX. These packs are sealed and explosion protected, so they can be safely removed and replaced in a potentially explosive atmosphere.

 **WARNING**

To avoid overloading the fuses in the LTC2191EX lithium battery packs, disconnect the 2150EX module(s) before installing or replacing the lithium battery packs. The SLA2191EX lead-acid battery packs do not contain fuses, and do not require that the 2150EX module(s) be disconnected.

The two types of battery packs differ in that the lead-acid batteries are rechargeable. Because they do not contain fuses, the lead-acid batteries do not require the same installation precautions as the lithium batteries.

5.3.1 LTC2191EX Lithium Batteries

The lithium battery packs should give you several months of service, depending upon your data storage intervals (see Table 1-5). Because the fuses in the battery packs can blow if overloaded, take care when installing the packs.

Measuring Input Voltage

Input voltage can be monitored while you are connected to the 2150EX with Flowlink. The 2150EX also can record input voltage readings. Keep in mind that battery discharge rates vary widely depending on the your system's operating environment.

If the fuse in a battery pack is overloaded, it will blow the fuse and the battery pack will need to be replaced. To avoid overloading the fuses, be sure to disconnect the 2150EX module(s) before installing or replacing battery packs.

If you suspect a blown fuse, or cannot connect to Flowlink to check the input voltage, you can use a volt meter to measure the voltage. DO NOT remove the battery packs and apply a volt meter directly to the packs. For safety reasons, the packs have an internal voltage regulator that shuts the voltage off when the battery packs are not installed.

Instead, measure the voltage by disconnecting the 2150EX module(s) from the 2191EX battery module and attaching the volt meter to the connector on top of the 2191EX. Check the battery packs individually, not as a pair.

 **WARNING**

When using the above method to check voltage, use care not to short any pins.

Battery Replacement

Batteries should be replaced according to the instructions below. The batteries should be replaced with:

- two new 8 volt lithium battery packs (P/N 68-2000-022).

⚠ WARNING

Substitution of components may impair intrinsic safety.

⚠ WARNING

To avoid overloading the fuses in the lithium LTC2191EX battery packs, disconnect the 2150EX module(s) before installing or replacing battery packs.

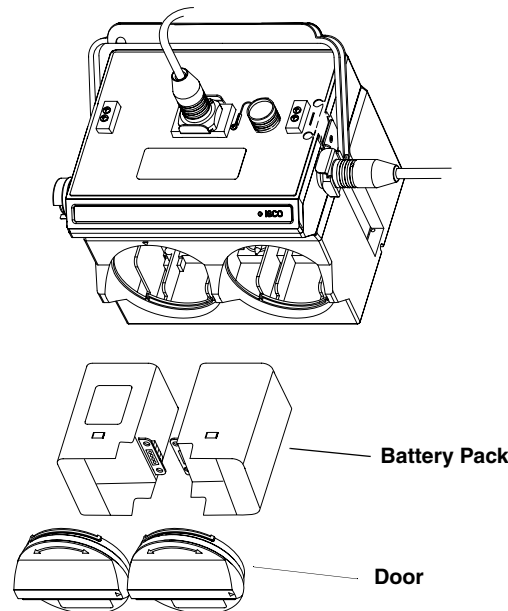


Figure 5-1 Illustration of LTC2191EX Battery Packs

To install the lithium LTC2191EX battery packs, first disconnect the 2150EX module(s) and then:

1. Remove the battery door. To remove the door, turn it $\frac{1}{4}$ turn counter-clockwise and pull it from the Battery Module.
2. Align the connectors and insert the new battery pack into the Battery Module.
3. Check the humidity indicator disk inside the door. (See section 5.4.2.)
4. Replace the door. Align the small triangle on the door with the triangle above the battery port, push inward, and rotate $\frac{1}{4}$ turn clockwise so the curved arrow is at the top of the door.

Repeat steps 1 through 4 to install the second battery pack. When finished, reconnect the 2150EX module(s).

☑ Note

The battery packs should always be replaced as a pair. Never mix old and new batteries. Battery packs should be disposed of according to local battery disposal regulations.

✓ Note

For storage, the battery packs may be rotated 180 degrees and inserted into the 2191EX. This disconnects the packs for storage.

5.3.2 SLA2191EX Lead-Acid Batteries

The lead-acid battery packs should give you several weeks of service before they need recharged, depending upon your data storage intervals (see Table 1-5 and Figure 5-2).

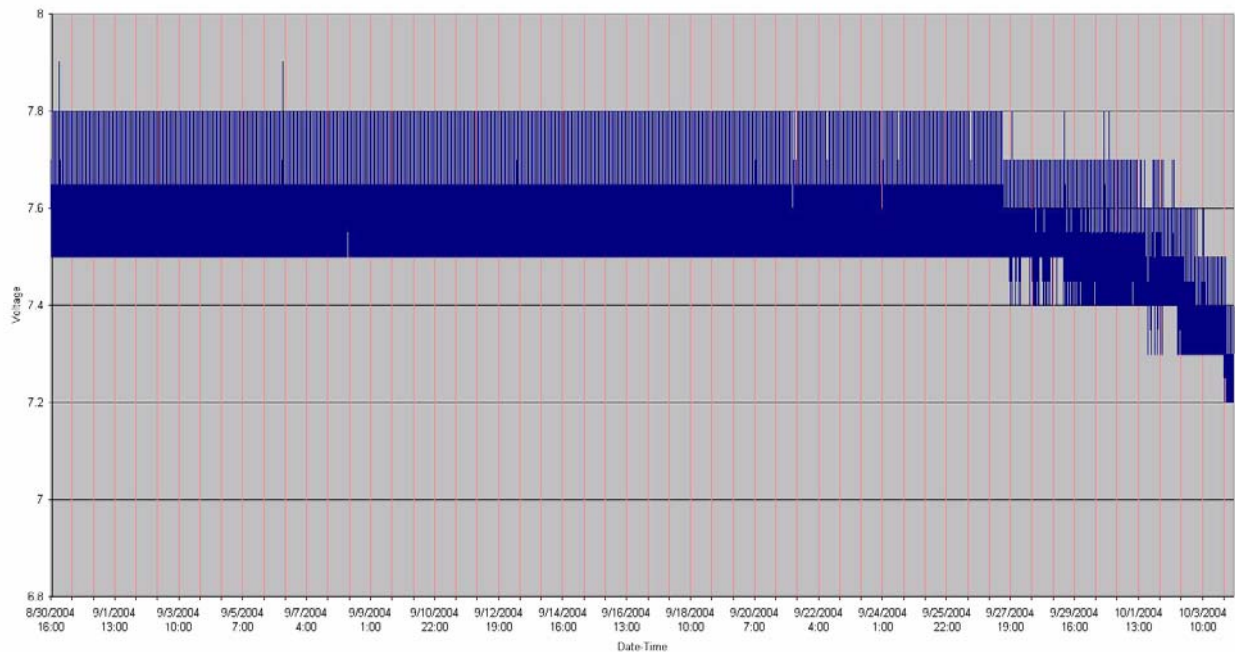


Figure 5-2 SLA2191EX Battery Pack Voltage Chart

Measuring Input Voltage

Input voltage can be monitored while you are connected to the 2150EX with Flowlink. The 2150EX also can record input voltage readings.

The Flowlink voltage readings will drop lower when the batteries are nearly depleted. The chart in Figure 5-2 shows the noticeable voltage drop that starts to occur when the battery pack begins to discharge. Keep in mind that battery discharge rates vary widely depending on the your system's operating environment.

Input voltage can also be checked manually by disconnecting the 2150EX module(s) from the 2191EX battery module and attaching the volt meter to the connector on top of the 2191EX. Check the battery packs individually, not as a pair.

⚠ WARNING

When using the above method to check voltage, use care not to short any pins.

CAUTION

Do not deep discharge the SLA2191EX battery packs, or you will reduce their cycle life. When your Flowlink voltage readings start to drop, you should recharge the battery packs.

Charging Batteries

Charge the batteries only with Isco's 8V2191SLA Lead-Acid Battery Charger, P/N 60-2004-343 (Figure 5-3). The maximum ambient temperature when charging is 50°C or 122°F. Never charge the battery packs in a hazardous atmosphere!

WARNING

Charge SLA2191EX battery packs only with the 8V2191SLA charger at an ambient temperature below 50°C (122°F), and never in a potentially explosive atmosphere.



Figure 5-3 Lead-Acid SLA2191 EX Battery Packs and 8V2191SLA Charger

The intrinsically safe battery packs require slow charging. When the packs are inserted into the charger (Figure 4-4), the yellow LED indicates that the fuse (required to maintain intrinsic safety) is good and that the circuit is powered. The green LED indicates that the undercharged battery is accepting current; the LED will go out when the battery is fully charged.



Figure 5-4 Inserting an SLA2191EX Battery Pack into the Charger

It will typically take two days for the green LED to go out, and it is recommended that you continue charging for another 24 to 48 hours after the green LED light goes out. The battery packs may remain in the powered charger indefinitely without damage. If stored for a long time, the SLA2191EX battery packs may self discharge to a point where they should be recharged.

Battery Replacement

Batteries should be replaced according to the instructions below.

The batteries should be replaced with:

- two new 8 volt lead-acid battery packs (P/N 68-2000-023).

Fuse Replacement

The fuses should be replaced only with:

- Littell fuse #216.315 (P/N 411-0922-30)

 **WARNING**

Substitution of components may impair intrinsic safety.

*Installing SLA2191EX
Battery Packs*

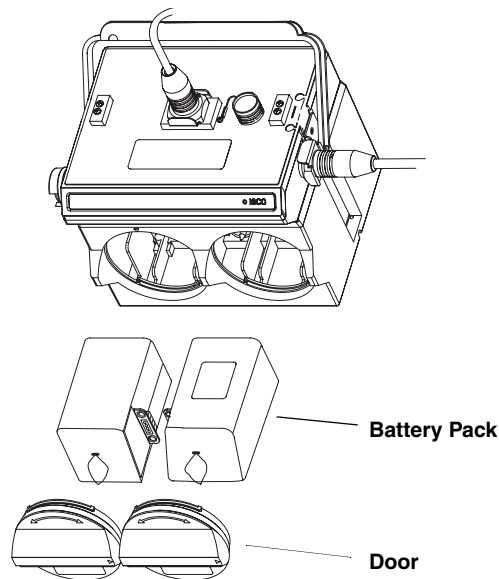


Figure 5-5 Illustration of Battery Packs

To install the lead-acid SLA2191EX battery packs:

1. Remove the battery door. To remove the door, turn it $\frac{1}{4}$ turn counter-clockwise and pull it from the Battery Module.
2. Align the connectors and insert the new battery pack into the Battery Module.
3. Check the humidity indicator disk inside the door. (See section 5.4.2.)
4. Replace the door. Align the small triangle on the door with the triangle above the battery port, push inward, and rotate $\frac{1}{4}$ turn clockwise so the curved arrow is at the top of the door.

Repeat steps 1 through 4 to install the second battery pack.

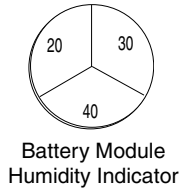
Note

The battery packs should always be replaced as a pair. Never mix old and new batteries. Battery packs should be recycled as any normal lead-acid battery.

Note

For storage, the battery packs may be rotated 180 degrees and inserted into the 2191EX. This disconnects the packs for storage.

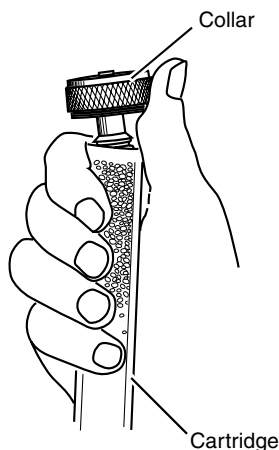
5.4 Desiccant



The 2150EX System devices use desiccant to protect the internal components from moisture damage. In the 2150EX, a desiccant cartridge is used to dry the reference air for the sensor. This prevents moisture from plugging the reference line, which would cause the sensor to report erroneous level readings. The cartridge is filled with indicating silica gel, which is blue or yellow when dry. As the desiccant becomes saturated, the color changes from blue to pink, or from yellow to green. Replace the desiccant before the entire length of the cartridge turns pink or green.

The 2191EX battery module uses desiccant bags to keep the interior of the case dry. The bags are located inside the battery caps. Attached to the inside face of each cap is a humidity indicator. Humidity indicators have regions that display 20, 30, and 40 percent humidity levels. Ideally, each region should be completely blue. As the desiccant becomes saturated, the humidity levels will increase and the regions turn pink. When the 40 percent region begins to turn pink, the components are no longer adequately protected and the desiccant must be replaced.

5.4.1 Replacing the Desiccant: AV Module



The desiccant is contained in a cartridge located on the left side of the 2150EX. To remove the cartridge, unscrew the collar and slide the cartridge out of the 2150EX. The opaque tube reveals the silica gel desiccant inside.

CAUTION

To prevent static electricity, do not replace silica in potentially explosive atmospheres. Empty and fill the desiccant cartridge in a safe area.

To replace the silica gel desiccant:

1. Hold the cartridge upright with the collar at the top.
2. As shown to the left, push the collar off the cartridge.
3. Empty the saturated silica gel beads or granules.
4. Fill the tube with new (P/N 099-0011-03) or reactivated (see section 5.4.3) silica gel desiccant.
5. Press the collar onto the tube.
6. Slide the cartridge into the 2150EX Module. Tighten the collar to seal the cartridge in place.

5.4.2 Replacing the Desiccant: Battery Module

A bag of desiccant is located inside each of the battery caps behind a retaining plate. To replace the desiccant:

1. Loosen the two mounting screws that secure the metal retaining plate.

2. Rotate the retaining plate until it is free from the mounting screws.
3. Remove the spent desiccant bag from the cap and replace it with a new (P/N 099-0002-33) or reactivated (see section 5.4.3) bag.
4. Replace the retaining plate and secure it with the screws.

5.4.3 Reactivating the Desiccant

Silica gel beads, granules, and bags of desiccant can be reactivated.

 **CAUTION**

Desiccant may produce irritating fumes when heated. Observe the following precautions:

- Use a vented oven in a well-ventilated room.
- Do not remain in the room while the regeneration is taking place.
- Use the recommended temperature. Avoid heating the desiccant at higher than recommended temperatures.

Irritating fumes can come from the desiccant during reactivation, and you should use caution. Material Safety Data Sheets are in the back of this manual.

The desiccant's ability to remove moisture may lessen with each saturation/reactivation cycle, resulting in a need for more frequent service. After several cycles, the desiccant may no longer be effective as it saturates too quickly. At this point, replace the desiccant.

Silica gel

To reactivate the silica gel desiccant, pour the spent desiccant into a heat resistant container. Never heat the cartridge assembly; it will melt. Heat the silica gel in a *vented convection oven* at 100° to 175°C (212° to 350°F) for two to three hours, or until the blue or yellow color returns. Allow the desiccant to cool and store it in an airtight container until ready for use.

Desiccant bags

Bagged desiccant will often include reactivation or recharging instructions on the bag's labeling. Always follow the instructions printed on the bag. If the instructions are not available, the bags may be heated in a *vented convection oven* at 120°C (245°F) for sixteen hours.

5.5 Channel Conditions

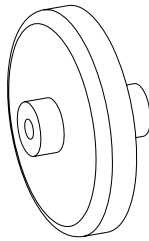
Because the sensor body offers a streamlined profile to the flow, solid materials rarely collect on the sensor. However, clean the channel upstream and downstream from the sensor periodically. This maintains the hydrostatic conditions on which the level-to-area conversion is based.

5.6 Other Maintenance

Other maintenance may be performed on the modules and sensor "as needed." Sections 5.6.1 through 5.6.3 describe these activities.

5.6.1 Hydrophobic Filter

If the 2150EX is submerged, a hydrophobic filter prevents water from entering the desiccant cartridge and reference line. Any amount of water will plug the filter and it must be replaced so that the reference line can be reliably ventilated. *Drifting level readings are often an indication that the hydrophobic filter may be plugged.*



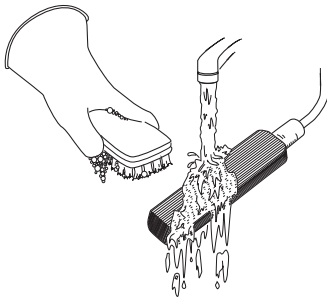
FROM DWG 60-2005-003

To remove the hydrophobic filter, grasp the filter and pull it from the desiccant cartridge collar. The filter is only held in place by its friction fitting; rocking it back and forth while pulling may help. Firmly press the replacement filter (P/N 60-2005-003) in place.

If the hydrophobic filter frequently requires replacement, consider relocating the modules so that they are better protected.

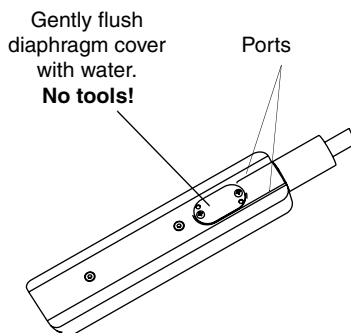
5.6.2 Cleaning

The 2150EX enclosure may be cleaned with mild detergent and warm water. Before cleaning the module, make sure all protective connector caps are in place.



The cable and outer surfaces of the AV Sensor may also be cleaned with mild detergent and warm water.

If the flow stream carries a great deal of debris, beware of organic materials that may collect beneath the AV Sensor. This material swells as it becomes saturated with water and may exert pressure on the outer diaphragm. This can damage the transducer and permanently disable the AV Sensor. Keeping the ports clean not only prevents damage, but assures you that the AV Sensor will respond to the hydrostatic pressure above instead of the pressure created by swollen material.



If the ports become blocked:

1. Remove the sensor from its mounting ring, plate, or carrier.
2. Scrape any accumulated solids off the exterior of the sensor. Use a brush and flowing water.
3. Remove debris that has accumulated in the ports.
4. The outer diaphragm is behind the small round cover on the bottom of the sensor. It should be visible through the two small openings at the center of the cover. Gently flush the cover and holes with water to remove debris.

CAUTION

Avoid using tools near the cover openings. The transducer is extremely sensitive to pressure applied to its exposed surface. Direct or indirect contact with the outer diaphragm may permanently damage the AV Sensor.

5.6.3 Sensor Cable Inspection

Erroneous level or velocity readings may not always indicate a fault inside the AV Sensor body. A damaged cable can affect the operation of the sensor, particularly if the reference air tube inside the cable is collapsed or blocked. Damaged cables cannot be spliced or repaired.

If the AV Sensor cable is damaged, you must replace the entire assembly, as the sensor body and cable are a factory-sealed unit. Keep the connector clean and dry and install the cable so that it is not at risk of damage resulting from other activity taking place in the area. The connector can be replaced in some instances, depending on the condition of the cable.

In temporary installations, do not leave cables lying around where they may be stepped on or run over by heavy equipment. Do not leave extra cable loose in the flow stream where it can trap debris.

In permanent installations, cables repeatedly subjected to abuse will fail and should be installed in conduit for protection. The conduit must be large enough to pass the connector through, as you cannot remove or replace it.

5.7 How to Obtain Service

Teledyne Isco, Inc.
Technical Service Dept.
P.O. Box 82531
Lincoln, NE 68501 USA

Phone: (800) 228-4373
(402) 464-0231
FAX: (402) 465-3085

E-mail:
IscoService@teledyne.com

The internal components of the 2150EX System are not user-serviceable. The case is completely sealed to protect the internal components. To repair the unit, the case must be broken open and replaced. If you think your module requires repair, contact Teledyne Isco's Technical Service Department.

The pressure transducer, the ultrasonic transducers, cable connections, and the electronic components of the AV Sensor are encapsulated in plastic resin and are not user-serviceable. If any part of the AV Sensor fails, it must be replaced.

Corresponding with a Teledyne Isco Technical Service Representative can often resolve the problem without the need to return the item. If the difficulty cannot be resolved you will be issued a Return Authorization Number (RAN) and information on returning it to the factory.

5.7.1 Diagnostics

As a troubleshooting aid, many module functions can generate a diagnostic file. With the assistance of a Teledyne Isco Technical Service Representative, the diagnostic files can often be used to isolate a problem.

To view a diagnostic file, connect to the site with Flowlink. View the measurement tab of the suspect function and click on the *Diagnostics...* button. The module then generates the file and sends it to Flowlink where it is displayed as a text report.

Flowlink can also collect all of the diagnostic files while retrieving data. The last available diagnostic files are always kept in Flowlink's database where they can be viewed "off-line" at a later time. To enable Flowlink to automatically collect all diagnostic files while retrieving the data, open the *Utilities>Options* from the menu and check the *Retrieve data gets text reports* box on the 2100 tab.

2150EX Area Velocity Flow Module

Appendix A Replacement Parts

A.1 Replacement Parts Diagrams and Listings

Replacement parts for the 2150EX, the Area Velocity Sensor, the 2191EX battery module, and the 2194EX interface module are called out in the diagrams in this appendix. Refer to the parts lists to determine the part number and description for a specific item.

Replacement parts can be purchased by contacting Teledyne Isco's Customer Service Department.

Teledyne Isco, Inc.

Customer Service Department
P.O. Box 82531
Lincoln, NE 68501 USA

Phone: (800) 228-4373

(402) 464-0231

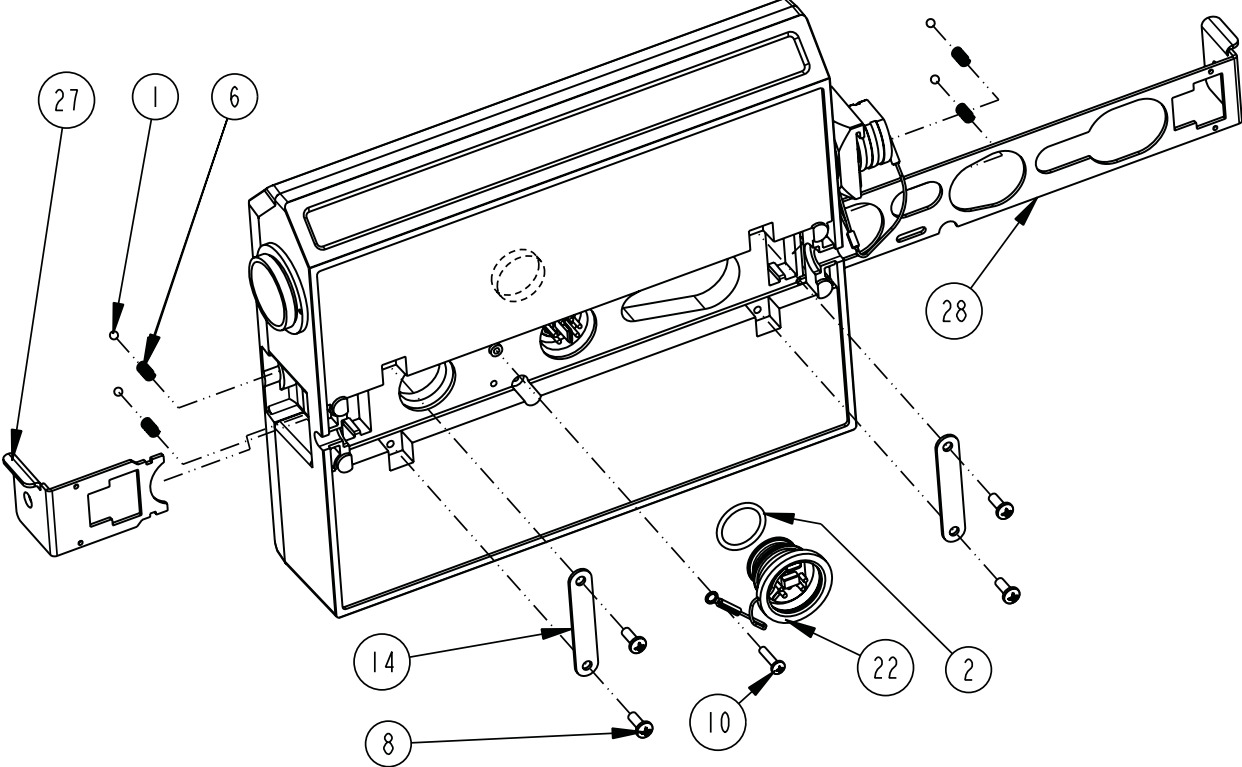
FAX: (402) 465-3022

E-mail: IscoCSR@teledyne.com



WARNING

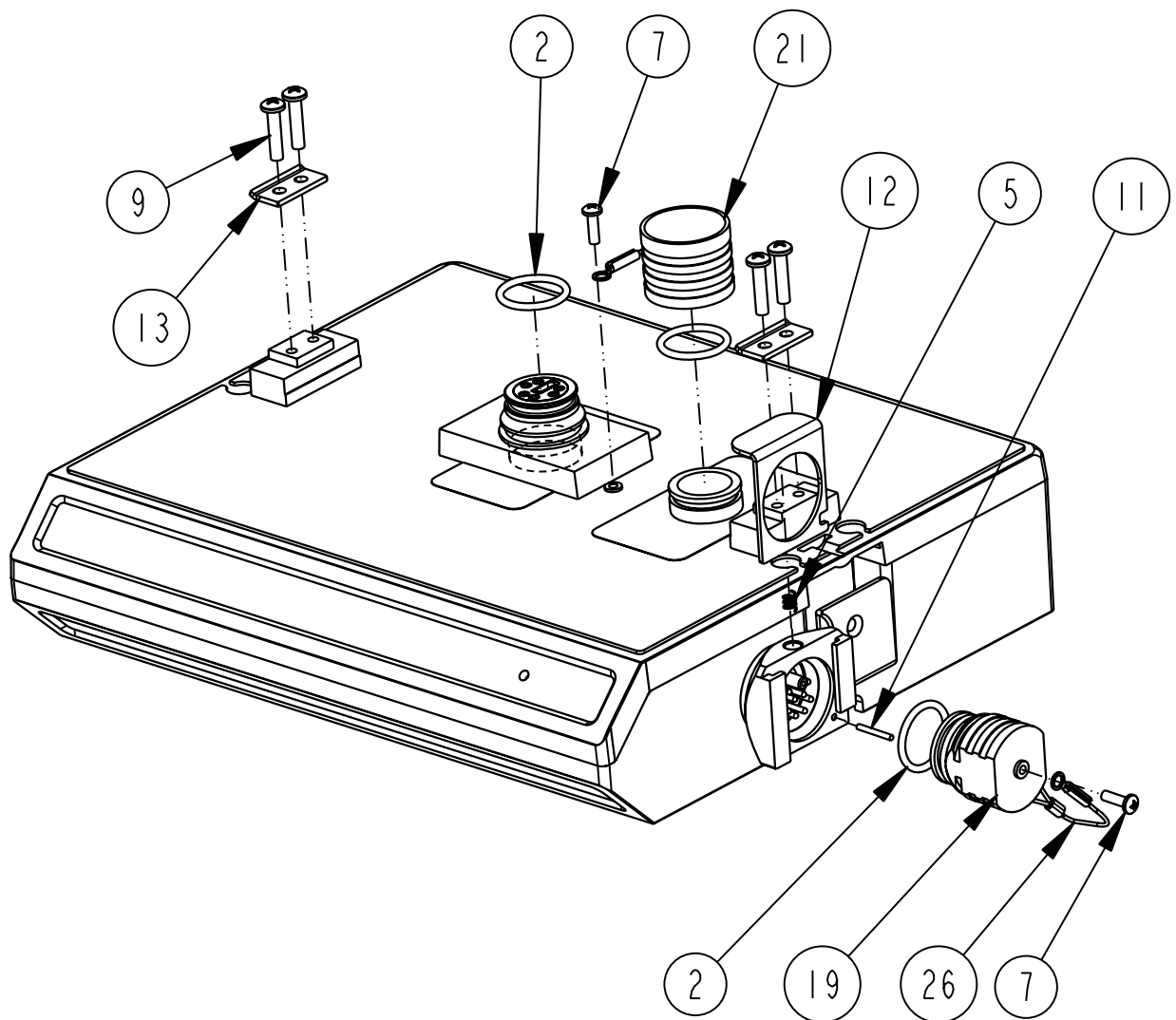
Substitution of components may impair intrinsic safety.



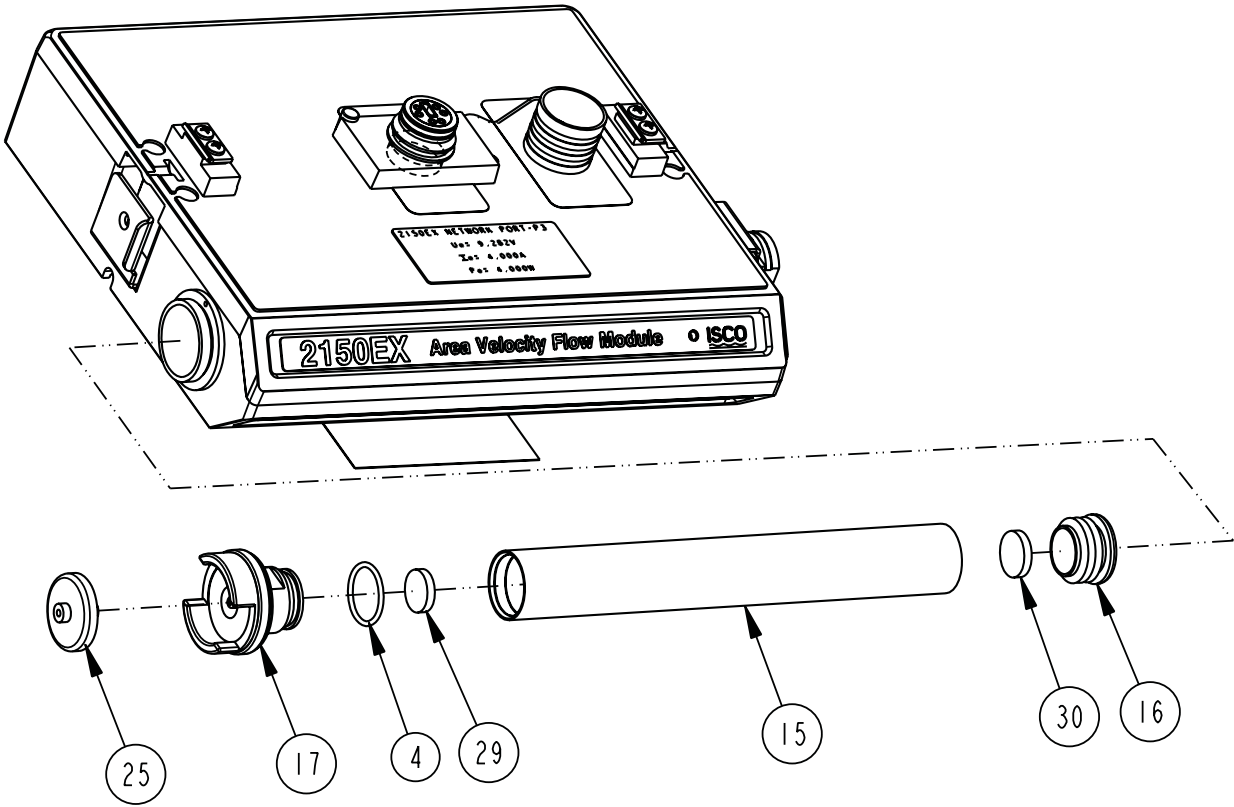
DRAWING NO.
602002330 C

SHEET 1 OF 5

REPLACEMENT PARTS LIST,
2150EX VELOCITY MODULE

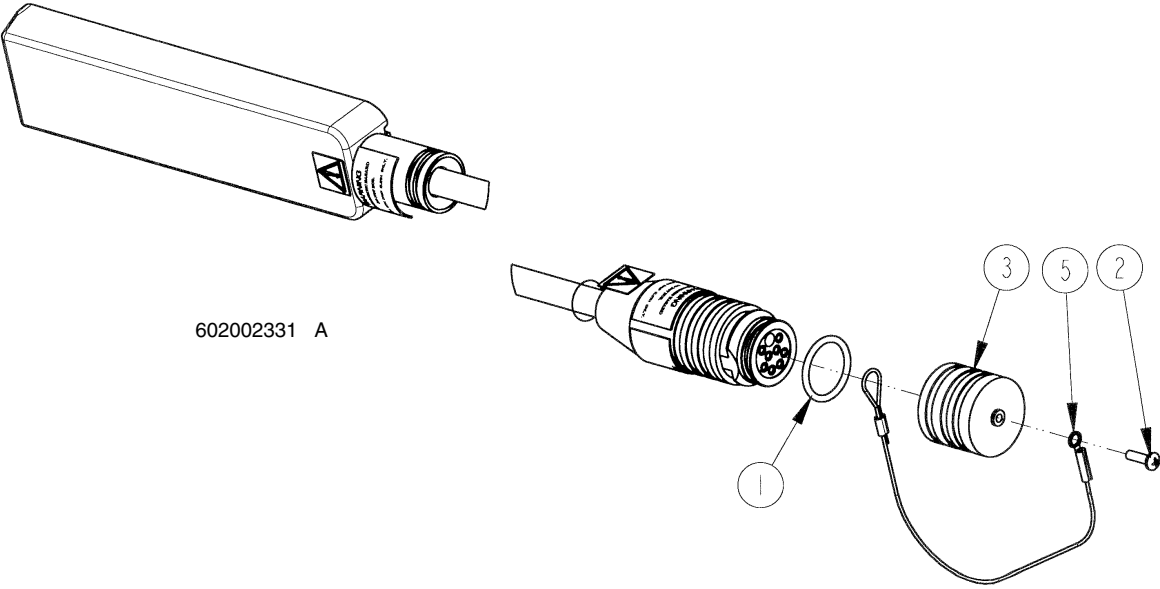


2150EX Area Velocity Flow Module
Appendix A Replacement Parts

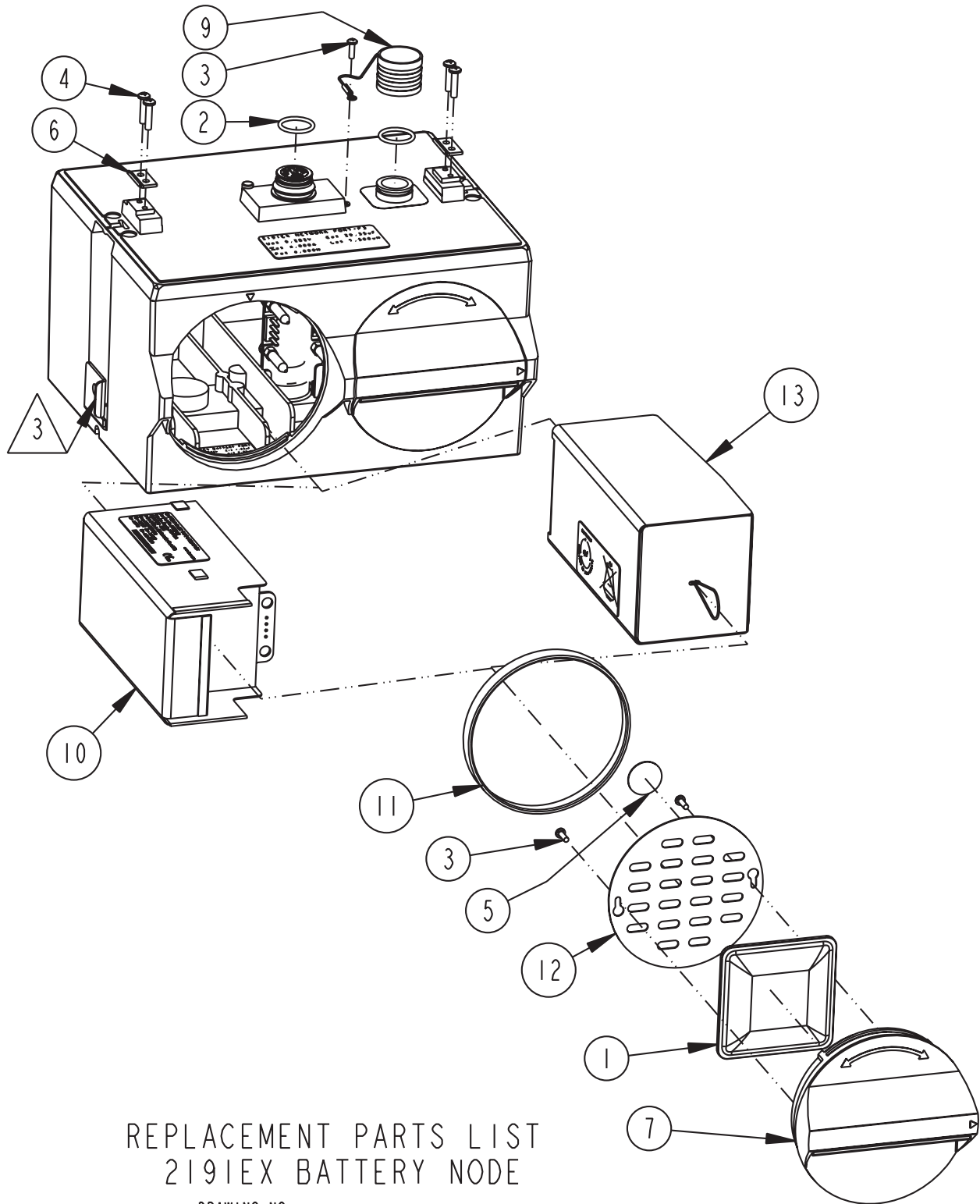


REPLACEMENT PARTS LIST		
TELEDYNE ISCO, INC.		
		602002330
		SHEET: 4 OF 5
		REV: C 07023
ITEM NO.	PART NUMBER	DESCRIPTION
1	201900102	BALL, .125 DIAMETER, 316 SST
2	202100669	O RING, .669 ID, .079 CROSS SECTION, BUNA-N RUBBER
4	202500017	O RING, .676 ID, .070 CROSS SECTION, BUNA-N RUBBER
5	203011105	COMPRESSION SPRING, .026 DIA WIRE, .31 FREE LENGTH
6	203011602	COMPRESSION SPRING, .022 DIA WIRE, .31 FREE LENGTH
7	231310140	SCREW, SELF TAP, #4 X 3/8, PAN HEAD, PHILLIPS, SST
8	231311206	SCREW, SELF TAP, #6 X 3/8, PAN HEAD, PHILLIPS, SST
9	231514920	SCREW, SELF TAP, 6-19 X 5/8, TORX, PAN HEAD, SST
10	231611108	SCREW, SELF TAP, #4 X 1/2, PAN HEAD, PHILLIPS, SST
11	236410408	PIN, SPRING, 1/16 X 1/2 LONG, SST
12	602003018	CONNECTOR CLIP
13	602003019	NODE CLIP
14	602003022	LATCH HOLD
15	602005046	DESICCANT TUBE MODIFICATION, EX
16	602003074	CAP PLUG MODIFICATION, DISICCANT
17	602004264	DESICCANT CAP ASSEMBLY
19	602003355	PLUG, VELOCITY NODE SENSOR, EX
21	602004286	CAP ASSEMBLY, MALE CONNECTOR
22	602004287	PLUG ASSEMBLY, FEMALE CONNECTOR (Includes item 2)
23	602004355	PLUG ASSEMBLY, VELOCITY NODE SENSOR, EX (Includes items 2, 7, 19, & 26)
24	602004385	DESICCANT ASSEMBLY EX (Includes items 4, 15, 16, 17, 25, 29 & 30)
25	602005003	AIR FILTER MODIFICATION, IN-LINE
26	692003172	CABLE, FEMALE PROBE PLUG
<p>NOTE: 1. For current prices and quotations on parts, contact Isco Service Department. 2. This list is subject to change without notice.</p>		

This page left intentionally blank.



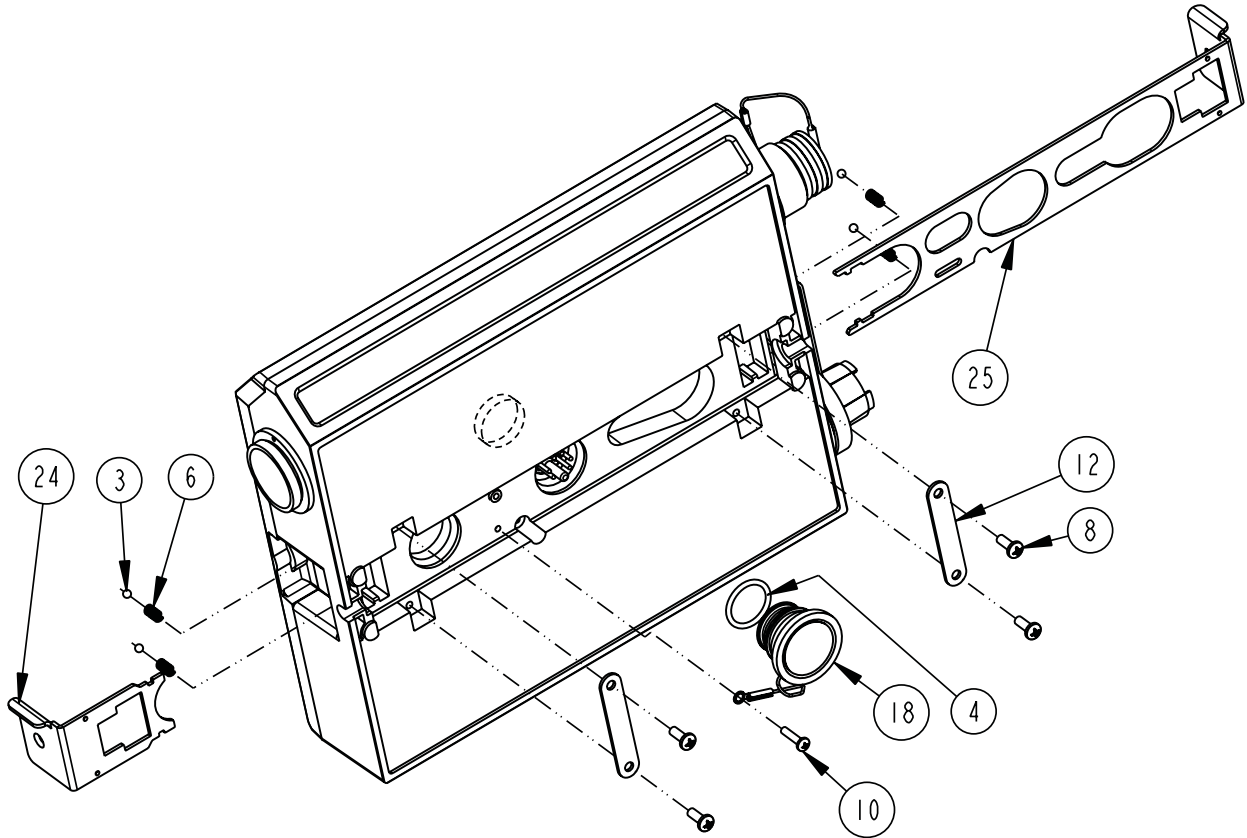
2150EX Area Velocity Flow Module
Appendix A Replacement Parts



REPLACEMENT PARTS LIST
2191EX BATTERY NODE

DRAWING NO.
602002332 C

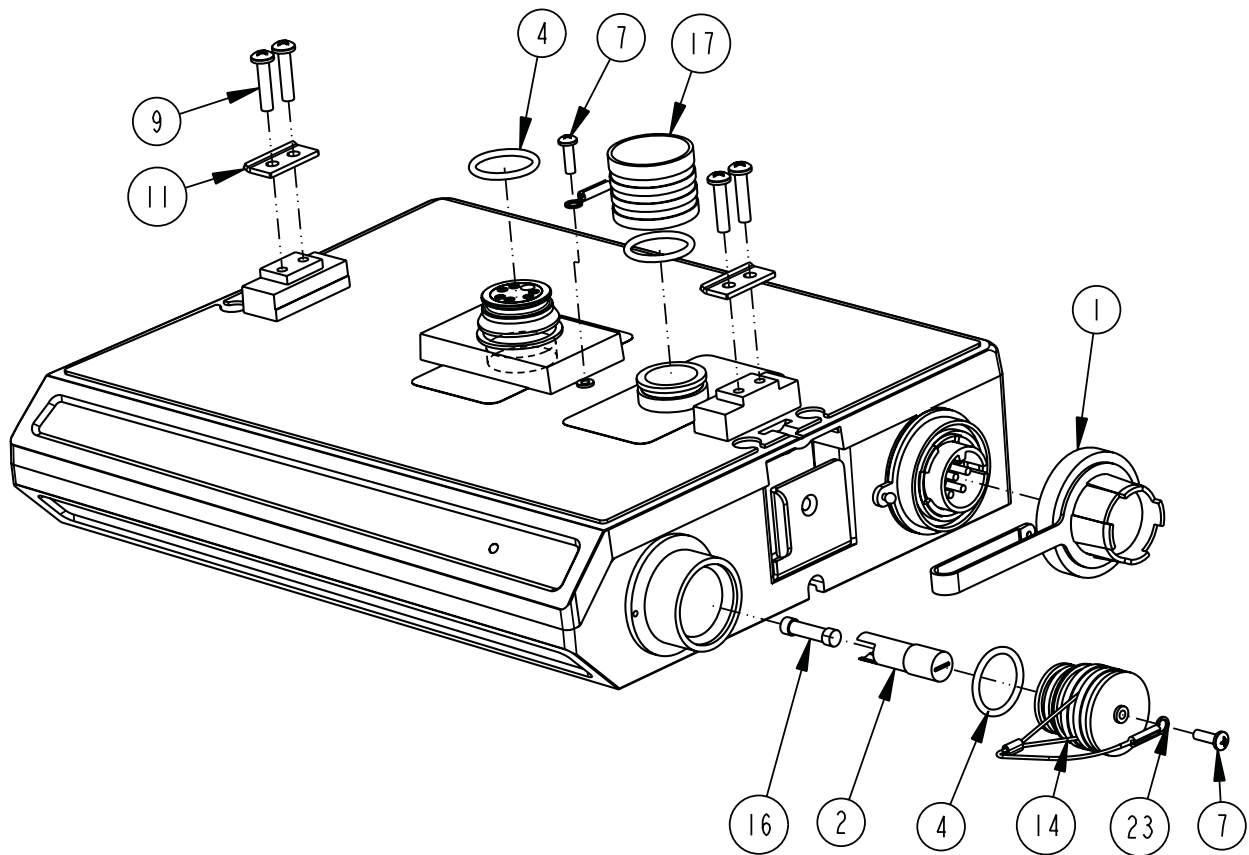
SHEET 1 OF 2

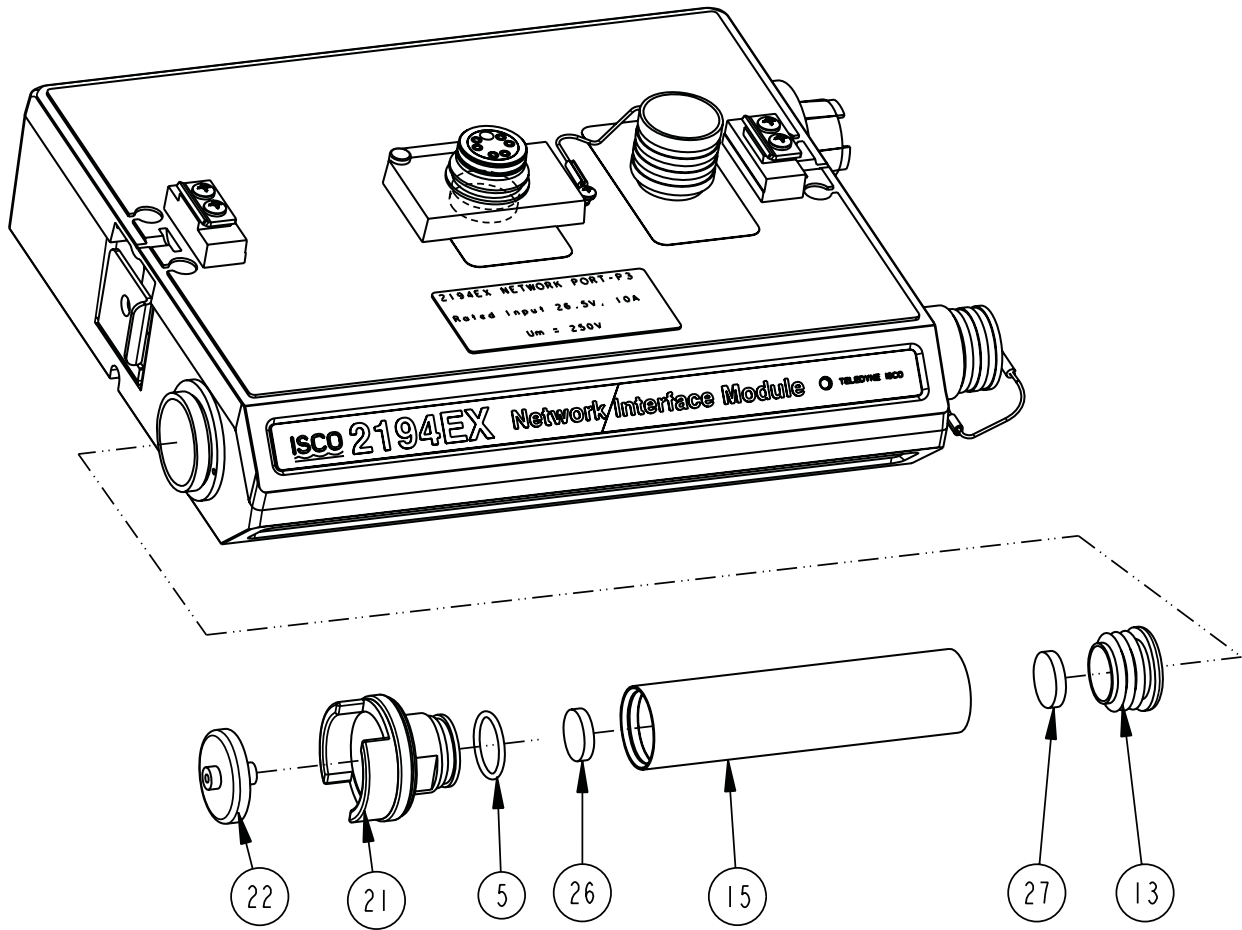


DRAWING NO.
602002336 A

SHEET 1 OF 5

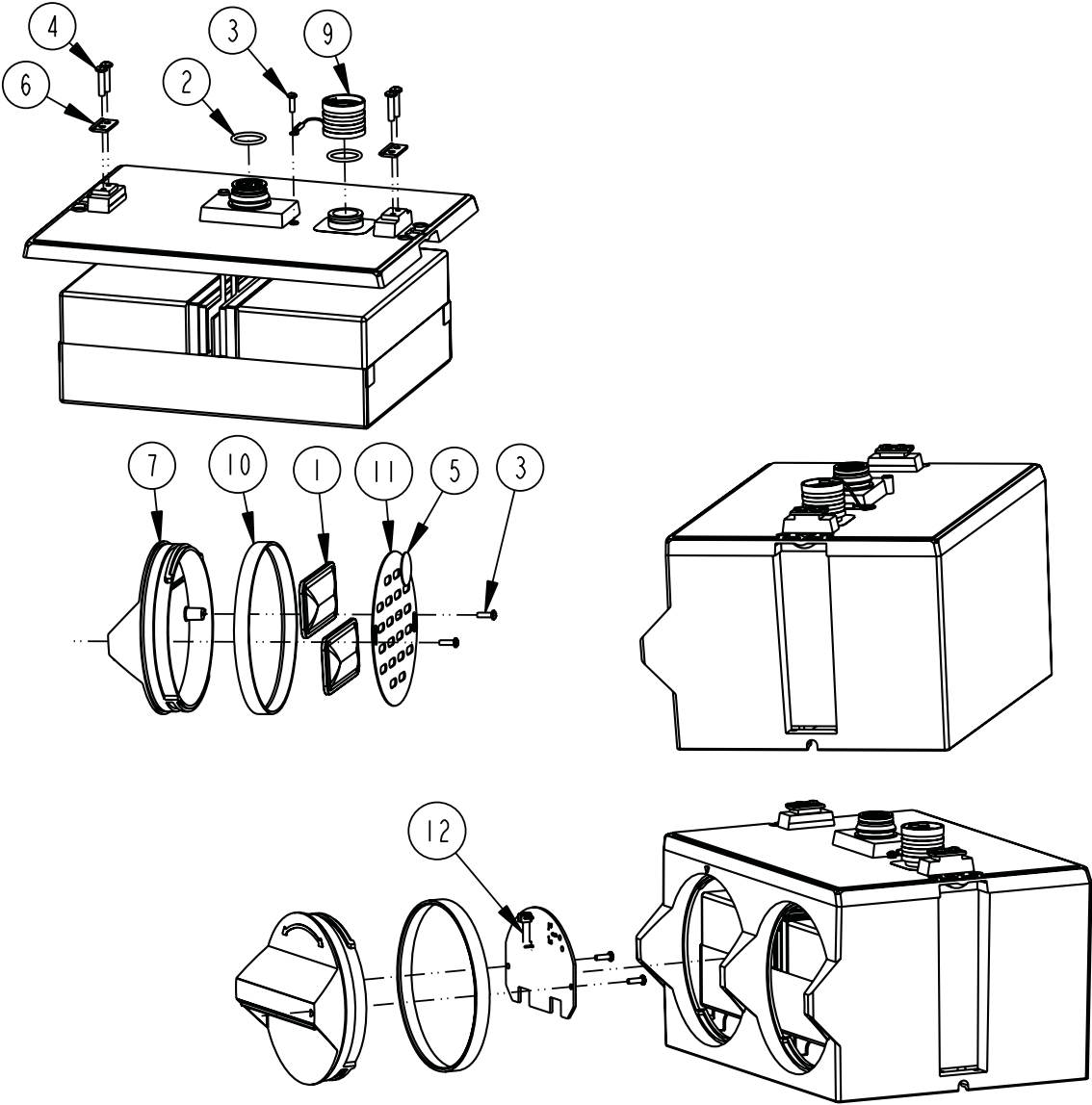
REPLACEMENT PARTS LIST,
2194EX MODULE





REPLACEMENT PARTS LIST		602002336
		SHEET: 4 OF 5
TELEDYNE ISCO, INC.		REV: A 07023
ITEM NO.	PART NUMBER	DESCRIPTION
1	109030733	SEALING CAP, PANEL MOUNT CONNECTOR
2	142110403	FUSE HOLDER, PANEL MOUNT, 5X20MM FUSES
3	201900102	BALL, .125 DIAMETER, 316 SST
4	202100669	O RING, .669 ID, .079 CROSS SECTION, BUNA-N RUBBER
5	202500017	O RING, .676 ID, .070 CROSS SECTION, BUNA-N RUBBER
6	203011602	COMPRESSION SPRING, .022 DIA WIRE, .31 FREE LENGTH
7	231310140	SCREW, SELF TAP, #4 X 3/8, PAN HEAD, PHILLIPS, SST
8	231311206	SCREW, SELF TAP, #6 X 3/8, PAN HEAD, PHILLIPS, SST
9	231514920	SCREW, SELF TAP, 6-19 X 5/8, TORX, PAN HEAD, SST
10	231611108	SCREW, SELF TAP, #4 X 1/2, PAN HEAD, PHILLIPS, SST
11	602003019	NODE CLIP
12	602003022	LATCH HOLD
13	602003074	CAP PLUG MODIFICATION, DISICCANT
14	602003076	PLUG, FEMALE PROBE
15	602003086	DESICCANT TUBE, 4.1 LONG
16	602003469	FUSE SELECTED FOR RESISTANCE TOLERANCE
17	602004012	CAP ASSEMBLY, MALE CONNECTOR
18	602004013	PLUG ASSEMBLY FEMALE CONNECTOR (Includes item 4)
19	602004033	PLUG ASSEMBLY FEMALE PROBE (Includes items 4, 7, 14, & 23)
20	602004060	DESICCANT ASSEMBLY, SHORT (Includes items 5, 13, 15, 21, 22, 26 & 27)
21	602004264	DESICCANT CAP ASSEMBLY
22	602005003	AIR FILTER MODIFICATION, IN-LINE
23	692003172	CABLE, FEMALE PROBE PLUG
24	692003189	SMALL LATCH
25	692003190	LARGE LATCH
26	692203300	FRIT .620 DIA
NOTE: 1. For current prices and quotations on parts, contact Isco Service Department. 2. This list is subject to change without notice.		

2150EX Area Velocity Flow Module
Appendix A Replacement Parts



DRAWING NO.
602002540 A
SHEET 1 OF 2

REPLACEMENT PARTS LIST,
2196EX NODE ASSEMBLY

2150EX Area Velocity Flow Module

Appendix B Accessories

B.1 How to Order

Accessories can be purchased by contacting Teledyne Isco's Customer Service Department.

Teledyne Isco, Inc.
Customer Service Dept.
P.O. Box 82531
Lincoln, NE 68501 USA

Phone: (800) 228-4373
(402) 464-0231
FAX: (402) 465-3022

E-mail: IscoInfo@teledyne.com

B.2 General Accessories

AV2150EX Sensor (8m Cable)	60-2004-331
Av2150EX Sensor (25m Cable)	60-2004-334
LTC2191EX Lithium Battery Pack (2 required)	68-2000-022
SLA2191EX Lead-Acid Battery Pack (2 required)	68-2000-023
8V2191SLA Lead-Acid Battery Charger (EU line cord)	68-2000-024
8V2191SLA Lead-Acid Battery Charger (US line cord)	68-2000-025
RS232EX Isolator Cable	60-2004-339
RS485EX Isolator Cable	60-2004-340
NET2EX Two Meter EX Network Cable	60-2004-335
NET8EX Eight Meter EX Network Cable	60-2004-336
Flowlink software.	CALL
Instruction Manual	69-2003-347
Isco Open Channel Flow Measurement Handbook	60-3003-041
2194EX Network Interface Module	60-2004-333
2194EX 75m Interface Cable.	60-2004-337
2194EX 150m Interface Cable.	60-2004-338
Power Adapter Cable	69-2004-451
2100EX Bottom Plate	60-2004-344
Suspension Handle	60-1704-017
Carrying Handle	69-2003-271
2196EX Battery Module	60-2004-540

	965 Five-Station Battery Charger	68-3000-965
	<i>(US line cord; for use with 2196EX)</i>	
	965 Five-Station Battery Charger	69-3000-966
	<i>(EU line cord; for use with 2196EX)</i>	
	Alligator clip adaptor cable for 965 charger	60-1394-023
	<i>(for use with 2196EX)</i>	
	963 Lead-Acid Battery Charger	68-3004-198
	<i>(for use with 2196EX)</i>	
	2A Battery Charger with indicator lights	68-2000-044
	<i>(for use with 2196EX)</i>	
	2A charge fuse (F1)	411-9922-60
	<i>(for use with 2196EX)</i>	

B.3 Maintenance Kits

2150EX Maintenance Kit	60-2059-001
2191EX Battery Module Maintenance Kit	60-2099-001

B.4 AV Sensor Mounting Accessories

The AV2150EX Area Velocity Sensor can be installed using Isco's installation systems listed below. A Low Profile Carrier is optional when attaching the AV Sensor to any system listed below.

Low Profile Carrier <i>(attaches the AV sensor to a ring or plate)</i>	60-3204-029
-------------------------------------------------------------------------------------	-------------

Spring Rings *(Each ring includes plastic ties and a manual)*

15.2 cm (6") Diameter	68-3200-007
20.3 cm (8") Diameter	68-3200-008
25.4 cm (10") Diameter	68-3200-009
30.5 cm (12") Diameter	68-3200-010
38.1 cm (15") Diameter	68-3200-011

Scissors Rings *(Each scissors ring includes a base section, scissors mechanism, extensions, plastic ties, and a manual)*

40.6-61 cm (16-24") Pipe	68-3000-042
66-96.5 cm (26-38") Pipe	68-3000-043
96.5-111.7 cm (38-44") Pipe	68-3000-044
111.7-121.9 cm (44-48") Pipe	68-3000-045
152.4 cm (60") Pipe	68-3000-046
182.9 cm (72") Pipe	68-3000-047
40.6-152.4 cm (16-60") Pipe	68-3000-048

Base Section <i>(with plastic ties and manual)</i>	60-3004-169
--------------------------------------------------------------	-------------

Sensor Mounting Plate <i>(With plastic ties & instructions)</i> . .	68-3000-051
-------------------------------------------------------------------------	-------------

2150EX Area Velocity Flow Module

Appendix C Material Safety Data Sheets

C.1 Overview

This appendix provides Material Safety Data Sheets for the desiccant used by the 2150EX Area Velocity Flow Module.

Teledyne Isco cannot guarantee the accuracy of the data. Specific questions regarding the use and handling of the products should be directed to the manufacturer listed on the MSDS.

101 Christine Drive
Belen, New Mexico 87002
Phone: (505) 864-6691
Fax: (505) 861-2355



MATERIAL SAFETY DATA SHEET -- September 28, 1998
SORB-IT®
Packaged Desiccant

SECTION I -- PRODUCT IDENTIFICATION

Trade Name and Synonyms:	Silica Gel, Synthetic Amorphous Silica, Silicon, Dioxide
Chemical Family:	Synthetic Amorphous Silica
Formula:	SiO ₂ .x H ₂ O

SECTION II -- HAZARDOUS INGREDIENTS

Components in the Solid Mixture

COMPONENT	CAS No	%	ACGIH/TLV (PPM)	OSHA-(PEL)
Amorphous Silica	63231-67-4	>99	PEL - 20 (RESPIRABLE), TLV - 5	LIMIT - NONE, HAZARD - IRRITANT "

Synthetic amorphous silica is not to be confused with crystalline silica such as quartz, cristobalite or tridymite or with diatomaceous earth or other naturally occurring forms of amorphous silica that frequently contain crystalline forms.

This product is in granular form and packed in bags for use as a desiccant. Therefore, no exposure to the product is anticipated under normal use of this product. Avoid inhaling desiccant dust.

SECTION III -- PHYSICAL DATA

Appearance and Odor:	White granules; odorless.
Melting Point:	>1600 Deg C; >2900 Deg F
Solubility in Water:	Insoluble.
Bulk Density:	>40 lbs./cu. ft.
Percent Volatile by Weight @ 1750 Deg F:	<10%.

[101 Christine Drive](#)
[Belen, New Mexico 87002](#)
[Phone: \(505\) 864-6691](#)
[Fax: \(505\) 861-2355](#)



MATERIAL SAFETY DATA SHEET -- September 28, 1998
SORB-IT®
Packaged Desiccant

SECTION IV -- FIRE EXPLOSION DATA

Fire and Explosion Hazard - Negligible fire and explosion hazard when exposed to heat or flame by reaction with incompatible substances.

Flash Point - Nonflammable.

Firefighting Media - Dry chemical, water spray, or foam. For larger fires, use water spray fog or foam.

Firefighting - Nonflammable solids, liquids, or gases: Cool containers that are exposed to flames with water from the side until well after fire is out. For massive fire in enclosed area, use unmanned hose holder or monitor nozzles; if this is impossible, withdraw from area and let fire burn. Withdraw immediately in case of rising sound from venting safety device or any discoloration of the tank due to fire.

SECTION V -- HEALTH HAZARD DATA

Health hazards may arise from inhalation, ingestion, and/or contact with the skin and/or eyes. Ingestion may result in damage to throat and esophagus and/or gastrointestinal disorders. Inhalation may cause burning to the upper respiratory tract and/or temporary or permanent lung damage. Prolonged or repeated contact with the skin, in absence of proper hygiene, may cause dryness, irritation, and/or dermatitis. Contact with eye tissue may result in irritation, burns, or conjunctivitis.

First Aid (Inhalation) - Remove to fresh air immediately. If breathing has stopped, give artificial respiration. Keep affected person warm and at rest. Get medical attention immediately.

First Aid (Ingestion) - If large amounts have been ingested, give emetics to cause vomiting. Stomach siphon may be applied as well. Milk and fatty acids should be avoided. Get medical attention immediately.

First Aid (Eyes) - Wash eyes immediately and carefully for 30 minutes with running water.

[101 Christine Drive](#)
[Belen, New Mexico 87002](#)
[Phone: \(505\) 864-6691](#)
[Fax: \(505\) 861-2355](#)



MATERIAL SAFETY DATA SHEET -- September 28, 1998
SORB-IT®
Packaged Desiccant

NOTE TO PHYSICIAN: This product is a desiccant and generates heat as it adsorbs water. The used product can contain material of hazardous nature. Identify that material and treat accordingly.

SECTION VI -- REACTIVITY DATA

Reactivity - Silica gel is stable under normal temperatures and pressures in sealed containers. Moisture can cause a rise in temperature which may result in a burn.

SECTION VII -- SPILL OR LEAK PROCEDURES

Notify safety personnel of spills or leaks. Clean-up personnel need protection against inhalation of dusts or fumes. Eye protection is required. Vacuuming and/or wet methods of cleanup are preferred. Place in appropriate containers for disposal, keeping airborne particulates at a minimum.

SECTION VIII -- SPECIAL PROTECTION INFORMATION

Respiratory Protection - Provide a NIOSH/MSHA jointly approved respirator in the absence of proper environmental control. Contact your safety equipment supplier for proper mask type.

Ventilation - Provide general and/or local exhaust ventilation to keep exposures below the TLV. Ventilation used must be designed to prevent spots of dust accumulation or recycling of dusts.

Protective Clothing - Wear protective clothing, including long sleeves and gloves, to prevent repeated or prolonged skin contact.

Eye Protection - Chemical splash goggles designed in compliance with OSHA regulations are recommended. Consult your safety equipment supplier.

101 Christine Drive
Belen, New Mexico 87002
Phone: (505) 864-6691
Fax: (505) 861-2355



MATERIAL SAFETY DATA SHEET -- September 28, 1998
SORB-IT®
Packaged Desiccant

SECTION IX -- SPECIAL PRECAUTIONS

Avoid breathing dust and prolonged contact with skin. Silica gel dust causes eye irritation and breathing dust may be harmful.

* No Information Available

HMIS (Hazardous Materials Identification System) for this product is as follows:

Health Hazard	0
Flammability	0
Reactivity	0
Personal Protection	HMIS assigns choice of personal protective equipment to the customer, as the raw material supplier is unfamiliar with the condition of use.

The information contained herein is based upon data considered true and accurate. However, United Desiccants makes no warranties expressed or implied, as to the accuracy or adequacy of the information contained herein or the results to be obtained from the use thereof. This information is offered solely for the user's consideration, investigation and verification. Since the use and conditions of use of this information and the material described herein are not within the control of United Desiccants, United Desiccants assumes no responsibility for injury to the user or third persons. The material described herein is sold only pursuant to United Desiccants' Terms and Conditions of Sale, including those limiting warranties and remedies contained therein. It is the responsibility of the user to determine whether any use of the data and information is in accordance with applicable federal, state or local laws and regulations.

Material Safety Data Sheet

Indicating Silica Gel

Identity (Trade Name as Used on Label)

Manufacturer : MULTISORB TECHNOLOGIES, INC. (formerly Multiform Desiccants, Inc.)	MSDS Number* : M75
Address: 325 Harlem Road Buffalo, NY 14224	CAS Number* :
Phone Number (For Information): 716/824-8900	Date Prepared: July 6, 2000
Emergency Phone Number: 716/824-8900	Prepared By* : G.E. McKedy

Section 1 - Material Identification and Information

Components - Chemical Name & Common Names (Hazardous Components 1% or greater; Carcinogens 0.1% or greater)	%*	OSHA PEL	ACGIH TLV	OTHER LIMITS RECOMMENDED
Silica Gel SiO ₂	98.0	6mg/m ³ (total dust)	10mg/m ³ (total dust)	
Cobalt Chloride	>2.0	0.05mg/m ³ (TWA cobalt metal dust & fume)	.05mg/m ³ (Cobalt, TWA)	
Non-Hazardous Ingredients				
TOTAL	100			

Section 2 - Physical/Chemical Characteristics

Boiling Point	N/A	Specific Gravity (H ₂ O = 1)	2.1
Vapor Pressure (mm Hg and Temperature)	N/A	Melting Point	N/A
Vapor Density (Air =1)	N/A	Evaporation Rate (_____ =1)	N/A
Solubility in Water	Insoluble, but will adsorb moisture.	Water Reactive	Not reactive, but will adsorb moisture.
Appearance and Odor	Purple crystals, no odor.		

Section 3 - Fire and Explosion Hazard Data

Flash Point and Methods Used	N/A	Auto-Ignition Temperature	N/A	Flammability Limits in Air % by Volume	N/A	LEL	UEL
Extinguisher Media	Dry chemical, carbon dioxide and foam can be used.						
Special Fire Fighting Procedures	Water will generate heat due to the silica gel which will adsorb water and liberate heat.						
Unusual Fire and Explosion Hazards	When exposed to water, the silica gel can get hot enough to reach the boiling point of water. Flooding with water will reduce the temperature to safe limits.						

Section 4 - Reactivity Hazard Data

STABILITY <input type="checkbox"/> Stable <input type="checkbox"/> Unstable	Conditions To Avoid	Moisture and high humidity environments.
Incompatibility (Materials to Avoid)	Water.	
Hazardous Decomposition Products	Carbon dioxide, carbon monoxide, water	
HAZARDOUS POLYMERIZATION <input type="checkbox"/> May Occur	Conditions To Avoid	None.

*Optional

Indicating Silica Gel

Section 5 - Health Hazard Data

PRIMARY ROUTES OF ENTRY	<input type="checkbox"/> Inhalation <input type="checkbox"/> Ingestion <input type="checkbox"/> Skin Absorption <input type="checkbox"/> Not Hazardous	CARCINOGEN LISTED IN	<input type="checkbox"/> NTP <input type="checkbox"/> OSHA <input type="checkbox"/> IARC Monograph <input type="checkbox"/> Not Listed
HEALTH HAZARDS	Acute May cause eye, skin and mucous membrane irritation. Chronic Prolonged inhalation may cause lung damage.		
Signs and Symptoms of Exposure	Drying and irritation.		
Medical Conditions Generally Aggravated by Exposure	Asthma.		
EMERGENCY FIRST AID PROCEDURES - Seek medical assistance for further treatment, observation and support if necessary.			
Eye Contact	Flush with water for at least 15 minutes.		
Skin Contact	Wash affected area with soap and water.		
Inhalation	Remove affected person to fresh air.		
Ingestion	Drink at least 2 glasses of water.		

Section 6 - Control and Protective Measures

Respiratory Protection (Specify Type)	Use NIOSH approved dust mask or respirator.		
Protective Gloves	Light cotton gloves.	Eye Protection	Safety glasses.
VENTILATION TO BE USED	<input type="checkbox"/> Local Exhaust	<input type="checkbox"/> Mechanical (General)	<input type="checkbox"/> Special
	<input type="checkbox"/> Other (Specify)		
Other Protective Clothing and Equipment	None.		
Hygienic Work Practices	Avoid raising dust. Avoid contact with skin, eyes and clothing.		

Section 7 - Precautions for Safe Handling and Use/Leak Procedures

Steps to be Taken if Material Is Spilled Or Released	Sweep or vacuum up and place the spilled material in a waste disposal container. Avoid raising dust.		
Waste Disposal Methods	Dispose in an approved landfill according to federal, state and local regulations.		
Precautions to be Taken In Handling and Storage	Cover promptly to avoid blowing dust. Wash after handling.		
Other Precautions and/or Special Hazards	Keep in sealed containers away from moisture. The silica gel will readily adsorb moisture.		

*Optional

Indicating Silica Gel



MATERIAL SAFETY DATA SHEET

Effective Date March 8, 2005
MSDS Number M163

Section 1 – Product and Company Information

Product Name: Silica gel, indicating, yellow

Product Use: Desiccant, absorbent

Grades: Silica gel, indicating

Synonyms: Amorphous silica gel, SiO₂, silicon dioxide (amorphous)

Company: Multisorb Technologies, Inc.

Street Address: 325 Harlem Road

City, State, Zip, Country: Buffalo, NY 14224-1893 USA

Telephone Number: (716) 824 8900 [USA] Monday - Friday (8:00 - 5:00 EDT)

Fax Number: (716) 824 4091 [USA]

Website / E-Mail : multisorb.com

Section 2 – Composition / Information on Ingredients

Component Name	CAS Number	% by Weight
Synthetic amorphous silica gel (SiO ₂)	112926-00-8	100
Phenolphthalein	77-09-08	100 ppm

While this material is not classified, this MSDS contains valuable information critical to the safe handling and proper use of this product. This MSDS should be retained and available for employees and other users of this product.

Section 3 – Hazard Identification

Emergency Overview: A yellow bead or granular material that poses little or no immediate hazard. This material is not combustible.

Potential Health Effects:

Eyes: Dust and or product may cause eye discomfort and irritation seen as tearing and reddening.

Skin: The product dust may cause drying of the skin. Silica gel may get hot enough to burn skin when it adsorbs moisture rapidly. Use an excess of water to cool the silica gel.

Ingestion: Material is not toxic and will pass through the body normally.

Inhalation: Slight irritation is possible but none is expected.

Medical Effects Generally Aggravated by Exposure: Respiratory ailments.

Chronic Effects/Carcinogenicity: May cause eye, skin and mucous membrane irritation and drying.

Section 4 – First Aid Measures

- Eyes:** Rinse the eyes well with water while lifting the eye lids. If irritation persists, consult a physician.
- Skin:** Wash affected area with soap and water.
- Ingestion:** Ingestion is unlikely, this material will pass through the body normally.
- Inhalation:** Remove the affected person to fresh air and get medical attention if necessary.
- Notes to Physician:** Not applicable

Section 5 – Fire Fighting Measures

- Flammable Properties:** Not flammable
- Flash Point:** Not applicable **Method:** Not applicable
- Flammable Limits:** Not flammable
- Lower Flammability Limit:** Not applicable
- Upper Flammability Limit:** Not applicable
- Autoignition Temperature:** Not applicable
- Hazardous Combustion Products:** Not applicable
- Extinguishing Media:** Use extinguishing media that is appropriate for the surrounding fire. Silica gel is not combustible.
- Fire Fighting Instructions:** Not combustible
- Unusual Fire and Explosion Hazards:** None

Section 6 – Accidental Release Measures

- Spill:** Sweep or vacuum up and place the spilled material in a waste disposal container. Avoid raising dust. Wash with soap and water after handling.

Section 7 – Handling and Storage

- Handling:** Avoid raising dust and minimize the contact between worker and the material. Practice good hygienic work practices.
- Storage:** Store in a cool, dry location. Keep in sealed containers away from moisture. The silica gel will readily adsorb moisture.

Section 8 – Exposure Controls/Personal Protection

- Engineering Controls:** Use exhaust ventilation to keep the airborne concentrations below the exposure limits.
- Respiratory Protection:** Use NIOSH approved respirator when the air quality levels exceed the TLV's.
- Skin Protection:** Light gloves will protect against abrasion and drying of the skin.
- Eye Protection:** Safety glasses.

Component Name	Exposure Limits		
	OSHA PEL	ACGIH TLV	Other Recommended Limits
Silica gel	TWA 20 mppcf (80 mg / m ³ % SiO ₂)	TWA 10 mg / m ³	NIOSH REL TWA 6 mg / m ³ IDLH 3000 mg / m ³
Phenolphthalein	Not Applicable	Not Applicable	Not Applicable

Section 9 – Physical and Chemical Properties

- | | | | |
|------------------------|--------------------------|--------------------------|--------------------|
| Appearance: | Yellow beads or granules | Vapor Density: | Not applicable |
| Odor: | None | Boiling Point: | 4046° F (2230° C) |
| Physical State: | Solid bead | Melting Point: | 3110° F (1710° C) |
| PH: | Not applicable | Solubility: | Insoluble in water |
| Vapor Pressure: | Not applicable | Specific Gravity: | 2.1 |

Section 10 – Stability and Reactivity

- Stability:** Stable
- Conditions to avoid:** Moisture and high humidity environments.
- Incompatibility:** Water, fluorine, oxygen difluoride, chlorine trifluoride
- Hazardous Decomposition Products:** None
- Hazardous Polymerization:** Will not occur

Section 11 – Toxicological Information

This product and its components are not listed on the NTP or OSHA Carcinogen lists.

Animal Toxicology Tests for DOT Hazard classification
(Tests Conducted on finely ground silica gel)

1 - hour LC₅₀ (rat) > 2 mg / l
48 - hour oral LD₅₀ (rat) est. > 31,600 mg / kg
48 - hour dermal LD₅₀ (rabbit) est. > 2,000 mg / kg
Considered an ocular irritant

Human Toxicology Silica gel is a synthetic amorphous silica not to be confused with crystalline silica. Epidemiological studies indicate low potential for adverse health effects. In the activated form, silica gel acts as a desiccant and can cause a drying irritation of the mucous membranes and skin in cases of severe exposure. Multisorb Technologies Inc. knows of no medical conditions that are abnormally aggravated by exposure to silica gel. The primary route of entry is inhalation of dust.

Section 12 – Ecological Information

Not known to have any adverse effect on the aquatic environment. Silica gel is insoluble and non-toxic.

Section 13 – Disposal Information

Disposal Information If this product as supplied becomes a waste, it does not meet the criteria of a hazardous waste as defined under the Resource Conservation and Recovery Act (RCRA) 40 CFR 261. Materials of a hazardous nature that contact the product during normal use may be retained on the product. The user of the product must identify the hazards associated with the retained material in order to assess the waste disposal options. Dispose according to federal, state and local regulations.

Section 14 – Transportation Information

U.S. Department of Transportation Shipping Name: Not classified as a hazardous material. Not regulated.

Section 15 – Regulatory Information (Not meant to be all inclusive - selected regulations represented)

TSCA Listed: Yes

DSL/NDSL (Canadian) Listed: Yes

OSHA: TWA 20 mppcf (80 mg / m³ % SiO₂) for Silica gel

NIOSH: REL TWA 6 mg / m³ IDLH 3,000 mg / m³ for silica gel
Animal tests conducted in 1976 - 1978. 18 month exposure at 15 mg / m³ showed silica deposition in respiratory macrophages and lymph nodes, minimum lung impairment, no silicosis.

ACGIH: TLV - 10 mg / m³ for Silica gel

DOT: Not classified as a hazardous material.

Section 16 – Other Information

HMIS – Hazardous Materials Identification System

HMIS Rating	
Health	0
Flammability	0
Reactivity	0

0 - minimal hazard, 1 - slight hazard, 2 - moderate hazard, 3 - serious hazard, 4 - severe hazard

This MSDS was prepared by: George E. Mckedy
Senior Applications Development Specialist
Multisorb Technologies, Inc.

This data and recommendations presented in this data sheet concerning the use of our product and the materials contained therein are believed to be correct but does not purport to be all inclusive and shall be used only as a guide. However, the customer should determine the suitability of such materials for his purpose before adopting them on a commercial scale. Since the use of our products is beyond our control, no guarantee, expressed or implied, is made and no responsibility assumed for the use of this material or the results to be obtained therefrom. Information on this form is furnished for the purpose of compliance with Government Health and Safety Regulations and shall not be used for any other purposes. Moreover, the recommendations contained in this data sheet are not to be construed as a license to operate under, or a recommendation to infringe, any existing patents, nor should they be confused with state, municipal or insurance requirements, or with national safety codes.

2150EX Area Velocity Flow Module

Appendix D General Safety Procedures

The intrinsically safe 2150EX is intended for use in potentially explosive atmospheres, and complies with ATEX Directive 94/9/EC. The 2150EX is Group II, Category 1G or 2G equipment for use in gas hazard zones 0, 1, and 2. For safety information specific to the 2150EX, refer to the Safety Information section at the front of this manual.

The safety of the personnel who use the 2150EX is a critical consideration. The following general safety procedures, applicable to working in and around manholes and sewers, are those used by Black & Veatch, a respected consulting firm, and are published here by their permission.

Field personnel must keep safety uppermost in their minds at all times. When working above ground, rules of common sense and safety prevail. However, when entering manholes, strict safety procedures must be observed. Failure to do so could jeopardize not only your own life, but also the lives of other crew members.

CAUTION

Before you install any flow logger, you must take the proper safety precautions. The following discussion of safety procedures offers only general guidelines. Each situation in which you install a flow logger varies. You must take into account the individual circumstances of each installation.

Additional safety considerations, other than those discussed here, may be required. Check applicable guidelines, codes, and regulations of federal, state, city, and county agencies.

D.1 Hazards

There are many hazards connected with entering manholes. Some of the most common hazards are:

- *Adverse Atmosphere*—The manhole may contain flammable or poisonous gases or the atmosphere may be deficient in oxygen. Forced ventilation may be necessary.
- *Deteriorated Rungs*—Manhole steps may be corroded and not strong enough to support a man. It may be difficult to inspect the rungs because of poor lighting.
- *Traffic*—Whenever manholes are located in the traveled way, barricades and warning devices are essential to direct traffic away from an open manhole.
- *Falling Objects*—Items placed near the manhole opening may fall and injure a worker in the manhole. All loose items should be kept away from the manhole opening.

This applies to hand tools as well as stones, gravel and other objects.

- *Sharp Edges*—Sharp edges of items in or near a manhole may cause cuts or bruises.
- *Lifting Injuries*—Unless proper tools are used to remove manhole covers, back injuries or injuries to hands or feet may result.

D.2 Planning

Advance planning should include arrangements for test equipment, tools, ventilating equipment, protective clothing, traffic warning devices, ladders, safety harness, and adequate number of personnel. Hasty actions may result in serious injuries. Time spent in the manhole should be kept to a minimum.

D.3 Adverse Atmospheres

[Refer to the table of Hazardous Gases at the end of this Appendix.] Before workers enter a manhole, tests should be made for explosive atmosphere, presence of hydrogen sulfide, and oxygen deficiency. Combustible or toxic vapors may be heavier than air, so the tests on the atmosphere must be run at least $\frac{3}{4}$ of the way down the manhole.

Whenever adverse atmosphere is encountered, forced ventilation must be used to create safe conditions. After the ventilating equipment has been operated for a few minutes, the atmosphere in the manhole should be retested before anyone enters the manhole.

When explosive conditions are encountered, the ventilating blower should be placed upwind to prevent igniting any gas that is emerging from the opening. When a gasoline engine blower is used, it must be located so that exhaust fumes cannot enter the manhole.

If testing equipment is not available, the manhole should be assumed to contain an unsafe atmosphere and forced ventilation must be provided. It should never be assumed that a manhole is safe just because there is no odor or the manhole has been entered previously.

D.4 Entering Manholes

Since the top of the manhole is usually flush with the surrounding surface, there may not be anything for the person who is entering the manhole to grab on to steady himself. Persons who are entering manholes should not be permitted to carry anything in their hands as they enter the manhole, to ensure that their hands will be free to hold on or grab if they slip. A good method for entering a manhole is to sit on the surface facing the manhole steps or ladder, with the feet in the hole and the arms straddling the opening for support. As the body slides forward and downward, the feet can engage a rung, and the back can rest against the opposite side of the opening. If there is any doubt about the soundness of the manhole steps, a portable ladder should be used.

A person should never enter a manhole unless he is wearing personal safety equipment, including a safety harness and a hard hat. Two persons should be stationed at the surface continuously while anyone is working inside a manhole, to lift him out if he is overcome or injured. One man cannot lift an unconscious man out of a manhole.

The persons stationed at the surface should also function as guards to keep people and vehicles away from the manhole opening. To avoid a serious injury, a person should not be lifted out of manhole by his arm unless it is a dire emergency.

When more than one person must enter a manhole, the first person should reach the bottom and step off the ladder before the next one starts down. When two men climb at the same time, the upper one can cause the lower one to fall by slipping or stepping on his fingers.

D.4.1 Traffic Protection

In addition to traffic cones, markers, warning signs, and barricades, a vehicle or a heavy piece of equipment should be placed between the working area and oncoming traffic. Flashing warning signals should be used to alert drivers and pedestrians. Orange safety vests should be worn by personnel stationed at the surface when the manhole is located in a vehicular traffic area.

D.4.2 Removing the Covers

Manhole covers should be removed with a properly designed hook. Use of a pick ax, screwdriver, or small pry bar may result in injury. A suitable tool can be made from $\frac{3}{4}$ -inch round or hex stock. Two inches of one end should be bent at a right angle and the other end should be formed into a D-handle wide enough to accommodate both hands. Even with this tool, care must be exercised to prevent the cover from being dropped on the toes. The 2-inch projection should be inserted into one of the holes in the cover, the handle grasped with both hands, and the cover lifted by straightening the legs which have been slightly bent at the knees.

D.4.3 Other Precautions

Other precautions which should be taken when entering a manhole are:

- Wear a hard hat.
- Wear coveralls or removable outer garment that can be readily removed when the work is completed.
- Wear boots or nonsparking safety shoes.
- Wear rubberized or waterproof gloves.
- Wear a safety harness with a stout rope attached.
- Do not smoke.
- Avoid touching yourself above the collar until you have cleaned your hands.

D.4.4 Emergencies

Every member of the crew should be instructed on procedures to be followed in cases of an emergency. It is the duty of each crew chief to have a list of emergency phone numbers, including the nearest hospital and ambulance service, police precinct, fire station, and rescue or general emergency number.

D.4.5 Field Equipment

The following equipment should be available for use:

Blowers
Gloves
Breathing apparatus
Hard Hats
Coveralls
Harnesses
First aid kits
Manhole irons
Emergency flashers
Pick axes
Flashlight
Rain slickers
Mirror
Ropes
Gas detectors
Safety vests
Gas masks
Traffic cones
Waders

D.5 Lethal Atmospheres in Sewers

The following is an article written by Dr. Richard D. Pomeroy, and published in the October 1980 issue of "Deeds & Data" of the WPCF. Dr. Pomeroy is particularly well known for his studies, over a period of nearly 50 years, in the field of the control of hydrogen sulfide and other odors in sewers and treatment plants. He has personally worked in a great many functioning sewers. In the earlier years he did so, he admits, with little knowledge of the grave hazards to which he exposed himself.

"It is gratifying that the subject of hazards to people working in sewers is receiving much more attention than in past years, and good safety procedures are prescribed in various publications on this subject. It is essential that people know and use correct procedures.

"It is less important to know just what the hazardous components of sewer atmospheres are, as safety precautions should in general be broadly applicable, but there should be a reasonable understanding of this subject. It is disturbing to see statements in print that do not reflect true conditions.

"One of the most common errors is the assumption that people have died from a lack of oxygen. The human body is able to function very well with substantially reduced oxygen concentrations. No one worries about going to Santa Fe, New Mexico, (elev. 2,100 meters), where the partial pressure of oxygen is equal to 16.2% (a normal atmosphere is about 21%) oxygen. "When first going there, a person may experience a little 'shortness of breath' following exercise.

"People in good health are not afraid to drive over the high passes in the Rocky Mountains. At Loveland Pass, oxygen pressure is 13.2% of a normal atmosphere. At the top of Mt.

Whitney, oxygen is equal to 12.2%. Many hikers go there, and to higher peaks as well. After adequate acclimation, they may climb to the top of Mt. Everest, where oxygen is equal to only 6.7%.

“The lowest oxygen concentrations that I have observed in a sewer atmosphere was 13 percent. It was in a sealed chamber, near sea level, upstream from an inverted siphon on a metropolitan trunk. A man would be foolish to enter the chamber. Without ventilation, he might die, but not from lack of oxygen.

“It seems unlikely that anyone has ever died in a sewer from suffocation, that is, a lack of oxygen. Deaths have often been attributed to ‘asphyxiation.’ This is a word which, according to the dictionary, is used to mean death from an atmosphere that does not support life. The word has sometimes been misinterpreted as meaning suffocation, which is only one kind of asphyxiation.

“In nearly all cases of death in sewers, the real killer is hydrogen sulfide. It is important that this fact be recognized. Many cities diligently test for explosive gases, which is very important, and they may measure the oxygen concentration which usually is unimportant, but they rarely measure H_2S . Death has occurred where it is unlikely that there was any measurable reduction in the oxygen concentration. Waste water containing 2 mg per liter of dissolved sulfide, and at a pH of 7.0, can produce, in a chamber with high turbulence, a concentration of 300 PPM H_2S , in the air. This is considered to be a lethal concentration. Many people have died from H_2S , not only in sewers and industries, but also from swamps and from hot springs. In one resort area, at least five persons died from H_2S poisoning before the people were ready to admit that H_2S is not a therapeutic agent. Hardly a year passes in the US. without a sewer fatality from H_2S as well as deaths elsewhere in the world.

“The presence of H_2S in a sewer atmosphere is easily determined. A bellows-and-ampoule type of tester is very satisfactory for the purpose, even though it is only crudely quantitative. When using a tester of this type, do not bring the air to the ampoule by way of a tube, as this may change the H_2S concentration. Hang the ampoule in the air to be tested, with a suction tube to the bulb or bellows.

“Lead acetate paper is very useful as a qualitative indicator. It cannot be used to estimate the amount of sulfide, but it will quickly turn black in an atmosphere containing only a tenth of a lethal concentration.

“Electrodes or other similar electrical indicating devices for H_2S in air have been marketed. Some of them are known to be unreliable, and we know of none that have proved dependable. Do not use one unless you check it at frequent intervals against air containing known H_2S concentra-

tions. A supposed safety device that is unreliable is worse than none at all.

“Remember that the nose fails, too, when it comes to sensing dangerous concentrations of H₂S.

“Various other toxic gases have been mentioned in some publications. It is unlikely that any person has been asphyxiated in a sewer by any of those other gases, except possibly chlorine. The vapor of gasoline and other hydrocarbons is sometimes present in amounts that could cause discomfort and illness, but under that condition, the explosion hazard would be far more serious. The explosimeter tests, as well as the sense of smell, would warn of the danger. Pipelines in chemical plants might contain any number of harmful vapors. They, too, are sensed by smell and explosimeter tests if they get into the public sewer. Such occurrences are rare.

“The attempt to instill a sense of urgency about real hazards is diluted if a man is told to give attention to a long list of things that in fact are irrelevant.

“Be very careful to avoid high H₂S concentrations, flammable atmospheres, and hazards of physical injuries. Remember that much H₂S may be released by the stirring up of sludge in the bottom of a structure. Obey your senses in respect to irritating gases, such as chlorine (unconsciousness comes suddenly from breathing too much). Be cautious about strange odors. Do not determine percent oxygen in the air. There is a danger that the result will influence a man's thinking about the seriousness of the real hazards. Most important, use ample ventilation, and do not enter a potentially hazardous structure except in a good safety harness with two men at the top who can lift you out.”

Table D-1 Hazardous Gases

Gas	Chemical Formula	Common Properties	Specific Gravity or Vapor Density Air = 1	Physiological Effect*	Max Safe 60 Min. Exposure ppm	Max. Safe 8 Hour Exposure ppm	Explosive Range (% by vol. in air.) Limits lower/upper	Likely Location of Highest Concentration	Most Common Sources	Simplest and Cheapest Safe Method of Testing
Ammonia	NH ₃	Irritant and poisonous. Colorless with characteristic odor.	0.60	Causes throat and eye irritation at 0.05%, coughing at 0.17%. Short exposure at 0.5% to 1% fatal.	300 to 500	85	16 to 25	Near top. Concentrates in closed upper spaces	Sewers, chemical feed rooms	Detectable odor at low concentrations
Benzene	C ₆ H ₆	Irritant, colorless anesthetic	2.77	Slight symptoms after several hours exposure at 0.16% to 0.32%. 2% rapidly fatal.	3,000 to 5,000	25	1.3 to 7.1	At bottom	Industrial wastes, varnish, solvents	Combustible gas indicator
Carbon Bisulfide	CS ₂	Nearly odorless when pure, colorless, anesthetic. Poisonous.	2.64	Very poisonous, irritating, vomiting, convulsions, psychic disturbance.	—	15	1.3 to 44.0	At bottom	An insecticide	Combustible gas indicator
Carbon Dioxide	CO ₂	Asphyxiant, Colorless, odorless. When breathed in large quantities, may cause acid taste. Non-flammable. Not generally present in dangerous amounts unless an oxygen deficiency exists.	1.53	Cannot be endured at 10% more than a few minutes, even if subject is at rest and oxygen content is normal. Acts on respiratory nerves.	40,000 to 60,000	5,000	— to —	At bottom; when heated may stratify at points above bottom.	Products of combustion, sewer gas, sludge. Also issues from carbonaceous strata.	Oxygen deficiency indicator
Carbon Monoxide	CO	Chemical asphyxiant. Colorless, odorless, tasteless. Flammable. Poisonous.	0.97	Combines with hemoglobin of blood. Unconsciousness in 30 min. at 0.2% to 0.25%. Fatal in 4 hours at 0.1%. Headache in few hours at 0.02%.	400	50	12.5 to 74.0	Near top, especially if present with illuminating gas.	Manufactured gas, flue gas, products of combustion, motor exhausts. Fires of almost any kind.	CO ampoules
Carbon Tetrachloride	CCl ₄	Heavy, ethereal odor.	5.3	Intestinal upset, loss of consciousness, possible renal damage, respiratory failure.	1,000 to 1,500	100	— to —	At bottom.	Industrial wastes, solvent, cleaning	Detectable odor at low concentrations
Chlorine	Cl ₂	Irritant. Yellow-green color. Choking odor detectable in very low concentrations. Non-flammable.	2.49	Irritates respiratory tract. Kills most animals in a very short time at 0.1%.	4	1	— to —	At bottom.	Chlorine cylinder and feed line leaks	Detectable odor at low concentrations
Formaldehyde	CH ₂ O	Colorless, pungent suffocating odor.	1.07	Irritating to the nose.	—	10	7.0 to 73.0	Near bottom	Incomplete combustion of organics. Common air pollutant, fungicide.	Detectable odor
Gasoline	C ₈ H ₁₂ to C ₉ H ₂₀	Volatile solvent. Colorless. Odor noticeable at 0.03%. Flammable.	3.0 to 4.0	Anesthetic effects when inhaled. Rapidly fatal at 2.4%. Dangerous for short exposure at 1.1 to 2.2%.	4,000 to 7,000	1,000	1.3 to 6.0	At bottom	Service stations, garages, storage tanks, houses.	1. Combustible gas indicator. 2. Oxygen deficiency indicator.**
Hydrogen	H ₂	Simple asphyxiant. Colorless, odorless, tasteless. Flammable	0.07	Acts mechanically to deprive tissues of oxygen. Does not support life.	—	—	4.0 to 74.0	At top	Manufactured gas, sludge digestion tank gas, electrolysis of water. Rarely from rock strata.	Combustible gas indicator
Hydrogen Cyanide	HCN	Faint odor of bitter almonds. Colorless gas	0.93	Slight symptoms appear upon exposure to 0.002% to 0.004%. 0.3% rapidly fatal.	—	10	6.0 to 40.0	Near top	Insecticide and rodenticide	Detector tube

Table D-1 Hazardous Gases (Continued)

Gas	Chemical Formula	Common Properties	Specific Gravity or Vapor Density Air = 1	Physiological Effect*	Max Safe 60 Min. Exposure ppm	Max. Safe 8 Hour Exposure ppm	Explosive Range (% by vol. in air.) Limits lower/upper	Likely Location of Highest Concentration	Most Common Sources	Simplest and Cheapest Safe Method of Testing
Hydrogen Sulfide	H ₂ S	Irritant and poisonous volatile compound. Rotten egg odor in small concentrations. Exposure for 2 to 15 min. at 0.01% impairs sense of smell. Odor not evident at high concentrations. Colorless. Flammable.	1.19	Impairs sense of smell, rapidly as concentration increases. Death in few minutes at 0.2%. Exposure to 0.07 to 0.1% rapidly causes acute poisoning. Paralyzes respiratory center.	200 to 300	20	4.3 to 45.0	Near bottom, but may be above bottom if air is heated and highly humid.	Coal gas, petroleum, sewer gas. Fumes from blasting under some conditions. Sludge gas.	1. H ₂ S Ampoule. 2. 5% by weight lead acetate solution.
Methane	CH ₄	Simple asphyxiant. Colorless, odorless, tasteless, flammable.	0.55	Acts mechanically to deprive tissues of oxygen. Does not support life.	Probably no limit, provided oxygen percent-age is sufficient for life.	—	5.0 to 15.0	At top, increasing to certain depth.	Natural gas, sludge gas, manufactured gas, sewer gas. Strata of sedimentary origin. In swamps or marshes.	1. Combustible gas indicator 2. Oxygen deficiency indicator.
Nitrogen	N ₂	Simple asphyxiant. Colorless, tasteless. Non-flammable. Principal constituent of air. (about 79%).	0.97	Physiologically inert.	—	—	—	Near top, but may be found near bottom.	Sewer gas, sludge gas. Also issues from some rock strata.	Oxygen deficiency indicator
Nitrogen Oxides	NO	Colorless	1.04	60 to 150 ppm cause irritation and coughing.	50	10	—	Near bottom	Industrial wastes. Common air pollutant.	NO ₂ detector tube
	N ₂ O	Colorless, sweet odor.	1.53	Asphyxiant.	—	—	—			
	NO ₂	Reddish-brown. Irritating odor. Deadly poison	1.58	100 ppm dangerous. 200 ppm fatal.	—	—	—			
Oxygen	O ₂	Colorless, odorless, tasteless. Supports combustion.	1.11	Normal air contains 20.8% of O ₂ . Man can tolerate down to 12%. Minimum safe 8 hour exposure, 14 to 16%. Below 10%, dangerous to life. Below 5 to 7% probably fatal.	—	—	—	Variable at different levels.	Oxygen depletion from poor ventilation and absorption, or chemical consumption of oxygen.	Oxygen deficiency indicator
Ozone	O ₃	Irritant and poisonous. Strong electrical odor. Strong oxidizer. Colorless. At 1 ppm, strong sulfur-like odor.	1.66	Max. naturally occurring level is 0.04 ppm. 0.05 ppm causes irritation of eyes and nose. 1 to 10 ppm causes headache, nausea; can cause coma. Symptoms similar to radiation damage.	0.08	0.04	—	Near bottom	Where ozone is used for disinfection	Detectable odor at 0.015 ppm
Sludge Gas	—***	Mostly a simple asphyxiant. May be practically odorless, tasteless.	Variable	Will not support life.	No data. Would vary widely with composition.		5.3 to 19.3	Near top of structure	From digestion of sludge	See components
Sulfur Dioxide	SO ₂	Colorless, pungent odor. Suffocating, corrosive, poisonous, non-flammable.	2.26	Inflammation of the eyes. 400 to 500 ppm immediately fatal.	50 to 100	10	—	At bottom, can combine with water to form sulfurous acid.	Industrial waste, combustion, common air pollutant.	Detectable taste and odor at low concentration
Toluene	C ₆ H ₁₂ to C ₉ H ₂₀	Colorless, benzene-like odor.	3.14	At 200-500 ppm, headache, nausea, bad taste, lassitude.	200	100	1.27 to 7.0	At bottom	Solvent	Combustible gas indicator
Turpentine	C ₁₀ H ₁₆	Colorless, Characteristic odor.	4.84	Eye irritation. Headache, dizziness, nausea, irritation of the kidneys.	—	100	—	At bottom.	Solvent, used in paint	1. Detectable odor at low concentrations. 2. Combustible gas indicator.
Xylene	C ₈ H ₁₀	Colorless, flammable	3.66	Narcotic in high concentrations. less toxic than benzene.	—	100	1.1 to 7.0	At bottom	Solvent	Combustible gas indicator

* Percentages shown represent volume of gas in air.

** For concentration over 0.3%.

***Mostly methane and carbon dioxide with small amounts of hydrogen, nitrogen, hydrogen sulfide, and oxygen; occasionally traces of carbon monoxide.

2150EX Area Velocity Flow System

Index

A

- accessories, B-1
- area velocity sensor
 - cable, 5-11
 - connecting, 2-25
 - installation, 2-32
 - mounting, 2-28
 - positioning, 2-27
- associated apparatus, 2-18

B

- battery packs, 5-2
 - lead-acid, 5-4
 - lithium, 5-2

C

- communication, 2-21
- component identification, 1-4
 - connector pins, 1-11
- connector pins, 1-11
- contact the factory, 5-11

D

- data storage, 1-3, 3-7
- desiccant, 2-10, 5-8

F

- flow conversion, 3-5, 3-6

G

- general description, 1-1

I

- installation
 - battery packs, 2-8
 - example, 2-8
 - final check, 2-33
 - mounting considerations, 2-3
 - permanent, 2-18
 - portable, 2-8
 - preparation, 2-2
 - sensor, 2-27, 2-28, 2-32
 - site example, 2-4
 - site location, 2-2
 - with primary device, 2-3
 - without primary device, 2-3

L

- labeling, 1-8
- level offset, 2-27, 3-4

M

- maintenance
 - channel conditions, 5-9
 - cleaning, 5-10
 - desiccant, 2-10, 5-8
 - hydrophobic filter, 5-10
 - kits, 5-1
 - overview, 5-1
 - sensor cable, 5-11
- Material Safety Data Sheets, C-1
- measurement
 - flow, 1-3
 - level, 1-2, 3-3
 - overview, 1-2
 - velocity, 1-2
- MODBUS, 4-1
 - acronyms, 4-5
 - configurations, 4-3
 - glossary of terms, 4-4
- mounting rings, 2-28
 - scissors ring, 2-30
 - spring rings, 2-29
 - universal mounting ring, 2-30
- MSDS, C-1

N

- no data, 3-5

P

- permanent installations, 2-18
 - example, 2-19
 - wiring, 2-21
- portable installation
 - battery packs, 2-8
- portable installations, 2-8
 - battery packs, 5-2
 - example, 2-8
 - zone 1, 2-13
- programming, 2-33
 - connecting, 3-1
 - data storage rate, 3-7
 - module name, 3-8
 - overview, 3-1
 - settings, 3-2

silt level, 3-7
site name, 3-8

R

replacement parts, A-1

S

safety, 1-5, 1-6, 1-7, 2-2, D-1
 hazard severity levels, 1-5
 hazard symbols, 1-6
 installation, 1-10
 labeling, 1-8
 X-marking, 1-8, 2-17, 2-19, 2-26
scissors ring, 2-30
service, 5-11
 diagnostics, 5-11
specifications, 1-7
stacking, 2-11
system assembly, 2-11
system overview, 1-2

T

technical specifications, 1-7
total flow, 1-3

W

warnings, 1-5

X

X-marking, 1-8, 2-17, 2-19, 2-26

DECLARATION OF CONFORMITY



Application of Council Directive: 89/336/EEC – The EMC Directive
 73/23/EEC – The Low Voltage Directive
 94/9 EC – The ATEX Directive

Manufacturer's Name: Teledyne Isco, Inc.
 Manufacturer's Address: 4700 Superior, Lincoln, Nebraska 68504 USA
 Mailing Address: P.O. Box 82531, Lincoln, NE 68501

Equipment Type/Environment: Laboratory Equipment for Light Industrial/Commercial Environments:
 The device is a water flow monitoring instrument consisting of a battery power supply housed inside a black plastic enclosure (base) and a flow monitoring electronic circuit board assembly housed inside a plastic enclosure that is mounted on top of the power supply enclosure. The device is intended for operation in ambient temperature range of -40 to +60 C.

Trade Name/Model No: **2150EX Node and AV2150EX Sensor**
 Year of Issue: 2004

Standards to which Conformity is Declared: EN 50014:1997 + Amd 1&2, Electrical Apparatus for Potentially Explosive Atmospheres – General Requirements
 EN 50020:2002, Electrical Apparatus for Potentially Explosive Atmospheres – Intrinsically Safe “i”
 EN 50284:1999, Special Requirements for Construction, Test, and Marking of Electrical Apparatus of Equipment Group II Category 1G
 EN 61010-1, Safety Requirements for Electrical Equipment for Measurement, Control, and Laboratory Use
 EN 61326:1998, EMC Requirements for Electrical Equipment for Measurement, Control, and Laboratory Use
 EN 60529:1992, Degrees of Protection Provided by Enclosure
 Self Certified as IP-65

EC-Type Examination Certificates:
Flow Module Type 2150EX: Baseefa04ATEX0083
Sensor Type AV2150EX: Baseefa04ATEX0101X

The 2150EX flow Monitoring System is covered by a QA Notification to Annex 4 of the 94/9/EC Directive issued by Baseefa NB number 1180.

Standard	Description	Severity Applied	Performance Criteria
EN61000-4-2	Electrostatic Discharge	Level 2 – 4Kv contact discharge Level 3 – 8Kv air discharge	A A
EN61000-4-3	*Radiated RF Immunity	80 MHz to 1000MHz 80% AM at 1KHz Level 1 – 10V/m	*B
EN61000-4-4	Electrical Fast Transient	Level 1 – 1Kv on I/O Cables	A
EN61000-4-6	Conducted RF on I/O lines	150 KHz to 80 MHz, Level 2 - 3Vrms, 80% modulated	B
CISPR11/ EN 55011	RF Emissions	Group 1, Class A Industrial, Scientific, and Medical Equipment	

Sensor flow accuracy degradation is evident in RF fields above 3V/m between 210MHz and 440MHz.

We, the undersigned, hereby declare that the design of the equipment specified above conforms to the above Directive(s) and Standards as of April 15, 2004.

William Foster
USA Representative



William Foster
 Director of Engineering
 Teledyne Isco, Inc.
 4700 Superior Street
 Lincoln, Nebraska 68504
 Phone: (402) 464-0231
 Fax: (402) 464-4543

60-2002-333
 Rev A

DECLARATION OF CONFORMITY



Application of Council Directive: 89/336/EEC -The EMC Directive
 73/23/EEC - The Low Voltage Directive
 94/9 EC - The ATEX Directive

Manufacturer's Name: Teledyne Isco, Inc.
 Manufacturer's Address: 4700 Superior, Lincoln, Nebraska 68504 USA
 Mailing Address: P.O. Box 82531, Lincoln, NE 68501

Equipment Type/Environment: Laboratory Equipment for Light Industrial/Commercial Environments:
 The device is a water flow monitoring instrument consisting of a battery power supply housed inside a black plastic enclosure (base) and a flow monitoring electronic circuit board assembly housed inside a plastic enclosure that is mounted on top of the power supply enclosure. The device is intended for operation in ambient temperature range of -40 to +60 C.

Trade Name/Model No: **2191EX Battery Node and LTC2191EX Battery or SLA2191EX Battery**
 Year of Issue: 2004

Standards to which Conformity is Declared: EN 50014:1997 + Amd 1&2, Electrical Apparatus for Potentially Explosive Atmospheres – General Requirements
 EN50020:2002, Electrical Apparatus for Potentially Explosive Atmospheres – Intrinsically Safe “i”
 EN50284:1999, Special Requirements for Construction, Test, and Marking of Electrical Apparatus of Equipment Group II Category 1G
 EN 61010-1, Safety Requirements for Electrical Equipment for Measurement, Control, and Laboratory Use
 EN 61326-1998, EMC Requirements for Electrical Equipment for Measurement, Control, and Laboratory Use
 EN60529:1992, Degrees of Protection Provided by Enclosure
 Self Certified as IP-65

EC-Type Examination Certificates:
Battery Type LTC2191EX: Baseefa04ATEX0014
Battery Node Type2191EX: Baseefa04ATEX0013/1
Battery Type SLA2191EX: Baseefa04ATEX0339

The 2150EX Flow Monitoring System is covered by a QA Notification to Annex 4 of the 94/9/EC Directive issued by Baseefa NB number 1180.

EMC Standard	Description	Severity Applied	Performance Criteria
EN61000-4-2	Electrostatic Discharge	Level 2 – 4Kv contact discharge Level 3 – 8Kv air discharge	A A
EN61000-4-3	Radiated RF Immunity	80 MHz to 1000MHz 80% AM at 1KHz Level 1 – 10V/m	A
EN61000-4-4	Electrical Fast Transient	Level 1 – 1Kv on I/O Cables	A
EN61000-4-6	Conducted RF on I/O Cables	150KHz to 80MHz Level 2 - 3Vrms 80% modulated	B
CISPR11/ EN 55011	RF Emissions	Group 1, Class A Industrial, Scientific, and Medical Equipment	

We, the undersigned, hereby declare that the design of the equipment specified above conforms to the above Directive(s) and Standards as of April 15, 2004.

William Foster
 USA Representative

Teledyne Isco Inc.

William Foster
 Director of Engineering
 Teledyne Isco, Inc.
 4700 Superior Street
 Lincoln, Nebraska 68504
 Phone: (402) 464-0231
 Fax: (402) 464-4543

60-2002-334
 Rev B

DECLARATION OF CONFORMITY



Application of Council Directive: 89/336/EEC - The EMC Directive
73/23/EEC - The Low Voltage Directive
94/9 EC - The ATEX Directive

Manufacturer's Name: Teledyne Isco, Inc.

Manufacturer's Address: 4700 Superior, Lincoln, Nebraska 68504 USA
Mailing Address: P.O. Box 82531, Lincoln, NE 68501

Equipment Type/Environment: Laboratory Equipment for Light Industrial/Commercial Environments:
The device is a water flow monitoring instrument consisting of a battery power supply housed inside a black plastic enclosure (base) and a flow monitoring electronic circuit board assembly housed inside a plastic enclosure that is mounted on top of the power supply enclosure. The device is intended for operation in ambient temperature range of -40 to +60 C.

Trade Name/Model No: **2194EX Network Interface Module**

Year of Issue: 2005

Standards to which Conformity is Declared:

EC-Type Examination Certificates:
Interface Type 2194EX: Baseefa04ATEX0028X

The 2150EX Flow Monitoring System is covered by a QA Notification to Annex 4 of the 94/9/EC Directive issued by Baseefa NB number 1180.

EN 50014:1997 + Amd 1&2, Electrical Apparatus for Potentially Explosive Atmospheres – General Requirements
EN50020:2002, Electrical Apparatus for Potentially Explosive Atmospheres – Intrinsically Safe “i”
EN50284:1999, Special Requirements for Construction, Test, and Marking of Electrical Apparatus of Equipment Group II Category 1G
EN 61010-1, Safety Requirements for Electrical Equipment for Measurement, Control, and Laboratory Use
EN 61326-1998, EMC Requirements for Electrical Equipment for Measurement, Control, and Laboratory Use
EN60529:1992, Degrees of Protection Provided by Enclosure
Self Certified as IP-65

EMC Standard	Description	Severity Applied	Performance Criteria
EN61000-4-2	Electrostatic Discharge	Level 2 – 4Kv contact discharge Level 3 – 8Kv air discharge	A A
EN61000-4-3	Radiated RF Immunity	80 MHz to 1000MHz 80% AM at 1KHz Level 1 – 10V/m	A
EN61000-4-4	Electrical Fast Transient	Level 2 – 2Kv on AC Lines Level 1 – 1Kv on I/O Cables	A
EN61000-4-5	*Surge	Level 2 - 1kV common mode, Level 2 - 0.5KV differential mode	A
EN61000-4-6	Conducted RF on I/O Cables	150KHz to 80MHz Level 2 – 3Vrms 80% modulated	B
EN61000-4-11	Voltage Dips/Interruptions	100% Drop 10ms	A
CISPR11/ EN 55011	RF Emissions	Group 1, Class A Industrial, Scientific, and Medical Equipment	
EN61000-3-3,3-4	Harmonic and Flicker		

*Surge on I/O not conducted because test is irrelevant. (Surge coupled into I/O is not possible from any source in EX environment.)

We, the undersigned, hereby declare that the design of the equipment specified above conforms to the above Directive(s) and Standards as of April 5, 2005.

William Foster
USA Representative



TELEDYNE ISCO

A Teledyne Technologies Company

William Foster
Director of Engineering
Teledyne Isco, Inc.
4700 Superior Street
Lincoln, Nebraska 68504
Phone: (402) 464-0231
Fax: (402) 464-4543

60-2002-335 Rev

DECLARATION OF CONFORMITY



Application of Council Directive: 89/336/EEC -The EMC Directive
73/23/EEC - The Low Voltage Directive
94/9 EC - The ATEX Directive

Manufacturer's Name: Teledyne Inc.
Manufacturer's Address: 4700 Superior, Lincoln, Nebraska 68504 USA
Mailing Address: P.O. Box 82531, Lincoln, NE 68501

Equipment Type/Environment: Laboratory Equipment for Light Industrial/Commercial Environments:
The device is a water flow monitoring instrument consisting of a battery power supply housed inside a black plastic enclosure (base) and a flow monitoring electronic circuit board assembly housed inside a plastic enclosure that is mounted on top of the power supply enclosure. The device is intended for operation in ambient temperature range of -40 to +60 C.

Trade Name/Model No: **RS232EX and RS485EX Isolator Cable**
Year of Issue: 2004

Standards to which Conformity is Declared: EN 50014:1997 + Amd 1&2, Electrical Apparatus for Potentially Explosive Atmospheres – General Requirements
EN50020:2002, Electrical Apparatus for Potentially Explosive Atmospheres – Intrinsically Safe “i”
EN50284:1999, Special Requirements for Construction, Test, and Marking of Electrical Apparatus of Equipment Group II Category 1G
EN 61010-1, Safety Requirements for Electrical Equipment for Measurement, Control, and Laboratory Use
EN 61326-1998, EMC Requirements for Electrical Equipment for Measurement, Control, and Laboratory Use
EN60529:1992, Degrees of Protection Provided by Enclosure
Self Certified as IP-65

EC-Type Examination Certificates:
Isolator Cable Type RS232EX: Baseefa04ATEX0147
Isolator Cable Type RS485EX: Baseefa04ATEX0261

The 2150EX Flow Monitoring System is covered by a QA Notification to Annex 4 of the 94/9/EC Directive issued by Baseefa NB number 1180.

EMC Standard	Description	Severity Applied	Performance Criteria
EN61000-4-2	Electrostatic Discharge	Level 2 – 4Kv contact discharge Level 3 – 8Kv air discharge	A A
EN61000-4-3	Radiated RF Immunity	80 MHz to 1000MHz 80% AM at 1KHz Level 1 – 10V/m	A
EN61000-4-4	Electrical Fast Transient	Level 1 – 1Kv on I/O Cables	A
EN61000-4-6	Conducted RF on I/O Cables	150KHz to 80MHz Level 2 - 3Vrms 80% modulated	B
CISPR11/ EN 55011	RF Emissions	Group 1, Class A Industrial, Scientific, and Medical Equipment	

We, the undersigned, hereby declare that the design of the equipment specified above conforms to the above Directive(s) and Standards as of May 20, 2004.

William Foster
USA Representative



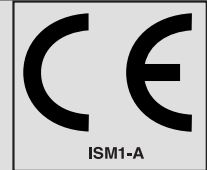
TELEDYNE ISCO
A Teledyne Technologies Company

William Foster
Director of Engineering
Teledyne Isco, Inc.
4700 Superior Street
Lincoln, Nebraska 68504
Phone: (402) 464-0231
Fax: (402) 464-4543

60-2002-084

Rev B

DECLARATION OF CONFORMITY



Application of Council Directive: 2004/108/EC -The EMC Directive
 94/9 EC - The ATEX Directive
 2002/96/EC – The WEEE Directive

Manufacturer's Name: Teledyne Isco, Inc.
 Manufacturer's Address: 4700 Superior, Lincoln, Nebraska 68504 USA
 Mailing Address: P.O. Box 82531, Lincoln, NE 68501

Equipment Type/Environment: Laboratory Equipment for Light Industrial/Commercial Environments:
 The device is a battery power supply housed inside a black plastic enclosure (base). The device is intended for operation in ambient temperature range of -40 to +60 C.

Trade Name/Model No: **Battery Node Type 2196EX**
 Year of Issue: 2007

Standards to which Conformity is Declared: EN60079-0:2004, Electrical Apparatus for Potentially Explosive Atmospheres
 -General Requirements
 EN60079-7:2007, Equipment protection by increased safety "e"
 EN50020:2002, Equipment protection by intrinsic safety "i"
 EN61326-2003, EMC Requirements for Electrical Equipment for Measurement, Control, and Laboratory Use
 EN60529:1992, Degrees of Protection Provided by Enclosure Self Certified as IP-68

EC-Type Examination Certificates:
Battery Node Type 2196EX:Baseefa07ATEX0033X

The 2150EX Flow Monitoring System is covered by a QA Notification to Annex 4 of the 94/9/EC Directive issued by Baseefa NB number 1180.

EMC Standard	Description	Severity Applied	Performance Criteria
EN61000-4-2:1995	Electrostatic Discharge	Level 2 – 4Kv contact discharge Level 3 – 8Kv air discharge	B B
EN61000-4-3:1995	Radiated RF Immunity	80 MHz to 1000MHz 80% AM at 1KHz Level 3 – 10V/m	A
CISPR11/ EN 55011	RF Emissions	Group 1, Class A Industrial, Scientific, and Medical Equipment	

We, the undersigned, hereby declare that the design of the equipment specified above conforms to the above Directive(s) and Standards as of February 14, 2007.

William Foster
 USA Representative

Teledyne Isco Inc.

William Foster
 Director of Engineering
 Teledyne Isco, Inc.
 4700 Superior Street
 Lincoln, Nebraska 68504
 Phone: (402) 464-0231
 Fax: (402) 464-4543

60-2002-541
 Rev

Replacement Policy

Although some repairs to the Teledyne Isco 2151, 2151P, 2150EX, and 2194EX modules can be made without opening the unit (such as problems with the battery component or firmware), there are some repairs that would require opening the unit. However, the Teledyne Isco 2151, 2151P, and 2150EX modules cannot be opened for repair without voiding their intrinsically safe certification. Therefore, Teledyne Isco offers a prorated replacement cost during the first four years of ownership of the unit.

The first year is covered by Teledyne Isco's One Year Limited Factory Service Warranty, which will repair or replace your 2151, 2151P, or 2150EX module free of charge during the first year, provided it meets the terms of the warranty.

For succeeding years of ownership, if failure is due to faulty parts or workmanship, repairs that can be made without opening the unit will be done at the prevailing technical service rate. If repair would require opening the unit, Teledyne Isco will replace the unit according to the prorated costs listed below:

- Year 2: replaced at 25% of current list price
- Year 3: replaced at 50% of current list price
- Year 4: replaced at 75% of current list price
- Year 5 and after: replaced at 100% of current list price

If you have any questions regarding replacement of your unit, please contact Teledyne Isco.

Teledyne Isco One Year Limited Factory Service Warranty *

Teledyne Isco warrants covered products against failure due to faulty parts or workmanship for a period of one year (365 days) from their shipping date, or from the date of installation by an authorized Teledyne Isco Service Engineer, as may be appropriate.

During the warranty period, repairs, replacements, and labor shall be provided at no charge. Teledyne Isco's liability is strictly limited to repair and/or replacement, at Teledyne Isco's sole discretion.

Failure of expendable items (e.g., charts, ribbon, tubing, lamps, glassware, seals, filters, fittings, and wetted parts of valves), or from normal wear, accident, misuse, corrosion, or lack of proper maintenance, is not covered. Teledyne Isco assumes no liability for any consequential damages.

This warranty does not cover loss, damage, or defects resulting from transportation between the customer's facility and the repair facility.

Teledyne Isco specifically disclaims any warranty of merchantability or fitness for a particular purpose.

This warranty applies only to products sold under the Teledyne Isco trademark and is made in lieu of any other warranty, written or expressed.

No items may be returned for warranty service without a return authorization number issued from Teledyne Isco.

The warrantor is Teledyne Isco, Inc.
4700 Superior, Lincoln, NE 68504, U.S.A.

* This warranty applies to the USA and countries where Teledyne Isco Inc. does not have an authorized dealer. Customers in countries outside the USA, where Teledyne Isco has an authorized dealer, should contact their Teledyne Isco dealer for warranty service.

In the event of instrument problems, always contact the Teledyne Isco Service Department, as problems can often be diagnosed and corrected without requiring an on-site visit. In the U.S.A., contact Teledyne Isco Service at the numbers listed below. International customers should contact their local Teledyne Isco agent or Teledyne Isco International Customer Service.

Return Authorization

A return authorization number must be issued prior to shipping. Following authorization, Teledyne Isco will pay for surface transportation (excluding packing/crating) both ways for 30 days from the beginning of the warranty period. After 30 days, expense for warranty shipments will be the responsibility of the customer.

Shipping Address: Teledyne Isco, Inc. - Attention Repair Service
4700 Superior Street
Lincoln NE 68504 USA

Mailing address: Teledyne Isco, Inc.
PO Box 82531
Lincoln NE 68501 USA

Phone: Repair service: (800)775-2965 (lab instruments)
(800)228-4373 (samplers & flow meters)
Sales & General Information (800)228-4373 (USA & Canada)

Fax: (402) 465-3001

Email: iscoservice@teledyne.com **Web site:** www.isco.com



Free Manuals Download Website

<http://myh66.com>

<http://usermanuals.us>

<http://www.somanuals.com>

<http://www.4manuals.cc>

<http://www.manual-lib.com>

<http://www.404manual.com>

<http://www.luxmanual.com>

<http://aubethermostatmanual.com>

Golf course search by state

<http://golfingnear.com>

Email search by domain

<http://emailbydomain.com>

Auto manuals search

<http://auto.somanuals.com>

TV manuals search

<http://tv.somanuals.com>