

# Telenetics



## Installation, Operation & Diagnostics

for the

**MIU2.4**

**MIU9.6**

**MIU14.4**

**MIU28.8**

**Industrial Grade Dial Modems**

**Book 1 of 2**  
(See Book 2 for AT Commands)

Document No. 49-0002-001 Rev.A

# **Telenetics**

**Telenetics Corporation**  
26772 Vista Terrace Drive  
Lake Forest, California 92630  
(949)455-4000  
Fax (949)455-4010

Document No. 49-0002-001 Rev.A

## TABLE of CONTENTS

1. STANDARDS .....	Page 2
2. PRODUCT OVERVIEW .....	Page 3
3. GENERAL PRODUCT SPECIFICATIONS .....	Page 5
4. POWER MODES .....	Page 6
5. MODEM SPECIFICATIONS .....	Page 7
6. POWER CONNECTIONS .....	Page 8
7. SERIAL DATA PORT PIN-OUTS .....	Page 9
8. DIP SWITCHES .....	Page 10
9. LED INDICATOR .....	Page 11
10. AUTO RESET FEATURE .....	Page 11
11. AUTO DIAL FEATURE .....	Page 11
12. OUTLINE DRAWING & MOUNTING .....	Page 12
13. MODEM CONFIGURATION .....	Page 13
14. FACTORY CONFIGURATION .....	Page 14 - 17
15. DIAGNOSTICS .....	Page 18 – 28

---

## 1. STANDARDS

All Telenetics dial-up modems are designed to meet the following Standards:

USA:                   FCC Part 15, Class A and Part 68

Canada:               DOC Standards CS-01, CS-02 and CS-03

### **CANADIAN DEPARTMENT OF COMMUNICATION NOTICE**

NOTICE: The Canadian Department of Communications (DOC) label identifies certified equipment. This certification means that the equipment meets certain telecommunications network protective, operational and safety requirements. The department does not guarantee the equipment will operate to the user's satisfaction.

Before installing this equipment, make sure you are permitted to connect it to the facilities of the local telecommunications company. You must install the equipment using an acceptable method of connection. In some cases you may also extend the company's inside wiring for single line individual service by means of certified connector assembly (telephone extension cord). You should be aware, however, that compliance with the above conditions may not prevent degradation of service in some situations.

Repairs to certified equipment should be made by an authorized Canadian maintenance facility designed by the supplier. Any repairs or alterations made by a user to this equipment, or equipment malfunctions, may give the telephone communications company cause to request the user to disconnect the equipment.

For your own protection, make sure that the electrical ground connections of the power utility, telephone lines and internal metallic water pipe system, if present, are connected together. This precaution may be particularly important in rural areas.

Caution: Do not attempt to make electrical ground connections yourself, contact the appropriate electric inspection authority or an electrician.

NOTICE: The load number (LN) assigned to each terminal device denotes the percentage of the total load to the telephone loop used by the device, to prevent overloading. The termination on a loop may consist of any combination of devices, subject to the requirement that the total of the load numbers of all the devices does not exceed 100.

## 2. PRODUCT OVERVIEW

The **MIU2.4, MIU9.6, MIU14.4 & MIU28.8** are industrial grade dial modems for connection to the Public Switched Telephone Network.. They can be powered from a wide range of AC and DC power supplies, they are internally surge protected on both the power and analog lines, and they will operate in temperatures from -40 to +85 deg C.

Internally, each unit consists of a **baseboard** and a **communication module**. The **baseboard** includes the power supply regulation and surge protection. The **communication module** is a Telenetics™ **Pony Express™** Dial Modem Module.

The MIU is packaged specifically for the harsh environments found in utility substations and industrial facilities. Though functionally similar to commercial modems, the MIU includes special features that make it particularly well suited for utility and industrial applications:

**Environment:** The MIU has been designed specifically for use in harsh environments. In addition to an extended temperature range (-40 to +85° C), the MIU includes surge, shock, vibration, and safety features superior to those of conventional commercial modems.

**Power Supply:** The MIU can be powered from a broad range of AC and DC power supplies, such as an auxiliary supply (eg; 12VDC) from another piece of equipment, 125VDC from a station battery or a standard 120VAC.

**Low Power:** The MIU dial modem can be configured to enter into a “power down” mode. In this mode, an MIU will consume only a small fraction of its active power while waiting for either controller or telephone activity.

**Industrial:**

The MIU is packaged in a rugged, compact, non-metallic (ABS) enclosure. Designed for unmanned locations, the MIUs do not include the array of pushbuttons and LEDs normally associated with consumer-type modems. Configuration is by dip switches and/or software (“AT”) commands. Standard industrial connectors for data, analog and power interfaces allow reliable interconnection to other industrial components.

### 3. GENERAL PRODUCT SPECIFICATIONS

Dimensions: 5.3 x 4.0 x 1.375 inches  
Weight: 1 lb

Voltage Supply: Standard Model: 40 to 270VDC  
40 to 270VAC, 50/60Hz  
LV Model (Suffix “-LV”): 9 to 36VDC

Current Requirements: (See Section 4 for Power Down Modes)

#### MIU2.4:

<i>12VDC</i>	<i>24VDC</i>	<i>125VDC</i>	<i>120VAC</i>	<i>220VAC</i>
65mA	27mA	7.5mA	6.5mA	5.5mA

#### MIU9.6:

<i>12VDC</i>	<i>24VDC</i>	<i>125VDC</i>	<i>120VAC</i>	<i>220VAC</i>
115mA	57mA	11mA	10mA	9mA

#### MIU14.4:

<i>12VDC</i>	<i>24VDC</i>	<i>125VDC</i>	<i>120VAC</i>	<i>220VAC</i>
160mA	69mA	14mA	12mA	9mA

#### MIU28.8:

<i>12VDC</i>	<i>24VDC</i>	<i>125VDC</i>	<i>120VAC</i>	<i>220VAC</i>
205mA	125mA	16mA	15mA	11mA

Surge Protection: Power Supply: 8kVrms  
Analog Line: 5kVac (MIU2.4 & 9.6)  
3.75kVac (MIU14.4 & 28.8)  
Digital Line: ESD ± 10kV

Operating Temperature: -40 to +85 deg C  
Operating Humidity: 0 to 90% (non-condensing.)  
Storage Temperature: -55 to 100 deg C

## 4. POWER MODES

Mode	Description	Power Consumption
<b>Power On</b>	<b>Factory Setting:</b> Full power is always available to the modem.	See Section 3
<b>Sleep</b>	<p>If the modem is on hook for a predetermined period (PE2400 = 5 seconds; PE2496, PE14.4 &amp; PE28.8 = software configured: Set S24 to desired delay in seconds), it will drop to a low current mode).</p> <p>The modem will instantly “wake up” to full power by either an incoming ring signal or any transmit data (TxD) signal.</p>	Approx. 6mA
<b>Power Down</b>	<p>If the modem is on hook for 30 seconds, it will automatically turn “off”.</p> <p>The modem will automatically turn “on” to full power within 400ms of receiving a DTR signal or an incoming call.</p>	Approx. 20µA

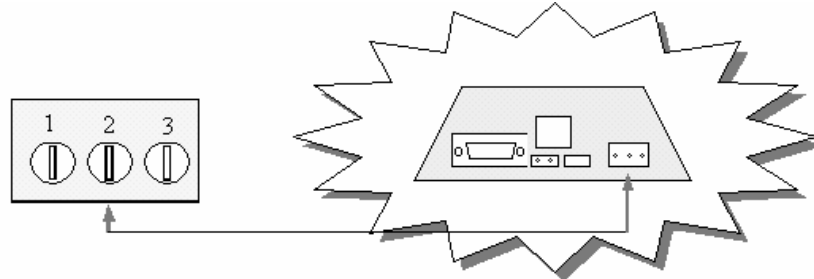
The power mode is set by a dip switch on the Pony Express Modem Module inside the MIU case. Factory default is Power On mode. Other modes are set at the factory before shipment if requested. Other modes can be set in the field ~ call Telenetics for an instruction sheet.



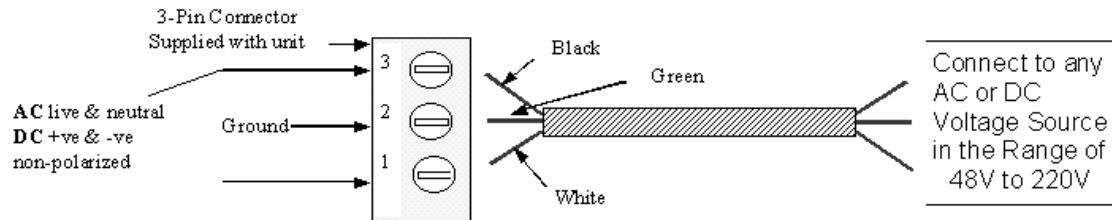
## 5. MODEM SPECIFICATIONS

	<b>MIU2.4</b>	<b>MIU9.6</b>	<b>MIU14.4</b>	<b>MIU28.8</b>
Standards	V.22bis V.22 Bell212A Bell 103	V.22bis V.22 Bell212A Bell 103	V.32bis V.32 V.22bis V.22 Bell212A Bell 103	V.34 V.32bis V.32 V.22bis V.22 Bell212A Bell 103
Modem Line Speed (Asynch)	2400bps 1200bps 300bps	2400bps 1200bps 300bps	14400bps 9600bps 4800bps 2400bps 1200bps 300bps	28800bps 19200bps 14400bps 9600bps 4800bps 2400bps 1200bps 300bps
DTE Rates above Modem Line Speeds	-	19200bps 9600bps 4800bps	57600bps 38400bps 19200bps	115200bps 57600bps 38400bps 19200bps
Error Correction & Data Compression	-	MNP 2,3,5 & 10 V.42 V.42bis	MNP 2,3,5 & 10 V.42 V.42bis	MNP 2,3,5 & 10 V.42 V.42bis

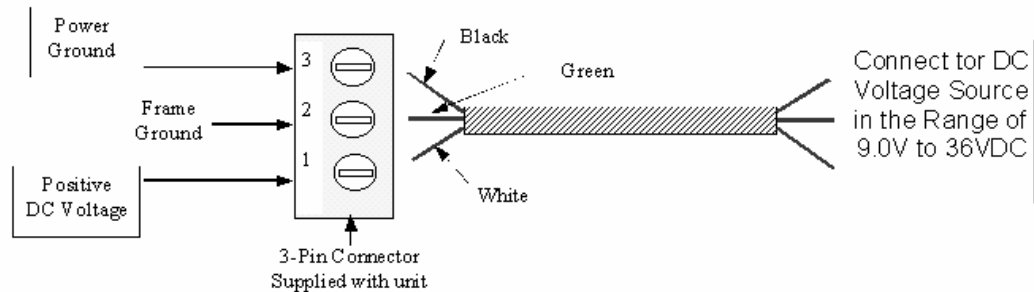
## 6. POWER CONNECTIONS



MIU2.4, MIU9.6, MIU9.6L, MIU14.4, MIU14.4L, MIU28.8, MIU202T, MIU9.6FP, MIU9.6FPD



MIU Models as above, but with suffix "-LV" (eg; MIU2.4-LV)



### IMPORTANT NOTES

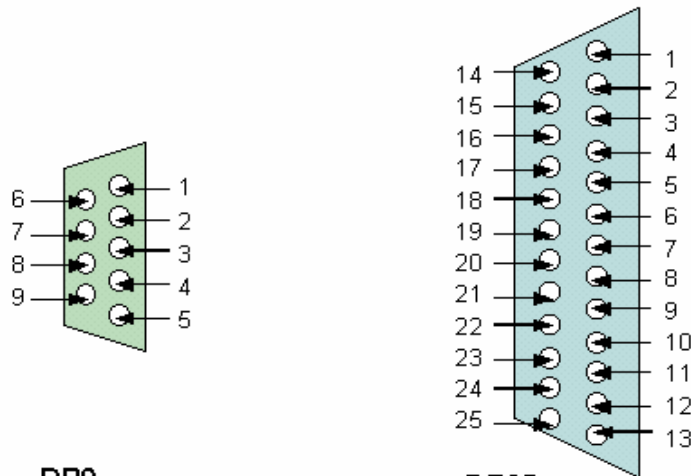
1. Wire colors shown are for optional Telenetics cable, if ordered.
2. Customer supplied cable must be suitable for site environmental conditions.
3. Surge protection only guaranteed if ground wire >18 AWG
4. Solidly earthed ground connection required to guarantee surge protection
5. Screw terminals accept 28 to 16 AWG.

drb | mydocs | miumanual | power connections | 03/19/98

## 7. SERIAL DATA PORT PIN-OUTS

RS232C is the most commonly used serial data interface and defines the Physical, Functional and Electrical boundaries between two or more communicating devices

~ D-SHAPED SERIAL PORT CONNECTORS ~  
are usually used to interconnect DTEs (computers, controllers, etc.) and DCEs (modems, converters, etc.)



DB9		DB25	
Pin	Signal	Pin	Source
1	CD - Carrier Detect	8	MODEM
2	RXD - Receive Data	3	MODEM
3	TXD - Transmit Data	2	TERMINAL
4	DTR - Data Term'l Ready	20	TERMINAL
5	Signal Ground	7	N/A
6	DSR - Data Set Ready	6	MODEM
7	RTS - Ready to Send	4	TERMINAL
8	CTS - Clear to Send	5	MODEM
9	RI - Ring Indication (Dial Modems Only)	22	MODEM

## 8. DIP SWITCH SETTINGS

Not Applicable

## 9. LED INDICATOR

The MIU has a single LED that will indicate the following conditions...

- ▶ Blinking: POWER ON
- ▶ Steady: MODEM CONNECTED (CARRIER DETECT)

## 10. AUTO RESET FEATURE

The dial-up modem modules inside your MIU include an “Auto Reset” feature: If the modem configuration is lost for any reason, it can be restored by dialing the modem and allowing it to ring 4 to 6 times.

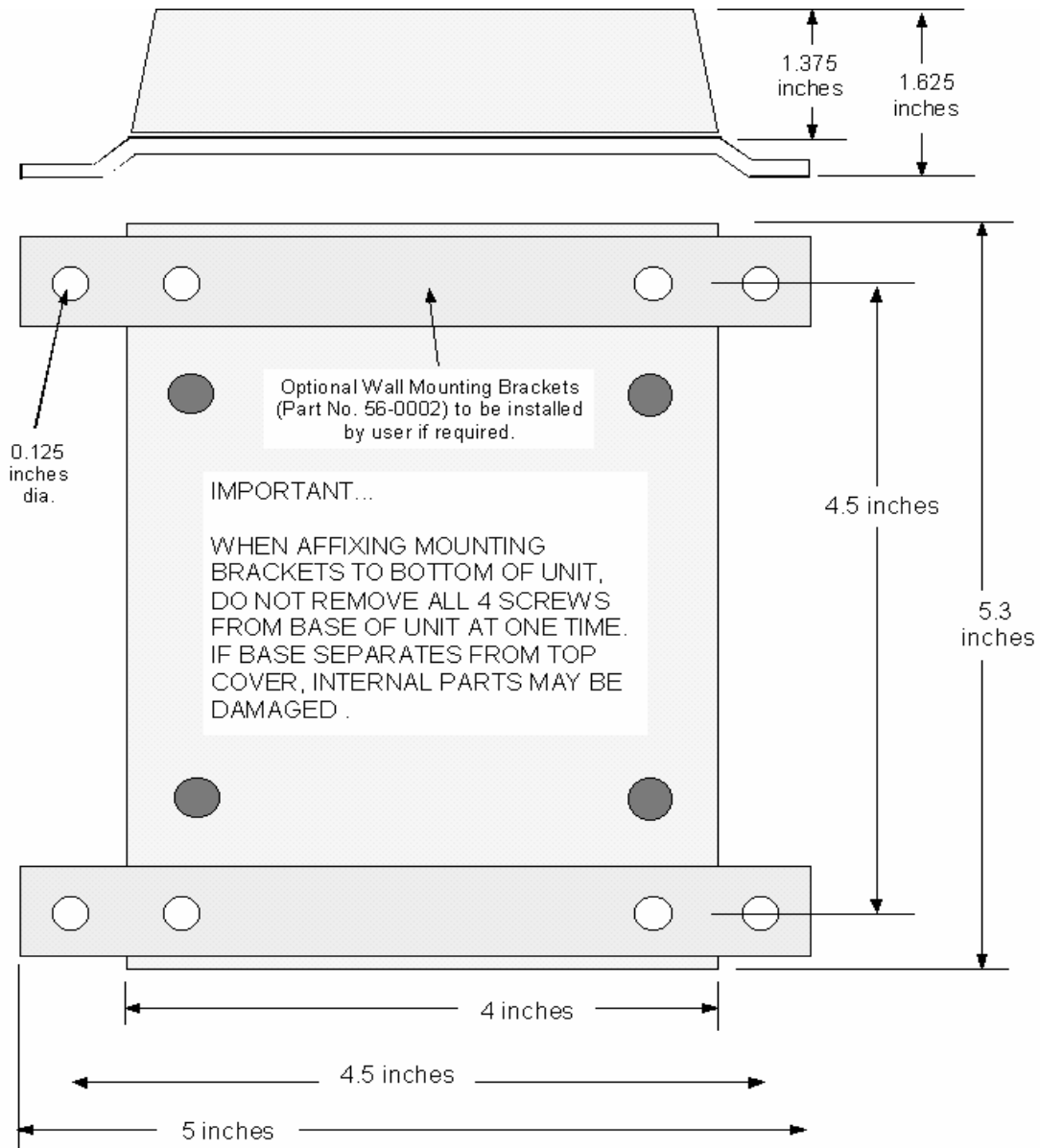
The Auto Reset feature is enabled and disabled by a dip switch on the modem module. Your MIU will have been shipped with the Auto Reset mode active, unless otherwise specified at the time of ordering. Please consult Telenetics if you wish to open up your MIU to disable Auto Reset.

## 11. AUTO DIAL FEATURE

The dial-up modem modules inside your MIU include a software configured “Auto Dial” feature: Command AT\D1 will enable Auto Dial: When DTR goes from an OFF to ON condition, and \D1 is set, the modem will auto dial the phone number stored in location & Z0 (up to 45 digits).

Command \D0 (default) will disable the Auto Dial feature.

## 12. OUTLINE DRAWING & MOUNTING



Telenetics Corporation 1995

drb | mydocs | manuals | miu mount 3/98

## 13. MODEM CONFIGURATION

Telenetics dial and leased line modems are based upon Rockwell chipsets. These chipsets contain Rockwell's "AT" command set.

A summary of the Rockwell command set for your MIU modem is provided in **Book 2**.

Unless otherwise specified at the time of order, your modem will have left the Telenetics factory in the configuration detailed on the following pages.

The Telenetics factory configuration differs from the Rockwell default configuration as follows...

&C0	Rockwell Default	Carrier Detect (CD) always ON.
&C1	Telenetics Factory	Carrier Detect (CD) only ON when modem connected (on hook)
S0=0	Rockwell Default	Auto-Answer OFF
S0=1	Telenetics Factory	Auto-Answer on first ring

You can review the configuration of your modem by entering AT&V  
<CR>.

You can restore the Rockwell factory configuration by entering  
AT&F&W

## 14. FACTORY CONFIGURATION ~ MIU2.4

### ACTIVE PROFILE:

B1 E1 L2 M1 Q0 V1 X4 Y0 &C1 &D0 &G0 &J0 &L0 &P0 &Q0  
&R0 &S0 &X0 &Y0 S00:001 S01:000 S02:043 S03:013 S04:010  
S05:008 S06:002 S07:030 S08:002 S09:006 S10:014 S12:050  
S14:AAH S16:00H S S18:000 S21:00H S22:76H S23:15H S25:005  
S26:001 S27:40H S28:00H

### STORED PROFILE 0:

B1 E1 L2 M1 Q0 V1 X4 Y0 &C1 &D0 &G0 &J0 &L0 &P0 &Q0  
&R0 &S0 &X0 S00:001 S14:AAH S18:000 S21:00H S22:76H  
S23:17H S25:005 S26:001 S27:40H S28:00H

### STORED PROFILE 1:

B1 E1 L2 M1 Q0 V1 X4 Y0 &C0 &D0 &G0 &J0 &L0 &P0 &Q0  
&R0 &S0 &X0 S00:000 S14:AAH S18:000 S21:00H S22:76H  
S23:17H S25:005 S26:001 S27:40H S28:00H

### TELEPHONE NUMBERS

&Z0=

&Z1=

&Z2=

&Z3=



## 14. FACTORY CONFIGURATION ~ MIU9.6

### ACTIVE PROFILE:

B1 E1 L1 M1 N1 Q0 T V1 W0 X4 Y0 &C1 &D2 &G0 &J0 &K3  
&Q5 &R1 &S0 &T5 &X0 &Y0 S00:001 S01:000 S02:043 S03:013  
S04:010 S05:008 S06:002 S07:050 S08:002 S09:006 S10:014  
S11:095 S12:050 S18:000 S25:005 S26:001 S36:007 S37:000  
S38:020 S44:020 S46:138 S48:007 S95:000

### STORED PROFILE 0:

B1 E1 L1 M1 N1 Q0 T V1 W0 X4 Y0 &C1 &D2 &G0 &J0 &K3  
&Q5 &R1 &S0 &T5 &X0 S00:001 S02:043 S06:002 S07:050  
S08:002 S09:006 S10:014 S11:095 S12:050 S18:000 S36:007  
S37:000 S40:168 S41:195 S46:138 S95:046

### STORED PROFILE 1:

B1 E1 L1 M1 N1 Q0 T V1 W0 X4 Y0 &C1 &D2 &G0 &J0 &K3  
&Q5 &R1 &S0 &T5 &X0 S00:001 S02:043 S06:002 S07:050  
S08:002 S09:006 S10:014 S11:095 S12:050 S18:000 S36:007  
S37:000 S40:168 S41:195 S46:138 S95:000

### TELEPHONE NUMBERS:

0= 1=  
2= 3=

## 14. FACTORY CONFIGURATION ~ MIU14.4

### ACTIVE PROFILE:

B1 E1 L1 M1 N1 Q0 T V1 W0 X4 Y0 &C1 &D2 &G0 &J0 &K3  
&Q5 &R1 &S0 &T5 &X0 &Y0 S00:001 S01:000 S02:043 S03:013  
S04:010 S05:008 S06:002 S07:050 S08:002 S09:006 S10:014  
S11:095 S12:050 S18:000 S25:005 S26:001 S36:007 S37:000  
S38:020 S44:020 S46:138 S48:007 S95:000

### STORED PROFILE 0:

B1 E1 L1 M1 N1 Q0 T V1 W0 X4 Y0 &C1 &D2 &G0 &J0 &K3  
&Q5 &R1 &S0 &T5 &X0 S00:001 S02:043 S06:002 S07:050  
S08:002 S09:006 S10:014 S11:095 S12:050 S18:000 S36:007  
S37:000 S40:168 S41:195 S46:138 S95:046

### STORED PROFILE 1:

B1 E1 L1 M1 N1 Q0 T V1 W0 X4 Y0 &C1 &D2 &G0 &J0 &K3  
&Q5 &R1 &S0 &T5 &X0 S00:001 S02:043 S06:002 S07:050  
S08:002 S09:006 S10:014 S11:095 S12:050 S18:000 S36:007  
S37:000 S40:168 S41:195 S46:138 S95:000

### TELEPHONE NUMBERS:

0=	1=
2=	3=

## 14. FACTORY CONFIGURATION ~ MIU28.8

### ACTIVE PROFILE:

B0 E1 L1 M1 N1 Q0 T V1 W0 X4 Y0 &C1 &D0 &G2 &J0 &K3  
&Q5 &R1 &S0 &T4 &X0 &Y0 S00:001 S01:000 S02:043 S03:013  
S04:010 S05:008 S06:002 S07:030 S08:002 S09:006 S10:014  
S11:255 S12:050 S18:000 S25:005 S26:001 S36:007 S37:000  
S38:020 S46:138 S48:007 S95:000

### STORED PROFILE 0:

B0 E1 L1 M1 N1 Q0 T V1 W0 X4 Y0 &C1 &D0 &G2 &J0 &K3  
&Q5 &R1 &S0 &T4 &X0 S00:001 S02:043 S06:002 S07:030  
S08:002 S09:006 S10:014 S11:095 S12:050 S18:000 S36:007  
S37:000 S40:105 S41:003 S46:138 S95:000

### STORED PROFILE 1:

B0 E1 L1 M1 N1 Q0 T V1 W0 X4 Y0 &C1 &D0 &G2 &J0 &K3  
&Q5 &R1 &S0 &T4 &X0 S00:001 S02:043 S06:002 S07:030  
S08:002 S09:006 S10:014 S11:095 S12:050 S18:000 S36:007  
S37:000 S40:105 S41:003 S46:138 S95:000

### TELEPHONE NUMBERS:

0= 1=  
2= 3=

## 15. DIAGNOSTICS

The following pages provide software and hardware techniques for diagnosing communication problems and thereby isolating the problem at either the local modem, the remote modem or the interconnecting line.

The following AT&Tn commands form part of the CCITT V.54 protocol and can be used for diagnostic testing.

Note: &Tn commands can only be used when the modem is configured for &Q0 <CR> (unbuffered/direct asynchronous mode).

**&T0 TERMINATE TEST IN PROGRESS**

If a V.54 loopback test is in progress as a result of executing an &Tn command, then the &T0 command will cause that test to be terminated, provided that the modem is in the command state or a V.54 state that accepts commands from the DTE. See specific &Tn command descriptions for termination actions.

**&T1 INITIATE LOCAL ANALOG LOOPBACK (See Figure 2)**

When the AT&T1 command is entered, the modem goes on hook and configures itself for analog loopback. DSR is turned off (if &S1 is in effect), the analog loopback state is entered, and the test timer is set to the value in S18. A connect result code is sent to the DTE, and the test timer then begins its count down. The test terminates when the test timer expires. If S18 equals 0, then the test must be terminated by an &T0, H0, or Z command. While any command may be entered while the modem is in this test state, the modem response is not specified except for H0, &T0 and Z, any of which will terminate the test. Upon termination of the test, the modem enters the command state.

<b>RESULT CODE</b>	<b>DESCRIPTION</b>
CONNECT	When local analog loopback state is entered.
ERROR	If any other &Tn test is active (except &T0) or if in the on-line command state.
OK	After test is stopped by test timer, the H0 command, or the &T0 command.

## **&T2 NO FUNCTION**

## **&T3 PERFORM LOCAL DIGITAL LOOPBACK (See Figure 3)**

The modem must be in the command state with connection established when this command is issued, otherwise an ERROR result code occurs.

The AT&T3 command establishes a loopback of received data, after demodulation, and sends it back to the distant end. The modem is configured for local digital loopback, DSR is turned off (if &S1 is in effect), the test timer is started with the value in S18, and an OK result code is sent to the DTE. If S18 contains a 0, the test must be terminated by a &T0, H0, or Z command. The latter two result in the modem going on hook. If S18 does not contain 0, the test is terminated after the number of seconds stored in S18.

<b>RESULT CODE</b>	<b>DESCRIPTION</b>
OK	After 2 second delay
ERROR	If any other self test is active (&T1, &T6, &T7 or &T8) or if in idle state. When test is terminated.

## **&T4 GRANT REMOTE DIGITAL LOOPBACK (RDL) REQUESTS**

When in the on-line state, the modem will honor a remote digital loopback request from a distant modem if it occurs. This will result in an ERROR if the command is given while any V.54 test is active (&T1, &T3, &T6, &T7 or &T8).

NOTE: There are data patterns that may cause a Remote Digital Loopback conditions. Care should be given to the type of data being received so that no RDL modes will be initiated.

## **&T5 DENY RDL REQUESTS**

The modem will not respond to a remote digital loopback request from a distant modem. This will result in an error if the command is given while any V.54 test is active (&T1, &T3, &T6, &T7 or &T8).

## **&T6 INITIATE REMOTE DIGITAL LOOPBACK (See Figure 4)**

The command is valid only if the modem is in the command state with a connection established.

Configure the modem under test with an AT&T4 command so that it will honor a remote digital loopback request.

Enter AT&T6 at the local modem and it will send a remote digital loopback request to the remote modem. After the RDL acknowledgement signal is received from the remote modem, DSR is turned off (if &S1 is in effect), the on-line state is entered, a CONNECT result code is sent to the DTE, and the test timer is set to the value in S18.

If the local modem does not receive the RDL acknowledgment signal from the remote end in three seconds, it sends an ERROR result code to the DTE and returns to the command state. The local modem sends the signal to release the remote digital loopback when the test is terminated.

The test may be terminated by the H0, Z, or &T0 command. The test will also terminate when the test timer expires (sending the modem to the command state) or carrier is lost (causing a NO CARRIER result code and the modem to go on hook in the command state).

<b>RESULT CODE</b>	<b>DESCRIPTION</b>
CONNECT	When on-line state is entered.
ERROR	If any V.54 test is active (&T1, &T3, &T6-&T8).
ERROR	If not in on-line command state.
ERROR	If the RDL signal is not acknowledged.

---

## **&T7 INITIATE RDL WITH LOCAL SELF TEST (See Figure 5)**

This is a system test, end to end.

The command is valid only if the modems are in the command state with a connection established.

Configure the remote modem with an AT&T4 command so that it will honor a remote digital loopback request.

Enter AT&T7 at the local modem and it will send a digital loopback request to the remote modem. After the RDL acknowledgment signal is received from the remote modem, DSR is turned off (if &S1 is in effect), the on-line state is entered, an OK result code is sent to the DTE, and the test timer is set to the value in S18. While the test is active, the local modem sends a test message to the remote modem and counts the errors in the received (looped back) signal. The modems stay in the command state during the test. When the test is terminated (except by a loss of carrier), the local modem sends the release signal to the remote modem, as in &T6, and reports the three-digit error count to the DTE.

The information text is followed by an OK result code. The test is terminated by loss of carrier, or an H0, &T0, or Z command, and by the S18 timer running out.

### **RESULT CODES**

### **DESCRIPTION**

OK	When command executed is started.
OK	After error count is sent to DTE (&T1, &T3, &T6, &T7 or &T8).
ERROR	If not in on-line command state.
ERROR	If the RDL signal is not acknowledged.



## **&T8 LOCAL LOOPBACK WITH SELF TEST (See Figure 6)**

The modem should be on hook. Enter AT&T8 to configure the modem for analog loopback and self test. The test timer is started at the time indicated by S18, DSR is turned off (if &S1 is in effect). A self test condition is entered, and an OK result code is sent to the DTE. During the test the modem sends a test message and counts errors in the looped back signal. The test is terminated when the timer times out (S18) or the &T0, H0, or Z command is issued. When the test is terminated, the three digit error count is sent to the DTE. An OK result code follows the error count.

<b>RESULT CODE</b>	<b>DESCRIPTION</b>
OK	If a test state is entered.
OK	After error count is sent to DTE
ERROR	If any other V.54 test is active (&T1, &T3, &T6, &T7), or if on-line.

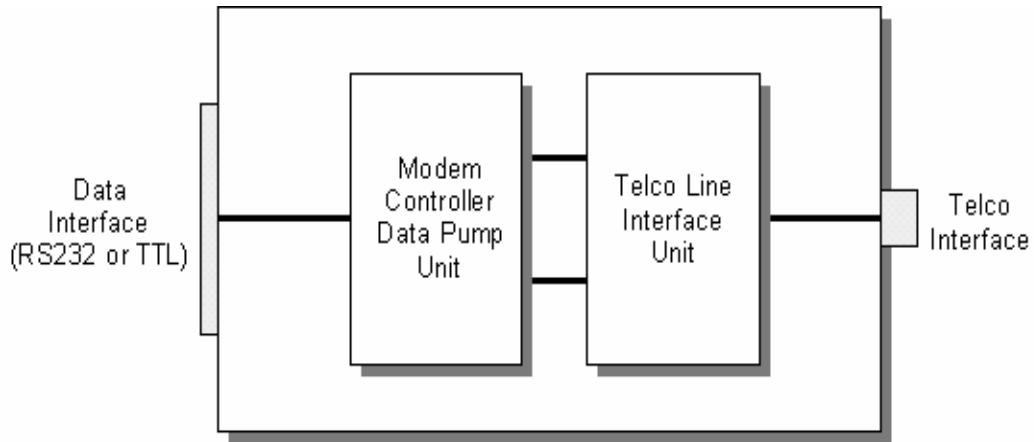


Figure 1 TYPICAL MODEM CONFIGURATION

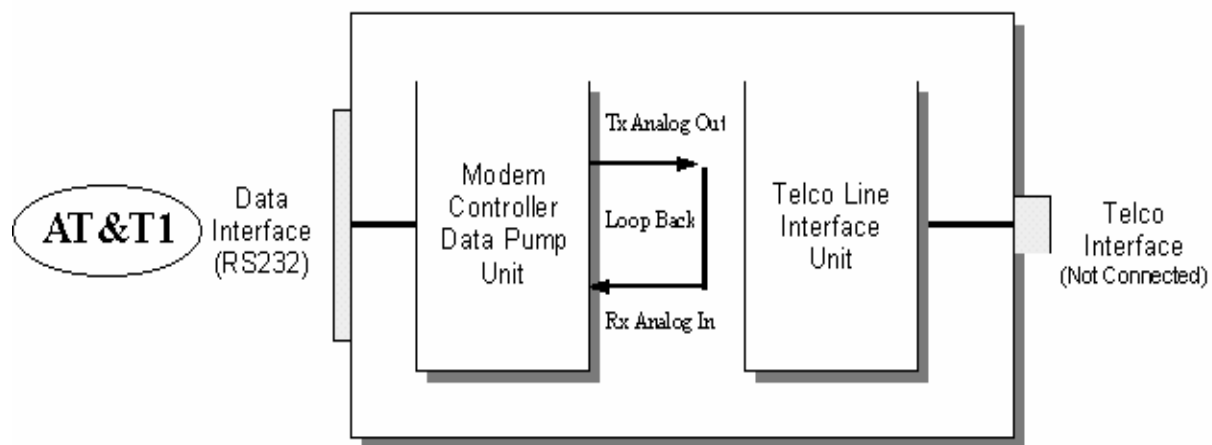


Figure 2 INITIATE LOCAL ANALOG LOOPBACK

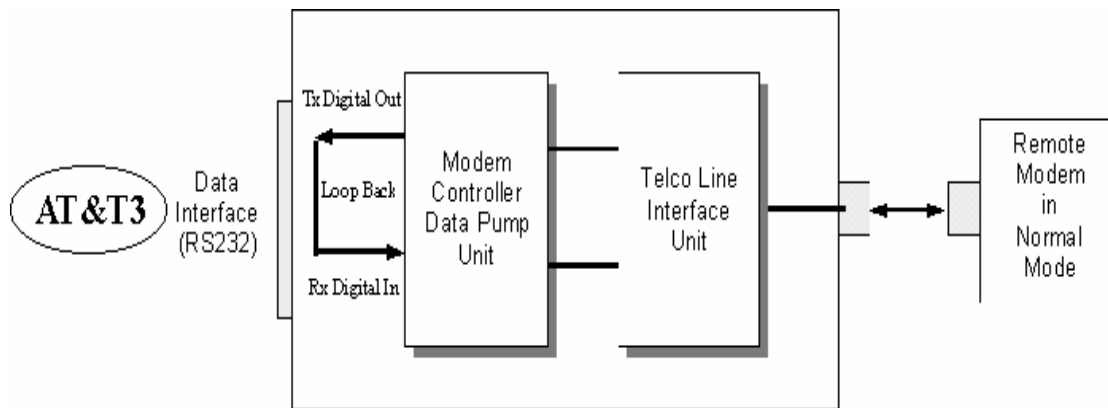


Figure 3 PERFORM LOCAL DIGITAL LOOPBACK

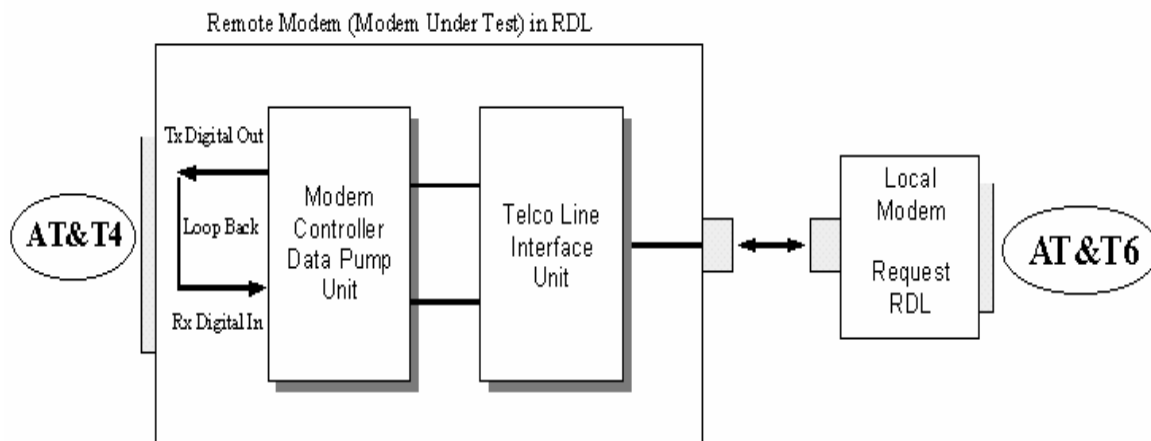


Figure 4 INITIATE REMOTE DIGITAL LOOPBACK

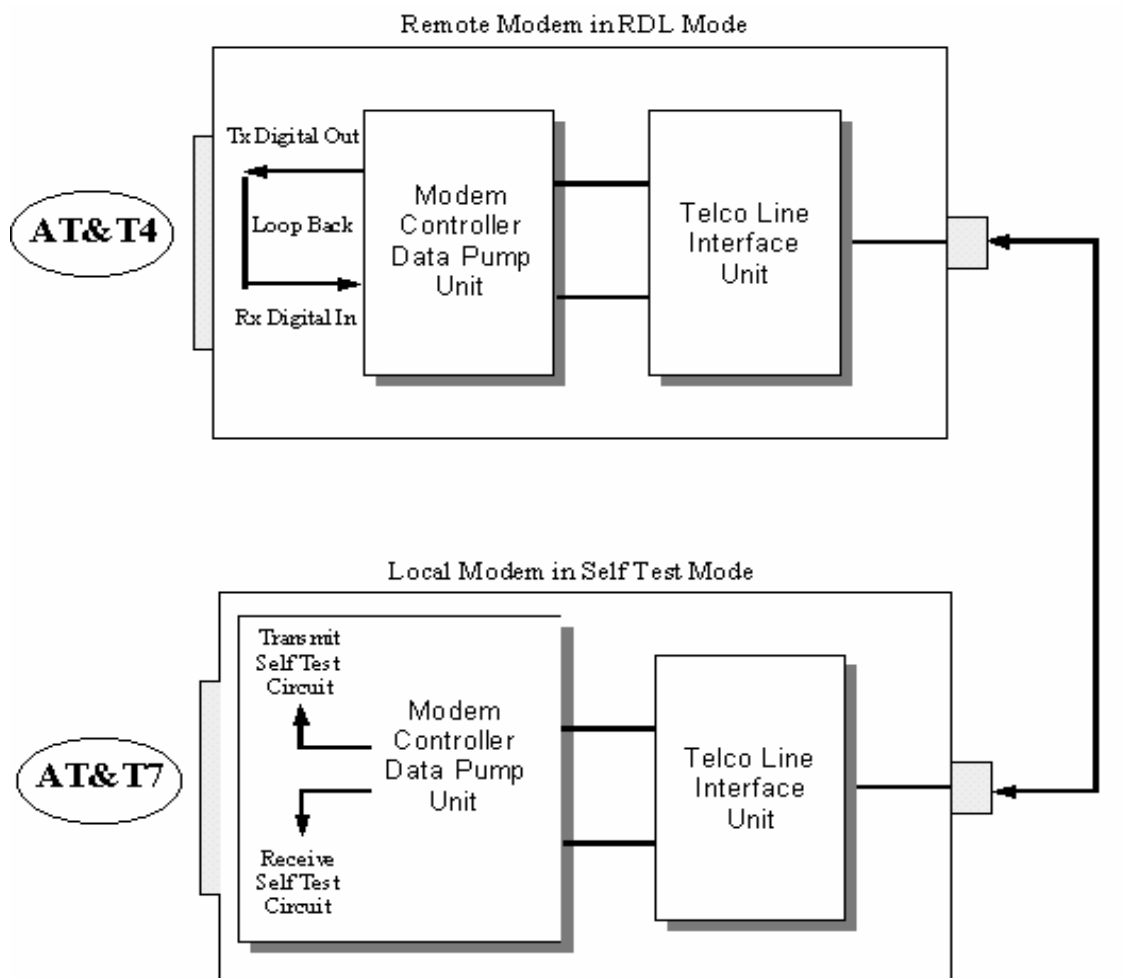


Figure 5 REMOTE DIGITAL LOOPBACK WITH LOCAL SELF TEST

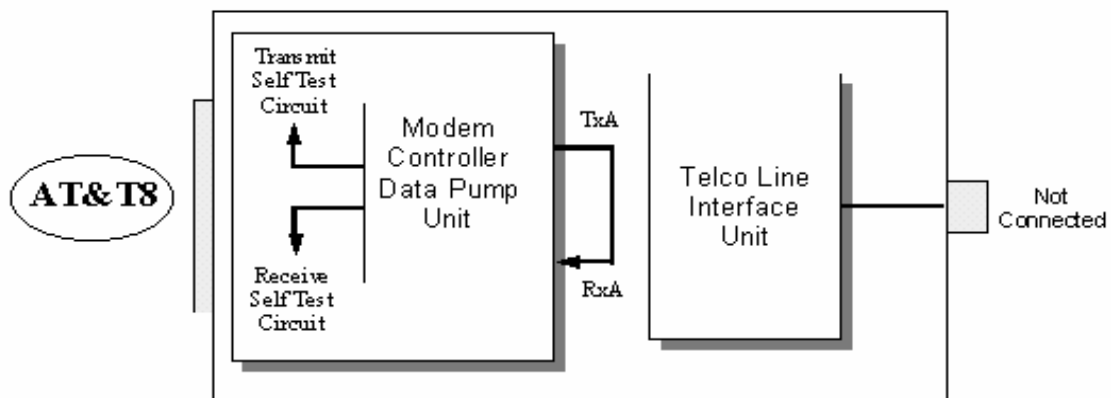


Figure 6 LOCAL ANALOG LOOPBACK WITH SELF TEST

## ADDITIONAL TEST / DIAGNOSTICS COMMANDS...

### **%L RECEIVED SIGNAL LEVEL**

Returns a value (-dBm) which indicates the received signal level at modem DATA PUMP interface. This value is determined by the loss/gain of modem Telco Interface circuit  $\pm$ dB at the Tip/Ring input to the modem. Typical value should be -25dBm to -35dBm for most Telco connections.

### **%Q RECEIVED LINE SIGNAL QUALITY**

Reports the line signal quality at the modem DATA PUMP interface. This signal is also dependent on the DAA circuit (Telco Interface). Returns the higher order byte of the EQM (Eye Quality Monitor is the filter squared magnitude of the error vector). Typical value should be below 10. The lower the number, the better the performance from the modem.

ERROR response if NO connection to remote modem.

In &T1, modem %Q will be 0.

### **S86 CONNECTION FAILURE CAUSE**

S86 can help determine the cause of a connection failure. When the modem issues a NO CARRIER result code, a value is written to this register. To read this register, following the connection failure, issue `ATS86? <CR>`. The modem will report one of the following values...

- 0 Normal hang up; no error occurred.
- 4 Physical carrier loss. (Loss of Carrier)
- 5 Feature negotiation failed to detect presence of another V.42 error-control modem at other end.
- 6 Other error-control modem did not respond to feature negotiation message sent by this modem.
- 7 Other modem is synchronous-only; this modem is asynchronous-only.
- 8 Modems could not find a common framing technique.
- 9 Modems could not find a protocol in common.
- 10 Feature negotiation message sent by other modem incorrect.
- 11 Synchronous information (data of flags) not received from other modem.
- 12 Normal disconnect initiated by other modem.
- 13 Other modem did not respond after many transmissions of the same message. Modem made 10 attempts then hung up.
- 14 Protocol violation occurred.
- 15 Compression failure.

Note: Multiple occurrences may contribute to a NO CARRIER message; S86 records the first event that occurred.

NOTES:

## Free Manuals Download Website

<http://myh66.com>

<http://usermanuals.us>

<http://www.somanuals.com>

<http://www.4manuals.cc>

<http://www.manual-lib.com>

<http://www.404manual.com>

<http://www.luxmanual.com>

<http://aubethermostatmanual.com>

Golf course search by state

<http://golfingnear.com>

Email search by domain

<http://emailbydomain.com>

Auto manuals search

<http://auto.somanuals.com>

TV manuals search

<http://tv.somanuals.com>