



## HR-2

### Dual-Sided Headset with Flexible Dynamic Boom Mic

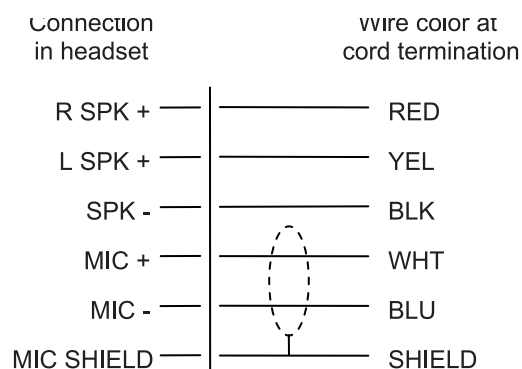
The HR-2 is a dual-sided, medium-weight passive noise reduction headset with a dynamic noise-canceling microphone. The headset has a noise reduction rating of 21 dB; suitable for use in a moderately noisy environment. The HR-2 features our unique, soft moleskin covered headband for all day comfort. Our ergonomic headset design distributes ear cushion pressure evenly over the entire ear with no pressure points, unlike conventional headsets, which apply more pressure on the bottom of the ear than the top. An added advantage of this headset design is that it folds into compact form for ease of transport and storage. Available with 4- or 5-pin XLR connectors (male or female), or pigtail termination.

## Features

**Boom Microphone**

**Headband Pressure Adjustments**

## Wiring Diagram



# HR-2 Specifications

## Connector Termination

HR-2: XLR 4-pin Female  
HR-2A5: XLR 5-pin Female  
HR-2PT: Stripped Wire  
HR-2R: XLR 4-pin Male  
HR-2R5: XLR 5-pin Male

## Type

HR-2: Dual Sided Monaural  
HR-2A5: Dual Sided Stereo  
HR-2PT: Dual Sided  
HR-2R: Dual Sided Monaural  
HR-2R5: Dual Sided Stereo

## Mic Type

Dynamic Noise-Canceling

## Mic Sensitivity

-65dBV/Pa @1cm

## Mic Frequency Range

150Hz - 8kHz

## Mic Impedance

200Ω

## Speaker Sensitivity

95dB SPL @1kHz, 1mW

## Speaker Frequency Range

100Hz - 3kHz

## Speaker Impedance

HR-2: 150Ω  
HR-2A5: 300Ω per side  
HR-2PT: 300Ω per side  
HR-2R: 150Ω  
HR-2R5: 300Ω per side

## Weight

15oz. (not including cord)

## Cord Length

5 ft.

## Color

Black

## Ordering Information

### HR-2

Dual-Sided Headset with Flexible Dynamic Boom Mic & A4F Connector  
Catalog Number: 300534-000

### HR-2A5

Dual-Sided Headset with Flexible Dynamic Boom Mic & A5F Connector  
Catalog Number: 300534-010

### HR-2PT

Dual-Sided Headset with Flexible Dynamic Boom Mic & Pigtail Termination  
Catalog Number: 300534-003

### HR-2R

Dual-Sided Headset with Flexible Dynamic Boom Mic & A4M Connector  
Catalog Number: 300534-001

### HR-2R5

Dual-Sided Headset with Flexible Dynamic Boom Mic & A5M Connector  
Catalog Number: 300534-002

This specifications information is preliminary and is subject to change without notification.

Brand names mentioned are the property of their respective companies.

## Contact Information

Telex Communications, Inc.  
12000 Portland Avenue South  
Burnsville, Minnesota 55337  
Telephone: 877-863-4169  
Fax: (800) 323-0498

Form Number: LIT000201000 Rev A

Date: December, 2007

## Free Manuals Download Website

<http://myh66.com>

<http://usermanuals.us>

<http://www.somanuals.com>

<http://www.4manuals.cc>

<http://www.manual-lib.com>

<http://www.404manual.com>

<http://www.luxmanual.com>

<http://aubethermostatmanual.com>

Golf course search by state

<http://golfingnear.com>

Email search by domain

<http://emailbydomain.com>

Auto manuals search

<http://auto.somanuals.com>

TV manuals search

<http://tv.somanuals.com>