



## PH-100

### Single-Sided Headset with Flexible Dynamic Boom Mic

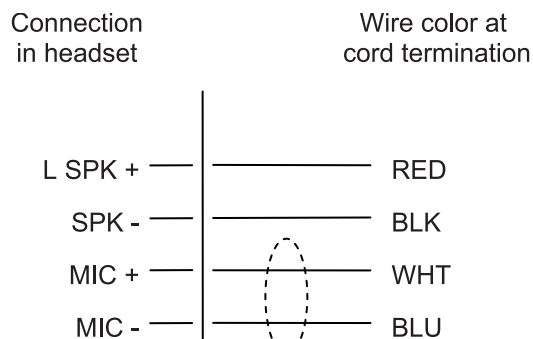
The PH-100 is a premium medium-weight noise reduction headset with dynamic microphone. The PH-100 features a unique, comfortable headband design that distributes pressure evenly. This headset comes with high quality moleskin cushions and offers a 21 dB noise reduction rating. The PH-100 is portable and able to fold into an extremely compact shape. Available in 4- or 5-pin XLR connectors (male or female) and pigtail termination.

## Features

**Boom Microphone**

**Headband Pressure Adjustments**

## Wiring Diagram



# PH-100 Specifications

## Connector Termination

PH-100: XLR 4-pin Female  
PH-100A5: XLR 5-pin Female  
PH-100PT: Stripped Wire  
PH-100R: XLR 4-pin Male  
PH-100R5: XLR 5-pin Male

## Type

Single Sided

## Mic Type

Dynamic Noise-Canceling

## Mic Sensitivity

-65dBV/Pa @1cm

## Mic Frequency Range

150Hz - 8kHz

## Mic Impedance

200Ω

## Speaker Sensitivity

97dB SPL @1kHz, 1mW

## Speaker Frequency Range

500Hz - 4kHz

## Speaker Impedance

300Ω

## Weight

16oz. (not including cord)

## Cord Length

6 ft.

## Contact Information

Telex Communications, Inc.  
12000 Portland Avenue South  
Burnsville, Minnesota 55337  
Telephone: 877-863-4169  
Fax: (800) 323-0498

Form Number: 38110-358 Rev B

Date: December, 2007

## Ordering Information

### PH-100

Single-Sided Headset with Flexible Dynamic Boom  
Mic & A4F Connector  
Catalog Number: 301581-007

### PH-100A5

Single-Sided Headset with Flexible Dynamic Boom  
Mic & A5F Connector  
Catalog Number: 301581-009

### PH-100PT

Single-Sided Headset with Flexible Dynamic Boom  
Mic, & Pigtail Termination  
Catalog Number: 301581-011

### PH-100R

Single-Sided Headset with Flexible Dynamic Boom  
Mic & A4M Connector  
Catalog Number: 301581-008

### PH-100R5

Single-Sided Headset with Flexible Dynamic Boom  
Mic & A5M Connector  
Catalog Number: 307581-010

This specifications information is preliminary and is subject to change without notification.

Brand names mentioned are the property of their respective companies.

## Free Manuals Download Website

<http://myh66.com>

<http://usermanuals.us>

<http://www.somanuals.com>

<http://www.4manuals.cc>

<http://www.manual-lib.com>

<http://www.404manual.com>

<http://www.luxmanual.com>

<http://aubethermostatmanual.com>

Golf course search by state

<http://golfingnear.com>

Email search by domain

<http://emailbydomain.com>

Auto manuals search

<http://auto.somanuals.com>

TV manuals search

<http://tv.somanuals.com>