

GE863-PRO³ Hardware User Guide

1vv0300773a Rev. 0 - 24/01/08



Making machines talk.

- 7.2 RS232 level translation..... 41
- 8 Audio Section Overview 44**
- 8.1 INPUT LINES (Microphone) 45
 - 8.1.1 Short description 45
 - 8.1.2 Input Lines Characteristics 46
- 8.2 OUTPUT LINES (Speaker)..... 47
 - 8.2.1 Short description 47
 - 8.2.2 Output Lines Characteristics..... 48
- 9 The Evaluation Kit for Telit GE863-PRO³ Modules 49**
- 9.1.1 Short Description 49
- 10 GSM/GPRS General Purpose I/O..... 50**
- 10.1 Using a GPIO Pad as INPUT 51
- 10.2 Using a GPIO Pad as OUTPUT 51
- 10.3 Using the RF Transmission Control GPIO7 51
- 10.4 Using the RFTXMON Output GPIO3 51
- 10.5 Using the Alarm Output 52
- 10.6 Using the Buzzer Output GPIO4 52
- 10.7 Indication of network service availability..... 53
- 10.8 RTC Bypass out 54
- 10.9 VAUX1 power output 54
- 11 Mounting the GE863-PRO³ on the Application Board 55**
- 11.1 General..... 55
 - 11.1.1 Stencil 55
 - 11.1.2 PCB pad Design 55
 - 11.1.3 Solder paste..... 56
 - 11.1.4 GE863-PRO³ Solder Reflow 57
 - 11.1.5 Packing System 59
 - 11.1.6 Moisture Sensibility 61
- 12 Conformity Assessment Issues 62**
- 13 SAFETY RECOMMANDATIONS..... 63**
- 14 Document Change Log 64**



1 Overview

The scope of this document is the description of some hardware solutions useful for developing a product with the **Telit GE863-PRO³ module**.

In this document all the basic functions of a M2M device will be taken into account; for each one of them a proper hardware solution will be suggested and eventually the wrong solutions and common errors to be avoided will be evidenced. Obviously this document cannot embrace the whole hardware solutions and products that may be designed. The wrong solutions to be avoided shall be considered as mandatory, while the suggested hardware configurations shall not be considered mandatory, instead the information given shall be used as a guide and a starting point for properly developing your product with the **Telit GE863-PRO³ module**. For further hardware details that may not be explained in this document refer to the **Telit GE863-PRO³ Product Description document**.

NOTICE

(EN) The integration of the GSM/GPRS GE863-PRO³ cellular module within user application shall be done according to the design rules described in this manual.

(IT) L'integrazione del modulo cellulare GSM/GPRS GE863-PRO³ all'interno dell'applicazione dell'utente dovrà rispettare le indicazioni progettuali descritte in questo manuale.

(DE) Die integration des GE863-PRO³ GSM/GPRS Mobilfunk-Moduls in ein Gerät muß gemäß der in diesem Dokument beschriebenen Konstruktionsregeln erfolgen

(SL) Integracija GSM/GPRS GE863-PRO³ modula v uporabniški aplikaciji bo morala upoštevati projektna navodila, opisana v tem piročniku.

(SP) La utilización del modulo GSM/GPRS GE863-PRO³ debe ser conforme a los usos para los cuales ha sido diseñado descritos en este manual del usuario.

(FR) L'intégration du module cellulaire GSM/GPRS GE863-PRO³ dans l'application de l'utilisateur sera faite selon les règles de conception décrites dans ce manuel.

(HE) האינטגרטור מתבקש ליישם את ההנחיות המפורטות במסמך זה בתהליך האינטגרציה של המודם הסלולרי GE863-PRO³ עם המוצר.

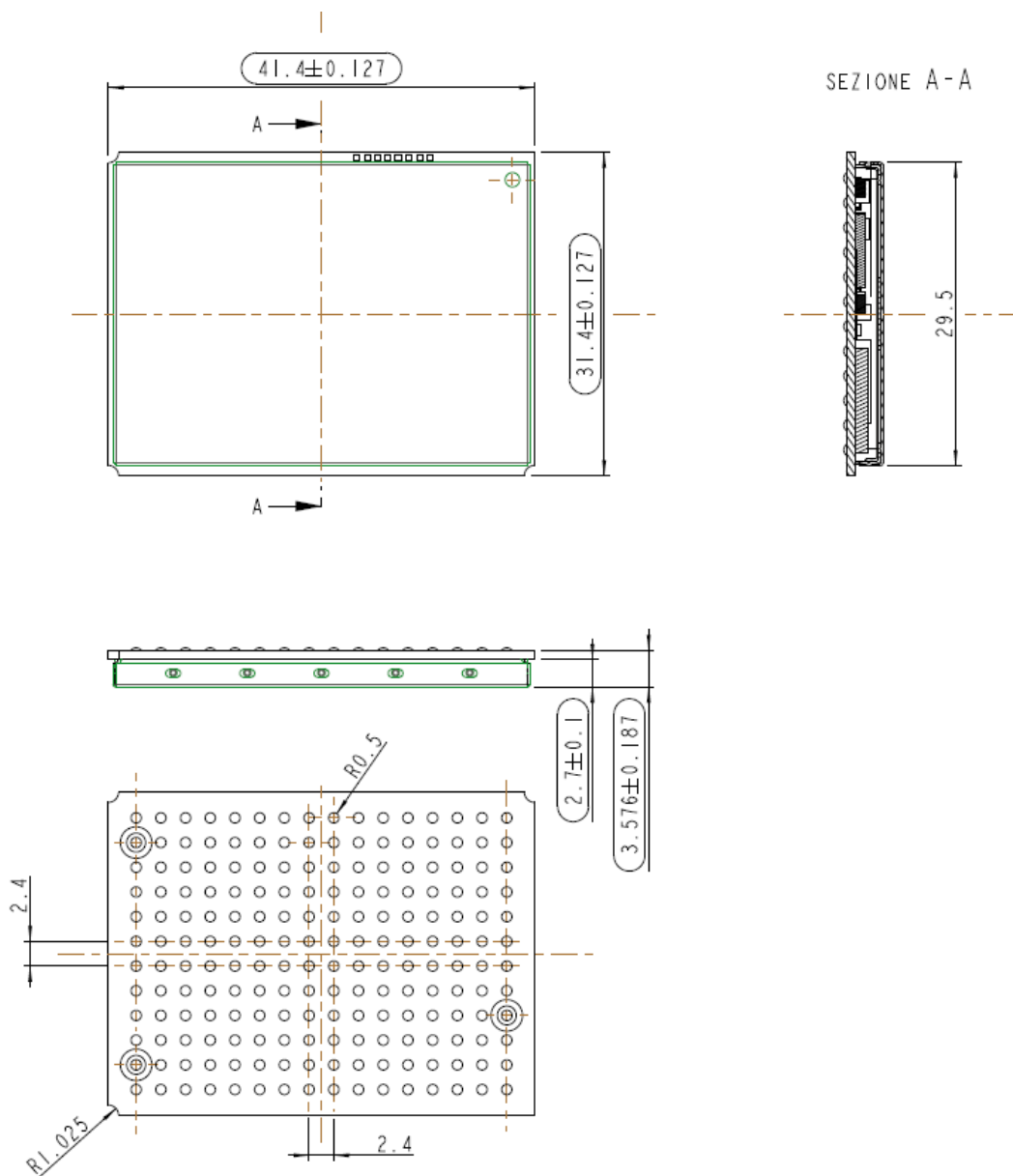
The information presented in this document is believed to be accurate and reliable. However, no responsibility is assumed by Telit Communications S.p.A. for its use, nor any infringement of patents or other rights of third parties which may result from its use. No license is granted by implication or otherwise under any patent rights of Telit Communications S.p.A. other than for circuitry embodied in Telit products. This document is subject to change without notice.



2 GE863-PRO³ Mechanical Dimensions

The **Telit GE863-PRO³ module** overall dimension are:

- **Length: 41,4 mm**
- **Width: 31,4 mm**
- **Thickness: 3,6 mm**



GE863-PRO³ Hardware User Guide

1v0300773a Rev. 0 - 24/01/08

Ball	Signal	I/O	Main Function	Internal Pull up	ARM/ GSM	Type
C2	VBATT	-	Main GSM power supply		GSM	Power
C3	VRTC	AO	VRTC Backup capacitor		GSM-ARM	Power
C4	C125/RING	O	Output for Ring indicator signal (RI) to DTE		GSM	CMOS 2.8V
C5	C107/DSR	O	Output for Data set ready signal (DSR) to DTE		GSM	CMOS 2.8V
C6	C108/DTR	I	Input for Data terminal ready signal (DTR) from DTE		GSM	CMOS 2.8V
C7	C109/DCD	O	Output for Data carrier detect signal (DCD) to DTE		GSM	CMOS 2.8V
C8	C105/RTS	I	Input for Request to send signal (RTS) from DTE		GSM	CMOS 2.8V
C9	C106/CTS	O	Output for Clear to send signal (CTS) to DTE		GSM	CMOS 2.8V
C10	GPIO7/ RFTXDISABLE	I/O	GPIO7 / RFTXDISABLE		GSM	CMOS 2.8V
C11	SIMRST	O	External SIM signal – Reset		GSM	1.8/3V ONLY
C12	SIMIO	I/O	External SIM signal - Data I/O		GSM	1.8/3V ONLY
D1	CHARGE	AI	Charger input		GSM	Power
D2	VAUX1	-	Power output for external accessories		GSM	-
D3	RESERVED	-	RESERVED (3)	-	-	-
D4	PB25	I/O	ARM PIO Controller B pin 25		ARM	CMOS 3.1V
D5	PB22	I/O	ARM PIO Controller B pin 22		ARM	CMOS 3.1V
D6	PB24	I/O	ARM PIO Controller B pin 24		ARM	CMOS 3.1V
D7	PB23	I/O	ARM PIO Controller B pin 23		ARM	CMOS 3.1V
D8	PB26	I/O	ARM PIO Controller B pin 26		ARM	CMOS 3.1V
D9	PB27	I/O	ARM PIO Controller B pin 27		ARM	CMOS 3.1V
D10	GND	-	Ground	-	-	Power
D11	SIMVCC	-	External SIM signal – Power (2)		GSM	1.8/3V ONLY
D12	SIMCLK	O	External SIM signal – Clock		GSM	1.8/3V ONLY
E1	GND	-	Ground	-	-	Power
E2	PWRMON	O	Power ON Monitor		GSM	CMOS 2.8V
E3	RESERVED	-	RESERVED (3)	-	-	-
E4	ON/OFF*-GSM	I	Input command for switching power ON or OFF to GSM/GPRS Engine (toggle command).	47K Ω	GSM	Pull up to VBATT
E5	RESET*-GSM	I	GSM/GPRS Engine Reset input		GSM	
E6	GPIO1 / JDR	I/O	GPIO1 Configurable general purpose I/O pin / Jammer Detect Output (2)		GSM	CMOS 2.8V
E7	GPIO5	I/O	GPIO5 Configurable general purpose I/O pin		GSM	CMOS 2.8V
E8	GPIO3 / RFTXMON	I/O	GPIO3 Configurable general purpose I/O pin /		GSM	CMOS 2.8V
E9	C103/TXD	I	Serial data input (TXD) from DTE		GSM	CMOS 2.8V



GE863-PRO³ Hardware User Guide

1v0300773a Rev. 0 - 24/01/08

Ball	Signal	I/O	Main Function	Internal Pull up	ARM/ GSM	Type
E10	C104/RXD	O	Serial data output to DTE		GSM	CMOS 2.8V
E11	PB8	I/O	ARM PIO Controller B pin 8		ARM	CMOS 3.1V
E12	PB9	I/O	ARM PIO Controller B pin 9		ARM	CMOS 3.1V
F1	PB13	I/O	ARM PIO Controller B pin 13		ARM	CMOS 3.1V
F2	PC30	I/O	ARM PIO Controller C pin 30		ARM	CMOS 1.8V-A
F3	PC21	I/O	ARM PIO Controller C pin 21		ARM	CMOS 1.8V-A
F4	PC28	I/O	ARM PIO Controller C pin 28		ARM	CMOS 1.8V-A
F5	PC29	I/O	ARM PIO Controller C pin 29		ARM	CMOS 1.8V-A
F6	NRST	I	RESET ARM	1 K Ω	ARM	CMOS 3.1V
F7	ON/OFF*-AP	I	Input command for turning power ON or OFF to ARM Engine (active high command).	47K Ω	ARM	Pull up to VBATT2
F8	SHDN	O	Shutdown Control Output		ARM	CMOS VRTC
F9	PB4	I/O	ARM PIO Controller B pin 4		ARM	CMOS 3.1V
F10	PB5	I/O	ARM PIO Controller B pin 5		ARM	CMOS 3.1V
F11	PC8	I/O	ARM PIO Controller C pin 8		ARM	CMOS 1.8V-A
F12	PC10	I/O	ARM PIO Controller C pin 10		ARM	CMOS 1.8V-A
G1	PB12	I/O	ARM PIO Controller B pin 12		ARM	CMOS 3.1V
G2	RESERVED	-	RESERVED (3)	-	-	-
G3	PC31	I/O	ARM PIO Controller C pin 31		ARM	CMOS 1.8V-A
G4	GPIO2 / PCMCLK	I/O	GPIO2 Configurable general purpose I/O pin	4.7K Ω	GSM	CMOS 2.8V
G5	GPIO8 / PCMWAO	I/O	GPIO8 Configurable general purpose I/O pin		GSM	CMOS 2.8V
G6	GPIO6 / PCMTX	I/O	GPIO6 Configurable general purpose I/O pin		GSM	CMOS 2.8V
G7	GPIO9 – PCMRX	I/O	GPIO9 Configurable general purpose I/O pin		GSM	CMOS 2.8V
G8	RESERVED	-	RESERVED (3)	-	-	-
G9	PA5	I/O	ARM PIO Controller A pin 5		ARM	CMOS 3.1V
G10	PA4	I/O	ARM PIO Controller A pin 4		ARM	CMOS 3.1V
G11	PB10	I/O	ARM PIO Controller B pin 10		ARM	CMOS 3.1V
G12	PB11	I/O	ARM PIO Controller B pin 11		ARM	CMOS 3.1V
H1	PB6	I/O	ARM PIO Controller B pin 6		ARM	CMOS 3.1V
H2	PB29	I/O	ARM PIO Controller B pin 29		ARM	CMOS 3.1V
H3	GND	-	Ground	-	-	Power
H4	PB20	I/O	ARM PIO Controller B pin 20		ARM	CMOS 3.1V
H5	PB21	I/O	ARM PIO Controller B pin 21		ARM	CMOS 3.1V
H6	PB19	I/O	ARM PIO Controller B pin 19		ARM	CMOS 3.1V
H7	PB18	I/O	ARM PIO Controller B pin 18		ARM	CMOS 3.1V
H8	RESERVED	-	RESERVED (3)	-	-	-



GE863-PRO³ Hardware User Guide

1vw0300773a Rev. 0 - 24/01/08

Ball	Signal	I/O	Main Function	Internal Pull up	ARM/ GSM	Type
H9	PC18	I/O	ARM PIO Controller C pin 18		ARM	CMOS 1.8V-A
H10	PB0	I/O	ARM PIO Controller B pin 0		ARM	CMOS 3.1V
H11	PB2	I/O	ARM PIO Controller B pin 2		ARM	CMOS 3.1V
H12	PB1	I/O	ARM PIO Controller B pin 1		ARM	CMOS 3.1V
J1	PB7	I/O	ARM PIO Controller B pin 7		ARM	CMOS 3.1V
J2	PB28	I/O	ARM PIO Controller B pin 28		ARM	CMOS 3.1V
J3	RESERVED	-	RESERVED (3)	-	-	-
J4	PB16	I/O	ARM PIO Controller B pin 16		ARM	CMOS 3.1V
J5	PB17	I/O	ARM PIO Controller B pin 17		ARM	CMOS 3.1V
J6	PC15	I/O	ARM PIO Controller C pin 15		ARM	CMOS 1.8V-A
J7	PC14	I/O	ARM PIO Controller C pin 14		ARM	CMOS 1.8V-A
J8	RESERVED	-	RESERVED (3)	-	-	-
J9	PC4	I/O	ARM PIO Controller C pin 4		ARM	CMOS 1.8V-A
J10	PC5	I/O	ARM PIO Controller C pin 5		ARM	CMOS 1.8V-A
J11	PC19	I/O	ARM PIO Controller C pin 19		ARM	CMOS 1.8V-A
J12	PC20	I/O	ARM PIO Controller C pin 20		ARM	CMOS 1.8V-A
K1	PA23	I/O	ARM PIO Controller A pin 23		ARM	CMOS 3.1V
K2	PA29	I/O	ARM PIO Controller A pin 29		ARM	CMOS 3.1V
K3	TMS	I	JTAG ARM - Test Mode Select	Pull Down	ARM	CMOS 3.1V
K4	TCK	I	JTAG ARM – Test Clock		ARM	CMOS 3.1V
K5	RTCK	O	JTAG ARM – Returned Test Clock		ARM	CMOS 3.1V
K6	PA25	I/O	ARM PIO Controller A pin 25		ARM	CMOS 3.1V
K7	PC13	I/O	ARM PIO Controller C pin 13		ARM	CMOS 1.8V-A
K8	PC6	I/O	ARM PIO Controller C pin 6		ARM	CMOS 1.8V-A
K9	PC7	I/O	ARM PIO Controller C pin 7		ARM	CMOS 1.8V-A
K10	PB3	I/O	ARM PIO Controller B pin 3		ARM	CMOS 3.1V
K11	HDMA	A	USB Host Port A Data -		ARM	USB
K12	HDP A	A	USB Host Port A Data +		ARM	USB
L1	PA24	I/O	ARM PIO Controller A pin 24		ARM	CMOS 3.1V
L2	OSCSEL	I	Slow Clock Oscillator Selection	Pull Down	ARM	CMOS VRTC
L3	NTRST	I	JTAG ARM - Test Reset	Pull Up	ARM	CMOS 3.1V
L4	TDI	I	JTAG ARM - Test Data Input		ARM	CMOS 3.1V
L5	TDO	O	JTAG ARM - Test Data Output		ARM	CMOS 3.1V
L6	JTAGSEL	I	JTAG ARM – JTAG Type Selection	Pull Down	ARM	CMOS 3.1V
L7	PA28	I/O	ARM PIO Controller A pin 28		ARM	CMOS 3.1V
L8	PA27	I/O	ARM PIO Controller A pin 27		ARM	CMOS 3.1V
L9	PA26	I/O	ARM PIO Controller A pin 26		ARM	CMOS 3.1V



GE863-PRO³ Hardware User Guide

1v0300773a Rev. 0 - 24/01/08

Ball	Signal	I/O	Main Function	Internal Pull up	ARM/ GSM	Type
L10	GND	-	Ground	-	-	Power
L11	HDMB	A	USB Host Port B Data -		ARM	USB
L12	HDPB	A	USB Host Port B Data +		ARM	USB
M1	XIN32	I	Slow Clock Oscillator Input		ARM	CMOS VRTC
M2	XOUT32	O	Slow Clock Oscillator Output		ARM	CMOS VRTC
M3	RESERVED	-	RESERVED (3)	-	-	-
M4	RESERVED	-	RESERVED (3)	-	-	-
M5	PB14	I/O	ARM PIO Controller B pin 14		ARM	CMOS 3.1V
M6	PB15	I/O	ARM PIO Controller B pin 15		ARM	CMOS 3.1V
M7	PC22	I/O	ARM PIO Controller C pin 22		ARM	CMOS 1.8V-A
M8	PC9	I/O	ARM PIO Controller C pin 9		ARM	CMOS 1.8V-A
M9	PA3	I/O	ARM PIO Controller A pin 3		ARM	CMOS 3.1V
M10	PA2	I/O	ARM PIO Controller A pin 2		ARM	CMOS 3.1V
M11	PA1	I/O	ARM PIO Controller A pin 1		ARM	CMOS 3.1V
M12	PA0	I/O	ARM PIO Controller A pin 0		ARM	CMOS 3.1V
N1	PA11	I/O	ARM PIO Controller A pin 11		ARM	CMOS 3.1V
N2	PA10	I/O	ARM PIO Controller A pin 10		ARM	CMOS 3.1V
N3	PA9	I/O	ARM PIO Controller A pin 9		ARM	CMOS 3.1V
N4	PA31	I/O	ARM PIO Controller A pin 31		ARM	CMOS 3.1V
N5	PA30	I/O	ARM PIO Controller A pin 30		ARM	CMOS 3.1V
N6	PB31	I/O	ARM PIO Controller B pin 31		ARM	CMOS 3.1V
N7	GND	-	Ground	-	-	Power
N8	PC16	I/O	ARM PIO Controller C pin 16		ARM	CMOS 1.8V-A
N9	PC17	I/O	ARM PIO Controller C pin 17		ARM	CMOS 1.8V-A
N10	RESERVED	-	RESERVED (3)	-	-	-
N11	DDM	A	USB Device Port Data -		ARM	USB
N12	DDP	A	USB Device Port Data +		ARM	USB
P1	PA6	I/O	ARM PIO Controller A pin 6		ARM	CMOS 3.1V
P2	PA7	I/O	ARM PIO Controller A pin 7		ARM	CMOS 3.1V
P3	PA8	I/O	ARM PIO Controller A pin 8		ARM	CMOS 3.1V
P4	PC12	I/O	ARM PIO Controller C pin 12		ARM	CMOS 1.8V-A
P5	PB30	I/O	ARM PIO Controller B pin 30		ARM	CMOS 3.1V
P6	PC0	I/O	ARM PIO Controller C pin 0		ARM	CMOS 3.1V
P7	PC1	I/O	ARM PIO Controller C pin 1		ARM	CMOS 3.1V
P8	PC2	I/O	ARM PIO Controller C pin 2		ARM	CMOS 3.1V
P9	PC3	I/O	ARM PIO Controller C pin 3		ARM	CMOS 3.1V
P10	PA22	I/O	ARM PIO Controller A pin 22		ARM	CMOS 3.1V



GE863-PRO³ Hardware User Guide
1v0300773a Rev. 0 - 24/01/08

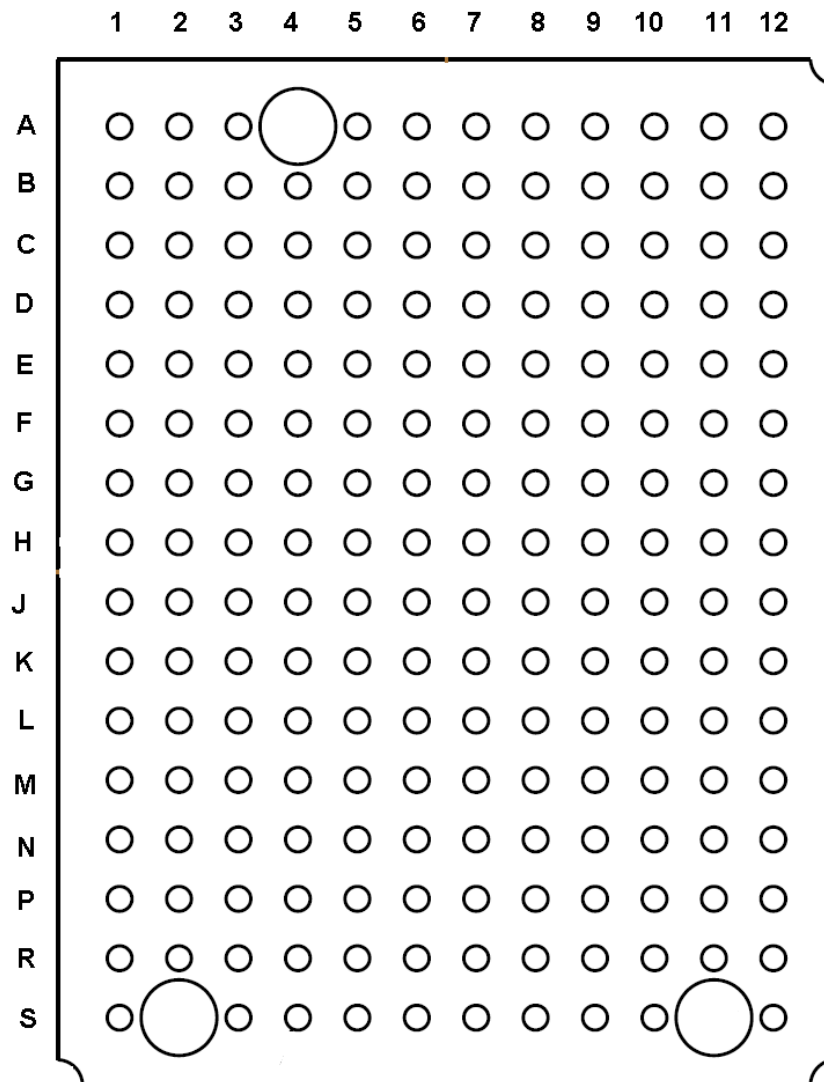
Ball	Signal	I/O	Main Function	Internal Pull up	ARM/ GSM	Type
P11	3.1V_OUT	OA	ARM 3.1V Power Output		ARM	-
P12	VBATT2	-	Main ARM Power Supply		ARM	Power
R1	GND	-	Ground	-	-	Power
R2	GND	-	Ground	-	-	Power
R3	GND	-	Ground	-	-	Power
R4	PA21	I/O	ARM PIO Controller A pin 21		ARM	CMOS 3.1V
R5	PA18	I/O	ARM PIO Controller A pin 18		ARM	CMOS 3.1V
R6	PA17	I/O	ARM PIO Controller A pin 17		ARM	CMOS 3.1V
R7	PA19	I/O	ARM PIO Controller A pin 19		ARM	CMOS 3.1V
R8	PA16	I/O	ARM PIO Controller A pin 16		ARM	CMOS 3.1V
R9	RESERVED	-	RESERVED (3)	-	-	-
R10	GND	-	Ground	-	-	Power
R11	GND	-	Ground	-	-	Power
R12	GND	-	Ground	-	-	Power
S1	RESERVED	-	RESERVED (3)	-	-	-
S2	RESERVED	-	RESERVED (3)	-	-	-
S3	GND	-	Ground	-	-	Power
S4	PA20	I/O	ARM PIO Controller A pin 20		ARM	CMOS 3.1V
S5	PA14	I/O	ARM PIO Controller A pin 14		ARM	CMOS 3.1V
S6	PA15	I/O	ARM PIO Controller A pin 15		ARM	CMOS 3.1V
S7	PA12	I/O	ARM PIO Controller A pin 12		ARM	CMOS 3.1V
S8	PA13	I/O	ARM PIO Controller A pin 13		ARM	CMOS 3.1V
S9	RESERVED	-	RESERVED (3)	-	-	-
S10	GND	-	Ground	-	-	Power
S11	RESERVED	-	RESERVED (3)	-	-	-
S12	RESERVED	-	RESERVED (3)	-	-	-

- (1) For the exclusive use of the Technical Support Service
- (2) On this pin a maximum of 10nF bypass capacitor is allowed.
- (3) Reserved Pins must be left UNCONNECTED



3.2 BALLS LAYOUT

TOP VIEW



3.3 ARM Port IO multiplexing

ARM PIO Controller A multiplexing

IO line	Peripheral A	Peripheral B	Comments	Reset State	Boot State
PA0	SPI0_MISO	MCDB0	Connected to internal dataflash SO (1)	I/O	SPI0_MISO
PA1	SPI0_MOSI	MCCDB	Connected to internal dataflash SI (1)	I/O	SPI0_MOSI
PA2	SPI0_SPCK		Connected to internal dataflash CLK (1)	I/O	SPI0_SPCK
PA3	SPI0_NPCS0	MCDB3		I/O	SPI0_NPCS0
PA4	RTS2	MCDB2		I/O	I with Pull-up
PA5	CTS2	MCDB1		I/O	I with Pull-up
PA6	MCDA0			I/O	I with Pull-up
PA7	MCCDA			I/O	I with Pull-up
PA8	MCCK			I/O	I with Pull-up
PA9	MCDA1			I/O	I with Pull-up
PA10	MCDA2	ETX2		I/O	I with Pull-up
PA11	MCDA3	ETX3		I/O	I with Pull-up
PA12	ETX0			I/O	I with Pull-up
PA13	ETX1			I/O	I with Pull-up
PA14	ERX0			I/O	I with Pull-up
PA15	ERX1			I/O	I with Pull-up
PA16	ETXEN			I/O	I with Pull-up
PA17	ERXDV			I/O	I with Pull-up
PA18	ERXER			I/O	I with Pull-up
PA19	ETXCK			I/O	I with Pull-up
PA20	EMDC			I/O	I with Pull-up
PA21	EMDIO			I/O	I with Pull-up
PA22	ADTRG	ETXER		I/O	I with Pull-up
PA23	TWD	ETX2		I/O	I with Pull-up
PA24	TWCK	ETX3		I/O	I with Pull-up
PA25	TCLK0	ERX2		I/O	I with Pull-up
PA26	TIOA0	ERX3		I/O	I with Pull-up
PA27	TIOA1	ERXCK		I/O	I with Pull-up
PA28	TIOA2	ECRS		I/O	I with Pull-up
PA29	SCK1	ECOL		I/O	I with Pull-up
PA30	SCK2	RXD4		I/O	I with Pull-up
PA31	SCK0	TXD4		I/O	I with Pull-up



ARM PIO Controller B multiplexing

IO line	Peripheral A	Peripheral B	Comments	Reset State	Boot State
PB0	SPI1_MISO	TIOA3		I/O	I with Pull-up
PB1	SPI1_MOSI	TIOB3		I/O	I with Pull-up
PB2	SPI1_SPCK	TIOA4		I/O	I with Pull-up
PB3	SPI1_NPCS0	TIOA5		I/O	I with Pull-up
PB4	TXD0			I/O	I with Pull-up
PB5	RXD0			I/O	I with Pull-up
PB6	TXD1	TCLK1		I/O	I with Pull-up
PB7	RXD1	TCLK2		I/O	I with Pull-up
PB8	TXD2			I/O	I with Pull-up
PB9	RXD2			I/O	I with Pull-up
PB10	TXD3	ISI_D8		I/O	I with Pull-up
PB11	RXD3	ISI_D9		I/O	I with Pull-up
PB12	TXD5	ISI_D10		I/O	I with Pull-up
PB13	RXD5	ISI_D11		I/O	I with Pull-up
PB14	DRXD			I/O	DRXD
PB15	DTXD			I/O	DTXD
PB16	TK0	TCLK3		I/O	I with Pull-up
PB17	TF0	TCLK4		I/O	I with Pull-up
PB18	TD0	TIOB4		I/O	I with Pull-up
PB19	RD0	TIOB5		I/O	I with Pull-up
PB20	RK0	ISI_D0		I/O	I with Pull-up
PB21	RF0	ISI_D1		I/O	I with Pull-up
PB22	DSR0	ISI_D2		I/O	I with Pull-up
PB23	DCD0	ISI_D3		I/O	I with Pull-up
PB24	DTR0	ISI_D4		I/O	I with Pull-up
PB25	RI0	ISI_D5		I/O	I with Pull-up
PB26	RTS0	ISI_D6		I/O	I with Pull-up
PB27	CTS0	ISI_D7		I/O	I with Pull-up
PB28	RTS1	ISI_PCK		I/O	I with Pull-up
PB29	CTS1	ISI_VSYNC		I/O	I with Pull-up
PB30	PCK0	ISI_HSYNC		I/O	I with Pull-up
PB31	PCK1	ISI_MCK		I/O	I with Pull-up



ARM PIO Controller C multiplexing

IO line	Peripheral A	Peripheral B	Comments	Reset State	Boot State
PC0	SCK3	AD0		I/O	I with Pull-up
PC1	PCK0	AD1		I/O	I with Pull-up
PC2	PCK1	AD2		I/O	I with Pull-up
PC3	SPI1_NPCS3	AD3		I/O	I with Pull-up
PC4	A23	SPI1_NPCS2		A23	I with Pull-up
PC5	A24	SPI1_NPCS1		A24	I with Pull-up
PC6	TIOB2	CFCE1		I/O	I with Pull-up
PC7	TIOB1	CFCE2		I/O	I with Pull-up
PC8	NCS4/CFCS0	RTS3		I/O	I with Pull-up
PC9	NCS5/CFCS1	TIOB0		I/O	I with Pull-up
PC10	A25/CFRNW	CTS3		A25	I with Pull-up
PC11	NCS2	SPI0_NPCS1	Connected to internal dataflash CS line NOT AVAILABLE on the Balls	I/O	SPI0_NPCS1
PC12	IRQ0	NCS7		I/O	I with Pull-up
PC13	FIQ	NCS6		I/O	I with Pull-up
PC14	NCS3/NANDCS	IRQ2		I/O	I with Pull-up
PC15	NWAIT	IRQ1		I/O	I with Pull-up
PC16	D16	SPI0_NPCS2		I/O	SPI0_NPCS2 with pull-up
PC17	D17	SPI0_NPCS3		I/O	SPI0_NPCS3 with pull-up
PC18	D18	SPI1_NPCS1		I/O	I with Pull-up
PC19	D19	SPI1_NPCS2		I/O	I with Pull-up
PC20	D20	SPI1_NPCS3		I/O	I with Pull-up
PC21	D21	EF100		I/O	I with Pull-up
PC22	D22	TCLK5		I/O	I with Pull-up
PC23	D23		Enable of 6MHz internal ARM Oscillator (active High) NOT AVAILABLE on the Balls	I/O	O HIGH
PC24	D24		NOT AVAILABLE on the Balls	I/O	-
PC25	D25		NOT AVAILABLE on the Balls	I/O	-
PC26	D26		NOT AVAILABLE on the Balls	I/O	-
PC27	D27		NOT AVAILABLE on the Balls	I/O	-
PC28	D28			I/O	I with Pull-up
PC29	D29		GPIO that goes High and can be connected externally keep ARM powered ON	I/O	O HIGH
PC30	D30			I/O	I with Pull-up
PC31	D31			I/O	I with Pull-up





TIP: For further documentation on ARM processor refer to ATMEL AT91SAM9260 datasheet

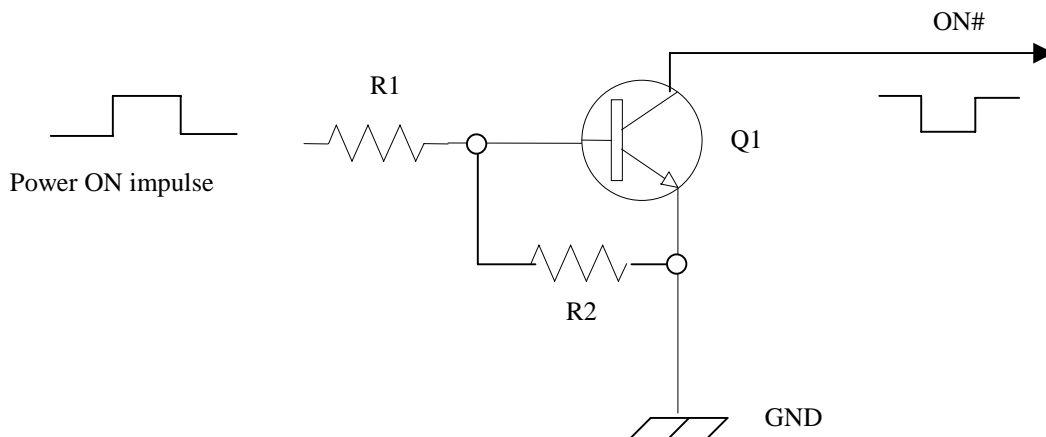
4 Hardware Commands

4.1 Turning ON the GE863-PRO³ GSM/GPRS Engine

To turn on the GE863-PRO³ GSM/GPRS engine the pad ON/OFF*-GSM must be tied low for at least 1 second and then released.

The maximum current that can be drained from the ON/OFF*-GSM pad is 0,1 mA.

A simple circuit to do it is:



! *NOTE: don't use any pull up resistor on the ON# line, it is internally pulled up. Using pull up resistor may bring to latch up problems on the GE863-PRO³ power regulator and improper power on/off of the module. The line ON# must be connected only in open collector configuration.*

! *NOTE: In this document all the lines that are inverted, hence have active low signals are labeled with a name that ends with a "*" or with a bar over the name.*

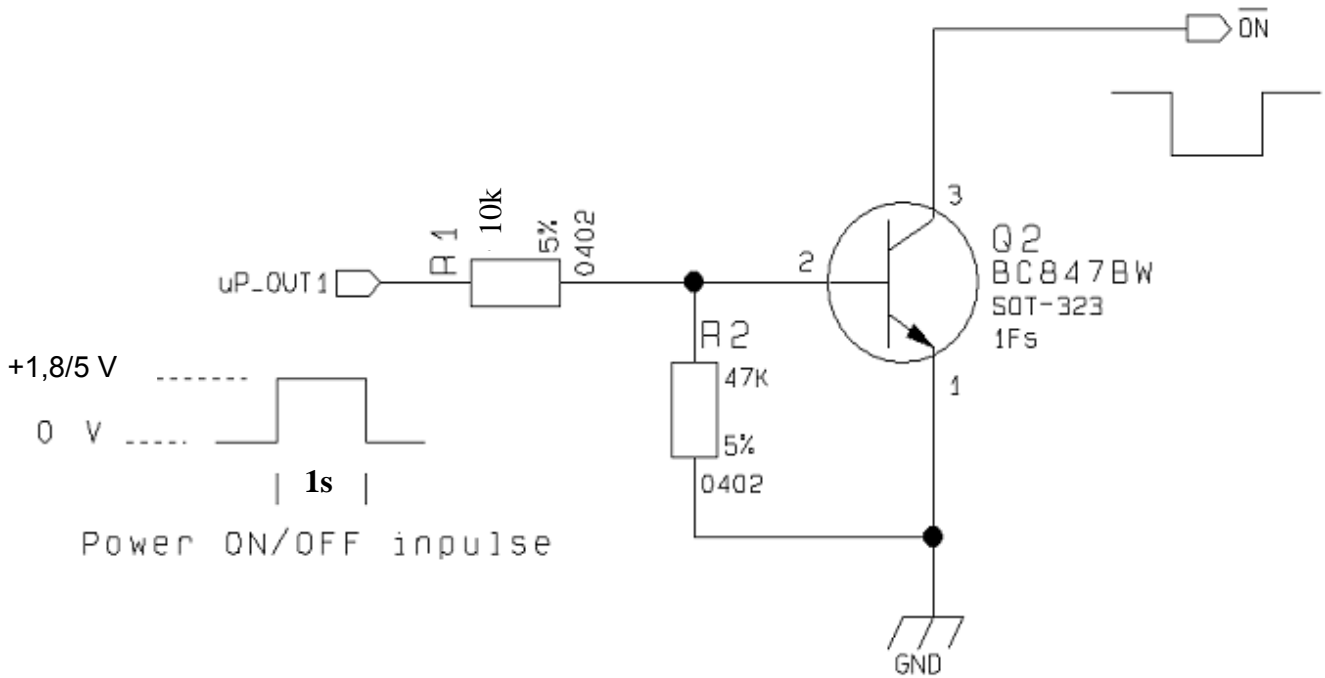
! *NOTE: The GE863-PRO³ turns fully on also by supplying power to the Charge pad (Module provided with a battery on the VBATT pads).*

! *TIP: To check if the device has powered on, the hardware line PWRMON should be monitored. After 900ms the line raised up the device could be considered powered on. PWRMON line rises up also when supplying power to the Charge pad*

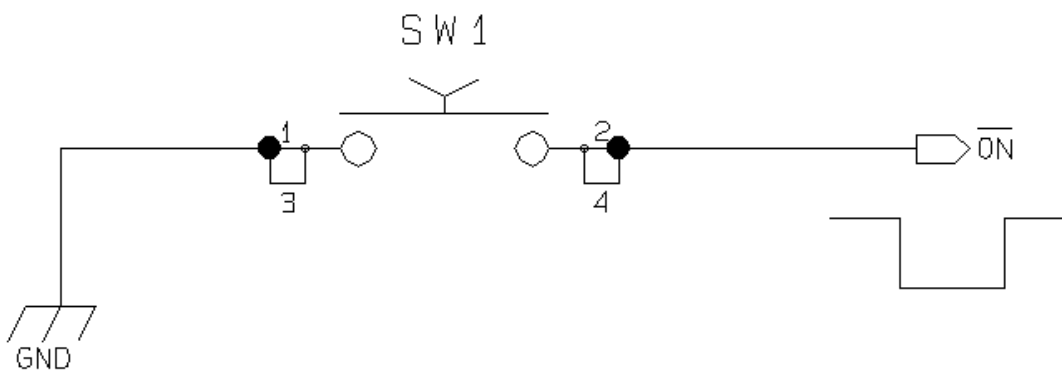


For example:

1- Let's assume you need to drive the ON/OFF*-GSM pad with a totem pole output of a +3/5 V microcontroller (uP_OUT1):



2- Let's assume you need to drive the ON/OFF*-GSM pad directly with an ON/OFF button:



4.2 Turning OFF the GE863-PRO³ GSM/GPRS Engine

The turning off of the device can be done in two ways:

- by software command (see GE863- GE863-PRO³ Software User Guide)
- by hardware shutdown

When the device is shut down by software command or by hardware shutdown, it issues to the network a detach request that informs the network that the device will not be reachable any more.

4.2.1 Hardware shutdown

To turn OFF the GE863-PRO³ the pad ON/OFF*-GSM must be tied low for at least 1 second and then released.

The same circuitry and timing for the power on shall be used.

The device shuts down after the release of the ON/OFF*-GSM pad.



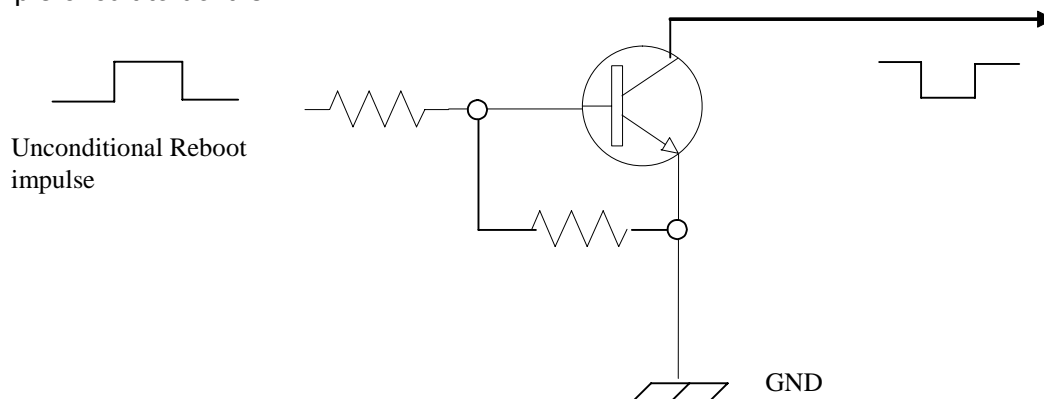
TIP: To check if the device has powered off, the hardware line PWRMON should be monitored. When PWRMON goes low, the device has powered off.

4.3 Hardware Unconditional Reboot of GSM/GPRS Engine

To unconditionally Reboot the GE863-PRO³, the pad RESET*-GSM must be tied low for at least 200 milliseconds and then released.

The maximum current that can be drained from the RESET*-GSM pad is 0,15 mA.

A simple circuit to do it is:





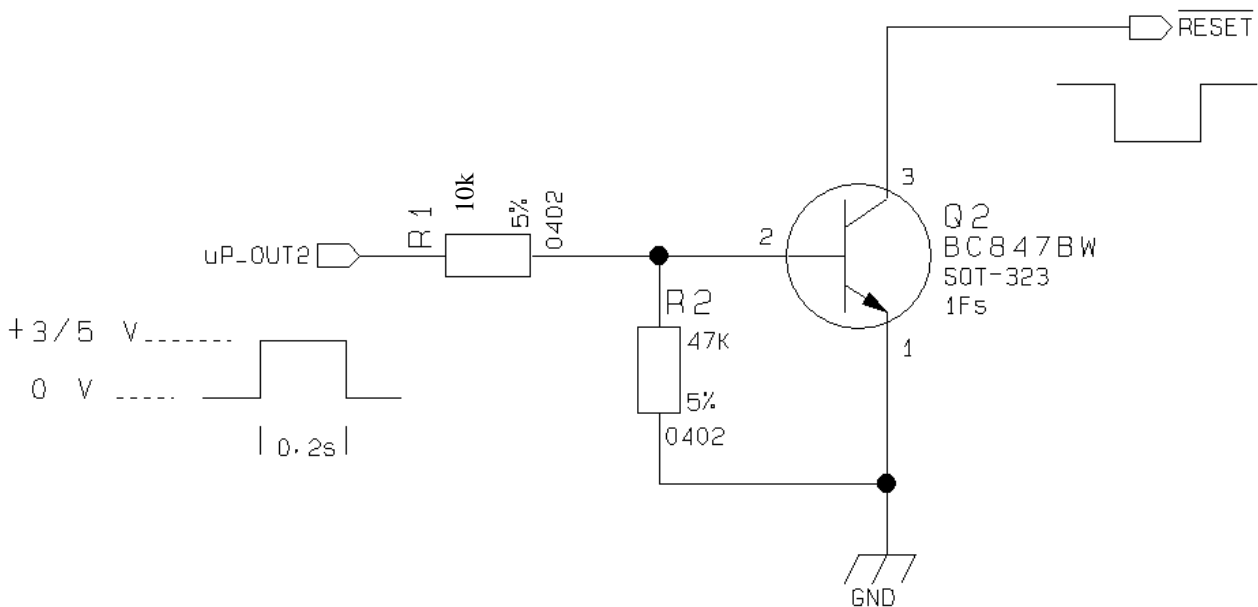
NOTE: don't use any pull up resistor on the RESET*-GSM line nor any totem pole digital output. Using pull up resistor may bring to latch up problems on the GE863-PRO³ power regulator and improper functioning of the module. The line RESET*-GSM must be connected only in open collector configuration.



TIP: The unconditional hardware reboot should be always implemented on the boards and software should use it as an emergency exit procedure.

For example:

1- Let's assume you need to drive the RESET*-GSM (RESET) pad with a totem pole output of a +1.8/5 V microcontroller (uP_OUT2):



4.4 Turning ON/OFF the GE863-PRO³ ARM

To turn on the GE863-PRO³ ARM the pad ON/OFF*-AP must be tied low and kept low, when pin is raised (released) the ARM will shutdown.

The maximum current that can be drained from the ON/OFF*-AP pad is 0,1 mA.



GSM TX and RX mode		GSM Sending data mode
Min power level	78,0	
Max power level	200,0	
GPRS (class 10) TX and RX mode		GPRS Sending data mode
Min power level	124,0	
Max power level	371,0	

The GSM system is made in a way that the RF transmission is not continuous, else it is packed into bursts at a base frequency of about 216 Hz, the relative current peaks can be as high as about 2A. Therefore the power supply has to be designed in order to withstand with these current peaks without big voltage drops; this means that both the electrical design and the board layout must be designed for this current flow. If the layout of the PCB is not well designed a strong noise floor is generated on the ground and the supply; this will reflect on all the audio paths producing an audible annoying noise at 216 Hz; if the voltage drop during the peak current absorption is too much, then the device may even shutdown as a consequence of the supply voltage drop.



***TIP:** The electrical design for the Power supply should be made ensuring it will be capable of a peak current output of at least 2 A.*

5.2 ARM Power Supply Requirements

POWER SUPPLY	
Nominal Supply Voltage	3.8 V
Operating Supply voltage range	3.4 V - 4.2 V
Absolute Maximum voltage range	3.30 – 4.5 V

GE863-PRO ³		
Mode	Typical Average (mA)	Mode description
Off	< 2 μ A (TBD)	
Full Speed	140 (TBD)	ARM is operational at full speed 200MHz CPU Clock , Main Clock 100 MHz and all peripherals active
Slow Clocking	1 (TBD)	ARM is running on slow clock with peripherals disabled

5.3 VRTC Backup supply

The RTC of the GSM/GPRS engine and the RTC & Shutdown controller of the ARM part are supplied by VRTC. This voltage supply is generated by a low quiescent current regulator inside the module that takes its power from VBATT pins. Since this voltage supply is needed to correctly boot the ARM part, if it is planned to remove the VBATT supply and still turn on the ARM part supplied by VBATT2, then an appropriate power supply must be provided to the VRTC pin.

To obtain several working years for the Real Time Clock of the GSM/GPRS engine and the RTC, 32KHz oscillator & Shutdown controller of the ARM part without VBATT power supply voltage, it is needed to make use of a lithium primary battery to supply the RTC circuits in the Telit Module.

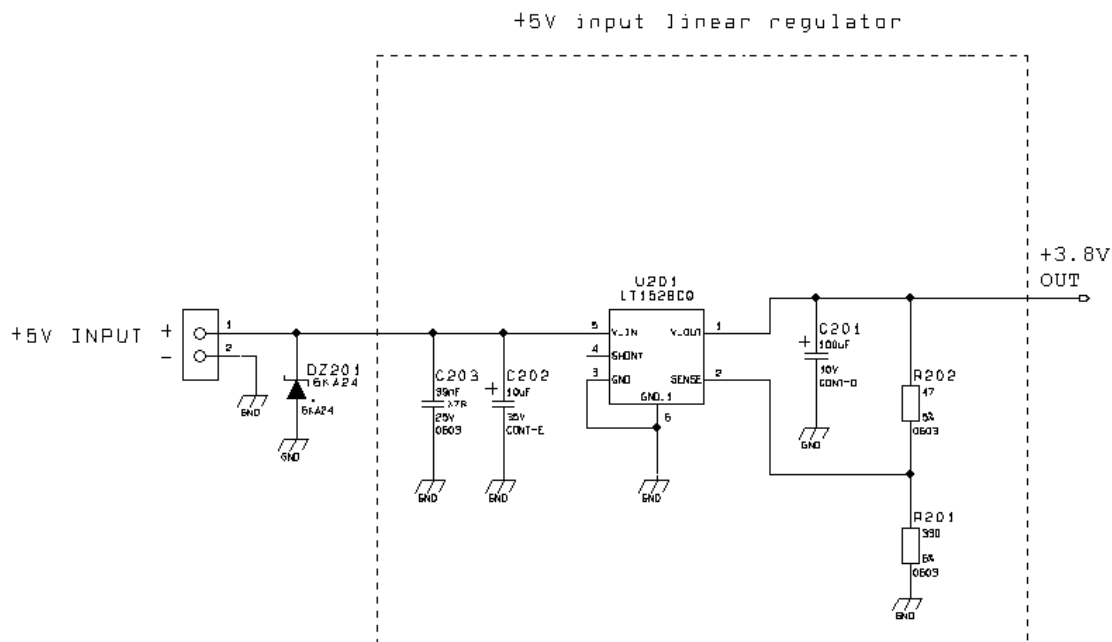
The operative voltage for VRTC is lower than the voltage of primary lithium battery (3V nominal). It is therefore necessary to put a LDO voltage regulator in the circuit.



5.4.1.1 + 5V input Source Power Supply Design Guidelines

- The desired output for the power supply is 3.8V, hence there's not a big difference between the input source and the desired output and a linear regulator can be used. A switching power supply will not be suited because of the low drop out requirements.
- When using a linear regulator, a proper heat sink shall be provided in order to dissipate the power generated.
- A Bypass low ESR capacitor of adequate capacity must be provided in order to cut the current absorption peaks close to the GE863-PRO³, a 100µF tantalum capacitor is usually suited.
- Make sure the low ESR capacitor on the power supply output (usually a tantalum one) is rated at least 10V.
- A protection diode should be inserted close to the power input, in order to save the GE863-PRO³ from power polarity inversion.

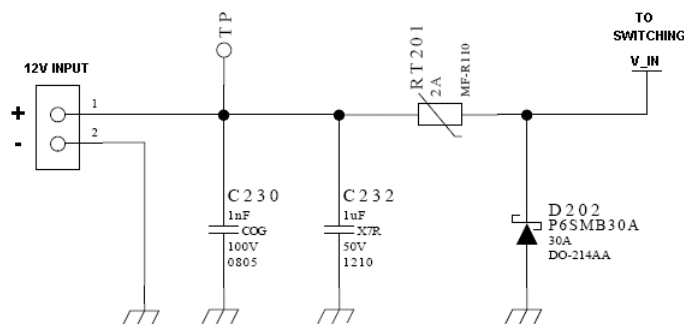
An example of linear regulator with 5V input is:

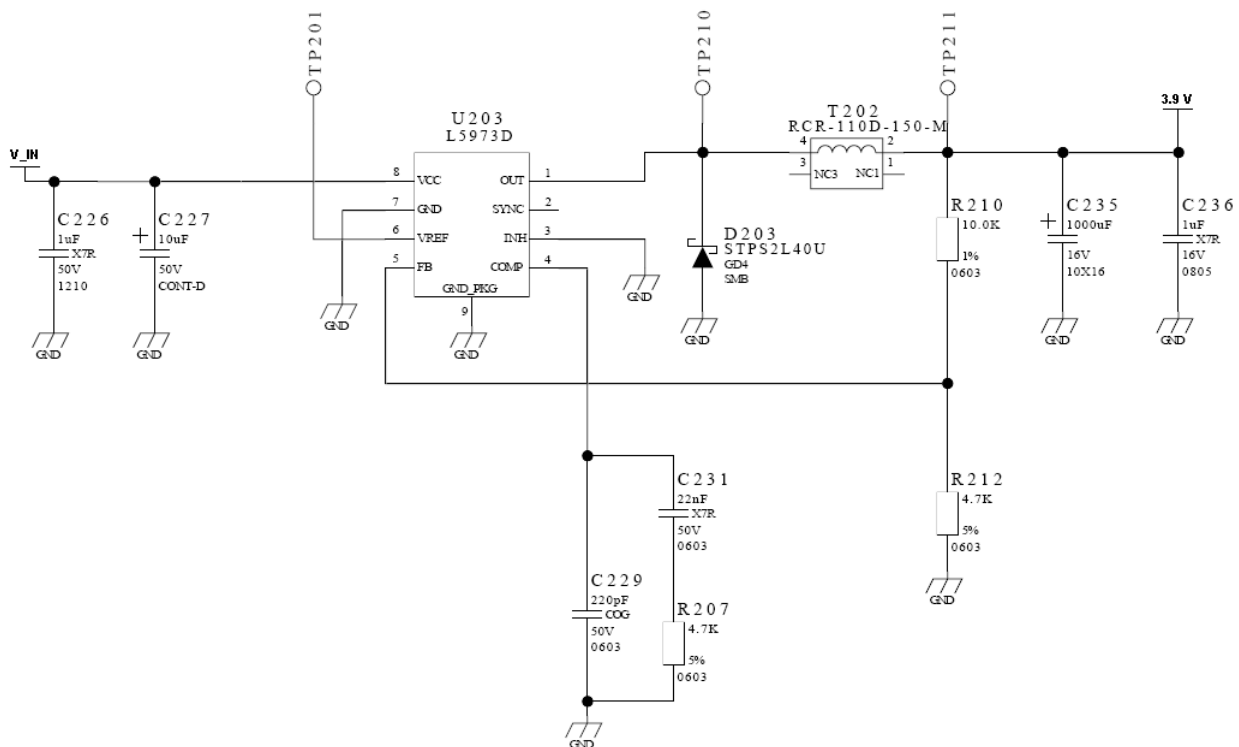


5.4.1.2 + 12V input Source Power Supply Design Guidelines

- The desired output for the power supply is 3.8V, hence due to the big difference between the input source and the desired output, a linear regulator is not suited and shall not be used. A switching power supply will be preferable because of its better efficiency especially with the 2A peak current load represented by the GE863-PRO3.
- When using a switching regulator, a 500kHz or more switching frequency regulator is preferable because of its smaller inductor size and its faster transient response. This allows the regulator to respond quickly to the current peaks absorption.
- For car PB battery the input voltage can rise up to 15,8V and this should be kept in mind when choosing components: all components in the power supply must withstand this voltage.
- A Bypass low ESR capacitor of adequate capacity must be provided in order to cut the current absorption peaks, a 100µF tantalum capacitor is usually suited.
- Make sure the low ESR capacitor on the power supply output (usually a tantalum one) is rated at least 10V.
- For Car applications a spike protection diode should be inserted close to the power input, in order to clean the supply from spikes.
- A protection diode should be inserted close to the power input, in order to save the GE863-PRO³ from power polarity inversion. This can be the same diode as for spike protection.

An example of switching regulator with 12V input is in the below schematic (it is split in 2 parts):





SWITCHING REGULATOR

5.4.1.3 Battery Source Power Supply Design Guidelines

- The desired nominal output for the power supply is 3.8V and the maximum voltage allowed is 4.2V, hence a single 3.7V Li-Ion cell battery type is suited for supplying the power to the Telit GE863-PRO³ module.

The three cells Ni/Cd or Ni/MH 3,6 V Nom. battery types or 4V PB types ***MUST NOT BE USED DIRECTLY*** since their maximum voltage can rise over the absolute maximum voltage for the GE863-PRO³ and damage it.



NOTE: DON'T USE any Ni-Cd, Ni-MH, and Pb battery types directly connected with GE863-PRO³. Their use can lead to overvoltage on the GE863-PRO³ and damage it. USE ONLY Li-Ion battery types.

- A Bypass low ESR capacitor of adequate capacity must be provided in order to cut the current absorption peaks, a 100µF tantalum capacitor is usually suited.
- Make sure the low ESR capacitor (usually a tantalum one) is rated at least 10V.
- A protection diode should be inserted close to the power input, in order to save the GE863-PRO³ from power polarity inversion. Otherwise the battery connector should be done in a way to avoid polarity inversions when connecting the battery.




GE863-PRO³ Hardware User Guide


1v0300773a Rev. 0 - 24/01/08


Last but not least, in some applications it is highly desired that the charging process restarts when the battery is discharged and its voltage drops below a certain threshold, GE863-PRO³ internal charger does it.

As you can see, the charging process is not a trivial task to be done; moreover all these operations should start only if battery temperature is inside a charging range, usually 5°C - 45°C.

The GE863-PRO³ measures the temperature of its internal component, in order to satisfy this last requirement, it's not exactly the same as the battery temperature but in common application the two temperature should not differ too much and the charging temperature range should be guaranteed.

 *NOTE: For all the threshold voltages, inside the GE863-PRO³ all thresholds are fixed in order to maximize Li-Ion battery performances and do not need to be changed.*

 *NOTE: In this application the battery charger input current must be limited to less than 400mA. This can be done by using a current limited wall adapter as the power source.*

 *NOTE: When starting the charger from Module powered off the startup will be in CFUN4; to activate the normal mode a command AT+CFUN=1 has to be provided. This is also possible using the POWER ON. There is also the possibility to activate the normal mode using the **ON/OFF*** signal. In this case, when HW powering off the module with the same line (ON/OFF*) and having the charger still connected, the module will go back to CFUN4.*



5.4.2 Thermal Design Guidelines

The thermal design for the power supply heat sink should be done with the following specifications:

- *Average current consumption during transmission @PWR level max:* 500mA
- *Average current consumption during transmission @ PWR level min:* 100mA
- *Average current during Power Saving:* 4mA
- *Average current during idle (Power Saving disabled)* 24mA
- *Average current consumption of ARM@ full speed* 140 mA



NOTE: The average consumption during transmissions depends on the power level at which the device is requested to transmit by the network. The average current consumption hence varies significantly.

Considering the very low current during idle, especially if Power Saving function is enabled, it is possible to consider from the thermal point of view that the device absorbs current significantly only during calls.

If we assume that the device stays into transmission for short periods of time (let's say few minutes) and then remains for a quite long time in idle (let's say one hour), then the power supply has always the time to cool down between the calls and the heat sink could be smaller than the calculated one for 500mA maximum RMS current, or even could be the simple chip package (no heat sink).

Moreover in the average network conditions the device is requested to transmit at a lower power level than the maximum and hence the current consumption will be less than the 500mA, being usually around 150mA.

For these reasons the thermal design is rarely a concern and the simple ground plane where the power supply chip is placed can be enough to ensure a good thermal condition and avoid overheating. For the heat generated by the GE863-PRO³, you can consider it to be during transmission 1W max during CSD/VOICE calls and 2W max during class10 GPRS upload.

This generated heat will be mostly conducted to the ground plane under the GE863-PRO³; you must ensure that your application can dissipate it.



5.4.3 Power Supply PCB layout Guidelines

As seen on the electrical design guidelines the power supply shall have a low ESR capacitor on the output to cut the current peaks and a protection diode on the input to protect the supply from spikes and polarity inversion. The placement of these components is crucial for the correct working of the circuitry. A misplaced component can be useless or can even decrease the power supply performances.

- The Bypass low ESR capacitor must be placed close to the Telit GE863-PRO³ power input pads or in the case the power supply is a switching type it can be placed close to the inductor to cut the ripple, provided the PCB trace from the capacitor to the GE863-PRO³ is wide enough to ensure a dropless connection even during the 2A current peaks.
- The protection diode must be placed close to the input connector where the power source is drained.
- The PCB traces from the input connector to the power regulator IC must be wide enough to ensure a minimum voltage drop occur when the 2A current peaks are absorbed. Note that this is not made in order to save power loss but especially to avoid the voltage drops on the power line at the current peaks frequency of 216 Hz that will reflect on all the components connected to that supply, introducing the noise floor at the burst base frequency. For this reason while a voltage drop of 300-400 mV may be acceptable from the power loss point of view, the same voltage drop may not be acceptable from the noise point of view. If your application doesn't have audio interface but only uses the data feature of the Telit GE863-PRO³, then this noise is not so disturbing and power supply layout design can be more forgiving.
- The PCB traces to the GE863-PRO³ and the Bypass capacitor must be wide enough to ensure no significant voltage drops occur when the 2A current peaks are absorbed. This is for the same reason as previous point. Try to keep this trace as short as possible.
- The PCB traces connecting the Switching output to the inductor and the switching diode must be kept as short as possible by placing the inductor and the diode very close to the power switching IC (only for switching power supply). This is done in order to reduce the radiated field (noise) at the switching frequency (100-500 kHz usually).
- The use of a good common ground plane is suggested.
- The placement of the power supply on the board should be done in such a way to guarantee that the high current return paths in the ground plane are not overlapped to any noise sensitive circuitry as the microphone amplifier/buffer or earphone amplifier.
- The power supply input cables should be kept separate from noise sensitive lines such as microphone/earphone cables.



6.3 GSM Antenna - installation Guidelines

- Install the antenna in a place covered by the GSM signal.
- The Antenna must be installed to provide a separation distance of at least 20 cm from all persons and must not be co-located or operating in conjunction with any other antenna or transmitter;
- Antenna shall not be installed inside metal cases
- Antenna shall be installed also according Antenna manufacturer instructions.

6.4 Electro Magnetic Interference - Guidelines

The GE863-PRO³ has been particularly designed in order to keep to a minimum the Electro Magnetic Interferences between the ARM part and the GSM/GPRS engine, however especially the ARM part remains a noisy device that must be threaten with care in order to avoid that its EMI affect the GPRS part through an external coupling.

Therefore:

- Keep fast ARM lines far away from Antenna line in order to avoid direct coupling;
- Keep fast ARM lines buried in the inner layers, with Ground Layers [fenced with vias] on the top/bottom layers;
- If your lines are long, place a series resistor [in the range of $47\Omega - 100\Omega$] close to the GE863-PRO³ ARM ball to reduce the ringing and the EM emissions of the signal
- If your PCB lines are very long, place a terminator resistor close to the device line end.



6.5 Logic level specifications

Where not specifically stated, all the interface circuits work at 2.8V CMOS logic levels. The following table shows the logic level specifications used in the [Telit GE863-PRO³](#) interface circuits:

Absolute Maximum Ratings -Not Functional

Parameter	Min	Max
Input level on any digital pin when on	-0.3V	+3.6V
Input voltage on analog pins when on	-0.3V	+3.0 V
Voltage on Buffered pins	-0.3V	25V

Operating Range - Interface levels (CMOS 2.8V)

Level	Min	Max
Input high level	2.1V	3.3V
Input low level	0V	0.5V
Output high level	2.2V	3.0V
Output low level	0V	0.35V

Operating Range - Interface levels (CMOS 1.8V)

Level	Min	Max
Input high level	1.6V	3.3V
Input low level	0V	0.4V
Output high level	1,65V	2.2V
Output low level	0V	0.35V

Operating Range - Interface levels (CMOS 3.1V)

Level	Min	Max
Input high level	2.0V	3.4V
Input low level	-0.3V	0.8V
Output high level	2.7V	3.2V
Output low level	0V	0.4V



7 Serial Ports

The serial port on the Telit GE863-PRO³ is the core of the interface between the module engine and the ARM processor.

2 serial ports are available on the module engine:

- MODEM SERIAL PORT
- MODEM SERIAL PORT 2 (DEBUG)

6+1(DBG) serial ports are available on the ARM part.

No direct connection is present between the two parts, on the hosting PCB the two serial ports need to be interconnected. It is up to the user to select whatever serial port is most suited on the ARM part to exchange data with the GSM/GPRS engine; however the USART0 port on the ARM is the only supporting the full RS232 line signaling and should be preferred.

In the ball-out of the GE863-PRO³ the balls of the MODEM SERIAL port and ARM USART0 are placed one next the other, allowing an easy routing of the connection.

7.1 MODEM SERIAL PORT

Several configurations can be designed for the serial port on the OEM hardware, but the most common are:

- RS232 PC com port
- microcontroller UART @ 2.8V – 3.1V (Universal Asynchronous Receive Transmit)

Depending from the type of serial port on the OEM hardware a level translator circuit may be needed to make the system work. The only configuration that doesn't need a level translation is the 2.8V – 3.1V UART and hence the GE863-PRO³ GSM/GPRS engine can be directly connected with the ARM serial port @ 3.1V CMOS.

The serial port on the GE863-PRO³ GSM/GPRS engine is a +2.8V UART with all the 7 RS232 signals, While the serial ports on the ARM part are +3.1V UART.

GE863-PRO³ serial ports differ from the PC-RS232 in the signal polarity (RS232 is reversed) and levels.



7.2 RS232 level translation

In order to interface the Telit GE863-PRO³ with a PC com port or a RS232 (EIA/TIA-232) application a level translator is required. This level translator must

- invert the electrical signal in both directions
- change the level from 0/3V to +15/-15V

Actually, the RS232 UART 16450, 16550, 16650 & 16750 chipsets accept signals with lower levels on the RS232 side (EIA/TIA-562) , allowing for a lower voltage-multiplying ratio on the level translator. Note that the negative signal voltage must be less than 0V and hence some sort of level translation is always required.

The simplest way to translate the levels and invert the signal is by using a single chip level translator. There are a multitude of them, differing in the number of driver and receiver and in the levels (be sure to get a true RS232 level translator not a RS485 or other standards).

By convention the driver is the level translator from the 0-3V UART level to the RS232 level, while the receiver is the translator from RS232 level to 0-3V UART.

In order to translate the whole set of control lines of the UART you will need:

- 5 driver
- 3 receiver



NOTE: The digital input lines working at 2.8V/3.1VCMOS have an absolute maximum input voltage of 3,75V; therefore the level translator IC shall not be powered by the +3.8V supply of the module. Instead it shall be powered from a +2.8V / +3.1V (dedicated or 3.1V_OUT) power supply.

This is because in this way the level translator IC outputs on the module side (i.e. GE863-PRO³ inputs) will work at +3.8V interface levels, stressing the module inputs at its maximum input voltage.

This can be acceptable for evaluation purposes, but not on production devices.



NOTE: In order to be able to do in circuit reprogramming of the GE863-PRO³ GPRS firmware, the serial port on the Telit GE863-PRO³ shall be available for translation into RS232 and either it's controlling ARM device shall be placed into tristate, disconnected or as a gateway for the serial data when module reprogramming occurs.

Only RXD, TXD, GND and the On/off module turn on pad are required to the reprogramming of the module, the other lines are unused.

All applicator shall include in their design such a way of reprogramming the GE863-PRO³.



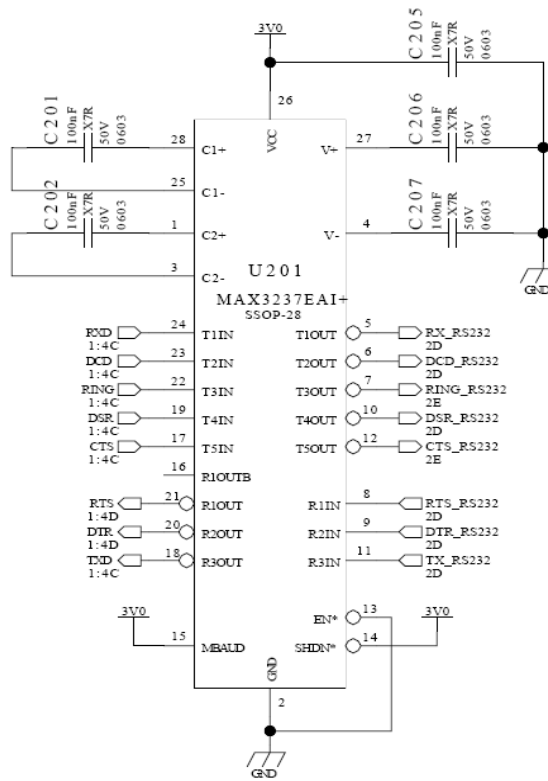
NOTE: In order to be able to do in circuit reprogramming of the GE863-PRO³ ARM Application software, the serial port DEBUG on the Telit GE863-PRO³ shall be available for translation into RS232 when module reprogramming occurs.

Only DRXD, DTXD, GND and the ON/OFF-AP module turn on pad are required to the reprogramming of the module, the other lines are unused.*

All applicator shall include in their design such a way of reprogramming the GE863-PRO³.



An example of level translation circuitry of this kind is:

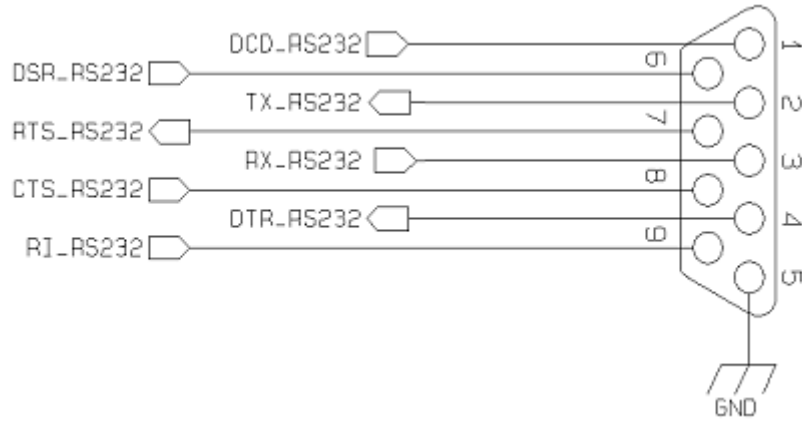


RS232 LEVEL TRSANSULATOR



GE863-PRO³ Hardware User Guide
1v0300773a Rev. 0 - 24/01/08

The RS232 serial port lines are usually connected to a DB9 connector with the following layout:

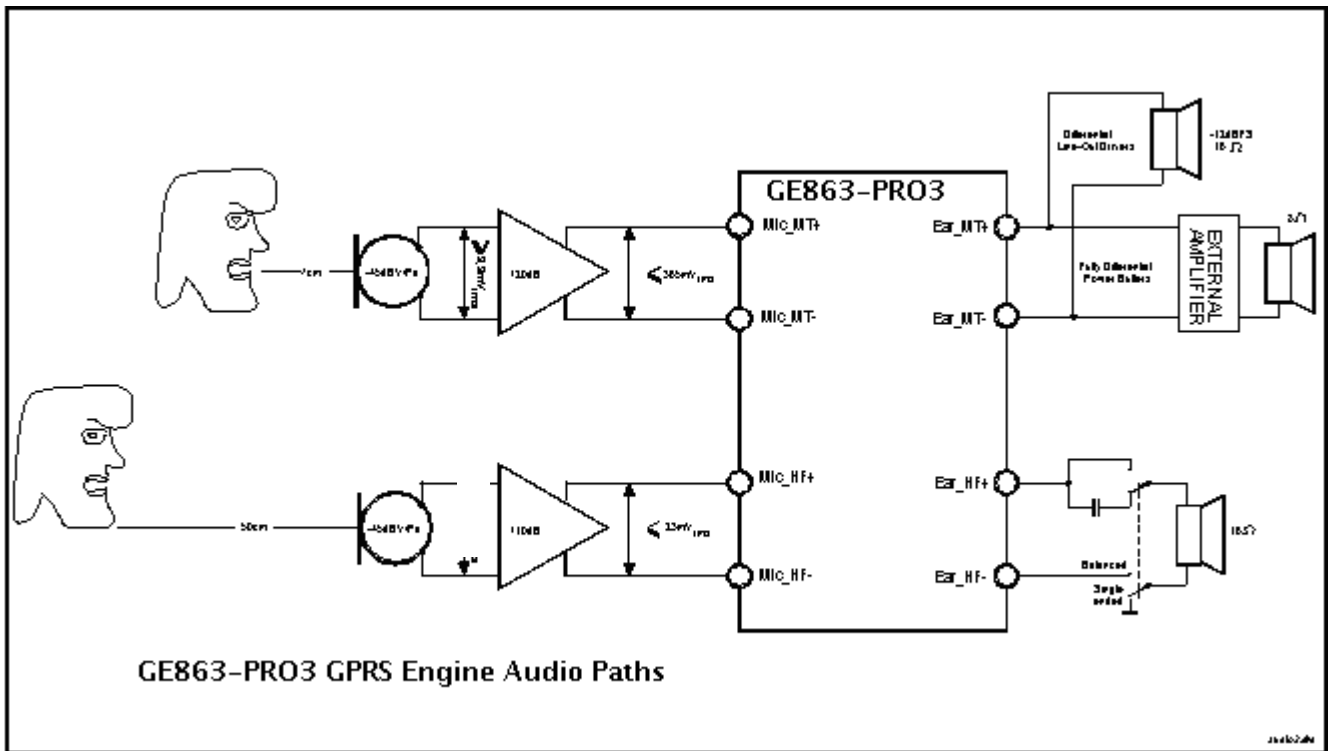


8 Audio Section Overview

The Base Band Chip of the GE863-PRO³ GSM/GPRS engine provides two different audio blocks; both in transmit (*Uplink*) and in receive (*Downlink*) direction:

“*MT lines*” should be used for handset function,
“*HF lines*” is suited for hands -free function (car kit).

These two blocks can be active only one at a time, selectable by AT command. The audio characteristics are equivalent in transmit blocks, but are different in the receive ones and this should be kept in mind when designing.



8.1.2 Input Lines Characteristics

“MIC_MT” 1st differential microphone path	
Line Coupling	AC*
Line Type	Balanced
Coupling capacitor	≥ 100nF
Differential input resistance	50kΩ
Differential input voltage	≤ 1,03V _{pp} (365mV _{rms})
Microphone nominal sensitivity	-45 dBV _{rms} /Pa
Analog gain suggested	+ 20dB
Echo canceller type	Handset

“MIC_HF” 2nd differential microphone path	
Line Coupling	AC*
Line Type	Balanced
Coupling capacitor	≥ 100nF
Differential input resistance	50kΩ
Differential input voltage	≤ 65mV _{pp} (23mV _{rms})
Microphone nominal sensitivity	-45 dBV _{rms} /Pa
Analog gain suggested	+10dB
Echo canceller type	Car kit hands-free



(*) WARNING: AC means that the signals from microphone has to be connected to input lines of the module by a CAPACITOR, which value must be ≥ 100nF. Not respecting this constraint, the input stage will be damaged.



8.2.2 Output Lines Characteristics

"EAR_MT" Differential Line-out Drivers Path	
Line Coupling	DC
Line Type	Bridged
Output load resistance	$\geq 14 \Omega$
Internal output resistance	4 Ω (typical)
Signal bandwidth	150 – 4000 Hz @ -3 dB
Differential output voltage	328mV _{rms} /16 Ω @ -12dBFS
SW volume level step	- 2 dB
Number of SW volume steps	10

"EAR_HF" Power Buffers Path	
Line Coupling	DC
Line Type	Bridged
Output load resistance	$\geq 14 \Omega$
Internal output resistance	4 Ω (>1,7 Ω)
Signal bandwidth	150 – 4000 Hz @ -3 dB
Max Differential output voltage	1310 mV _{rms} (typ, open circuit)
Max Single Ended output voltage	656 mV _{rms} (typ, open circuit)
SW volume level step	- 2 dB
Number of SW volume steps	10

NOTE: For more detailed information about audio please consult Audio Settings Application Note 80000nt10007a.



9 The Evaluation Kit for Telit GE863-PRO³ Modules

9.1.1 Short Description

Telit supplies the Evaluation Kit for Telit GE863-PRO³ modules *to assist the designer in developing his own applications based on GE863-PRO³ Telit module.*

The GE863-PRO³ *EVK* is formed by a mother board *and a dedicated Telit module Interface Board with RF antenna connectors.*

It provides a fully functional solution for a complete M2M application.

The motherboard has a power supply and is equipped with SIM card housing, RS 232 serial port level translator, direct USB2.0 Host & Device connection, Smartcard ISO7816 slot, SD-MMC Card slot and 10/100 Mb Ethernet.

The only items you have to provide are:

- 1) a personal computer or microcontroller ;
- 2) a SIM card with a valid Network subscription;
- 3) a power supply

The connection between the GE863-PRO³ *EVK* and your PC (or other DTE) are realized by standard RS232 ports.

The communications between the application ARM and Telit GSM/GPRS engine is realized connecting the Asynchronous Serial Interfaces of the module's ARM&GSM/GPRS by setting appropriately the Jumpers.

Furthermore the communications between ARM and GSM/GPRS can be analyzed with two "sniffed" serial ports that can report both sides of the ARM-GSM/GPRS serial channel.



10.5 Using the Alarm Output

The GSM/GPRS engine GPIO pads, when configured as Alarm Output, can be controlled by the GE863-PRO³ module and will rise when the alarm starts and fall after the issue of a dedicated AT command.

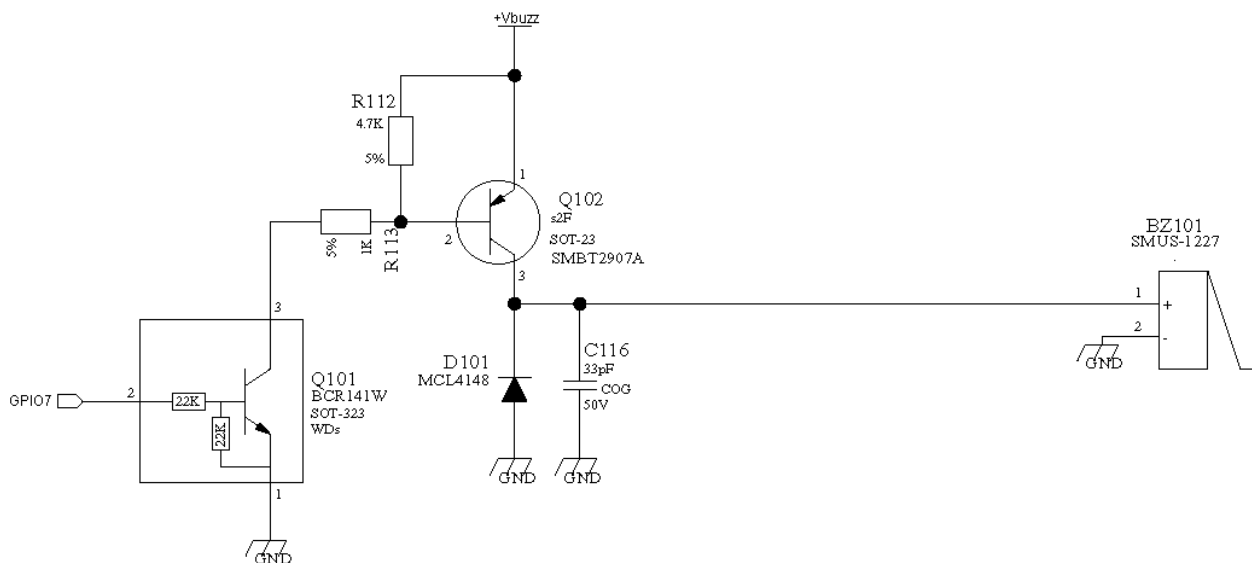
This output can be used to power up the GE863-PRO³ application processor at the alarm time, giving you the possibility to program a timely system wake-up to achieve some periodic actions and completely turn off both the application processor and the GE863-PRO³ during sleep periods, dramatically reducing the sleep consumption to few μA .

In battery-powered devices this feature will greatly improve the autonomy of the device.

10.6 Using the Buzzer Output GPIO4

The GPIO4 pad, when configured as Buzzer Output, is controlled by the GE863-PRO³ module and will drive with appropriate square waves a Buzzer driver.

This permits to your application to easily implement Buzzer feature with ringing tones or melody played at the call incoming, tone playing on SMS incoming or simply playing a tone or melody when needed by your application.



A sample interface scheme is included below to give you an idea of how to interface a Buzzer to the GPIO7:



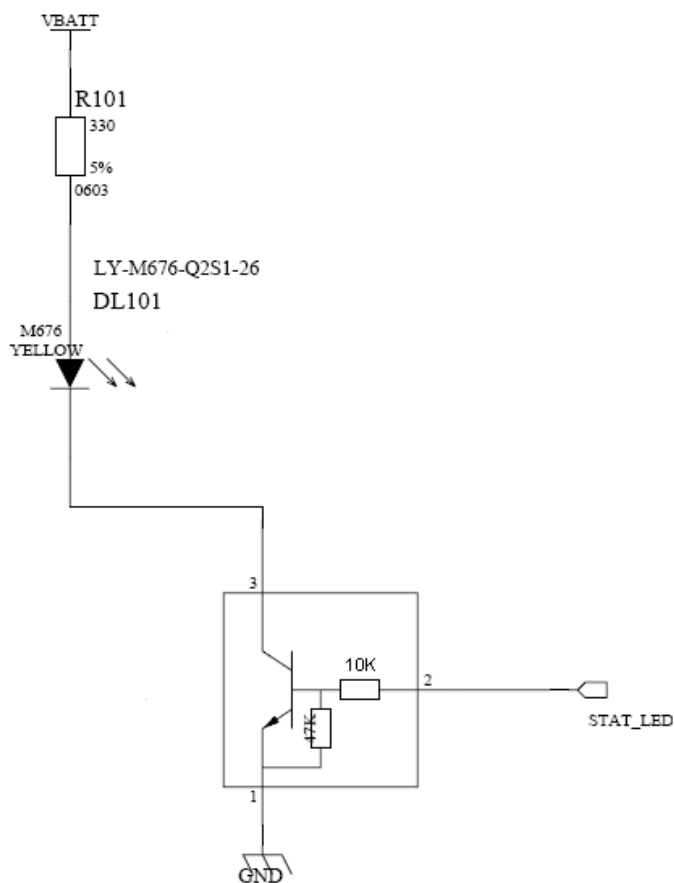
NOTE: To correctly drive a buzzer a driver must be provided, its characteristics depend on the Buzzer and for them refer to your buzzer vendor.



10.7 Indication of network service availability

The STAT_LED pin status shows information on the network service availability and Call status. In the GE863 modules, the STAT_LED usually needs an external transistor to drive an external LED. Therefore, the status indicated in the following table is reversed with respect to the pin status.

LED status	Device Status
Permanently off	Device off
Fast blinking (Period 1s, Ton 0,5s)	Net search / Not registered / turning off
Slow blinking (Period 3s, Ton 0,3s)	Registered full service
Permanently on	a call is active



10.8 RTC Bypass out

The VRTC pin brings out the Real Time Clock supply, which is separate from the rest of the digital part, allowing having only RTC going on when all the other parts of the device are off. To this power output a backup capacitor can be added in order to increase the RTC autonomy during power off of the battery. NO Devices must be powered from this pin.

10.9 VAUX1 power output

A regulated power supply output is provided in order to supply small devices from the module. This output is active when the module is ON and goes OFF when the module is shut down. The operating range characteristics of the supply are:

Operating Range – VAUX1 power supply

	Min	Typical	Max
Output voltage	2.75V	2.85V	2.95V
Output current			100mA
Output bypass capacitor			2.2μF



11 Mounting the GE863-PRO³ on the Application Board

11.1 General

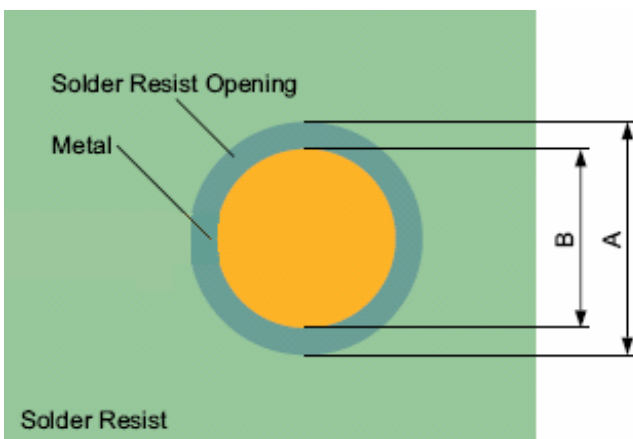
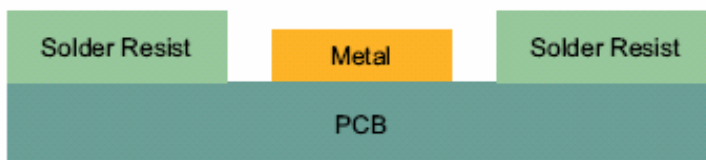
The [Telit GE863-PRO³ module](#) has been designed in order to be compliant with a standard lead-free SMT process

11.1.1 Stencil

Stencil's apertures layout can be the same of the recommended footprint (1:1), we suggest a thickness of stencil foil $\geq 120\mu\text{m}$.

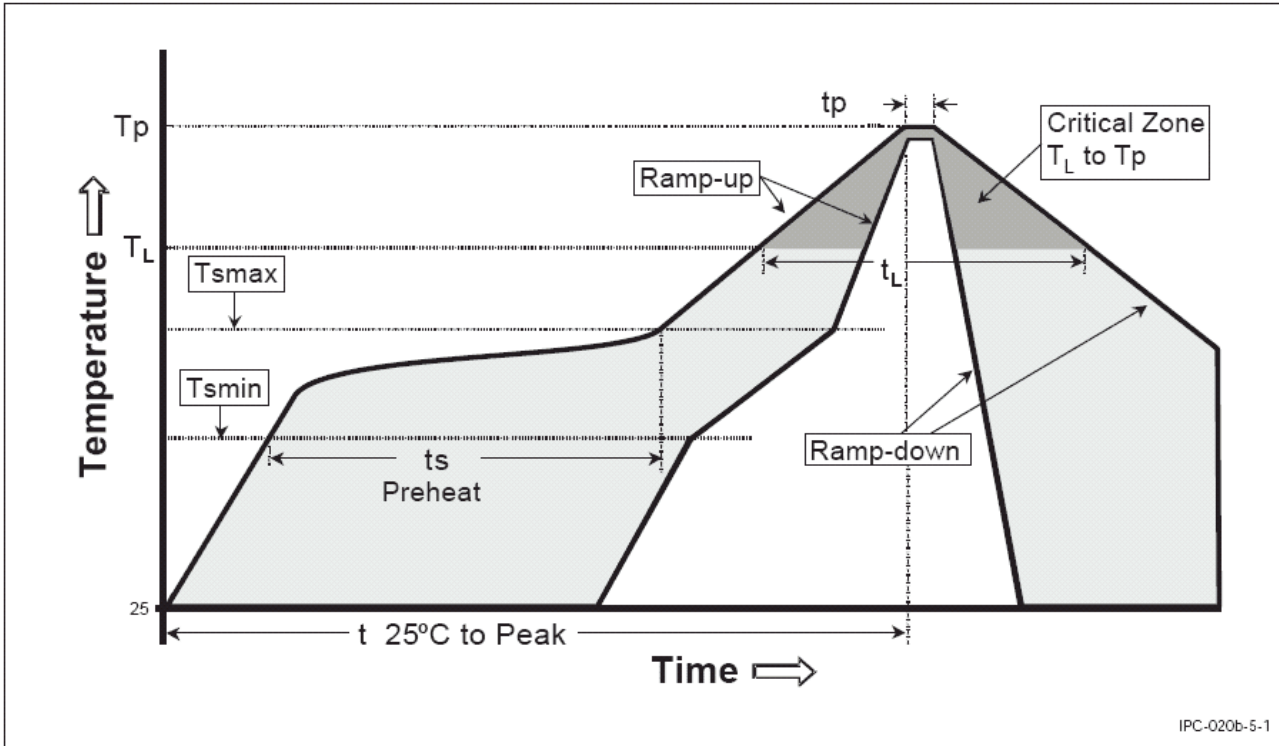
11.1.2 PCB pad Design

"Non solder mask defined" (NSMD) type is recommended for the solder pads on the PCB.



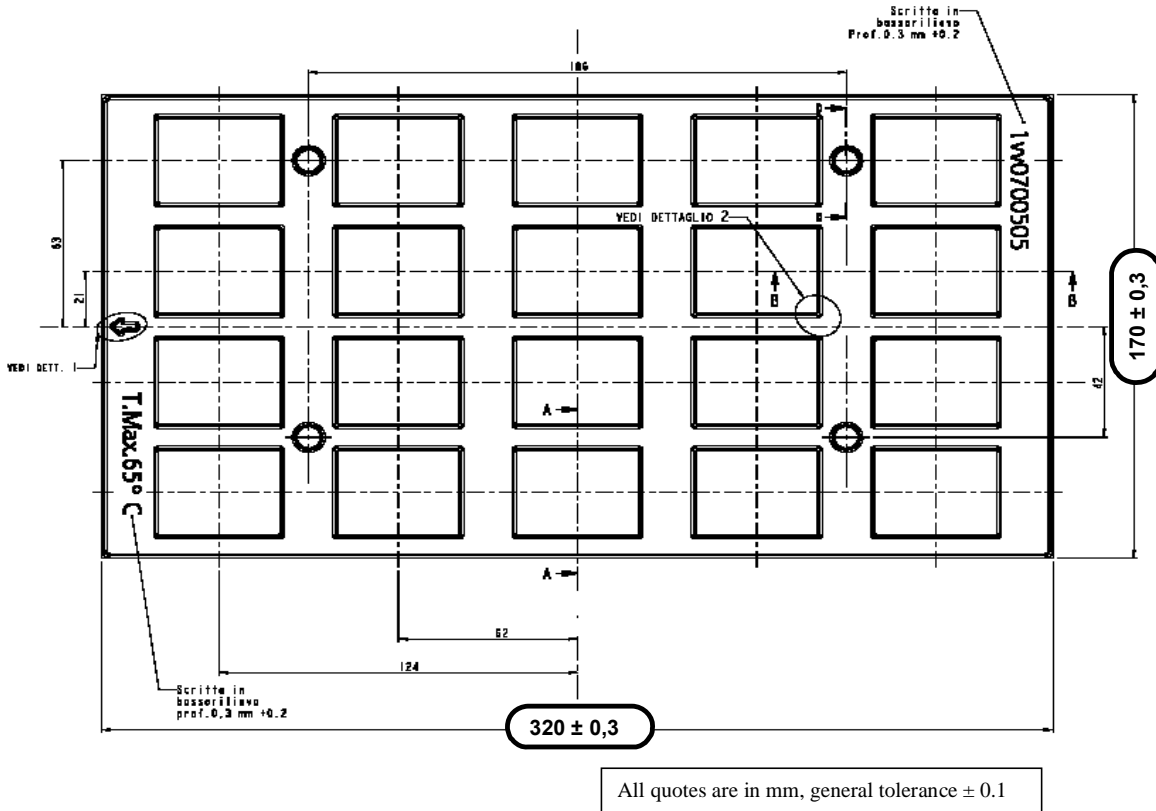
11.1.4 GE863-PRO³ Solder Reflow

The following is the recommended solder reflow profile

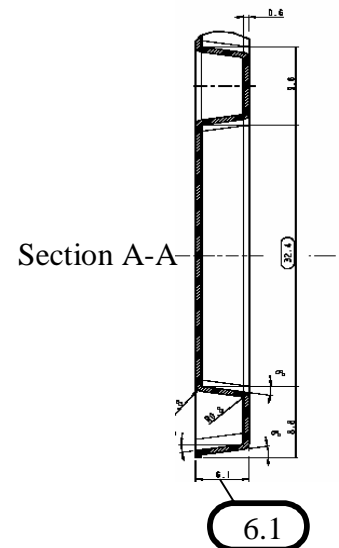


11.1.5 Packing System

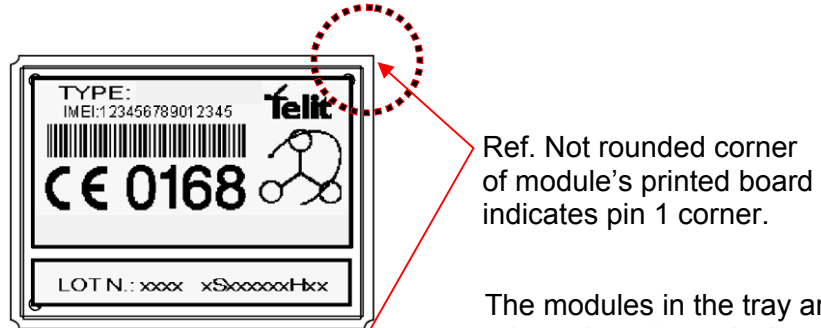
According to SMT processes for pick & place movement requirements, **Telit GE863-PRO³ modules** are packaged on trays, each tray contains 20 pieces. Tray dimensions are:



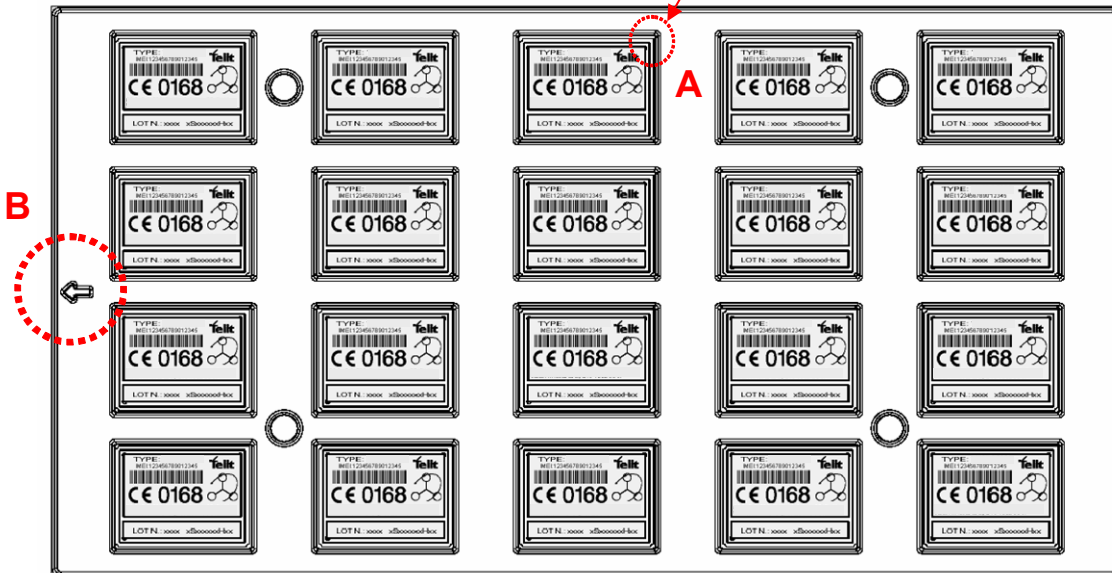
Note that trays can withstand a maximum temperature of 65° C.



Modules orientation on tray:



The modules in the tray are oriented as shown in **A** and the tray is oriented toward left as shown in **B**.



12 Conformity Assessment Issues

The GE863-PRO³ module is assessed to be conform to the R&TTE Directive as stand-alone products, so if the module is installed in conformance with Dai Telecom installation instructions require no further evaluation under Article 3.2 of the R&TTE Directive and do not require further involvement of a R&TTE Directive Notified Body for the final product.

In all other cases, or if the manufacturer of the final product is in doubt then the equipment integrating the radio module must be assessed against Article 3.2 of the R&TTE Directive.

In all cases assessment of the final product must be made against the Essential requirements of the R&TTE Directive Articles 3.1(a) and (b), safety and EMC respectively, and any relevant Article 3.3 requirements.

The GE863-PRO³ module is conformed with the following European Union Directives:

- R&TTE Directive 1999/5/EC (Radio Equipment & Telecommunications Terminal Equipments)
- Low Voltage Directive 73/23/EEC and product safety
- Directive 89/336/EEC for conformity for EMC

In order to satisfy the essential requisite of the R&TTE 99/5/EC directive, the GE863-PRO³ module is compliant with the following standards:

- GSM (Radio Spectrum). Standard: EN 301 511 and 3GPP 51.010-1
- EMC (Electromagnetic Compatibility). Standards: EN 301 489-1 and EN 301 489-7
- LVD (Low Voltage Directive) Standards: EN 60 950

In this document and the Hardware User Guide, Software User Guide all the information you may need for developing a product meeting the R&TTE Directive is included.

The GE863-PRO³ module is conformed with the following US Directives:

- Use of RF Spectrum. Standards: FCC 47 Part 24 (GSM 1900)
- EMC (Electromagnetic Compatibility). Standards: FCC47 Part 15

To meet the FCC's RF exposure rules and regulations:

- The system antenna(s) used for this transmitter must be installed to provide a separation distance of at least 20 cm from all the persons and must not be co-located or operating in conjunction with any other antenna or transmitter.
- The system antenna(s) used for this module must not exceed 3 dBi for mobile and fixed or mobile operating configurations.
- Users and installers must be provided with antenna installation instructions and transmitter operating conditions for satisfying RF exposure compliance.

Manufacturers of mobile, fixed or portable devices incorporating this module are advised to clarify any regulatory questions and to have their complete product tested and approved for FCC compliance.



Free Manuals Download Website

<http://myh66.com>

<http://usermanuals.us>

<http://www.somanuals.com>

<http://www.4manuals.cc>

<http://www.manual-lib.com>

<http://www.404manual.com>

<http://www.luxmanual.com>

<http://aubethermostatmanual.com>

Golf course search by state

<http://golfingnear.com>

Email search by domain

<http://emailbydomain.com>

Auto manuals search

<http://auto.somanuals.com>

TV manuals search

<http://tv.somanuals.com>