

# GM862-GPS Hardware User Guide

GM862-GPS HW User Guide  
1v0300728 Rev. 0 - 27/04/06



**Making machines talk.**

## Contents

<b>1</b>	<b>Overview</b>	<b>4</b>
<b>2</b>	<b>Hardware Commands</b>	<b>5</b>
2.1	<b>Turning ON the GM862-GPS</b>	<b>5</b>
2.2	<b>Turning OFF the GM862-GPS</b>	<b>7</b>
2.2.1	Hardware shutdown	7
2.2.2	Hardware Unconditional Reboot	8
<b>3</b>	<b>Power Supply</b>	<b>10</b>
3.1	<b>Power Supply Requirements</b>	<b>10</b>
3.2	<b>General Design Rules</b>	<b>11</b>
3.2.1	Electrical design Guidelines	11
3.2.1.1	+ 5V input Source Power Supply Design Guidelines	11
3.2.1.2	+ 12V input Source Power Supply Design Guidelines	13
3.2.1.3	Battery Source Power Supply Design Guidelines	14
3.2.1.4	Battery Charge control Circuitry Design Guidelines	15
3.2.2	Thermal Design Guidelines	17
3.2.3	Power Supply PCB layout Guidelines	18
<b>4</b>	<b>Serial Ports</b>	<b>19</b>
4.1	<b>level translation</b>	<b>21</b>
4.2	<b>5V UART level translation</b>	<b>23</b>
<b>5</b>	<b>Audio Section Overview</b>	<b>25</b>
5.1	<b>Microphone paths characteristic and requirements</b>	<b>27</b>
5.2	<b>General Design Rules</b>	<b>30</b>
5.3	<b>Other considerations</b>	<b>30</b>
5.4	<b>Microphone Biasing</b>	<b>31</b>
5.4.1	Balanced Microphone biasing	31
5.4.2	Unbalanced Microphone biasing	32
5.5	<b>Microphone buffering</b>	<b>34</b>
5.5.1	Buffered Balanced Mic	34
5.5.2	Buffered Unbalanced (Single Ended) Microphone	36
<b>6</b>	<b>OUTPUT LINES (Speaker)</b>	<b>39</b>
6.1	<b>Short description</b>	<b>39</b>
6.2	<b>Output lines characteristics</b>	<b>40</b>
6.3	<b>General Design rules</b>	<b>41</b>





# 1 Overview

The aim of this document is the description of some hardware solutions useful for developing a product with the **Telit GM862-GPS modules**.

In this document all the basic functions of a mobile phone will be taken into account; for each one of them a proper hardware solution will be suggested and eventually the wrong solutions and common errors to be avoided will be evidenced. Obviously this document can not embrace the whole hardware solutions and products that may be designed. The wrong solutions to be avoided shall be considered as mandatory, while the suggested hardware configurations shall not be considered mandatory, instead the information given shall be used as a guide and a starting point for properly developing your product with the **Telit GM862-GPS modules**. For further hardware details that may not be explained in this document refer to the GM862-GPS/-QUAD-PY Product Description document where all the hardware information is reported.

---

*NOTE: In this document all the hardware solution are referenced to the GM862-GPS.*

---

### NOTE

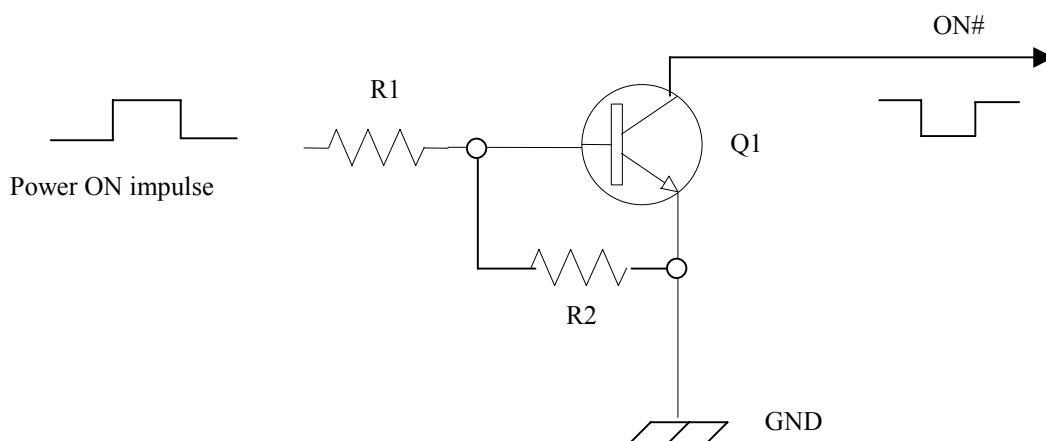
*The information presented in this document is believed to be accurate and reliable. However, no responsibility is assumed by Telit Communications S.p.A. for its use, nor any infringement of patents or other rights of third parties which may result from its use. No license is granted by implication or otherwise under any patent rights of Telit Communications S.p.A. other than for circuitry embodied in Telit products. This document is subject to change without notice.*



## 2 Hardware Commands

### 2.1 Turning ON the GM862-GPS

To turn on the GM862-GPS the pin ON# must be tied low for at least 1 second and then released. The maximum current that can be drained from the ON# pin is 0,1 mA. A simple circuit to do it is:



**NOTE:** don't use any pull up resistor on the ON# line, it is internally pulled up. Using pull up resistor may bring to latch up problems on the GM862-GPS power regulator and improper power on/off of the module. The line ON# must be connected only in open collector configuration.

**NOTE:** In this document all the lines that are inverted, hence have active low signals are labeled with a name that ends with a "#" or with a bar over the name.

**TIP:** To check if power has raised it is possible to monitor the START line, when this line goes high the module is powered on, but before it remains on the device needs other 900 ms for software startup. Hence check the PWRCTL line and 900 ms after its transition to high it is possible to release the ON# pin.

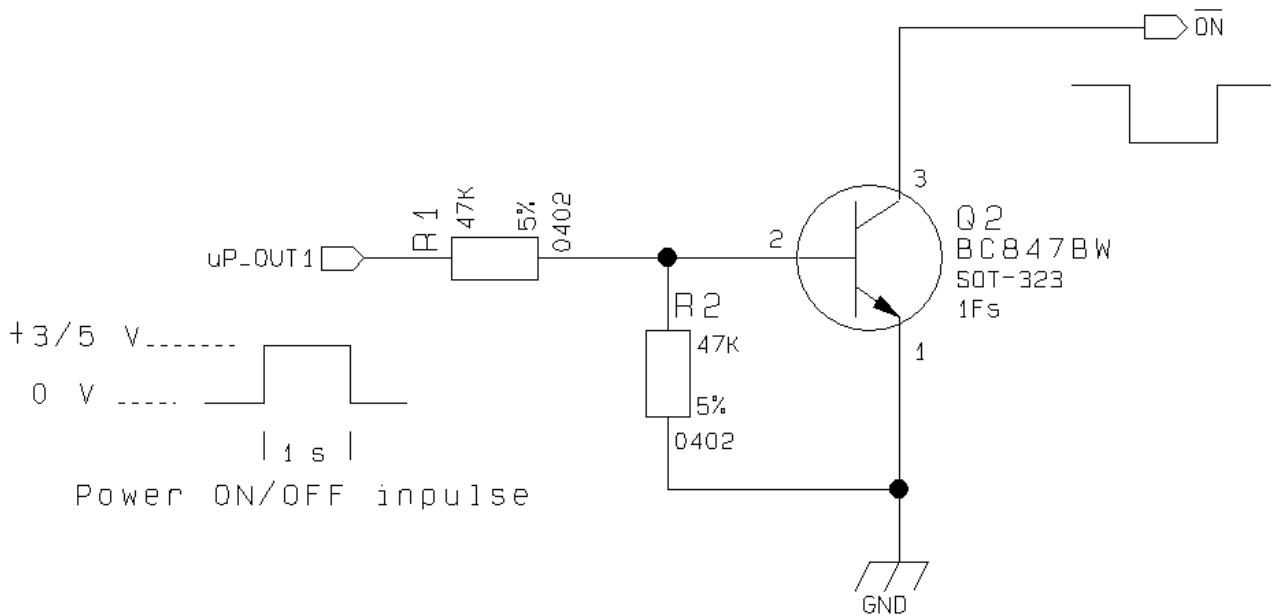


### GM862-GPS Hardware User Guide

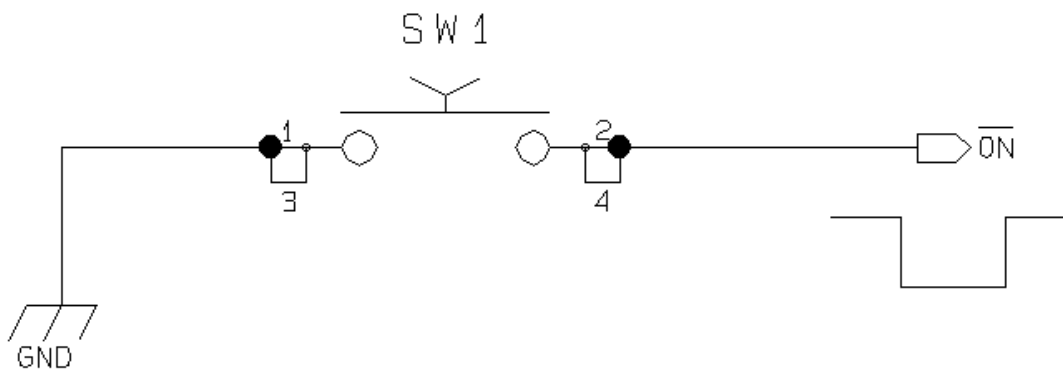
1v0300728 Rev. 0 - 27/04/06

For example:

1- Let's assume you need to drive the ON# pin with a totem pole output of a +3/5 V microcontroller (uP\_OUT1):



2- Let's assume you need to drive the ON# pin directly with an ON/OFF button:



## 2.2 Turning OFF the GM862-GPS

The turning off of the device can be done in two ways:

- by software command (see GM862-GPS Software User Guide)
- by hardware shutdown

When the device is shut down by software command or by hardware shutdown, it issues to the network a detach request that informs the network that the device will not be reachable any more. The hardware unconditional shutdown does not issue this request and shuts down immediately the device.

### 2.2.1 Hardware shutdown

To turn OFF the GM862-GPS the pin ON# must be tied low for at least 1 second and then released.

The same circuitry and timing for the power on shall be used.

The device shuts down after the release of the ON# pin.



---

**TIP:** To check if the device has powered off, the hardware line PWRCTL should be monitored. When PWRCTL goes low, the device has powered off.

---



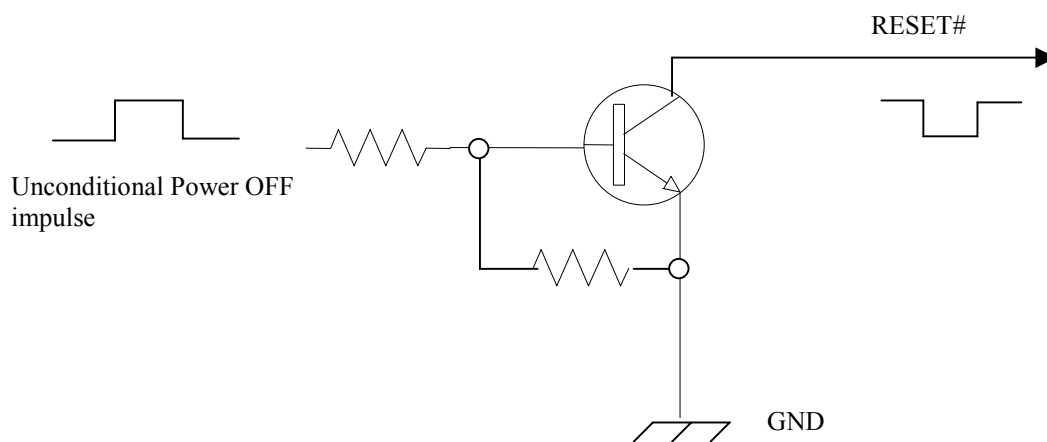


## 2.2.2 Hardware Unconditional Reboot

To unconditionally Reboot the GM862-GPS the pin RESET# must be tied low for at least 200 milliseconds and then released.

The maximum current that can be drained from the ON# pin is 0,15 mA.

A simple circuit to do it is:



**NOTE:** don't use any pull up resistor on the RESET# line nor any totem pole digital output. Using pull up resistor may bring to latch up problems on the GM862-GPS power regulator and improper functioning of the module. The line RESET# must be connected only in open collector configuration.



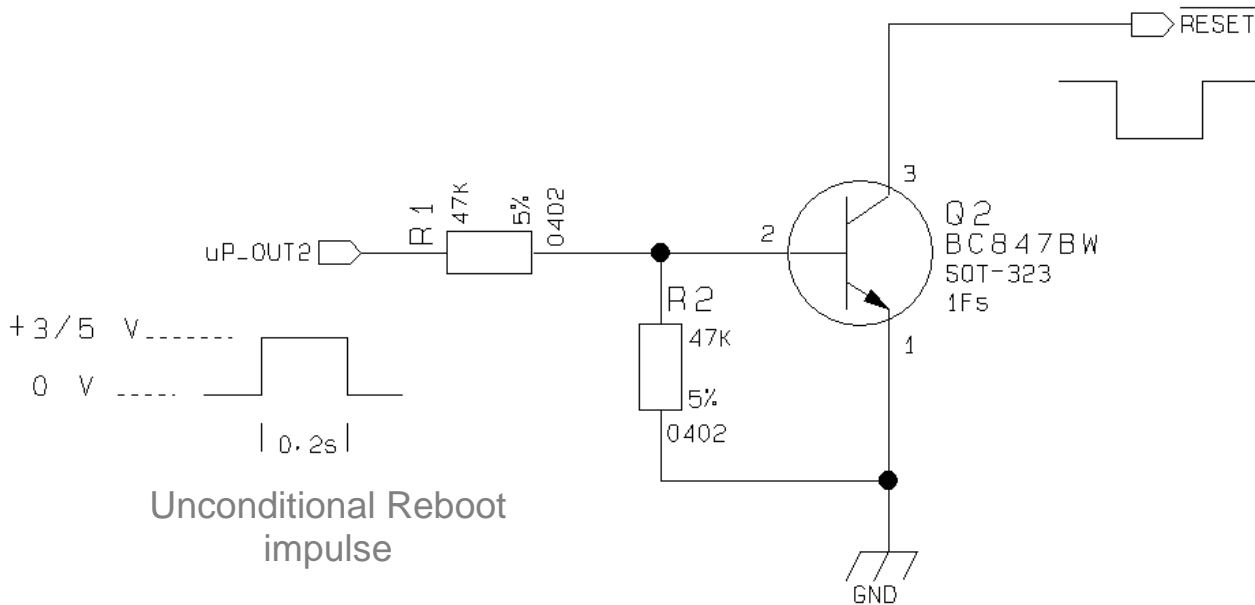
**TIP:** The unconditional hardware reset should be always implemented on the boards and software should use it as an emergency exit procedure.





For example:

1- Let's assume you need to drive the RESET# pin with a totem pole output of a +3/5 V microcontroller (uP\_OUT2):



The hardware unconditional reboot must not be used during normal operation of the device since it does not detach the device from the network. It shall be kept as an emergency exit procedure to be done in the rare case that the device gets stacked waiting for some network or SIM responses. If device does not respond to a command in the timeout window, retry issuing the command and if still no response is received a hardware unconditional reboot shall be issued.



## 3 Power Supply

The power supply circuitry and board layout are the most important part in the full product design and they strongly reflect on the product overall performances, hence read carefully the requirements and the guidelines that will follow for a proper design.

### 3.1 Power Supply Requirements

The GM862-GPS power requirements are:

- |   |               |
|---|---------------|
| • <i>Nominal Supply Voltage:</i>  | 3.8 V         |
| • <i>Max Supply Voltage:</i>  | 4.2 V         |
| • <i>Supply voltage range:</i>  | 3.4 V - 4.2 V |
| • <i>Max Peak current consumption (impulsive):</i>                            | 1.9 A         |
| • <i>Max Average current consumption during GPRS transmission (rms):</i>      | 500 mA        |
| • <i>Max Average current consumption during VOICE/CSD transmission (rms):</i> | 270 mA        |
| • <i>Average current during Power Saving:</i>                                 | ≈ 4 mA        |
| • <i>Average current during idle (Power Saving disabled)</i>                  | ≈ 19 mA       |
| • <i>GPS Max Peak current consumption:</i>                                    | 80 mA         |
| • <i>GPS Max Average current consumption during Tracking:</i>                 | 60 mA         |
| • <i>GPS Average current during Power Saving:</i>                             | ≈ 1 mA        |
| • <i>GPS antenna consumption (external active antenna)</i>                    | ≈ 20 mA       |

The GSM system is made in a way that the RF transmission is not continuous, else it is packed into bursts at a base frequency of about 216 Hz, the relative current peaks can be as high as about 2A. Therefore the power supply has to be designed in order to withstand with these current peaks without big voltage drops; this means that both the electrical design and the board layout must be designed for this current flow.

If the layout of the PCB is not well designed a strong noise floor is generated on the ground and the supply; this will reflect on all the audio paths producing an audible annoying noise at 216 Hz; if the voltage drop during the peak current absorption is too much, then the device may even shutdown as a consequence of the supply voltage drop.



**TIP: The electrical design for the Power supply should be made ensuring it will be capable of a peak current output of at least 2 A.**



## 3.2 General Design Rules

The principal guidelines for the Power Supply Design embrace three different design steps:

- the electrical design
- the thermal design.
- the PCB layout.

### 3.2.1 Electrical design Guidelines

The electrical design of the power supply depends strongly from the power source where this power is drained. We will distinguish them into three categories:

- +5V input (typically PC internal regulator output)
- +12V input (typically automotive)
- Battery

#### 3.2.1.1 + 5V input Source Power Supply Design Guidelines

- The desired output for the power supply is 3.8V, hence there's not a big difference between the input source and the desired output and a linear regulator can be used. A switching power supply will not be suited because of the low drop out requirements.
- When using a linear regulator, a proper heat sink shall be provided in order to dissipate the power generated.
- A Bypass low ESR capacitor of adequate capacity must be provided in order to cut the current absorption peaks close to the GM862-GPS, a 100 $\mu$ F tantalum capacitor is usually suited.
- Make sure the low ESR capacitor on the power supply output (usually a tantalum one) is rated at least 10V.
- A protection diode should be inserted close to the power input, in order to save the GM862-GPS from power polarity inversion.





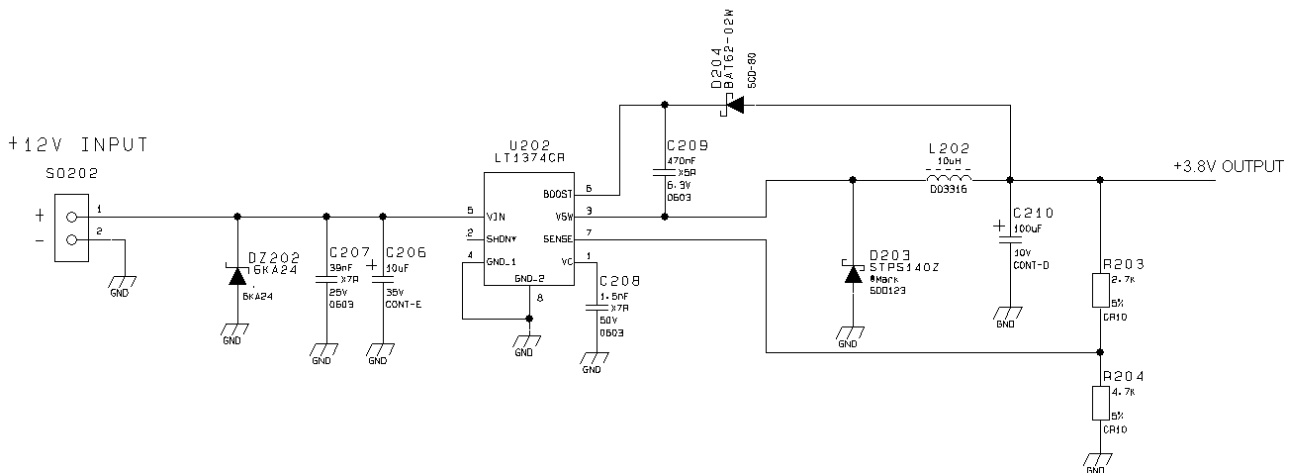
### 3.2.1.2 + 12V input Source Power Supply Design Guidelines

- The desired output for the power supply is 3.8V, hence due to the big difference between the input source and the desired output, a linear regulator is not suited and shall not be used. A switching power supply will be preferable because of its better efficiency especially with the 2A peak current load represented by the GM862-GPS.
- When using a switching regulator, a 500Khz switching frequency regulator is preferable because of its smaller inductor size and its faster transient response. This allows the regulator to respond quickly to the current peaks absorption.
- For car PB battery the input voltage can rise up to 15,8V and this should be kept in mind when choosing components: all components in the power supply must withstand this voltage.
- A Bypass low ESR capacitor of adequate capacity must be provided in order to cut the current absorption peaks, a 100µF tantalum capacitor is usually suited.
- Make sure the low ESR capacitor on the power supply output (usually a tantalum one) is rated at least 10V.
- For Car applications a spike protection diode should be inserted close to the power input, in order to clean the supply from spikes.
- A protection diode should be inserted close to the power input, in order to save the GM862-GPS from power polarity inversion. This can be the same diode as for spike protection.



An example of switching regulator with 12V input is:

+12V input switching regulator



### 3.2.1.3 Battery Source Power Supply Design Guidelines

- The desired nominal output for the power supply is 3.8V and the maximum voltage allowed is 4.2V, hence a single 3.7V Li-Ion cell battery type is suited for supplying the power to the Telit GM862-GPS module.  
The three cells Ni/Cd or Ni/MH 3,6 V Nom. battery types or 4V PB types **MUST NOT BE USED** since their maximum voltage can rise over the absolute maximum voltage for the GM862-GPS and damage it.

**NOTE: DON'T USE any Ni-Cd, Ni-MH, and Pb battery types. Their use can lead to overvoltage on the GM862-GPS and damage it. USE ONLY Rechargeable Li-Ion battery types.**

- A Bypass low ESR capacitor of adequate capacity must be provided in order to cut the current absorption peaks, a 100µF tantalum capacitor is usually suited.
- Make sure the low ESR capacitor (usually a tantalum one) is rated at least 10V.
- A protection diode should be inserted close to the power input, in order to save the GM862-GPS from power polarity inversion. Otherwise the battery connector should be done in a way to avoid polarity inversions when connecting the battery.
- The battery capacity must be at least 500mAh in order to withstand the current peaks of 2A; the suggested capacity is from 500mAh to 1000mAh.





### 3.2.1.4 Battery Charge control Circuitry Design Guidelines

The charging process for Li-Ion Batteries can be divided into 4 phases:

- Qualification and trickle charging
- Fast charge 1 - constant current
- Final charge - constant voltage or pulsed charging
- Maintenance charge

The qualification process consists in a battery voltage measure, indicating roughly its charge status. If the battery is deeply discharged, that means its voltage is lower than the trickle charging threshold, then the charge must start slowly possibly with a current limited pre-charging process where the current is kept very low with respect to the fast charge value: the trickle charging.

During the trickle charging the voltage across the battery terminals rises; when it reaches the fast charge threshold level the charging process goes into fast charge phase.

During the fast charge phase the process proceeds with a current limited charging; this current limit depends on the required time for the complete charge and from the battery pack capacity. During this phase the voltage across the battery terminals still raises but at a lower rate.

Once the battery voltage reaches its maximum voltage then the process goes into its third state: Final charging. The voltage measure to change the process status into final charge is very important. It must be ensured that the maximum battery voltage is never exceeded, otherwise the battery may be damaged and even explode. Moreover for the constant voltage final chargers, the constant voltage phase (final charge) must not start before the battery voltage has reached its maximum value, otherwise the battery capacity will be highly reduced.

The final charge can be of two different types: constant voltage or pulsed.

The constant voltage charge proceeds with a fixed voltage regulator (very accurately set to the maximum battery voltage) and hence the current will decrease while the battery is becoming charged. When the charging current falls below a certain fraction of the fast charge current value, then the battery is considered fully charged, the final charge stops and eventually starts the maintenance.

The pulsed charge process has no voltage regulation, instead the charge continues with pulses. Usually the pulse charge works in the following manner: the charge is stopped for some time, let's say few hundreds of ms, then the battery voltage will be measured and when it drops below its maximum value a fixed time length charging pulse is issued. As the battery approaches its full charge the off time will become longer, hence the duty-cycle of the pulses will decrease. The battery is considered fully charged when the pulse duty-cycle is less than a threshold value, typically 10%, the pulse charge stops and eventually the maintenance starts.

The last phase is not properly a charging phase, since the battery at this point is fully charged and the process may stop after the final charge. The maintenance charge provides an additional charging process to compensate for the charge leak typical of a Li-Ion battery. It is done by issuing pulses with a fixed time length, again few hundreds of ms, and a duty-cycle around 5% or less.

This last phase is not implemented in the GM862-GPS internal charging algorithm, so that the battery once charged is left discharging down to a certain threshold so that it is cycled from full charge to slight discharge even if the battery charger is always inserted. This guarantees that anyway the remaining charge in the battery is a good percentage and that the battery is not damaged by keeping it always fully charged (Li-Ion rechargeable battery usually deteriorate when kept fully charged).

Last but not least, in some applications it is highly desired that the charging process restarts when the battery is discharged and its voltage drops below a certain threshold, GM862-GPS internal charger does it.





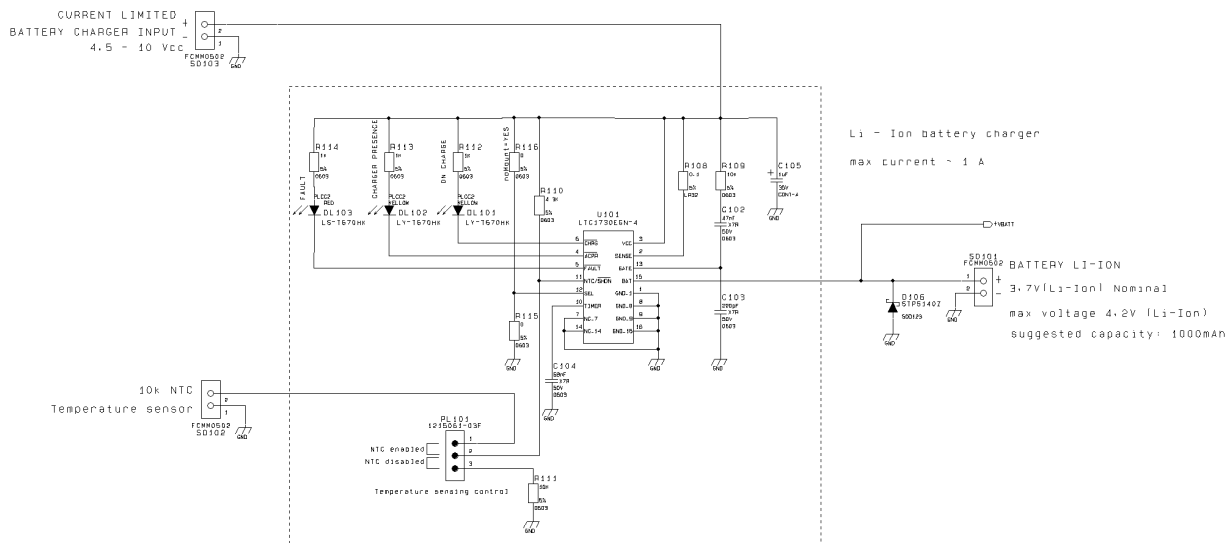
## GM862-GPS Hardware User Guide

1v0300728 Rev. 0 - 27/04/06

As you can see, the charging process is not a trivial task to be done; moreover all these operations should start only if battery temperature is inside a charging range, usually 5°C - 45°C.

The GM862-GPS measures the temperature of its internal component, in order to satisfy this last requirement, it's not exactly the same as the battery temperature but in common application the two temperature should not differ too much and the charging temperature range should be guaranteed.

An example of battery charger can be:



**NOTE:** In this particular application the battery charger input current must be limited to less than 1A. This can be done by using a current limited wall adapter as the power source.

For your convenience in the EVK there's also a current unlimited input, where the input source is not limited in current and the drawn current is limited to about 0,5A by a MOSFET in the EVK.



### 3.2.2 Thermal Design Guidelines

The thermal design for the power supply heat sink should be done with the following specifications:

- Average current consumption during transmission @PWR level max (rms): 500mA
- Average current consumption during transmission @ PWR level min (rms): 100mA
- Average current during Power Saving: 4mA
- Average current during idle (Power Saving disabled): 19mA
- Average GPS current during Power Saving: 1mA
- Average GPS current during Tracking (Power Saving disabled): 60mA



**NOTE:** The average consumption during transmissions depends on the power level at which the device is requested to transmit by the network. The average current consumption hence varies significantly.



**TIP:** The thermal design for the Power supply should be made keeping a average consumption at the max transmitting level during calls of 350mA rms.

Considering the very low current during idle, especially if Power Saving function is enabled, it is possible to consider from the thermal point of view that the device absorbs current significantly only during calls.

If we assume that the device stays into transmission for short periods of time (let's say few minutes) and then remains for a quite long time in idle (let's say one hour), then the power supply has always the time to cool down between the calls and the heat sink could be smaller than the calculated one for 350mA maximum RMS current, or even could be the simple chip package (no heat sink).

Moreover in the average network conditions the device is requested to transmit at a lower power level than the maximum and hence the current consumption will be less than the 350mA, being usually around 150mA.

For these reasons the thermal design is rarely a concern and the simple ground plane where the power supply chip is placed can be enough to ensure a good thermal condition and avoid overheating.



### 3.2.3 Power Supply PCB layout Guidelines

As seen on the electrical design guidelines the power supply shall have a low ESR capacitor on the output to cut the current peaks and a protection diode on the input to protect the supply from spikes and polarity inversion. The placement of these components is crucial for the correct working of the circuitry. A misplaced component can be useless or can even decrease the power supply performances.

- The Bypass low ESR capacitor must be placed close to the Telit GM862-GPS power input pins or in the case the power supply is a switching type it can be placed close to the inductor to cut the ripple provided the PCB trace from the capacitor to the GM862-GPS is wide enough to ensure a dropless connection even during the 2A current peaks.
- The protection diode must be placed close to the input connector where the power source is drained.
- The PCB traces from the input connector to the power regulator IC must be wide enough to ensure no voltage drops occur when the 2A current peaks are absorbed. Note that this is not made in order to save power loss but especially to avoid the voltage drops on the power line at the current peaks frequency of 216 Hz that will reflect on all the components connected to that supply, introducing the noise floor at the burst base frequency. For this reason while a voltage drop of 300-400 mV may be acceptable from the power loss point of view, the same voltage drop may not be acceptable from the noise point of view. If your application doesn't have audio interface but only uses the data feature of the Telit GM862-GPS, then this noise is not so disturbing and power supply layout design can be more forgiving.
- The PCB traces to the GM862-GPS and the Bypass capacitor must be wide enough to ensure no voltage drops occur when the 2A current peaks are absorbed. This is for the same reason as previous point. Try to keep this trace as short as possible.
- The PCB traces connecting the Switching output to the inductor and the switching diode must be kept as short as possible by placing the inductor and the diode very close to the power switching IC (only for switching power supply). This is done in order to reduce the radiated field (noise) at the switching frequency (100-500 kHz usually).
- The use of a good common ground plane is suggested.
- The placement of the power supply on the board should be done in such a way to guarantee that the high current return paths in the ground plane are not overlapped to any noise sensitive circuitry as the microphone amplifier/buffer or earphone amplifier.
- The power supply input cables should be kept separate from noise sensitive lines such as microphone/earphone cables.



## 4 Serial Ports

The serial port on the Telit GM862-GPS is the core of the interface between the module and OEM hardware.

2 serial ports are available on the module:

- MODEM SERIAL PORT
- GPS SERIAL PORT (NMEA)

Several configurations can be designed for the serial port on the OEM hardware, but the most common are:

- RS232 PC com port
- microcontroller UART @ 2.8V - 3V (Universal Asynchronous Receive Transmit)
- microcontroller UART @ 5V or other voltages different from 2.8V

Depending from the type of serial port on the OEM hardware a level translator circuit may be needed to make the system work. The only configuration that doesn't need a level translation is the 2.8V UART.

The GPS Serial Port is a 3 wire (RX, TX GND) +2.8V UART.

The MODEM serial port on the GM862-GPS is a +2.8V UART with all the 7 RS232 signals. It differs from the PC-RS232 in the signal polarity (RS232 is reversed) and levels. The levels for the GM862-GPS UART are the CMOS levels:

### Absolute Maximum Ratings -Not Functional

Parameter	Min	Max
Input level on any digital pin when on	-0.3V	+3.75V
Input voltage on analog pins when on	-0.3V	+3.0 V

### Operating Range - Interface levels (2.8V CMOS)

Level	Min	Max
Input high level $V_{IH}$	2.1V	3.3V
Input low level $V_{IL}$	0V	0.5V
Output high level $V_{OH}$	2.2V	3.0V
Output low level $V_{OL}$	0V	0.35V



## GM862-GPS Hardware User Guide

1v0300728 Rev. 0 - 27/04/06

The signals of the GM862-GPS MODEM serial port are:

RS232 Pin Number	Signal	GM862-GPS Pin Number	Name	Usage
1	DCD - dcd_uart	36	Data Carrier Detect	Output from the GM862-GPS that indicates the carrier presence
2	RXD - tx_uart	37	Transmit line *see Note	Output transmit line of GM862-GPS UART
3	TXD - rx_uart	20	Receive line *see Note	Input receive of the GM862-GPS UART
4	DTR - dtr_uart	43	Data Terminal Ready	Input to the GM862-GPS that controls the DTE READY condition
5	GND	2-4-6-8	Ground	ground
6	DSR - dsr_uart	33	Data Set Ready	Output from the GM862-GPS that indicates the module is ready
7	RTS - rts_uart	45	Request to Send	Input to the GM862-GPS that controls the Hardware flow control
8	CTS - cts_uart	29	Clear to Send	Output from the GM862-GPS that controls the Hardware flow control
9	RI - ri_uart	30	Ring Indicator	Output from the GM862-GPS that indicates the incoming call condition



**NOTE:** According to V.24, RX/TX signal names are referred to the application side, therefore on the GM862-GPS side these signal are on the opposite direction: TXD on the application side will be connected to the receive line (here named TXD/ rx\_uart ) of the GM862-GPS serial port and viceversa for RX.



**TIP:** For a minimum implementation, only the TXD and RXD lines can be connected, the other lines can be left open provided a software flow control is implemented.

The signals in the UART connector on the EVK are:

DCD	RXD
TXD	DTR
GND	DSR
RTS	CTS
RI	GND

The signals of the GPS serial port are:





## GM862-GPS Hardware User Guide

1v0300728 Rev. 0 - 27/04/06

Signal	GM862-GPS Pin Number	Name	Usage
RX_GPS	41	GPS Transmit line	Output line of GPS serial Port (NMEA protocol)
TX_GPS	35	GPS Receive line	Input line of GPS serial Port (NMEA protocol)
GND	2-4-6-8	Ground	ground

The default configuration is 4800 bps, 8, n, 1

GPS RX Lines and TX lines may need a dual supply isolation buffer like an FXLP34 to avoid CMOS high states while in POWER SAVING.

## 4.1 level translation

In order to interface the Telit GM862-GPS with a PC com port or a RS232 (EIA/TIA-232) application a level translator is required. This level translator must

- invert the electrical signal in both directions
- change the level from 0/3V to +15/-15V

Actually, the RS232 UART 16450, 16550, 16650 & 16750 chipsets accept signals with lower levels on the RS232 side (EIA/TIA-562), allowing for a lower voltage-multiplying ratio on the level translator. Note that the negative signal voltage must be less than 0V and hence some sort of level translation is always required.

The simplest way to translate the levels and invert the signal is by using a single chip level translator. There are a multitude of them, differing in the number of driver and receiver and in the levels (be sure to get a true RS232 level translator not a RS485 or other standards).

By convention the driver is the level translator from the 0-3V UART level to the RS232 level, while the receiver is the translator from RS232 level to 0-3V UART.

In order to translate the whole set of control lines of the UART you will need:

- 5 driver
- 3 receiver



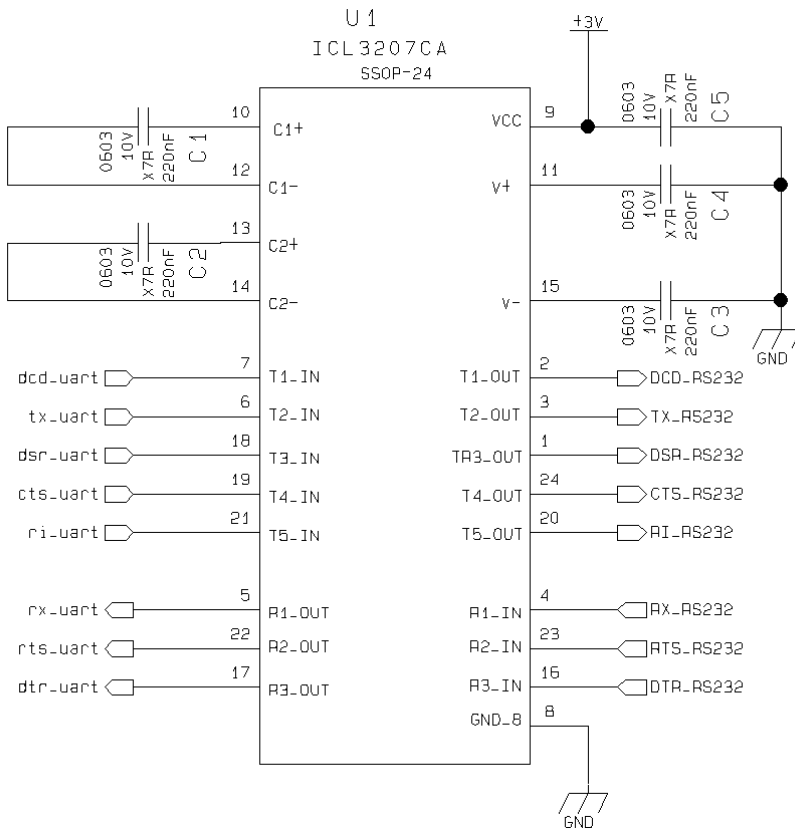
**NOTE: The digital input lines working at 2.8VCMOS have an absolute maximum input voltage of 3,75V; therefore the level translator IC shall not be powered by the +3.8V supply of the module. Instead it shall be powered from a +2.8V / +3.0V (dedicated) power supply.**

**This is because in this way the level translator IC outputs on the module side (i.e. GM862-GPS inputs) will work at +3.8V interface levels, stressing the module inputs at its maximum input voltage.**

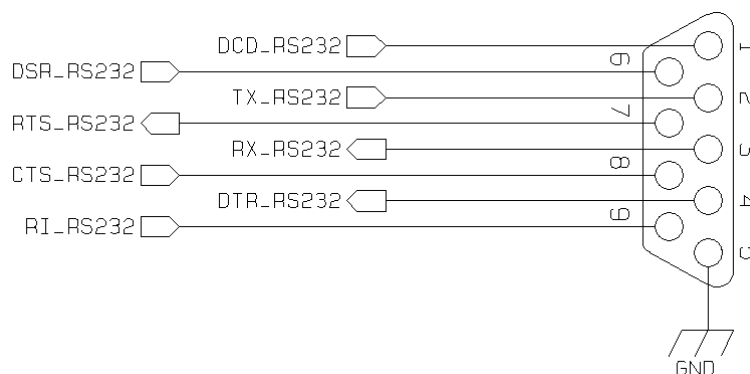
**This can be acceptable for evaluation purposes, but not on production devices.**



An example of level translation circuitry of this kind is:



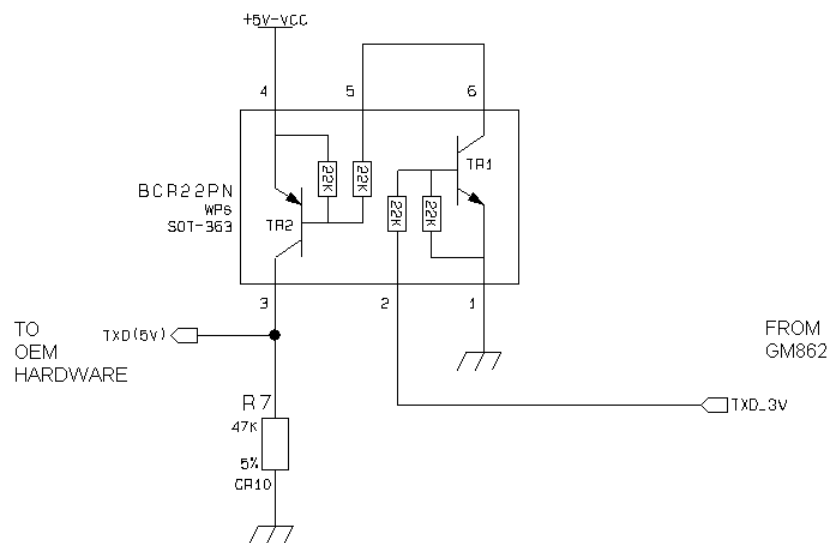
the RS232 serial port lines are usually connected to a DB9 connector with the following layout:



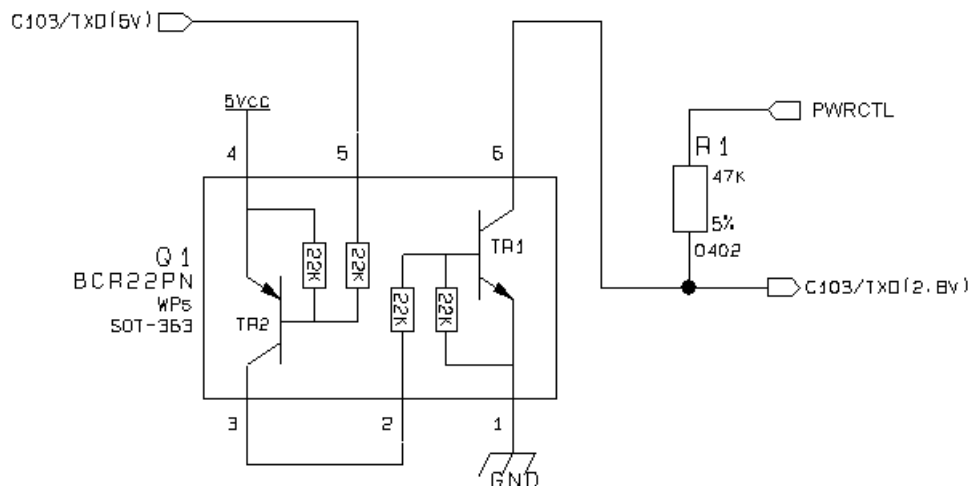


## 4.2 5V UART level translation

If the OEM application uses a microcontroller with a serial port (UART) that works at a voltage different from 2.8 - 3V, then a circuitry has to be provided to adapt the different levels of the two set of signals. As for the RS232 translation there are a multitude of single chip translators, but since the translation requires very few components, then also a discrete design can be suited. For example a possible inexpensive translator circuit for a 5V driver can be:



and for a 5V receiver:





**NOTE:** The UART input line TXD (rx\_uart) of the GM862-GPS is NOT internally pulled up with a resistor, so there may be the need to place an external 47KΩ pull-up resistor, either the DTR (dtr\_uart) and RTS (rts\_uart) input lines are not pulled up internally, so an external pull-up resistor of 47KΩ may be required.

A power source of the internal interface voltage corresponding to the 2.8VCMOS high level is available at the PWRCTL pin on the connector, whose absolute maximum output current is 10mA. A maximum of 9 47 KΩ pull-up resistors can be connected to the PWRCTL pin, provided no other devices are connected to it and the pulled-up lines are GM862-GPS input lines connected to open collector outputs in order to avoid latch-up problems on the GM862-GPS. Care must be taken to avoid latch-up on the GM862-GPS and the use of this output line to power electronic devices shall be avoided, especially for devices that generate spikes and noise such as level translators, digital ICs or microcontrollers, failure in any of these condition can severely compromise the GM862-GPS functionality.



**NOTE:** The input lines working at 2.8VCMOS can be pulled-up with 47KΩ resistors that can be connected directly to the PWRCTL line provided they are connected as in this example. NO OTHER devices should be powered with the PWRCTL line, otherwise the module functionality may be compromised.



## 5 Audio Section Overview

The Base Band Chip of the GM862-GPS Telit Module provides two different audio blocks; both in transmit (*Uplink*) and in receive (*Downlink*) direction:

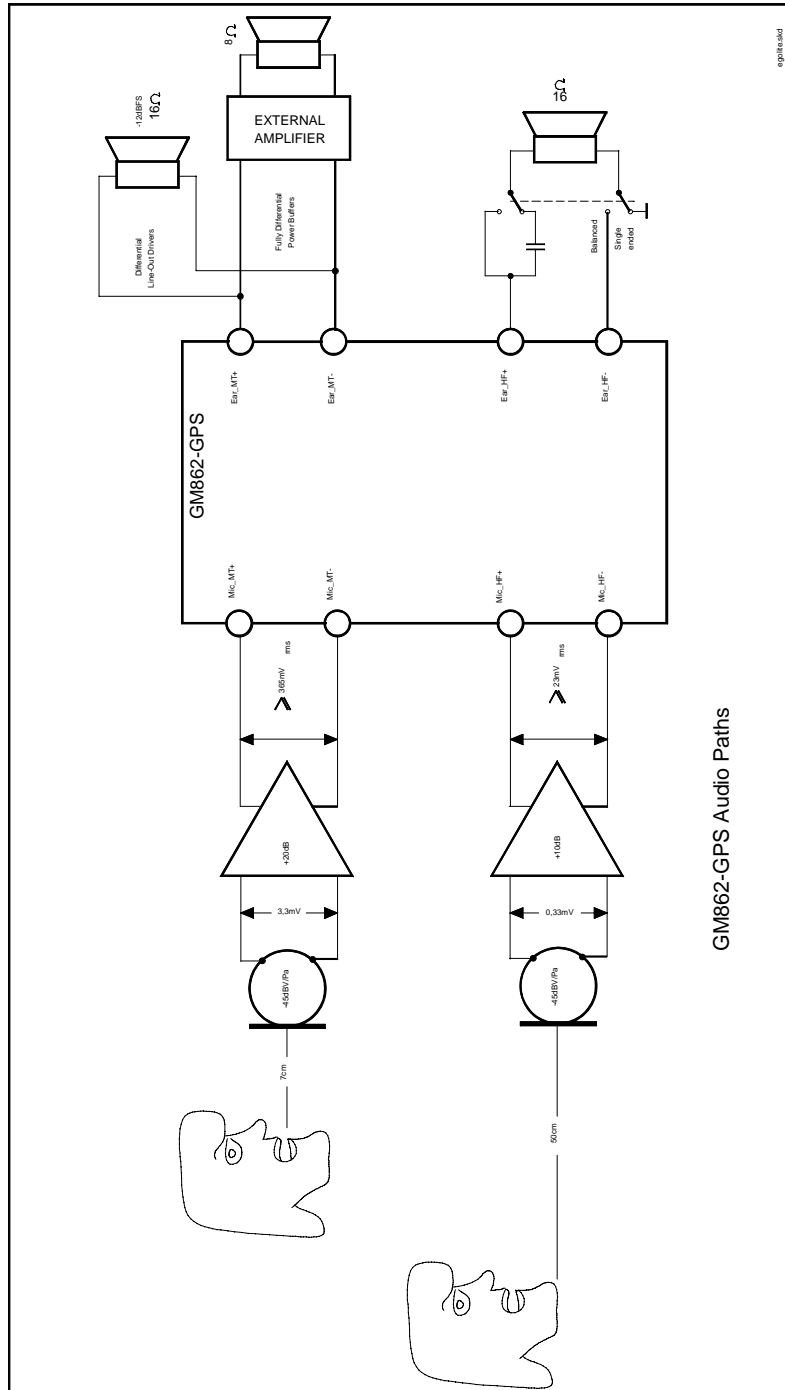
“*MT lines*” should be used for handset function,  
“*HF lines*” is suited for hands -free function (car kit).

These two blocks can be active only one at a time, selectable by *AXE* hardware line or by AT command.

The audio characteristics are equivalent in transmit blocks, but are different in the receive ones and this should be kept in mind when designing.



**GM862-GPS Hardware User Guide**  
1v0300728 Rev. 0 - 27/04/06











**TIP: environment consideration .**

For *hands-free/car kit* microphone, you must take into account the voice attenuation, due to the distance between the microphone itself and the talker , when designing the external microphone amplifier.

Not only, you must consider that the microphone will pick up also ambient noise; to overcome this problem it is preferable to set the gain of the microphone *10dB* lower with respect to the calculated value for a nominal sensitivity. The corresponding reduction in signal level will be compensated by an increased voice volume of the talker which will speak louder because of the ambient noise.

For a car cabin usually the distance between the microphone itself and the talker is *40/50cm* ; in these conditions the attenuation can be considered as a thumb rule around *20dB* .

For the earphone we shall distinguish two different types: the earphones having the microphone sustained close to the mouth and the ones having the microphone on the earpiece cable.

The same considerations for the additional voice attenuation due to the distance from the microphone and the noise pick up can be made for the earphone having the microphone on the earpiece cable, while the other kind of earphone shall be threaten as an handset.



**TIP: how to compensate the losses in car cabin hands-free condition .**

The voice signal , that in the "normal spoken" conditions produces on the microphone membrane an acoustic pressure of *-4,7dBPa* at *1kHz* , will have a further attenuation of *20dB* due the *50cm* distance .

Therefore a microphone having the suggested nominal sensitivity of *-45dBV<sub>rms</sub>/Pa*, will produce a lower electrical

equivalent signal :

$$\text{MicLevel} = (-45) + (-4.7) - 20 = -69.7$$

that means :

$$\text{MicVoltage} = 10^{(-49.7 / 20)} = 0,33 * 10^{-3}$$

Setting the "microphone gain" at *+10dB* (3 times), the signal in the nominal conditions on the "Mic\_HF" inputs s of GM862-GPS Telit Module will be :

$$\text{"Mic_HF" Level} = 0,33 * 10^{-3} * 3 = 1 * 10^{-3}$$

Hence in these conditions the signal level on the "**Mic\_HF**" input pads of the GM862-GPS is *10 dB* (3 times) lower than the nominal, as suggested.







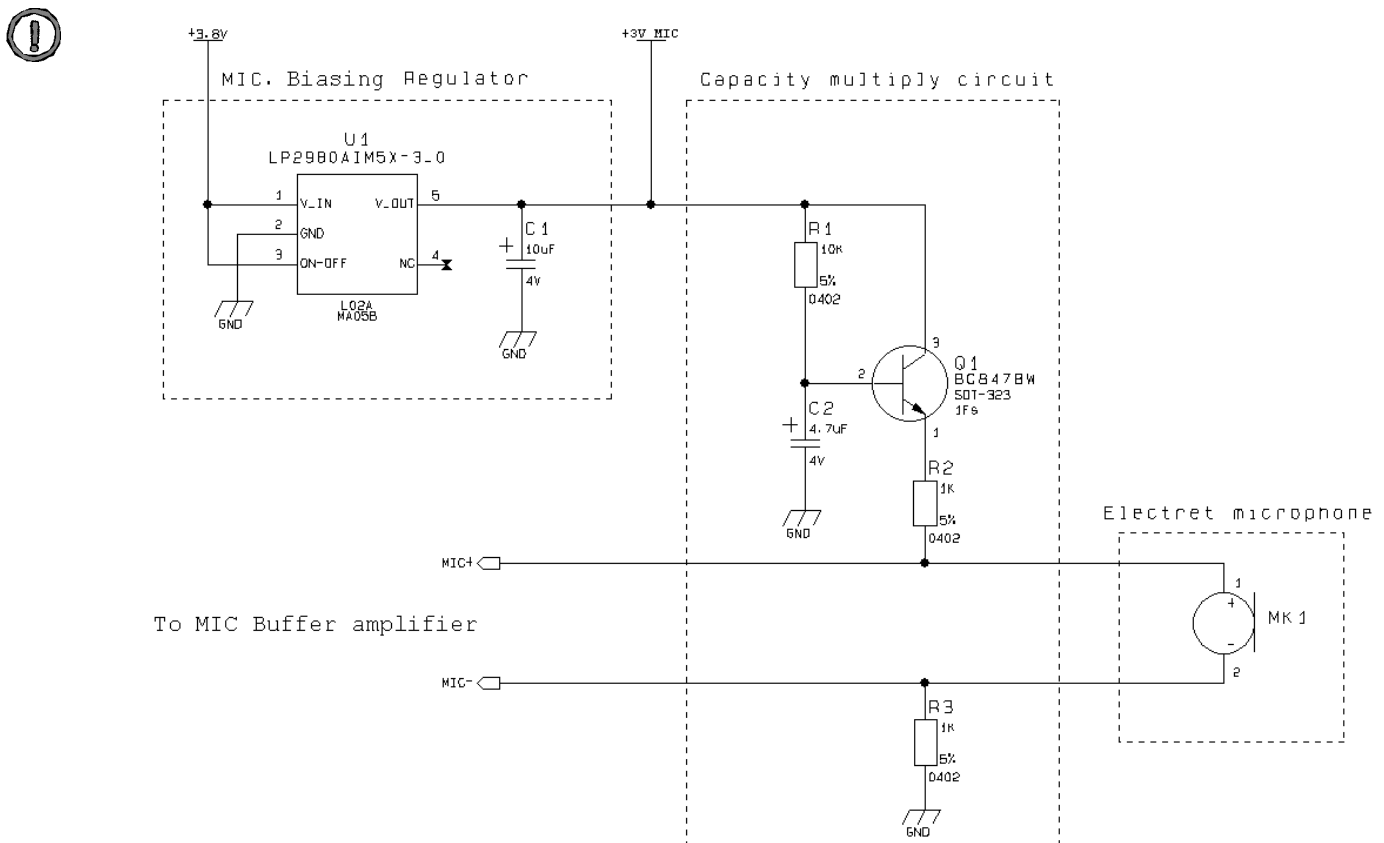
## 5.4 Microphone Biasing

The electret microphones usually need a biasing voltage to work properly. Refer to your microphone provider for the characteristics required.

**NOTE:** *The microphones have a hot wire were the positive biasing must be connected. Usually it is indicated by a + symbol or a red point. If the polarity of the bias is reversed, then the microphone will not work properly. For this reason be sure to respect the mic. biasing polarity.*

### 5.4.1 Balanced Microphone biasing

The balanced microphone bias voltage should be obtained from a dedicated voltage regulator, in order to eliminate the noise present on the power lines. This regulator can be the same for all the audio paths. The microphone should be supplied from a capacitor multiply circuit. For example a circuit for the balanced microphone biasing can be:



**NOTE:** *In the balanced application the resistors R2 and R3 must have the same value to keep the circuit balanced.*



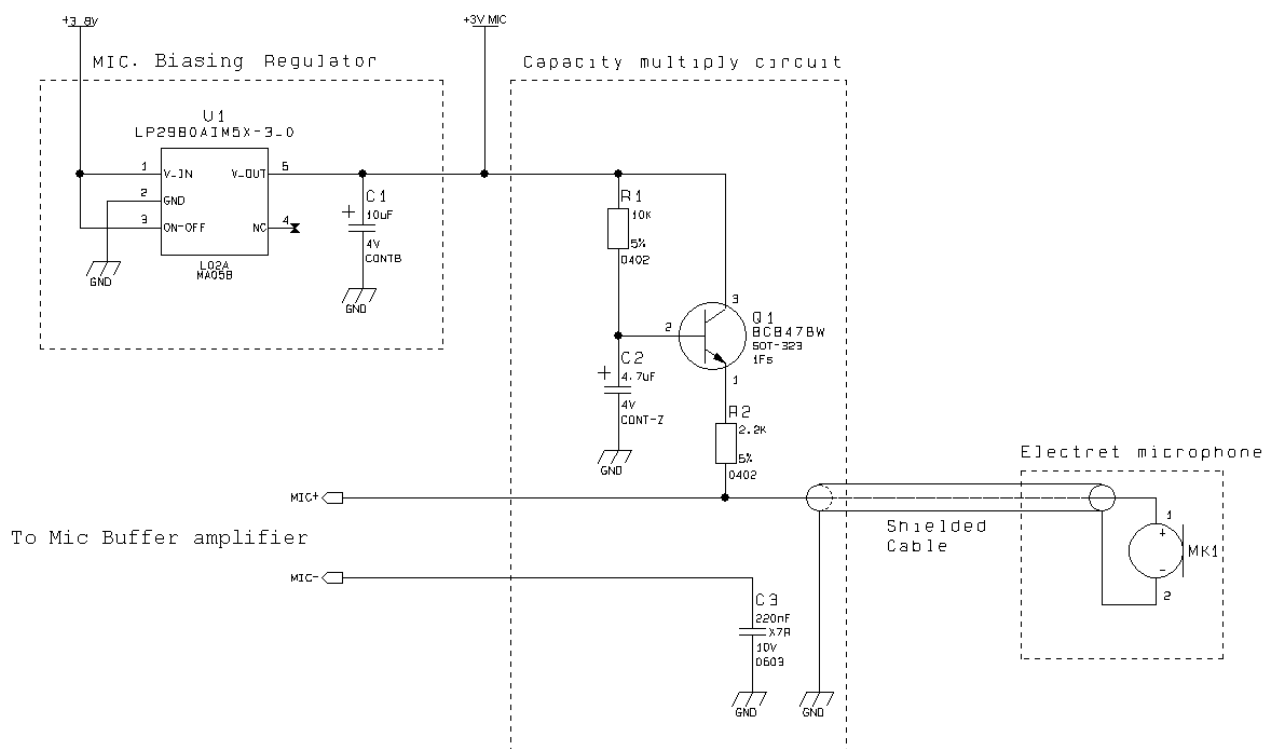
**NOTE:** The cable to the microphone should not be shielded, instead a twisted pair cable shall be used.

**NOTE:** The microphone sensitivity changes with the value of R2 and R3. Usually the microphones are characterized with 2kΩ biasing resistance, so try to keep the sum of R2 and R3 around 2kΩ. Refer to your microphone manufacturer for the mic. characteristics.

### 5.4.2 Unbalanced Microphone biasing

The unbalanced microphone biasing voltage should be obtained from a dedicated voltage regulator, in order to eliminate the noise present on the power lines. This regulator can be the same for all the audio paths. The microphone should be supplied from a capacitor multiply circuit.

For example a circuit for the unbalanced microphone biasing can be:



---

**NOTE:** In the unbalanced application the capacitor C3 shall be > 200nF otherwise the frequency response will be cut at low band frequencies (down to 300Hz). This capacitor can be placed close to the MIC- pad (MIC\_HF- or MIC\_MT- depending on the audio path chosen) or if possible it should be placed close to the shielded cable connector. If the ground return path is well designed, then it is possible to eliminate the C3 capacitor, provided the buffer is close to the mic. input.

---

**NOTE:** The cable to the microphone should be shielded.

---

**NOTE:** The microphone changes with the value of R2. Usually the microphone sensitivity is characterized with 2kΩ biasing resistance, so try to keep the value of R2 around 2kΩ. For mic. characteristics refer to the manufacturer.

---



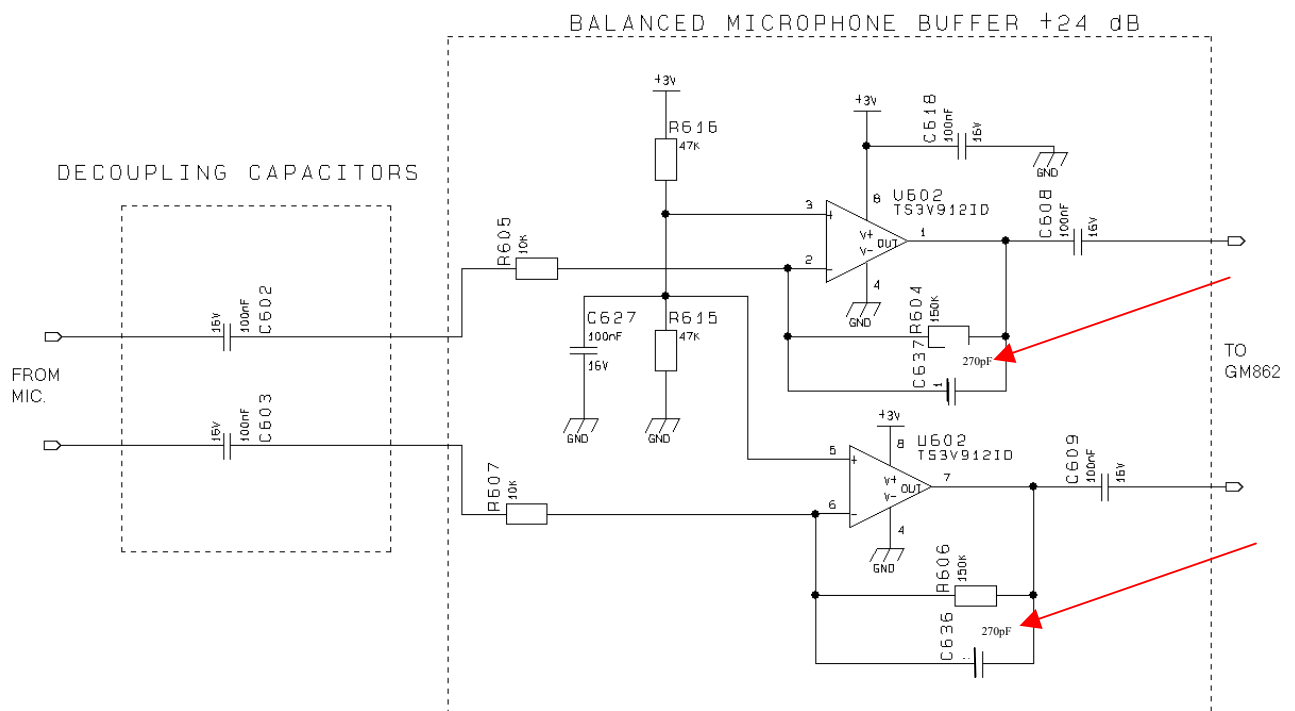
## 5.5 Microphone buffering

As seen previously, a microphone shall be connected to the input pins of the GM862-GPS through a buffer amplifier that boosts the signal level to the required value.

Again the buffered microphone circuitry can be balanced or unbalanced: where possible it is always preferable a balanced solution. The buffering circuit shall be placed close to the microphone or close to the microphone wire connector.

### 5.5.1 Buffered Balanced Mic.

A sample circuit can be:



This circuit has a gain of 10 times (+20 dB), and is therefore suited for the "**Mic<sub>MT</sub>**" input if you have a microphone with a sensitivity close to the suggested one ( $-45 \text{ dBV}_{\text{rms}}/\text{Pa}$ ). If your microphone has a different sensitivity or if the buffer is connected to the "**Mic<sub>HF</sub>**" inputs, then a gain adjustment shall be done by changing resistors R604 and R606 (if the required value is not a standard one, you can change R605 and R607) and as a consequence the capacitors C636 and C637 to maintain the bandwidth 150-4000Hz (at -3dB).

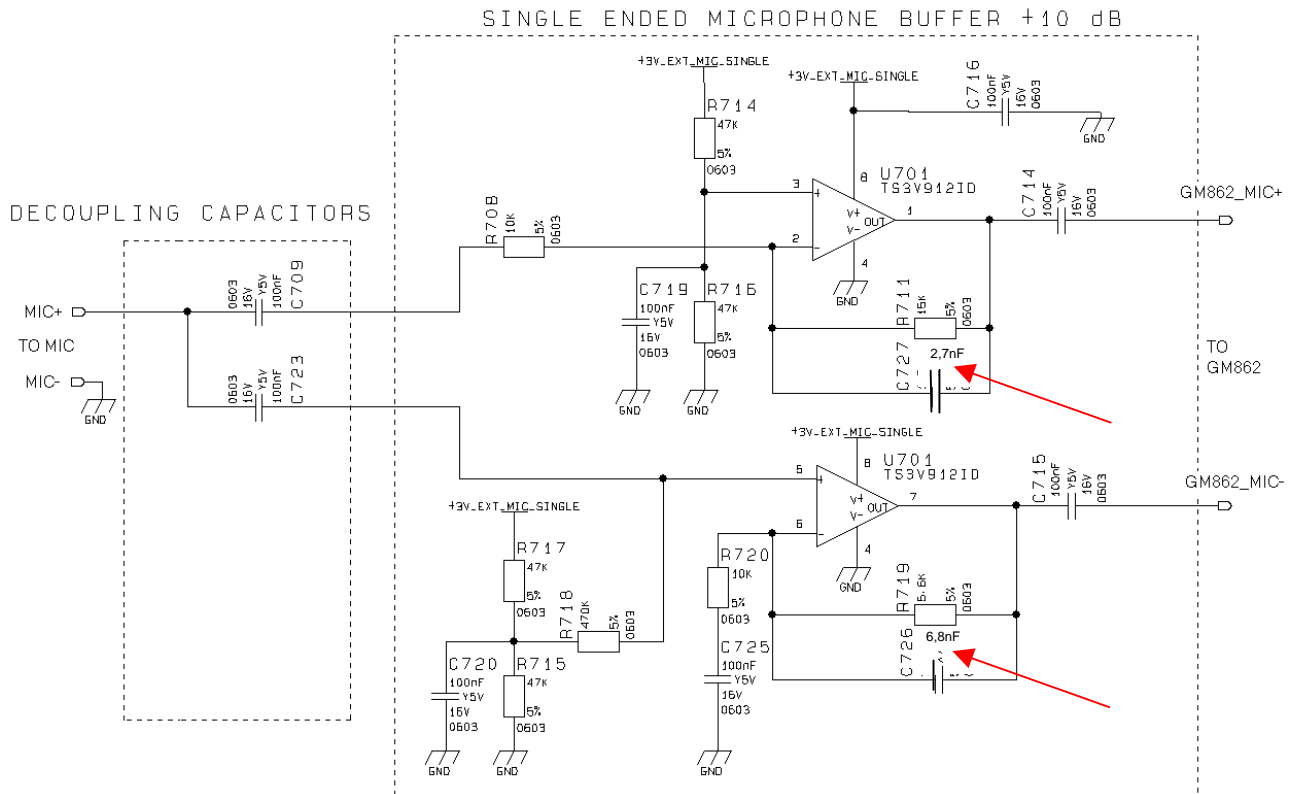








### 5.5.2 Buffered Unbalanced (Single Ended) Microphone .



The above schematic can be used for a single ended (*buffered unbalanced*) microphone ; the required biasing circuitry is not included. Note also that the capacitor C3 is not needed .  
 The gains of the two amplifiers are given by the formulas :

$$Gain(\text{not inverting buffer}) = 1 + \frac{R719}{R720} \qquad Gain(\text{inverting buffer}) = \frac{R711}{R708}$$

Assigning half of overall gain to each amplifier, you will obtain the requested gain because of doubling the microphone signal path; in fact by the use of two amplifiers (the upper as “inverting” and the lower as “not inverting” configuration ) we obtain an additional +6dB gain (2 times) .

Remember : the “not inverting “ amplifier section gain shall not be less than 1 .  
 Like for the balanced buffered microphone , the amplifier overall gain can be modify changing the value of resistor R719/R720 and R711 and as a consequence the capacitors C726 and C727. It is advisable to change R708 only if you have difficulty to find a commercial value for R711 ; in this case change R708 as little as possible .

The -3dB bandwidth is given by the approximated formula (considering C725 >> C726):

$$freq. = \frac{1}{2\pi * R719 * C726} = \frac{1}{2\pi * R711 * C727} \text{ [Hz]}$$



The buffer bandwidth at -3dB shall be 4KHz.

Note that the biasing of the operational amplifier is given for the inverting amplifier by the series divider R714-R715. The 100nF capacitor C719 is needed to filter the noise that could be coupled to that divider. For the not inverting operational amplifier the biasing is given by a different divider R715-R717 with the capacitor C720 and through a series resistor R718 of 470KΩ.



**TIP: example of calculation.**

Let's assume you have a microphone with a sensitivity of  $-45\text{dBV}_{\text{rms}}/\text{Pa}$  and you want to use it in 2nd differential microphone path ("Mic\_HF" inputs) in "normal spoken" conditions at acoustic pressure of  $-4.7\text{dBPa}$ .

As reported at page XX , the electrical level output from the microphone will be :

$$\text{MicLevel} = (-45) + (-4.7) = -49.7 \text{ dBV}_{\text{rms}}$$

but we have to consider 20dB loss due to the higher distance from the mouth of the talker ( 50cm ) .

$$\text{MicLevel} = (-49.7) + (-20) = -69.7 \text{ dBV}_{\text{rms}}$$

corresponding to

$$\text{MicVoltage} = 10^{(-69.7/20)} = 0,33 * 10^{-3}$$

In order to have a signal of  $1 \text{ mV}_{\text{rms}}$  at the "Mic\_HF" inputs , as suggested at TIP "environment consideration " ,

the buffer must have a gain

$$\hat{G}_A = \text{Mic\_HF} / \text{MicVoltage} = (1 * 10^{-3}) / (0,33 * 10^{-3})$$

or +10 dB

Keeping in mind that " balancing the line will double the signal", to calculate the resistor values assign half of required gain  $G_A$  to each amplifier section . And therefore  $G_S = 1,5\text{times}$  (or +3,52dB) .

Choosing as  $10\text{k}\Omega$  as the input resistance , the corresponding values for the resistors on the buffer will be :

$$R711 = G_S * R708 = 1.5 * 10 = 15 \text{ k}\Omega$$

$$R719 = (G_S - 1) * R720 = (1.5 - 1) * 10 = 5 \text{ k}\Omega$$

The commercial values of **15kΩ** and **5.6kΩ** be accepted .

As a consequence of the assigned values of the resistors, the nominal values of C726 and C727 are :











## 6.3 General Design rules

There are several configurations for the audio output path, but the various design requirements can be grouped into three different categories:

- handset earphone (low power, typically a handset)
- hands-free earphone (low power, typically a earphone)
- car kit speakerphone (high power, typically a speaker)

The three groups have different power requirements, usually the first two applications need only few mW of power, which can be directly drained from the GM862-GPS pads, provided a suited speaker is used. This direct connect design is the cheaper and simpler solution and will be suited for the most of the earphone design requirements. There's no need to decouple the output ear lines if a suited earpiece is connected. For the last group, the speakerphone, a power amplifier is required to raise the output power up to 5-10W required in a car cabin application.

All the designs shall comply with the following guidelines:

- Where possible use a bridged earphone circuitry, to achieve the maximum power output from the device.
- Keep the earphone traces on the PCB and wires as short as possible.
- If your application requires a single ended earpiece and you want a direct connection, then leave one of the two output lines open and use only the other referred to ground. Remember that in this case the power output is 4 times lower than the bridged circuit and may not be enough to ensure a good voice volume.
- Make sure that the earphone traces in the PCB don't cross or run parallel to noisy traces (especially the power line)
- The cable to the speaker shall be a twisted pair with both the lines floating for the bridged output type, shielded with the shield to ground for the single ended output type.

### 6.3.1 Noise Filtering

The I/O of the PCB should have a noise filter close to the connector, to filter the high frequency GSM noise. The filter can be a  $\Pi$  formed by 2 capacitor and a inductance, with the one capacitor of  $39pF - 0603$  case , and the other capacitor of  $1nF - 0603$ ; the inductance shall have a value of  $39\mu H$  .





## 6.4 Handset earphone design

As seen previously, a 16Ω earpiece can be directly connected to the output pads EAR\_MT+ and EAR\_MT- of the GM862-GPS.

This solution is often the more cost effective, reducing the components count to a minimum. There are several limitations to the use of this solution: speaker direct connect imposes the speaker characteristics to be almost exactly the suggested ones, otherwise the power output may be reduced (if speaker impedance is bigger than 16Ω) or the GM862-GPS ear port may be damaged (if speaker impedance is less than 15Ω).

The other limitation of the speaker direct connection is the power output capability of the GM862-GPS which is limited and for some particular applications may not be enough.

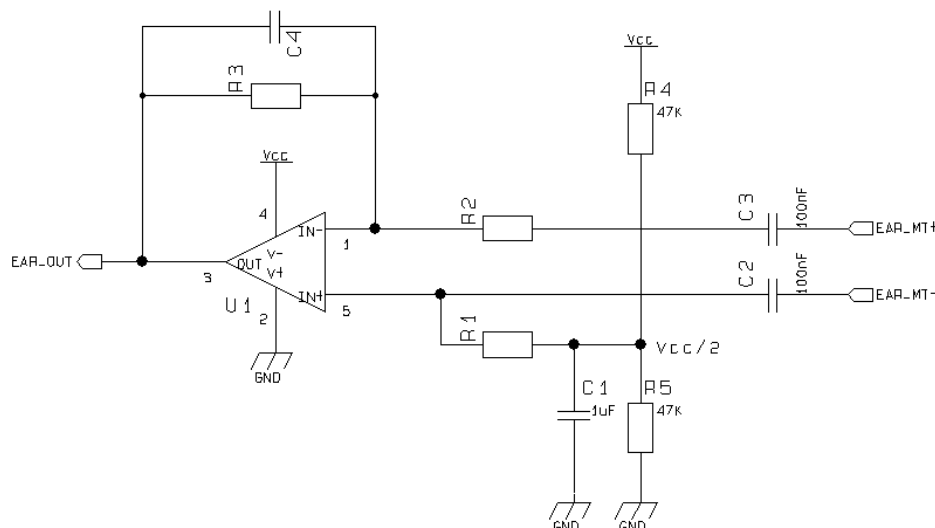
For these reasons, when the power output of the GM862-GPS is not enough or if the speaker characteristics are different from the suggested, then it is preferable to use an amplifier to increase the power and current output capabilities.

Again the output from the GM862-GPS is bridged and both lines should be used, where possible, as inputs to the power amplifier. This ensures a higher common mode rejection ratio, reducing the GSM current busts noise on the speaker output.

In this case the “EAR\_MT” lines from the GM862-GPS should be AC coupled with a ceramic capacitor of 100nF (or bigger).

It is always desirable to have a mute control on the amplifier, in order to turn it off while the device is not sending signal to the output, in this manner the amplifier background noise which may be audible during idle conditions is cut off.

A principle schematic may be:

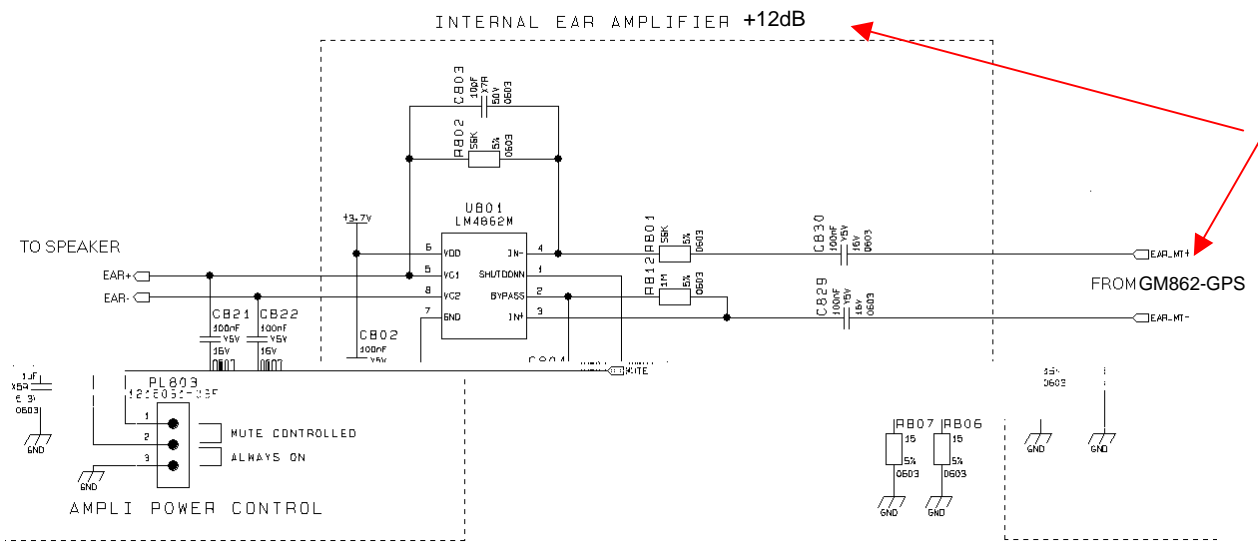


The resulting gain and high pass cut can be obtained with the formula:

$$Gain = \frac{R3}{R2}$$

$$freq. = \frac{1}{2\pi * R3 * C4} [Hz]$$

And an example of internal Ear amplifier could be :



Some amplifier require a low impedance load at high frequency in order to avoid auto oscillation, this can be made with a capacitor (100nF) in series with a resistor (15Ω).

When designing your application, remember to provide an adequate bypass capacitor to the amplifier and place it close to the power input pin of the IC, keeping the traces as short as possible.

## 6.5 Hands-free earphone (low power) design

The same design considerations made for the handset are valid for the hands-free earphone.



## 6.6 Car Kit speakerphone design

For the car kit speaker phone function the power output requirement is usually at least 4W, therefore an amplifier is needed to boost the GM862-GPS output.

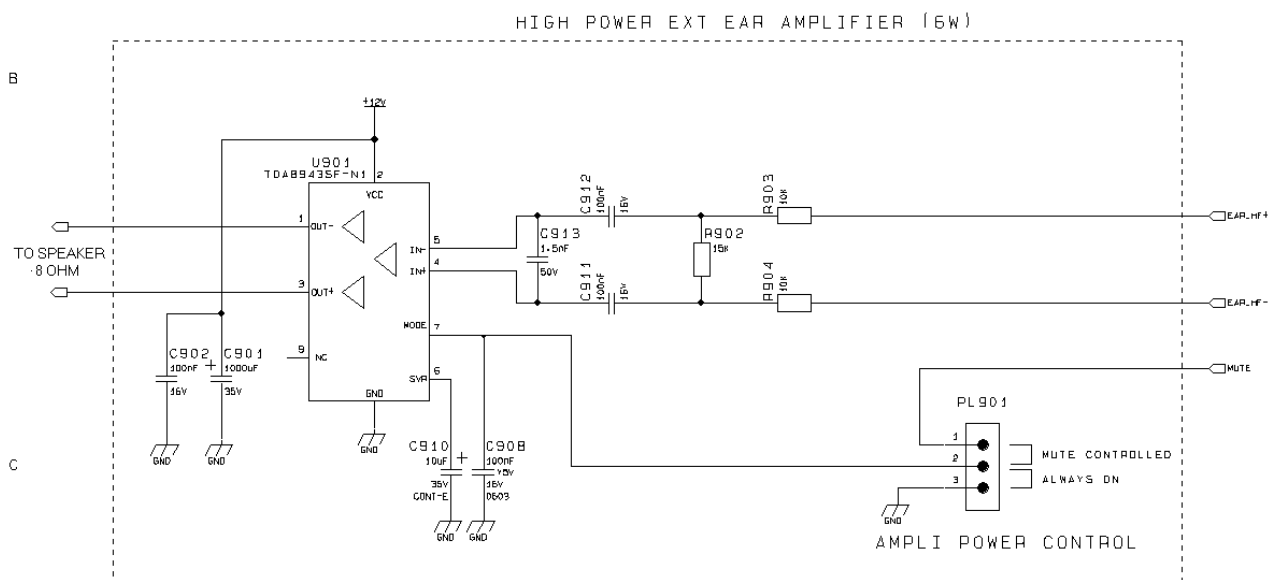
The design of the amplifier shall comply with the following guidelines:

- The input to the amplifier **MUST** be taken from the “**Ear\_HF**” audio path of the GM862-GPS, because of its echo canceller parameters suited to a car cabin use.
- The amplifier shall have a gain of 30-40 times (29-32 dB) to provide the desired output power of 5-10W with the signal from the GM862-GPS “**Ear\_HF**” audio output lines.
- If the amplifier has a fixed gain then it can be adjusted to the desired value by reducing the input signal with a resistor divider network.
- The amplifier shall have a mute control to be used while not in conversation. This results in two benefits: eliminating the background noise when not in conversation and saving power.
- The power to the amplifier should be decoupled as much as possible from the GM862-GPS power supply, by either keeping separate wires and placing bypass capacitors of adequate value close to the amplifier power input pads.
- The biasing voltage of the amplifier shall be stabilized with a low ESR (e.g. a tantalum) capacitor of adequate value.



**NOTE:** The GM862-GPS audio path connected to the car kit hands-free amplifier **MUST** be “**Ear\_HF**” one, otherwise the echo cancellation will not be done due to the difference in the echo canceller characteristics of the GM862-GPS internal audio path from the external audio path.

Example of car kit amplifier schematic.



## 7 General Purpose I/O

The general purpose I/O pins can be configured to act in three different ways:

- input
- output
- alternate function (internally controlled)

Input pins can only be read and report the digital value (high or low) present on the pin at the read time; output pins can only be written or queried and set the value of the pin output; an alternate function pin is internally controlled by the GM862-GPS firmware and acts depending on the function implemented.

Not all GPIO pins support all these three modes:

- GPIO1 is an INPUT ONLY
- GPIO2 is an OUTPUT ONLY (open collector)
- GPIO3, GPIO4 and GPIO5 support both input or output mode but not Alternate function.
- GPIO6 supports all three modes and can be input, output, alarm output (Alternate function)
- GPIO7 supports all three modes and can be input, output, buzzer output (Alternate function)

All GPIO pins except from GPIO1 and GPIO2 that are buffered with a transistor, are 2.8V CMOS signals and their interface levels are the same specified in the paragraph 4 Serial Port.

### 7.1 Using a GPIO pin as INPUT

The GPIO pins, when used as inputs, can be connected to a digital output of another device and report its status, provided this device has interface levels compatible with the 2.8V CMOS levels of the GPIO.

If the digital output of the device to be connected with the GPIO input pin has interface levels different from the 2.8V CMOS, then it can be connected to GPIO1 or can be buffered with an open collector transistor, provided a 47K $\Omega$  pull-up resistor is connected as seen in the paragraph 4.2 5V UART level translation.

### 7.2 Using a GPIO pin as OUTPUT

The GPIO pins, when used as outputs, can drive 2.8V CMOS digital devices or compatible hardware. When set as outputs, the pins (except from GPIO2 which is Open Collector) have a push-pull output and therefore the pull-up resistor may be omitted.

The GPIO2 pin, since it is an Open Collector output needs an external pull-up resistor.



## 7.3 Using the Alarm Output GPIO6

The GPIO6 pin, when configured as Alarm Output, is controlled by the GM862-GPS module and will rise when the alarm starts and fall after the issue of a dedicated AT command.

This output can be used to power up the GM862-GPS controlling microcontroller or application at the alarm time, giving you the possibility to program a timely system wake-up to achieve some periodic actions and completely turn off either the application and the GM862-GPS during sleep periods, dramatically reducing the sleep consumption to few  $\mu\text{A}$ .

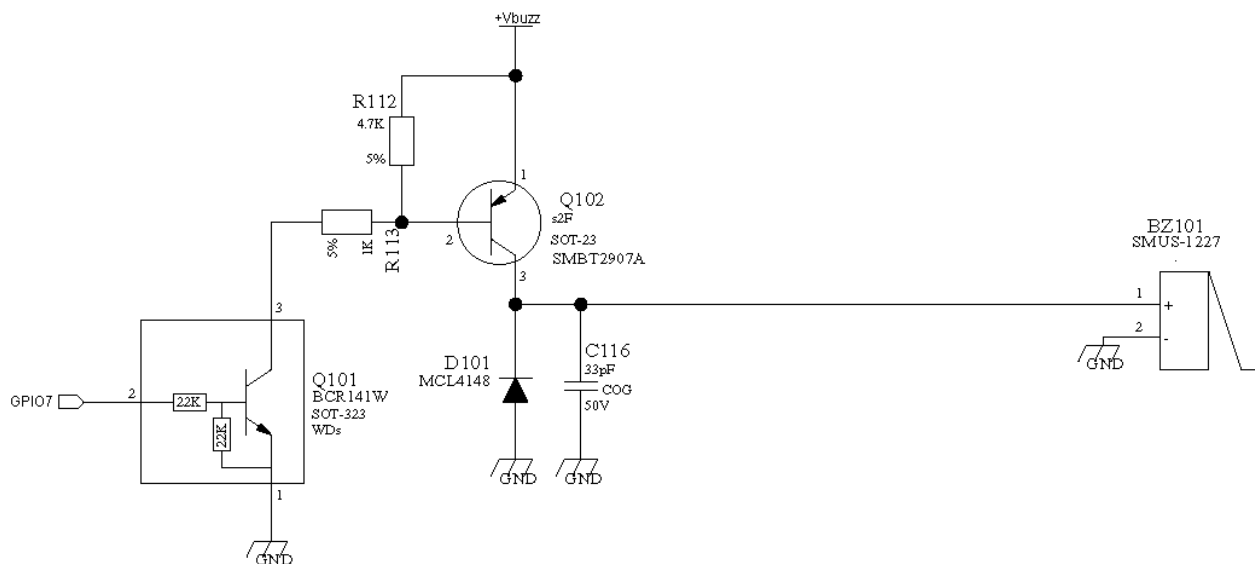
In battery powered devices this feature will greatly improve the autonomy of the device.

## 7.4 Using the Buzzer Output GPIO7

The GPIO7 pin, when configured as Buzzer Output, is controlled by the GM862-GPS module and will drive with appropriate square waves a Buzzer driver.

This permits to your application to easily implement Buzzer feature with ringing tones or melody played at the call incoming, tone playing on SMS incoming or simply playing a tone or melody when needed by your application.

A sample interface scheme is included below to give you an idea of how to interface a Buzzer to the GPIO7:



**NOTE:** To correctly drive a buzzer a driver must be provided, its characteristics depend on the Buzzer and for them refer to your buzzer vendor.











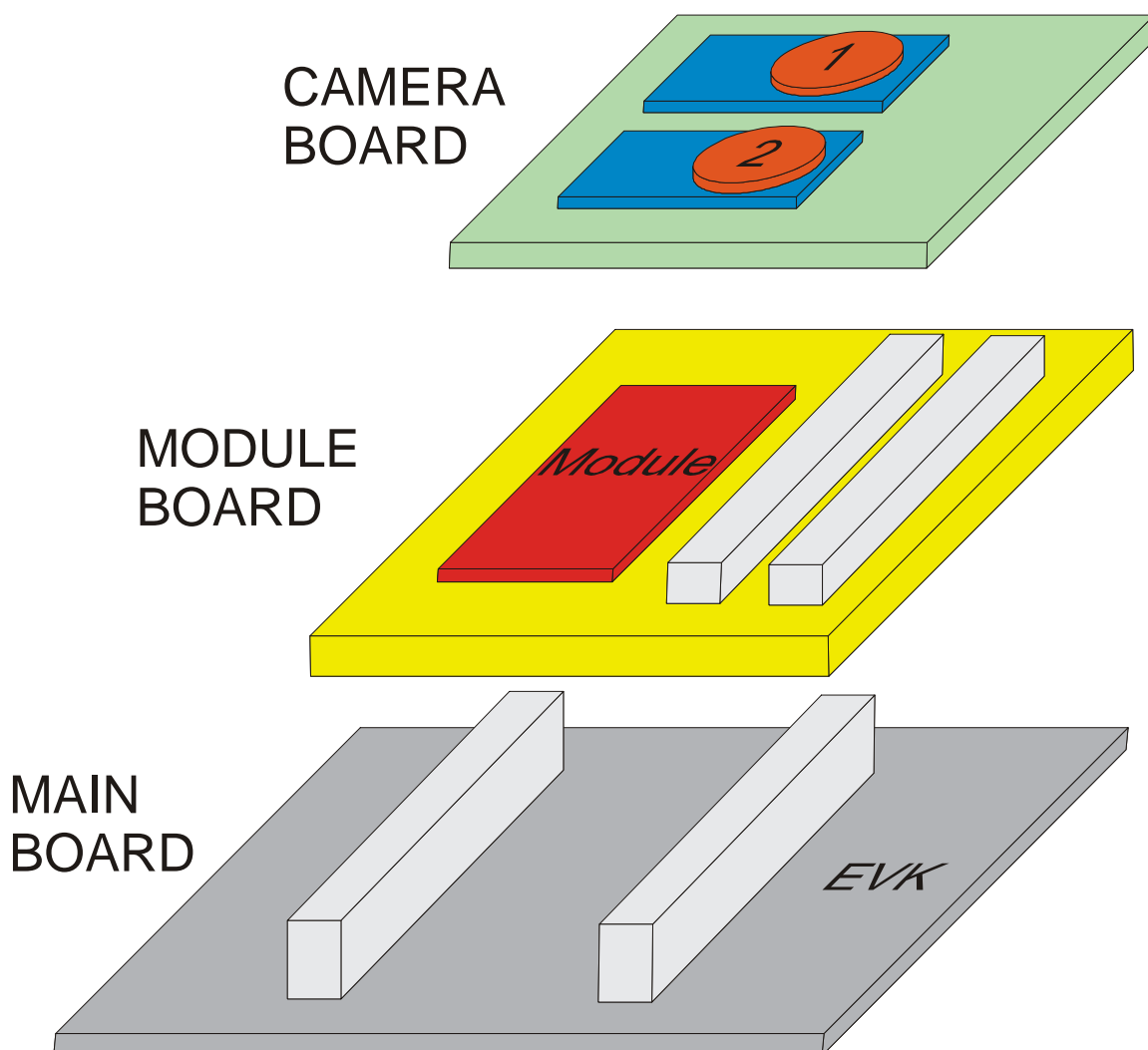




## EVB for Transchip camera support

In order to interface the Telit GM862 with a CMOS camera, Telit has developed an evaluation board. The EVK allow connecting all Telit modules through 2 connectors of 40 pins each.

The I2CBUS DUAL CAMERA board is plugged in the 2 connectors of 30 pins each on the module board.











### 9.1.6 Example usage script for camera

**Camera setting: (shown here are the defaults ones)**

```

>AT#CAMSEL=0          (camera selection: 0-auto, 1-agilent, 2-transchip)
OK
>AT#CMODE=0           (camera mode: 0-day, 1-night)
OK
>AT#CAMQUA=0          (camera quality: 0-low, 1-medieum, 2-high)
OK
>AT#CAMRES=0          (camera resolution: 0-VGA, 1-QVGA, 2-QQVGA)
OK
>AT#CAMCOL=0*         (camera color: 0-color, 1-grayscale)
OK
>AT#CAMZOOM=0         (camera zoom: 0-x1, 1-x2, 2-x4)
OK
>AT#CAMTXT=0*         (camera timestamp: 0-no, 1-time only, 2-data only, 3-time&data)
OK
  
```

**Taking an reading a photo:**

```

>AT#CAMEN=1          (camera ON)
OK
>AT#TPHOTO           (take photo)
OK
>AT+OBJL?            (see photo dimension)
#OBJL: Snapshot,38900 (where 38900 is the file dimension in bytes of the photo taken)
OK
>AT#RPHOTO           (download the photo)
...data.....         (where ...data... Correspond to the photo data in binary)
OK
>AT#TPHOTO           }
OK                   } Repeating photo capture and download n times
>AT#RPHOTO           }
...data.....         }
OK                   }
>AT#CAMEN=0         (camera OFF)
*only Transchip camera
  
```





## Free Manuals Download Website

<http://myh66.com>

<http://usermanuals.us>

<http://www.somanuals.com>

<http://www.4manuals.cc>

<http://www.manual-lib.com>

<http://www.404manual.com>

<http://www.luxmanual.com>

<http://aubethermostatmanual.com>

Golf course search by state

<http://golfingnear.com>

Email search by domain

<http://emailbydomain.com>

Auto manuals search

<http://auto.somanuals.com>

TV manuals search

<http://tv.somanuals.com>