

***TMS320DM644x DMSoC
Multimedia Card (MMC)/Secure Digital (SD)
Card Controller***

User's Guide

Literature Number: SPRUE30B
September 2006



Preface	7
1 Introduction	9
1.1 Purpose of the Peripheral	9
1.2 Features	9
1.3 Functional Block Diagram	9
1.4 Supported Use Case Statement	10
1.5 Industry Standard(s) Compliance Statement	10
2 Peripheral Architecture	10
2.1 Clock Control	12
2.2 Signal Descriptions	13
2.3 Protocol Descriptions	13
2.4 Data Flow in the Input/Output FIFO	15
2.5 Data Flow in the Data Registers (MMCDRR and MMCDXR)	17
2.6 FIFO Operation During Card Read Operation	19
2.7 FIFO Operation During Card Write Operation	21
2.8 Reset Considerations	23
2.9 Initialization	23
2.10 Interrupt Support	27
2.11 DMA Event Support	28
2.12 Power Management	28
2.13 Emulation Considerations	28
3 Procedures for Common Operations	29
3.1 Card Identification Operation	29
3.2 MMC/SD Mode Single-Block Write Operation Using CPU	32
3.3 MMC/SD Mode Single-Block Write Operation Using the EDMA	34
3.4 MMC/SD Mode Single-Block Read Operation Using the CPU	34
3.5 MMC/SD Mode Single-Block Read Operation Using EDMA	35
3.6 MMC/SD Mode Multiple-Block Write Operation Using CPU	36
3.7 MMC/SD Mode Multiple-Block Write Operation Using EDMA	38
3.8 MMC/SD Mode Multiple-Block Read Operation Using CPU	38
3.9 MMC/SD Mode Multiple-Block Read Operation Using EDMA	39
4 Registers	40
4.1 MMC Control Register (MMCCTL)	41
4.2 MMC Memory Clock Control Register (MMCCLK)	42
4.3 MMC Status Register 0 (MMCST0)	43
4.4 MMC Status Register 1 (MMCST1)	45
4.5 MMC Interrupt Mask Register (MMCIM)	46
4.6 MMC Response Time-Out Register (MMCTOR)	47
4.7 MMC Data Read Time-Out Register (MMCTOD)	48
4.8 MMC Block Length Register (MMCBLEN)	49
4.9 MMC Number of Blocks Register (MMCNBLK)	50
4.10 MMC Number of Blocks Counter Register (MMCNBLC)	50
4.11 MMC Data Receive Register (MMCDRR)	51
4.12 MMC Data Transmit Register (MMCDXR)	51

4.13	MMC Command Register (MMCCMD)	52
4.14	MMC Argument Register (MMCARGHL)	54
4.15	MMC Response Registers (MMCRSP0-MMCRSP7)	55
4.16	MMC Data Response Register (MMCDRSP)	57
4.17	MMC Command Index Register (MMCCIDX).....	57
4.18	MMC FIFO Control Register (MMCFIFOCTL)	58
Appendix A Revision History		59

List of Figures

1	MMC/SD Card Controller Block Diagram	10
2	MMC/SD Controller Interface Diagram	11
3	MMC Configuration and SD Configuration Diagram	11
4	MMC/SD Controller Clocking Diagram	12
5	MMC/SD Mode Write Sequence Timing Diagram	14
6	MMC/SD Mode Read Sequence Timing Diagram	15
7	FIFO Operation Diagram	16
8	Little-Endian Access to MMCDXR/MMCDRR from the ARM CPU or the EDMA	17
9	Big-Endian Access to MMCDXR/MMCDRR from the ARM CPU or the EDMA	18
10	FIFO Operation During Card Read Diagram	20
11	FIFO Operation During Card Write Diagram	22
12	MMC Card Identification Procedure	30
13	SD Card Identification Procedure	31
14	MMC/SD Mode Single-Block Write Operation	33
15	MMC/SD Mode Single-Block Read Operation	35
16	MMC/SD Multiple-Block Write Operation	37
17	MMC/SD Mode Multiple-Block Read Operation	39
18	MMC Control Register (MMCCTL)	41
19	MMC Memory Clock Control Register (MMCCLK)	42
20	MMC Status Register 0 (MMCST0)	43
21	MMC Status Register 1 (MMCST1)	45
22	MMC Interrupt Mask Register (MMCIM)	46
23	MMC Response Time-Out Register (MMCTOR)	47
24	MMC Data Read Time-Out Register (MMCTOD)	48
25	MMC Block Length Register (MMCBLEN)	49
26	MMC Number of Blocks Register (MMCNBLK)	50
27	MMC Number of Blocks Counter Register (MMCNBLC)	50
28	MMC Data Receive Register (MMCDRR)	51
29	MMC Data Transmit Register (MMCDXR)	51
30	MMC Command Register (MMCCMD)	52
31	Command Format	53
32	MMC Argument Register (MMCARGHL)	54
33	MMC Response Register 0 and 1 (MMCRSP01)	55
34	MMC Response Register 2 and 3 (MMCRSP23)	55
35	MMC Response Register 4 and 5 (MMCRSP45)	55
36	MMC Response Register 6 and 7 (MMCRSP67)	55
37	MMC Data Response Register (MMCDRSP)	57
38	MMC Command Index Register (MMCCIDX)	57
39	MMC FIFO Control Register (MMCFIFOCTL)	58

List of Tables

1	MMC/SD Controller Pins Used in Each Mode.....	13
2	MMC/SD Mode Write Sequence	14
3	MMC/SD Mode Read Sequence	15
4	Description of MMC/SD Interrupt Requests	27
5	Multimedia Card/Secure Digital (MMC/SD) Card Controller Registers.....	40
6	MMC Control Register (MMCCTL) Field Descriptions.....	41
7	MMC Memory Clock Control Register (MMCCLK) Field Descriptions	42
8	MMC Status Register 0 (MMCST0) Field Descriptions	43
9	MMC Status Register 1 (MMCST1) Field Descriptions	45
10	MMC Interrupt Mask Register (MMCIM) Field Descriptions	46
11	MMC Response Time-Out Register (MMCTOR) Field Descriptions	47
12	MMC Data Read Time-Out Register (MMCTOD) Field Descriptions.....	48
13	MMC Block Length Register (MMCBLEN) Field Descriptions.....	49
14	MMC Number of Blocks Register (MMCNBLK) Field Descriptions.....	50
15	MMC Number of Blocks Counter Register (MMCNBLC) Field Descriptions	50
16	MMC Data Receive Register (MMCDRR) Field Descriptions	51
17	MMC Data Transmit Register (MMCDXR) Field Descriptions.....	51
18	MMC Command Register (MMCCMD) Field Descriptions.....	52
19	Command Format	53
20	MMC Argument Register (MMCARGHL) Field Descriptions	54
21	R1, R3, R4, R5, or R6 Response (48 Bits)	56
22	R2 Response (136 Bits)	56
23	MMC Data Response Register (MMCDRSP) Field Descriptions	57
24	MMC Command Index Register (MMCCIDX) Field Descriptions	57
25	MMC FIFO Control Register (MMCFIFOCTL) Field Descriptions	58
A-1	Document Revision History	59

Read This First

About This Manual

This manual describes the multimedia card (MMC)/secure digital (SD) card controller in the TMS320DM644x Digital Media System-on-Chip (DMSoC). The MMC/SD card is used in a number of applications to provide removable data storage. The MMC/SD controller provides an interface to external MMC and SD cards. The MMC/SD protocol performs the communication between the MMC/SD controller and MMC/SD card(s).

Notational Conventions

This document uses the following conventions.

- Hexadecimal numbers are shown with the suffix h. For example, the following number is 40 hexadecimal (decimal 64): 40h.
- Registers in this document are shown in figures and described in tables.
 - Each register figure shows a rectangle divided into fields that represent the fields of the register. Each field is labeled with its bit name, its beginning and ending bit numbers above, and its read/write properties below. A legend explains the notation used for the properties.
 - Reserved bits in a register figure designate a bit that is used for future device expansion.

Related Documentation From Texas Instruments

The following documents describe the TMS320DM644x Digital Media System-on-Chip (DMSoC). Copies of these documents are available on the Internet at www.ti.com. *Tip:* Enter the literature number in the search box provided at www.ti.com.

The current documentation that describes the DM644x DMSoC, related peripherals, and other technical collateral, is available in the C6000 DSP product folder at: www.ti.com/c6000.

[SPRUE14](#) — ***TMS320DM644x DMSoC ARM Subsystem Reference Guide***. Describes the ARM subsystem in the TMS320DM644x Digital Media System-on-Chip (DMSoC). The ARM subsystem is designed to give the ARM926EJ-S (ARM9) master control of the device. In general, the ARM is responsible for configuration and control of the device; including the DSP subsystem, the video processing subsystem, and a majority of the peripherals and external memories.

[SPRUE15](#) — ***TMS320DM644x DMSoC DSP Subsystem Reference Guide***. Describes the digital signal processor (DSP) subsystem in the TMS320DM644x Digital Media System-on-Chip (DMSoC).

[SPRUE19](#) — ***TMS320DM644x DMSoC Peripherals Overview Reference Guide***. Provides an overview and briefly describes the peripherals available on the TMS320DM644x Digital Media System-on-Chip (DMSoC).

[SPRAA84](#) — ***TMS320C64x to TMS320C64x+ CPU Migration Guide***. Describes migrating from the Texas Instruments TMS320C64x digital signal processor (DSP) to the TMS320C64x+ DSP. The objective of this document is to indicate differences between the two cores. Functionality in the devices that is identical is not included.

[SPRU732](#) — ***TMS320C64x/C64x+ DSP CPU and Instruction Set Reference Guide***. Describes the CPU architecture, pipeline, instruction set, and interrupts for the TMS320C64x and TMS320C64x+ digital signal processors (DSPs) of the TMS320C6000 DSP family. The C64x/C64x+ DSP generation comprises fixed-point devices in the C6000 DSP platform. The C64x+ DSP is an enhancement of the C64x DSP with added functionality and an expanded instruction set.

[SPRU871](#) — **TMS320C64x+ DSP Megamodule Reference Guide**. Describes the TMS320C64x+ digital signal processor (DSP) megamodule. Included is a discussion on the internal direct memory access (IDMA) controller, the interrupt controller, the power-down controller, memory protection, bandwidth management, and the memory and cache.

[SPRAAA6](#) — **EDMA v3.0 (EDMA3) Migration Guide for TMS320DM644x DMSoC**. Describes migrating from the Texas Instruments TMS320C64x digital signal processor (DSP) enhanced direct memory access (EDMA2) to the TMS320DM644x Digital Media System-on-Chip (DMSoC) EDMA3. This document summarizes the key differences between the EDMA3 and the EDMA2 and provides guidance for migrating from EDMA2 to EDMA3.

Trademarks

SD is a trademark of SanDisk.

Multimedia Card (MMC)/Secure Digital (SD) Card Controller

1 Introduction

This document describes the multimedia card (MMC)/secure digital (SD) card controller in the TMS320DM644x Digital Media System-on-Chip (DMSoC).

1.1 Purpose of the Peripheral

A number of applications use the multimedia card (MMC)/secure digital (SD) card to provide removable data storage. The MMC/SD card controller provides an interface to external MMC and SD cards. The communication between the MMC/SD card controller and MMC/SD card(s) is performed according to the MMC/SD protocol.

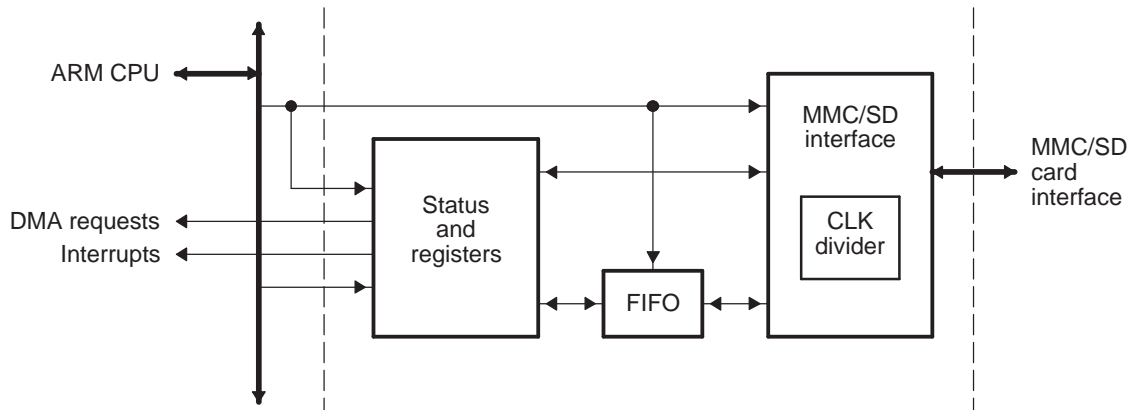
1.2 Features

The MMC/SD card controller has the following features:

- Supports interface to multimedia cards (MMC)
- Supports interface to secure digital (SD) memory cards
- Ability to use the MMC/SD protocol
- Programmable frequency of the clock that controls the timing of transfers between the MMC/SD controller and memory card
- 256-bit read/write FIFO to lower system overhead
- Signaling to support enhanced direct memory access (EDMA) transfers (slave)
- 20 MHz maximum clock to MMC (specification 3.31)
- 50 MHz maximum clock to SD (specification version 1.1)

1.3 Functional Block Diagram

The MMC/SD card controller transfers data between the ARM and the EDMA controller on one side and the MMC/SD card on the other side, as shown in [Figure 1](#). This means you have a choice of performing data transfers using the CPU or EDMA as a mechanism to move data between the device memory and the FIFO. The ARM and the EDMA controller can read from or write to the data in the card by accessing the registers in the MMC/SD controller.

Figure 1. MMC/SD Card Controller Block Diagram


1.4 Supported Use Case Statement

The MMC/SD card controller supports the following user cases:

- MMC/SD card identification
- MMC/SD single-block read using CPU
- MMC/SD single-block read using EDMA
- MMC/SD single-block write using CPU
- MMC/SD single-block write using EDMA
- MMC/SD multiple-block read using CPU
- MMC/SD multiple-block read using EDMA
- MMC/SD multiple-block write using CPU
- MMC/SD multiple-block write using EDMA

1.5 Industry Standard(s) Compliance Statement

The MMC/SD card controller supports the following industry standards (with the exception noted below):

- MMC (Multimedia Card) Specification V3.31
- SD (Secure Digital) Physical Layer Specification V1.1

The information in this document assumes that you are familiar with these standards.

The MMC/SD controller does not support the SPI mode of operation.

2 Peripheral Architecture

The MMC/SD controller uses the MMC/SD protocol to communicate with the MMC/SD cards. You can configure the MMC/SD controller to work as an MMC or SD controller, based on the type of card the controller is communicating with. [Figure 2](#) summarizes the MMC/SD mode interface. [Figure 3](#) illustrates how the controller interfaces to the cards in MMC/SD mode.

In the MMC/SD mode, the MMC controller supports one or more MMC/SD cards. Regardless of the number of cards connected, the MMC/SD controller selects one by using identification broadcast on the data line. The following MMC/SD controller pins are used:

- **CMD:** This pin is used for two-way communication between the connected card and the MMC/SD controller. The MMC/SD controller transmits commands to the card and the memory card drives responses to the commands on this pin.
- **DAT0 or DAT0-3:** MMC cards only use one data line (DAT0) and SD cards use one or four data lines. The number of DAT pins (the data bus width) is set by the WIDTH bit in the MMC control register (MMCCTL), see [Section 4.1](#).
- **CLK:** This pin provides the clock to the memory card from the MMC/SD controller.

Figure 2. MMC/SD Controller Interface Diagram

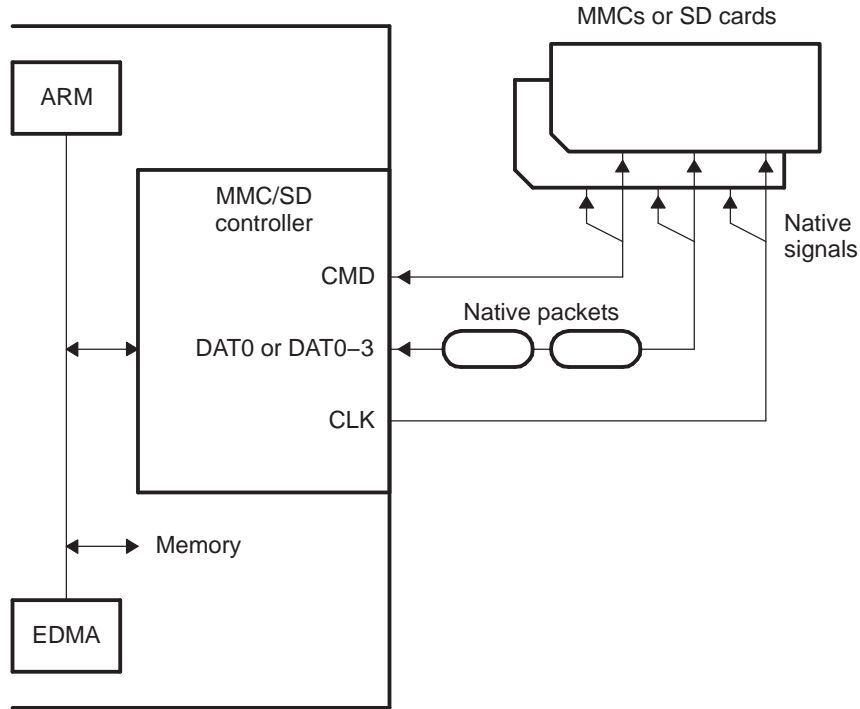
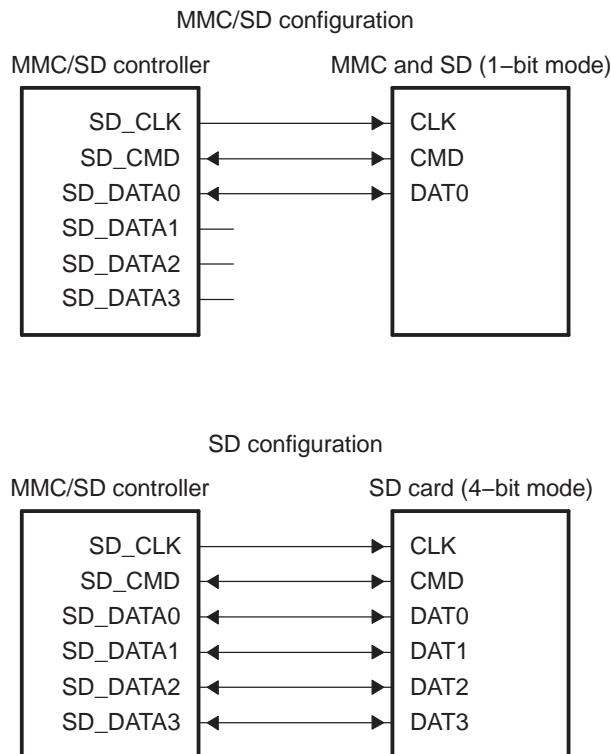


Figure 3. MMC Configuration and SD Configuration Diagram



2.1 Clock Control

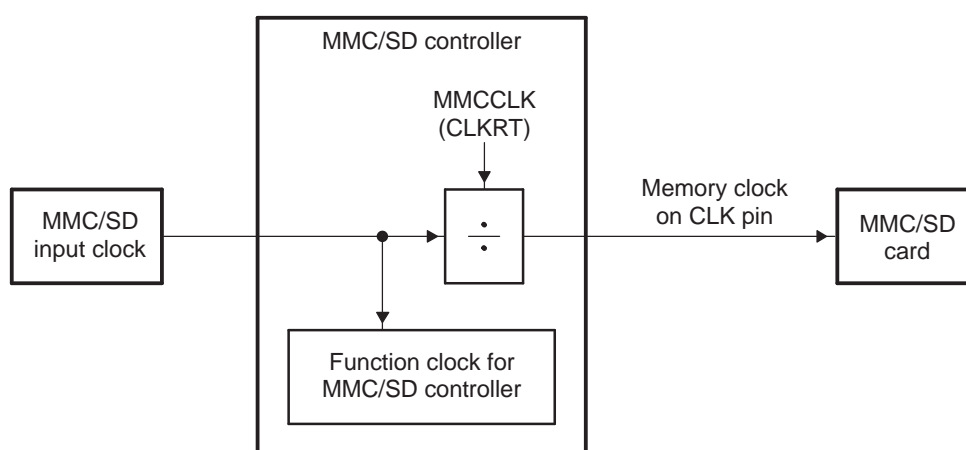
There are two clocks, the function clock and the memory clock, in the MMC/SD controller (Figure 4).

The function clock determines the operational frequency of the MMC/SD controller and is the input clock to the MMC/SD card(s). The MMC/SD controller is capable of operating with a function clock up to 100 MHz.

The memory clock appears on the SD_CLK pin of the MMC/SD controller interface. The memory clock controls the timing of communication between the MMC/SD controller and the connected memory card. The memory clock is generated by dividing the function clock in the MMC/SD controller. The divide-down value is set by CLKRT bits in the MMC memory clock control register (MMCCLK) and is determined by the following equation:

$$\text{memory clock frequency} = \text{function clock frequency} / (2 \times (\text{CLKRT} + 1))$$

Figure 4. MMC/SD Controller Clocking Diagram



- (1) Maximum memory clock frequency in MMC card can be 20 MHz.
- (2) Maximum memory clock frequency in SD card can be 50 MHz.

2.2 Signal Descriptions

Table 1 shows the MMC/SD controller pins that each mode uses. The MMC/SD protocol uses the clock, command (two-way communication between the MMC controller and memory card), and data (DAT0 for MMC card, DAT0-3 for SD card) pins.

Table 1. MMC/SD Controller Pins Used in Each Mode

Pin	Type ⁽¹⁾	Function	
		MMC and SD (1-bit mode) Communications	SD (4-bit mode) Communications
CLK	O	Clock line	Clock line
CMD	I/O	Command line	Command line
DAT0	I/O	Data line 0	Data line 0
DAT1	I/O	(Not used)	Data line 1
DAT2	I/O	(Not used)	Data line 2
DAT3	I/O	(Not used)	Data line 3

⁽¹⁾ I = input to the MMC controller; O = output from the MMC controller.

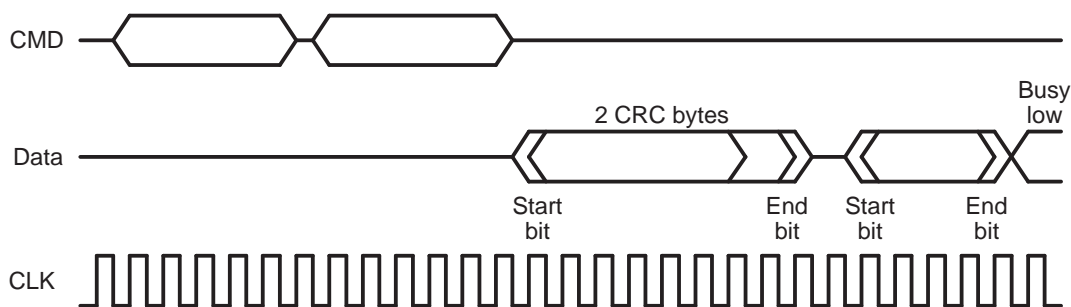
2.3 Protocol Descriptions

The MMC/SD controller follows the MMC/SD protocol for completing any kind of transaction with the multimedia card and secure digital cards. For more detailed information, refer to the supported MMC and SD specifications in [Section 1.5](#).

2.3.1 MMC/SD Mode Write Sequence

Figure 5 and Table 2 show the signal activity when the MMC/SD controller is in the MMC/SD mode and is writing data to a memory card. The same block length must be defined in the MMC/SD controller and in the memory card before initiating a data write. In a successful write protocol sequence, the following steps occur:

- The MMC/SD controller requests the CSD content.
- The card receives the command and sends the content of the CSD register as its response.
- If the desired block length, WRITE_BL_LEN value, is different from the default value determined from the response, the MMC/SD controller sends the block length command.
- The card receives the command and sends responses to the command.
- The MMC/SD controller requests the card to change states from standby to transfer.
- The card receives the command and sends responses to the command.
- The MMC/SD controller sends a write command to the card.
- The card receives the command and sends responses to the command.
- The MMC/SD controller sends a block of data to the card.
- The card sends the CRC status to the MMC/SD controller.
- The card sends a low BUSY bit until all of the data has been programmed into the flash memory inside the card.

Figure 5. MMC/SD Mode Write Sequence Timing Diagram

Table 2. MMC/SD Mode Write Sequence

Portion of the Sequence	Description
WR CMD	Write command: A 6-byte WRITE_BLOCK command token is sent from the ARM to the card.
CMD RSP	Command response: The card sends a 6-byte response of type R1 to acknowledge the WRITE_BLOCK to the ARM.
DAT BLK	Data block: The ARM writes a block of data to the card. The data content is preceded by one start bit and is followed by two CRC bytes and one end bit.
CRC STAT	CRC status: The card sends a one byte CRC status information, which indicates to the ARM whether the data has been accepted by the card or rejected due to a CRC error. The CRC status information is preceded by one start bit and is followed by one end bit.
BSY	BUSY bit: The CRC status information is followed by a continuous stream of low busy bits until all of the data has been programmed into the flash memory on the card.

2.3.2 MMC/SD Mode Read Sequence

Figure 6 and Table 3 show the signal activity when the MMC controller is in the MMC/SD mode and is reading data from a memory card. The same block length must be defined in the MMC controller and in the memory card before initiating a data read. In a successful read protocol sequence, the following steps occur:

- The MMC/SD controller requests for the CSD content.
- The card receives the command and sends the content of the CSD register as its response.
- If the desired block length, READ_BL_LEN value, is different from the default value determined from the response, the MMC/SD controller sends the block length command.
- The card receives the command and sends responses to the command.
- The MMC/SD controller requests the card to change state from stand-by to transfer.
- The card receives the command and sends responses to the command.
- The MMC/SD controller sends a read command to the card.
- The card drives responses to the command.
- The card sends a block of data to the ARM.

Figure 6. MMC/SD Mode Read Sequence Timing Diagram

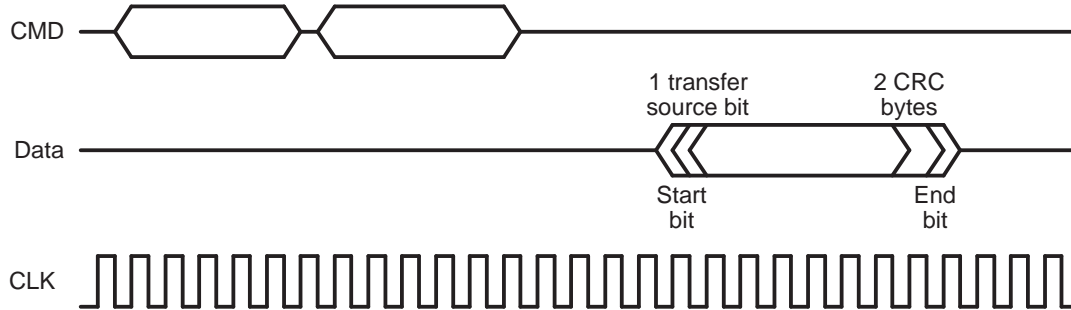


Table 3. MMC/SD Mode Read Sequence

Portion of the Sequence	Description
RD CMD	Read command: A 6-byte READ_SINGLE_BLOCK command token is sent from the ARM to the card.
CMD RSP	Command response: The card sends a response of type R1 to acknowledge the READ_SINGLE_BLOCK command to the ARM.
DAT BLK	Data block: The card sends a block of data to the ARM. The data content is preceded by a start bit and is followed by two CRC byte and an end bit.

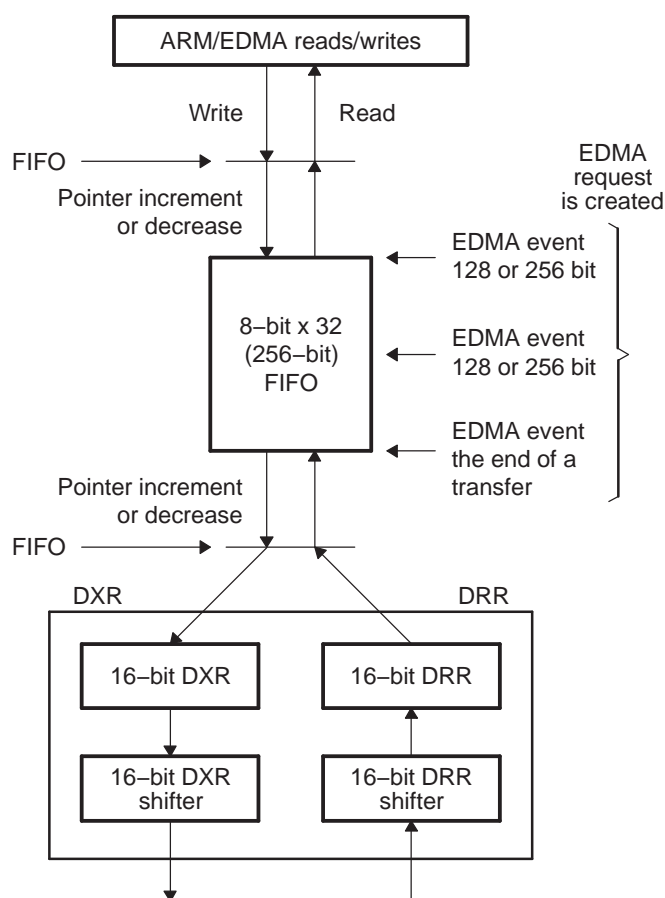
2.4 Data Flow in the Input/Output FIFO

The MMC/SD controller contains a single 256-bit FIFO that is used for both reading data from the memory card and writing data to the memory card (see [Figure 7](#)). The FIFO is organized as 32 eight-bit entries. The conversion from the 32-bit bus to the byte format of the FIFO follows the little-endian convention (details are provided in later sections). The read and write FIFOs act as an interim location to store data transferred from/to the card momentarily via the CPU or EDMA. The FIFO includes logic to generate EDMA events and interrupts based on the amount of data in the FIFO and a programmable number of bytes received/transmitted. Flags are set when the FIFO is full or empty.

A high-level operational description is as follows:

- Data is written to the FIFO through the MMC data transmit register (MMCDXR). Data is read from the FIFO through the MMC data receive register (MMCDRR). This is true for both the CPU and EDMA driven transactions; however, for the EDMA transaction, the EDMA access to the FIFO is transparent.
- The ACCWD bits in the MMC FIFO control register (MMCFIFOCTL) determines the behavior of the FIFO full (FIFOFUL) and FIFO empty (FIFOEMP) status flags in the MMC status register 1 (MMCST1):
 - If ACCWD = 00b:
 - FIFO full is active when the write pointer + 4 > read pointer
 - FIFO empty is active when the write pointer - 4 < read pointer
 - If ACCWD = 01b:
 - FIFO full is active when the write pointer + 3 > read pointer
 - FIFO empty is active when the write pointer - 3 < read pointer
 - If ACCWD = 10b:
 - FIFO full is active when the write pointer + 2 > read pointer
 - FIFO empty is active when the write pointer - 2 < read pointer
 - If ACCWD = 11b:
 - FIFO full is active when the write pointer + 1 > read pointer
 - FIFO empty is active when the write pointer - 1 < read pointer

Figure 7. FIFO Operation Diagram



Transmission of data

- Step 1: Set FIFO reset
- Step 2: Set FIFO direction
- Step 3: EDMA driven transaction
- Step 4: CPU driven transaction: Fill the FIFO by writing to MMCDXR (only first time) or every 128 or 256-bits transmitted and DXRDYINT interrupt is generated
- Step 5: EDMA send xmit data
- Step 6: If DXR ready is active, FIFO → 16-bit DXR

Reception of data

- Step 1: Set FIFO reset
- Step 2: Set FIFO direction
- Step 3: If DRR ready is active, 16-bit DRR → FIFO
- Step 4: EDMA driven transaction
- Step 5: DRRDYINT interrupt occur when FIFO every 128 or 256-bits of data received by FIFO
- Step 6: EDMA read reception data

2.5 Data Flow in the Data Registers (MMCDRR and MMCDXR)

The CPU or EDMA controller can read 32 bits at a time from the FIFO by reading the MMC data receive register (MMCDRR) and write 32 bits at a time to the FIFO by writing to the MMC data transmit register (MMCDXR). However, since the memory card is an 8-bit device, it transmits or receives one byte at a time. Figure 8 and Figure 9 show how the data-size difference is handled by the data registers in little-endian and big-endian configurations, respectively.

Figure 8. Little-Endian Access to MMCDXR/MMCDRR from the ARM CPU or the EDMA

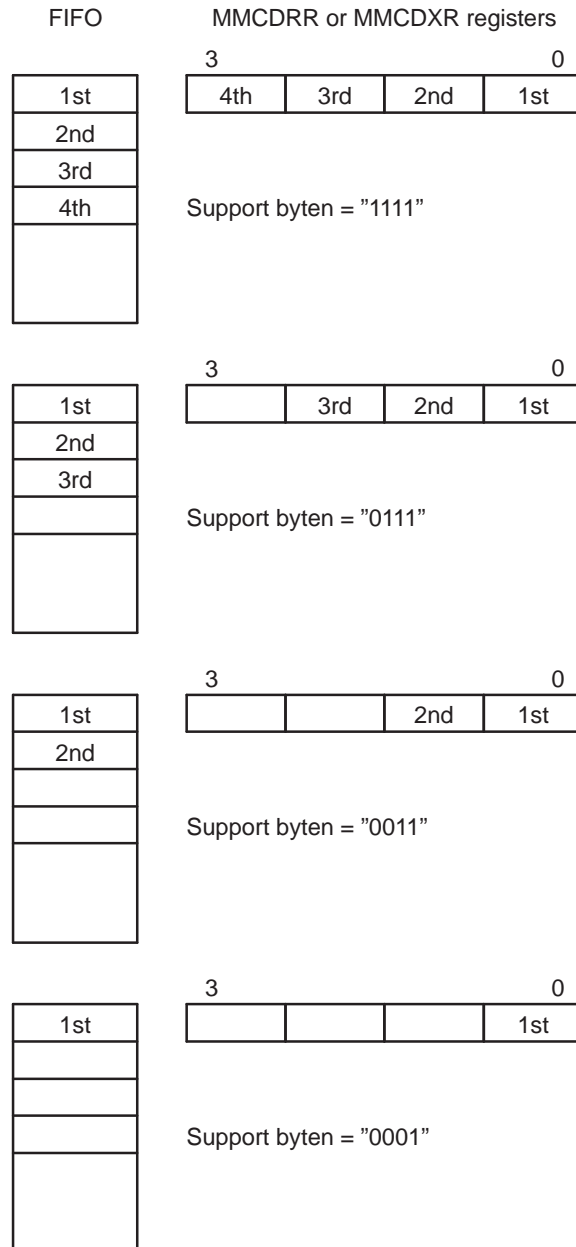
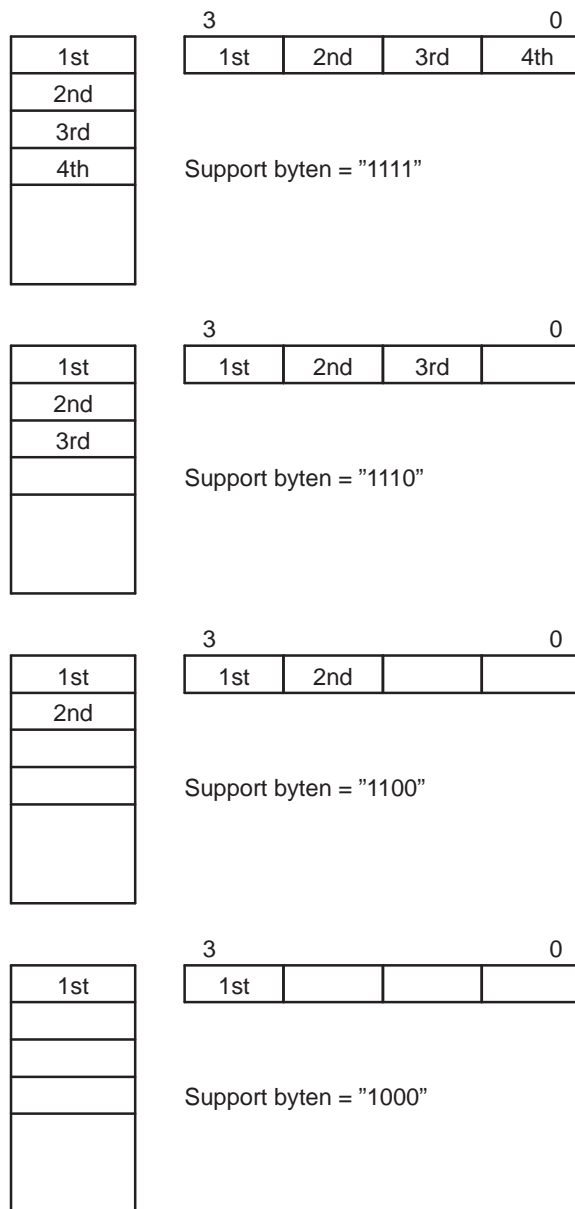


Figure 9. Big-Endian Access to MMCDXR/MMCDRR from the ARM CPU or the EDMA



2.6 FIFO Operation During Card Read Operation

2.6.1 EDMA Reads

The FIFO controller manages the activities of reading the data in from the card and issuing EDMA read events. Each time an EDMA read event is issued, an EDMA read request interrupt generates.

[Figure 10](#) provides details of the FIFO controllers operation. As data is received from the card, it is read into the FIFO. When the number of bytes of data received is equal to the level set by the FIFOLEV bits in MMCFIFOCTL, an EDMA read event is issued and new EDMA events are disabled until the EDMA is done with the transfer issued by the current event. Data is read from the FIFO by way of MMCDRR. The FIFO controller continues to read in data from the card while checking for the EDMA event to occur or for the FIFO to become full. Once the EDMA event finishes, new EDMA events are enabled. If the FIFO fills up, the FIFO controller stops the MMC/SD controller from reading any more data until the FIFO is no longer full.

An EDMA read event generates when the last data arrives, as determined by the MMC block length register (MMCBLEN) and the MMC number of blocks register (MMCNBLK) settings. This EDMA event flushes all of the data that was read from the card from the FIFO.

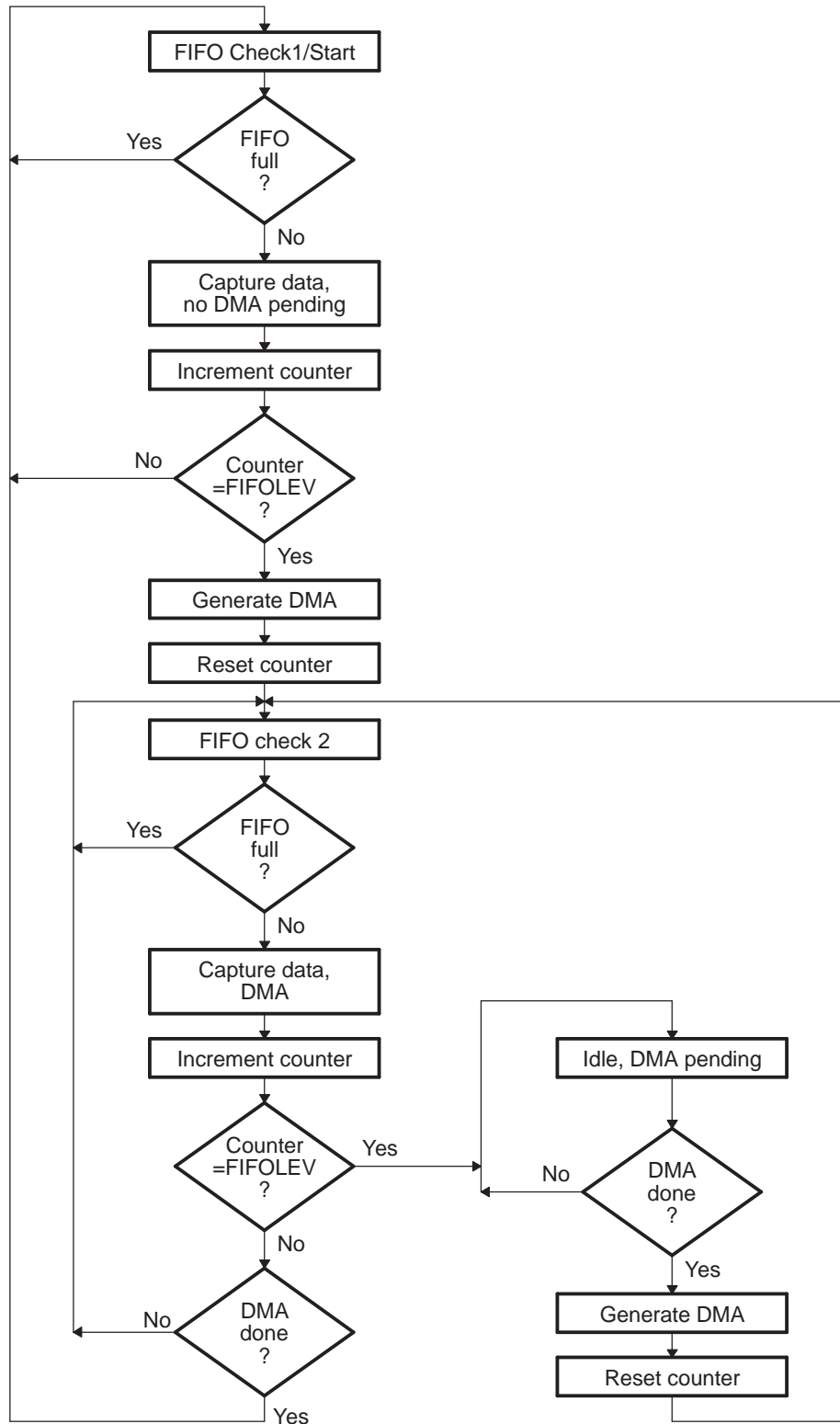
Each time an EDMA read event generates, an interrupt (DRRDYINT) generates and the DRRDY bit in the MMC status register 0 (MMCST0) is also set.

2.6.2 CPU Reads

The system CPU can also directly read the card data by reading the MMC data receive register (MMCDRR). The MMC/SD peripheral supports reads that are 1, 2, 3, or 4 bytes wide as, shown in [Figure 8](#) and [Figure 9](#).

As data is received from the card, it is read into the FIFO. When the number of bytes of data received is equal to the level set by the FIFOLEV bits in MMCFIFOCTL, a DRRDYINT interrupt is issued and the DRRDY bit in the MMC status register 0 (MMCST0) is set. Upon receiving the interrupt, the CPU quickly reads out the bytes received (equal to the level set by the FIFOLEV bits). A DRRDYINT interrupt also generates when the last data arrives as determined by the MMC block length register (MMCBLEN) and the MMC numbers of blocks register (MMCNBLK) settings.

Figure 10. FIFO Operation During Card Read Diagram



2.7 FIFO Operation During Card Write Operation

2.7.1 EDMA Writes

The FIFO controller manages the activities of accepting data from the CPU or EDMA and passing the data to the MMC/SD controller. The FIFO controller issues EDMA write events as appropriate. Each time an EDMA write event is issued, an EDMA write request interrupt generates. Data is written into the FIFO through MMCDXR. Note that the EDMA access to MMCDXR is transparent.

[Figure 11](#) provides details of the FIFO controller's operation. The CPU or EDMA controller writes data into the FIFO. The FIFO passes the data to the MMC/SD controller which manages writing the data to the card. When the number of bytes of data in the FIFO is less than the level set by the FIFOLEV bits in MMCFIFOCTL, an EDMA write event is issued and new EDMA events are disabled. The FIFO controller continues to transfer data to the MMC/SD controller while checking for the EDMA event to finish or for the FIFO to become empty. Once the EDMA event finishes, new EDMA events are enabled. If the FIFO becomes empty, the FIFO controller informs the MMC/SD controller.

Each time an EDMA write event generates, an interrupt (DXRDYINT) generates and the DXRDY bit in the MMC status register 0 (MMCST0) is also set.

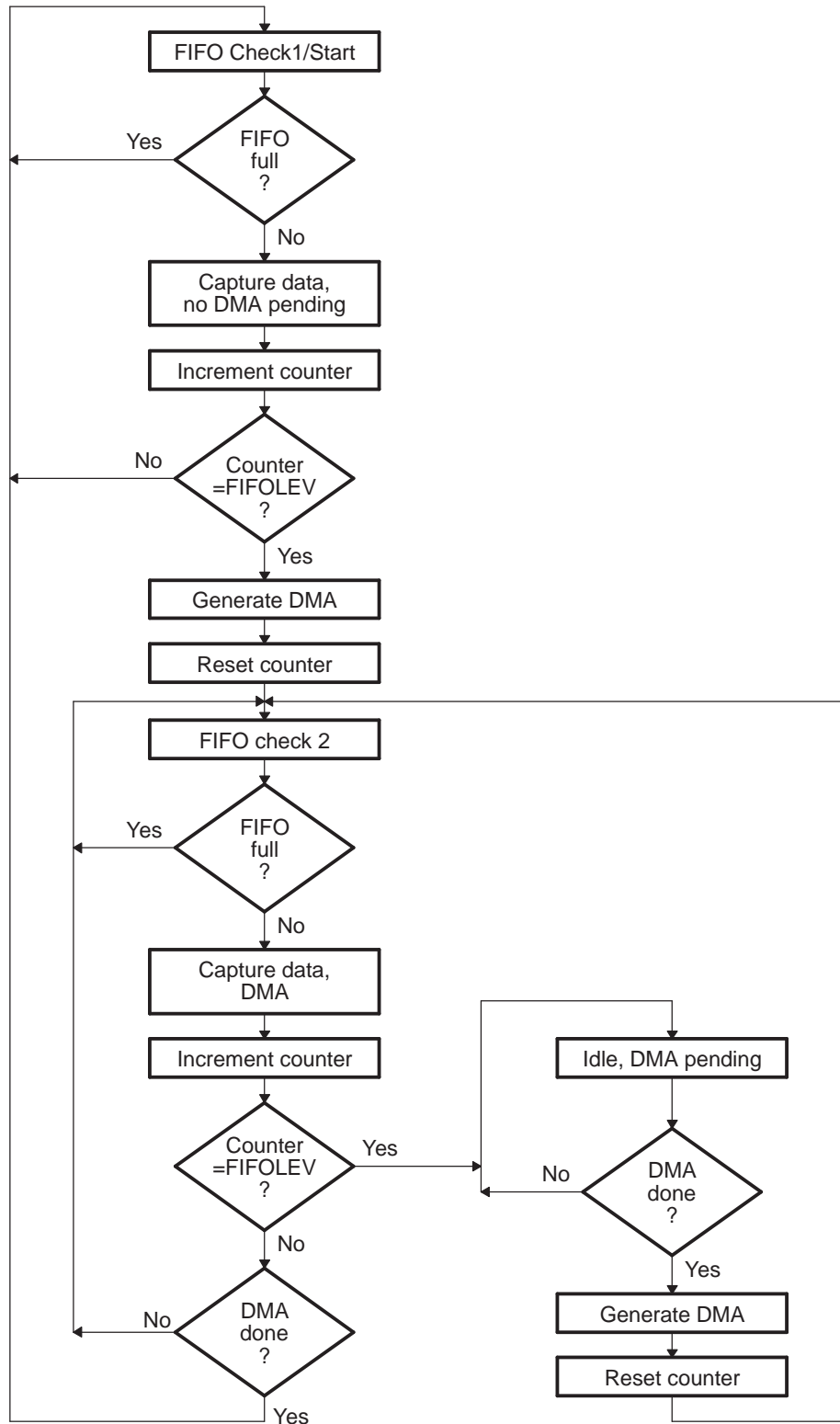
2.7.2 CPU Writes

The system CPU can also directly write the card data by writing the MMC data transmit register (MMCDXR). The MMC/SD peripheral supports writes that are 1, 2, 3, or 4 bytes wide, as shown in [Figure 8](#) and [Figure 9](#).

The CPU makes use of the FIFO to transfer data to the card via the MMC/SD controller. The CPU writes the data to be transferred into MMCDXR. As is the case with the EDMA driven transaction, when the number of data in the FIFO is less than the level set by the FIFOLEV bits in MMCFIFOCTL, a DXRDYINT interrupt generates and the DXRDY bit in the MMC status register 0 (MMCST0) is set to signify to the CPU that space is available for new data.

Note: When starting the write transaction, the CPU is responsible for getting the FIFO ready to start transferring data by filling up the FIFO with data prior to invoking/posting the write command to the card. Filling up the FIFO is a requirement since no interrupt/event generates at the start of the write transfer.

Figure 11. FIFO Operation During Card Write Diagram



2.8 Reset Considerations

The MMC/SD peripheral has two reset sources: hardware reset and software reset.

2.8.1 Software Reset Considerations

A software reset (such as a reset that the emulator generates) does not cause the MMC/SD controller registers to alter. After a software reset, the MMC/SD controller continues to operate as it was configured prior to the reset.

2.8.2 Hardware Reset Considerations

A hardware reset of the processor causes the MMC/SD controller registers to return to their default values after reset.

2.9 Initialization

2.9.1 MMC/SD Controller Initialization

The general procedure for initializing the MMC/SD controller is given in the following steps. Details about the registers or register bit fields to be configured in the MMC/SD mode are in the subsequent subsections.

1. Place the MMC/SD controller in its reset state by setting the CMDRST bit and DATRST bit in the MMC control register (MMCCTL). You can set other bits in MMCCTL after reset.
2. Write the required values to other registers to complete the MMC/SD controller configuration.
3. Clear the CMDRST bit and the DATRST bit in MMCCTL to release the MMC/SD controller from its reset state. It is recommended not to rewrite the values that are written to the other bits of MMCCTL in [Step 1](#).
4. Enable the SD_CLK pin so that the memory clock is sent to the memory card by setting the CLKEN bit in the MMC memory clock control register (MMCCLK).

Note: The MMC/SD cards require a clock frequency of 400 kHz or less for the card initialization procedure. Make sure that the memory clock confirms this requirement. Once card initialization completes, you can adjust the memory clock up to the lower of the card capabilities or the maximum frequency that is supported.

2.9.2 Initializing the MMC Control Register (MMCCTL)

The bits in the MMC control register (MMCCTL) affect the operation of the MMC/SD controller. The subsections that follow help you decide how to initialize each of control register bits.

In the MMC/SD mode, the MMC/SD controller must know how wide the data bus must be for the memory card that is connected. If an MMC card is connected, specify a 1-bit data bus (WIDTH = 0 in MMCCTL); if an SD card is connected, specify a 4-bit data bus (WIDTH = 1 in MMCCTL).

To place the MMC/SD controller in its reset state and disable it, set the CMDRST bit and DATRST bit in MMCCTL. The first step of the MMC/SD controller initialization process is to disable both sets of logic. When initialization is complete, but before you enable the SD_CLK pin, clear the CMDRST bit and DATRST bit in MMCCTL to enable the MMC/SD controller.

2.9.3 Initializing the Clock Controller Registers (MMCCLK)

A clock divider in the MMC/SD controller divides-down the function clock to produce the memory clock. Load the divide-down value into the CLKRT bits in the MMC memory clock control register (MMCCLK). The divide-down value is determined by the following equation:

$$\text{memory clock frequency} = \text{function clock frequency} / (2 \times (\text{CLKRT} + 1))$$

The CLKEN bit in MMCCLK determines whether the memory clock appears on the SD_CLK pin. If you clear the CLKEN to 0, the memory clock is not provided except when required.

2.9.4 Initialize the Interrupt Mask Register (MMCIM)

The bits in the MMC interrupt mask register (MMCIM) individually enable or disable the interrupt requests. To enable the associated interrupt request, set the corresponding bit in MMCIM. To disable the associated interrupt request, clear the corresponding bit. Load zeros into the bits that are not used in the MMC/SD mode.

2.9.5 Initialize the Time-Out Registers (MMCTOR and MMCTOD)

Specify the time-out period for responses using the MMC response time-out register (MMCTOR) and the time-out period for reading data using the MMC data read time-out register (MMCTOD).

When the MMC/SD controller sends a command to a memory card, it must often wait for a response. The MMC/SD controller can wait indefinitely or up to 255 memory clock cycles. If you load 0 into MMCTOR, the MMC/SD controller waits indefinitely for a response. If you load a nonzero value into MMCTOR, the MMC/SD controller stops waiting after the specified number of memory clock cycles and then sets a response time-out flag (TOUTRS) in the MMC status register 0 (MMCST0). If you enable the associated interrupt request, the MMC/SD controller also sends an interrupt request to the ARM.

When the MMC/SD controller requests data from a memory card, it can wait indefinitely for that data or it can stop waiting after a programmable number of cycles. If you load 0 into MMCTOD, the MMC/SD controller waits indefinitely. If you load a nonzero value into MMCTOD, the MMC/SD controller waits the specified number of memory clock cycles and then sets a read data time-out flag (TOUTRD) in MMCST0. If you enable the associated interrupt request, the MMC/SD controller also sends an interrupt request to the ARM.

2.9.6 Initialize the Data Block Registers (MMCBLEN and MMCNBLK)

Specify the number of bytes in a data block in the MMC block length register (MMCBLEN) and the number of blocks in a multiple-block transfer in the MMC number of blocks register (MMCNBLK).

You must define the size for each block of data transferred between the MMC/SD controller and a memory card in MMCBLEN. The valid size depends on the type of read/write operations. A length of 0 bytes is prohibited.

For multiple-block transfers, you must specify how many blocks of data are to be transferred between the MMC/SD controller and a memory card. You can specify an infinite number of blocks by loading 0 into MMCNBLK. When MMCNBLK = 0, the MMC/SD controller continues to transfer data blocks until the transferring is stopped with a STOP_TRANSMISSION command. To transfer a specific number of blocks, load MMCNBLK with a value from 1 to 65 535.

2.9.7 Monitoring Activity in the MMC/SD Mode

This section describes registers and specific register bits that you can use to obtain the status of the MMC/SD controller in the MMC/SD mode. You can determine the status of the MMC/SD controller by reading the bits in the MMC status register 0 (MMCST0) and MMC status register 1 (MMCST1).

2.9.7.1 Determining Whether New Data is Available in MMCDRR

The MMC/SD controller sets the DRRDY bit in MMCST0 when the data in the FIFO is greater than the threshold set in the MMC FIFO control register (MMCFIFOCTL). If the interrupt request is enabled (EDRRDY = 1 in MMCIM), the ARM is notified of the event by an interrupt. A read of the MMC data receive register (MMCDRR) clears the DRRDY flag.

2.9.7.2 Verifying that MMCDXR is Ready to Accept New Data

The MMC/SD controller sets the DXRDY bit in MMCST0 when the amount of data in the FIFO is less than the threshold set in the MMC FIFO control register (MMCFIFOCTL). If the interrupt request is enabled (EDXRDY = 1 in MMCIM), the ARM is notified of the event by an interrupt.

2.9.7.3 Checking for CRC Errors

The MMC/SD controller sets the CRCRS, CRCRD, and CRCWR bits in MMCST0 in response to the corresponding CRC errors of command response, data read, and data write. If the interrupt request is enabled (ECRCRS/ECRCRD/ECRCWR = 1 in MMCIM), the ARM is notified of the CRC error by an interrupt.

2.9.7.4 Checking for Time-Out Events

The MMC/SD controller sets the TOUTRS and TOUTRD bits in MMCST0 in response to the corresponding command response or data read time-out event. If the interrupt request is enabled (ETOUTRS/ETOUTRD = 1 in MMCIM), the ARM is notified of the event by an interrupt.

2.9.7.5 Determining When a Response/Command is Done

The MMC/SD controller sets the RSPDNE bit in MMCST0 when the response is done; or in the case of commands that do not require a response, when the command is done. If the interrupt request is enabled (ERSPDNE = 1 in MMCIM), the ARM is also notified.

2.9.7.6 Determining Whether the Memory Card is Busy

The card sends a busy signal either when waiting for an R1b-type response or when programming the last write data into its flash memory. The MMC/SD controller has two flags to notify you whether the memory card is sending a busy signal. The two flags are complements of each other:

- The BSYDNE flag in MMCST0 is set if the card did not send or is not sending a busy signal when the MMC/SD controller is expecting a busy signal (BSYEXP = 1 in MMCCMD). The interrupt by this bit is enabled by a corresponding interrupt enable bit (EBSYDNE = 1 in MMCIM).
- The BUSY flag in MMCST1 is set when a busy signal is received from the card.

2.9.7.7 Determining Whether a Data Transfer is Done

The MMC/SD controller sets the DATDNE bit in MMCST0 when all of the bytes of a data transfer have been transmitted/received. The DATDNE bit is polled to determine when to stop writing to the data transmit register (for a write operation) or when to stop reading from the data receive register (for a read operation). The ARM is also notified of the time-out event by an interrupt if the interrupt request is enabled (EDATDNE = 1 in MMCIM).

2.9.7.8 Determining When Last Data has Been Written to Card (SanDisk SD cards)

Some SanDisk brand SD™ cards exhibit a behavior that requires a multiple-block write command to terminate with a STOP (CMD12) command before the data write sequence completes. To enable support of this function, the transfer done interrupt (TRNDNE) is provided. Set the ETRNDNE bit in MMCIM to enable the TRNDNE interrupt. This interrupt is issued when the last byte of data (as defined by MMCNBLK and MMCBLEN) is transferred from the FIFO to the output shift register. The CPU should respond to this interrupt by sending a STOP command to the card. This interrupt differs from DATDNE by timing. DATDNE does not occur until after the CRC and memory programming are complete.

2.9.7.9 Checking For a Data Transmit Empty Condition

During transmission, a data value is passed from the MMC data transmit register (MMCDXR) to the data transmit shift register. The data is then passed from the shift register to the memory card one bit at a time. The DXEMP bit in MMCST1 indicates when the shift register is empty.

Typically, the DXEMP bit is not used to control data transfers; rather, it is checked during recovery from an error condition. There is no interrupt associated with the DXEMP bit.

2.9.7.10 Checking for a Data Receive Full Condition

During reception, the data receive shift register accepts a data value one bit at a time. The entire value is then passed from the shift register to the MMC data receive register (MMCDRR). The DRFUL bit in MMCST1 indicates that when the shift register is full no new bits can be shifted in from the memory card.

The DRFUL bit is not typically used to control data transfers; rather, it is checked during recovery from an error condition. There is no interrupt associated with the DRFUL bit.

2.9.7.11 Checking the Status of the SD_CLK Pin

Read the CLKSTP bit in MMCST1 to determine whether the memory clock has been stopped on the SD_CLK pin.

2.9.7.12 Checking the Remaining Block Count During a Multiple-Block Transfer

During a transfer of multiple data blocks, the MMC number of blocks counter register (MMCNBLC) indicates how many blocks are remaining to be transferred. The MMCNBLC is a read-only register.

2.10 Interrupt Support

2.10.1 Interrupt Events and Requests

The MMC/SD controller generates the interrupt requests described in Table 4. When an interrupt event occurs, its flag bit is set in the MMC status register 0 (MMCST0). If the enable bits corresponding to each flag are set in the MMC interrupt mask register (MMCIM), an interrupt request generates. All such requests are multiplexed to a single MMC/SD interrupt request from the MMC/SD peripheral to the ARM CPU.

The MMC/SD interrupts are part of the maskable ARM interrupts. The ARM interrupt 26 (INT26) is associated with MMC functions and the ARM interrupt 27 (INT27) is associated with SD functions. The interrupt service routine (ISR) for the MMC/SD interrupt can determine the event that caused the interrupt by checking the bits in MMCST0. When MMCST0 is read, all register bits automatically clear. During a middle of data transfer, the DXRDY and DRRDY bits are set during every 128-byte or 256-byte transfer, depending on the the MMC FIFO control register (MMCFIFOCTL) setting. Performing a write and a read in response to the interrupt generated by the FIFO automatically clears the corresponding interrupt bit/flag.

Note: You must be aware that an emulation read of the status register clears the interrupt status flags. To avoid inadvertently clearing the flag, be careful while monitoring MMCST0 via the debugger.

2.10.2 Interrupt Multiplexing

The interrupts from the MMC/SD peripheral to the ARM CPU are not multiplexed with any other interrupt source.

Table 4. Description of MMC/SD Interrupt Requests

Interrupt Request	Interrupt Event
TRNDNEINT	For read operations: The MMC/SD controller has received the last byte of data (before CRC check). For write operations: The MMC/SD controller has transferred the last word of data to the output shift register.
DATEDINT	An edge was detected on the DAT3 pin.
DRRDYINT	MMCDRR is ready to be read (data in FIFO is above threshold).
DXRDYINT	MMCDXR is ready to transmit new data (data in FIFO is less than threshold).
CRCRSINT	A CRC error was detected in a response from the memory card.
CRCRDINT	A CRC error was detected in the data read from the memory card.
CRCWRINT	A CRC error was detected in the data written to the memory card.
TOUTRSINT	A time-out occurred while the MMC controller was waiting for a response to a command.
TOUTRDINT	A time-out occurred while the MMC controller was waiting for the data from the memory card.
RSPDNEINT	For a command that requires a response: The MMC controller has received the response without a CRC error. For a command that does not require a response: The MMC controller has finished sending the command.
BSYDNEINT	The memory card stops or is no longer sending a busy signal when the MMC controller is expecting a busy signal.
DATDNEINT	For read operations: The MMC controller has received data without a CRC error. For write operations: The MMC controller has finished sending data.

2.11 DMA Event Support

The MMC/SD controller is capable of generating EDMA events for both read and write operations in order to request service from an EDMA controller. Based on the FIFO threshold setting, the EDMA event signals generate every time 128-bit or 256-bit data is transferred from the FIFO.

2.12 Power Management

You can put the MMC/SD peripheral in reduced-power modes to conserve power during periods of low activity. The processor power and sleep controller (PSC) controls the power management of the MMC/SD peripheral. The PSC acts as a master controller for power management for all of the peripherals on the device. For detailed information on power management procedures using the PSC, see the *TMS320DM644x DMSoC ARM Subsystem Reference Guide* ([SPRUE14](#)).

2.13 Emulation Considerations

The MMC/SD peripheral is not affected by emulation halt events (such as breakpoints).

3 Procedures for Common Operations

3.1 Card Identification Operation

Before the MMC/SD controller starts data transfers to or from memory cards in the MMC/SD native mode, it must first identify how many cards are present on the bus and configure them. For each card that responds to the ALL_SEND_CID broadcast command, the controller reads that card's unique card identification address (CID) and then assigns it a relative address (RCA). This address is much shorter than the CID and the MMC/SD controller uses this address to identify the card in all future commands that involve the card.

Only one card completes the response to ALL_SEND_CID at any one time. The absence of any response to ALL_SEND_CID indicates that all cards have been identified and configured.

Note: The following steps assume that the MMC/SD controller is configured to operate in MMC or SD mode, and the memory clock frequency on the CLK pin is set for 400 kHz or less.

The procedure for a card identification operation is issued in open-drain bus mode for both MMC and SD cards.

3.1.1 MMC Card Identification Procedure

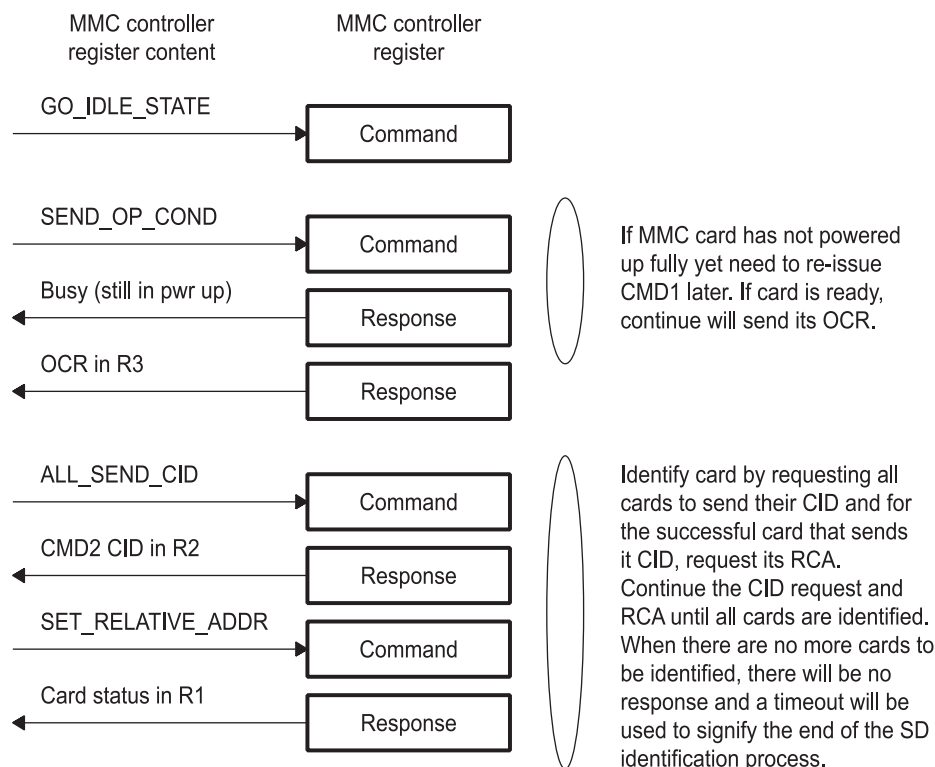
The MMC card identification procedure is:

1. Use the MMC command register (MMCCMD) to issue the GO_IDLE_STATE (CMD0) command to the MMC cards. Using MMCCMD to issue the CMD0 command puts all cards (MMC and SD) in the idle state and no response from the cards is expected.
2. Use MMCCMD to issue the SEND_OP_CMD (CMD1) command with the voltage range supported (R3 response, if it is successful; R1b response, if the card is expected to be busy). Using MMCCMD to issue the CMD1 command allows the host to identify and reject cards that do not match the VDD range that the host supports.
3. If the response in step 2 is R1b (that is, the card is still busy due to power up), then go back to step 2. If the card is not busy, continue to step 4.
4. Use MMCCMD to send the ALL_SEND_CID (CMD2) command (R2 response is expected) to the MMC cards. Using MMCCMD to send the CMD2 command notifies all cards to send their unique card identification (CID) number. There should only be one card that successfully sends its full CID number to the host. The successful card goes into the identification state and does not respond to this command again.
5. Use MMCCMD to issue the SET_RELATIVE_ADDR (CMD3) command (R1 response is expected) in order to assign an address that is shorter than the CID number that will be used in the future to address the card in the future data transfer mode.

Note: This command is only addressed to the card that successfully sent its CID number in step 4. This card now goes into standby mode. This card also changes its output drivers from open-drain to push-pull. It stops replying to the CMD2 command, allowing for the identification of other cards.

6. Repeat step 4 and step 5 to identify and assign relative addresses to all remaining cards until no card responds to the CMD1 command. No card responding within 5 memory clock cycles indicates that all cards have been identified and the MMC card identification procedure terminates.

The sequence of events in this operation is shown in [Figure 12](#).

Figure 12. MMC Card Identification Procedure


3.1.2 SD Card Identification Procedure

The SD card identification procedure is:

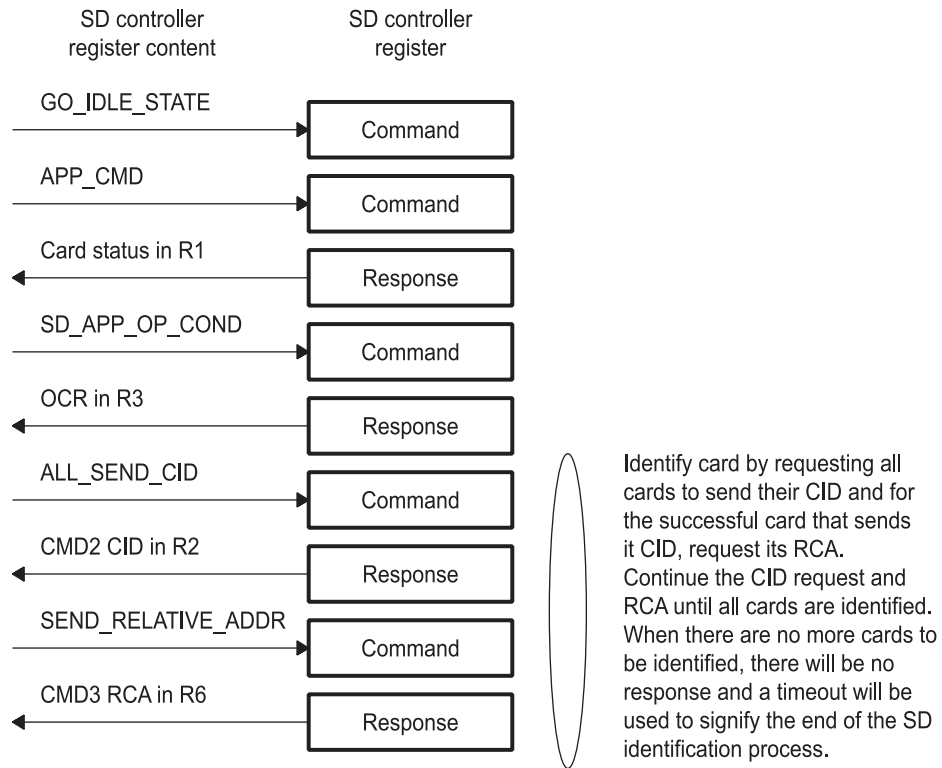
1. Use the MMC command register (MMCCMD) to issue the GO_IDLE_STATE (CMD0) command to the MMC cards. Using MMCCMD to issue the CMD0 command puts all cards (MMC and SD) in the idle state and no response from the cards is expected.
2. Use MMCCMD to issue the APP_CMD (CMD55) command (R1 response is expected) to indicate that the command that follows is an application command.
3. Use MMCCMD to send the SD_SEND_OP_COND (ACMD41) command with the voltage range supported (R3 response is expected) to SD cards. Using MMCCMD to send the ACMD41 command allows the host to identify and reject cards that do not match the VDD range that the host supports.
4. Use MMCCMD to send the ALL_SEND_CID (CMD2) command (R2 response is expected) to the MMC cards. Using MMCCMD to send the CMD2 command notifies all cards to send their unique card identification (CID) number. There should only be one card that successfully sends its full CID number to the host. The successful card goes into identification state and does not respond to this command again.
5. Use MMCCMD to issue the SEND_RELATIVE_ADDR (CMD3) command (R1 response is expected) in order to ask the card to publish a new relative address for future use to address the card in data transfer mode.

Note: This command is only addressed to the card that successfully sent its CID number in step 4. This card now goes into standby mode. This card also changes its output drivers from open-drain to push-pull. It stops replying to the CMD2 command, allowing for the identification of other cards.

6. Repeat step 4 and step 5 to identify and retrieve relative addresses from all remaining SD cards until no card responds to the CMD2 command. No card responding within 5 memory clock cycles indicates that all cards have been identified and the MMC card and the identification procedure terminates.

The sequence of events in this operation is shown in [Figure 13](#).

Figure 13. SD Card Identification Procedure



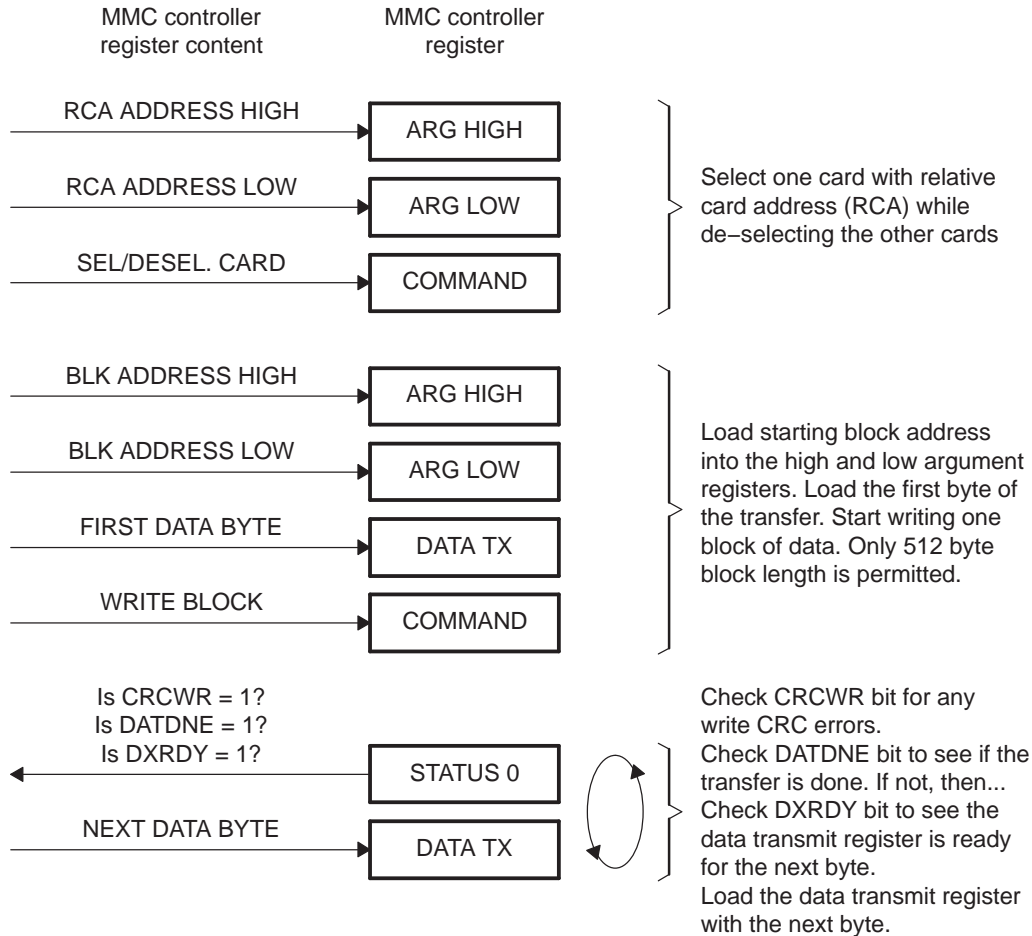
3.2 MMC/SD Mode Single-Block Write Operation Using CPU

To perform a single-block write, the block length must be 512 bytes and the same length needs to be set in both the MMC/SD controller and the memory card. The procedure for this operation is:

1. Write the card's relative address to the MMC argument registers (MMCARGH and MMCARGL). Load the higher part of the address to MMCARGH and the low part of the address to MMCARGL.
2. Use the MMC command register (MMCCMD) to send the SELECT/DESELECT_CARD broadcast command. This selects the addressed card and deselects the others.
3. Write the destination start address to the MMC argument registers. Load the high part to the MMCARGH register and the low part to MMCARGL.
4. Read the card CSD to determine the card's maximum block length.
5. Use MMCCMD to send the SET_BLOCKLEN command (if the block length is different than the length used in the previous operation). The block length must be a multiple of 512 bytes and less than the maximum block length specified in the CSD.
6. Reset the FIFO (FIFORST bit in MMCFIFOCTL).
7. Set the FIFO direction to transmit (FIFODIR bit in MMCFIFOCTL).
8. Set the access width (ACCWD bits in MMCFIFOCTL).
9. Enable the MMC interrupt.
10. Enable the DXRDYINT interrupt.
11. Write the first 32 bytes of the data block to the data transmit register (MMCDXR).
12. Use MMCCMD to send the WRITE_BLOCK command to the card.
13. Wait for the MMC interrupt.
14. Use the MMC status register 0 (MMCST0) to check for errors and the status of the FIFO. If all of the data has not been written and if the FIFO is not full, go to step 15. If all of the data has been written, stop.
15. Write the next n bytes (this depends on the setting of the FIFOLEV bit in MMCFIFOCTL: 0 = 16 bytes, 1 = 32 bytes) of the data block to the MMC data transmit register (MMCDXR) and go to step 13.

The sequence of events in this operation is shown in [Figure 14](#).

Figure 14. MMC/SD Mode Single-Block Write Operation



3.3 MMC/SD Mode Single-Block Write Operation Using the EDMA

To perform a single-block write, the block length must be 512 bytes and the same length must be set in both the MMC/SD controller and the card.

The procedure for this operation is as follows:

1. Write the card's relative address to the MMC argument registers (MMCARGH and MMCARGL). Load the high part of the address to MMCARGH and the low part of the address to MMCARGL.
2. Read the card CSD to determine the card's maximum block length.
3. Use the MMC command register (MMCCMD) to send the SET_BLOCKLEN command (if the block length is different than the length used in the previous operation). The block length must be a multiple of 512 bytes and less than the maximum block length specified in the CSD.
4. Reset the FIFO (FIFORST bit in MMCFIFOCTL).
5. Set the FIFO direction to transmit (FIFODIR bit in MMCFIFOCTL).
6. Set the access width (ACCWD bits in MMCFIFOCTL).
7. Set the FIFO threshold (FIFOLEV bit in MMCFIFOCTL).
8. Set up the DMA (DMA size must be greater than or equal to the FIFOLEV setting).
9. Use MMCCMD to send the WRITE_BLOCK command to the card (set the DMATRIG bit in MMCCMD to trigger the first DMA).
10. Wait for the DMA sequence to complete or for the DATADNE flag in the MMC status register 0 (MMCST0) to be set.
11. Use MMCST0 to check for errors.

3.4 MMC/SD Mode Single-Block Read Operation Using the CPU

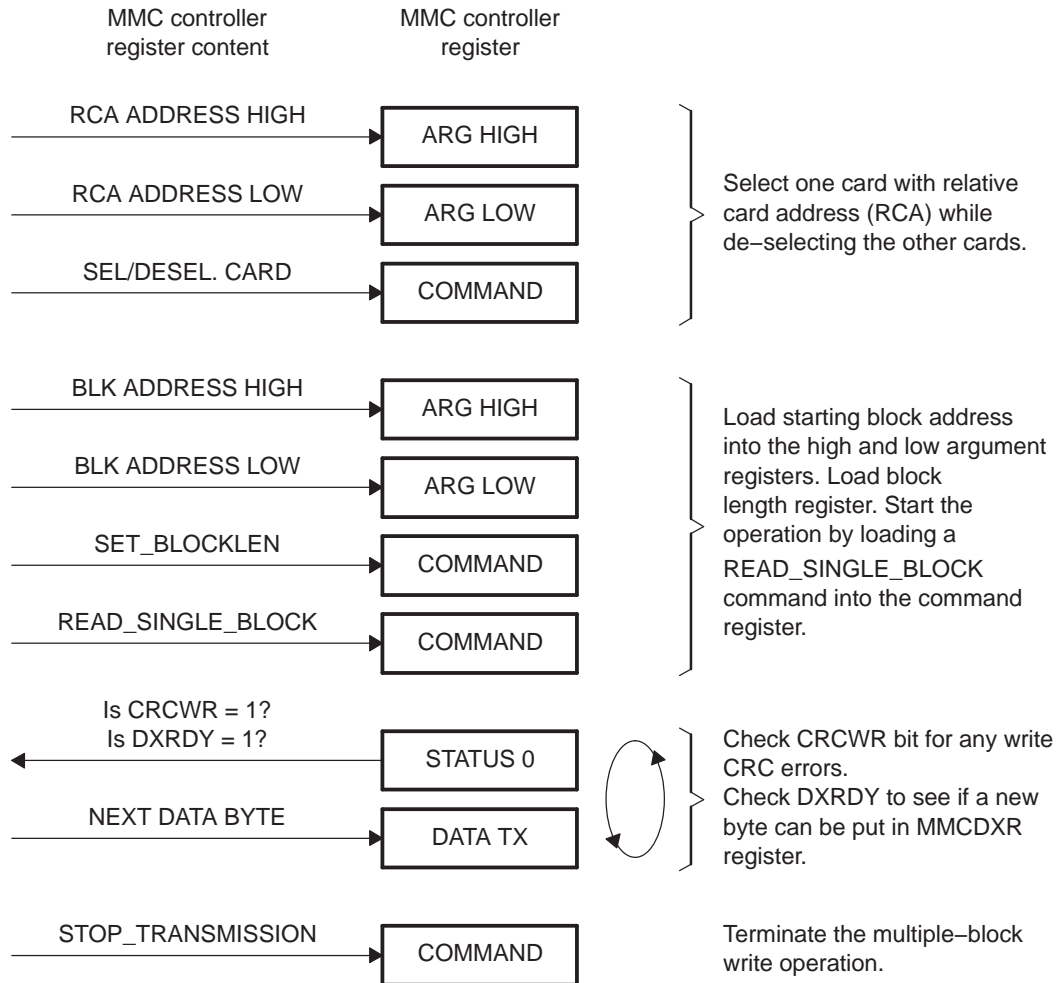
To perform a single-block read, the same block length must be set in both the MMC/SD controller and the card.

The procedure for this operation is as follows:

1. Write the card's relative address to the MMC argument registers (MMCARGH and MMCARGL). Load the high part of the address to MCARGH and the low part of the address to MMCARGL.
2. Use the MMC command register (MMCCMD) to send the SELECT/DESELECT_CARD broadcast command. This selects the addressed card and deselects the others.
3. Write the source start address to the MMC argument registers. Load the high part to MMCARGH and the low part to MMCARGL.
4. Read card CSD to determine the card's maximum block length.
5. Use MMCCMD to send the SET_BLOCKLEN command (if the block length is different than the length used in the previous operation). The block length must be a multiple of 512 bytes and less than the maximum block length specified in the CSD.
6. Reset the FIFO (FIFORST bit in MMCFIFOCTL).
7. Set the FIFO direction to receive (FIFODIR bit in MMCFIFOCTL).
8. Set the access width (ACCWD bits in MMCFIFOCTL).
9. Set the FIFO threshold (FIFOLEV bit in MMCFIFOCTL).
10. Enable the MMC interrupt.
11. Enable the DRRDYINT interrupt.
12. Use MMCCMD to send the READ_SINGLE_BLOCK command.
13. Wait for the MMC interrupt.
14. Use the MMC status register 0 (MMCST0) to check for errors and the status of the FIFO. If the FIFO is not empty, go to step 15. If the all of the data has been read, stop.
15. Read the next *n* bytes of data (this depends on the setting of the FIFOLEV bit in MMCFIFOCTL: 0 = 16 bytes, 1 = 32 bytes) from the MMC data receive register (MMCDRR) and go to step 13.

The sequence of events in this operation is shown in [Figure 15](#).

Figure 15. MMC/SD Mode Single-Block Read Operation



3.5 MMC/SD Mode Single-Block Read Operation Using EDMA

To perform a single-block read, the same block length needs to be set in both the MMC/SD controller and the card. The procedure for this operation is:

1. Write the card's relative address to the MMC argument registers (MMCARGH and MMCARGL). Load the high part of the address to MMCARGH and the low part of the address to MMCARGL.
2. Read card CSD to determine the card's maximum block length.
3. Use the MMC command register (MMCCMD) to send the SET_BLOCKLEN command (if the block length is different than the length used in the previous operation). The block length must be a multiple of 512 bytes and less than the maximum block length specified in the CSD.
4. Reset the FIFO (FIFORST bit in MMCFIFOCTL).
5. Set the FIFO direction to receive (FIFODIR bit in MMCFIFOCTL).
6. Set the access width (ACCWD bits in MMCFIFOCTL).
7. Set the FIFO threshold (FIFOLEV bit in MMCFIFOCTL).
8. Set up DMA (DMA size needs to be greater than or equal to FIFOLEV setting).
9. Use MMCCMD to send the READ_BLOCK command to the card.
10. Wait for DMA sequence to complete.
11. Use the MMC status register 0 (MMCST0) to check for errors.

3.6 MMC/SD Mode Multiple-Block Write Operation Using CPU

To perform a multiple-block write, the same block length needs to be set in both the MMC/SD controller and the card.

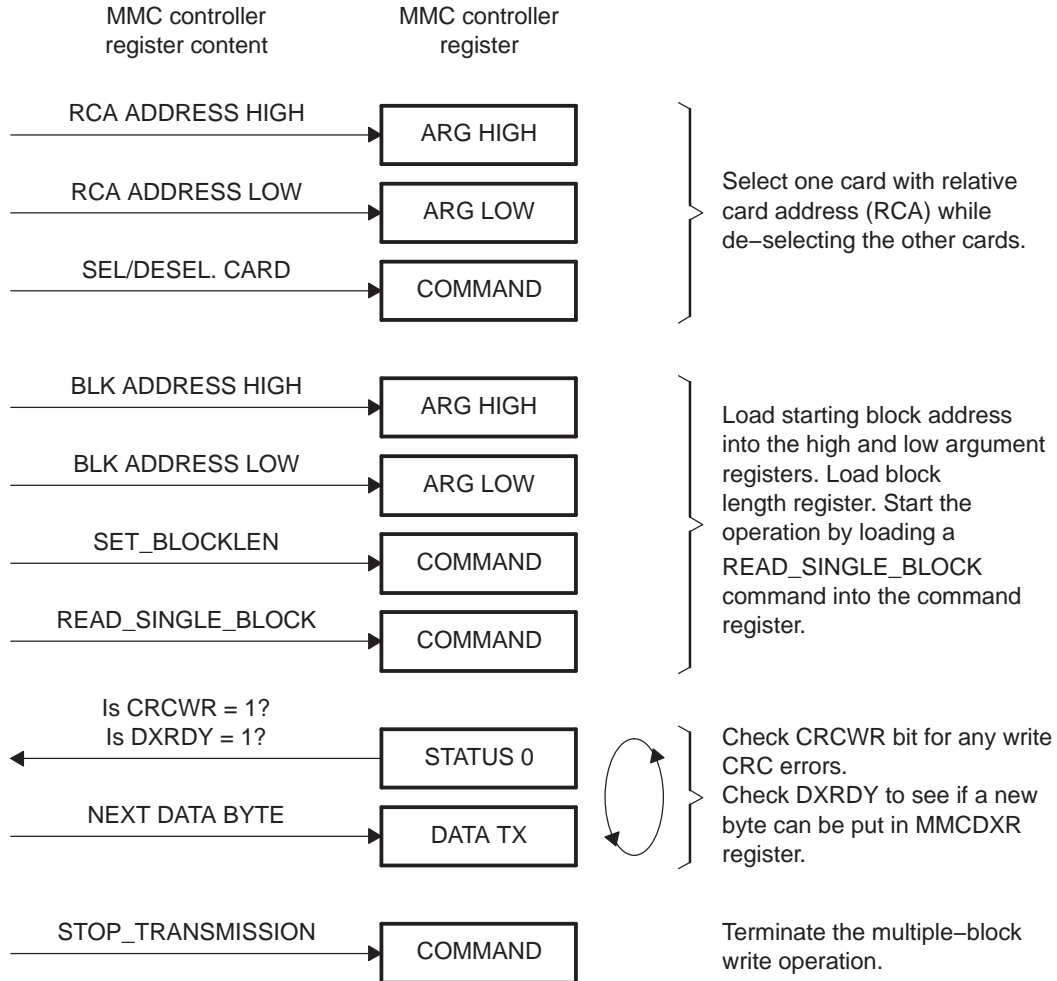
Note: The procedure in this section uses a STOP_TRANSMISSION command to end the block transfer. This assumes that the value in the MMC number of blocks counter register (MMCNBLK) is 0. A multiple-block operation terminates itself if you load MMCNBLK with the exact number of blocks you want transferred.

The procedure for this operation is:

1. Write the card's relative address to the MMC argument registers (MMCARGH and MMCARGL). Load the high part of the address to MMCARGH and the low part of the address to MMCARGL.
2. Read card CSD to determine the card's maximum block length.
3. Use the MMC command register (MMCCMD) to send the SET_BLOCKLEN command (if the block length is different than the length used in the previous operation). The block length must be a multiple of 512 bytes and less than the maximum block length specified in the CSD.
4. Reset the FIFO (FIFORST bit in MMCFIFOCTL).
5. Set the FIFO direction to transmit (FIFODIR bit in MMCFIFOCTL).
6. Set the access width (ACCWD bits in MMCFIFOCTL).
7. Set the FIFO threshold (FIFOLEV bit in MMCFIFOCTL).
8. Enable the MMC interrupt.
9. Enable DXRDYINT interrupt.
10. Write the first 32 bytes of the data block to the MMC data transmit register (MMCDXR).
11. Use MMCCMD to send the WRITE_MULTI_BLOCK command to the card.
12. Wait for MMC interrupt.
13. Use the MMC status register 0 (MMCST0) to check for errors and to determine the status of the FIFO. If more bytes are to be written and the FIFO is not full, go to step 14. If all of the data has been written, go to step 15.
14. Write the next n bytes (depends on setting of FIFOLEV in MMCFIFOCTL: 0 = 16 bytes, 1 = 32 bytes) of the data block to MMCDXR, and go to step 12.
15. Use MMCCMD to send the STOP_TRANSMISSION command.

The sequence of events in this operation is shown in [Figure 16](#).

Figure 16. MMC/SD Multiple-Block Write Operation



3.7 MMC/SD Mode Multiple-Block Write Operation Using EDMA

To perform a multiple-block write, the same block length needs to be set in both the MMC/SD controller and the card. The procedure for this operation is:

1. Write the card's relative address to the MMC argument registers (MMCARGH and MMCARGL). Load the high part of the address to MMCARGH and the low part of the address to MMCARGL.
2. Read card CSD to determine the card's maximum block length.
3. Use the MMC command register (MMCCMD) to send the SET_BLOCKLEN command (if the block length is different than the length used in the previous operation). The block length must be a multiple of 512 bytes and less than the maximum block length specified in the CSD.
4. Reset the FIFO (FIFORST bit in MMCFIFOCTL).
5. Set the FIFO direction to transmit (FIFODIR bit in MMCFIFOCTL).
6. Set the FIFO threshold (FIFOLEV bit in MMCFIFOCTL).
7. Set the access width (ACCWD bits in MMCFIFOCTL).
8. Set up DMA (DMA size needs to be greater than or equal to FIFOLEV setting).
9. Use MMCCMD to send the WRITE_MULTI_BLOCK command to the card (set DMATRIG bit in MMCCMD to trigger first DMA).
10. Wait for DMA sequence to complete or the DATADNE flag in the MMC status register 0 (MMCST0) is set.
11. Use MMCST0 to check for errors.
12. Use MMCCMD to send the STOP_TRANSMISSION command.

3.8 MMC/SD Mode Multiple-Block Read Operation Using CPU

To perform a multiple-block read, the same block length needs to be set in both the MMC/SD controller and the card.

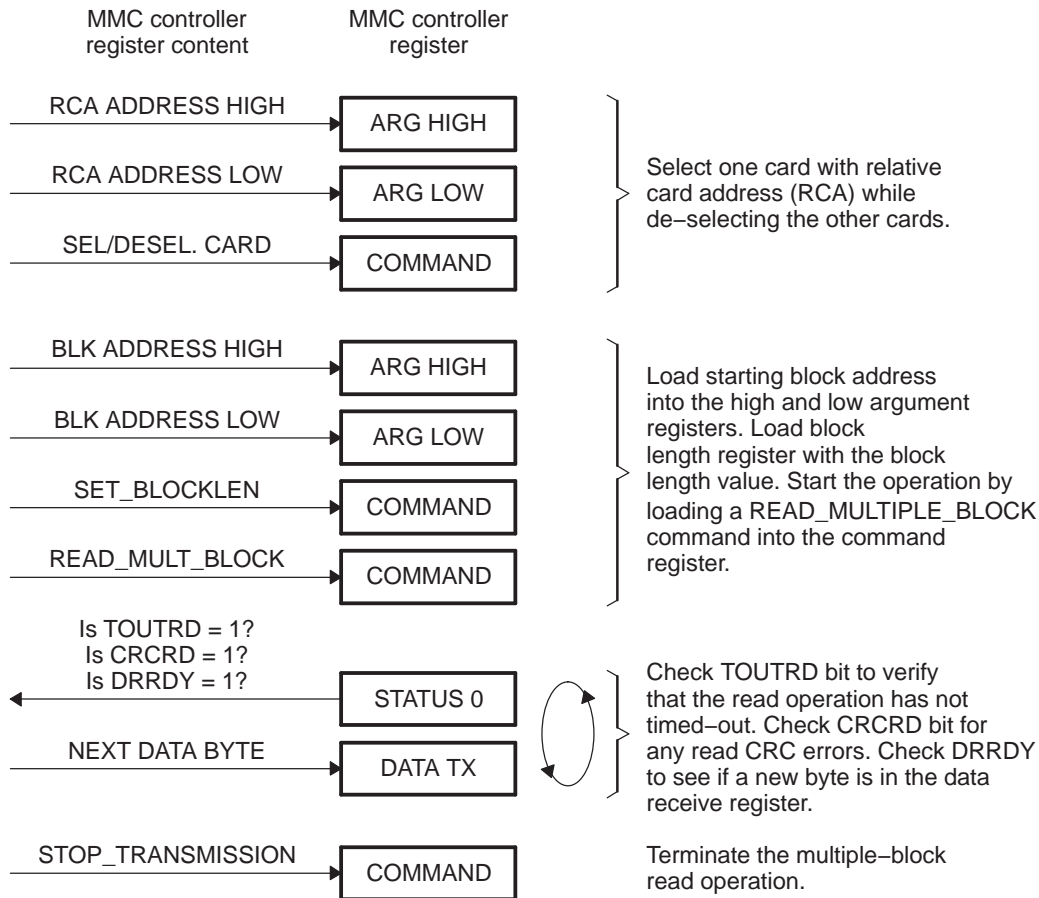
Note: The procedure in this section uses a STOP_TRANSMISSION command to end the block transfer. This assumes that the value in the MMC number of blocks counter register (MMCNBLK) is 0. A multiple-block operation terminates itself if you load MMCNBLK with the exact number of blocks you want transferred.

The procedure for this operation is:

1. Write the card's relative address to the MMC argument registers (MMCARGH and MMCARGL). Load the high part of the address to MMCARGH and the low part of the address to MMCARGL.
2. Read card CSD to determine the card's maximum block length.
3. Use the MMC command register (MMCCMD) to send the SET_BLOCKLEN command (if the block length is different than the length used in the previous operation). The block length must be a multiple of 512 bytes and less than the maximum block length specified in the CSD.
4. Reset the FIFO (FIFORST bit in MMCFIFOCTL).
5. Set the FIFO direction to receive (FIFODIR bit in MMCFIFOCTL).
6. Set FIFO threshold (FIFOLEV bit in MMCFIFOCTL).
7. Set the access width (ACCWD bits in MMCFIFOCTL).
8. Enable the MMC interrupt.
9. Enable DRRDYINT interrupt.
10. Use MMCCMD to send the READ_MULT_BLOCKS command.
11. Wait for MMC interrupt.
12. Use the MMC status register 0 (MMCST0) to check for errors and to determine the status of the FIFO. If FIFO is not empty and more bytes are to be read, go to step 13. If all of the data has been read, go to step 14.
13. Read n bytes (depends on setting of FIFOLEV in MMCFIFOCTL: 0 = 16 bytes, 1 = 32 bytes) of data from the MMC data receive register (MMCDRR) and go to step 10.
14. Use MMCCMD to send the STOP_TRANSMISSION command.

The sequence of events in this operation is shown in [Figure 17](#).

Figure 17. MMC/SD Mode Multiple-Block Read Operation



3.9 MMC/SD Mode Multiple-Block Read Operation Using EDMA

To perform a multiple-block read, the same block length must be set in both the MMC/SD controller and the card.

The procedure for this operation is as follows:

1. Write the card's relative address to the MMC argument registers (MMCARGH and MMCARGL). Load the high part of the address to MMCARGH and the low part of the address to MMCARGL.
2. Read card CSD to determine the card's maximum block length.
3. Use the MMC command register (MMCCMD) to send the SET_BLOCKLEN command (if the block length is different than the length used in the previous operation). The block length must be a multiple of 512 bytes and less than the maximum block length specified in the CSD.
4. Reset the FIFO (FIFORST bit in MMCFIFOCTL).
5. Set the FIFO direction to receive (FIFODIR bit in MMCFIFOCTL).
6. Set the FIFO threshold (FIFOLEV bit in MMCFIFOCTL).
7. Set the access width (ACCWD bits in MMCFIFOCTL).
8. Set up DMA (DMA size needs to be greater than or equal to FIFOLEV setting).
9. Use MMCCMD to send the READ_MULT_BLOCK command to the card.
10. Wait for DMA sequence to complete.
11. Use the MMC status register 0 (MMCST0) to check for errors.
12. Use MMCCMD to send the STOP_TRANSMISSION command.

4 Registers

Table 5 lists the memory-mapped registers for the multimedia card/secure digital (MMC/SD) card controller. See the device-specific data manual for the memory address of these registers.

Table 5. Multimedia Card/Secure Digital (MMC/SD) Card Controller Registers

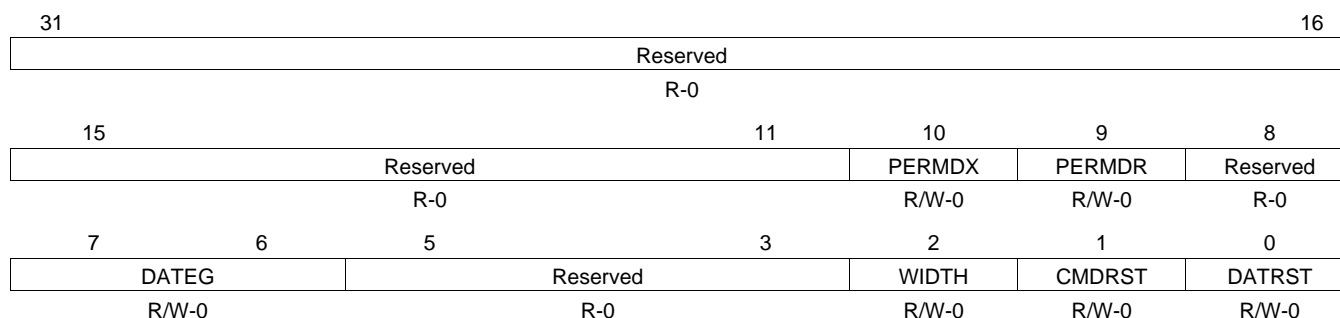
Offset	Acronym	Register Description	Section
00h	MMCCTL	MMC Control Register	Section 4.1
04h	MMCCLK	MMC Memory Clock Control Register	Section 4.2
08h	MMCST0	MMC Status Register 0	Section 4.3
0Ch	MMCST1	MMC Status Register 1	Section 4.4
10h	MMCIM	MMC Interrupt Mask Register	Section 4.5
14h	MMCTOR	MMC Response Time-Out Register	Section 4.6
18h	MMCTOD	MMC Data Read Time-Out Register	Section 4.7
1Ch	MMCBLEN	MMC Block Length Register	Section 4.8
20h	MMCNBLK	MMC Number of Blocks Register	Section 4.9
24h	MMCNBLC	MMC Number of Blocks Counter Register	Section 4.10
28h	MMCDRR	MMC Data Receive Register	Section 4.11
2Ch	MMCDXR	MMC Data Transmit Register	Section 4.12
30h	MMCCMD	MMC Command Register	Section 4.13
34h	MMCARGHL	MMC Argument Register	Section 4.14
38h	MMCRSP01	MMC Response Register 0 and 1	Section 4.15
3Ch	MMCRSP23	MMC Response Register 2 and 3	Section 4.15
40h	MMCRSP45	MMC Response Register 4 and 5	Section 4.15
44h	MMCRSP67	MMC Response Register 6 and 7	Section 4.15
48h	MMCDRSP	MMC Data Response Register	Section 4.16
50h	MMCCIDX	MMC Command Index Register	Section 4.17
74h	MMCFIFOCTL	MMC FIFO Control Register	Section 4.18

4.1 MMC Control Register (MMCCTL)

The MMC control register (MMCCTL) is used to enable or configure various modes of the MMC controller. Set or clear the DATRST and CMDRST bits at the same time to reset or enable the MMC controller.

The MMC control register (MMCCTL) is shown in [Figure 18](#) and described in [Table 6](#).

Figure 18. MMC Control Register (MMCCTL)



LEGEND: R/W = Read/Write; R = Read only; -n = value after reset

Table 6. MMC Control Register (MMCCTL) Field Descriptions

Bit	Field	Value	Description
31-11	Reserved	0	Reserved
10	PERMDX	0 1	Endian select when writing. Little endian is selected. Big endian is selected.
9	PERMDR	0 1	Endian select when reading. Little endian is selected. Big endian is selected.
8	Reserved	0	Reserved
7-6	DATEG	0-3h 0 1h 2h 3h	DAT3 edge detection select. DAT3 edge detection is disabled. DAT3 rising-edge detection is enabled. DAT3 falling-edge detection is enabled. DAT3 rising-edge and falling-edge detections are enabled.
5-3	Reserved	0	Reserved
2	WIDTH	0 1	Data bus width (MMC mode only). Data bus has 1 bit (only DAT0 is used). Data bus has 4 bits (all DAT0-3 are used).
1	CMDRST	0 1	CMD logic reset. CMD line portion is enabled. CMD line portion is disabled and in reset state.
0	DATRST	0 1	DAT logic reset. DAT line portion is enabled. DAT line portion is disabled and in reset state.

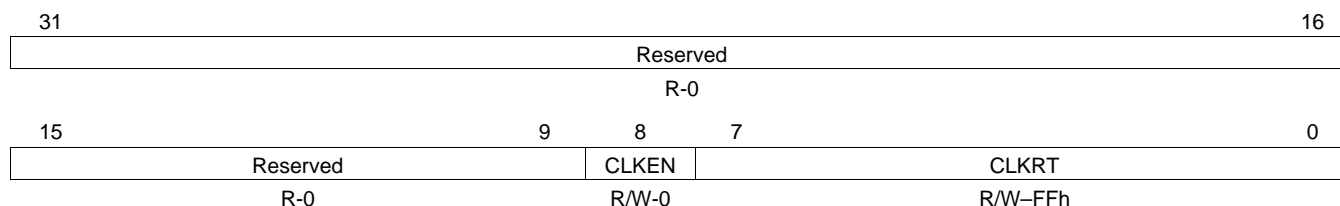
4.2 MMC Memory Clock Control Register (MMCCLK)

The MMC memory clock control register (MMCCLK) is used to:

- Select whether the CLK pin is enabled or disabled (CLKEN bit).
- Select how much the function clock is divided-down to produce the memory clock (CLKRT bits). When the CLK pin is enabled, the MMC controller drives the memory clock on this pin to control the timing of communications with attached memory cards. For more details about clock generation, see [Section 2.1](#).

The MMC memory clock control register (MMCCLK) is shown in [Figure 19](#) and described in [Table 7](#).

Figure 19. MMC Memory Clock Control Register (MMCCLK)



LEGEND: R/W = Read/Write; R = Read only; -n = value after reset

Table 7. MMC Memory Clock Control Register (MMCCLK) Field Descriptions

Bit	Field	Value	Description
31-9	Reserved	0	Reserved
8	CLKEN	0	CLK pin enable.
		1	The CLK pin is disabled and fixed low.
			The CLK pin is enabled; it shows the memory clock signal.
7-0	CLKRT	0-FFh	Clock rate. Use this field to set the divide-down value for the memory clock. The function clock is divided down as follows to produce the memory clock: memory clock frequency = function clock frequency / (2 × (CLKRT + 1))

4.3 MMC Status Register 0 (MMCST0)

The MMC status register 0 (MMCST0) records specific events or errors. The transition from 0 to 1 on each bit in MMCST0 can cause an interrupt signal to be sent to the CPU. If an interrupt is desired, set the corresponding interrupt enable bit in the MMC interrupt mask register (MMCIM).

In most cases, when a status bit is read, it is cleared. The two exceptions are the DRRDY bit and the DXRDY bit; these bits are cleared only in response to the functional events described for them in Table 8, or in response to a hardware reset.

The MMC status register 0 (MMCST0) is shown in Figure 20 and described in Table 8.

Figure 20. MMC Status Register 0 (MMCST0)

Reserved							
R-0							
15	13		12	11	10	9	8
Reserved		TRNDNE		DATED	DRRDY	DXRDY	Reserved
R-0		R-0		RC-0	R-0	R-1	R-0
7	6	5	4	3	2	1	0
CRCRS	CRCRD	CRCWR	TOUTRS	TOUTRD	RSPDNE	BSYDNE	DATDNE
R-0	R-0	R-0	R-0	R-0	R-0	R-0	R-0

LEGEND: R = Read only; RC = Cleared to 0 when read; -n = value after reset

Table 8. MMC Status Register 0 (MMCST0) Field Descriptions

Bit	Field	Value	Description
31-13	Reserved	0	Reserved
12	TRNDNE	0	Transfer done.
		0	No data transfer is done.
		1	Data transfer of specified length is done.
11	DATED	0	DAT3 edge detected. DATED is cleared when read by CPU.
		0	A DAT3 edge has not been detected.
		1	A DAT3 edge has been detected.
10	DRRDY	0	Data receive ready. DRRDY is cleared to 0 when the DAT logic is reset (DATRST = 1 in MMCCTL), when a command is sent with data receive/transmit clear (DCLR = 1 in MMCCMD), or when data is read from the MMC data receive register (MMCDRR).
		0	MMCDRR is not ready.
		1	MMCDRR is ready. New data has arrived and can be read by the CPU or by the DMA controller.
9	DXRDY	0	Data transmit ready. DXRDY is set to 1 when the DAT logic is reset (DATRST = 1 in MMCCTL), when a command is sent with data receive/transmit clear (DCLR = 1 in MMCCMD), or when data is written to the MMC data transmit register (MMCDXR).
		0	MMCDXR is not ready.
		1	MMCDXR is ready. The data in MMCDXR has been transmitted; MMCDXR can accept new data from the CPU or from the DMA controller.
8	Reserved	0	Reserved
7	CRCRS	0	Response CRC error.
		0	A response CRC error has not been detected.
		1	A response CRC error has been detected.
6	CRCRD	0	Read-data CRC error.
		0	A read-data CRC error has not been detected.
		1	A read-data CRC error has been detected.

Table 8. MMC Status Register 0 (MMCST0) Field Descriptions (continued)

Bit	Field	Value	Description
5	CRCWR	0	Write-data CRC error. A write-data CRC error has not been detected.
		1	A write-data CRC error has been detected.
4	TOUTRS	0	Response time-out event. A response time-out event has not occurred.
		1	A time-out event has occurred while the MMC controller was waiting for a response to a command.
3	TOUTRD	0	Read-data time-out event. A read-data time-out event has not occurred.
		1	A time-out event has occurred while the MMC controller was waiting for data.
2	RSPDNE	0	Command/response done. No receiving response is done.
		1	Response successfully has received or command has sent without response.
1	BSYDNE	0	Busy done. No busy releasing is done.
		1	Released from busy state or expected busy is not detected.
0	DATDNE	0	Data done The data has not been fully transmitted.
		1	The data has been fully transmitted.

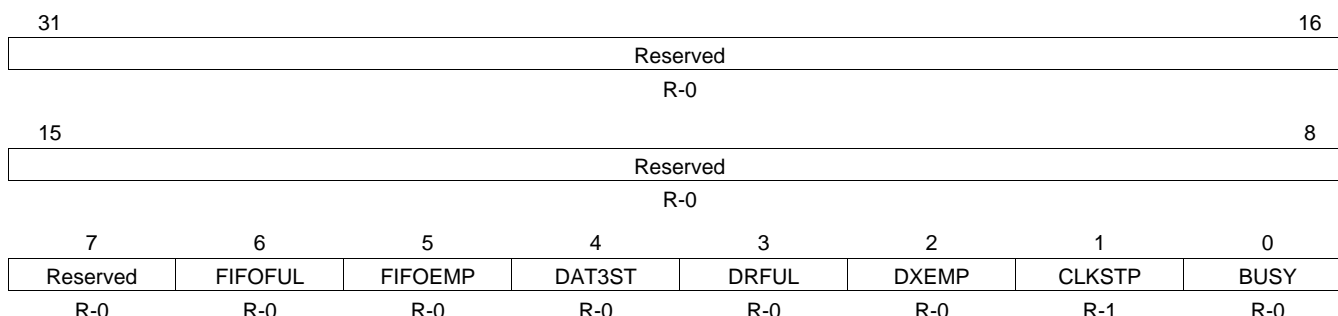
-
- Note:** 1) As the command portion and the data portion of the MMC/SD controller are independent, any command such as CMD0 (GO_IDLE_STATE) or CMD12 (STOP_TRANSMISSION) can be sent to the card, even during block transfer. In this situation, the data portion detects this and waits, releasing the busy state only when the command sent was R1b (to be specific, command with BSYEXP bit), otherwise it continues transferring data.
- 2) Bit 12 (TRNDNE) indicates that the last byte of a transfer has been completed. Bit 0 (DATDNE) occurs at end of a transfer, but not until the CRC check and programming has completed.
-

4.4 MMC Status Register 1 (MMCST1)

The MMC status register 1 (MMCST1) records specific events or errors. There are no interrupts associated with these events or errors.

The MMC status register 1 (MMCST1) is shown in [Figure 21](#) and described in [Table 9](#).

Figure 21. MMC Status Register 1 (MMCST1)



LEGEND: R = Read only; -n = value after reset

Table 9. MMC Status Register 1 (MMCST1) Field Descriptions

Bit	Field	Value	Description
31-7	Reserved	0	Reserved
6	FIFOFUL	0 1	FIFO is full. FIFO is not full. FIFO is full.
5	FIFOEMP	0 1	FIFO is empty. FIFO is not empty. FIFO is empty.
4	DAT3ST	0 1	DAT3 status. The signal level on the DAT3 pin is a logic-low level. The signal level on the DAT3 pin is a logic-high level.
3	DRFUL	0 1	Data receive register (MMCDRR) is full. A data receive register full condition is not detected. The data receive shift register is not full. A data receive register full condition is detected. The data receive shift register is full. No new bits can be shifted in from the memory card.
2	DXEMP	0 1	Data transmit register (MMCDXR) is empty. A data transmit register empty condition is not detected. The data transmit shift register is not empty. A data transmit register empty condition is detected. The data transmit shift register is empty. No bits are available to be shifted out to the memory card.
1	CLKSTP	0 1	Clock stop status. CLK is active. The memory clock signal is being driven on the pin. CLK is held low because of a manual stop (CLKEN = 0 in MMCCCLK), receive shift register is full, or transmit shift register is empty.
0	BUSY	0 1	Busy. No busy signal is detected. A busy signal is detected (the memory card is busy).

4.5 MMC Interrupt Mask Register (MMCIM)

The MMC interrupt mask register (MMCIM) is used to enable (bit = 1) or disable (bit = 0) status interrupts. If an interrupt is enabled, the transition from 0 to 1 of the corresponding interrupt bit in the MMC status register 0 (MMCST0) can cause an interrupt signal to be sent to the CPU.

The MMC interrupt mask register (MMCIM) is shown in [Figure 22](#) and described in [Table 10](#).

Figure 22. MMC Interrupt Mask Register (MMCIM)

31								16									
Reserved																	
R-0																	
15				13				12		11		10		9		8	
Reserved				ETRNDNE				EDATED		EDRRDY		EDXRDY		Reserved			
R-0				R/W-0				R/W-0		R/W-0		R/W-0		R-0			
7		6		5		4		3		2		1		0			
ECRCRS		ECRCRD		ECRCWR		ETOUTRS		ETOUTRD		ERSPDNE		EBSYDNE		EDATDNE			
R/W-0		R/W-0		R/W-0		R/W-0		R/W-0		R/W-0		R/W-0		R/W-0			

LEGEND: R/W = Read/Write; R = Read only; -n = value after reset

Table 10. MMC Interrupt Mask Register (MMCIM) Field Descriptions

Bit	Field	Value	Description
31-13	Reserved	0	Reserved
12	ETRNDNE	0	Transfer done (TRNDNE) interrupt enable. Transfer done interrupt is disabled.
		1	Transfer done interrupt is enabled.
11	EDATED	0	DAT3 edge detect (DATED) interrupt enable. DAT3 edge detect interrupt is disabled.
		1	DAT3 edge detect interrupt is enabled.
10	EDRRDY	0	Data receive register ready (DRRDY) interrupt enable. Data receive register ready interrupt is disabled.
		1	Data receive register ready interrupt is enabled.
9	EDXRDY	0	Data transmit register (MMCDXR) ready interrupt enable. Data transmit register ready interrupt is disabled.
		1	Data transmit register ready interrupt is enabled.
8	Reserved	0	Reserved
7	ECRCRS	0	Response CRC error (CRCRS) interrupt enable. Response CRC error interrupt is disabled.
		1	Response CRC error interrupt is enabled.
6	ECRCRD	0	Read-data CRC error (CRCRD) interrupt enable. Read-data CRC error interrupt is disabled.
		1	Read-data CRC error interrupt is enabled.
5	ECRCWR	0	Write-data CRC error (CRCWR) interrupt enable. Write-data CRC error interrupt is disabled.
		1	Write-data CRC error interrupt is disabled.
4	ETOUTRS	0	Response time-out event (TOUTRS) interrupt enable. Response time-out event interrupt is disabled.
		1	Response time-out event interrupt is enabled.

Table 10. MMC Interrupt Mask Register (MMCIM) Field Descriptions (continued)

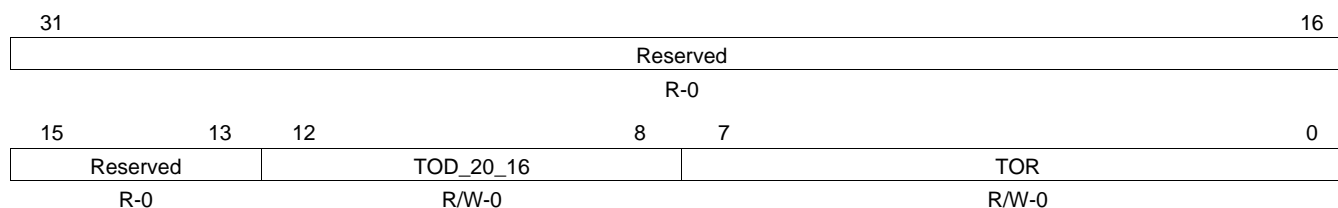
Bit	Field	Value	Description
3	ETOUTRD	0	Read-data time-out event (TOUTRD) interrupt enable. Read-data time-out event interrupt is disabled.
		1	Read-data time-out event interrupt is enabled.
2	ERSPDNE	0	Command/response done (RSPDNE) interrupt enable. Command/response done interrupt is disabled.
		1	Command/response done interrupt is enabled.
1	EBSYDNE	0	Busy done (BSYDNE) interrupt enable. Busy done interrupt is disabled.
		1	Busy done interrupt is enabled.
0	EDATDNE	0	Data done (DATDNE) interrupt enable. Data done interrupt is disabled.
		1	Data done interrupt is enabled.

4.6 MMC Response Time-Out Register (MMCTOR)

The MMC response time-out register (MMCTOR) defines how long the MMC controller waits for a response from a memory card before recording a time-out condition in the TOUTRS bit of the MMC status register 0 (MMCST0). If the corresponding ETOUTRS bit in the MMC interrupt mask register (MMCIM) is set, an interrupt is generated when the TOUTRS bit is set in MMCST0. If a memory card should require a longer time-out period than MMCTOR can provide, a software time-out mechanism can be implemented.

The MMC response time-out register (MMCTOR) is shown in [Figure 23](#) and described in [Table 11](#).

Figure 23. MMC Response Time-Out Register (MMCTOR)



LEGEND: R/W = Read/Write; R = Read only; -n = value after reset

Table 11. MMC Response Time-Out Register (MMCTOR) Field Descriptions

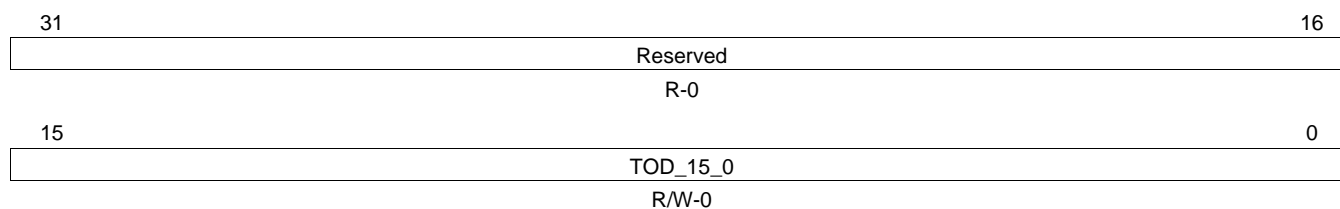
Bit	Field	Value	Description
31-13	Reserved	0	Reserved
12-8	TOD_20_16	0-1Fh	Data read time-out count upper 5 bits. Used in conjunction with the TOD_15_0 bits in MMCTOD to form a 21-bit count. See MMCTOD (Section 4.7).
7-0	TOR	0-FFh	Time-out count for response.
		0	No time out
		1-FFh	1 CLK clock cycle to 255 CLK clock cycles

4.7 MMC Data Read Time-Out Register (MMCTOD)

The MMC data read time-out register (MMCTOD) defines how long the MMC controller waits for the data from a memory card before recording a time-out condition in the TOUTRD bit of the MMC status register 0 (MMCST0). If the corresponding ETOUTRD bit in the MMC interrupt mask register (MMCIM) is set, an interrupt is generated when the TOUTRD bit is set in MMCST0. If a memory card should require a longer time-out period than MMCTOD can provide, a software time-out mechanism can be implemented.

The MMC data read time-out register (MMCTOD) is shown in [Figure 24](#) and described in [Table 12](#).

Figure 24. MMC Data Read Time-Out Register (MMCTOD)



LEGEND: R/W = Read/Write; R = Read only; -n = value after reset

Table 12. MMC Data Read Time-Out Register (MMCTOD) Field Descriptions

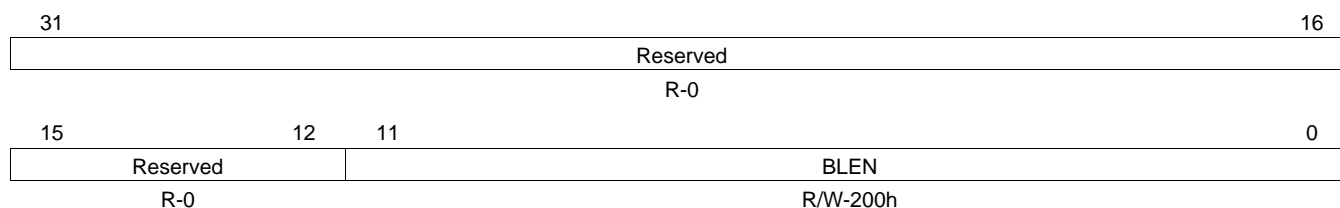
Bit	Field	Value	Description
31-16	Reserved	0	Reserved
15-0	TOD_15_0	0-1F FFFFh	Data read time-out count. Used in conjunction with the TOD_20_16 bits in MMCTOR to form a 21-bit count. See MMCTOR (Section 4.6).
		0	No time out
		1-FFFFh	1 CLK clock cycle to 2 097 151 CLK clock cycles

4.8 MMC Block Length Register (MMCBLEN)

The MMC block length register (MMCBLEN) specifies the data block length in bytes. This value must match the block length setting in the memory card.

The MMC block length register (MMCBLEN) is shown in [Figure 25](#) and described in [Table 13](#).

Figure 25. MMC Block Length Register (MMCBLEN)



LEGEND: R/W = Read/Write; R = Read only; -n = value after reset

Table 13. MMC Block Length Register (MMCBLEN) Field Descriptions

Bit	Field	Value	Description
31-12	Reserved	0	Reserved
11-0	BLEN	1h-FFFh	Block length. This field is used to set the block length, which is the byte count of a data block. The value 0 is prohibited.

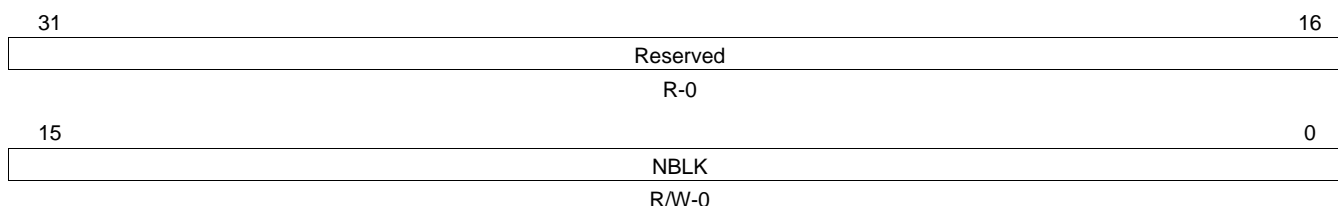
Note: The BLEN bits value must be the same as the CSD register settings in the MMC/SD card. To be precise, it should match the value of the READ_BL_LEN field for read, or WRITE_BL_LEN field for write.

4.9 MMC Number of Blocks Register (MMCNBLK)

The MMC number of blocks register (MMCNBLK) specifies the number of blocks for a multiple-block transfer.

The MMC number of blocks register (MMCNBLK) is shown in [Figure 26](#) and described in [Table 14](#).

Figure 26. MMC Number of Blocks Register (MMCNBLK)



LEGEND: R/W = Read/Write; R = Read only; -n = value after reset

Table 14. MMC Number of Blocks Register (MMCNBLK) Field Descriptions

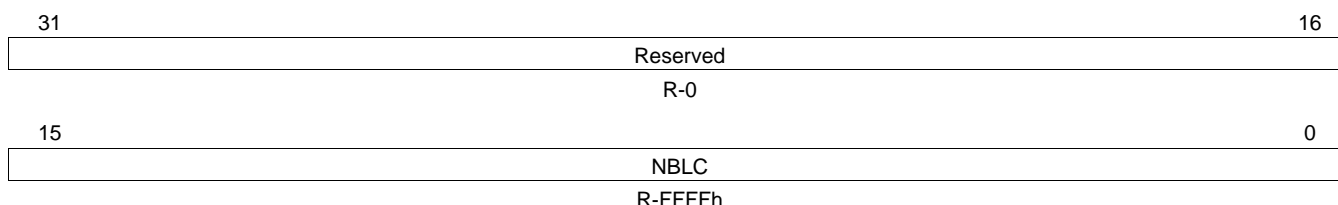
Bit	Field	Value	Description
31-16	Reserved	0	Reserved
15-0	NBLK	0-FFFFh 0 1h-FFFFh	Number of blocks. This field is used to set the total number of blocks to be transferred. Infinite number of blocks. The MMC controller reads/writes blocks of data until a STOP_TRANSMISSION command is written to the MMC command register (MMCCMD). <i>n</i> blocks. The MMC controller reads/writes only <i>n</i> blocks of data, even if the STOP_TRANSMISSION command has not been written to the MMC command register (MMCCMD).

4.10 MMC Number of Blocks Counter Register (MMCNBLC)

The MMC number of blocks counter register (MMCNBLC) is a down-counter for tracking the number of blocks remaining to be transferred during a multiple-block transfer.

The MMC number of blocks counter register (MMCNBLC) is shown in [Figure 27](#) and described in [Table 15](#).

Figure 27. MMC Number of Blocks Counter Register (MMCNBLC)



LEGEND: R/W = Read/Write; R = Read only; -n = value after reset

Table 15. MMC Number of Blocks Counter Register (MMCNBLC) Field Descriptions

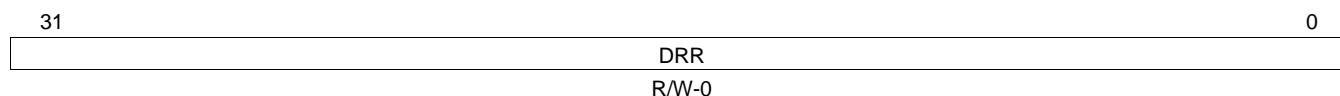
Bit	Field	Value	Description
31-16	Reserved	0	Reserved
15-0	NBLC	0-FFFFh	Read this field to determine the number of blocks remaining to be transferred.

4.11 MMC Data Receive Register (MMCDRR)

The MMC data receive register (MMCDRR) is used for storing the received data from the MMC controller. The CPU or the DMA controller can read data from this register. MMCDRR expects the data in little-endian format.

The MMC data receive register (MMCDRR) is shown in [Figure 28](#) and described in [Table 16](#).

Figure 28. MMC Data Receive Register (MMCDRR)



LEGEND: R/W = Read/Write; -n = value after reset

Table 16. MMC Data Receive Register (MMCDRR) Field Descriptions

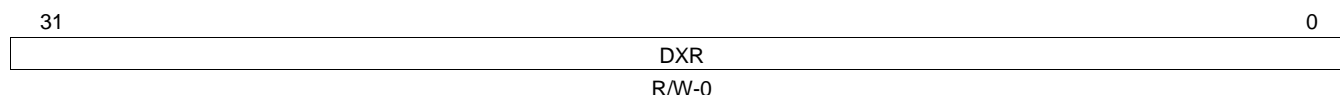
Bit	Field	Value	Description
31-0	DRR	0-FFFF FFFFh	Data receive.

4.12 MMC Data Transmit Register (MMCDXR)

The MMC data transmit register (MMCDXR) is used for storing the data to be transmitted from the MMC controller to the memory card. The CPU or the DMA controller can write data to this register to be transmitted. MMCDXR expects the data in little-endian format.

The MMC data transmit register (MMCDXR) is shown in [Figure 29](#) and described in [Table 17](#).

Figure 29. MMC Data Transmit Register (MMCDXR)



LEGEND: R/W = Read/Write; -n = value after reset

Table 17. MMC Data Transmit Register (MMCDXR) Field Descriptions

Bit	Field	Value	Description
31-0	DXR	0-FFFF FFFFh	Data transmit.

4.13 MMC Command Register (MMCCMD)

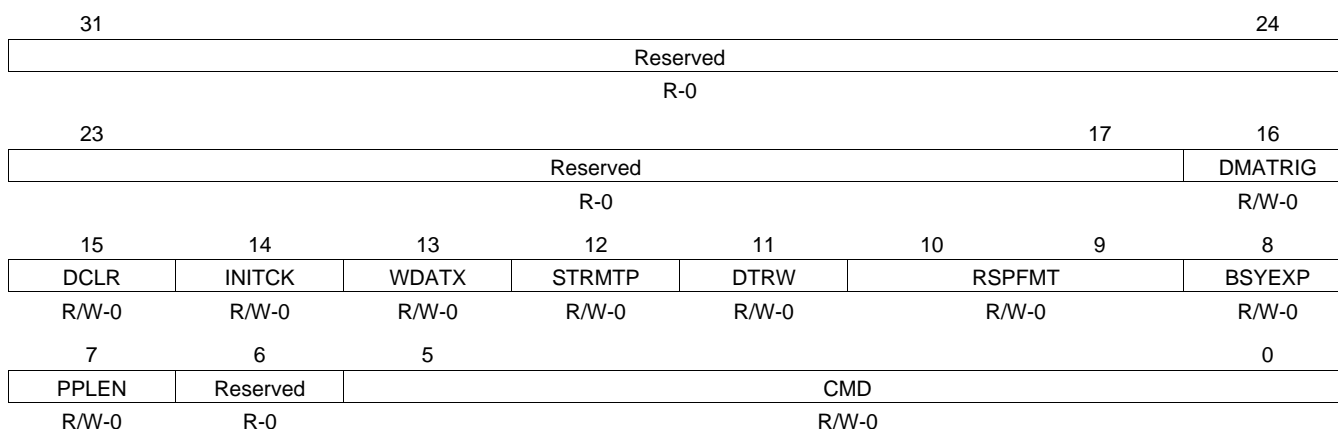
Note: Writing to the MMC command register (MMCCMD) causes the MMC controller to send the programmed command. Therefore, the MMC argument register (MMCARGHL) must be loaded properly before a write to MMCCMD.

The MMC command register (MMCCMD) specifies the type of command to be sent and defines the operation (command, response, additional activity) for the MMC controller. The content of MMCCMD is kept after the transfer to the transmit shift register.

When the ARM writes to MMCCMD, the MMC controller sends the programmed command, including any arguments in the MMC argument register (MMCARGHL). For the format of a command (index, arguments, and other bits), see [Figure 31](#) and [Table 19](#).

The MMC command register (MMCCMD) is shown in [Figure 30](#) and described in [Table 18](#).

Figure 30. MMC Command Register (MMCCMD)



LEGEND: R/W = Read/Write; R = Read only; -n = value after reset

Table 18. MMC Command Register (MMCCMD) Field Descriptions

Bit	Field	Value	Description
31-17	Reserved	0	Reserved
16	DMATRIG	0	DMA transfer event generation enable.
		0	DMA transfer event generation is disabled.
		1	DMA transfer event generation is enabled.
15	DCLR	0	Data receive/transmit clear. Use this bit to clear the data receive ready (DRRDY) bit and the data transmit ready (DXRDY) bit in the MMC status register 0 (MMCST0) before a new read or write sequence. This clears any previous status.
		0	Do not clear DRRDY and DXRDY bits in MMCST0.
		1	Clear DRRDY and DXRDY bits in MMCST0.
14	INITCK	0	Initialization clock cycles.
		0	Do not insert initialization clock cycles.
		1	Insert initialization clock cycles; insert 80 CLK cycles before sending the command specified in the CMD bits. These dummy clock cycles are required for resetting a card after power on.
13	WDATX	0	Data transfer indicator.
		0	There is no data transfer.
		1	There is a data transfer associated with the command.

Table 18. MMC Command Register (MMCCMD) Field Descriptions (continued)

Bit	Field	Value	Description
12	STRMTP	0	Stream enable. If WDATX = 1, the data transfer is a block transfer. The data transfer stops after the movement of the programmed number of bytes (defined by the programmed block size and the programmed number of blocks).
		1	If WDATX = 1, the data transfer is a stream transfer. Once the data transfer is started, the data transfer does not stop until the MMC controller issues a stop command to the memory card.
11	DTRW	0	Write enable. If WDATX = 1, the data transfer is a read operation.
		1	If WDATX = 1, the data transfer is a write operation.
10-9	RSPFMT	0-3h	Response format (expected type of response to the command).
		0	No response.
		1h	R1, R4, R5, or R6 response. 48 bits with CRC.
		2h	R2 response. 136 bits with CRC.
8	BSYEXP	0	Busy expected. If an R1b (R1 with busy) response is expected, set RSPFMT = 1h and BSYEXP = 1. A busy signal is not expected.
		1	A busy signal is expected.
7	PPLEN	0	Push pull enable. Push pull driver of CMD line is disabled (open drain).
		1	Push pull driver of CMD line is enabled.
6	Reserved	0	Reserved.
5-0	CMD	0-3Fh	Command index. This field contains the command index for the command to be sent to the memory card.

Figure 31. Command Format

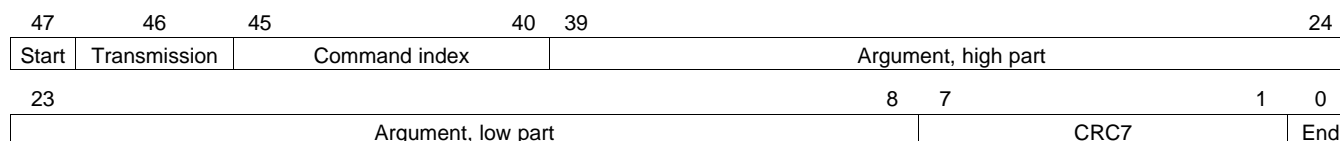


Table 19. Command Format

Bit Position of Command	Register	Description
47	-	Start bit
46	-	Transmission bit
45-40	MMCCMD(5-0)	Command index (CMD)
39-24	MMCARGHL	Argument, high part (ARGH)
23-8	MMCARGHL	Argument, low part (ARGL)
7-1	-	CRC7
0	-	End bit

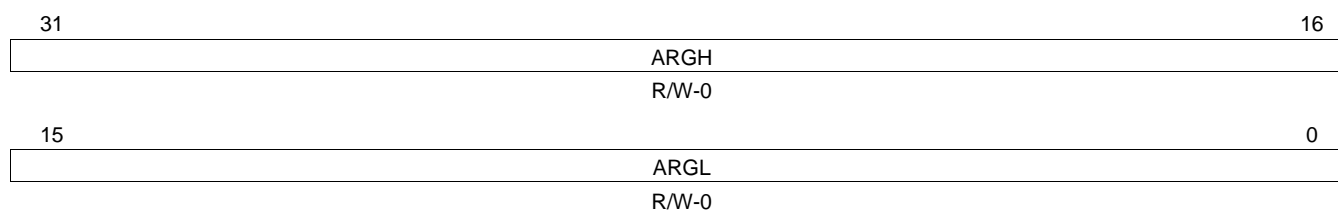
4.14 MMC Argument Register (MMCARGHL)

Note: Do not modify the MMC argument register (MMCARGHL) while it is being used for an operation.

The MMC argument register (MMCARGHL) specifies the arguments to be sent with the command specified in the MMC command register (MMCCMD). Writing to MMCCMD causes the MMC controller to send a command; therefore, MMCARGHL must be configured before writing to MMCCMD. The content of MMCARGHL is kept after the transfer to the shift register; however, modification to MMCARGHL is not allowed during a sending operation. For the format of a command, see [Figure 31](#) and [Table 19](#).

The MMC argument register (MMCARGHL) is shown in [Figure 32](#) and described in [Table 20](#).

Figure 32. MMC Argument Register (MMCARGHL)



LEGEND: R/W = Read/Write; -n = value after reset

Table 20. MMC Argument Register (MMCARGHL) Field Descriptions

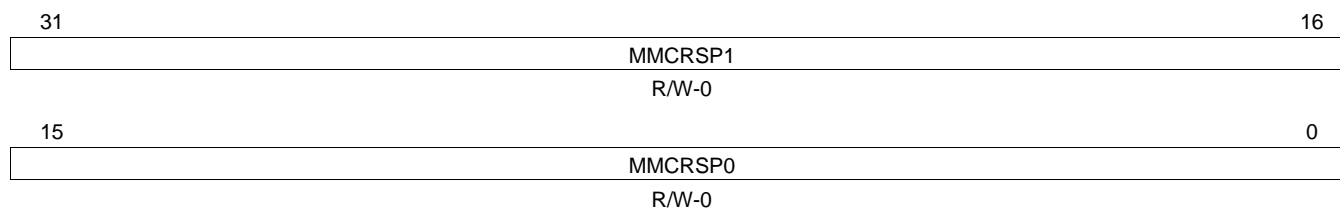
Bit	Field	Value	Description
31-16	ARGH	0-FFFFh	Argument, high part.
15-0	ARGL	0-FFFFh	Argument, low part.

4.15 MMC Response Registers (MMCRSP0-MMCRSP7)

Each command has a preset response type. When the MMC controller receives a response, it is stored in some or all of the eight MMC response registers (MMCRSP7-MMCRSP0). The response registers are updated as the responses arrive, even if the CPU has not read the previous contents.

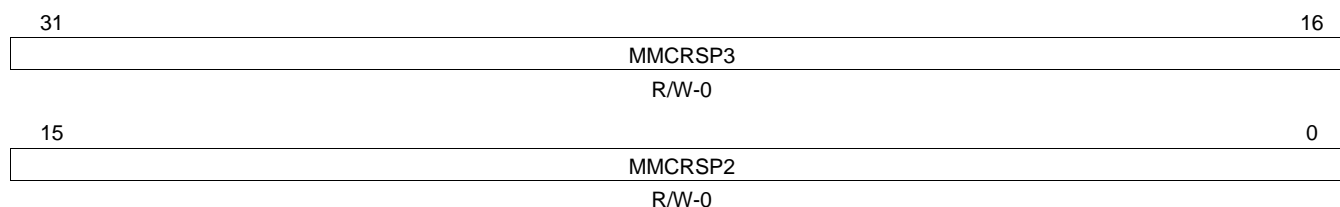
As shown in [Figure 33](#), [Figure 34](#), [Figure 35](#), and [Figure 36](#) each of the MMC response registers holds up to 16 bits. [Table 21](#) and [Table 22](#) show the format for each type of response and which MMC response registers are used for the bits of the response. The first byte of the response is a command index byte and is stored in the MMC command index register (MMCCIDX).

Figure 33. MMC Response Register 0 and 1 (MMCRSP01)



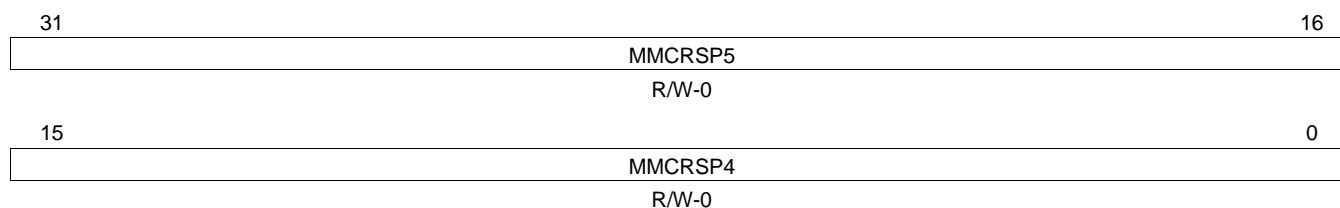
LEGEND: R/W = Read/Write; -n = value after reset

Figure 34. MMC Response Register 2 and 3 (MMCRSP23)



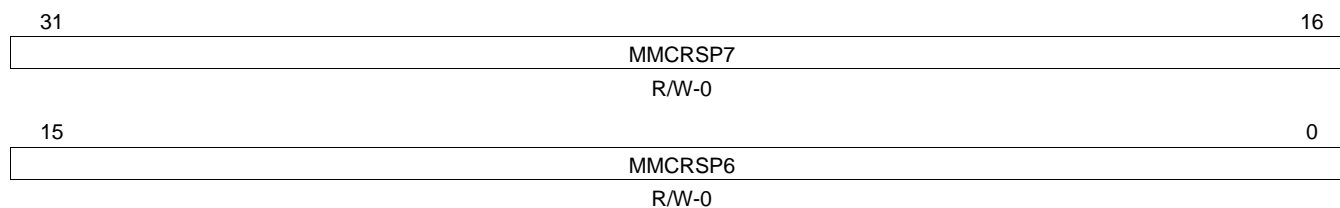
LEGEND: R/W = Read/Write; -n = value after reset

Figure 35. MMC Response Register 4 and 5 (MMCRSP45)



LEGEND: R/W = Read/Write; -n = value after reset

Figure 36. MMC Response Register 6 and 7 (MMCRSP67)



LEGEND: R/W = Read/Write; -n = value after reset

Table 21. R1, R3, R4, R5, or R6 Response (48 Bits)

Bit Position of Response	Register
47-40	MMCCIDX
39-24	MMCRSP7
23-8	MMCRSP6
7-0	MMCRSP5 ⁽¹⁾
-	MMCRSP4-0

⁽¹⁾ Bits 7-0 of the response are stored to bits 7-0 of MMCRSP5.

Table 22. R2 Response (136 Bits)

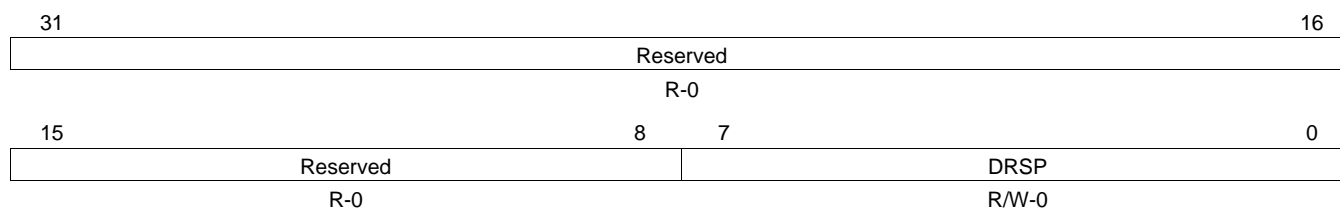
Bit Position of Response	Register
135-128	MMCCIDX
127-112	MMCRSP7
111-96	MMCRSP6
95-80	MMCRSP5
79-64	MMCRSP4
63-48	MMCRSP3
47-32	MMCRSP2
31-16	MMCRSP1
15-0	MMCRSP0

4.16 MMC Data Response Register (MMCDRSP)

After the MMC controller sends a data block to a memory card, the return byte from the memory card is stored in the MMC data response register (MMCDRSP).

The MMC data response register (MMCDRSP) is shown in [Figure 37](#) and described in [Table 23](#).

Figure 37. MMC Data Response Register (MMCDRSP)



LEGEND: R/W = Read/Write; R = Read only; -n = value after reset

Table 23. MMC Data Response Register (MMCDRSP) Field Descriptions

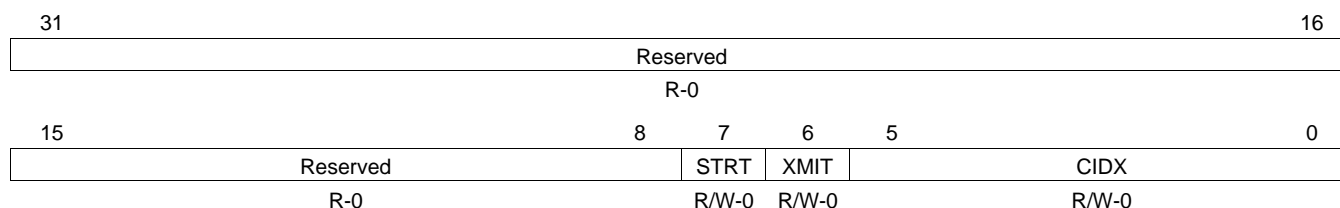
Bit	Field	Value	Description
31-8	Reserved	0	Reserved
7-0	DRSP	0-FFh	During a write operation (see Section 2.3.1), the CRC status token is stored in DRSP.

4.17 MMC Command Index Register (MMCCIDX)

The MMC command index register (MMCCIDX) stores the first byte of a response from a memory card. [Table 21](#) and [Table 22](#) show the format for each type of response.

The MMC command index register (MMCCIDX) is shown in [Figure 38](#) and described in [Table 24](#).

Figure 38. MMC Command Index Register (MMCCIDX)



LEGEND: R/W = Read/Write; R = Read only; -n = value after reset

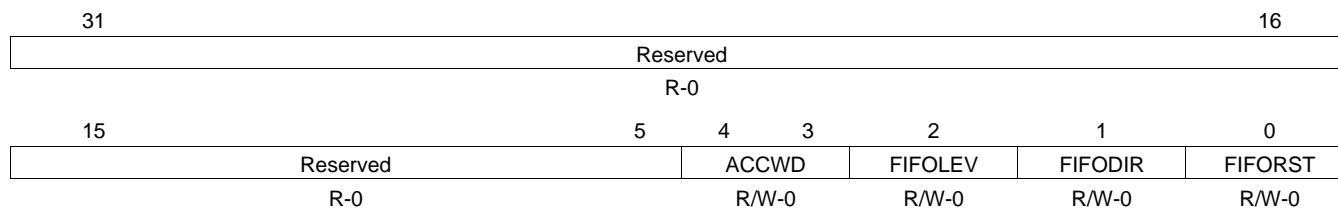
Table 24. MMC Command Index Register (MMCCIDX) Field Descriptions

Bit	Field	Value	Description
31-8	Reserved	0	Reserved
7	STRT	0-1	Start bit. When the MMC controller receives a response, the start bit is stored in STRT.
6	XMIT	0-1	Transmission bit. When the MMC controller receives a response, the transmission bit is stored in XMIT.
5-0	CIDX	0-3Fh	Command index. When the MMC controller receives a response, the command index is stored in CIDX.

4.18 MMC FIFO Control Register (MMCFIFOCTL)

The MMC FIFO control register (MMCFIFOCTL) is shown in [Figure 39](#) and described in [Table 25](#).

Figure 39. MMC FIFO Control Register (MMCFIFOCTL)



LEGEND: R/W = Read/Write; R = Read only; -n = value after reset

Table 25. MMC FIFO Control Register (MMCFIFOCTL) Field Descriptions

Bit	Field	Value	Description
31-5	Reserved	0	Reserved
4-3	ACCWD	0-3h	Access width. Used by FIFO control to determine full/empty flag.
		0	CPU/EDMA access width of 4 bytes
		1h	CPU/EDMA access width of 3 bytes
		2h	CPU/EDMA access width of 2 bytes
		3h	CPU/EDMA access width of 1 byte
2	FIFOLEV	0	FIFO level. Sets the threshold level that determines when the EDMA request and the FIFO threshold interrupt are triggered.
		1	EDMA request every 128 bits sent/received.
		1	EDMA request every 256 bits sent/received.
1	FIFODIR	0	FIFO direction. Determines if the FIFO is being written to or read from.
		0	Read from FIFO.
		1	Write to FIFO.
0	FIFORST	0	FIFO reset. Resets the internal state of the FIFO.
		0	FIFO reset is disabled.
		1	FIFO reset is enabled.

Appendix A Revision History

Table A-1 lists the changes made since the previous version of this document.

Table A-1. Document Revision History

Reference	Additions/Modifications/Deletions
Section 1.2	Changed third bullet. Added seventh bullet.
Section 1.3	Added second sentence.
Section 1.5	Deleted third bullet.
Section 2	Changed second sentence in second paragraph.
Figure 3	Changed Figure 3.
Section 2.1	Changed first sentence in second paragraph.
Figure 4	Changed Figure 4.
Table 1	Changed table headings.
Section 2.3.1	Changed Section 2.3.1.
Section 2.3.2	Changed Section 2.3.2.
Section 2.4	Added fourth sentence. Changed first bullet.
Figure 7	Changed Figure 7.
Section 2.5	Changed first sentence. Changed last sentence.
Section 2.6.1	Changed third sentence in second paragraph.
Section 2.6.2	Added second paragraph.
Section 2.7.1	Changed first sentence. Added last sentence. Changed second sentence in second paragraph.
Section 2.7.2	Added second paragraph. Added Note.
Section 2.9.1	Changed section title. Added Note after fourth bullet.
Section 2.9.2	Changed first sentence. Deleted second paragraph.
Section 2.9.7	Deleted subsection 2.9.7.1: Detecting Edges on the DAT3 Pin Deleted subsection 2.9.7.2: Detecting Level Changes on the DAT3 Pin
Section 2.10.1	Changed second paragraph. Added Note.
Section 3.1	Changed Section 3.1. Added Section 3.1.1. Added Section 3.1.2.
Section 3.9	Deleted section 3.10: SDIO Card Function
Table 5	Changed Table 5.
Section 4	Deleted section 4.18: SDIO Control Register (SDIOCTL) Deleted section 4.19: SDIO Status Register 0 (SDIOST0) Deleted section 4.20: SDIO Interrupt Enable Register (SDIOIEN) Deleted section 4.21: SDIO Interrupt Status Register (SDIOIST)

IMPORTANT NOTICE

Texas Instruments Incorporated and its subsidiaries (TI) reserve the right to make corrections, modifications, enhancements, improvements, and other changes to its products and services at any time and to discontinue any product or service without notice. Customers should obtain the latest relevant information before placing orders and should verify that such information is current and complete. All products are sold subject to TI's terms and conditions of sale supplied at the time of order acknowledgment.

TI warrants performance of its hardware products to the specifications applicable at the time of sale in accordance with TI's standard warranty. Testing and other quality control techniques are used to the extent TI deems necessary to support this warranty. Except where mandated by government requirements, testing of all parameters of each product is not necessarily performed.

TI assumes no liability for applications assistance or customer product design. Customers are responsible for their products and applications using TI components. To minimize the risks associated with customer products and applications, customers should provide adequate design and operating safeguards.

TI does not warrant or represent that any license, either express or implied, is granted under any TI patent right, copyright, mask work right, or other TI intellectual property right relating to any combination, machine, or process in which TI products or services are used. Information published by TI regarding third-party products or services does not constitute a license from TI to use such products or services or a warranty or endorsement thereof. Use of such information may require a license from a third party under the patents or other intellectual property of the third party, or a license from TI under the patents or other intellectual property of TI.

Reproduction of information in TI data books or data sheets is permissible only if reproduction is without alteration and is accompanied by all associated warranties, conditions, limitations, and notices. Reproduction of this information with alteration is an unfair and deceptive business practice. TI is not responsible or liable for such altered documentation.

Resale of TI products or services with statements different from or beyond the parameters stated by TI for that product or service voids all express and any implied warranties for the associated TI product or service and is an unfair and deceptive business practice. TI is not responsible or liable for any such statements.

Following are URLs where you can obtain information on other Texas Instruments products and application solutions:

Products		Applications	
Amplifiers	amplifier.ti.com	Audio	www.ti.com/audio
Data Converters	dataconverter.ti.com	Automotive	www.ti.com/automotive
DSP	dsp.ti.com	Broadband	www.ti.com/broadband
Interface	interface.ti.com	Digital Control	www.ti.com/digitalcontrol
Logic	logic.ti.com	Military	www.ti.com/military
Power Mgmt	power.ti.com	Optical Networking	www.ti.com/opticalnetwork
Microcontrollers	microcontroller.ti.com	Security	www.ti.com/security
Low Power Wireless	www.ti.com/lpw	Telephony	www.ti.com/telephony
		Video & Imaging	www.ti.com/video
		Wireless	www.ti.com/wireless

Mailing Address: Texas Instruments
Post Office Box 655303 Dallas, Texas 75265

Copyright © 2006, Texas Instruments Incorporated

Free Manuals Download Website

<http://myh66.com>

<http://usermanuals.us>

<http://www.somanuals.com>

<http://www.4manuals.cc>

<http://www.manual-lib.com>

<http://www.404manual.com>

<http://www.luxmanual.com>

<http://aubethermostatmanual.com>

Golf course search by state

<http://golfingnear.com>

Email search by domain

<http://emailbydomain.com>

Auto manuals search

<http://auto.somanuals.com>

TV manuals search

<http://tv.somanuals.com>