

# **TPA311**

## **Audio Power Amplifier**

### **Evaluation Module**

## *User's Guide*

# ***TPA311 Audio Power Amplifier Evaluation Module***

## ***User's Guide***

***SLOU013  
February 1998***



Printed on Recycled Paper

## IMPORTANT NOTICE

Texas Instruments (TI) reserves the right to make changes to its products or to discontinue any semiconductor product or service without notice, and advises its customers to obtain the latest version of relevant information to verify, before placing orders, that the information being relied on is current.

TI warrants performance of its semiconductor products and related software to the specifications applicable at the time of sale in accordance with TI's standard warranty. Testing and other quality control techniques are utilized to the extent TI deems necessary to support this warranty. Specific testing of all parameters of each device is not necessarily performed, except those mandated by government requirements.

Certain applications using semiconductor products may involve potential risks of death, personal injury, or severe property or environmental damage ("Critical Applications").

**TI SEMICONDUCTOR PRODUCTS ARE NOT DESIGNED, INTENDED, AUTHORIZED, OR WARRANTED TO BE SUITABLE FOR USE IN LIFE-SUPPORT APPLICATIONS, DEVICES OR SYSTEMS OR OTHER CRITICAL APPLICATIONS.**

Inclusion of TI products in such applications is understood to be fully at the risk of the customer. Use of TI products in such applications requires the written approval of an appropriate TI officer. Questions concerning potential risk applications should be directed to TI through a local SC sales office.

In order to minimize risks associated with the customer's applications, adequate design and operating safeguards should be provided by the customer to minimize inherent or procedural hazards.

TI assumes no liability for applications assistance, customer product design, software performance, or infringement of patents or services described herein. Nor does TI warrant or represent that any license, either express or implied, is granted under any patent right, copyright, mask work right, or other intellectual property right of TI covering or relating to any combination, machine, or process in which such semiconductor products or services might be or are used.

Copyright © 1998, Texas Instruments Incorporated

# Preface

---

---

---

---

## ***Related Documentation From Texas Instruments***

- ***TI Plug-N-Play Audio Amplifier Evaluation Platform*** (literature number SLOU011) provides detailed information on the evaluation platform and its use with TI audio evaluation modules.
- ***TPA311 350-mW LOW-VOLTAGE AUDIO POWER AMPLIFIER*** (literature number SLOS207) This is the data sheet for the TPA311 audio amplifier integrated circuit.

## ***FCC Warning***

This equipment is intended for use in a laboratory test environment only. It generates, uses, and can radiate radio frequency energy and has not been tested for compliance with the limits of computing devices pursuant to subpart J of part 15 of FCC rules, which are designed to provide reasonable protection against radio frequency interference. Operation of this equipment in other environments may cause interference with radio communications, in which case the user at his own expense will be required to take whatever measures may be required to correct this interference.

## ***Trademarks***

TI is a trademark of Texas Instruments Incorporated.

**If You Need Assistance. . .**

<b>If you want to. . .</b>	<b>Do this. . .</b>
Request more information about Texas Instruments Digital Signal Processing (DSP) products	Call the PIC† hotline: <b>(972) 644-5580</b>  Or send a fax to the PIC: <b>(972) 480-7800</b>  Or write to: Texas Instruments Incorporated Product Information Center, MS 3123 P.O. Box 660246 Dallas, Texas 75266
Order Texas Instruments documentation	Call the PIC† hotline: <b>(972) 644-5580</b>
Ask questions about product operation or report suspected problems	Call the PIC† hotline: <b>(972) 644-5580</b>
Report mistakes in this document or any other TI documentation	Send a fax to MSP Marketing Documentation Correction: <b>(972) 480-3160</b>  Or send your comments to: Texas Instruments Incorporated MSP Marketing Documentation, MS 8710 P.O. Box 660199 Dallas, Texas 75266-0199

† Texas Instruments Product Information Center

# Contents

---

---

---

<b>1</b>	<b>Introduction</b>	<b>1-1</b>
1.1	Feature Highlights	1-3
1.2	Description	1-4
1.3	TPA311 EVM Specifications	1-4
<b>2</b>	<b>Quick Start</b>	<b>2-1</b>
2.1	Precautions	2-2
2.2	Quick Start List for Platform	2-3
2.3	Quick Start List for Stand-Alone	2-4
<b>3</b>	<b>Details</b>	<b>3-1</b>
3.1	Precautions	3-2
3.2	The TPA311 Audio Amplifier Evaluation Module	3-3
3.2.1	TPA311 Audio Amplifier IC	3-4
3.2.2	BTL Operation	3-4
3.2.3	Single-Ended Operation	3-5
3.2.4	Module Gain	3-5
3.2.5	Shutdown	3-5
3.3	Using The TPA311 EVM With The Plug-N-Play Evaluation Platform	3-6
3.3.1	Installing and Removing EVM Boards	3-6
3.3.2	Signal Routing	3-7
3.3.3	Mute/Mode	3-8
3.3.4	Power Requirements	3-10
3.3.5	Inputs and Outputs	3-11
3.4	Using The TPA311 EVM Stand-ALone	3-12
3.4.1	TPA311 EVM Connected for BTL Output	3-12
3.4.2	TPA311 EVM Connected for Single-Ended Output	3-13
3.5	TPA311 Audio Amplifier Evaluation Module Parts List	3-14

# Figures

---

---

---

1-1	The TI TPA311 Audio Amplifier Evaluation Module .....	1-4
2-1	Quick Start Platform Map .....	2-2
2-2	Quick Start Module Map .....	2-4
3-1	The TI Plug-N-Play Audio Amplifier Evaluation Platform .....	3-2
3-2	TPA311 EVM .....	3-3
3-3	TPA311 EVM Schematic Diagram .....	3-3
3-4	TPA311 Audio Amplifier IC .....	3-4
3-5	Platform Signal Routing and Outputs .....	3-7
3-6	Mute/Mode and Polarity Control .....	3-8
3-7	Typical Headphone Plug .....	3-11
3-8	TPA311 EVM Connected for Stereo BTL Output .....	3-12
3-9	TPA311 EVM Connected for Stereo Single-Ended Output .....	3-13

# Tables

---

---

---

2-1	Typical TI Plug-N-Play Platform Jumper and Switch Settings for the TPA311 .....	2-1
2-2	Platform Jumper and Switch Settings for the TPA311 .....	2-3
3-1	TPA311 EVM Parts List .....	3-14

# Introduction

---

---

---

---

This chapter provides an overview of the Texas Instruments (TI™) TPA311 Audio Amplifier Evaluation Module (SLOP116). It includes a list of EVM features, a brief description of the module illustrated with a pictorial diagram, and a list of EVM specifications.

<b>Topic</b>	<b>Page</b>
1.1 Feature Highlights	1-3
1.2 Description	1-4
1.3 TPA311 EVM Specifications	1-4





## 1.1 Feature Highlights

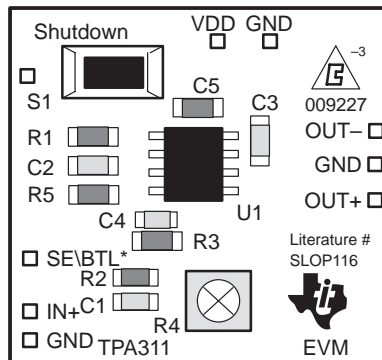
The TI TPA311 Audio Amplifier Evaluation Module and the TI Plug-N-Play Audio Amplifier Evaluation Platform include the following features:

- TPA311 Low-Voltage Audio Power Amplifier Evaluation Module
  - Single channel, bridge-tied load (BTL) or single-ended operation
  - 3.3-V and 5-V operation
  - 350 mW output power into 8  $\Omega$  at 5 V, BTL
  - Ultra-low current consumption in shutdown/mute mode
  - Internal thermal and short-circuit protection
  - Module gain adjustable between approximately 2 and 22
  
- Quick and Easy Configuration with The TI Plug-N-Play Audio Amplifier Evaluation Platform
  - Evaluation module is designed to simply plug into the platform, automatically making all signal, control, and power connections
  - Platform provides flexible power options
  - Jumpers on the platform select power and module control options
  - Switches on the platform route signals
  - Platform provides quick and easy audio input and output connections
  
- Platform Power Options
  - On-board 9-V battery
  - External 5-V – 15-V DC  $V_{CC}$  supply inputs
  - External regulated  $V_{DD}$  supply input
  - Socket for on-board 5 V/3.3 V  $V_{DD}$  voltage regulator EVM
  - On-board overvoltage and reverse polarity power protection
  
- Platform Audio Input and Output Connections
  - Left and right RCA phono jack inputs
  - Miniature stereo phone jack input
  - Left and right RCA phono jack outputs
  - Left and right compression speaker terminal outputs
  - Miniature stereo headphone jack output

## 1.2 Description

The TPA311 Audio Power Amplifier Evaluation Module is a complete, low-power single-channel audio power amplifier. It consists of the TI TPA311 350-mW Low-Voltage Audio Power Amplifier IC along with a small number of other parts mounted on a circuit board that is approximately one and a quarter inches square (Figure 1–1).

Figure 1–1. The TI TPA311 Audio Amplifier Evaluation Module



Single in-line header pins are mounted to the underside of the module circuit board to allow the EVM to be plugged into the TI Plug-N-Play Audio Amplifier Evaluation Platform, or to be wired directly into existing circuits and equipment when used stand-alone.

The platform has room for a pair of TPA311 evaluation modules and is a convenient vehicle for demonstrating TI's audio power amplifier and related evaluation modules. The EVMs simply plug into the platform, which automatically provides power to the modules, interconnects them correctly, and connects them to a versatile array of standard audio input and output jacks and connectors. Easy-to-use configuration controls allow the platform and EVMs to quickly model many possible end-equipment configurations.

There is nothing to build, nothing to solder, and nothing but the speakers included with the platform to “hook up.”

## 1.3 TPA311 EVM Specifications

Supply voltage range, $V_{DD}$	2 V to 5.5 V
Supply current, $I_{DD}$	250 mA, max
Continuous output power, $P_O$ : 8- $\Omega$ BTL, $V_{DD}=5$ V:	350 mW
32- $\Omega$ BTL, $V_{DD}=5$ V:	75 mW
Audio input voltage, $V_I$	2 V <sub>pp</sub> , max
Minimum load impedance, $R_L$	8 $\Omega$

## Quick Start

The steps in this chapter can be followed to quickly prepare the TPA311 audio amplifier EVM for use. While using the TPA311 with the TI Plug-N-Play Audio Amplifier Evaluation Platform is a quick and easy way to connect power, signal and control inputs, and signal outputs to the EVM using standard connectors, the audio amplifier evaluation module can be used stand-alone by making connections directly to the module pins, and can be wired directly into existing circuits or equipment.

The platform switch and jumper settings shown in Table 2–1 are typical for the TPA311 EVM and will cause the TPA311 to switch to single-ended output mode when a plug is inserted into platform headphone jack J10.

*Table 2–1. Typical TI Plug-N-Play Platform Jumper and Switch Settings for the TPA311*

EVM	JP6	JP7	JP8	S2	S3
TPA311	Mode	X	Hi	Note 2	X

- Notes:**
- 1) X = Don't care
  - 2) Set S2 to ON when signal conditioning board is installed in U1; set S2 to OFF when no signal conditioning board is installed.

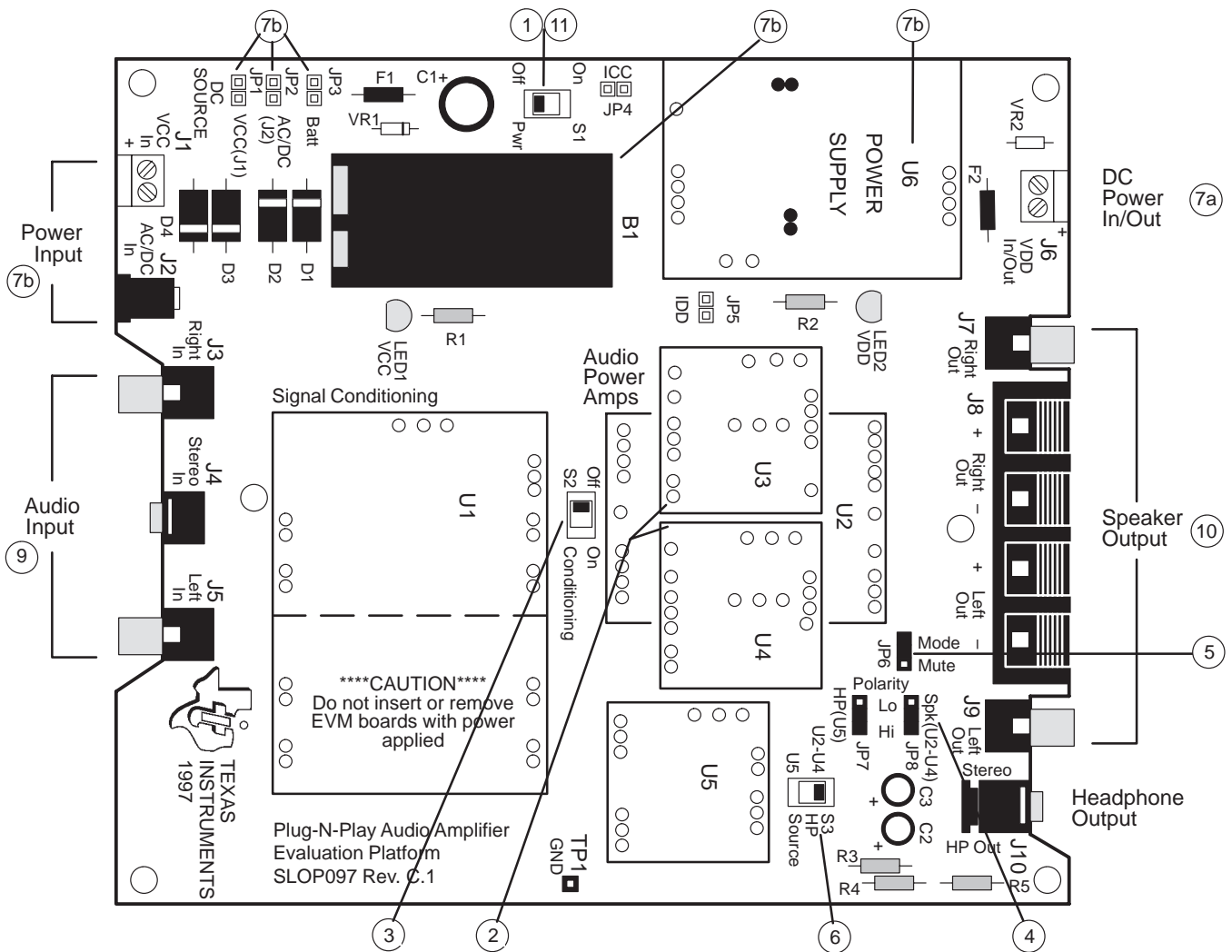
Topic	Page
2.1 Precautions	2–2
2.2 Quick Start List for Platform	2–3
2.3 Quick Start List for Stand-Alone	2–4

## 2.1 Precautions

**Power Supply Input Polarity and Maximum Voltage**  
 Always ensure that the polarity and voltage of the external power connected to  $V_{CC}$  power input connector J1, J2, and/or  $V_{DD}$  power input connector J6 are correct. Overvoltage or reverse-polarity power applied to these terminals can open on-board soldered-in fuses and cause other damage to the platform, installed evaluation modules, and/or the power source.

**Inserting or Removing EVM Boards**  
 Do not insert or remove EVM boards with power applied — damage to the EVM board, the platform, or both may result.

Figure 2–1. Quick Start Platform Map



## 2.2 Quick Start List for Platform

Use the following steps when using the TPA311 EVM with the TI Plug-N-Play Audio Amplifier Evaluation Platform (see the platform user's guide, SLOU011, for additional details). Numbered callouts for selected steps are shown in Figure 2–1 and details appear in Chapter 3.

### □ Platform preparations

- 1) Ensure that all external power sources are set to **OFF** and that the platform power switch **S1** is set to **OFF**
- 2) Install a TPA311 module in platform sockets **U3** and **U4** for stereo operation (or a module in either **U3** or **U4** for single channel operation), taking care to align the module pins correctly
- 3) Use switch **S2** to select or bypass the signal conditioning EVM (**U1**)
- 4) Set control signal **Polarity** jumper **JP8** to **Hi**
- 5) Set jumper **JP6** to select the **Mode** control input (causes the TPA311 to switch to the single-ended output mode if a plug is inserted into platform headphone jack **J10**)
- 6) If the headphone Jack (**J10**) output will be used, set Hp source switch **S3** to **U2–U4**.

Table 2–2. Platform Jumper and Switch Settings for the TPA311

EVM	JP6	JP7	JP8	S2	S3
TPA311	Mode	X	Hi	Note 2	X

**Notes:** 1) X = Don't care  
2) Set **S2** to **ON** when signal conditioning board is installed in **U1**; set **S2** to **OFF** when no signal conditioning board is installed.

### □ Power supply

- 7) Select and connect the power supply:
  - a) Connect an external regulated power supply set to a voltage between 2.0 V and 5.5 V to platform  $V_{DD}$  power input connector **J6** taking care to observe marked polarity, or
  - b) Install a voltage regulator EVM (SLVP097 or equiv.) in platform socket **U6**. Install a 9-V battery in **B1** or connect a 7 V – 12 V power source to a platform  $V_{CC}$  power input **J1** or **J2** and jumper the appropriate power input (see platform user's guide)

### □ Inputs and outputs

- 8) Ensure that signal source level adjustments and EVM gain, **R4**, are set to minimum
- 9) Connect the audio source to left and right RCA phono jacks **J3** and **J5** or stereo miniature phone jack **J4**
- 10) Connect 8- $\Omega$  – 32- $\Omega$  speakers to left and right RCA jacks **J7** and **J9** or to stripped wire connectors **J8**

### □ Power-up

- 11) Verify correct voltage and input polarity and set the external power supply to **ON**. If  $V_{CC}$  and an on-board regulator EVM are used to provide  $V_{DD}$ , set platform power switch **S1** to **ON**

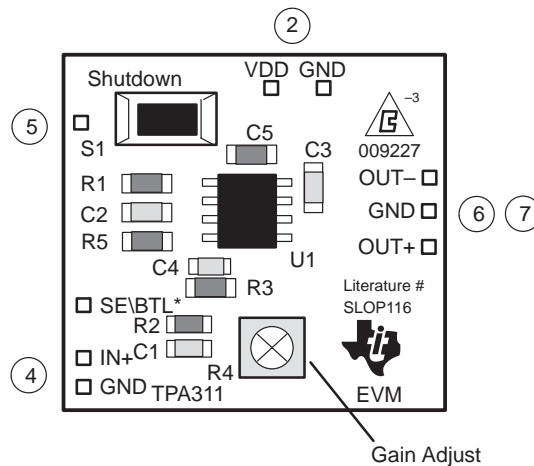
Platform LED2 should light indicating the presence of  $V_{DD}$ , and the evaluation modules installed on the platform should begin operation.

- 12) Adjust the signal source level and EVM gain level (**R4**) as needed

## 2.3 Quick Start List for Stand-Alone

Use the following steps to use the TPA311 EVM stand-alone or when connecting it into existing circuits or equipment. Connections to the TPA311 module header pins can be made via individual sockets, wire-wrapping, or soldering to the pins, either on the top or the bottom of the module circuit board. Numbered callouts for selected steps are shown in Figure 2–2 and details appear in Chapter 3.

Figure 2–2. Quick Start Module Map



### ❑ Power supply

- 1) Ensure that all external power sources are set to **OFF**
- 2) Connect an external regulated power supply set to 5 V to the module **VDD** and **GND** pins taking care to observe marked polarity

### ❑ Inputs and outputs

- 3) Ensure that signal source level adjustments and EVM gain (**R4**) are set to minimum
- 4) Connect the audio source to the module **IN+** and **GND** pins taking care to observe marked polarity
- 5) Connect the **Shutdown** pin to  $V_{DD}$  through a Normally Open switch
- 6) For BTL output, connect an 8- $\Omega$  – 32- $\Omega$  speaker to the module **OUT+** and **OUT-** pins, or
- 7) For single-ended output, connect a headphone or an 8- $\Omega$  – 32- $\Omega$  speaker to the module **OUT+** and **GND** pins through a 33  $\mu$ F to 1000  $\mu$ F output-coupling capacitor (figure 3–9)

### ❑ Power-up

- 8) Verify correct voltage and input polarity and set the external power supply to **ON**

The EVM should begin operation.

- 9) Adjust the signal source level and EVM gain level (**R4**) as needed

# Details

---

---

---

---

---

This chapter provides details on the TPA311 IC, the evaluation module, and the steps in the Quick-Start List, additional application information, and a parts list for the TPA311 evaluation module.

<b>Topic</b>	<b>Page</b>
<b>3.1 Precautions</b>	<b>3-2</b>
<b>3.2 The TPA311 Audio Power Amplifier Evaluation Module</b>	<b>3-3</b>
3.2.1 TPA311 Audio Amplifier IC	3-4
3.2.2 BTL Operation	3-4
3.2.3 Single-Ended Operation	3-5
3.2.4 Module Gain	3-5
3.2.5 Shutdown	3-5
<b>3.3 Using The TPA311 EVM With The Plug-N-Play Evaluation Platform</b>	<b>3-6</b>
3.3.1 Installing and Removing EVM Boards	3-6
3.3.2 Signal Routing	3-7
3.3.3 Mute/Mode	3-8
3.3.4 Power Requirements	3-10
3.3.5 Inputs and Outputs	3-11
<b>3.4 Using The TPA311 EVM Stand-Alone</b>	<b>3-12</b>
3.4.1 TPA311 EVM Connected for BTL Output	3-12
3.4.2 TPA311 EVM Connected for Single-Ended Output	3-13
<b>3.5 TPA311 Audio Power Amplifier Evaluation Module Parts List</b>	<b>3-14</b>

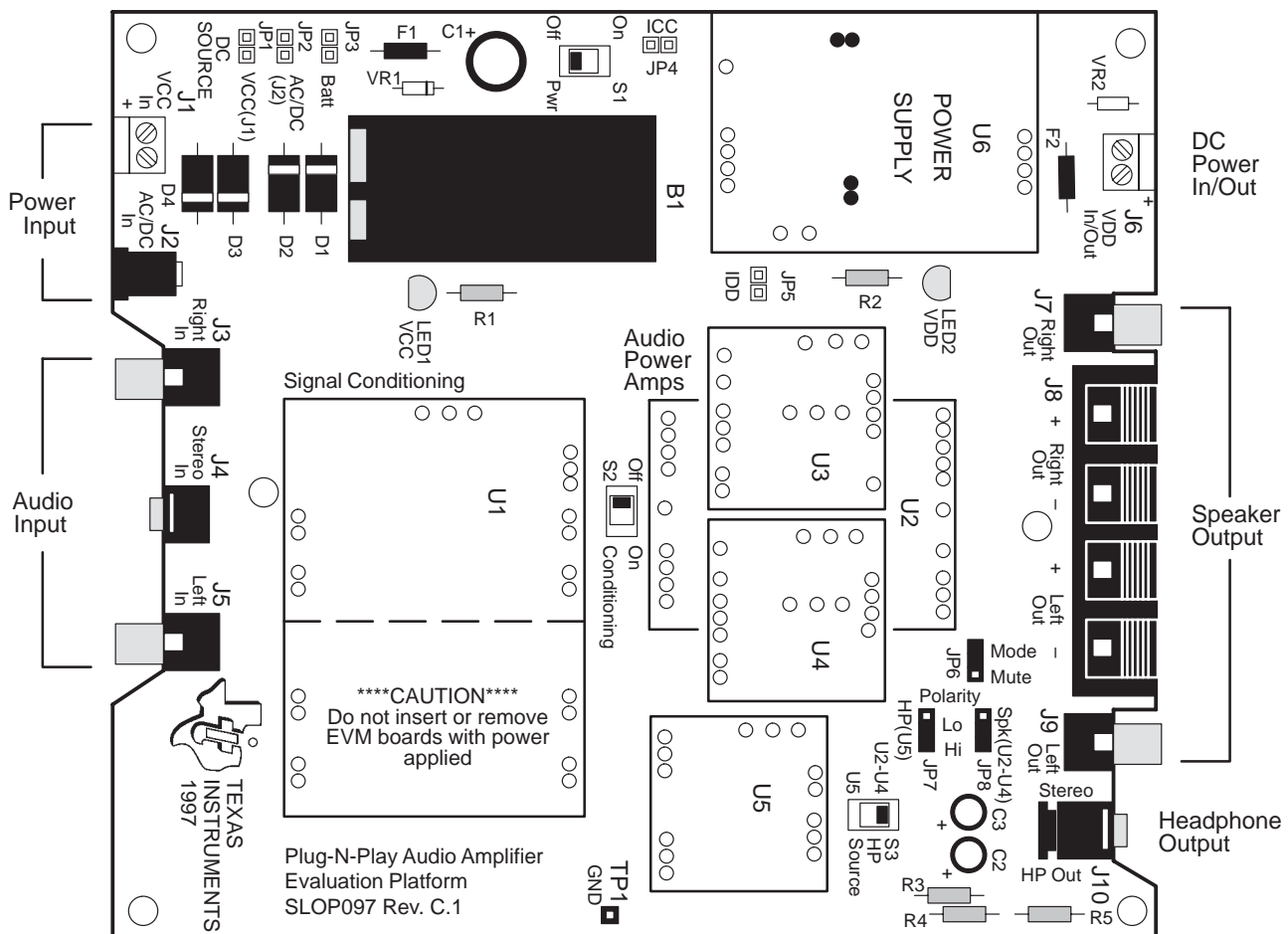


### 3.1 Precautions

**Power Supply Input Polarity and Maximum Voltage**  
 Always ensure that the polarity and voltage of the external power connected to  $V_{CC}$  power input connector J1, J2, and/or  $V_{DD}$  power input connector J6 are correct. Overvoltage or reverse-polarity power applied to these terminals can open on-board soldered-in fuses and cause other damage to the platform, installed evaluation modules, and/or the power source.

**Inserting or Removing EVM Boards**  
 Do not insert or remove EVM boards with power applied — damage to the EVM board, the platform, or both may result.

Figure 3–1. The TI Plug-N-Play Audio Amplifier Evaluation Platform



### 3.2 The TPA311 Audio Power Amplifier Evaluation Module

The TPA311 Audio Power Amplifier Evaluation Module is powered by a TPA311 350-mW Low-Power Audio Amplifier IC and includes on-board gain adjustment, a shutdown control signal input with on-board switch, and can be operated in either the BTL or single-ended output mode.

The module can be used with the TI Plug-N-Play Audio Amplifier Evaluation Platform (Figure 3–1) or wired directly into circuits or equipment. The module has single in-line header connector pins mounted to the under side of the board. These pins allow the module to be plugged into the TI platform, which automatically makes all the signal input and output, power, and control connections to the module.

The module connection pins are on 0.1-inch centers to allow easy use with standard perf board and plug board-based prototyping systems, or to be wired directly into existing circuits and equipment when used stand-alone.

The module appears in Figure 3–2 and its schematic is shown in Figure 3–3.

Figure 3–2. TPA311 EVM

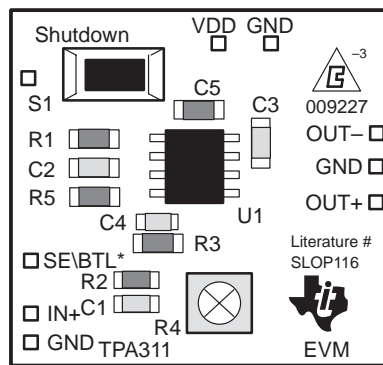
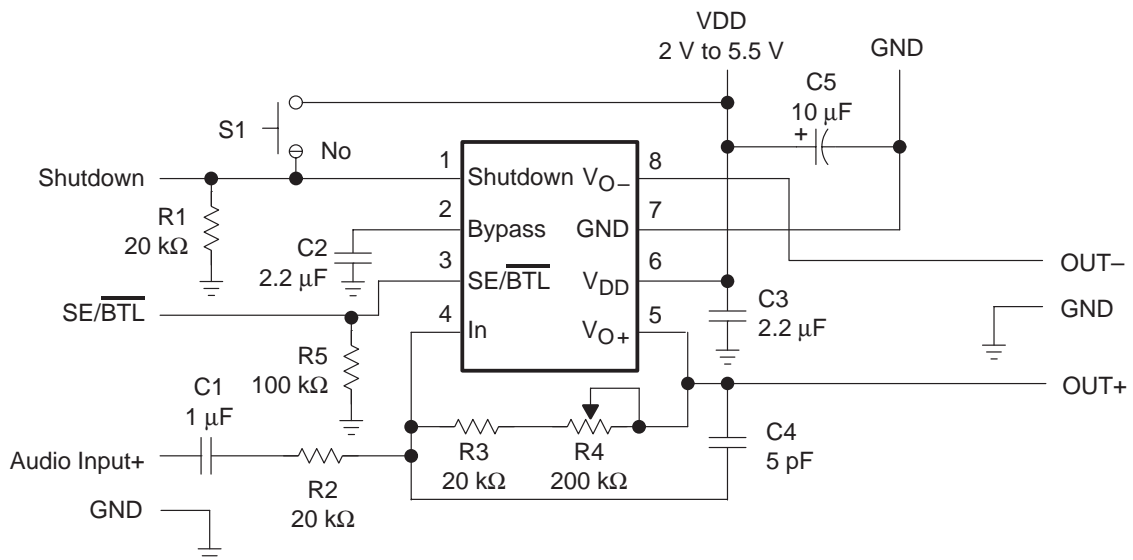


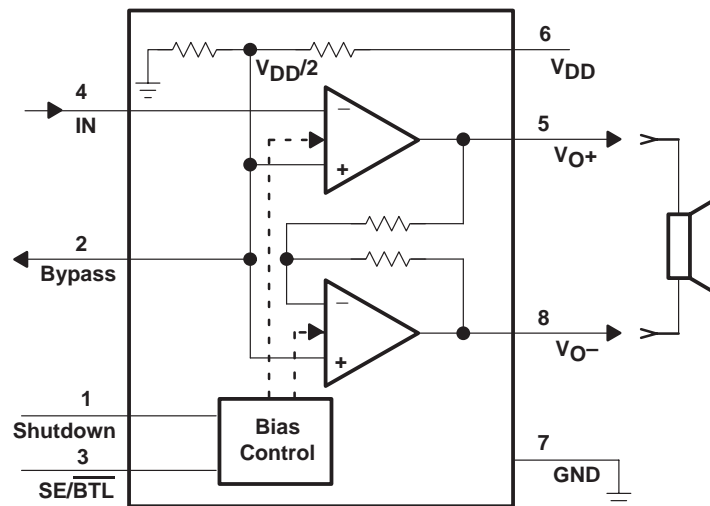
Figure 3–3. TPA311 EVM Schematic Diagram



### 3.2.1 TPA311 Audio Amplifier IC

The TPA311 audio amplifier IC is a CMOS device intended primarily for bridge-tied load (BTL) operation in battery-powered applications. It is supplied in a very small surface-mount package and has been designed to operate from low supply voltages (between approximately 2 V and 5.5 V) and deliver up to approximately 350 mW into an 8- $\Omega$ , BTL (Figure 3–4). Typical applications include portable phones, toys, games, and similar hand-held audio applications.

Figure 3–4. TPA311 Amplifier IC



The IC includes two separate internal amplifiers and can operate in either the bridged-tied load (BTL) mode or the single-ended mode as selected by the  $\overline{\text{SE/BTL}}$  pin. In the BTL mode, the two amplifiers operate 180° out-of-phase with each other for increased power. The speaker load is connected directly across  $V_{O+}$  and  $V_{O-}$ , and neither line is connected to ground. BTL operation provides many benefits, including quadruple the output power of single-ended operation and no need for bulky output coupling capacitors. In the single-ended mode, one internal amplifier is turned off and the speaker load is connected between the  $V_{O+}$  terminal, through an output coupling capacitor, and system ground. For more information, see the TPA311 amplifier IC data sheet, TI Literature Number SLOS207.

### 3.2.2 BTL Operation

To operate in the bridge-tied load output mode, the module  $\overline{\text{SE/BTL}}$  control input terminal must be held low. The module output signal from  $\text{OUT+}$  must go through the speaker load and be returned directly to  $\text{OUT-}$ , and **NOT** to system ground. This requires that the  $\text{OUT-}$  line be isolated not only from system ground, but also from the  $\text{OUT-}$  lines of any other amplifiers in the system. The platform provides such isolated output lines from the amplifier EVM sockets directly to separate left and right speaker connectors.

### 3.2.3 Single-Ended Operation

For single-ended operation, the module  $\overline{\text{SE/BTL}}$  control input pin must be held high. The speaker (or headphone) load is connected to the module OUT+ output pin through a coupling capacitor, and to platform/system ground. A 470- $\mu\text{F}$  electrolytic coupling capacitor is provided on the platform in the signal path to the headphone output jack for this purpose and a control signal from the platform headphone jack can be routed to the module control input pin to switch the TPA311 IC to the single-ended mode.

In the single-ended mode, the amplifier inside the TPA311 IC that drives the OUT- line does not operate and does not dissipate any power. The OUT- pin goes into a high-impedance state and can be left connected or allowed to float.

### 3.2.4 Module Gain

The TPA311 evaluation module can be set for an overall gain of between 2 and 22 by adjustment of the on-board gain control, R4. The TPA311 amplifier IC, as most other amplifiers, exhibits its best distortion and noise performance at lower gain levels (see the TPA311 data sheet). Even so, the TPA311 at its highest gain setting has significantly less distortion than most low-cost speakers.

Gain versus total harmonic distortion (THD) should be considered in each application. Both the module input signal level and the TPA311 module gain should be adjusted to obtain the lowest overall distortion level for a particular overall gain. A quick rule of thumb (everything else being equal): the module input signal level should be as high as possible without clipping or overloading the TPA311 input, and the TPA311 gain kept as low as possible.

### 3.2.5 Shutdown

When the shutdown terminal of the TPA311 amplifier IC is taken high, the IC ceases operation and enters an ultra-low power state. This is accomplished by applying a control signal to the module Shutdown pin or by pressing the Shutdown switch, S1, on the module. When the control signal goes low or is removed (or the switch is released), amplifier operation resumes.

The Plug-N-Play platform can generate the shutdown (mute) signal for the module either when a plug is *inserted* into the platform headphone output jack or when the plug is *removed*, as selected by a platform jumper (JP8).

### 3.3 Using The TPA311 EVM With the Plug-N-Play Evaluation Platform

The TPA311 Audio Amplifier Evaluation Module was designed to be used with the TI Plug-N-Play Audio Amplifier Evaluation Platform. It simply plugs into socket U3 or U4.

The following paragraphs provide additional details for using the TPA311 EVM with the platform.

#### 3.3.1 Installing and Removing EVM Boards

TI Plug-N-Play evaluation modules use single-in-line header pins installed on the underside of the module circuit board to plug into sockets on the platform. The EVM pins and the platform sockets are keyed such that only the correct type of EVM can be installed in a particular socket, and then only with the proper orientation.

Evaluation modules are easily removed from the platform by simply prying them up and lifting them out of their sockets. Care must be taken, however, to prevent bending the pins.

##### 3.3.1.1 EVM Insertion

- 1) Remove all power from the evaluation platform
- 2) Locate socket U3 or U4 on the platform
- 3) Orient the module correctly
- 4) Carefully align the pins of the module with the socket pin receptacles
- 5) Gently press the module into place
- 6) Check to be sure that all pins are seated properly and that none are bent over

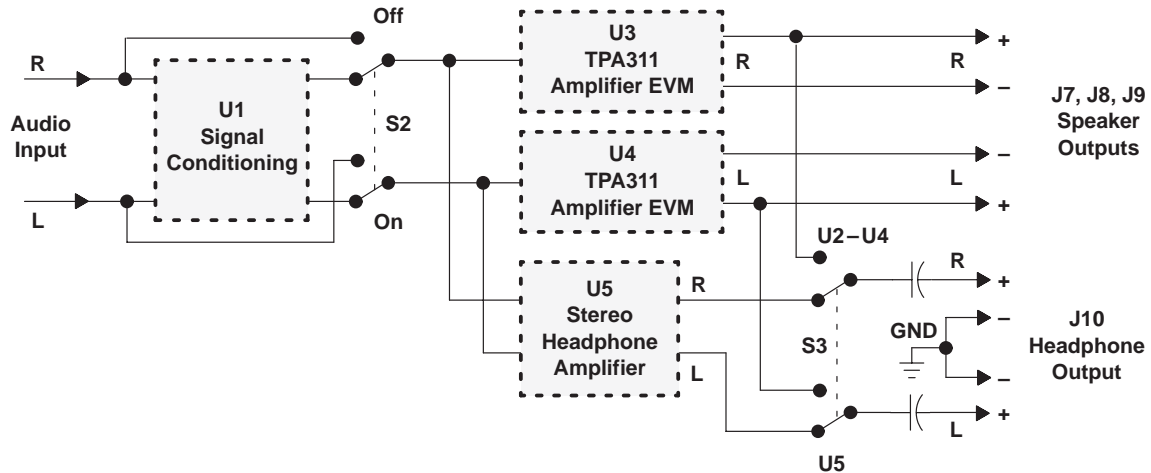
##### 3.3.1.2 EVM Removal

- 1) Remove all power from the evaluation platform
- 2) Using an appropriate tool as a lever, gently pry up one side of the module a small amount
- 3) Change to the opposite side of the module and use the tool to pry that side up a small amount
- 4) Alternate between sides, prying the module up a little more each time to avoid bending the pins, until it comes loose from the socket
- 5) Lift the EVM off of the platform

### 3.3.2 Signal Routing

Signal flow on the platform is controlled by two signal routing switches, as shown in Figure 3–5.

Figure 3–5. Platform Signal Routing and Outputs



#### 3.3.2.1 Signal Conditioning

The audio signal from the input jacks can be applied to the signal conditioning socket (U1) if an EVM is installed there, or socket U1 can be bypassed and the audio input signal applied directly to the inputs of the TPA311 power amplifiers.

- Switch **S2** selects signal conditioning or bypasses it

#### 3.3.2.2 Headphone Output Jack

Switch S3 is the source select for the stereo headphone output jack, J10. The headphone jack is capacitively coupled (via 470  $\mu$ F electrolytics) and can output either the signal from the headphone amplifier in socket U5, or the signal from the TPA311 power amplifiers installed in sockets U3 and U4, as determined by the setting of headphone source select switch S3.

When S3 is set to the power amplifier position (U2 – U4), the headphone jack is connected to the TP311 power amplifier OUT+ output lines. When a plug is inserted into the jack, signals output through J10 are returned to platform ground, requiring single-ended power amplifier operation. A switch inside the headphone jack produces a control signal that can be routed to the power amplifier sockets to shut down the TPA311 EVMs when a plug is inserted.

Source select switch S3 connects the headphone jack to the output lines of either the headphone amplifier socket U5, or the power amplifier sockets (U2 – U4).

- To keep the TPA311 amplifier outputs separated, set switch **S3** to the headphone amplifier position (**U5**) and use the speaker outputs (**J7**, **J8**, and **J9**)
- To route the TPA311 amplifier outputs to the headphone output jack (**J10**), set switch **S3** to the power amplifier position (**U2 – U4**) — use this setting *only* if the TPA311 EVMs are to drive single-ended loads connected to **J10**

### 3.3.3 Mute/Mode

The TPA311 EVM is equipped with a mute (shutdown) control input pin. When this input is tied to  $V_{DD}$ , the TPA311 amplifier IC on the module shuts down and assumes an ultra-low power mode. When the EVM control input is tied to GND or allowed to float, amplifier operation resumes.

In typical applications, as often found in notebook computers, portable audio products, and such, the internal speakers mute when headphones are plugged into the headphone jack, or internal speakers mute when external speakers are connected. In applications using separate speaker and headphone amplifiers, the one not being used can be shut down (muted) to conserve power.

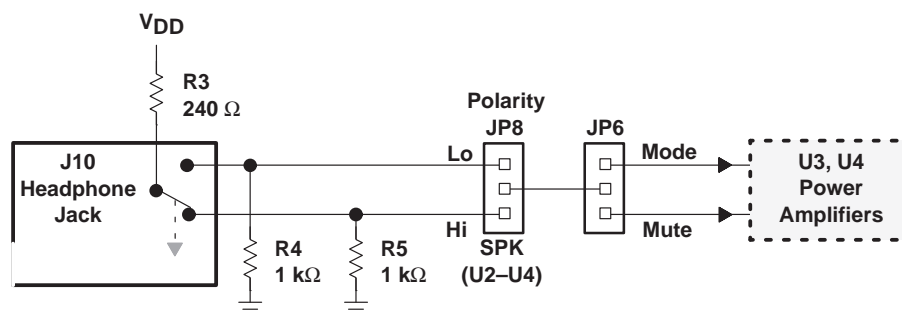
A mode control input pin on the EVM switches the TPA311 amplifier IC between the bridge-tied load (BTL) output mode and the single-ended output mode. When the mode control input is tied to GND, the module operates in the BTL output mode. When this input is tied to  $V_{DD}$ , the module operates in the single-ended output mode.

In the typical application, output mode switching allows the TPA311 to operate in the BTL output mode for increased power to internal speakers and then switch to single-ended mode to drive headphones when a plug is inserted into the headphone jack.

#### 3.3.3.1 Headphone Jack Control Signals

The platform headphone output jack (J10) contains an internal switch that changes the state of a pair of control lines when a plug is inserted (Figure 3–6). Each control line is pulled down by a 1-k $\Omega$  resistor to ground (R4 and R5). The switch in the headphone jack pulls one line or the other up to  $V_{DD}$  through a 240  $\Omega$  resistor (R3) depending on whether a plug is inserted in J10 or not.

Figure 3–6. Mute/Mode and Polarity Control



### 3.3.3.2 Mute/Mode Select (JP6)

A 3-pin jumper header (JP6) on the platform, functioning as a SPDT switch, routes the control signal from the headphone jack to either the mute control input pin or the mode control input pin of the evaluation module.

- To mute the TPA311 amplifier module using the control signal from the platform headphone jack, jumper **JP6** to **MUTE**
- To switch the output mode of the TPA311 amplifier between BTL and single-ended using the control signal from the platform headphone jack, jumper **JP6** to **MODE**

### 3.3.3.3 Mute/Mode Polarity Select (JP8)

A second 3-pin jumper header (JP8) on the platform selects the control signal polarity by connecting either the active-high or the active-low line from the headphone jack to jumper JP6.

- When JP6 is set to Mute, use the following JP8 settings for the TPA311:
  - To mute the TPA311 amplifier module *when* a plug is inserted into the headphone jack, jumper **JP8** to **Hi** (this is the typical setting).
  - To mute the TPA311 amplifier module *until* a plug is inserted into the headphone jack, jumper **JP8** to **Lo**.
- When JP6 is set to Mode, use the following JP8 settings for the TPA311:
  - To switch the TPA311 amplifier module to the *single-ended* output mode when a plug is inserted into the headphone jack, jumper **JP8** to **Hi** (this is the typical setting).
  - To switch the TPA311 amplifier module to the *BTL* output mode when a plug is inserted into the headphone jack, jumper **JP8** to **Lo**.



### 3.3.4 Power Requirements

The TPA311 Audio Power Amplifier Evaluation Module can operate from any voltage between approximately 2 V and 5.5 V, however, the TPA311 amplifier IC on the module is characterized for operation at 3.3 V and 5 V. For best performance (highest output power with lowest distortion), the module should be operated at approximately 5 V unless there is a specific reason for operating it from a lower voltage.

The TI Plug-N-Play Audio Amplifier Evaluation Platform with a voltage regulator EVM installed on it can provide a regulated  $V_{DD}$  supply from a wide variety of unregulated  $V_{CC}$  voltage inputs between approximately 5.5 V and 12 V, including an on-board 9-V battery. Or, an external regulated power source can be used to supply  $V_{DD}$  voltage to the platform and the TPA311 evaluation modules installed on it.

The platform is equipped with overvoltage and reverse-polarity supply voltage input protection in the form of fused crowbar circuits.

- $V_{DD}$  voltage applied to platform screw terminals J6 *MUST NOT* exceed the absolute maximum rating for the TPA311 amplifier IC installed on the evaluation module (6 V) or damage to the IC may result. In no case should  $V_{DD}$  voltage of the incorrect polarity or in excess of 6.1 V be applied to screw terminals J6 of the platform, or the power protection circuit on the  $V_{DD}$  line will trip.
- $V_{CC}$  voltage applied to the platform *MUST NOT* exceed the maximum voltage input specified for the voltage regulator module installed in socket U6 (12 V for the SLVP097), or damage to the voltage regulator module may result. In no case should  $V_{CC}$  voltage applied to the platform exceed 15 V, or the overvoltage protection circuit on the  $V_{CC}$  bus will trip.

### 3.3.5 Inputs and Outputs

The TI Plug-N-Play Audio Amplifier Evaluation Platform is equipped with several standard connectors for audio inputs and outputs.

#### 3.3.5.1 Inputs

In most cases, audio signals enter the platform through either a pair of RCA phono jacks (J3 and J5) or a miniature (1/8") stereo phone jack (J4). Certain signal conditioning and amplifier EVMs, however, may have additional signal input connectors mounted on the module circuit board.

The platform audio signal input jacks (J3, J4, and J5) are of the closed-circuit type, grounding the signal input lines when no plugs are inserted.

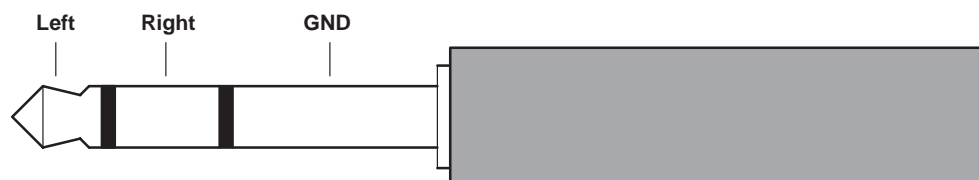
#### 3.3.5.2 Outputs

Amplified audio output signals leave the platform through left and right RCA phono jacks (J7 and J9), left and right pairs of compression connectors for stripped speaker wires (J8), and optionally, through a miniature (1/8") stereo phone jack (J10), for headphones.

The audio output lines from the power amplifiers are separate all the way to the edge of the platform (output jacks J7, J8, and J9) — the OUT– lines from the power amplifier sockets are not tied to each other or to platform ground. This allows the TPA311 power amplifier EVMs to operate in the highly-efficient bridge-tied load configuration.

The headphone jack (J10) is capacitively coupled to source select switch S3, which connects J10 to the output lines of either the headphone amplifier socket or the power amplifier sockets (Figure 3–5). When the TPA311 output signal is routed to J10 by S3, signals output via J10 are returned to platform ground when a plug is inserted (Figure 3–7), requiring single-ended operation of the power amplifiers.

Figure 3–7. Typical Headphone Plug



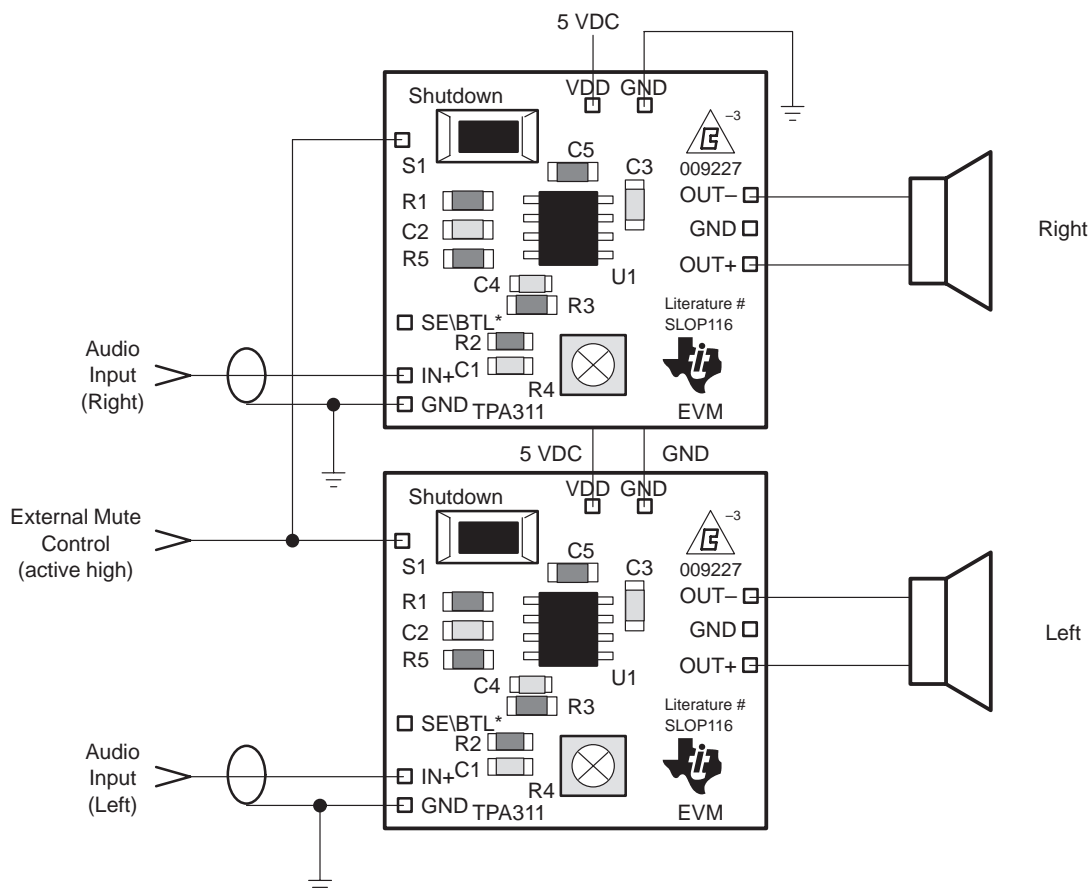
### 3.4 Using The TPA311 EVM Stand-Alone

Using the TPA311 Audio Power Amplifier Evaluation Module stand-alone is much the same as using it with the platform. The same 2-V to 5.5-V power supply range and the isolated OUT+ and OUT- lines for BTL operation requirement exists.

Note that the mute signal applied to the EVM shutdown pins must be able to supply enough current to overcome the pulldown resistors on the modules (20 kΩ || 20 kΩ for two EVMs).

#### 3.4.1 TPA311 EVM Connected for BTL Output

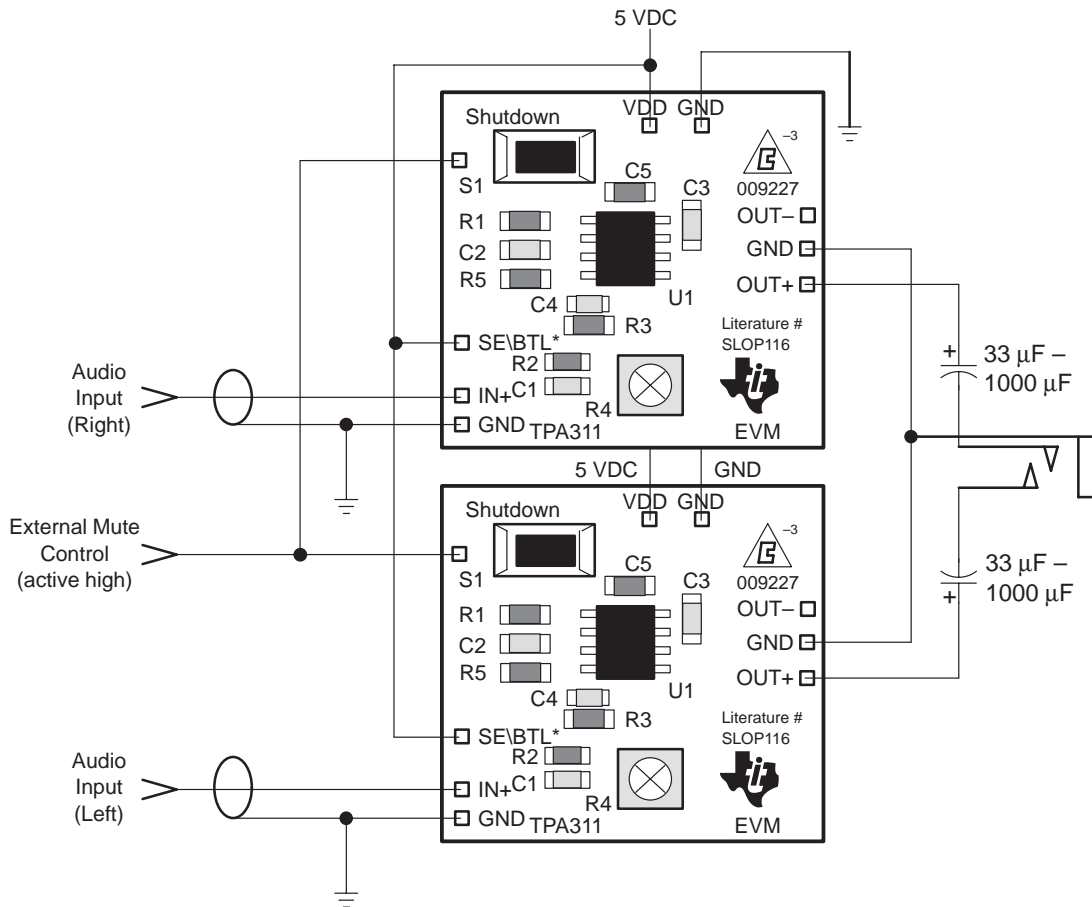
Figure 3–8. TPA311 EVM Connected for Stereo BTL Output



**Note:** The SE/BTL\* (SE/ $\overline{\text{BTL}}$ ) EVM pin is pulled to GND through a 100-KΩ resistor on the module.

### 3.4.2 TPA311 EVM Connected for Single-Ended Output

Figure 3–9. TPA311 EVM Connected for Stereo Single-Ended Output



### 3.5 TPA311 Audio Power Amplifier Evaluation Module Parts List

Table 3–1. TPA311 EVM Parts List

Ref.	Description	Size	EVM Qty.	Manufacturer/ Part Number	Digi-Key Number
R4	Trim Pot, 200 k $\Omega$ Cermet ST SL, (through hole)		1	Bourns 3323P-1-204	Digi-Key 3323P-204-ND
C5	Capacitor, 10 $\mu$ F, 6.3 V	A	1	Panasonic ECS-TOJY106R	Digi-Key PCS1106CT-ND
C1	Capacitor, 1 $\mu$ F, +80%/–20%, nonpolarized	1206	1	Murata GRM42-6Y5V105Z16BL	Newark 93F2254
C2, C3	Capacitor, 2.2 $\mu$ F, 20%, nonpolarized	1206	2	TDK C3216X5R1A225	
C4	Capacitor, 5 pF	0805	1	Panasonic ECU-V1H050CCN	Digi-Key PCC050CNCT-ND
R1, R2, R3	Resistor, 20 k $\Omega$ , 1/8 W, 5%	1206	3	Panasonic ERJ-8GEYJ203	Digi-Key P20KECT-ND
S1	Switch, momentary		1	Panasonic P8048SCT-ND	Digi-Key P8048SCT-ND
U1	IC, TPA311, audio amplifier, 350 mW, mono	SOIC -8	1	TI TPA311	
PCB1	PCB, TPA311 sample EVM		1		

NOTE: All items are SMD except as noted.

## Free Manuals Download Website

<http://myh66.com>

<http://usermanuals.us>

<http://www.somanuals.com>

<http://www.4manuals.cc>

<http://www.manual-lib.com>

<http://www.404manual.com>

<http://www.luxmanual.com>

<http://aubethermostatmanual.com>

Golf course search by state

<http://golfingnear.com>

Email search by domain

<http://emailbydomain.com>

Auto manuals search

<http://auto.somanuals.com>

TV manuals search

<http://tv.somanuals.com>