

TMS320DM643x DMP DSP Subsystem

Reference Guide

Literature Number: SPRU978E
March 2008



Preface	9
1 Introduction	11
1.1 Introduction.....	12
1.2 Block Diagram	12
1.3 DSP Subsystem in TMS320DM643x DMP	13
1.3.1 Components of the DSP Subsystem	13
2 TMS320C64x+ Megamodule	15
2.1 Introduction.....	16
2.2 TMS320C64x+ CPU	16
2.3 Memory Controllers	18
2.3.1 L1P Controller	18
2.3.2 L1D Controller	20
2.3.3 L2 Controller	20
2.3.4 External Memory Controller (EMC)	21
2.3.5 Internal DMA (IDMA).....	21
2.4 Internal Peripherals	22
2.4.1 Interrupt Controller (INTC)	22
2.4.2 Power-Down Controller (PDC).....	22
2.4.3 Bandwidth Manager.....	23
3 System Memory	25
3.1 Memory Map	26
3.1.1 DSP Internal Memory (L1P, L1D, L2)	26
3.1.2 External Memory	26
3.1.3 Internal Peripherals	26
3.1.4 Device Peripherals	26
3.2 Memory Interfaces Overview	27
3.2.1 DDR2 External Memory Interface	27
3.2.2 External Memory Interface	27
4 Device Clocking	29
4.1 Overview.....	30
4.2 Clock Domains.....	30
4.2.1 Core Domains	30
4.2.2 Core Frequency Flexibility	32
4.2.3 DDR2/EMIF Clock.....	33
4.2.4 I/O Domains.....	34
4.2.5 Video Processing Back End	35
5 PLL Controller	37
5.1 PLL Module	38
5.2 PLL1 Control	38
5.2.1 Device Clock Generation	39
5.2.2 Steps for Changing PLL1/Core Domain Frequency	39
5.3 PLL2 Control	43
5.3.1 Device Clock Generation	43

5.3.2	Steps for Changing PLL2 Frequency	44
5.4	PLL Controller Registers	48
5.4.1	Peripheral ID Register (PID)	49
5.4.2	Reset Type Status Register (RSTYPE)	49
5.4.3	PLL Control Register (PLLCTL)	50
5.4.4	PLL Multiplier Control Register (PLLM)	51
5.4.5	PLL Controller Divider 1 Register (PLLDIV1).....	51
5.4.6	PLL Controller Divider 2 Register (PLLDIV2).....	52
5.4.7	PLL Controller Divider 3 Register (PLLDIV3).....	52
5.4.8	Oscillator Divider 1 Register (OSCDIV1).....	53
5.4.9	Bypass Divider Register (BPDIV)	54
5.4.10	PLL Controller Command Register (PLLCMD).....	55
5.4.11	PLL Controller Status Register (PLLSTAT).....	55
5.4.12	PLL Controller Clock Align Control Register (ALNCTL).....	56
5.4.13	PLLDIV Ratio Change Status Register (DCHANGE).....	57
5.4.14	Clock Enable Control Register (CKEN)	58
5.4.15	Clock Status Register (CKSTAT)	59
5.4.16	SYSCLK Status Register (SYSTAT).....	60
6	Power and Sleep Controller	61
6.1	Introduction.....	62
6.2	Power Domain and Module Topology	63
6.3	Power Domain and Module States.....	64
6.3.1	Power Domain States.....	64
6.3.2	Module States	64
6.3.3	Local Reset	65
6.4	Executing State Transitions.....	65
6.4.1	Power Domain State Transitions	65
6.4.2	Module State Transitions	65
6.5	IcePick Emulation Support in the PSC	66
6.6	PSC Interrupts	66
6.6.1	Interrupt Events.....	66
6.6.2	Interrupt Registers.....	67
6.6.3	Interrupt Handling	68
6.7	PSC Registers	68
6.7.1	Peripheral Revision and Class Information Register (PID)	69
6.7.2	Interrupt Evaluation Register (INTEVAL).....	69
6.7.3	Module Error Pending Register 1 (MERRPR1)	70
6.7.4	Module Error Clear Register 1 (MERRCR1).....	70
6.7.5	Power Domain Transition Command Register (PTCMD)	71
6.7.6	Power Domain Transition Status Register (PTSTAT)	71
6.7.7	Power Domain Status 0 Register (PDSTAT0).....	72
6.7.8	Power Domain Control 0 Register (PDCTL0)	73
6.7.9	Module Status n Register (MDSTATn)	74
6.7.10	Module Control n Register (MDCTLn).....	75
7	Power Management	77
7.1	Overview.....	78
7.2	PSC and PLLC Overview	78
7.3	Clock Management	79

7.3.1	Module Clock ON/OFF	79
7.3.2	Module Clock Frequency Scaling	79
7.3.3	PLL Bypass and Power Down	79
7.4	DSP Sleep Mode Management	80
7.4.1	DSP Sleep Modes.....	80
7.4.2	DSP Module Clock ON/OFF	80
7.5	3.3 V I/O Power Down	81
7.6	Video DAC Power Down	81
8	Interrupt Controller	83
9	System Module	85
9.1	Overview.....	86
9.2	Device Identification.....	86
9.3	Device Configuration.....	86
9.3.1	Pin Multiplexing Control	86
9.3.2	Device Boot Configuration Status	86
9.4	3.3 V I/O Power-Down Control	87
9.5	Peripheral Status and Control	87
9.5.1	Timer Control	87
9.5.2	VPSS Clock and DAC Control.....	87
9.5.3	DDR2 VTP Control	87
9.5.4	HPI Control.....	87
9.6	Bandwidth Management.....	88
9.6.1	Bus Master DMA Priority Control.....	88
9.6.2	EDMA Transfer Controller Configuration.....	89
9.7	Boot Control.....	89
10	Reset	91
10.1	Overview.....	92
10.2	Reset Pins.....	92
10.3	Device Configurations at Reset	92
10.4	DSP Reset	93
10.4.1	DSP Local Reset	93
10.4.2	DSP Module Reset.....	93
11	Boot Modes	95
A	Revision History	97

List of Figures

1-1	TMS320DM643x DMP Block Diagram	12
2-1	TMS320C64x+ Megamodule Block Diagram	17
2-2	C64x+ Cache Memory Architecture.....	19
4-1	Overall Clocking Diagram	31
4-2	VPBE/DAC Clocking	35
5-1	PLL1 Structure in the TMS320DM643x DMP	39
5-2	PLL2 Structure in the TMS320DM643x DMP	43
5-3	Peripheral ID Register (PID)	49
5-4	Reset Type Status Register (RSTYPE)	49
5-5	PLL Control Register (PLLCTL)	50
5-6	PLL Multiplier Control Register (PLLM)	51
5-7	PLL Controller Divider 1 Register (PLLDIV1).....	51
5-8	PLL Controller Divider 2 Register (PLLDIV2)	52
5-9	PLL Controller Divider 3 Register (PLLDIV3)	52
5-10	Oscillator Divider 1 Register (OSCDIV1).....	53
5-11	Bypass Divider Register (BPDIV)	54
5-12	PLL Controller Command Register (PLLCMD).....	55
5-13	PLL Controller Status Register (PLLSTAT).....	55
5-14	PLL Controller Clock Align Control Register (ALNCTL).....	56
5-15	PLLDIV Ratio Change Status Register (DCHANGE).....	57
5-16	Clock Enable Control Register (CKEN)	58
5-17	Clock Status Register (CKSTAT)	59
5-18	SYSCLK Status Register (SYSTAT).....	60
6-1	Power and Sleep Controller (PSC) Integration	62
6-2	Peripheral Revision and Class Information Register (PID)	69
6-3	Interrupt Evaluation Register (INTEVAL).....	69
6-4	Module Error Pending Register 1 (MERRPR1)	70
6-5	Module Error Clear Register 1 (MERRCR1).....	70
6-6	Power Domain Transition Command Register (PTCMD)	71
6-7	Power Domain Transition Status Register (PTSTAT)	71
6-8	Power Domain Status 0 Register (PDSTAT0).....	72
6-9	Power Domain Control 0 Register (PDCTL0)	73
6-10	Module Status <i>n</i> Register (MDSTAT <i>n</i>)	74
6-11	Module Control <i>n</i> Register (MDCTL <i>n</i>).....	75

List of Tables

4-1	System Clock Modes and Fixed Ratios for Core Clock Domains.....	30
4-2	Example PLL1 Frequencies and Dividers (27 MHZ Clock Input)	32
4-3	Example PLL2 Frequencies (Core Voltage = 1.2V)	33
4-4	Example PLL2 Frequencies (Core Voltage = 1.05V)	33
4-5	Peripheral I/O Domain Clock	34
4-6	Possible Clocking Modes.....	36
5-1	System PLLC1 Output Clocks	39
5-2	DDR PLLC2 Output Clocks	43
5-3	PLL and Reset Controller List	48
5-4	PLL and Reset Controller Registers	48
5-5	Peripheral ID Register (PID) Field Descriptions.....	49
5-6	Reset Type Status Register (RSTYPE) Field Descriptions	49
5-7	PLL Control Register (PLLCTL) Field Descriptions	50
5-8	PLL Multiplier Control Register (PLLM) Field Descriptions	51
5-9	PLL Controller Divider 1 Register (PLLDIV1) Field Descriptions	51
5-10	PLL Controller Divider 2 Register (PLLDIV2) Field Descriptions	52
5-11	PLL Controller Divider 3 Register (PLLDIV3) Field Descriptions	52
5-12	Oscillator Divider 1 Register (OSCDIV1) Field Descriptions	53
5-13	Bypass Divider Register (BPDIV) Field Descriptions	54
5-14	PLL Controller Command Register (PLLCMD) Field Descriptions.....	55
5-15	PLL Controller Status Register (PLLSTAT) Field Descriptions.....	55
5-16	PLL Controller Clock Align Control Register (ALNCTL) Field Descriptions	56
5-17	PLLDIV Ratio Change Status Register (DCHANGE) Field Descriptions	57
5-18	Clock Enable Control Register (CKEN) Field Descriptions	58
5-19	Clock Status Register (CKSTAT) Field Descriptions	59
5-20	SYSCLK Status Register (SYSTAT) Field Descriptions	60
6-1	DM643x DMP Default Module Configuration	63
6-2	Module States	64
6-3	IcePick Emulation Commands.....	66
6-4	PSC Interrupt Events	66
6-5	Power and Sleep Controller (PSC) Registers	68
6-6	Peripheral Revision and Class Information Register (PID) Field Descriptions	69
6-7	Interrupt Evaluation Register (INTEVAL) Field Descriptions	69
6-8	Module Error Pending Register 1 (MERRPR1) Field Descriptions	70
6-9	Module Error Clear Register 1 (MERRCR1) Field Descriptions	70
6-10	Power Domain Transition Command Register (PTCMD) Field Descriptions.....	71
6-11	Power Domain Transition Status Register (PTSTAT) Field Descriptions.....	71
6-12	Power Domain Status 0 Register (PDSTAT0) Field Descriptions	72
6-13	Power Domain Control 0 Register (PDCTL0) Field Descriptions	73
6-14	Module Status <i>n</i> Register (MDSTAT <i>n</i>) Field Descriptions	74
6-15	Module Control <i>n</i> Register (MDCTL <i>n</i>) Field Descriptions.....	75
7-1	Power Management Features	78
9-1	TMS320DM643x DMP Master IDs	88
9-2	TMS320DM643x DMP Default Master Priorities	89
10-1	Reset Types.....	92
A-1	Document Revision History	97

Read This First

About This Manual

This document describes the DSP subsystem in the TMS320DM643x Digital Media Processor (DMP).

Notational Conventions

This document uses the following conventions.

- Hexadecimal numbers are shown with the suffix h. For example, the following number is 40 hexadecimal (decimal 64): 40h.
- Registers in this document are shown in figures and described in tables.
 - Each register figure shows a rectangle divided into fields that represent the fields of the register. Each field is labeled with its bit name, its beginning and ending bit numbers above, and its read/write properties below. A legend explains the notation used for the properties.
 - Reserved bits in a register figure designate a bit that is used for future device expansion.

Related Documentation From Texas Instruments

The following documents describe the TMS320DM643x Digital Media Processor (DMP). Copies of these documents are available on the Internet at www.ti.com. *Tip:* Enter the literature number in the search box provided at www.ti.com.

The current documentation that describes the DM643x DMP, related peripherals, and other technical collateral, is available in the C6000 DSP product folder at: www.ti.com/c6000.

[SPRU983](#) — *TMS320DM643x DMP Peripherals Overview Reference Guide*. Provides an overview and briefly describes the peripherals available on the TMS320DM643x Digital Media Processor (DMP).

[SPRAA84](#) — *TMS320C64x to TMS320C64x+ CPU Migration Guide*. Describes migrating from the Texas Instruments TMS320C64x digital signal processor (DSP) to the TMS320C64x+ DSP. The objective of this document is to indicate differences between the two cores. Functionality in the devices that is identical is not included.

[SPRU732](#) — *TMS320C64x/C64x+ DSP CPU and Instruction Set Reference Guide*. Describes the CPU architecture, pipeline, instruction set, and interrupts for the TMS320C64x and TMS320C64x+ digital signal processors (DSPs) of the TMS320C6000 DSP family. The C64x/C64x+ DSP generation comprises fixed-point devices in the C6000 DSP platform. The C64x+ DSP is an enhancement of the C64x DSP with added functionality and an expanded instruction set.

[SPRU871](#) — *TMS320C64x+ DSP Megamodule Reference Guide*. Describes the TMS320C64x+ digital signal processor (DSP) megamodule. Included is a discussion on the internal direct memory access (IDMA) controller, the interrupt controller, the power-down controller, memory protection, bandwidth management, and the memory and cache.

[SPRU862](#) — *TMS320C64x+ DSP Cache User's Guide*. Explains the fundamentals of memory caches and describes how the two-level cache-based internal memory architecture in the TMS320C64x+ digital signal processor (DSP) of the TMS320C6000 DSP family can be efficiently used in DSP applications. Shows how to maintain coherence with external memory, how to use DMA to reduce memory latencies, and how to optimize your code to improve cache efficiency. The internal memory architecture in the C64x+ DSP is organized in a two-level hierarchy consisting of a dedicated program cache (L1P) and a dedicated data cache (L1D) on the first level. Accesses by the CPU to these first level caches can complete without CPU pipeline stalls. If the data requested by the CPU is not contained in cache, it is fetched from the next lower memory level, L2 or external memory.

TMS320C6000, C6000 are trademarks of Texas Instruments.

Introduction

Topic	Page
1.1 Introduction.....	12
1.2 Block Diagram	12
1.3 DSP Subsystem in TMS320DM643x DMP	13

1.1 Introduction

The TMS320DM643x Digital Media Processor (DMP) contains a powerful DSP to efficiently handle image, video, and audio processing tasks. The DM643x DMP consists of the following primary components and sub-systems:

- DSP Subsystem (DSPSS), including the C64x+ Megamodule and associated memory.
- Video Processing Subsystem (VPSS), including the Video Processing Front End (VPFE) Subsystem, Image Input and Image Processing Subsystem, and the Video Processing Back End (VPBE) Display Subsystem
- A set of I/O peripherals
- A powerful DMA subsystem and DDR2 memory controller interface

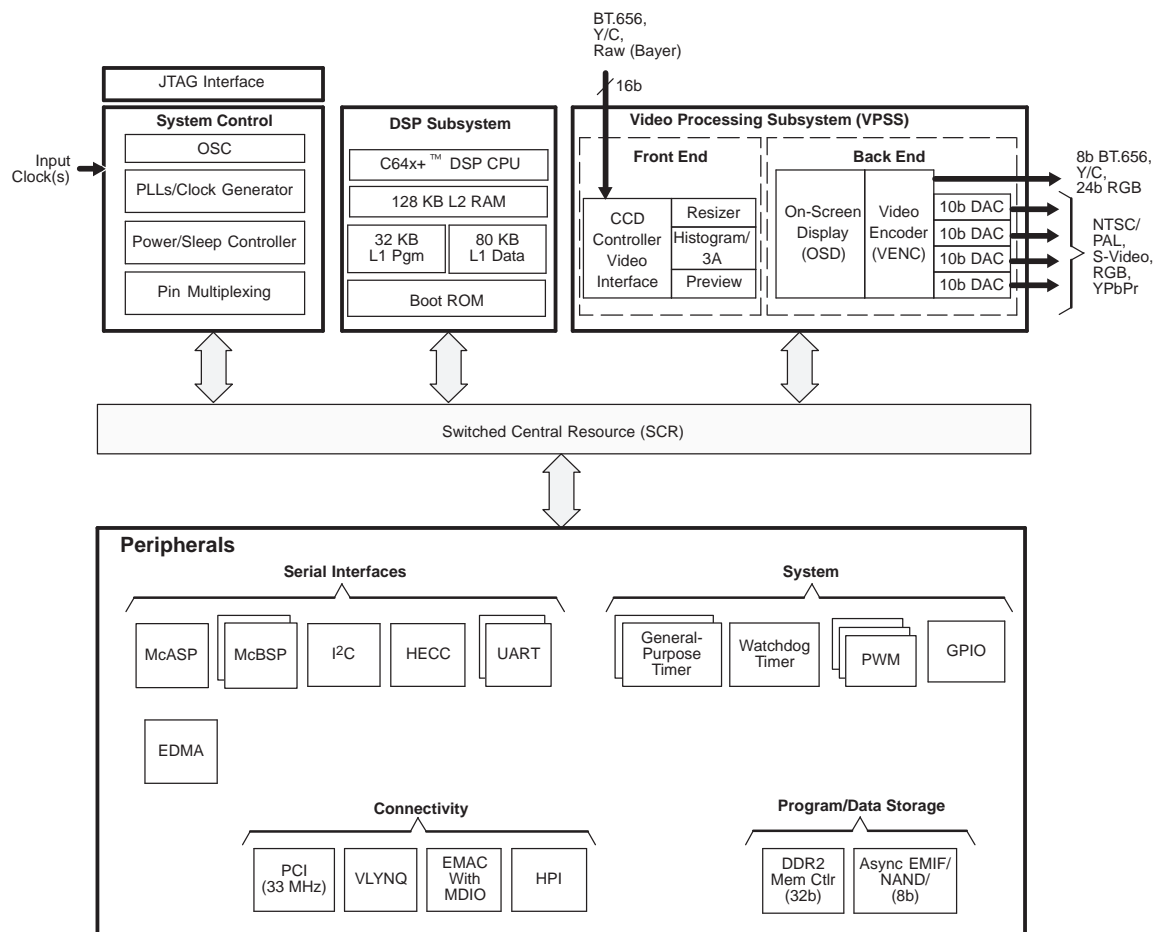
The DSP subsystem includes TI's standard TMS320C64x+ Megamodule and several blocks of internal memory (L1P, L1D, and L2).

For more information, see the *TMS320C64x+ DSP Megamodule Peripherals Reference Guide* ([SPRU871](#)), the *TMS320C64x/C64x+ DSP CPU and Instruction Set Reference Guide* ([SPRU732](#)), and the *TMS320C64x+ DSP Cache User's Guide* ([SPRU862](#)).

1.2 Block Diagram

An example block diagram for the TMS320DM643x DMP is shown in [Figure 1-1](#).

Figure 1-1. TMS320DM643x DMP Block Diagram



1.3 DSP Subsystem in TMS320DM643x DMP

In the DM643x DMP, the DSP subsystem is responsible for performing digital signal processing for digital media applications. In addition, the DSP subsystem acts as the overall system controller, responsible for handling many system functions such as system-level initialization, configuration, user interface, user command execution, connectivity functions, and overall system control.

1.3.1 Components of the DSP Subsystem

The DSP subsystem in the DM643x DMP consists of the following components:

- C64x+ Megamodule
- DSP Internal Memories
 - Level-1 program memory (L1P)
 - Level-1 data memory (L1D)
 - Level-2 unified memory (L2)

The DSP also manages/controls all peripherals on the device. Refer to device-specific data manual for the full list of peripherals.

[Figure 1-1](#) shows the functional block diagram of the DM643x DMP and how the DSP subsystem is connected to the rest of the device. The DM643x DMP architecture uses the System Infrastructure (Switched Central Resource) to transfer data within the system.

[Chapter 2](#) discusses the C64x+ Megamodule in more details, including its detailed block diagram.

TMS320C64x+ Megamodule

Topic	Page
2.1 Introduction.....	16
2.2 TMS320C64x+ CPU.....	16
2.3 Memory Controllers.....	18
2.4 Internal Peripherals	22

2.1 Introduction

The C64x+ Megamodule (Figure 2-1) consists of the following components:

- TMS320C64x+ CPU
- Internal memory controllers:
 - Level-1 program memory controller (L1P controller)
 - Level-1 data memory controller (L1D controller)
 - Level-2 unified memory controller (L2 controller)
 - External memory controller (EMC)
 - Internal direct memory access (IDMA) controller
- Internal peripherals
 - Interrupt controller (INTC)
 - Power-down controller (PDC)

2.2 TMS320C64x+ CPU

The C64x+ Megamodule includes the C64x+ CPU. The C64x+ CPU is a member of the TMS320C6000™ generation of devices. The C6000™ devices execute up to eight 32-bit instructions per cycle. The CPU consists of 64 general-purpose 32-bit registers and eight functional units. The eight functional units contain two multipliers and six ALUs. For more information on the CPU, see the *TMS320C64x/C64x+ DSP CPU and Instruction Set Reference Guide* ([SPRU732](#)).

Features of the C6000 devices include:

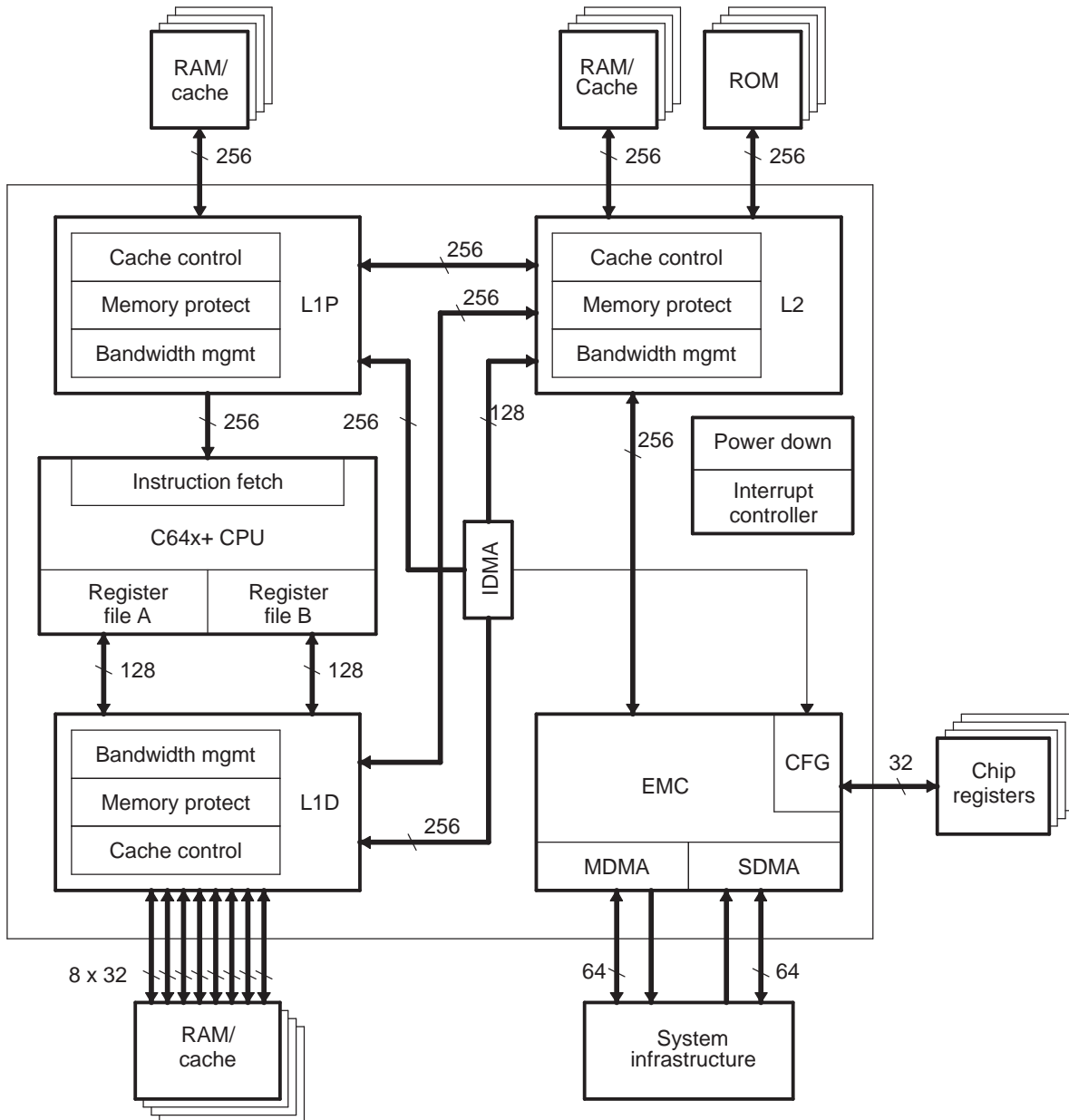
- Advanced VLIW CPU with eight functional units, including two multipliers and six arithmetic units
 - Executes up to eight instructions per cycle for up to ten times the performance of typical DSPs
 - Allows designers to develop highly effective RISC-like code for rapid development time
- Instruction packing
 - Gives code-size equivalence for eight instructions that execute serially or in parallel
 - Reduces code size, program fetches, and power consumption
- Conditional execution of most instructions
 - Reduces costly branching
 - Increases parallelism for higher sustained performance
- Efficient code execution on independent functional units
 - Industry's most efficient C compiler on DSP benchmark suite
 - Industry's first assembly optimizer for rapid development and improved parallelization
- 8/16/32-bit data support, providing efficient memory support for a variety of applications
- 40-bit arithmetic options add extra precision for vocoders and other computationally intensive applications
- Saturation and normalization provide support for key arithmetic operations
- Field manipulation and instruction extract, set, clear, and bit counting support a common operation found in control and data manipulation applications

The C64x+ devices include the following additional features:

- Each multiplier can perform two 16×16 -bit or four 8×8 -bit multiplies every clock cycle
- Quad 8-bit and dual 16-bit instruction set extensions with data flow support
- Support for nonaligned 32-bit (word) and 64-bit (double word) memory accesses
- Special communication-specific instructions to address common operations in error-correcting codes
- Bit count and rotate hardware extends support for bit-level algorithms
- Compact instructions: common instructions (AND, ADD, LD, MPY) have 16-bit versions to reduce code size

- Protected mode operation: a two-level system of privileged program execution to support higher capability operating systems and system features, such as memory protection
- Exceptions support for error detection and program redirection to provide robust code execution
- Hardware support for modulo loop operation to reduce code size
- Industry's first assembly optimizer for rapid development and improved parallelization

Figure 2-1. TMS320C64x+ Megamodule Block Diagram



2.3 Memory Controllers

The C64x+ Megamodule implements a two-level internal cache-based memory architecture with external memory support. Level 1 memory is split into separate program memory (L1P memory) and data memory (L1D memory). [Figure 2-2](#) shows a diagram of the memory architecture. L1P and L1D are configurable as part L1 RAM (normal addressable on-chip memory) and part L1 cache. L1 memory is accessible to the CPU without stalls. Level 2 memory (L2) can also be split into L2 RAM (normal addressable on-chip memory) and L2 cache for caching external memory locations.

The following controllers manage RAM/cache configuration and cache data paths:

- L1P controller
- L1D controller
- L2 controller
- External memory controller (EMC)

The internal direct memory access (IDMA) controller manages DMA among the L1P, L1D, and L2 memories.

This section briefly describes the cache and DMA controllers. For detailed information about each of these controllers, see the *TMS320C64x+ DSP Cache User's Guide* ([SPRU862](#)) and the *TMS320C64x+ DSP Megamodule Reference Guide* ([SPRU871](#)).

Note: The C64x+ Megamodule includes the memory controllers; however, the physical L1P, L1D, and L2 memories are not part of the megamodule, even though they reside in the DSP subsystem. Thus, the physical memories are described separately because the C64x+ Megamodule supports a variety of memory configurations. Refer to [Section 3.1](#) for more information on the L1P, L1D, and L2 memory configuration specific to the DM643x DMP.

2.3.1 L1P Controller

The L1P controller is the hardware interface between level 1 program memory (L1P memory) and the other components in the C64x+ Megamodule (for example, C64x+ CPU, L2 controller, and EMC). The L1P controller responds to instruction fetch requests from the C64x+ CPU and manages transfer operations between L1P memory and the L2 controller and between L1P memory and the EMC.

Refer to the device-specific data manual for the amount of L1P memory on the device. The L1P controller has a register interface that allows you to configure part or all of the L1P RAM as normal RAM or as cache. You can configure cache sizes of 0 KB, 4 KB, 8 KB, 16 KB, or 32 KB of the RAM.

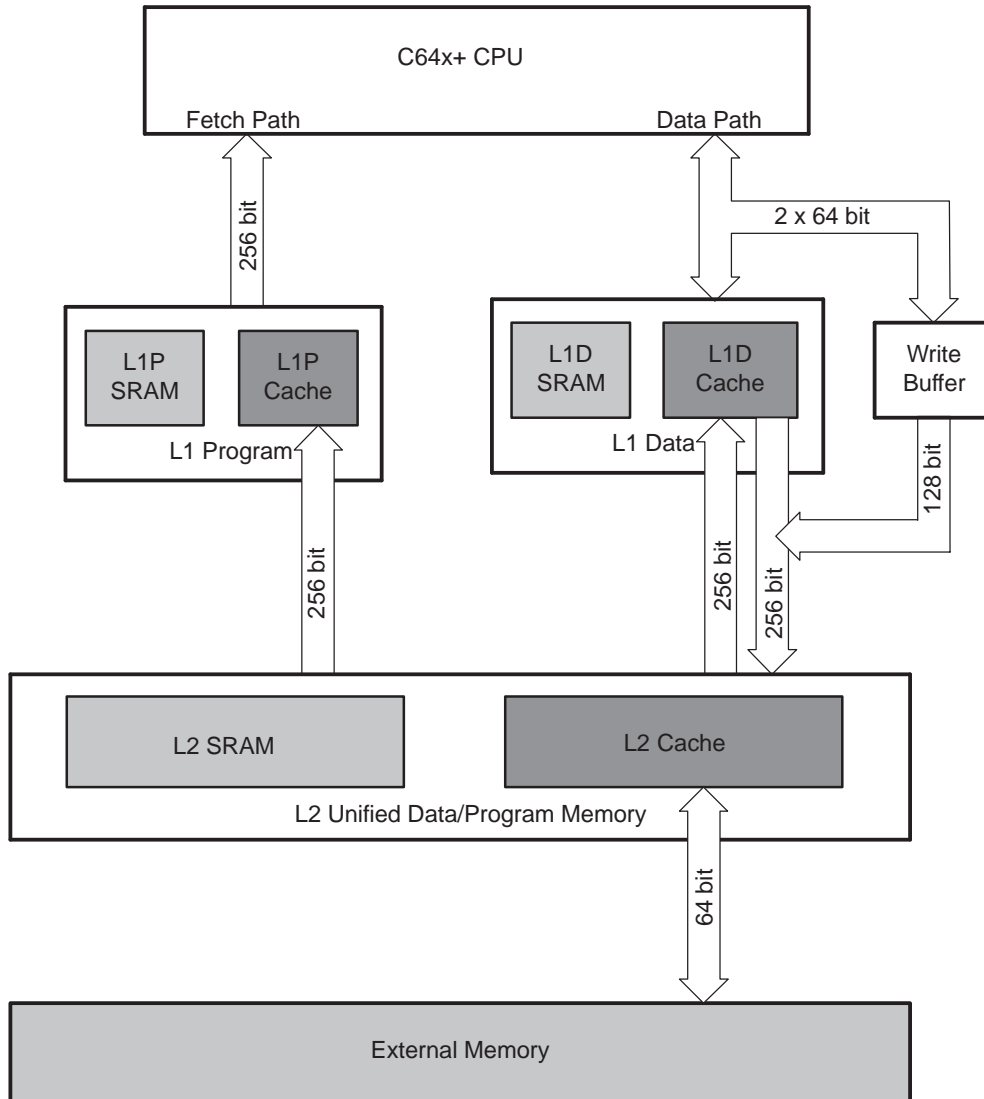
The L1P is divided into two regions—denoted L1P region 0 and L1P region 1. This is the L1P architecture on the DM643x DMP:

- L1P region 0: Not populated with memory.
- L1P region 1: Populated with memory that can be configured as mapped memory or cache. The L1P region 1 memory has 0 wait state. This region is shown as “L1P RAM/Cache” in the device-specific data manual.



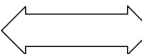
The DM643x DMP does not support the L1P memory protection feature of the standard C64x+ Megamodule.

Refer to the *TMS320C64x+ DSP Cache User's Guide* ([SPRU862](#)) and to the L1P controller section of the *TMS320C64x+ DSP Megamodule Reference Guide* ([SPRU871](#)) for more information on the L1P controller and for a description of its control registers.

Figure 2-2. C64x+ Cache Memory Architecture



Legend:

-  addressable memory
-  cache memory
-  data paths managed by cache controller

2.3.2 L1D Controller

The L1D controller is the hardware interface between level 1 data memory (L1D memory) and the other components in the C64x+ Megamodule (for example, C64x+ CPU, L2 controller, and EMC). The L1D controller responds to data requests from the C64x+ CPU and manages transfer operations between L1D memory and the L2 controller and between L1D memory and the EMC.

Refer to the device-specific data manual for the amount of L1D memory on the device. The L1D controller has a register interface that allows you to configure part of the L1D RAM as normal data RAM or as cache. You can configure cache sizes of 0 KB, 4 KB, 8 KB, 16 KB, or 32 KB of the RAM.

The L1D is divided into two regions—denoted L1D region 0 and L1D region 1. This is the L1D architecture on the DM643x DMP:

- L1D region 0: On some DM643x devices, this region is populated with mapped memory. If it is populated with memory, this region is shown as “L1D RAM” in the device-specific data manual.
- L1D region 1: Populated with memory that can be configured as mapped memory or cache. This region is shown as “L1D RAM/Cache” in the device-specific data manual.

The DM643x DMP does not support the L1D memory protection features of the standard C64x+ Megamodule.

Refer to the *TMS320C64x+ DSP Cache User's Guide* ([SPRU862](#)) and to the L1D controller section of the *TMS320C64x+ DSP Megamodule Reference Guide* ([SPRU871](#)) for more information on the L1D controller and for a description of its control registers.

2.3.3 L2 Controller

The L2 controller is the hardware interface between level 2 memory (L2 memory) and the other components in the C64x+ Megamodule (for example, L1P controller, L1D controller, and EMC). The L2 controller manages transfer operations between L2 memory and the other memory controllers (L1P controller, L1D controller, and EMC).

Refer to device-specific data manual for the amount of L2 memory on the device. The L2 controller has a register interface that allows you to configure part or all of the L2 RAM as normal RAM or as cache. You can configure cache sizes of 0 KB, 32 KB, 64 KB, or 128 KB of the RAM.

The L2 memory implements two separate memory ports. This is the L2 architecture on the DM643x DMP:

- Port 0
 - Shown as “L2 RAM/Cache” in the device-specific data manual.
 - Banking scheme: 2 × 128-bit banks
 - Latency: 1 cycle (0 wait state)
- Port 1
 - Shown as “Boot ROM” in the device-specific data manual.
 - Banking scheme: 1 × 256-bit bank
 - Latency: 1 cycle (0 wait state)

The DM643x DMP does not support the L2 memory protection feature of the standard C64x+ Megamodule.

Refer to the *TMS320C64x+ DSP Cache User's Guide* ([SPRU862](#)) and to the L2 controller section of the *TMS320C64x+ DSP Megamodule Reference Guide* ([SPRU871](#)) for more information on the L2 controller and for a description of its control registers.

2.3.4 External Memory Controller (EMC)

The external memory controller (EMC) is the hardware interface between the external memory map (external memory and external registers) and the other controllers in the C64x+ Megamodule (for example, L1P controller, L1D controller, and L2 controller). The EMC manages transfer operations between external memory and registers and the other memory controllers (L1P controller, L1D controller, and EMC).

EMC does not support the memory protection feature of the standard C64x+ Megamodule.

Refer to the *TMS320C64x+ DSP Cache User's Guide* ([SPRU862](#)) and to the *TMS320C64x+ DSP Megamodule Reference Guide* ([SPRU871](#)) for more information on the EMC and for a description of its control registers.

2.3.5 Internal DMA (IDMA)

The internal DMA (IDMA) controller facilitates DMA transfers between any two internal memory-mapped locations. Internal memory-mapped locations include L1P, L1D, L2, and internal peripheral configuration registers.

Note: The IDMA cannot facilitate DMA to or from external memory-mapped locations. The EDMA facilitates external DMA transfers. Refer to [Section 3.1](#) and to the *TMS320DM643x DMP Enhanced Direct Memory Access (EDMA) Controller User's Guide* ([SPRU987](#)) for information on EDMA.

The IDMA controller enables the rapid paging of data sections to any local memory-mapped RAM. A key advantage of the IDMA is that it allows paging between slower L2 and faster L1D data memory. These transfers take place without CPU intervention and without cache stalls.

Another key advantage is that you can use the IDMA controller to program internal peripheral configuration registers without CPU intervention.

Refer to the internal DMA (IDMA) controller section in the *TMS320C64x+ DSP Megamodule Reference Guide* ([SPRU871](#)) for more information on the IDMA controller and for a description of its control registers.

2.4 Internal Peripherals

This C64x+ Megamodule includes the following internal peripherals:

- Interrupt controller (INTC)
- Power-down controller (PDC)

This section briefly describes the INTC and PDC. For more information on these peripherals, see the *TMS320C64x+ DSP Megamodule Reference Guide* ([SPRU871](#)).

2.4.1 Interrupt Controller (INTC)

The C64x+ Megamodule includes an interrupt controller (INTC) to manage CPU interrupts. The INTC maps the 0 to 127 DSP device events to 12 CPU interrupts. Refer to device-specific data manual for a list of all the DSP device events. The interrupt controller section of the *TMS320C64x+ DSP Megamodule Reference Guide* ([SPRU871](#)) fully describes the INTC and how it maps the DSP device events to the 12 CPU interrupts.

2.4.2 Power-Down Controller (PDC)

The C64x+ Megamodule includes a power-down controller (PDC). The PDC can power-down all of the following components of the C64x+ Megamodule:

- C64x+ CPU
- L1P controller
- L1D controller
- L2 controller
- Extended memory controller (EMC)
- Internal direct memory access (IDMA) controller

The DM643x DMP does not support power-down of the internal memories of the DSP subsystem.

The C64x+ Megamodule is capable of providing both dynamic and static power-down; however, only static power-down is supported on the DM643x DMP. The *TMS320C64x+ DSP Megamodule Reference Guide* ([SPRU871](#)) describes the power-down control in more detail.

- Static power-down: The PDC initiates power down of the entire C64x+ Megamodule and all internal memories immediately upon command from software.

On the DM643x DMP, static power-down affects all components of the C64x+ Megamodule. The DM643x DMP does not support power-down of the internal memories. Software can initiate static power-down via a register bit in the PDC register. For more information on the PDC, see the *TMS320C64x+ DSP Megamodule Reference Guide* ([SPRU871](#)).

Note: The DM643x DMP does not support dynamic power-down.

2.4.3 Bandwidth Manager

The bandwidth manager provides a programmable interface for optimizing bandwidth among the requesters for resources, which include the following:

- EDMA-initiated DMA transfers (and resulting coherency operations)
- IDMA-initiated transfers (and resulting coherency operations)
- Programmable cache coherency operations
 - Block based coherency operations
 - Global coherency operations
- CPU direct-initiated transfers
 - Data access (load/store)
 - Program access

The resources include the following:

- L1P memory
- L1D memory
- L2 memory
- Resources outside of C64x+ Megamodule: external memory, on-chip peripherals, registers

Since any given requestor could potentially block a resource for extended periods of time, the bandwidth manager is implemented to assure fairness for all requesters.

The bandwidth manager implements a weighted-priority-driven bandwidth allocation. Each requestor (EDMA, IDMA, CPU, etc.) is assigned a priority level on a per-transfer basis. The programmable priority level has a single meaning throughout the system. There are a total of nine priority levels, where priority zero is the highest priority and priority eight is the lowest priority. When requests for a single resource contend, access is granted to the highest-priority requestor. When the contention occurs for multiple successive cycles, a contention counter assures that the lower-priority requestor gets access to the resource every 1 out of n arbitration cycles, where n is programmable. A priority level of -1 represents a transfer whose priority has been increased due to expiration of the contention counter or a transfer that is fixed as the highest-priority transfer to a given resource.

System Memory

Topic	Page
3.1 Memory Map.....	26
3.2 Memory Interfaces Overview	27

3.1 Memory Map

Refer to your device-specific data manual for memory-map information.

3.1.1 DSP Internal Memory (L1P, L1D, L2)

This section describes the configuration of the DSP internal memory in the DM643x DMP that consists of L1P, L1D, and L2. In the DM643x DMP:

- L1P memory: The L1P controller allows you to configure part or all of the L1P RAM as normal program RAM or as direct mapped cache. You can configure cache sizes of 0 KB, 4 KB, 8 KB, 16 KB, or 32 KB of the RAM.
- L1D memory: The L1D controller allows you to configure part of the L1D RAM as normal data RAM or as cache. You can configure cache sizes of 0 KB, 4 KB, 8 KB, 16 KB, or 32 KB of the RAM.
- L2 memory: The L2 controller allows you to configure part or all of the L2 RAM as normal RAM or as cache. You can configure cache sizes of 0 KB, 32 KB, 64 KB, or 128 KB of the RAM.

Refer to device-specific data manual for the exact amount of RAM/cache. Refer to *TMS320C64x+ DSP Megamodule Reference Guide* ([SPRU871](#)) for information on how to configure the cache.

3.1.2 External Memory

The DSP has access to the following external memories:

- DDR2 synchronous DRAM
- Asynchronous EMIF/NOR/NAND Flash

The external memory controller (EMC) facilitates DSP access to these memories in the C64x+ Megamodule. The following external memories are accessible to the DSP:

- DDR2 port
- Asynchronous EMIF (for example, NOR and NAND Flash in 4 EM_CS regions)

For the memory-map locations of these external memories, refer to the memory-map section of the device-specific data manual.

3.1.3 Internal Peripherals

The following internal peripherals are accessible to the DSP:

- Power-down controller (PDC)
- Interrupt controller (INTC)

For more information on the internal peripherals, see the *TMS320C64x+ DSP Megamodule Reference Guide* ([SPRU871](#)).

3.1.4 Device Peripherals

The DSP has access to all peripherals on the device. Refer to device-specific data manual for the full list of peripherals.

3.2 Memory Interfaces Overview

This section describes the different memory interfaces of DM643x DMP. The DM643x DMP supports several memory and external device interfaces, including the following:

- DDR2 synchronous DRAM
- Asynchronous EMIF/NOR/NAND Flash

3.2.1 DDR2 External Memory Interface

The DDR2 external memory interface (EMIF) port is a dedicated interface to DDR2 SDRAM. It supports JESD79D-2A standard compliant DDR2 SDRAM devices and can support either 16-bit or 32-bit interfaces.

DDR2 SDRAM plays a key role in a DM643x DMP-based system. Such a system is expected to require a significant amount of high-speed external memory for the following:

- Buffering input image data from sensors or video sources
- Intermediate buffering for processing/resizing of image data in the video processing front end (VPFE)
- Video processing back end (VPBE) display buffers
- Intermediate buffering for large raw Bayer data image files while performing still camera processing functions
- Buffering for intermediate data while performing video encode and decode functions
- Storage of executable firmware for DSP

3.2.2 External Memory Interface

The DM643x DMP external memory interface (EMIF) provides an 8-bit data bus, an address bus width of up to 24-bits, and 4 dedicated chip selects, along with memory control signals. These signals are statically multiplexed between the asynchronous EMIF (EMIFA) module that provides asynchronous EMIF and NAND interfaces.

The EMIFA signals are multiplexed with other peripheral signals on the device. Refer to device-specific data manual for details on pin multiplexing.

3.2.2.1 Asynchronous EMIF Interface

The asynchronous EMIF (EMIFA) interface provides both the asynchronous EMIF and NAND interfaces. Four chip selects are provided. Each is individually configurable to provide either asynchronous EMIF or NAND support.

- The asynchronous EMIF mode supports asynchronous devices (RAM, ROM, and NOR Flash)
- 64MB asynchronous address range over 4 chip selects (16MB each)
- Supports 8-bit data bus width
- Programmable asynchronous cycle timings
- Supports extended waits
- Supports Select Strobe mode
- Supports TI DSP HPI interface
- Supports booting DM643x DMP from CS2 (SRAM/NOR Flash)

3.2.2.2 NAND Interface

The asynchronous EMIF (EMIFA) interface provides both the asynchronous EMIF and NAND interfaces. Four chip selects are provided and each is individually configurable to provide either EMIFA or NAND support.

- The NAND mode supports NAND Flash on up to 4 asynchronous chip selects
- Supports 8-bit data bus width
- Programmable cycle timings
- Performs ECC calculation
- Bootloader code in Boot ROM supports booting of the DM643x DMP from NAND-Flash located at CS2

Device Clocking

Topic	Page
4.1 Overview.....	30
4.2 Clock Domains	30

4.1 Overview

The DM643x DMP requires one primary reference clock. The primary reference clock can be either crystal input or driven by external oscillators. A 27 MHz crystal at the MXI/CLKIN pin is recommended for the system PLLs, which generate the clocks for the DSP, peripherals, DMA, and imaging peripherals. The recommended 27 MHz input enables you to use the video DACs to drive NTSC/PAL television signals at the proper frequencies.

For detailed specifications on clock frequency and voltage requirements, see the device-specific data manual.

There are two clocking modes:

- PLL Bypass Mode - power saving (device defaults to this mode)
- PLL Mode - PLL multiplies input clock up to the desired operating frequency

The clock of the major chip subsystems must be programmed to operate at fixed ratios of the primary system/DSP clock frequency within each mode, as shown in [Table 4-1](#). The DM643x DMP clocking architecture is shown in [Figure 4-1](#).

Table 4-1. System Clock Modes and Fixed Ratios for Core Clock Domains

Subsystem	Core Clock Domain	Fixed Ratio vs. DSP frequency
DSP	CLKDIV1	1:1
EDMA VPSS	CLKDIV3	1:3
Peripherals (CLKDIV3 domain)	CLKDIV3	1:3
Peripherals (CLKDIV6 domain)	CLKDIV6	1:6

4.2 Clock Domains

4.2.1 Core Domains

The core domains refer to the clock domains for all of the internal processing elements of the DM643x DMP, such as the DSP/EDMA/peripherals, etc. All internal communications between DSP and modules operate at core domain clock frequencies. All of the core clock domains are synchronous to each other, come from a single PLL (PLL1), have aligned clock edges, and have fixed divide by ratio requirements, as shown in [Table 4-1](#) and [Figure 4-1](#). It is user's responsibility to ensure the fixed divide ratios between these core clock domains are achieved.

The DSP is in the CLKDIV1 domain and receives the PLL1 frequency directly (PLLDIV1 of PLL controller 1 (PLL1) set to divide by 1), or receives the divided-down PLL1 frequency (PLLDIV1 of PLL1 set to divide by 2, 3, etc.). The DSP has internal clock dividers that it uses to create the DSP ÷ 3 clock frequency to communicate with other components on-chip.

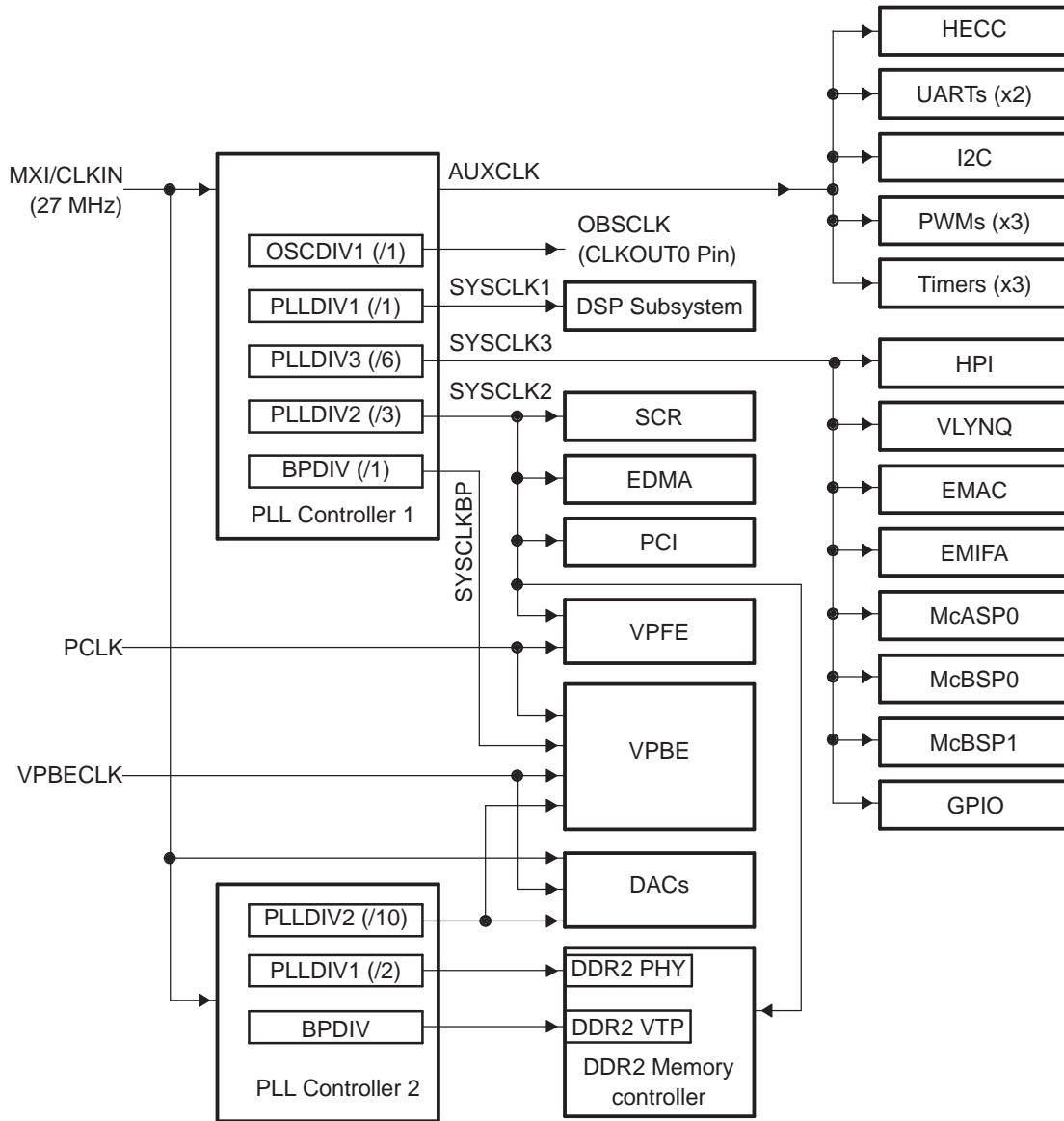
Modules in the CLKDIV3 domain (for example, EDMA, VPSS, CLKDIV3 domain peripherals) must run at 1/3 the DSP frequency.

Modules in the CLKDIV6 domain (for example, CLKDIV6 domain peripherals) must run at 1/6 the DSP frequency.

Modules in the CLKIN domain (for example, UART, Timer, I2C, PWM, HECC) run at the MXI/CLKIN frequency, asynchronous to the DSP. There is no fixed ratio requirement between these peripherals frequencies and the DSP frequency.

Refer to device-specific data manual for the core clock domain for each peripheral.

Figure 4-1. Overall Clocking Diagram



4.2.2 Core Frequency Flexibility

The core frequency domain clocks are supplied by the PLL controller 1 (PLL1). These domain clocks are flexible, to a degree, within the limitations specified in the device-specific data manual. All of the following frequency ranges and multiplier/divider ratios in the data manual must be adhered to:

- Input clock frequency range (MXI/CLKIN)
- PLL1 multiplier (PLLM) range
- PLL1 output (PLLOUT) frequency range based on the core voltage (1.05V or 1.2V) of the device
- Maximum device speed
- PLL1's SYSCLK3:SYSCLK2:SYSCLK1 frequency ratio must be fixed to 1:3:6. For example, if SYSCLK1 is at 600 MHz, SYSCLK2 must be at 200 MHz, and SYSCLK3 must be at 100 MHz.

As specified in the data manual, the PLLs can be driven by any input ranging from 20 to 30 MHz. However, a 27 MHz input is required if the video processing back end (VPBE) subsystem is needed to drive television displays with the integrated video DACs.

Table 4-2 shows some example PLL1 multiplier and divider settings assuming MXI/CLKIN frequency of 27 MHz. The Applicable to Device Core Voltage column indicates whether the setting is allowed for a given device core voltage. For example, the last row in Table 4-2 (PLL1 multiplier 22 for a 27 MHz clock input) only applies to devices with a core voltage 1.2V to meet the PLL1 output (PLLOUT) frequency range required in the data manual. In addition, you must ensure the SYSCLK1 frequency does not exceed the speed grade of the device. For example, for a device rated at 400 MHz speed grade, SYSCLK1 must not exceed 400 MHz.

Table 4-2. Example PLL1 Frequencies and Dividers (27 MHz Clock Input)

PLL1 Multiplier	PLL1 PLLOUT Freq (MHZ)	CLKDIV1 Domain (SYSCLK1)		CLKDIV3 Domain (SYSCLK2)		CLKDIV6 Domain (SYSCLK3)		Applicable to Device Core Voltage	
		Divider ⁽¹⁾	Freq (MHZ)	Divider ⁽¹⁾	Freq (MHZ)	Divider ⁽¹⁾	Freq (MHZ)	1.2V	1.05V
15	405.0	1	405.0	3	135.0	6	67.5	Y	Y
16	432.0	1	432.0	3	144.0	6	72.0	Y	Y
17	459.0	1	459.0	3	153.0	6	76.5	Y	Y
18	486.0	1	486.0	3	162.0	6	81.0	Y	Y
19	513.0	1	513.0	3	171.0	6	85.5	Y	Y
20	540.0	1	540.0	3	180.0	6	90.0	Y	-
21	567.0	1	567.0	3	189.0	6	94.5	Y	-
22	594.0	1	594.0	3	198.0	6	99.0	Y	-
22	594.0	2	297.0	6	99.0	12	49.5	Y	-

⁽¹⁾ The RATIO bit in PLLDIV n is programmed as Divider - 1. For example, for a SYSCLK1 divider of 1, you should program PLLDIV1.RATIO = 0, PLLDIV2.RATIO = 2, PLLDIV3.RATIO = 5.

4.2.3 DDR2/EMIF Clock

The DDR2 interface has a dedicated clock driven from PLL2. This is a separate clock system from the PLL1 clocks provided to other components of the system. This dedicated clock allows the reduction of the core clock rates to save power while maintaining the required minimum clock rate (125 MHz) for DDR2. PLL2 must be configured to output a 2× clock to the DDR2 PHY interface.

The DM643x DMP video DACs are capable of driving high quality progressive television displays, if driven by a 54 MHz input clock sourced by PLL2 (see the *TMS320DM643x DMP Video Processing Back End (VPBE) User's Guide (SPRU952)* for more detailed information). This will limit the possible PLL2 settings to a multiple of 54 MHz so that the VPBE clock can be derived with a simple integer clock divider.

All of the following frequency ranges and multiplier/divider ratios in the device-specific data manual must be adhered to when configuring PLL2:

- Input clock frequency range (MXI/CLKIN)
- PLL2 multiplier (PLLM) range
- PLL2 output (PLLOUT) frequency range based on core voltage (1.05V or 1.2V) of the device

Table 4-3 and Table 4-4 show some PLL2/DDR2 clock rates assuming a MXI/CLKIN frequency of 27 MHz. These tables also indicate settings that are multiples of 54 MHz.

Table 4-3. Example PLL2 Frequencies (Core Voltage = 1.2V)

PLL2 Multiplier	PLL2 PLLOUT Freq (MHZ)	SYSCLK1 Divider ⁽¹⁾	PHY [2× clock] (MHZ)	DDR2 Clock (MHZ)	54 MHz Multiple
28	756.0	3	252.0	126.0	Yes
19	513.0	2	256.5	128.3	No
29	783.0	3	261.0	130.5	No
20	540.0	2	270.0	135.0	Yes
31	837.0	3	279.0	139.5	No
21	567.0	2	283.5	141.8	No
32	864.0	3	288.0	144.0	Yes
22	594.0	2	297.0	148.5	Yes
23	621.0	2	310.5	155.3	No
24	648.0	2	324.0	162.0	Yes
25	675.0	2	337.5	168.8	No

⁽¹⁾ The RATIO bit in PLLDIVn is programmed as Divider - 1. For example, for SYSCLK1 divider of 3, you should program PLLDIV1.RATIO = 2.

Table 4-4. Example PLL2 Frequencies (Core Voltage = 1.05V)

PLL2 Multiplier	PLL2 PLLOUT Freq (MHZ)	SYSCLK1 Divider ⁽¹⁾	PHY [2× clock] (MHZ)	DDR2 Clock (MHZ)	54 MHz Multiple
19	513.0	2	256.5	128.3	No
20	540.0	2	270.0	135.0	Yes
21	567.0	2	283.5	141.8	No
22	594.0	2	297.0	148.5	Yes
23	621.0	2	310.5	155.3	No
24	648.0	2	324.0	162.0	Yes

⁽¹⁾ The RATIO bit in PLLDIVn is programmed as Divider - 1. For example, for SYSCLK1 divider of 3, you should program PLLDIV1.RATIO = 2.

4.2.4 I/O Domains

The I/O domains refer to the frequencies of the peripherals that communicate through device pins. In many cases, there are frequency requirements for a peripheral pin interface that are set by an outside standard and must be met. It is not necessarily possible to obtain these frequencies from the on-chip clock generation circuitry, so the frequencies must be obtained from external sources and are asynchronous to the core frequency domain by definition.

Table 4-5 lists peripherals with external I/O interface, and their I/O domain clock/frequency. It also shows the core clock domain as a reference to show the core clock used for internal communications. See section Section 4.2.1 for more details on core clock domains. See device-specific data manual for the exact I/O clock frequency supported on the device.

Table 4-5. Peripheral I/O Domain Clock

Peripheral	I/O Domain Clock Frequency	I/O (External) Domain Clock Source Options		Core Clock Domain
		Internal Clock Source	External Clock Source	
DDR2	125-166 MHz	PLL2 SYSCLK1	—	CLKDIV3
VPFE	10-98 MHz	—	PCLK	CLKDIV3
VPBE	6.25-75 MHz	PLL1 SYSCLKBP (typically 27 MHz)	VPBECLK	CLKDIV3
		PLL2 SYSCLK2 (typically 54 MHz)	PCLK	
PCI	33 MHz	—	PCICLK	CLKDIV3
EMAC	25 MHz	—	MTXCLK, MRXCLK	CLKDIV6
VLYNQ	up to 80 MHz	PLL1 SYSCLK3	VLYNQ_CLOCK	CLKDIV6
McBSP	up to 40 MHz	PLL1 SYSCLK3	CLKS, CLKX, CLKR	CLKDIV6
McASP	up to 40 MHz	PLL1 SYSCLK3	AHCLKX, AHCLKR, ACLKX, ACLKR	CLKDIV6
GPIO	NA (asynchronous interface)	—	—	CLKDIV6
EMIFA	NA (asynchronous interface)	—	—	CLKDIV6
HPI	NA (asynchronous interface)	—	—	CLKDIV6
I2C	up to 400 kHz	MXI/CLKIN (typically 27 MHz)	SCL	CLKIN
Timer	output up to 1/2 CLKIN frequency input up to 1/4 CLKIN frequency	MXI/CLKIN (typically 27 MHz)	TINP0L (Timer 0), TINP1L (Timer 1)	CLKIN
Watchdog Timer	NA	MXI/CLKIN (typically 27 MHz)	—	CLKIN
PWM	NA	—	—	CLKIN
UART	NA	—	—	CLKIN
HECC	NA	—	—	CLKIN

4.2.5 Video Processing Back End

The video processing back end (VPBE) is a submodule of the video processing subsystem (VPSS). The VPBE must interface with a variety of LCDs, as well as the 4-channel DAC module. There are many different types of LCDs, which require many different specific frequencies. The range of frequencies that the pin interface needs to run is 6.25 MHz to 75 MHz.

There are two asynchronous clock domains in the VPBE: the external clock domain (6.25 MHz to 75 MHz) and the internal (system) clock domain, which is at the $DSP \div 3$ clock rate.

The external clock domain can get its clock from 4 sources:

- PLLC1 SYSCLKBP (typically 27 MHz, MXI/CLKIN divide by 1)
- The VPBECLK input pin
- The VPFE pixel clock input (PCLK)
- PLLC2 SYSCLK2 (a divide down from PLL2)

The 4 DACs are hooked up to the VENC module that is in the VPBE. The data flow between the VPBE and DACs is synchronous. The various possible clocking modes are shown in [Figure 4-2](#) and described in [Table 4-6](#).

The DACs can have their clocks independently gated off when the DACs are not being used. This is described in [Chapter 7](#).

Figure 4-2. VPBE/DAC Clocking

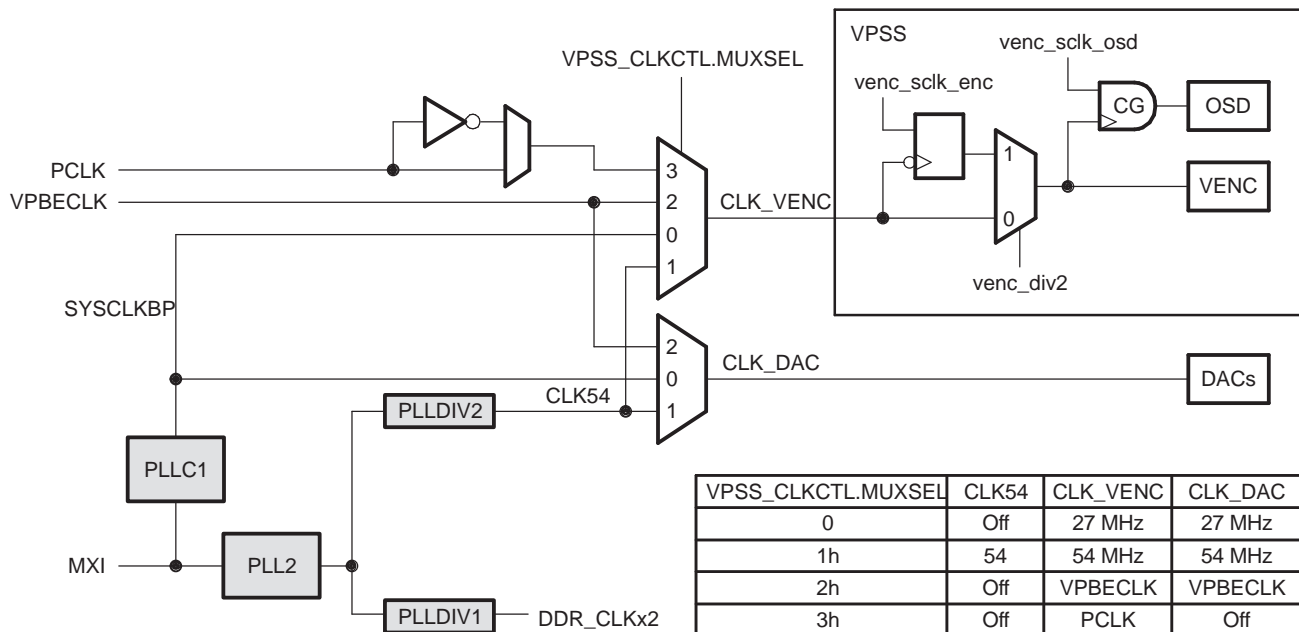


Table 4-6. Possible Clocking Modes

VPSS_CLKCTL.MUXSEL Bit	Clocking Mode	Description
0	MXI mode	Both the VENC and the DAC get their clock from PLLC1 SYSCCLKBP, which defaults to the MXI 27 MHz crystal input divide by 1.
1h	PLL2 mode	The PLL2 (divided-down) generates a 54 MHz clock. Both the DAC and the VENC receive the 54 MHz. The VENC can optionally divide it by 2 to create a 27 MHz clock. Note this mode requires the DDR2 clock setting (from PLL2) to be an even multiple of 27 MHz so that an integer divisor can be used to create the 54 MHz DAC clock. Thus, this mode limits the available DDR2 clock frequencies.
2h	VPBECLK mode	Both the DAC and the VENC receive the VPBECLK. The VENC has the option of dividing it by 2 for progressive scan support driving in 54 MHz on VPBECLK.
3h	PCLK mode	The VENC receives the PCLK. The DAC receives no clock, and should be disabled. PCLK can be inverted for negative edge support, selectable by a memory-mapped register bit.

PLL Controller

Topic	Page
5.1 PLL Module	38
5.2 PLL1 Control	38
5.3 PLL2 Control	43
5.4 PLL Controller Registers.....	48

5.1 PLL Module

The DM643x DMP has two PLLs (PLL1 and PLL2) that provide clocks to different parts of the system. PLL1 provides clocks (through various dividers) to most of the components of the DM643x DMP. PLL2 is dedicated to the DDR2 port and components for the video processing subsystem (VPSS). The typical reference clock is the 27 MHz crystal input, as mentioned in [Chapter 4](#).

The PLL controller provides the following:

- Glitch-Free Transitions (on changing clock settings)
- Domain Clocks Alignment
- Clock Gating
- PLL power down

The various clock outputs given by the controller are as follows:

- Domain Clocks: SYSCLK[1:n]
- Auxiliary Clock from reference clock source: AUXCLK
- Bypass Domain clock: SYSCLKBP
- Observe Clock: OBSCLK

Various dividers that can be used on the DM643x DMP are as follows:

- PLL Controller Dividers (for SYSCLK[1:n]): PLLDIV1, ..., PLLDIVn
- Bypass Divider (for SYSCLKBP): BPDIV
- Oscillator Divider (for OBSCLK): OSCDIV1

Various other controls supported are as follows:

- PLL Multiplier Control: PLLM
- Software-programmable PLL Bypass: PLEN

5.2 PLL1 Control

PLL1 supplies the primary DM643x DMP system clock. Software controls the PLL1 operation through the system PLL controller 1 (PLL1) registers. The registers used in PLL1 are listed in [Section 5.4](#). [Figure 5-1](#) shows the customization of PLL1 in the DM643x DMP. The domain clocks are distributed to the core clock domains (discussed in [Section 4.2.1](#)) and the rest of the device as follows:

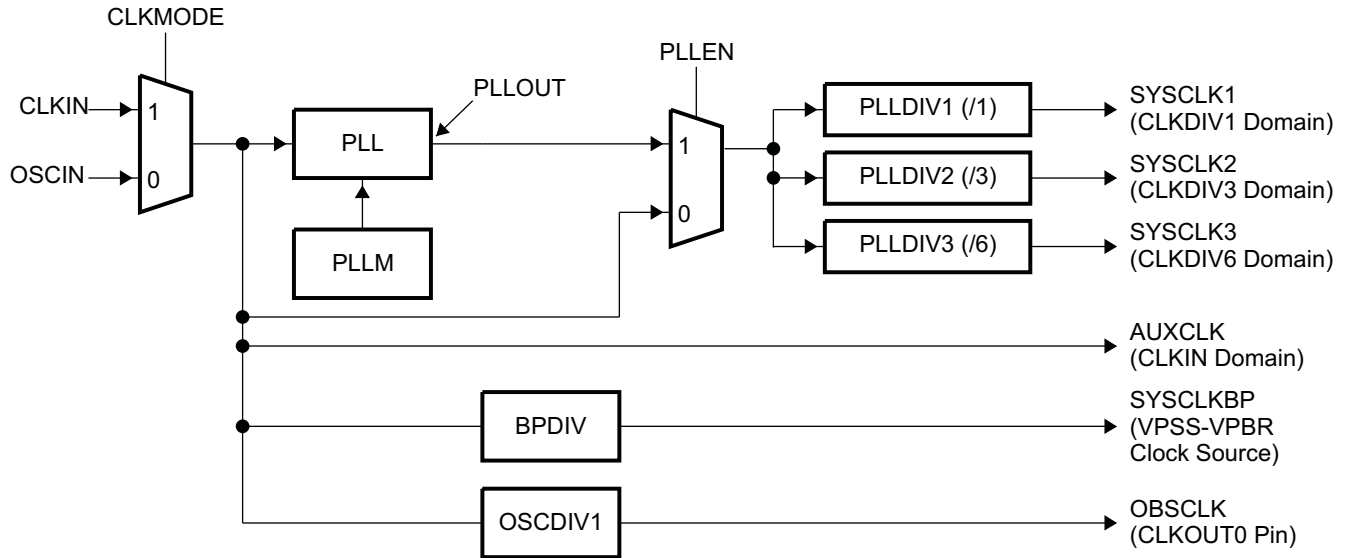
- SYSCLK1: CLKDIV1 Domain
- SYSCLK2: CLKDIV3 Domain
- SYSCLK3: CLKDIV6 Domain
- AUXCLK: CLKIN Domain
- OBSCLK: CLKOUT0 pin
- SYSCLKBP: VPBE internal clock source

The PLL1 multiplier is controlled by the PLLM bit of the PLL multiplier control register (PLLM). The PLL1 output clock may be divided-down for slower device operation using the PLL1 SYSCLK dividers PLLDIV1, PLLDIV2, and PLLDIV3.

You are responsible to adhere to the PLL1 frequency ranges and multiplier/divider ratios specified in the data manual. See also [Section 4.2.1](#) and [Section 4.2.2](#).

At power-up, PLL1 is powered-down and disabled, and must be powered-up by software through the PLL1 PLLPWRDN bit in the PLL control register (PLLCTL). By default, the system operates in bypass mode and the system clock is provided directly from the input reference clock (MXI/CLKIN pin). Once the PLL is powered-up and locked, software can switch the device to PLL mode operation by setting the PLEN bit in PLLCTL to 1. If the boot mode of the device is set to fast boot (FASTBOOT = 1), the bootloader code in the Boot ROM will follow the previous process to power-up and lock the PLL, and switch the device to PLL mode to speed up the boot process. Therefore, coming out of a fast boot, the device is operating in PLL mode.

Figure 5-1. PLL1 Structure in the TMS320DM643x DMP



5.2.1 Device Clock Generation

PLL1 generates several clocks from the PLL1 output clock for use by the various processors and modules. These are summarized in Table 5-1. SYSCLK1, SYSCLK2, and SYSCLK3 must maintain a fixed frequency ratio requirement, no matter what reference clock (PLL or bypass) or PLL frequency is used.

Table 5-1. System PLLC1 Output Clocks

PLL1 Output Clock	Used by	Default Divider
SYSCLK1	DSP Subsystem	/1
SYSCLK2	SCR, EDMA, VPSS, CLKDIV3 Domain peripherals	/3
SYSCLK3	CLKDIV6 Domain peripherals	/6
AUXCLK	CLKIN Domain peripherals	NA
OBSClk	CLKOUT0 source	/1
SYSCLKBP	VPBE clock source	/1

5.2.2 Steps for Changing PLL1/Core Domain Frequency

Refer to the appropriate subsection on how to program the PLL1/Core Domain clocks:

- If the PLL is powered down (PLL_PWRDN bit in PLL_CTL is set to 1), follow the full PLL initialization procedure in Section 5.2.2.1 to initialize the PLL.
- If the PLL is not powered down (PLL_PWRDN bit in PLL_CTL is cleared to 0), follow the sequence in Section 5.2.2.2 to change the PLL multiplier.
- If the PLL is already running at a desired multiplier and you only want to change the SYSCLK dividers, follow the sequence in Section 5.2.2.3.

Note that the PLL is powered down after the following device-level global resets:

- Power-on Reset ($\overline{\text{POR}}$)
- Warm Reset (RESET)
- Max Reset

5.2.2.1 Initialization to PLL Mode from PLL Power Down

If the PLL is powered down (PLLWDRN bit in PLLCTL is set to 1), you must follow the procedure below to change PLL1 frequencies. The recommendation is to stop all peripheral operation before changing the PLL1 frequency, with the exception of the C64x+ DSP and DDR2. The C64x+ DSP must be operational to program the PLL controller. DDR2 operates off of the clock from PLLC2.

1. Select the clock mode by programming the CLKMODE bit in PLLCTL.
2. Before changing the PLL frequency, switch to PLL bypass mode:
 - a. Clear the PLENSRC bit in PLLCTL to 0 to allow PLLCTL.PLEN to take effect.
 - b. Clear the PLEN bit in PLLCTL to 0 (select PLL bypass mode).
 - c. Wait for 4 MXI cycles to ensure PLLC switches to bypass mode properly.
3. Clear the PLLRST bit in PLLCTL to 0 (reset PLL)
4. Set the PLLDIS bit in PLLCTL to 1 (disable PLL output).
5. Clear the PLLWDRN bit in PLLCTL to 0 to bring the PLL out of power-down mode.
6. Clear the PLLDIS bit in PLLCTL to 0 (enable the PLL) to allow PLL outputs to start toggling. Note that the PLLC is still at PLL bypass mode; therefore, the toggling PLL output does not get propagated to the rest of the device.
7. Wait for PLL stabilization time. See the device-specific data manual for PLL stabilization time.
8. Program the required multiplier value in PLLM.
9. If necessary, program PLLDIV1, PLLDIV2, and PLLDIV3 registers to change the SYSCLK1, SYSCLK2, and SYSCLK3 divide values:
 - a. Check for the GOSTAT bit in PLLSTAT to clear to 0 to indicate that no GO operation is currently in progress.
 - b. Program the RATIO field in PLLDIV1, PLLDIV2, and PLLDIV3 with the desired divide factors. Note that the dividers must maintain a 1:3:6 ratio to satisfy the CLKDIV1, CLKDIV3, CLKDIV6 clock domain requirements. See the device-specific data manual for more details on Clock Domains. In addition, make sure in this step you leave the PLLDIV1.D1EN, PLLDIV2.D2EN, and PLLDIV3.D3EN bits set (default).
 - c. Set the GOSET bit in PLLCMD to 1 to initiate a new divider transition. During this transition, SYSCLK1, SYSCLK2, and SYSCLK3 are paused momentarily.
 - d. Wait for N number of PLLDIV_n source clock cycles to ensure divider changes have completed. See [Section 5.2.2.3](#) for the formula on calculating the number of cycles N.
 - e. Wait for the GOSTAT bit in PLLSTAT to clear to 0.
10. Wait for PLL to reset properly. See the device-specific data manual for PLL reset time.
11. Set the PLLRST bit in PLLCTL to 1 to bring the PLL out of reset.
12. Wait for PLL to lock. See the device-specific data manual for PLL lock time.
13. Set the PLEN bit in PLLCTL to 1 to remove the PLL from bypass mode.

5.2.2.2 Changing PLL Multiplier

If the PLL is not powered down (PLLWRDN bit in PLLCTL is cleared to 0) and the PLL stabilization time is previously met (step 7 in [Section 5.2.2.1](#)), follow this procedure to change PLL1 multiplier. The recommendation is to stop all peripheral operation before changing the PLL multiplier, with the exception of the C64x+ DSP and DDR2. The C64x+ DSP must be operational to program the PLL controller. DDR2 operates off of the clock from PLLC2.

1. Before changing the PLL frequency, switch to PLL bypass mode:
 - a. Clear the PLENSRC bit in PLLCTL to 0 to allow PLLCTL.PLEN to take effect.
 - b. Clear the PLEN bit in PLLCTL to 0 (select PLL bypass mode).
 - c. Wait for 4 MXI cycles to ensure PLLC switches to bypass mode properly.
2. Clear the PLLRST bit in PLLCTL to 0 (reset PLL).
3. Clear the PLLDIS bit in PLLCTL to 0 (enable the PLL) to allow PLL outputs to start toggling. Note that the PLLC is still at PLL bypass mode; therefore, the toggling PLL output does not get propagated to the rest of the device.
4. Program the required multiplier value in PLLM.
5. If necessary, program PLLDIV1, PLLDIV2, and PLLDIV3 registers to change the SYSCLK1, SYSCLK2, and SYSCLK3 divide values:
 - a. Check for the GOSTAT bit in PLLSTAT to clear to 0 to indicate that no GO operation is currently in progress.
 - b. Program the RATIO field in PLLDIV1, PLLDIV2, and PLLDIV3 with the desired divide factors. Note that the dividers must maintain a 1:3:6 ratio to satisfy the CLKDIV1, CLKDIV3, CLKDIV6 clock domain requirements. See the device-specific data manual for more details on Clock Domains. In addition, make sure in this step you leave the PLLDIV1.D1EN, PLLDIV2.D2EN, and PLLDIV3.D3EN bits set (default).
 - c. Set the GOSET bit in PLLCMD to 1 to initiate a new divider transition. During this transition, SYSCLK1, SYSCLK2, and SYSCLK3 are paused momentarily.
 - d. Wait for N number of PLLDIV_n source clock cycles to ensure divider changes have completed. See [Section 5.2.2.3](#) for the formula on calculating the number of cycles N.
 - e. Wait for the GOSTAT bit in PLLSTAT to clear to 0.
6. Wait for PLL to reset properly. See the device-specific data manual for PLL reset time.
7. Set the PLLRST bit in PLLCTL to 1 to bring the PLL out of reset.
8. Wait for PLL to lock. See the device-specific data manual for PLL lock time.
9. Set the PLEN bit in PLLCTL to 1 to remove the PLL from bypass mode.

5.2.2.3 Changing SYSCLK Dividers

This section discusses the software sequence to change the SYSCLK dividers. The SYSCLK divider change sequence is also referred to as GO operation, as it involves hitting the GO bit (GOSET bit in PLLCMD) to initiate the divider change. The recommendation is to stop all peripheral operation before changing the SYSCLK dividers, with the exception of the C64x+ DSP and DDR2. The C64x+ DSP must be operational to program the PLL controller. DDR2 operates off of the clock from PLLC2.

1. Check for the GOSTAT bit in PLLSTAT to clear to 0 to indicate that no GO operation is currently in progress.
2. Program the RATIO field in PLLDIV1, PLLDIV2, and PLLDIV3 with the desired divide factors. Note that the dividers must maintain a 1:3:6 ratio to satisfy the CLKDIV1, CLKDIV3, CLKDIV6 clock domain requirements. See the device-specific data manual for more details on Clock Domains. In addition, make sure in this step you leave the PLLDIV1.D1EN, PLLDIV2.D2EN, and PLLDIV3.D3EN bits set (default).
3. Set the GOSET bit in PLLCMD to 1 to initiate a new divider transition. During this transition, SYSCLK1, SYSCLK2, and SYSCLK3 are paused momentarily.
4. Wait for N number of PLLDIV n source clock cycles to ensure divider changes have completed. See the following formula for calculating the number of cycles N.
5. Wait for the GOSTAT bit in PLLSTAT to clear to 0.

The following formula should be used to calculate the number of PLLDIV n source clock cycles:

$$N = (2 \times \text{Least Common Multiple [LCM] of all the old SYSCLK divide values}) + 50 \text{ cycles overhead}$$

Example 5-1. Calculating Number of Clock Cycles N

This example calculates the number of clock cycles N.

- Settings before divider change:
 - PLLDIV1.RATIO = 0 (divide-by-1)
 - PLLDIV2.RATIO = 2 (divide-by-3)
 - PLLDIV3.RATIO = 5 (divide-by-6)
- New divider settings:
 - PLLDIV1.RATIO = 1 (divide-by-2)
 - PLLDIV2.RATIO = 5 (divide-by-6)
 - PLLDIV3.RATIO = 11 (divide-by-12)

The least common multiple between the old divider values of /1, /3, and /6 is /6; therefore, the number of cycles N is:

$$N = (2 \times 6) + 50 \text{ cycles overhead} = 62 \text{ PLLDIV}_n \text{ source clock cycles}$$

If PLLC1 is in PLL mode (PLLCTL.PLEN = 1), the PLLDIV n source clock is the PLL1 output clock. If PLLC1 is in PLL bypass mode (PLLCTL.PLEN = 0), the PLLDIV n source clock is the device clock source MXI/CLKIN.

5.3 PLL2 Control

PLL2 provides the clock from which the DDR2 memory controller and optional VPBE clocks are derived. The DDR PLL controller 2 (PLL2) controls PLL2, which accepts the clock from the oscillator and also generates the various frequency clocks needed. Figure 5-2 shows the customization of PLL2 in the DM643x DMP. The PLL2 clocks are distributed to the device as follows:

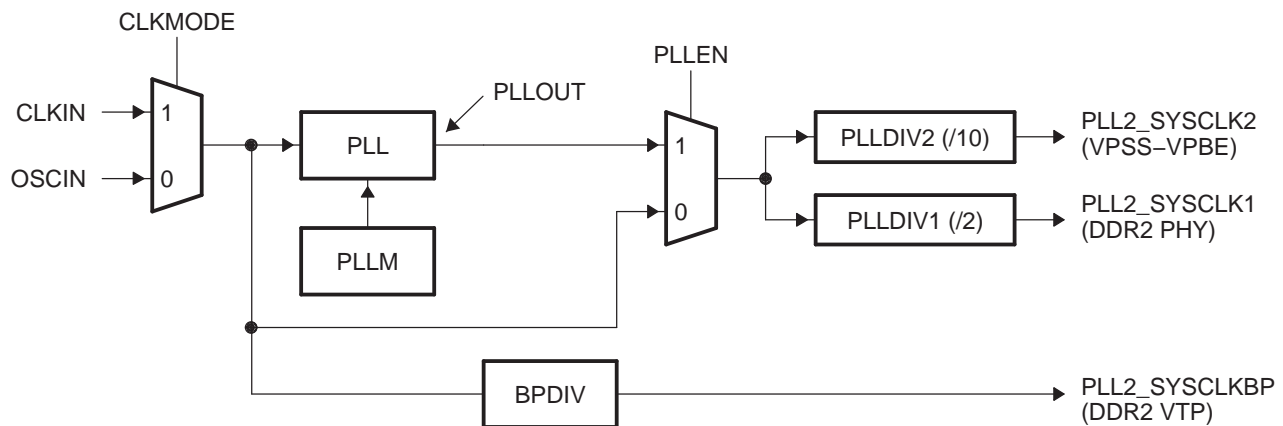
- SYSCLK1: DDR2 PHY
- SYSCLK2: VPSS
- SYSCLKBP: DDR2 VTP

PLL2 supplies the DDR2 memory controller clock. Software controls the PLL2 operation through the DDR PLL controller 2 (PLL2) registers. The registers used in PLL2 are listed in Section 5.4. The PLL2 multiplier is controlled by the PLLM bit of the PLL multiplier control register (PLLM). The PLL2 multiplier may be modified by software (for example, to tune the DDR interface for best performance).

The PLL2 output clock must be divided-down to the DDR operating range using the SYSCLK1 divider.

At power-up, PLL2 is powered-down and disabled, and must be powered-up by software through the PLL2 PLLPWRDN bit in the PLL control register (PLLCTL). By default, the system operates in bypass mode and the DDR clock is provided directly from the input reference clock. Once the PLL is powered-up and locked, software can switch the device to PLL mode operation by setting the PLEN bit in PLLCTL to 1.

Figure 5-2. PLL2 Structure in the TMS320DM643x DMP



5.3.1 Device Clock Generation

PLL2 generates two clocks from the PLL2 output clock for use by the DDR2 memory controller and VPSS modules. These are summarized in Table 5-2.

Table 5-2. DDR PLL2 Output Clocks

Output Clock	Used by	Default Divider
SYSCLK2	VPSS	/10
SYSCLK1	DDR Phy	/2
SYSCLKBP	DDR VTP Controller	/2

The SYSCLK1 output clock divider value defaults to /2. Assuming a 27 MHz MXI/CLKIN and the PLL2 default multiplier of $\times 20$, this results in a 270 MHz DDR Phy clock (135 MHz DDR2). It can be modified by software (RATIO bit in PLLDIV1) in combination with other PLL multipliers to achieve the desired DDR clock rate. The SYSCLK2 divider is programmable to allow a 54 MHz output to be generated from any even-multiple PLL output frequency for use by the VPSS.

5.3.2 Steps for Changing PLL2 Frequency

The PLLC2 is programmed similarly to the PLLC1. Refer to the appropriate subsection on how to program the PLL2 clocks:

- If the PLL is powered down (PLLWDRN bit in PLLCTL is set to 1), follow the full PLL initialization procedure in [Section 5.3.2.2](#) to initialize the PLL.
- If the PLL is not powered down (PLLWDRN bit in PLLCTL is cleared to 0), follow the sequence in [Section 5.3.2.3](#) to change the PLL multiplier.
- If the PLL is already running at a desired multiplier and you only want to change the SYSCLK dividers, follow the sequence in [Section 5.3.2.4](#).

Note that the PLL is powered down after the following device-level global resets:

- Power-on Reset ($\overline{\text{POR}}$)
- Warm Reset ($\overline{\text{RESET}}$)
- Max Reset

In addition, note that the PLL2 frequency directly affects the DDR2 memory controller and the VPSS VPBE clock source (if PLLC2 SYSCLK2 is selected as the VPBE clock source). The DDR2 memory controller requires special sequences to be followed before and after you change the PLL2 frequency. You must follow the additional considerations for the DDR2 memory controller in [Section 5.3.2.1](#) in order to not corrupt DDR2 operation.

5.3.2.1 DDR2 Considerations When Modifying PLL2 Frequency

Before changing PLL2 and/or PLLC2 frequency, you must take into account the DDR2 memory controller requirements. If the DDR2 memory controller is used in the system, follow the additional steps in this section to change PLL2 and/or PLLC2 frequency without corrupting DDR2 operation.

- If the DDR2 memory controller is in reset when you desire to change the PLL2 frequency, follow the steps in [Section 5.3.2.1.1](#).
- If the DDR2 memory controller is already out of reset when you desire to change the PLL2 frequency, follow the steps in [Section 5.3.2.1.2](#).

5.3.2.1.1 PLL2 Frequency Change Steps When DDR2 Memory Controller is In Reset

This section discusses the steps to change the PLL2 frequency when the DDR2 memory controller is in reset. Note that the DDR2 memory controller is in reset after these device-level global resets: power-on reset, warm reset, max reset.

1. Leave the DDR2 memory controller in reset.
2. Program the PLL2 clocks by following the steps in the appropriate section: [Section 5.3.2.2](#), [Section 5.3.2.3](#), or [Section 5.3.2.4](#). (Discussion in [Section 5.3.2](#) explains which is the appropriate subsection).
3. Initialize the DDR2 memory controller. The steps for DDR2 memory controller initialization are found in the *TMS320DM643x DMP DDR2 Memory Controller User's Guide* ([SPRU986](#)).

5.3.2.1.2 PLL2 Frequency Change Steps When DDR2 Memory Controller is Out of Reset

This section discusses the steps to change the PLL2 frequency when the DDR2 memory controller is already out of reset.

1. Stop DDR2 memory controller accesses and purge any outstanding requests.
2. Put the DDR2 memory in self-refresh mode and stop the DDR2 memory controller clock. The DDR2 memory controller clock shut down sequence is in the *TMS320DM643x DMP DDR2 Memory Controller User's Guide* ([SPRU986](#)).
3. Program the PLL2 clocks by following the steps in the appropriate section: [Section 5.3.2.2](#), [Section 5.3.2.3](#), or [Section 5.3.2.4](#). (Discussion in [Section 5.3.2](#) explains which is the appropriate subsection).
4. Re-enable the DDR2 memory controller clock. The DDR2 memory controller clock on sequence is in the *TMS320DM643x DMP DDR2 Memory Controller User's Guide* ([SPRU986](#)).

5.3.2.2 Initialization to PLL Mode from PLL Power Down

If the PLL is powered down (PLL_PWRDN bit in PLL_CTL is set to 1), you must follow the procedure below to change PLL2 frequencies.

1. Select the clock mode by programming the CLKMODE bit in PLL_CTL.
2. Before changing the PLL frequency, switch to PLL bypass mode:
 - a. Clear the PLEN_SRC bit in PLL_CTL to 0 to allow PLL_CTL.PLEN to take effect.
 - b. Clear the PLEN bit in PLL_CTL to 0 (select PLL bypass mode).
 - c. Wait for 4 MXI cycles to ensure PLLC switches to bypass mode properly.
3. Clear the PLL_RST bit in PLL_CTL to 0 (reset PLL)
4. Set the PLL_DIS bit in PLL_CTL to 1 (disable PLL output).
5. Clear the PLL_PWRDN bit in PLL_CTL to 0 to bring the PLL out of power-down mode.
6. Clear the PLL_DIS bit in PLL_CTL to 0 (enable the PLL) to allow PLL outputs to start toggling. Note that the PLLC is still at PLL bypass mode; therefore, the toggling PLL output does not get propagated to the rest of the device.
7. Wait for PLL stabilization time. See the device-specific data manual for PLL stabilization time.
8. Program the required multiplier value in PLLM.
9. If necessary, program PLLDIV1 and PLLDIV2 registers to change the SYSCLK1 and SYSCLK2 divide values:
 - a. Check for the GOSTAT bit in PLL_STAT to clear to 0 to indicate that no GO operation is currently in progress.
 - b. Program the RATIO field in PLLDIV1 and PLLDIV2 with the desired divide factors. For PLLC2, there is no specific frequency ratio requirements between SYSCLK1 and SYSCLK2. Make sure in this step you leave the PLLDIV1.D1EN and PLLDIV2.D2EN bits set (default).
 - c. Set the GOSET bit in PLL_CMD to 1 to initiate a new divider transition. During this transition, SYSCLK1 and SYSCLK2 are paused momentarily.
 - d. Wait for N number of PLLDIV_n source clock cycles to ensure divider changes have completed. See [Section 5.3.2.4](#) for the formula on calculating the number of cycles N.
 - e. Wait for the GOSTAT bit in PLL_STAT to clear to 0.
10. Wait for PLL to reset properly. See the device-specific data manual for PLL reset time.
11. Set the PLL_RST bit in PLL_CTL to 1 to bring the PLL out of reset.
12. Wait for PLL to lock. See the device-specific data manual for PLL lock time.
13. Set the PLEN bit in PLL_CTL to 1 to remove the PLL from bypass mode.

For information on initializing the DDR2 memory controller, see the *TMS320DM643x DMP DDR2 Memory Controller User's Guide* ([SPRU986](#)).

5.3.2.3 Changing PLL Multiplier

If the PLL is not powered down (PLLWRDN bit in PLLCTL is cleared to 0) and the PLL stabilization time is previously met (step 7 in [Section 5.3.2.2](#)), follow this procedure to change PLL2 multiplier.

1. Before changing the PLL frequency, switch to PLL bypass mode:
 - a. Clear the PLENEN bit in PLLCTL to 0 to allow PLLCTL.PLEN to take effect.
 - b. Clear the PLEN bit in PLLCTL to 0 (select PLL bypass mode).
 - c. Wait for 4 MXI cycles to ensure PLLC switches to bypass mode properly.
2. Clear the PLLRST bit in PLLCTL to 0 (reset PLL).
3. Clear the PLLDIS bit in PLLCTL to 0 (enable the PLL) to allow PLL outputs to start toggling. Note that the PLLC is still at PLL bypass mode; therefore, the toggling PLL output does not get propagated to the rest of the device.
4. Program the required multiplier value in PLLM.
5. If necessary, program PLLDIV1 and PLLDIV2 registers to change the SYSCLK1 and SYSCLK2 divide values:
 - a. Check for the GOSTAT bit in PLLSTAT to clear to 0 to indicate that no GO operation is currently in progress.
 - b. Program the RATIO field in PLLDIV1 and PLLDIV2 with the desired divide factors. For PLLC2, there is no specific frequency ratio requirements between SYSCLK1 and SYSCLK2. Make sure in this step you leave the PLLDIV1.D1EN and PLLDIV2.D2EN bits set (default).
 - c. Set the GOSET bit in PLLCMD to 1 to initiate a new divider transition. During this transition, SYSCLK1 and SYSCLK2 are paused momentarily.
 - d. Wait for N number of PLLDIV_n source clock cycles to ensure divider changes have completed. See [Section 5.3.2.4](#) for the formula on calculating the number of cycles N.
 - e. Wait for the GOSTAT bit in PLLSTAT to clear to 0.
6. Wait for PLL to reset properly. See the device-specific data manual for PLL reset time.
7. Set the PLLRST bit in PLLCTL to 1 to bring the PLL out of reset.
8. Wait for PLL to lock. See the device-specific data manual for PLL lock time.
9. Set the PLEN bit in PLLCTL to 1 to remove the PLL from bypass mode.

5.3.2.4 Changing SYSCLK Dividers

This section discusses the software sequence to change the SYSCLK dividers. The SYSCLK divider change sequence is also referred to as GO operation, as it involves hitting the GO bit (GOSET bit in PLLCMD) to initiate the divider change.

1. Check for the GOSTAT bit in PLLSTAT to clear to 0 to indicate that no GO operation is currently in progress.
2. Program the RATIO field in PLLDIV1 and PLLDIV2 with the desired divide factors. For PLLC2, there is no specific frequency ratio requirements between SYSCLK1 and SYSCLK2. Make sure in this step you leave the PLLDIV1.D1EN and PLLDIV2.D2EN bits set (default).
3. Set the GOSET bit in PLLCMD to 1 to initiate a new divider transition. During this transition, SYSCLK1 and SYSCLK2 are paused momentarily.
4. Wait for N number of PLLDIV n source clock cycles to ensure divider changes have completed. See the following formula for calculating the number of cycles N.
5. Wait for the GOSTAT bit in PLLSTAT to clear to 0.

The following formula should be used to calculate the number of PLLDIV n source clock cycles:

$$N = (2 \times \text{Least Common Multiple [LCM] of all the old SYSCLK divide values}) + 50 \text{ cycles overhead}$$

Example 5-2. Calculating Number of Clock Cycles N

This example calculates the number of clock cycles N.

- Settings before divider change:
 - PLLDIV1.RATIO = 1 (divide-by-2)
 - PLLDIV2.RATIO = 9 (divide-by-10)
- New divider settings:
 - PLLDIV1.RATIO = 1 (divide-by-2)
 - PLLDIV2.RATIO = 19 (divide-by-20)

The least common multiple between the old divider values of /2 and /10 is /10; therefore, the number of cycles N is:

$$N = (2 \times 10) + 50 \text{ cycles overhead} = 70 \text{ PLLDIV}_n \text{ source clock cycles}$$

If PLLC2 is in PLL mode (PLLCTL.PLEN = 1), the PLLDIV n source clock is the PLL2 output clock. If PLLC2 is in PLL bypass mode (PLLCTL.PLEN = 0), the PLLDIV n source clock is the device clock source MXI/CLKIN.

5.4 PLL Controller Registers

Table 5-3 lists the base address and end address for the PLL controllers. Table 5-4 lists the memory-mapped registers for the PLL and reset controller. See the device-specific data manual for the memory address of these registers.

Table 5-3. PLL and Reset Controller List

PLL and Reset Controller	Base Address	End Address	Size
PLLC1	1C4 0800h	1C4 0BFFh	400h
PLLC2	1C4 0C00h	1C4 0FFFh	400h

Table 5-4. PLL and Reset Controller Registers

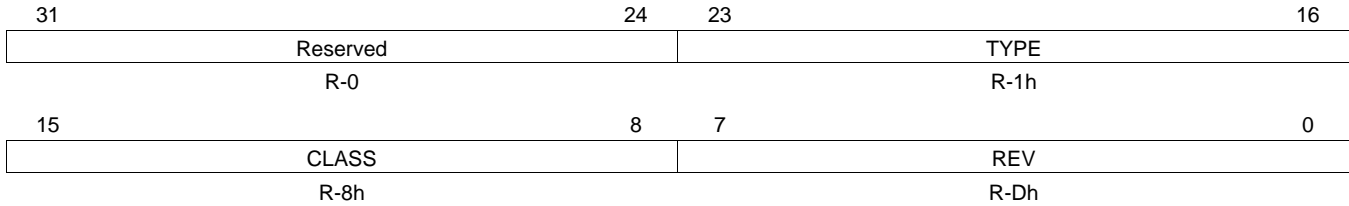
Offset	Acronym	Register Description	Section
00h	PID	Peripheral ID Register	Section 5.4.1
E4h	RSTYPE ⁽¹⁾	Reset Type Status Register	Section 5.4.2
100h	PLLCTL	PLL Control Register	Section 5.4.3
110h	PLLM	PLL Multiplier Control Register	Section 5.4.4
118h	PLLDIV1	PLL Controller Divider 1 Register (SYSCLK1)	Section 5.4.5
11Ch	PLLDIV2	PLL Controller Divider 2 Register (SYSCLK2)	Section 5.4.6
120h	PLLDIV3 ⁽¹⁾	PLL Controller Divider 3 Register (SYSCLK3)	Section 5.4.7
124h	OSCDIV1 ⁽¹⁾	Oscillator Divider 1 Register (OBSCLK)	Section 5.4.8
12Ch	BPDIV	Bypass Divider Register	Section 5.4.9
138h	PLLCMD	PLL Controller Command Register	Section 5.4.10
13Ch	PLLSTAT	PLL Controller Status Register	Section 5.4.11
140h	ALNCTL	PLL Controller Clock Align Control Register	Section 5.4.12
144h	DCHANGE	PLLDIV Ratio Change Status Register	Section 5.4.13
148h	CKEN ⁽¹⁾	Clock Enable Control Register	Section 5.4.14
14Ch	CKSTAT	Clock Status Register	Section 5.4.15
150h	SYSTAT	SYSCLK Status Register	Section 5.4.16

⁽¹⁾ not supported for PLL2.

5.4.1 Peripheral ID Register (PID)

The peripheral ID register (PID) is shown in [Figure 5-3](#) and described in [Table 5-5](#).

Figure 5-3. Peripheral ID Register (PID)



LEGEND: R = Read only; -n = value after reset

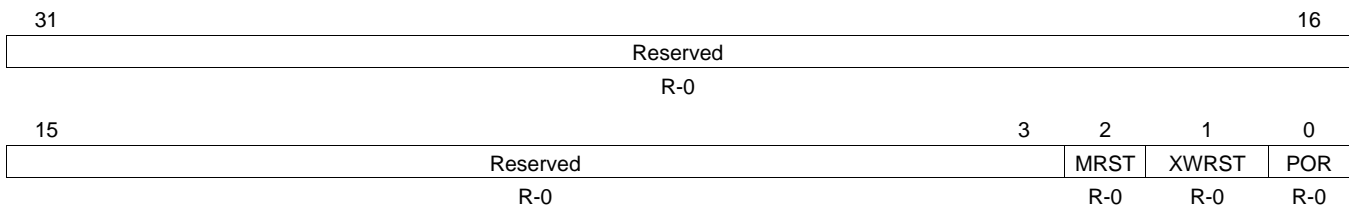
Table 5-5. Peripheral ID Register (PID) Field Descriptions

Bit	Field	Value	Description
31-24	Reserved	0	Reserved
23-16	TYPE	1h	Peripheral type PLLCC
15-8	CLASS	8h	Peripheral class Current class
7-0	REV	Dh	Peripheral revision Current revision

5.4.2 Reset Type Status Register (RSTYPE)

The reset type status register (RSTYPE) is shown in [Figure 5-4](#) and described in [Table 5-6](#). It latches cause of the last reset. Although the reset value of all bits is 0 after coming out of reset, one bit is set to 1 to indicate the cause of the reset.

Figure 5-4. Reset Type Status Register (RSTYPE)



LEGEND: R = Read only; -n = value after reset

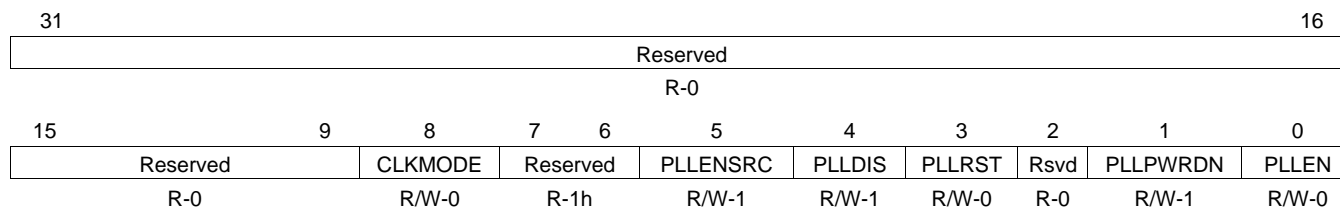
Table 5-6. Reset Type Status Register (RSTYPE) Field Descriptions

Bit	Field	Value	Description
31-3	Reserved	0	Reserved
2	MRST	0-1	Maximum reset. If 1, maximum reset was the reset to occur that is of highest priority.
1	XWRST	0-1	External warm reset. If 1, warm reset ($\overline{\text{RESET}}$) was the last reset to occur that is of highest priority.
0	POR	0-1	Power on reset. If 1, power on reset ($\overline{\text{POR}}$) was the last reset to occur that is of highest priority.

5.4.3 PLL Control Register (PLLCTL)

The PLL control register (PLLCTL) is shown in [Figure 5-5](#) and described in [Table 5-7](#).

Figure 5-5. PLL Control Register (PLLCTL)



LEGEND: R/W = Read/Write; R = Read only; -n = value after reset

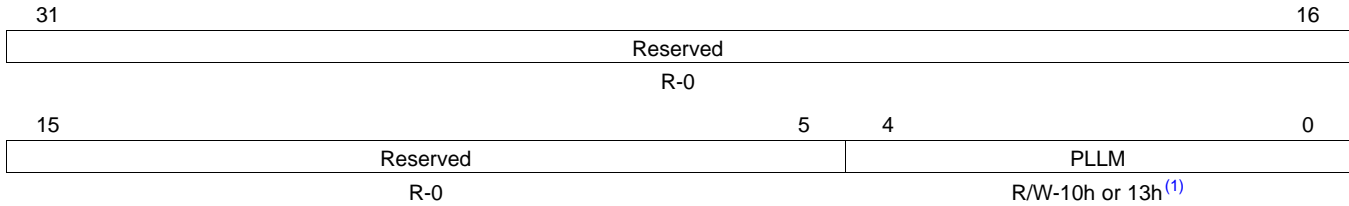
Table 5-7. PLL Control Register (PLLCTL) Field Descriptions

Bit	Field	Value	Description
31-9	Reserved	0	Reserved
8	CLKMODE	0	Reference clock selection Internal oscillator. If the device reference clock source is a crystal at MXI/CLKIN pin, the internal oscillator must be selected as the clock source.
		1	CLKIN square wave. This mode applies if the device reference clock source is a square wave at MXI/CLKIN pin. When this mode is selected, the PLLC turns off the internal oscillator's bias resistor to save power.
7-6	Reserved	1	Reserved
5	PLENSRC	0	This bit must be cleared to 0 before PLEN will have any effect.
4	PLLDIS	0	Asserts DISABLE to PLL. PLL disable is de-asserted.
		1	PLL disable is asserted. PLL output is disabled and not toggling.
3	PLLRST	0	Asserts RESET to PLL if supported. PLL reset is asserted. See device-specific data manual for the PLL reset time required.
		1	PLL reset is not asserted.
2	Reserved	0	Reserved
1	PLLPWRDN	0	PLL power-down. After powering up the PLL (PLLPWRDN 1 to 0 transition), you must wait for the PLL to stabilize. See device-specific data manual for the PLL stabilization time.
		1	PLL operational.
		1	PLL power-down.
0	PLEN	0	PLL mode enable. Bypass mode
		1	PLL mode, not bypassed

5.4.4 PLL Multiplier Control Register (PLLM)

The PLL multiplier control register (PLLM) is shown in [Figure 5-6](#) and described in [Table 5-8](#).

Figure 5-6. PLL Multiplier Control Register (PLLM)



LEGEND: R/W = Read/Write; R = Read only; -n = value after reset

⁽¹⁾ For PLLC1, PLLM defaults to 10h (PLL1 multiply by 17); for PLLC2, PLLM defaults to 13h (PLL2 multiply by 20).

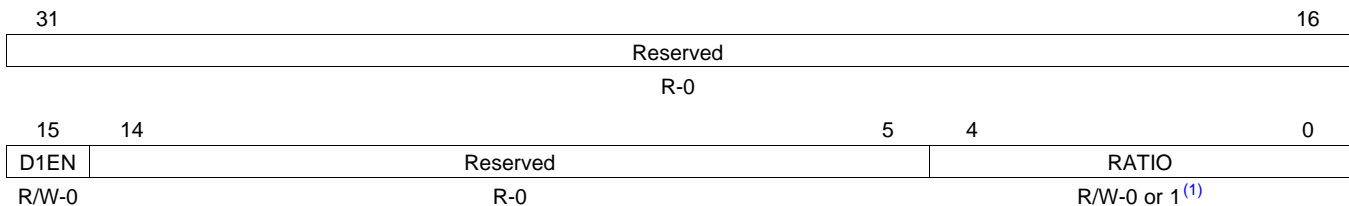
Table 5-8. PLL Multiplier Control Register (PLLM) Field Descriptions

Bit	Field	Value	Description
31-5	Reserved	0	Reserved
4-0	PLLM	0-1Fh	PLL multiplier select. Multiplier value = PLLM + 1. For example, PLLM = 16 (10h) means multiply by 17. See device-specific data manual for valid multiplier values for each PLL.

5.4.5 PLL Controller Divider 1 Register (PLLDIV1)

The PLL controller divider 1 register (PLLDIV1) is shown in [Figure 5-7](#) and described in [Table 5-9](#). Divider 1 controls divider for SYSCLK1.

Figure 5-7. PLL Controller Divider 1 Register (PLLDIV1)



LEGEND: R/W = Read/Write; R = Read only; -n = value after reset

⁽¹⁾ For PLLC1, RATIO defaults to 0 (PLL1 divide by 1); for PLLC2, RATIO defaults to 1 (PLL2 divide by 2).

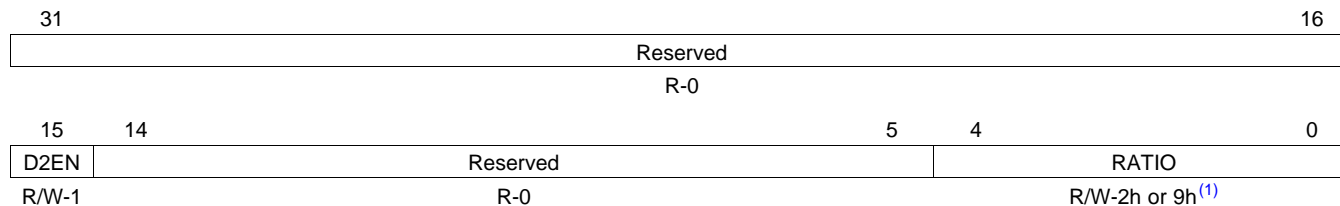
Table 5-9. PLL Controller Divider 1 Register (PLLDIV1) Field Descriptions

Bit	Field	Value	Description
31-16	Reserved	0	Reserved
15	D1EN	0 1	Divider 1 enable. 0: Divider 1 is disabled. 1: Divider 1 is enabled.
14-5	Reserved	0	Reserved
4-0	RATIO	0-1Fh	Divider ratio. Divider value = RATIO + 1. For example, RATIO = 0 means divide by 1.

5.4.6 PLL Controller Divider 2 Register (PLLDIV2)

The PLL controller divider 2 register (PLLDIV2) is shown in [Figure 5-8](#) and described in [Table 5-10](#). Divider 2 controls divider for SYSCLK2.

Figure 5-8. PLL Controller Divider 2 Register (PLLDIV2)



LEGEND: R/W = Read/Write; R = Read only; -n = value after reset

⁽¹⁾ For PLLC1, RATIO defaults to 2h (PLL1 divide by 3); for PLLC2, RATIO defaults to 9h (PLL2 divide by 10).

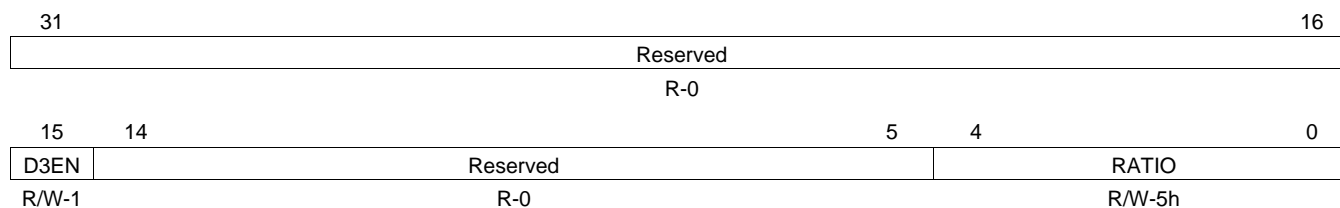
Table 5-10. PLL Controller Divider 2 Register (PLLDIV2) Field Descriptions

Bit	Field	Value	Description
31-16	Reserved	0	Reserved
15	D2EN	0 1	Divider 2 enable. Divider 2 is disabled. Divider 2 is enabled.
14-5	Reserved	0	Reserved
4-0	RATIO	0-1Fh	Divider ratio. Divider value = RATIO + 1. For example, RATIO = 0 means divide by 1.

5.4.7 PLL Controller Divider 3 Register (PLLDIV3)

The PLL controller divider 3 register (PLLDIV3) is shown in [Figure 5-9](#) and described in [Table 5-11](#). Divider 3 controls divider for SYSCLK3. PLLDIV3 is not used on PLLC2.

Figure 5-9. PLL Controller Divider 3 Register (PLLDIV3)



LEGEND: R/W = Read/Write; R = Read only; -n = value after reset

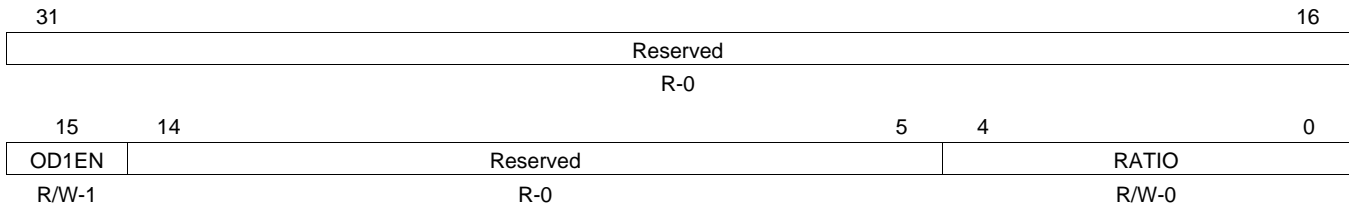
Table 5-11. PLL Controller Divider 3 Register (PLLDIV3) Field Descriptions

Bit	Field	Value	Description
31-16	Reserved	0	Reserved
15	D3EN	0 1	Divider 3 enable. Divider 3 is disabled. Divider 3 is enabled.
14-5	Reserved	0	Reserved
4-0	RATIO	0-1Fh	Divider ratio. Divider value = RATIO + 1. For example, RATIO = 0 means divide by 1.

5.4.8 Oscillator Divider 1 Register (OSCDIV1)

The oscillator divider 1 register (OSCDIV1) is shown in [Figure 5-10](#) and described in [Table 5-12](#). The oscillator divider 1 controls divider for OBSCLK, dividing down from the MXI/CLKIN clock. For PLLC1, the OBSCLK is connected to CLKOUT0 pin. OSCDIV1 only applies to PLLC1, and should not be used on PLLC2.

Figure 5-10. Oscillator Divider 1 Register (OSCDIV1)



LEGEND: R/W = Read/Write; R = Read only; -n = value after reset

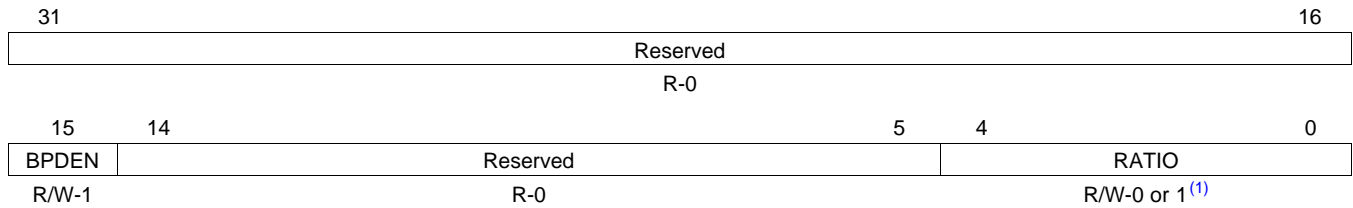
Table 5-12. Oscillator Divider 1 Register (OSCDIV1) Field Descriptions

Bit	Field	Value	Description
31-16	Reserved	0	Reserved
15	OD1EN	0	Oscillator divider 1 enable.
		0	Oscillator divider 1 is disabled.
		1	Oscillator divider 1 is enabled. For OBSCLK to toggle, both the OD1EN bit and the OBSEN bit in the clock enable control register (CKEN) must be set to 1.
14-5	Reserved	0	Reserved
4-0	RATIO	0-1Fh	Divider ratio. Divider value = RATIO + 1. For example, RATIO = 0 means divide by 1.

5.4.9 Bypass Divider Register (BPDIV)

The bypass divider register (BPDIV) is shown in [Figure 5-11](#) and described in [Table 5-13](#). Bypass divider controls divider for SYSCLKBP, dividing down from the MXI/CLKIN clock.

Figure 5-11. Bypass Divider Register (BPDIV)



LEGEND: R/W = Read/Write; R = Read only; -n = value after reset

⁽¹⁾ For PLLC1, RATIO defaults to 0 (MXI/CLKIN divide by 1); for PLLC2, RATIO defaults to 1 (MXI/CLKIN divide by 2).

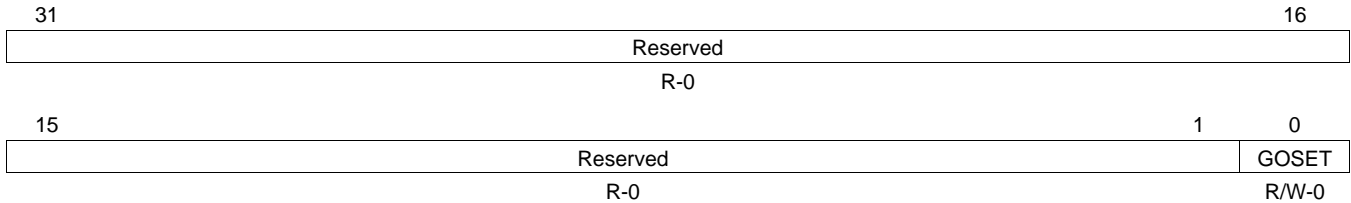
Table 5-13. Bypass Divider Register (BPDIV) Field Descriptions

Bit	Field	Value	Description
31-16	Reserved	0	Reserved
15	BPDEN	0	Bypass divider enable.
		0	Bypass divider is disabled.
		1	Bypass divider is enabled.
14-5	Reserved	0	Reserved
4-0	RATIO	0-1Fh	Divider ratio. Divider value = RATIO + 1. For example, RATIO = 0 means divide by 1.

5.4.10 PLL Controller Command Register (PLLCMD)

The PLL controller command register (PLLCMD) is shown in [Figure 5-12](#) and described in [Table 5-14](#). PLLCMD contains the command bit for the GO operation. Writes of 1 initiate command. Writes of 0 clear the bit, but have no effect.

Figure 5-12. PLL Controller Command Register (PLLCMD)



LEGEND: R/W = Read/Write; R = Read only; -n = value after reset

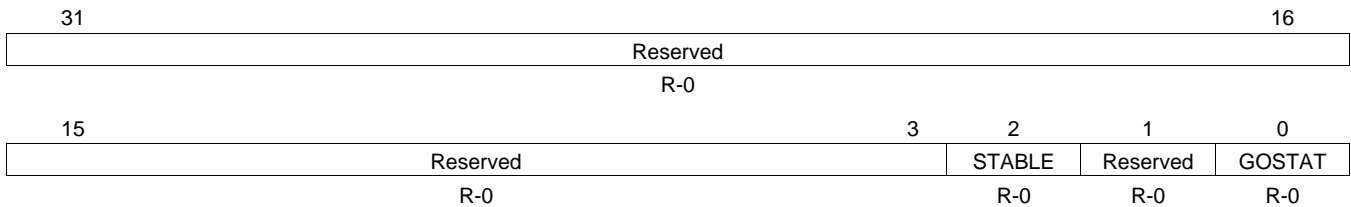
Table 5-14. PLL Controller Command Register (PLLCMD) Field Descriptions

Bit	Field	Value	Description
31-1	Reserved	0	Reserved
0	GOSSET		GO bit for SYSCLKx loading new dividers and phase alignment.
		0	Clear bit (no effect).
		1	Initiate SYSCLKx phase alignment.

5.4.11 PLL Controller Status Register (PLLSTAT)

The PLL controller status register (PLLSTAT) is shown in [Figure 5-13](#) and described in [Table 5-15](#).

Figure 5-13. PLL Controller Status Register (PLLSTAT)



LEGEND: R = Read only; -n = value after reset

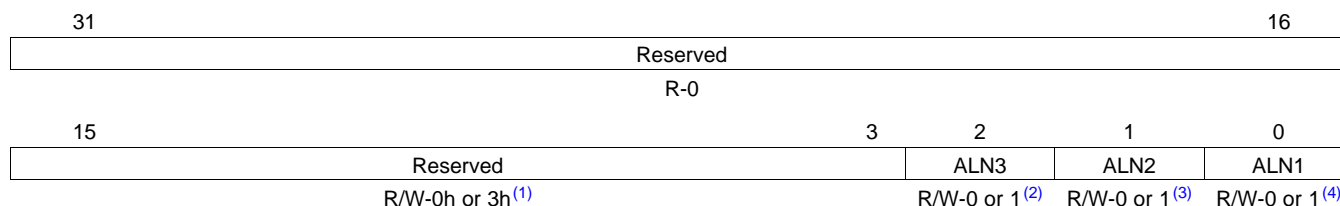
Table 5-15. PLL Controller Status Register (PLLSTAT) Field Descriptions

Bit	Field	Value	Description
31-3	Reserved	0	Reserved
2	STABLE		OSC counter done, oscillator assumed to be stable. By the time the device comes out of reset, this bit should become 1.
		0	No
		1	Yes
1	Reserved	0	Reserved
0	GOSTAT		Status of GO operation.
		0	GO operation is not in progress.
		1	GO operation is in progress.

5.4.12 PLL Controller Clock Align Control Register (ALNCTL)

The PLL controller clock align control register (ALNCTL) is shown in Figure 5-14 and described in Table 5-16. ALNCTL indicates which SYSCLKs need to be aligned for proper device operation. You should not modify ALNCTL from its default settings.

Figure 5-14. PLL Controller Clock Align Control Register (ALNCTL)



LEGEND: R/W = Read/Write; R = Read only; -n = value after reset

- (1) For PLLC1, this reserved field defaults to 3h; for PLLC2, this reserved field defaults to 0h. User must not oppose the default value.
- (2) For PLLC1, ALN3 defaults to 1; for PLLC2, ALN3 is reserved and defaults to 0.
- (3) For PLLC1, ALN2 defaults to 1; for PLLC2, ALN2 defaults to 0.
- (4) For PLLC1, ALN1 defaults to 1; for PLLC2, ALN1 defaults to 0.

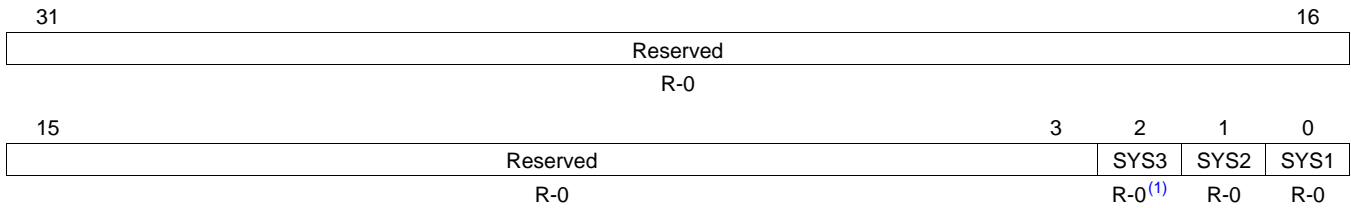
Table 5-16. PLL Controller Clock Align Control Register (ALNCTL) Field Descriptions

Bit	Field	Value	Description
31-3	Reserved	0 or 3	Reserved. User must not oppose the default value.
2	ALN3	0	SYSCLK3 needs to be aligned to others selected in this register. Not applicable on PLLC2 (this bit is reserved).
		1	SYSCLK3 does not need to be aligned.
		1	SYSCLK3 does need to be aligned.
1	ALN2	0	SYSCLK2 needs to be aligned to others selected in this register.
		1	SYSCLK2 does not need to be aligned.
		1	SYSCLK2 does need to be aligned.
0	ALN1	0	SYSCLK1 needs to be aligned to others selected in this register.
		1	SYSCLK1 does not need to be aligned.
		1	SYSCLK1 does need to be aligned.

5.4.13 PLLDIV Ratio Change Status Register (DCHANGE)

The PLLDIV ratio change status register (DCHANGE) is shown in [Figure 5-15](#) and described in [Table 5-17](#). DCHANGE indicates if the SYSCLK divide ratio has been modified.

Figure 5-15. PLLDIV Ratio Change Status Register (DCHANGE)



LEGEND: R = Read only; -n = value after reset

⁽¹⁾ For PLLC2, SYS3 is reserved and defaults to 0.

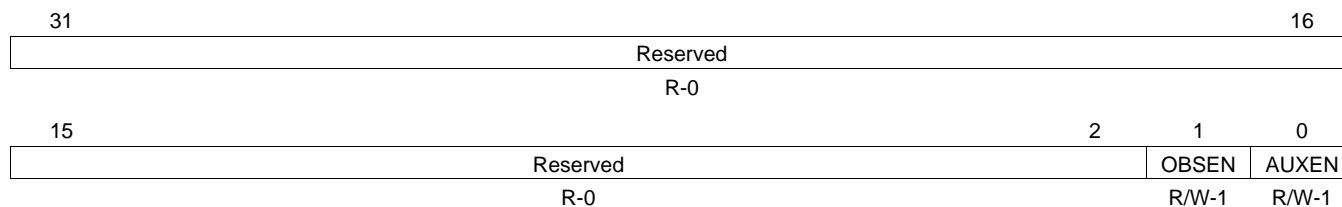
Table 5-17. PLLDIV Ratio Change Status Register (DCHANGE) Field Descriptions

Bit	Field	Value	Description
31-3	Reserved	0	Reserved
2	SYS3	0	SYSCLK3 divide ratio is modified. Not applicable on PLLC2 (this bit is reserved).
		0	SYSCLK3 divide ratio is not modified.
		1	SYSCLK3 divide ratio is modified.
1	SYS2	0	SYSCLK2 divide ratio is modified.
		0	SYSCLK2 divide ratio is not modified.
		1	SYSCLK2 divide ratio is modified.
0	SYS1	0	SYSCLK1 divide ratio is modified.
		0	SYSCLK1 divide ratio is not modified.
		1	SYSCLK1 divide ratio is modified.

5.4.14 Clock Enable Control Register (CKEN)

The clock enable control register (CKEN) is shown in [Figure 5-16](#) and described in [Table 5-18](#). CKEN provides clock enable control for miscellaneous output clocks. CKEN is only applicable to PLLC1, not PLLC2.

Figure 5-16. Clock Enable Control Register (CKEN)



LEGEND: R/W = Read/Write; R = Read only; -n = value after reset

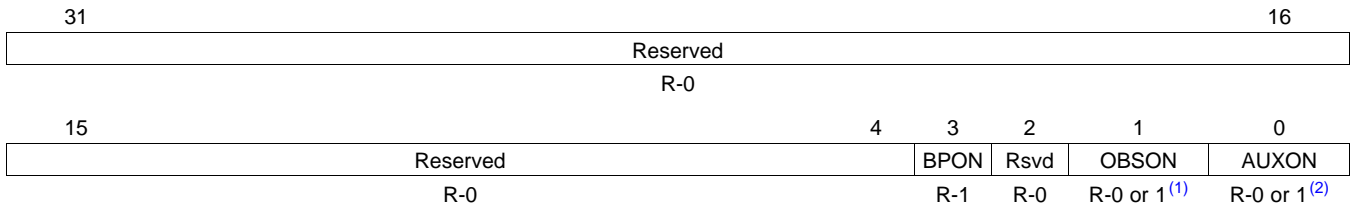
Table 5-18. Clock Enable Control Register (CKEN) Field Descriptions

Bit	Field	Value	Description
31-2	Reserved	0	Reserved
1	OBSEN	0	OBSCCLK enable. Actual OBSCCLK status is shown in the clock status register (CKSTAT). OBSCCLK is disabled.
		1	OBSCCLK is enabled. For OBSCCLK to toggle, both the OBSEN bit and the OD1EN bit in the oscillator divider 1 register (OSCDIV1) must be set to 1.
0	AUXEN	0	AUXCLK enable. Actual AUXCLK status is shown in the clock status register (CKSTAT). AUXCLK is disabled.
		1	AUXCLK is enabled.

5.4.15 Clock Status Register (CKSTAT)

The clock status register (CKSTAT) is shown in [Figure 5-17](#) and described in [Table 5-19](#). CKSTAT shows clock status for all clocks, except SYSCLK n .

Figure 5-17. Clock Status Register (CKSTAT)



LEGEND: R = Read only; - n = value after reset

- (1) For PLLC1, OBSON defaults to 1; for PLLC2, OBSON is reserved and defaults to 0.
- (2) For PLLC1, AUXON defaults to 1; for PLLC2, AUXON is reserved and defaults to 0.

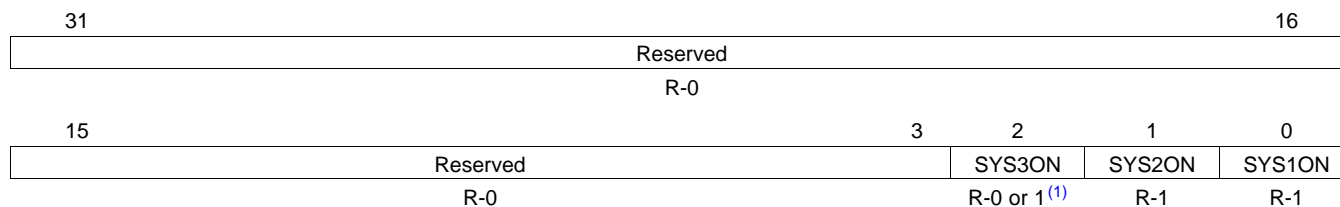
Table 5-19. Clock Status Register (CKSTAT) Field Descriptions

Bit	Field	Value	Description
31-4	Reserved	0	Reserved
3	BPON	0 1	SYSCLKBP on status. SYSCLKBP is controlled in the bypass divider register (BPDIV). SYSCLKBP is off. SYSCLKBP is on.
2	Reserved	0	Reserved
1	OBSON	0 1	OBSClk on status. OBSClk is controlled in the oscillator divider 1 register (OSCDIV1) and by the OBSEN bit in the clock enable control register (CKEN). Not applicable on PLLC2 (this bit is reserved). OBSClk is off. OBSClk is on.
0	AUXON	0 1	AUXCLK on status. AUXCLK is controlled by the AUXEN bit in the clock enable control register (CKEN). Not applicable on PLLC2 (this bit is reserved). AUXCLK is off. AUXCLK is on.

5.4.16 SYSCLK Status Register (SYSTAT)

The SYSCLK status register (SYSTAT) is shown in Figure 5-18 and described in Table 5-20. Indicates SYSCLK on/off status. Actual default is determined by actual clock on/off status, which depends on the D[n]EN bit in PLLDIV[n] default.

Figure 5-18. SYSCLK Status Register (SYSTAT)



LEGEND: R = Read only; -n = value after reset

⁽¹⁾ For PLLC1, SYS3ON defaults to 1; for PLLC2, SYS3ON is reserved and defaults to 0.

Table 5-20. SYSCLK Status Register (SYSTAT) Field Descriptions

Bit	Field	Value	Description
31-3	Reserved	0	Reserved
2	SYS3ON	0	SYSCLK3 on status. SYSCLK3 is controlled in the PLL controller divider 3 register (PLLDIV3). Not applicable on PLLC2 (this bit is reserved).
		1	SYSCLK3 is on.
1	SYS2ON	0	SYSCLK2 on status. SYSCLK2 is controlled in the PLL controller divider 2 register (PLLDIV2).
		1	SYSCLK2 is on.
0	SYS1ON	0	SYSCLK1 on status. SYSCLK1 is controlled in the PLL controller divider 1 register (PLLDIV1).
		1	SYSCLK1 is on.

Power and Sleep Controller

Topic	Page
6.1 Introduction.....	62
6.2 Power Domain and Module Topology	63
6.3 Power Domain and Module States.....	64
6.4 Executing State Transitions	65
6.5 IcePick Emulation Support in the PSC	66
6.6 PSC Interrupts	66
6.7 PSC Registers	68

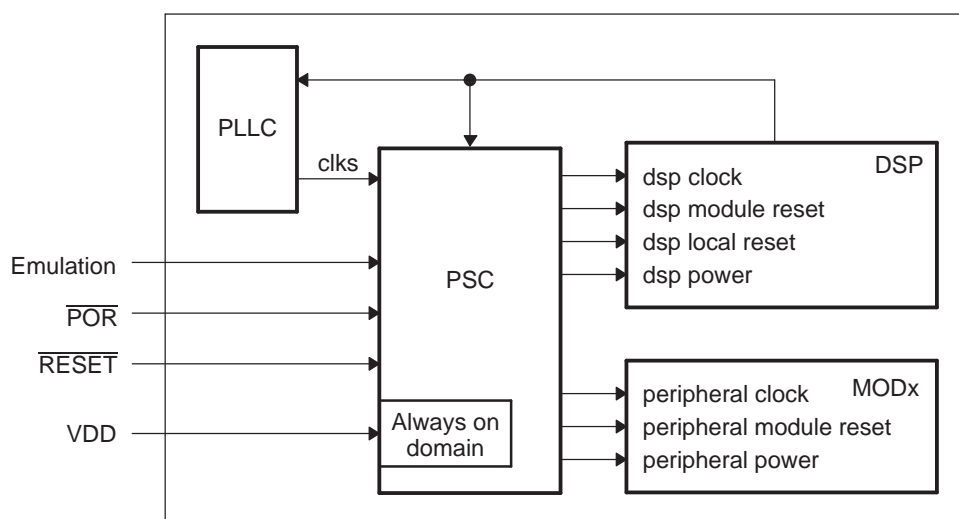
6.1 Introduction

The Power and Sleep Controller (PSC) is responsible for managing transitions of system power on/off, clock on/off, and reset. The DM643x DMP only utilizes the clock gating feature of the PSC for power savings. The PSC consists of a Global PSC (GPSC) and a set of Local PSCs (LPSCs). The GPSC contains memory mapped registers, PSC interrupt control, and a state machine for each peripheral/module. An LPSC is associated with each peripheral/module and provides clock and reset control. Figure 6-1 shows how the PSC is integrated on the device. Many of the operations of the PSC are transparent to software, such as power-on and hard reset operations. However, the PSC provides you with an interface to control several important power, clock, and reset operations. The power, clock, and reset operations are the focus of this chapter.

The PSC includes the following features:

- Manages chip power-on/off and resets
- Provides a software interface to:
 - Control module clock ON/OFF
 - Control module resets
 - Control DSP local reset (CPU reset)
- Supports IcePick emulation features: power, clock, and reset

Figure 6-1. Power and Sleep Controller (PSC) Integration



NOTE: The effects of DSP local reset and DSP module reset have not been fully validated; therefore, these resets are not supported and should not be used. Instead, the $\overline{\text{POR}}$ or $\overline{\text{RESET}}$ pins should be used to reset the entire DSP.

6.2 Power Domain and Module Topology

The DM643x DMP includes one power domain--the AlwaysOn power domain. The AlwaysOn power domain is always on when the chip is on. The AlwaysOn domain is powered by the V_{DD} pins of the DM643x DMP (see the device-specific data manual). All of the DM643x DMP modules reside within the AlwaysOn power domain. [Table 6-1](#) lists all the possible peripherals on the DM643x DMP, their LPSC assignments, and default module states. Refer to the device-specific data manual for the peripherals available on a given device. The module states are defined in [Section 6.3.2](#).

Table 6-1. DM643x DMP Default Module Configuration

LPSC Number	Module Name	Default Module State (MDSTAT.STATE)
0	VPSS (master)	SwRstDisable
1	VPSS (slave)	SwRstDisable
2	EDMACC	SwRstDisable
3	EDMATC0	SwRstDisable
4	EDMATC1	SwRstDisable
5	EDMATC2	SwRstDisable
6	EMAC Memory Controller	SwRstDisable
7	MDIO	SwRstDisable
8	EMAC	SwRstDisable
9	McASP0	SwRstDisable
10	Reserved	-
11	VLYNQ	SwRstDisable
12	HPI	SwRstDisable
13	DDR2 Memory Controller	SwRstDisable
14	EMIFA	SwRstDisable, if configuration pins AEM[2:0] = 000b Enable, if configuration pins AEM[2:0] = others
15	PCI	SwRstDisable
16	McBSP0	SwRstDisable
17	McBSP1	SwRstDisable
18	I2C	SwRstDisable
19	UART0	SwRstDisable
20	UART1	SwRstDisable
21	Reserved	SwRstDisable ⁽¹⁾
22	HECC	SwRstDisable
23	PWM0	SwRstDisable
24	PWM1	SwRstDisable
25	PWM2	SwRstDisable
26	GPIO	SwRstDisable
27	TIMER0	SwRstDisable
28	TIMER1	SwRstDisable
29-38	Reserved	-
39	C64x+ CPU	Enable
40	Reserved	-

⁽¹⁾ For this reserved domain, it is important not to set the corresponding STATE bits in the module status n registers (MDSTAT0-MDSTAT39) to disable. For more details on MDSTAT n and the STATE bits, see [Section 6.7.9](#).

6.3 Power Domain and Module States

Note: The effects of DSP local reset and DSP module reset have not been fully validated; therefore, these resets are not supported and should not be used. Instead, the $\overline{\text{POR}}$ or $\overline{\text{RESET}}$ pins should be used to reset the entire DSP.

Table 6-1 shows the state of each module after chip Power-on Reset ($\overline{\text{POR}}$), Warm Reset ($\overline{\text{RESET}}$), or Max Reset. These states are defined in the following sections.

6.3.1 Power Domain States

A power domain can only be in one of two states: ON or OFF, defined as follows:

- ON: power to the power domain is on.
- OFF: power to the power domain is off.

In the DM643x DMP, the AlwaysOn Power Domain is always in the ON state when the chip is powered-on.

6.3.2 Module States

A module can be in one of four states: Disable, Enable, SyncReset, or SwRstDisable. These four states correspond to combinations of module reset asserted or de-asserted and module clock on or off, as shown in Table 6-2.

Table 6-2. Module States

Module State	Module Reset	Module Clock	Module State Definition
Enable	De-asserted	On	A module in the enable state has its module reset de-asserted and it has its clock on. This is the normal run-time state for a given module.
Disable	De-asserted	Off	A module in the disable state has its module reset de-asserted and it has its clock off. This state is typically used for disabling a module clock to save power. The DM643x DMP is designed in full static CMOS, so when you stop a module clock, it retains the module's state. When the clock is restarted, the module resumes operating from the stopping point.
SyncReset	Asserted	On	A module in the SyncReset state has its module reset asserted and it has its clock on. Generally, software is not expected to initiate this state.
SwRstDisable	Asserted	Off	A module in the SwResetDisable state has its module reset asserted and it has its clock set to off. After initial power-on, most modules are in the SyncRst state by default (see Table 6-1). Generally, software is not expected to initiate this state.

Note: Module Reset is defined to completely reset a given module, so that all hardware returns to its default state. See Chapter 10 for more information on module reset.

For more information on power management, see Chapter 7.

6.3.3 Local Reset

In addition to module reset (described in [Section 6.3.2](#)), the DSP CPU can be reset using a special local reset. When DSP local reset is asserted, the DSPs internal memories (L1P, L1D, and L2) are still accessible. The local reset only resets the DSP CPU core, not the rest of the DSP subsystem, as the DSP module reset would.

Module reset takes precedence over Local Reset; therefore, Local Reset is not useful when the DSP is in SyncReset or SwRstDisable state.

See [Chapter 10](#) for more information on local reset and scenarios where this can be used.

The procedures for asserting and de-asserting DSP local reset are as follows:

1. Clear the LRST bit in MDCTL39 to 0 (assert the DSP local reset).
2. Set the LRST bit in MDCTL39 to 1 (de-assert DSP local reset). If the DSP is in the enable state, it immediately executes program instructions after reset is de-asserted.

6.4 Executing State Transitions

This section describes how to execute state transitions for device modules.

6.4.1 Power Domain State Transitions

The DM643x DMP consists of only one power domain--the AlwaysOn power domain. This AlwaysOn Power Domain is always in the ON state when the chip is powered-on. You are not allowed to change this power domain state to OFF.

6.4.2 Module State Transitions

This section describes the procedure for transitioning the module state. All DM643x DMP modules are on the AlwaysOn domain (Power Domain 0).

Note that some peripherals have special programming requirements and steps you must take before you can invoke the PSC module state transition. Refer to the individual peripheral reference guide for more details. For example, the DDR2 memory controller requires that you first place the DDR memory in self-refresh mode before you invoke the PSC module state transition, if you want to maintain the memory content.

Note: The following procedure is directly applicable for all modules, except for the DSP in the DM643x DMP. To transition the DSP module state, you must be aware of several system considerations.

The procedure for module state transitions is as follows (where n corresponds to the module):

1. Wait for the GOSTAT[0] bit in PTSTAT to clear to 0. You must wait for any previously initiated transitions to finish before initiating a new transition.
2. Set the NEXT bit in MDCTL n to SwRstDisable (0), SyncReset (1), Disable (2h), or Enable (3h).

Note: You may set transitions in multiple NEXT bits in MDCTL n in this step. Transitions do not actually take place until you set the GO[0] bit in PTCMD in a later step.

3. Set the GO[0] bit in PTCMD to 1 to initiate the transition(s).
4. Wait for the GOSTAT[0] bit in PTSTAT to clear to 0. The modules are safely in the new states only after the GOSTAT[0] bit in PTSTAT is cleared to 0.

6.5 IcePick Emulation Support in the PSC

The PSC supports IcePick commands that allow IcePick aware emulation tools to have some control over the state of power domains and modules. On the DM643x DMP, this IcePick support only applies to the C64x+ CPU (module number 39 in the AlwaysOn power domain 0).

In particular, [Table 6-3](#) shows IcePick emulation commands recognized by the PSC, and indicated ones that apply to the C64x+ CPU on the DM643x DMP.

Table 6-3. IcePick Emulation Commands

Power On and Enable Features	Power On and Enable Descriptions	Reset Features	Reset Descriptions
Inhibit Sleep	Allows emulation to prevent software from transitioning the module out of the enable state. Applicable to the DM643x DMP.	Assert Reset	Allows emulation to assert the module's local reset. Applicable to the DM643x DMP.
Force Power	Allows emulation to force the power domain into an on state. Not applicable on the DM643x DMP as AlwaysOn power domain is always on.	Wait Reset	Allows emulation to keep local reset asserted for an extended period of time after software initiates local reset de-assert. Applicable to the DM643x DMP.
Force Active	Allows emulation to force the module into the enable state. Applicable to the DM643x DMP.	Block Reset	Allows emulation to block software initiated local and module resets. Applicable to the DM643x DMP.

Note: When emulation tools remove the above commands, the PSC immediately executes a state transition based on the current values in the NEXT bit in PDCTL0 and the NEXT bit in MDCTL $_n$, as set by software.

6.6 PSC Interrupts

The PSC has an interrupt that is tied to the C64x+ interrupt controller (INTC). This interrupt is named PSCINT in the interrupt map. The PSC interrupt is generated when certain IcePick emulation events occur.

6.6.1 Interrupt Events

The PSC interrupt is generated when any of the following events occur:

- Module State Emulation Event
- Module Local Reset Emulation Event

These interrupt events are summarized in [Table 6-4](#) and described in more detail in this section.

Table 6-4. PSC Interrupt Events

Interrupt Enable Bits		Interrupt Condition
Control Register	Status Bit	
MDCTL $_n$	EMUIHB	Interrupt occurs when the emulation alters the module state.
MDCTL $_n$	EMURST	Interrupt occurs when the emulation alters the module's local reset.

The PSC interrupt events only apply when IcePick emulation alters the state of the module from the user-programmed state in the NEXT bit in MDCTL $_n$. As discussed in [Section 6.5](#), on the DM643x DMP, IcePick support only applies to the C64x+ CPU (module 39), therefore the PSC interrupt condition only applies to module 39.

The DM643x DMP is a single-processor device. The C64x+ CPU must not program its own module state. The C64x+ CPU module state can only be programmed by an external host (for example, PCI, HPI). As a result, interrupt events listed in [Table 6-4](#) can only occur in the scenario where an external host programs the C64x+ CPU module state but the emulator alters that desired state.

6.6.1.1 Module State Emulation Events

A module state emulation event occurs when emulation alters the state of a module. Status is reflected in the EMUIHB bit in MDSTAT n . In particular, a module state emulation event occurs under the following conditions:

- When inhibit sleep is asserted by emulation and software attempts to transition the module out of the enable state.
- When force active is asserted by emulation and module is not already in the enable state.

6.6.1.2 Local Reset Emulation Events

A local reset emulation event occurs when emulation alters the local reset of a module. Status is reflected in the EMURST bit in MDSTAT n . In particular, a module local reset emulation event occurs under the following conditions:

- When assert reset is asserted by emulation although software de-asserted the local reset.
- When wait reset is asserted by emulation.
- When block reset is asserted by emulation and software attempts to change the state of local reset.

6.6.2 Interrupt Registers

The PSC interrupt enable bits are the EMUIHBIE bit in MDCTL39 and the EMURSTIE bit in MDCTL39.

Note: To interrupt the DSP, the power and sleep controller interrupt (PSCINT) must also be enabled in the DSP interrupt controller. See [Section 2.4.1](#) for more information on the interrupt controller.

The PSC interrupt status bits are the M[39] bit in MERRPR1, the EMUIHB bit in MDSTAT39, and the EMURST bit in MDSTAT39. The status bit in MERRPR1 is read by software to determine which module has generated an emulation interrupt, and then software can read the corresponding status bits in MDSTAT39 to determine which event caused the interrupt.

The PSC interrupt clear bit is the M[39] bit in MERRCR1.

The PSC interrupt evaluation bit is the ALLEV bit in INTEVAL. When set, this bit forces the PSC interrupt logic to re-evaluate event status. If any events are still active (if any status bits are set) when the ALLEV bit in INTEVAL is set to 1, the PSCINT is re-asserted to the DSP interrupt controller. Set the ALLEV bit in INTEVAL before exiting your PSCINT interrupt service routine to ensure that you do not miss any PSC interrupts.

See [Section 6.7](#) for complete descriptions of all PSC registers.

6.6.3 Interrupt Handling

Handle the PSC interrupts as described in the following procedure:

First, enable the interrupt.

1. Set the EMUIHBIE bit and the EMURSTIE bit in MDCTL39 to enable the interrupt events that you want.

Note: The PSC interrupt PSCINT is sent to the DSP interrupt controller when at least one enabled event becomes active.

2. Enable the power and sleep controller interrupt (PSCINT) in the DSP interrupt controller. To interrupt the DSP, PSCINT must be enabled in the DSP interrupt controller. See [Section 2.4.1](#) for more information.

The DSP enters the interrupt service routine (ISR) when it receives the interrupt.

1. Read the M_n bit in MERRPR1 to determine the source of the interrupt(s). Note that on the DM643x DMP, only M[39] can cause an interrupt.
2. For each active event that you want to service:
 - Read the event status bits in MDSTAT39, depending on the status bits read in the previous step to determine the event that caused the interrupt.
 - Service the interrupt as required by your application.
 - Write the M[39] bit in MERRCR1 to clear corresponding status.
 - Set the ALLEV bit in INTEVAL to 1. Setting this bit reasserts the PSCINT to the DSP interrupt controller, if there are still any active interrupt events.

6.7 PSC Registers

[Table 6-5](#) lists the memory-mapped registers for the PSC. See the device-specific data manual for the memory address of these registers.

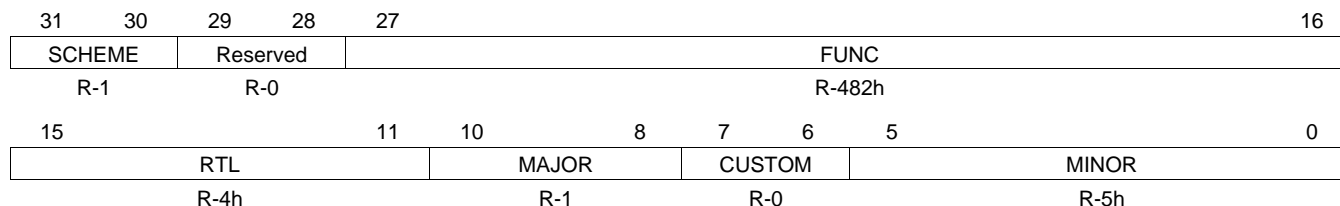
Table 6-5. Power and Sleep Controller (PSC) Registers

Offset	Register	Description	Section
0h	PID	Peripheral Revision and Class Information Register	Section 6.7.1
18h	INTEVAL	Interrupt Evaluation Register	Section 6.7.2
44h	MERRPR1	Module Error Pending Register 1	Section 6.7.3
54h	MERRCR1	Module Error Clear Register 1	Section 6.7.4
120h	PTCMD	Power Domain Transition Command Register	Section 6.7.5
128h	PTSTAT	Power Domain Transition Status Register	Section 6.7.6
200h	PDSTAT[0]	Power Domain Status 0 Register	Section 6.7.7
300h	PDCTL[0]	Power Domain Control 0 Register	Section 6.7.8
800h-89Ch	MDSTAT0-39	Module Status n Register	Section 6.7.9
A00h-A9Ch	MDCTL0-39	Module Control n Register	Section 6.7.10

6.7.1 Peripheral Revision and Class Information Register (PID)

The peripheral revision and class information (PID) register is shown in [Figure 6-2](#) and described in [Table 6-6](#).

Figure 6-2. Peripheral Revision and Class Information Register (PID)



LEGEND: R = Read only; -n = value after reset

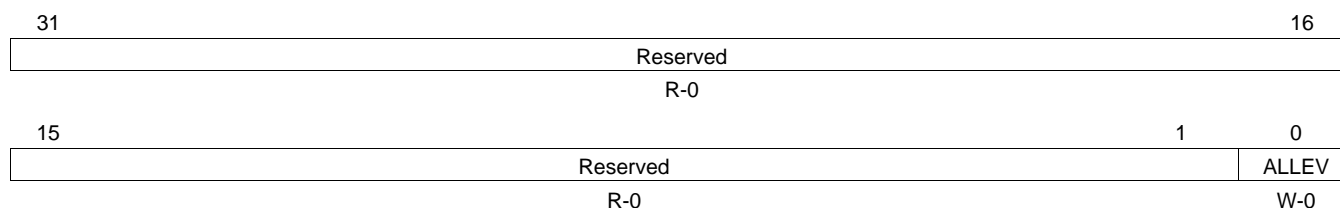
Table 6-6. Peripheral Revision and Class Information Register (PID) Field Descriptions

Bit	Field	Value	Description
31-30	SCHEME	0-3h	Distinguishes between the old scheme and the current scheme. There is a spare bit to encode future schemes.
29-28	Reserved	0	Reserved
27-16	FUNC	0-FFFh	Indicates a software compatible module family.
15-11	RTL	4h	RTL version. Current RTL version.
10-8	MAJOR	1h	Major revision. Current major revision.
7-6	CUSTOM	0-3h	Indicates a special version for a particular device.
5-0	MINOR	5h	Minor revision. Current minor revision.

6.7.2 Interrupt Evaluation Register (INTEVAL)

The interrupt evaluation register (INTEVAL) is shown in [Figure 6-3](#) and described in [Table 6-7](#).

Figure 6-3. Interrupt Evaluation Register (INTEVAL)



LEGEND: R = Read only; W= Write only; -n = value after reset

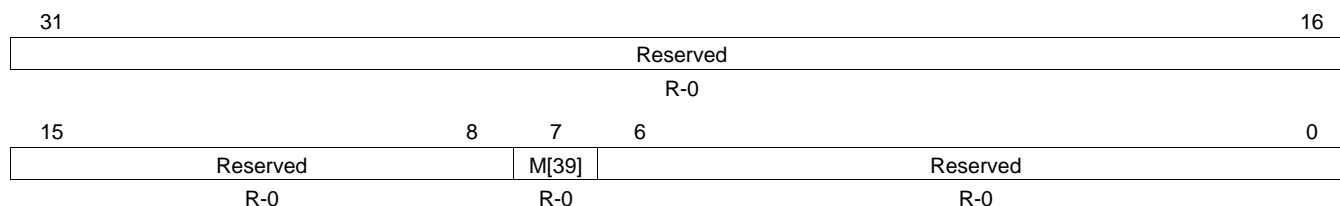
Table 6-7. Interrupt Evaluation Register (INTEVAL) Field Descriptions

Bit	Field	Value	Description
31-1	Reserved	0	Reserved
0	ALLEV	0	Evaluate PSC interrupt. A write of 0 has no effect.
		1	A write of 1 re-evaluates the interrupt condition.

6.7.3 Module Error Pending Register 1 (MERRPR1)

The module error pending register 1 (MERRPR1) is shown in [Figure 6-4](#) and described in [Table 6-8](#). Only the C64x+ CPU (module 39) can have an error condition, as it is the only module with IcePick support. See [Section 6.5](#) for more information.

Figure 6-4. Module Error Pending Register 1 (MERRPR1)



LEGEND: R = Read only; -n = value after reset

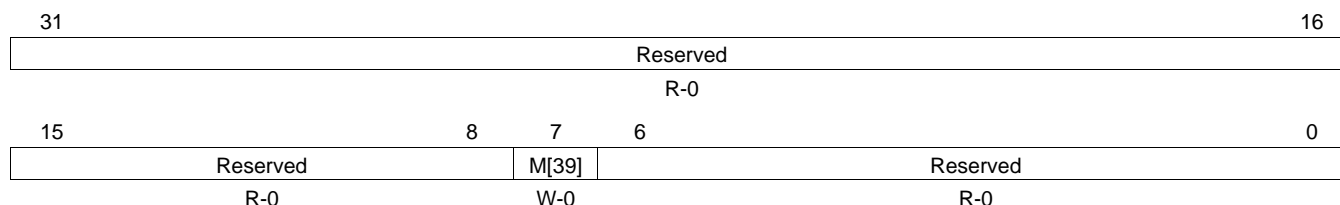
Table 6-8. Module Error Pending Register 1 (MERRPR1) Field Descriptions

Bit	Field	Value	Description
31-8	Reserved	0	Reserved
7	M[39]	0	Module 39 does not have an error condition.
		1	Module 39 has an error condition. See the module status 39 register (MDSTAT39) for the exact error condition.
6-0	Reserved	0	Reserved

6.7.4 Module Error Clear Register 1 (MERRCR1)

The module error clear register 1 (MERRCR1) is shown in [Figure 6-5](#) and described in [Table 6-9](#). Only the C64x+ CPU (module 39) can have an error condition, as it is the only module with IcePick support.

Figure 6-5. Module Error Clear Register 1 (MERRCR1)



LEGEND: R = Read only; W = Write only; -n = value after reset

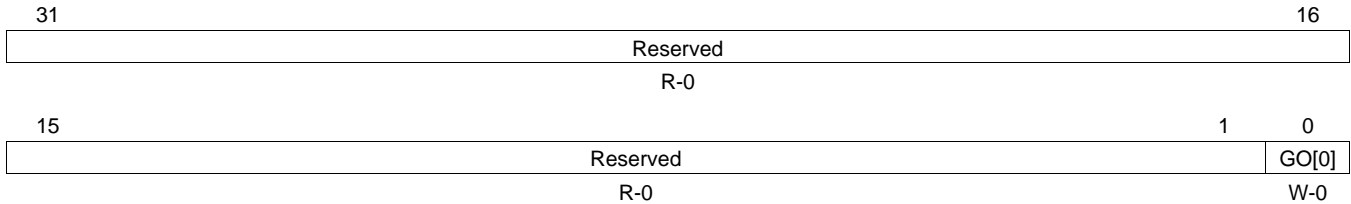
Table 6-9. Module Error Clear Register 1 (MERRCR1) Field Descriptions

Bit	Field	Value	Description
31-8	Reserved	0	Reserved
7	M[39]	0	Clears the interrupt status bits set in the corresponding module error pending register 1 (MERRPR1) and the module status 39 register (MDSTAT39). This pertains to module 39. A write of 0 has no effect.
		1	Clears module interrupt status bits: the M[39] bit in MERRPR1, the EMURST bit and the EMUIHB bit in MDSTAT39.
6-0	Reserved	0	Reserved

6.7.5 Power Domain Transition Command Register (PTCMD)

The power domain transition command register (PTCMD) is shown in [Figure 6-6](#) and described in [Table 6-10](#).

Figure 6-6. Power Domain Transition Command Register (PTCMD)



LEGEND: R = Read only; W = Write only; -n = value after reset

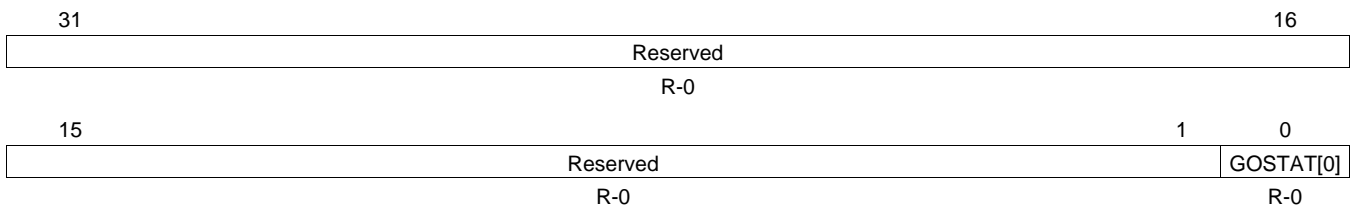
Table 6-10. Power Domain Transition Command Register (PTCMD) Field Descriptions

Bit	Field	Value	Description
31-1	Reserved	0	Reserved
0	GO[0]	0	AlwaysOn Power domain GO transition command. A write of 0 has no effect.
		1	Writing 1 causes the PSC to evaluate all the NEXT fields relevant to this power domain (including the NEXT bit in MDCTLn for all the modules residing on this domain). If any of the NEXT fields are not matching the corresponding current state (STATE bit in MDSTATn), the PSC will transition those respective domain/modules to the new NEXT state.

6.7.6 Power Domain Transition Status Register (PTSTAT)

The power domain transition status register (PTSTAT) is shown in [Figure 6-7](#) and described in [Table 6-11](#).

Figure 6-7. Power Domain Transition Status Register (PTSTAT)



LEGEND: R = Read only; -n = value after reset

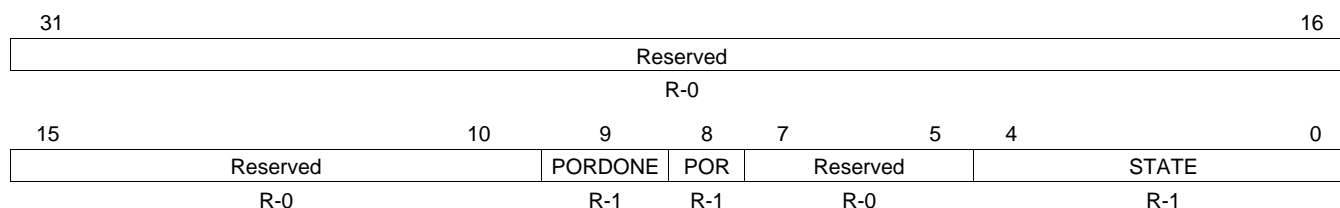
Table 6-11. Power Domain Transition Status Register (PTSTAT) Field Descriptions

Bit	Field	Value	Description
31-1	Reserved	0	Reserved
0	GOSTAT[0]	0	AlwaysOn Power domain transition status. No transition is in progress.
		1	Modules in AlwaysOn power domain are transitioning.

6.7.7 Power Domain Status 0 Register (PDSTAT0)

The power domain status n register (PDSTAT0) is shown in [Figure 6-8](#) and described in [Table 6-12](#). PDSTAT0 applies to the AlwaysOn power domain.

Figure 6-8. Power Domain Status 0 Register (PDSTAT0)



LEGEND: R = Read only; -n = value after reset

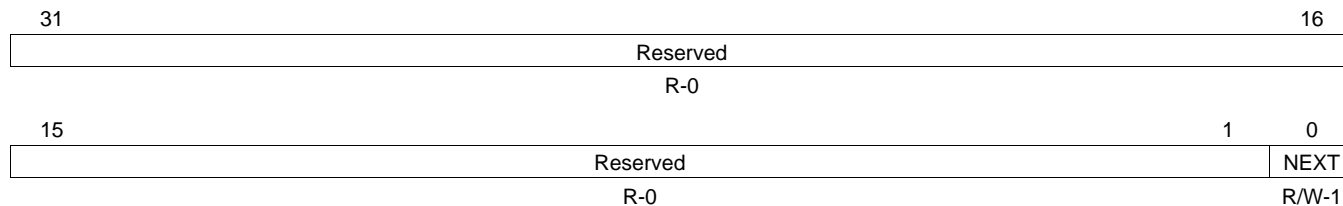
Table 6-12. Power Domain Status 0 Register (PDSTAT0) Field Descriptions

Bit	Field	Value	Description
31-10	Reserved	0	Reserved
9	PORDONE	0	Power_On_Reset (POR) done status. Power domain POR is not done.
		1	Power domain POR is done.
8	POR	0	Power domain Power_On_Reset (POR) status. This bit reflects the POR status for this power domain including all modules in the domain. Power domain POR is asserted.
		1	Power domain POR is de-asserted.
7-5	Reserved	0	Reserved
4-0	STATE	0	Power domain status Power domain is in the off state.
		1	Power domain is in the on state.

6.7.8 Power Domain Control 0 Register (PDCTL0)

The power domain control n register (PDCTL0) is shown in [Figure 6-9](#) and described in [Table 6-13](#). PDCTL0 applies to the AlwaysOn power domain.

Figure 6-9. Power Domain Control 0 Register (PDCTL0)



LEGEND: R/W = Read/Write; R = Read only; -n = value after reset

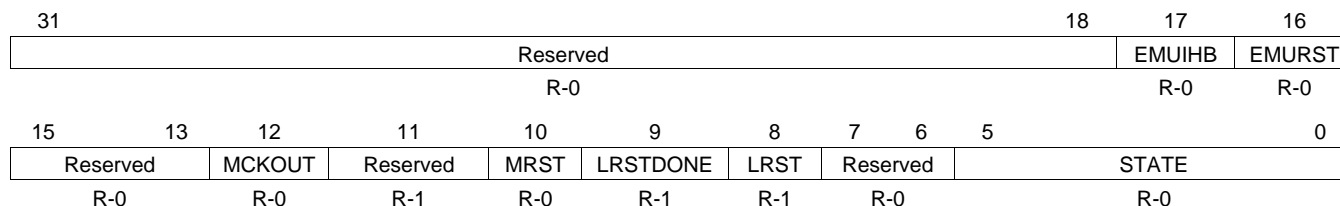
Table 6-13. Power Domain Control 0 Register (PDCTL0) Field Descriptions

Bit	Field	Value	Description
31-1	Reserved	0	Reserved
0	NEXT	0	Power domain next state. Power domain off.
		1	Power domain on. AlwaysOn domain must always be programmed to this value.

6.7.9 Module Status *n* Register (MDSTAT_{*n*})

The module status *n* register (MDSTAT0-MDSTAT39) is shown in [Figure 6-10](#) and described in [Table 6-14](#).

Figure 6-10. Module Status *n* Register (MDSTAT_{*n*})



LEGEND: R = Read only; -*n* = value after reset

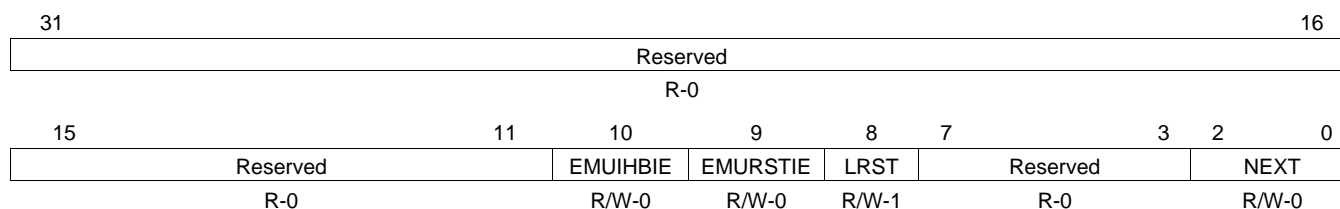
Table 6-14. Module Status *n* Register (MDSTAT_{*n*}) Field Descriptions

Bit	Field	Value	Description
31-18	Reserved	0	Reserved
17	EMUIHB	0 1	Emulation Alters Module State. This bit applies to DSP module only (module 39). This field is 0 for all other modules. 0 No emulation altering user-desired module state programmed in the NEXT bit in MDCTL39. 1 Emulation altered user-desired state programmed in the NEXT bit in MDCTL39. If you desire to generate a PSCINT upon this event, you must set the EMUIHBIE bit in MDCTL39..
16	EMURST	0 1	Emulation Alters Module Reset. This bit applies to DSP module only (module 39). This field is 0 for all other modules. 0 No emulation altering user-desired module reset state. 1 Emulation altered user-desired module reset state. If you desire to generate a PSCINT upon this event, you must set the EMURSTIE bit in MDCTL39.
15-13	Reserved	0	Reserved
12	MCKOUT	0 1	Module clock output status. Shows actual status of module clock. 0 Module clock is off. 1 Module clock is on.
11	Reserved	1	Reserved
10	MRST	0 1	Module reset status. Reflects actual state of module reset. 0 Module reset is asserted. 1 Module reset is de-asserted.
9	LRSTDONE	0 1	Local reset done. Software is responsible for checking if local reset is done before accessing this module. This bit applies to the DSP module only (module 39). This field is 1 for all other modules. 0 Local reset is not done. 1 Local reset is done.
8	LRST	0 1	Module local reset status. This bit applies to the DSP module only (module 39). 0 Local reset is asserted. 1 Local reset is de-asserted.
7-6	Reserved	0	Reserved
5-0	STATE	0-3Fh 0 1h 2h 3h 4h-3Fh	Module state status. Indicates current module status. 0 SwRstDisable state 1h SyncReset state 2h Disable state 3h Enable state 4h-3Fh Indicates transition

6.7.10 Module Control *n* Register (MDCTL*n*)

The module control *n* register (MDCTL0-MDCTL39) is shown in [Figure 6-11](#) and described in [Table 6-15](#).

Figure 6-11. Module Control *n* Register (MDCTL*n*)



LEGEND: R/W = Read/Write; R = Read only; -*n* = value after reset

Table 6-15. Module Control *n* Register (MDCTL*n*) Field Descriptions

Bit	Field	Value	Description
31-11	Reserved	0	Reserved
10	EMUIHBIE	0 1	Interrupt enable for emulation alters module state. This bit applies to the DSP module only (module 39). Program this field to 0 for all other modules. Disable interrupt. Enable interrupt.
9	EMURSTIE	0 1	Interrupt enable for emulation alters reset. This bit applies to the DSP module only (module 39). Program this field to 0 for all other modules. Disable interrupt. Enable interrupt.
8	LRST	0 1	Module local reset control. This bit applies to the DSP module only (module 39). Program this field to 1 for all other modules. Assert local reset. De-assert local reset.
7-3	Reserved	0	Reserved
2-0	NEXT	0-7h 0 1h 2h 3h 4h-7h	Module next state. SwRstDisable state SyncReset state Disable state Enable state Reserved

Power Management

Topic	Page
7.1 Overview.....	78
7.2 PSC and PLLC Overview.....	78
7.3 Clock Management.....	79
7.4 DSP Sleep Mode Management.....	80
7.5 3.3 V I/O Power Down.....	81
7.6 Video DAC Power Down.....	81

7.1 Overview

In many applications, there may be specific requirements to minimize power consumption for both power supply (or battery) and thermal considerations. There are two components to power consumption: active power and leakage power. Active power is the power consumed to perform work and scales roughly with clock frequency and the amount of computations being performed. Active power can be reduced by controlling the clocks in such a way as to either operate at a clock setting just high enough to complete the required operation in the required timeline or to run at a clock setting until the work is complete and then drastically cut the clocks (that is, to PLL Bypass mode) until additional work must be performed. Leakage power is due to static current leakage and occurs regardless of the clock rate. Leakage, or standby power, is unavoidable while power is applied and scales roughly with the operating junction temperatures. Leakage power can only be avoided by removing power completely from a device or subsystem.

The TMS320DM643x DMP has several means of managing the power consumption, as detailed in the following sections. There is extensive use of automatic clock gating in the design as well as software-controlled module clock gating to not only reduce the clock tree power, but to also reduce module power by basically freezing its state while not operating. Clock management enables you to slow the clocks down on the chip in order to reduce switching power. In particular, the DM643x DMP includes all of the power management features described in [Table 7-1](#).

Table 7-1. Power Management Features

Power Management Features	Description
Clock Management	
PLL power-down	The PLLs can be powered-down when not in use to reduce switching power
Module clock ON/OFF	Module clocks can be turned on/off to reduce switching power
Module clock frequency scaling	Module clock frequency can be scaled to reduce switching power
DSP Sleep Management	
DSP sleep modes	The DSP can be put into sleep mode to reduce switching power
I/O Management	
3.3 Volt I/O power-down	The 3.3 V I/Os can be powered-down to reduce I/O cell power
DAC power-down	The DAC's can be powered-down to reduce DAC power

7.2 PSC and PLLC Overview

The power and sleep controller (PSC) plays an important role in managing system power on/off, clock on/off, and reset. Similarly, the PLL controller (PLLC) plays an important role in device clock generation. The PSC and the PLLC are mentioned throughout this chapter. For detailed information on the PSC, see [Chapter 6](#). For detailed information on the PLLC, see [Chapter 4](#) and [Chapter 5](#).

7.3 Clock Management

7.3.1 Module Clock ON/OFF

The module clock on/off feature allows software to disable clocks to module individually, in order to reduce the module's active power consumption to 0. The DM643x DMP is designed in full static CMOS; thus, when a module clock stops, the module's state is preserved. When the clock is restarted, the module resumes operating from the stopping point.

Note: Stopping clocks to a module only affects active power consumption, it does not affect leakage power consumption.

If a module's clock(s) is stopped while being accessed, the access may not occur, and could potentially lock-up the device. User must ensure that all of the transactions to the module are finished prior to stopping the clocks. The power and sleep controller (PSC) controls module clock gating. The PSC provides some protection against system hang by monitoring the internal bus activity—it only gates internal clock to the module after checking that there is no access to the module from the internal bus.

The procedure to turn module clocks on/off using the PSC is described in [Chapter 6](#). Furthermore, special consideration must be given to DSP clock on/off. The procedure to turn the DSP clock on/off is further described in [Section 7.4.2](#).

Some peripherals provide additional power saving features by clock gating components within its module boundary. See peripheral-specific user's guide for more details on these additional power saving features.

7.3.2 Module Clock Frequency Scaling

Module clock frequency is scalable by programming the PLL's multiply and divide parameters. Reducing the clock frequency reduces the active switching power consumption linearly with frequency. It has no impact on leakage power consumption.

[Chapter 4](#) and [Chapter 5](#) describe the how to program the PLL frequency and the frequency constraints.

7.3.3 PLL Bypass and Power Down

You can bypass the PLLs in the DM643x DMP. Bypassing the PLLs sends the PLL reference clock (MXI/CLKIN) instead of the PLL output (PLLOUT) to the SYSCLK dividers (PLLDIV n) of the PLLC. The PLL reference clock is typically at 27 MHz; therefore, you can use this mode to reduce the core and module clock frequencies to very low maintenance levels without using the PLL during periods of very low system activity. Furthermore, you can power-down the PLL when bypassing it to save additional active power.

[Chapter 4](#) and [Chapter 5](#) describe PLL bypass and PLL power down.

7.4 DSP Sleep Mode Management

The C64x+ DSP supports sleep mode management to reduce power:

- DSP clock can be completely shut off
- C64x+ Megamodule can be put in sleep mode
 - C64x+ CPU can be put in sleep mode

On the DM643x DMP, sleep mode for the DSP internal memories (L1P, L1D, L2) is not supported.

7.4.1 DSP Sleep Modes

The C64x+ Megamodule of the DSP subsystem includes a power-down controller (PDC) that controls the power-down of the C64x+ Megamodule components. Refer to [Section 2.4.2](#) and the *TMS320C64x+ DSP Megamodule Reference Guide (SPRU871)* for more details on the PDC.

7.4.2 DSP Module Clock ON/OFF

As discussed in [Section 7.4.1](#), the C64x+ Megamodule can clock gate its own components to save power. Additional power saving can be achieved by stopping the clock source to the C64x+ Megamodule by programming the power and sleep controller (PSC) to place the C64x+ Megamodule in Disable state. The C64x+ DSP cannot perform this programming task on its own, because the C64x+ DSP will not be able to complete the PSC programming sequence if the C64x+ DSP clock source is gated in the middle of the process. If stopping the clock source to the C64x+ DSP is desired for additional power saving, an external host is responsible for programming the PSC (for example, via HPI, PCI interfaces) to disable the C64x+ Megamodule. Similarly, in that case the external host is responsible for programming the PSC to enable the C64x+ Megamodule.

7.4.2.1 DSP Module Clock ON

In the clock Enable state, the DSP's module clock is enabled while DSP module reset is de-asserted. This is the state for normal DSP run-time. DSP defaults to Enable state, therefore this DSP Module Clock ON process is typically not needed. This process is only required to wake up the DSP after an external host puts the DSP in Disable state ([Section 7.4.2.2](#)).

- Host: Enable clocks to the DSP.
 - Wait for the GOSTAT[0] bit in PTSTAT to clear to 0. You must wait for the power domain to finish any previously initiated transitions before initiating a new transition.
 - Set the NEXT bit in MDCTL39 to 3h to prepare the DSP module for an enable transition.
 - Set the GO[0] bit in PTCMD to 1 to initiate the state transition.
 - Wait for the GOSTAT[0] bit in PTSTAT to clear to 0. The domain is only safely in the new state after the GOSTAT[0] bit is cleared to 0.
 - Wait for the STATE bit in MDSTAT39 to change to 3h. The module is only safely in the new state after the STATE bit in MDSTAT39 changes to reflect the new state.
- Host: Wake the DSP.
 - If transitioning from the disable state, trigger a DSP interrupt that has previously been configured as a wake-up interrupt.

Note: This step only applies if you are transitioning from the disable state. If previously in the disable state, a wake-up interrupt must be triggered in order to wake the DSP. This example assumes that the DSP enabled this interrupt before entering its IDLE state. If previously in the software reset disable or synchronous reset state, it is not necessary to wake the DSP because these states assert the DSP module reset. See [Chapter 10](#) for information on the software reset disable and synchronous reset states. See the *TMS320C64x+ DSP Megamodule Reference Guide (SPRU871)* for more information on DSP interrupts.

7.4.2.2 DSP Module Clock Off

In the clock Disable state, the DSP's module clock is disabled, while DSP reset remains de-asserted. This state is typically used to disable the DSP clock to save power. As mentioned in [Section 7.4.2](#), the DSP cannot put itself in Disable state. An external host is responsible for performing this task. For example, it can be an external host interfacing through the HPI or PCI peripheral.

- Host: Notify the DSP to prepare for power-down.
- DSP: Drain all existing operations and ensure there are no accesses to the C64x+ megamodule prior to DSP power-down.
 - Program the PSC to disable all master peripherals (except the Host) that are capable of initiating transfers to the C64x+ Megamodule.
 - Check EDMA transfer status to ensure there is no outstanding EDMA transfers that can access the C64x+ Megamodule.
- DSP: Prepare for power-down.
 - Set PDCCMD to 0001 5555h. PDCCMD is a control register in the DSP power-down controller module.

Note: This register can only be written while the DSP is in supervisor mode.

- Enable one of the interrupts that the host would like to use to wake the DSP in the DSP clock-on sequence.
- Execute the IDLE instruction. IDLE is a program instruction in the C64x+ CPU instruction set. When the CPU executes IDLE, the PDC is notified and initiates DSP power-down according to the bits that you set in the PDCCMD (0181 0000h) register. See the *TMS320C64x+ DSP Megamodule Reference Guide* ([SPRU871](#)) for more information on the PDC and the IDLE instruction.
- Host: Disable the DSP clock.
 - Wait for the GOSTAT[0] bit in PTSTAT to clear to 0. You must wait for the power domain to finish any previously initiated transitions before initiating a new transition.
 - Set the NEXT bit in MDCTL39 to 2h to prepare the DSP module for a disable transition.
 - Set the GO[0] bit in PTCMD to 1 to initiate the state transition.
 - Wait for the GOSTAT[0] bit in PTSTAT to clear to 0. The domain is only safely in the new state after the GOSTAT[0] bit is cleared to 0.
 - Wait for the STATE bit in MDSTAT39 to change to 2h. The module is only safely in the new state after the STATE bit in MDSTAT39 changes to reflect the new state.

7.5 3.3 V I/O Power Down

The 3.3 V I/O drivers are fabricated out of 1.8 V transistors with design techniques that require a DC bias current. These I/O cells have a power-down mode that turns off the DC current. The VDD3P3V_PWDN register of the System Module controls this standby mode. Refer to the device-specific data manual for more details on the VDD3P3V_PWDN register.

7.6 Video DAC Power Down

The DM643x DMP video processing back end (VPBE) includes four video digital-to-analog converters (DACs) to drive analog television displays. The Video Encoder (VENC) module of the VPBE includes registers for enabling/disabling the DACs. You can use the VIE bit in VMOD to force the analog output of the 4 DACs to a low level, regardless of the video signal. Furthermore, you can use the DAPD[3:0] bits in DACTST to disable each DAC independently. See the *TMS320DM643x DMP Video Processing Back End (VPBE) User's Guide* ([SPRU952](#)) for register descriptions and more detailed information on DAC power-down.

Interrupt Controller

The C64x+ Megamodule includes an interrupt controller (INTC) to manage CPU interrupts. The interrupt controller interfaces the system events to the CPU's interrupt and exception inputs. The interrupt controller supports up to 128 system events, and it maps these system events to the 12 CPU interrupts. See the device-specific data manual for the list of system events. The interrupt controller section of the *TMS320C64x+ DSP Megamodule Reference Guide* ([SPRU871](#)) fully describes the INTC and how it maps the DSP device events to the 12 CPU interrupts.

System Module

Topic	Page
9.1 Overview.....	86
9.2 Device Identification.....	86
9.3 Device Configuration.....	86
9.4 3.3 V I/O Power-Down Control.....	87
9.5 Peripheral Status and Control.....	87
9.6 Bandwidth Management.....	88
9.7 Boot Control.....	89

9.1 Overview

The TMS320DM643x DMP System Module is a system-level module containing status and top-level control logic required by the device. The System Module consists of a set of status and control registers, accessible by the DSP, supporting all of the following system features and operations:

- Device Identification
- Device Configuration
 - Pin multiplexing control
 - Device boot configuration status
- Power Management
 - V_{DD} 3.3 V I/O power-down control
- Special Peripheral Status and Control
 - Timer control
 - VPSS clock and DAC control
 - DDR2 VTP control
 - HPI control
- Bandwidth Management
 - Bus master DMA priority control
 - EDMA Transfer Channel configuration
- Boot Control

This chapter describes the System Module.

9.2 Device Identification

The DEVICE_ID register of the System Module contains a software readable version of the JTAG ID device. Software can use this register to determine the version of the device on which it is executing. The register format and description are shown in the device-specific data manual.

9.3 Device Configuration

The System Module contains registers for controlling pin multiplexing and registers that reflect the boot configuration status.

9.3.1 Pin Multiplexing Control

The DM643x DMP makes extensive use of pin multiplexing to accommodate the large number of peripheral functions in the smallest possible package. A combination of hardware configuration (configuration pins latched at device reset) and register program control (PINMUX0 and PINMUX1 registers) controls pin multiplexing to accomplish this. Hardware does not attempt to ensure that the proper pin multiplexing is selected for the peripherals or that interface mode is being used.

Detailed information about the pin multiplexing and control is covered in the device-specific data manual.

9.3.2 Device Boot Configuration Status

The device boot and configuration settings are latched at device reset ($\overline{\text{POR}}$ or $\overline{\text{RESET}}$), and captured in the BOOTCFG register. See the device-specific data manual for details on this register and the boot and configuration settings.

9.4 3.3 V I/O Power-Down Control

The VDD3P3V_PWDN register controls power to the 3.3 V I/O cells. Some 3.3 V I/Os default to power down for power saving. See device-specific data manual for the description of the VDD3P3V_PWDN register.

9.5 Peripheral Status and Control

Several of the DM643x DMP peripheral modules require additional system-level control logic. Those registers are discussed in this section.

9.5.1 Timer Control

The Timer control register (TIMERCTL) provides additional control for Timer 0 and Timer 2 (Watchdog Timer). See the device-specific data manual for details on this register.

9.5.2 VPSS Clock and DAC Control

Clocks for the video processing subsystem (VPSS) are controlled via the VPSS clock control register (VPSS_CLKCTL). See the device-specific data manual for details on this register.

9.5.3 DDR2 VTP Control

The DDR2 VTP Enable Register (DDRVTPER) is used along with other registers in the VTP IO buffer calibration process for the DDR2 memory controller. See the device-specific data manual for the location of this register. See the *TMS320DM643x DMP DDR2 Memory Controller User's Guide* ([SPRU986](#)) for more details on the VTP IO buffer calibration process.

9.5.4 HPI Control

The HPI Control Register (HPICTL) controls the host burst write time-out value for HPI operation. See the device-specific data manual for details on this register.

9.6 Bandwidth Management

9.6.1 Bus Master DMA Priority Control

In order to determine allowed connections between masters and slaves, each master request source must have a unique master ID (mstid) associated with it. The master ID for each DM643x DMP master is shown in [Table 9-1](#).

Table 9-1. TMS320DM643x DMP Master IDs

MSTID	Master
0-1	Reserved
2	DSP Program / Data
3	DSP CFG
4-7	Reserved
8	VPSS
9	Reserved
10	EDMA Channel Controller
11-15	Reserved
16	EDMA Channel 0 read
17	EDMA Channel 0 write
18	EDMA Channel 1 read
19	EDMA Channel 1 write
20	EDMA Channel 2 read
21	EDMA Channel 2 write
22-31	Reserved
32	EMAC
33-35	Reserved
36	VLYNQ
37	HPI
38	PCI
39-63	Reserved

Each switched central resource (SCR) performs prioritization based on the priority level of the master that sends the command. Each bus master's priority is programmed in the chip-level Bus Master Priority Control Registers (MSTPRI0 or MSTPRI1). The default priority level for each bus master is shown in [Table 9-2](#). Application software is expected to modify these values to obtain the desired system performance.

Table 9-2. TMS320DM643x DMP Default Master Priorities

Master	Default Priority
VPSS	0 ⁽¹⁾
EDMA Ch 0	0 ⁽²⁾
EDMA Ch 1	0 ⁽²⁾
EDMA Ch 2	0 ⁽²⁾
DSP (DMA)	7 ⁽³⁾
DSP (CFG)	1
EMAC	4
VLYNQ	4
PCI	4

- (1) Default value in VPSS PCR register
 (2) Default value in EDMA QUEPRI register
 (3) Default value in DSP MDMAARBE.PRI field

9.6.2 EDMA Transfer Controller Configuration

The EDMA transfer controller default burst size configuration register (EDMATCCFG) in the System module configures the default burst size for the EDMA transfer controllers (EDMATC0, EDMATC1, and EDMATC2). Refer to the device-specific data manual for more information on this register.

9.7 Boot Control

The System Module contains the following boot control registers:

- Device Boot Configuration Register (BOOTCFG)
- Boot Complete Register (BOOTCMPLT)
- DSP Boot Address Register (DSPBOOTADDR)

See [Chapter 11](#) and the device-specific data manual for descriptions of these registers.

Reset

Topic	Page
10.1 Overview.....	92
10.2 Reset Pins.....	92
10.3 Device Configurations at Reset.....	92
10.4 DSP Reset.....	93

10.1 Overview

There are different types of reset in the TMS320DM643x DMP. The types of reset differ by how they are initiated and/or by their effect on the chip. Each type is briefly described in [Table 10-1](#). Refer to the device-specific data manual for more details on each of the reset types.

Table 10-1. Reset Types

Type	Initiator	Effect
POR (Power-On-Reset)	$\overline{\text{POR}}$ pin low	Total reset of the chip (cold reset). Resets all modules including memory, emulation logic. The power-on reset ($\overline{\text{POR}}$) pin must be driven low during power ramp of the device. Device boot and configuration pins are latched.
Warm Reset	$\overline{\text{RESET}}$ pin low	Resets all modules including memory, except emulation logic. Emulator stays alive during warm reset. Device boot and configuration pins are latched.
Max Reset	DSP emulator or Watchdog Timer (Timer 2).	Same effect as warm reset, except the device boot and configuration pins are not re-latched.
Module/Peripheral Local Reset	DSP or external host software	Independently resets a specific module. Module reset is intended as a debug tool, not necessarily as a tool to use in production.
DSP Local Reset	External host software	Resets the DSP CPU. DSP internal memories (L1P, L1D, and L2) are not reset.

10.2 Reset Pins

There are two device-level global reset pins on the DM6437 DMP: Power-On-Reset ($\overline{\text{POR}}$) and warm reset ($\overline{\text{RESET}}$). See device-specific data manual for more details on these reset pins.

10.3 Device Configurations at Reset

Upon $\overline{\text{POR}}$ and warm reset, the DM6437 DMP latches the values from the boot and configuration pins. Refer to device-specific data manual for the list of boot and configuration pins, and the device's default states.

10.4 DSP Reset

Note: The effects of DSP local reset and DSP module reset have not been fully validated; therefore, these resets are not supported and should not be used. Instead, the $\overline{\text{POR}}$ or $\overline{\text{RESET}}$ pins should be used to reset the entire DSP.

With access to the power and sleep controller (PSC) registers, the external host (for example, PCI or HPI) can assert and de-assert DSP local reset and DSP module reset. When DSP local reset is asserted, the DSP's internal memories (L1P, L1D, and L2) are still accessible. Local reset only resets the DSP CPU. Local reset is useful when the DSP module is in the enable or disable states, since module reset is asserted in the SyncReset and SwRstDisable states and module reset supersedes local reset. The intent of DSP module reset is for the external host to completely reset the DSP. The intent of DSP local reset is to allow the external host to hold the CPU in reset while the host is loading code into the DSP internal memory—this step can be useful after the host puts the DSP in module reset and then subsequently enables the DSP. For more information on the PSC, see [Chapter 6](#). This section describes how to initiate DSP local reset and module reset.

10.4.1 DSP Local Reset

The following steps describe how an external host can assert/de-assert local reset to the DSP:

1. Clear the LRST bit in MDCTL39 to 0 to assert DSP reset.
2. Set the LRST bit in MDCTL39 to 1 to de-assert DSP reset.

10.4.2 DSP Module Reset

The external host may program the PSC to assert DSP module reset by placing the DSP in either Software Reset Disable (SwRstDisable) state or Synchronous Reset (SyncReset) state. See [Chapter 6](#) for descriptions of these PSC states.

10.4.2.1 Software Reset Disable (SwRstDisable)

In the software reset disable (SwRstDisable) state, the DSP's module reset is asserted and its module clock is turned off. You can use this state to reset the DSP. The following steps describe how to put the DSP in the software reset disable state:

- Host: Notify the DSP to prepare for power-down.
- DSP: Put the DSP in the IDLE state.
 - Set PDCCMD to 0001 5555h. PDCCMD is a control register in the DSP power-down controller module.

Note: This register can only be written while the DSP is in its supervisor mode.

- Execute the IDLE instruction if the DSP is in the enable state. IDLE is a program instruction in the C64x+ CPU instruction set. When the CPU executes IDLE, the PDC is notified and will initiate the DSP power-down according to the bits that you set in the PDCCMD (0181 0000h) register. See the *TMS320C64x+ DSP Megamodule Reference Guide* ([SPRU871](#)) for more information on the PDC and the IDLE instruction.
- Host: Software reset disable DSP.
 - Wait for the GOSTAT[0] bit in PTSTAT to clear to 0. You must wait for the power domain to finish any previously initiated transitions before initiating a new transition.
 - Clear the NEXT bit in MDCTL39 to 0 to prepare the DSP module for a SwRstDisable transition.
 - Set the GO[0] bit in PTCMD to 1 to initiate the state transition.
 - Wait for GOSTAT[0] bit in PTSTAT to clear to 0. The module is safely in the new state only after the GOSTAT[0] bit is cleared to 0.

- Host: Assert the DSP local reset (Optional)
- Clear the LRST bit in MDCTL39 to 0. This step is optional. This step asserts the DSP local reset, and is included here so that the DSP does not start running immediately upon it is subsequently enable by the host. Typically, the host only de-asserts local reset to the DSP after it makes sure that code is properly loaded.

10.4.2.2 Synchronous Reset (SyncReset)

In the synchronous reset (SyncReset) state, the DSP's module reset is asserted and its module clock is enabled. You can use this state to reset the DSP. The following steps describe how to put the DSP in the synchronous reset state:

- Host: Notify the DSP to prepare for power-down.
- DSP: Put the DSP in the IDLE state.
 - Set PDCCMD to 0001 5555h. PDCCMD is a control register in the DSP power-down controller module.

Note: This register can only be written while the DSP is in supervisor mode.

- Execute the IDLE instruction.
- Host: Sync reset DSP
 - Wait for the GOSTAT[0] bit in PTSTAT to clear to 0. You must wait for the power domain to finish any previously initiated transitions before initiating a new transition.
 - Set the NEXT bit in MDCTL39 to 1 to prepare the DSP module for a SyncReset transition.
 - Set the GO[0] bit in PTCMD to 1 to initiate the state transition.
 - Wait for the GOSTAT[0] bit in PTSTAT to clear to 0. The module is safely in the new state only after the GOSTAT[0] bit is cleared to 0.
- Host: Assert DSP local reset (Optional)
 - Clear the LRST bit in MDCTL39 to 0. This step is optional. This step asserts the DSP local reset and is included here so that the DSP does not start running immediately upon it is subsequently enabled by the host. Typically, software de-asserts local reset to the DSP after it makes sure that code is properly loaded.

Boot Modes

The TMS320DM643x DMP can boot from either asynchronous EMIF/NOR Flash directly or from internal boot ROM, as determined by the setting of the device boot and configuration pins. The input states of the boot and configuration pins are sampled and latched into the BOOTCFG register when device reset is deasserted. Refer to the device-specific data manual for the list of boot and configuration pins and a list of boot modes supported on the DM643x DMP.

In all boot modes, the C64x+ CPU is immediately released from reset and begins executing from one of the two possible addresses:

- EMIFA Chip Select Space 2 (4200 0000h)
- Internal Boot ROM (0010 0000h)

For the boot modes that start at the internal boot ROM, the ROM Boot Loader (RBL) software is responsible for completing the boot sequence. See *Using the TMS320DM643x Bootloader* ([SPRAAG0](#)) for more details on the ROM Boot Loader.

Revision History

[Table A-1](#) lists the changes made since the previous version of this document.

Table A-1. Document Revision History

Reference	Additions/Modifications/Deletions
Figure 6-1	Added Note.
Section 6.3	Added Note.
Section 10.4	Added Note.

IMPORTANT NOTICE

Texas Instruments Incorporated and its subsidiaries (TI) reserve the right to make corrections, modifications, enhancements, improvements, and other changes to its products and services at any time and to discontinue any product or service without notice. Customers should obtain the latest relevant information before placing orders and should verify that such information is current and complete. All products are sold subject to TI's terms and conditions of sale supplied at the time of order acknowledgment.

TI warrants performance of its hardware products to the specifications applicable at the time of sale in accordance with TI's standard warranty. Testing and other quality control techniques are used to the extent TI deems necessary to support this warranty. Except where mandated by government requirements, testing of all parameters of each product is not necessarily performed.

TI assumes no liability for applications assistance or customer product design. Customers are responsible for their products and applications using TI components. To minimize the risks associated with customer products and applications, customers should provide adequate design and operating safeguards.

TI does not warrant or represent that any license, either express or implied, is granted under any TI patent right, copyright, mask work right, or other TI intellectual property right relating to any combination, machine, or process in which TI products or services are used. Information published by TI regarding third-party products or services does not constitute a license from TI to use such products or services or a warranty or endorsement thereof. Use of such information may require a license from a third party under the patents or other intellectual property of the third party, or a license from TI under the patents or other intellectual property of TI.

Reproduction of TI information in TI data books or data sheets is permissible only if reproduction is without alteration and is accompanied by all associated warranties, conditions, limitations, and notices. Reproduction of this information with alteration is an unfair and deceptive business practice. TI is not responsible or liable for such altered documentation. Information of third parties may be subject to additional restrictions.

Resale of TI products or services with statements different from or beyond the parameters stated by TI for that product or service voids all express and any implied warranties for the associated TI product or service and is an unfair and deceptive business practice. TI is not responsible or liable for any such statements.

TI products are not authorized for use in safety-critical applications (such as life support) where a failure of the TI product would reasonably be expected to cause severe personal injury or death, unless officers of the parties have executed an agreement specifically governing such use. Buyers represent that they have all necessary expertise in the safety and regulatory ramifications of their applications, and acknowledge and agree that they are solely responsible for all legal, regulatory and safety-related requirements concerning their products and any use of TI products in such safety-critical applications, notwithstanding any applications-related information or support that may be provided by TI. Further, Buyers must fully indemnify TI and its representatives against any damages arising out of the use of TI products in such safety-critical applications.

TI products are neither designed nor intended for use in military/aerospace applications or environments unless the TI products are specifically designated by TI as military-grade or "enhanced plastic." Only products designated by TI as military-grade meet military specifications. Buyers acknowledge and agree that any such use of TI products which TI has not designated as military-grade is solely at the Buyer's risk, and that they are solely responsible for compliance with all legal and regulatory requirements in connection with such use.

TI products are neither designed nor intended for use in automotive applications or environments unless the specific TI products are designated by TI as compliant with ISO/TS 16949 requirements. Buyers acknowledge and agree that, if they use any non-designated products in automotive applications, TI will not be responsible for any failure to meet such requirements.

Following are URLs where you can obtain information on other Texas Instruments products and application solutions:

Products

Amplifiers	amplifier.ti.com
Data Converters	dataconverter.ti.com
DSP	dsp.ti.com
Clocks and Timers	www.ti.com/clocks
Interface	interface.ti.com
Logic	logic.ti.com
Power Mgmt	power.ti.com
Microcontrollers	microcontroller.ti.com
RFID	www.ti-rfid.com
RF/IF and ZigBee® Solutions	www.ti.com/lprf

Applications

Audio	www.ti.com/audio
Automotive	www.ti.com/automotive
Broadband	www.ti.com/broadband
Digital Control	www.ti.com/digitalcontrol
Medical	www.ti.com/medical
Military	www.ti.com/military
Optical Networking	www.ti.com/opticalnetwork
Security	www.ti.com/security
Telephony	www.ti.com/telephony
Video & Imaging	www.ti.com/video
Wireless	www.ti.com/wireless

Mailing Address: Texas Instruments, Post Office Box 655303, Dallas, Texas 75265
Copyright © 2008, Texas Instruments Incorporated

Free Manuals Download Website

<http://myh66.com>

<http://usermanuals.us>

<http://www.somanuals.com>

<http://www.4manuals.cc>

<http://www.manual-lib.com>

<http://www.404manual.com>

<http://www.luxmanual.com>

<http://aubethermostatmanual.com>

Golf course search by state

<http://golfingnear.com>

Email search by domain

<http://emailbydomain.com>

Auto manuals search

<http://auto.somanuals.com>

TV manuals search

<http://tv.somanuals.com>