

TAS5010-5112F2EVM

***Evaluation Module for the TAS5010 Digital
Audio PWM Processor and the TAS5112ADFD
Digital Audio PWM Power Output Stage***

User's Guide

IMPORTANT NOTICE

Texas Instruments Incorporated and its subsidiaries (TI) reserve the right to make corrections, modifications, enhancements, improvements, and other changes to its products and services at any time and to discontinue any product or service without notice. Customers should obtain the latest relevant information before placing orders and should verify that such information is current and complete. All products are sold subject to TI's terms and conditions of sale supplied at the time of order acknowledgment.

TI warrants performance of its hardware products to the specifications applicable at the time of sale in accordance with TI's standard warranty. Testing and other quality control techniques are used to the extent TI deems necessary to support this warranty. Except where mandated by government requirements, testing of all parameters of each product is not necessarily performed.

TI assumes no liability for applications assistance or customer product design. Customers are responsible for their products and applications using TI components. To minimize the risks associated with customer products and applications, customers should provide adequate design and operating safeguards.

TI does not warrant or represent that any license, either express or implied, is granted under any TI patent right, copyright, mask work right, or other TI intellectual property right relating to any combination, machine, or process in which TI products or services are used. Information published by TI regarding third-party products or services does not constitute a license from TI to use such products or services or a warranty or endorsement thereof. Use of such information may require a license from a third party under the patents or other intellectual property of the third party, or a license from TI under the patents or other intellectual property of TI.

Reproduction of information in TI data books or data sheets is permissible only if reproduction is without alteration and is accompanied by all associated warranties, conditions, limitations, and notices. Reproduction of this information with alteration is an unfair and deceptive business practice. TI is not responsible or liable for such altered documentation.

Resale of TI products or services with statements different from or beyond the parameters stated by TI for that product or service voids all express and any implied warranties for the associated TI product or service and is an unfair and deceptive business practice. TI is not responsible or liable for any such statements.

Following are URLs where you can obtain information on other Texas Instruments products and application solutions:

Products		Applications	
Amplifiers	amplifier.ti.com	Audio	www.ti.com/audio
Data Converters	dataconverter.ti.com	Automotive	www.ti.com/automotive
DSP	dsp.ti.com	Broadband	www.ti.com/broadband
Interface	interface.ti.com	Digital Control	www.ti.com/digitalcontrol
Logic	logic.ti.com	Military	www.ti.com/military
Power Mgmt	power.ti.com	Optical Networking	www.ti.com/opticalnetwork
Microcontrollers	microcontroller.ti.com	Security	www.ti.com/security
		Telephony	www.ti.com/telephony
		Video & Imaging	www.ti.com/video
		Wireless	www.ti.com/wireless

Mailing Address: Texas Instruments
Post Office Box 655303 Dallas, Texas 75265

Copyright © 2004, Texas Instruments Incorporated

EVM IMPORTANT NOTICE

Texas Instruments (TI) provides the enclosed product(s) under the following conditions:

This evaluation kit being sold by TI is intended for use for **ENGINEERING DEVELOPMENT OR EVALUATION PURPOSES ONLY** and is not considered by TI to be fit for commercial use. As such, the goods being provided may not be complete in terms of required design-, marketing-, and/or manufacturing-related protective considerations, including product safety measures typically found in the end product incorporating the goods. As a prototype, this product does not fall within the scope of the European Union directive on electromagnetic compatibility and therefore may not meet the technical requirements of the directive.

Should this evaluation kit not meet the specifications indicated in the EVM User's Guide, the kit may be returned within 30 days from the date of delivery for a full refund. **THE FOREGOING WARRANTY IS THE EXCLUSIVE WARRANTY MADE BY SELLER TO BUYER AND IS IN LIEU OF ALL OTHER WARRANTIES, EXPRESSED, IMPLIED, OR STATUTORY, INCLUDING ANY WARRANTY OF MERCHANTABILITY OR FITNESS FOR ANY PARTICULAR PURPOSE.**

The user assumes all responsibility and liability for proper and safe handling of the goods. Further, the user indemnifies TI from all claims arising from the handling or use of the goods. Please be aware that the products received may not be regulatory compliant or agency certified (FCC, UL, CE, etc.). Due to the open construction of the product, it is the user's responsibility to take any and all appropriate precautions with regard to electrostatic discharge.

EXCEPT TO THE EXTENT OF THE INDEMNITY SET FORTH ABOVE, NEITHER PARTY SHALL BE LIABLE TO THE OTHER FOR ANY INDIRECT, SPECIAL, INCIDENTAL, OR CONSEQUENTIAL DAMAGES.

TI currently deals with a variety of customers for products, and therefore our arrangement with the user **is not exclusive**.

TI assumes **no liability for applications assistance, customer product design, software performance, or infringement of patents or services described herein**.

Please read the EVM User's Guide and, specifically, the EVM Warnings and Restrictions notice in the EVM User's Guide prior to handling the product. This notice contains important safety information about temperatures and voltages. For further safety concerns, please contact the TI application engineer.

Persons handling the product must have electronics training and observe good laboratory practice standards.

No license is granted under any patent right or other intellectual property right of TI covering or relating to any machine, process, or combination in which such TI products or services might be or are used.

Mailing Address:

Texas Instruments
Post Office Box 655303
Dallas, Texas 75265

Copyright © 2004, Texas Instruments Incorporated

EVM WARNINGS AND RESTRICTIONS

It is important to operate this EVM within the input voltage range of 0 V to 29.5 V for the output stage and 15 V to 20 V for the system supply.

Exceeding the specified input range may cause unexpected operation and/or irreversible damage to the EVM. If there are questions concerning the input range, please contact a TI field representative prior to connecting the input power.

Applying loads outside of the specified output range may result in unintended operation and/or possible permanent damage to the EVM. Please consult the EVM User's Guide prior to connecting any load to the EVM output. If there is uncertainty as to the load specification, please contact a TI field representative.

During normal operation, some circuit components may have case temperatures greater than 60°C. The EVM is designed to operate properly with certain components above 60°C as long as the input and output ranges are maintained. These components include but are not limited to linear regulators, switching transistors, pass transistors, and current sense resistors. These types of devices can be identified using the EVM schematic located in the EVM User's Guide. When placing measurement probes near these devices during operation, please be aware that these devices may be very warm to the touch.

Mailing Address:

Texas Instruments
Post Office Box 655303
Dallas, Texas 75265

Copyright © 2004, Texas Instruments Incorporated

Read This First

About This Manual

This manual describes the operation of the TAS5010–5112F2EVM evaluation module from Texas Instruments.

How to Use This Manual

This document contains the following chapters:

- Chapter 1 – Overview
- Chapter 2 – Detailed Description of the EVM Board
- Chapter 3 – EVM Board Operation
- Chapter 4 – Hints for Measurements of Performance

Information About Cautions and Warnings

This book may contain cautions and warnings.

This is an example of a caution statement.

A caution statement describes a situation that could potentially damage your software or equipment.

This is an example of a warning statement.

A warning statement describes a situation that could potentially cause harm to you.

The information in a caution or a warning is provided for your protection. Please read each caution and warning carefully.

Related Documentation From Texas Instruments

The following table contains a list of data manuals that have detailed descriptions of the integrated circuits used in the design of the TAS5010–5112F2EVM. The data manuals can be obtained at the URL <http://www.ti.com>.

Part Number	Literature Number
TAS5010PFB	SLAS328
TAS5112ADFD	SLES094
TAS3002PFB	SLAS307
DIR1703E	SLES007
LMV331IDBVR	SLCS136
TPS3705–33DGN	SLVS184
SN74LVC2GU04DBVR	SCES197
SN74LVC2G14DBVR	SCES200
SN74LVC2G08DCTR	SCES198
SN74LVC1G02DBVR	SCES213
SN74LVC1G32DBVR	SCES219
SN74LV21APWR	SCES340

Additional TAS5010–5112F2EVM Documentation

- DCT Software and User's Guide for Controlling the TAS3002
- TAS5010–5112F2EVM Application Report (SLEA036)
- Data Manuals

FCC Warning

This equipment is intended for use in a laboratory test environment only. It generates, uses, and can radiate radio frequency energy and has not been tested for compliance with the limits of computing devices pursuant to subpart J of part 15 of FCC rules, which are designed to provide reasonable protection against radio frequency interference. Operation of this equipment in other environments may cause interference with radio communications, in which case the user at his own expense will be required to take whatever measures may be required to correct this interference.

Trademarks

Equibit™ and PurePath Digital™ are trademarks of Texas Instruments.

Contents

1	Introduction	1-1
1.1	TAS5010–5112F2EVM Features	1-2
2	Detailed Description of the EVM	2-1
2.1	Board Overview	2-2
2.2	Description of Jumper Settings	2-3
2.2.1	Double-Speed Control (JMP120)	2-3
2.2.2	Enable/Disable S/PDIF–MUTE (JMP130)	2-3
2.2.3	Bypassing Equalizer Functions in the Digital Audio Processor (JMP360)	2-3
2.3	Default Jumper Positions	2-4
2.4	Description of Connectors	2-4
2.4.1	S/PDIF Digital Audio Coaxial/RCA Input (J100)	2-4
2.4.2	S/PDIF Optical (J101)	2-4
2.4.3	Analog input (J160) and Analog Output (J170)	2-4
2.4.4	PC and I ² C Interface (J300)	2-5
2.4.5	Loudspeaker Connectors (J540, J541, J580, and J581)	2-6
2.4.6	Power Supply Connector	2-6
2.5	Description of Switches and Buttons	2-7
2.5.1	S/PDIF Input Selector Switch (S100)	2-7
2.5.2	Bypass Digital Audio Processor Switch (S320)	2-7
2.5.3	Reset Board Button (S620)	2-7
2.5.4	Mute Button (S240)	2-7
2.5.5	Volume Control (S340 and S341)	2-7
2.6	Description of Indicators	2-8
2.6.1	Power LED (LED223)	2-8
2.6.2	No S/PDIF Input LED (LED222)	2-8
2.6.3	Temperature Warning LED (LED221)	2-8
2.6.4	Protection Mode LED (LED220)	2-8
3	EVM Board Operation	3-1
3.1	Power Supply	3-2
3.1.1	Power the EVM by One Power Supply	3-2
3.1.2	Power the EVM With Two Power Supplies	3-2
3.2	Setup the TAS5010–5112F2EVM With the S/PDIF Input	3-3
3.2.1	Start-up Sequence	3-4
3.3	Setup the TAS5010–5112F2EVM With the Analog Line Input	3-4
3.4	Interfacing the Analog Line Output	3-4
3.5	Controlling the DAP With PC Software	3-4
4	Hints for Measurement of Performance	4-1

Figures

1-1	Simplified TAS5010-5112F2EVM Block Diagram	1-2
2-1	Board Outline With Connectors, Switches, Jumpers, and Indicators	2-2
2-2	Physical Structure for the TAS5010-5112F2EVM	2-2
2-3	Default Jumper Positions	2-4
2-4	Pin Numbers at the Line Input/Output Connector (Top View)	2-4
2-5	Pin Numbers at the Parallel Port/I ² C Interface/I ² C (J300)	2-5
2-6	Pin Numbers at PSU Connector (Top View)	2-6
3-1	Recommended Power-Up and Power-Down Sequence	3-2
3-2	EVM Board Connected to S/PDIF Sources and Personal Computer	3-3

Tables

2-1	Description of J160 and J170	2-5
2-2	Description of J300	2-5
2-3	Description of Loudspeaker Connectors	2-6
2-4	Description of PSU Connector	2-6
3-1	Maximum Supply Voltage (Single Supply)	3-2
3-2	Maximum H-bridge Voltage vs Load Impedance	3-2

Introduction

The TAS5010–5112F2EVM PurePath Digital™ customer evaluation module demonstrates two integrated circuits, the TAS5010 and TAS5112ADFD from Texas Instruments. The TAS5010 is a high performance 24-bit stereo digital modulator based on Equibit™ technology. This IC converts input PCM serial digital audio data to a pulse width modulated (PWM) audio data stream. The TAS5010 PWM modulator accepts I²S data with a sample rate up to 192 kHz. The TAS5010 is designed for implementation together with the TAS5112ADFD digital output stage for driving two loudspeakers in a stereo application.

The TAS5010 is pin compatible with the TAS5001 PCM–PWM modulator. The maximum sample rate for the TAS5001 is 96 kHz.

Together, the TAS5010 and one TAS5112ADFD provide the complete PurePath Digital™ conversion of a 3.3-V digital audio input stream up to 2x50 W into 6-Ω loudspeakers. The chipset is ideal for applications requiring excellent audio quality, minimum size and weight, and high power efficiency. The chipset can be used in a range of products such as micro-components systems, home theater in a box, DVD receivers, or TV sets.

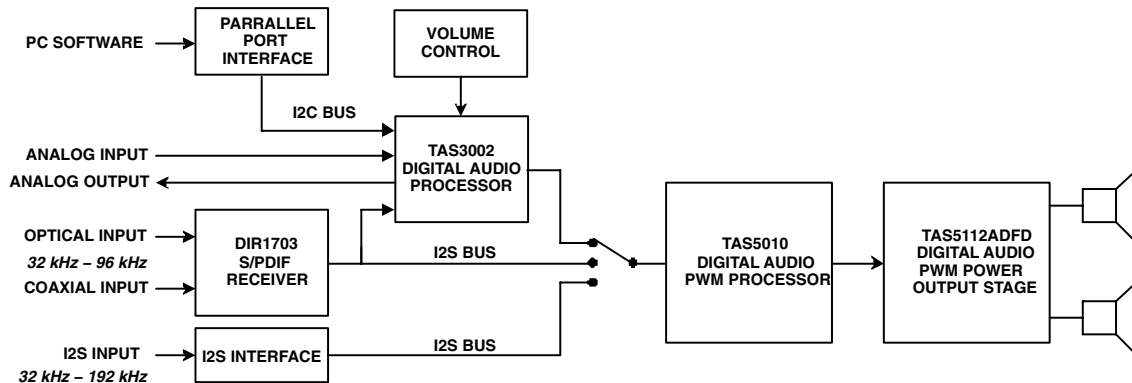
The TAS5010–5112F2EVM is a complete true digital amplifier including an S/DIF receiver, I²S audio interface, volume control, interface to personal computer through the parallel port, and required control logic. The amplifier reference design is surrounded by a white line on the PCB.

Topic	Page
1.1 TAS5010–5112F2EVM Features	1-2

1.1 TAS5010–5112F2EVM Features

- PurePath Digital™ reference design (double-sided plated-through PCB layout)
- S/PDIF receiver with coaxial and optical input (sampling rate = 32 kHz – 192 kHz)
- I²S audio interface (sampling rate: 32 kHz – 96 kHz)
- On-board volume control
- Auto-mute function
- Self-contained short circuit and temperature protection system
- Digital audio processor (DAP), which include 24-bit volume control, digital gain, bass and treble control, parametric equalization, dedicated speaker equalization, loudness control, and adjustable dynamic range compression/expansion.
- DAP control through PC software (DCT software from Texas Instruments)
- Default DAP settings is downloaded to an EEPROM with the DCT software
- Analog line input (use internal analog-to-digital converter in DAP)
- Analog line output (use internal digital-to-analog converter in DAP)

Figure 1–1. Simplified TAS5010–5112F2EVM Block Diagram



The DIR1703 IC from Texas Instruments/Burr-Brown is used as S/PDIF receiver and system clock generator. This product is a digital audio interface receiver (DIR) that receives and decodes audio data up to 96-kHz sampling rate. DIR1703 is running in a configuration where it automatically switches between PLL mode and crystal mode. When the DIR1703 is connected to an active digital source, it is running in PLL-mode. The system clock (SCKO) frequency depends on the incoming sampling rate (fs): $SCKO = 256 \times fs$. When no digital source is represented, the DIR1703 switches to crystal mode. The system clock frequency in crystal mode depends on the external crystal connected to the DIR1703 receiver. On the TAS5010–5112F2EVM board, the crystal-mode system clock is 12.288 MHz.

Crystal-mode operation is used to generate a fixed clock when the TAS5010–5112F2EVM board is connected to an analog source. The external anti-aliasing filter for the A/D converter is optimized to 48-kHz sampling rates.

The TAS3002 IC from Texas Instruments is used as digital audio processor (DAP). All features in the DAP can be controlled through the I²S interface. Adjustment of the sound level can be executed through the I²C bus and with two push buttons on the EVM board.

During power up, the TAS3002 settings and coefficients are loaded from an external serial EEPROM. The TAS3002 coefficients control all features in the DAP. Customized start up settings can be downloaded to the EEPROM. This operation is easy to execute with a personal computer, DCT software, and a cable between TAS5010–5112F2EVM and the computer. The TAS5010–5112F2EVM is connected to the LPT port at the computer.



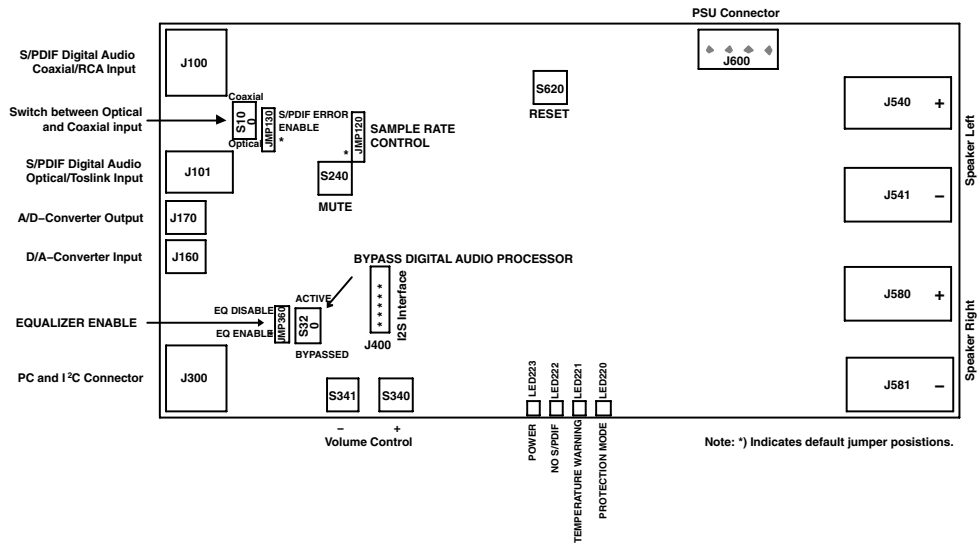
Detailed Description of the EVM

This chapter describes the TAS5010–5112F2EVM board in regards to board layout, jumpers, switches, buttons, and connectors.

Topic	Page
2.1 Board Overview	2-2
2.2 Description of Jumper Settings	2-3
2.3 Default Jumper Positions	2-4
2.4 Description of Connectors	2-4
2.5 Description of Switches and Buttons	2-7
2.6 Description of Indicators	2-8

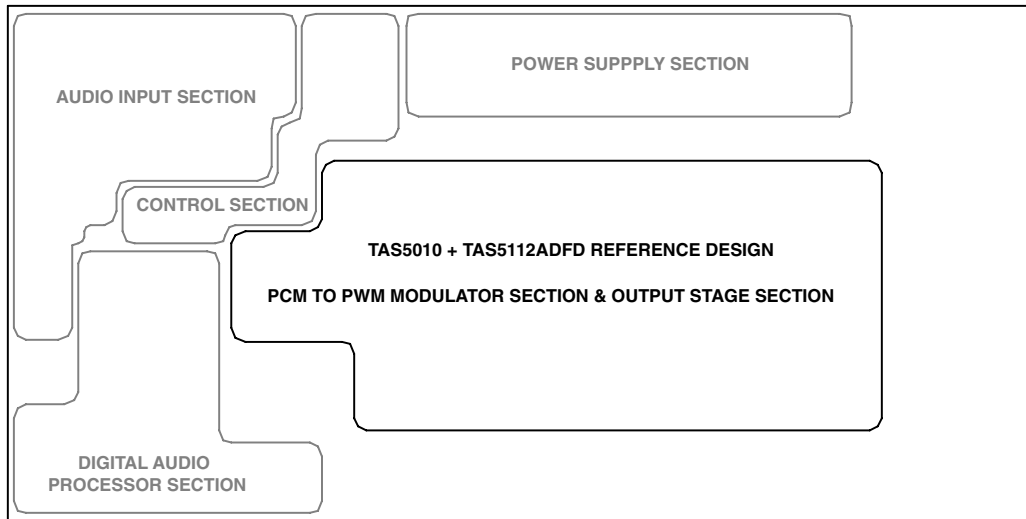
2.1 Board Overview

Figure 2–1. Board Outline With Connectors, Switches, Jumpers, and Indicators



The physical structure for the TAS5010–5112F2EVM is illustrated in Figure 2–2. Block headings refer to page headings in the TAS5010–5112F2EVM schematic.

Figure 2–2. Physical Structure for the TAS5010–5112F2EVM



2.2 Description of Jumper Settings

There are three jumpers on the EVM board (J400 is an I²S interface)

2.2.1 Double-Speed Control (JMP120)

JMP120 is used to set the double-speed pin at TAS5010 (DBSPD, pin 39). The TAS5010 is operating in single-speed mode if the DBSPD pin is asserted low and in double-speed if it is asserted high. Single-speed is required for sampling rate at 32 kHz, 44.1 kHz, 48 kHz, and double-speed for 88-kHz and 96-kHz sampling rate.

The S/PDIF receiver automatically controls the DBSPD pin if JMP120 shunts pin 1 and 2 (default setting). If JMP120 shunts pin 2 and 3, the TAS5010 is in single-speed mode. If JMP120 shunts pin 3 and 4, the TAS5010 is in double speed mode.

2.2.2 Enable/Disable S/PDIF-MUTE (JMP130)

JMP130 is used to disable the S/PDIF-MUTE signal (S/PDIF-MUTE = (DIR1703-UNLOCK + DIR1703-ADFLG)). The DIR1703-UNLOCK signal is high until the PLL in DIR1703 detects and locks on an incoming digital signal. The ADFLG signal is high when the S/PDIF data does not include a PCM audio signal.

The S/PDIF-MUTE signal is used to shutdown the output stage (the H-bridge stop switching). To obtain click and pop reduced shutdown it is necessary to mute the output stage before Reset on TAS5010 is asserted low.

When the EVM board is connected to an analog source or to a digital source through the I²S interface, it is necessary to disable the UNLOCK warning. This is done with the JMP130 jumper. When JMP130 shunts pin 1 and 2 the UNLOCK warning is enabled (default setting). The warning signal is disabled if JMP130 shunts pin 2 and 3.

2.2.3 Bypassing Equalizer Functions in the Digital Audio Processor (JMP360)

JMP360 is used to disable the equalizer function in the DAP. The equalizer function is enabled if JMP360 shunts pin 1 and 2. The equalizer is disabled when JMP360 shunts pin 2 and 3.

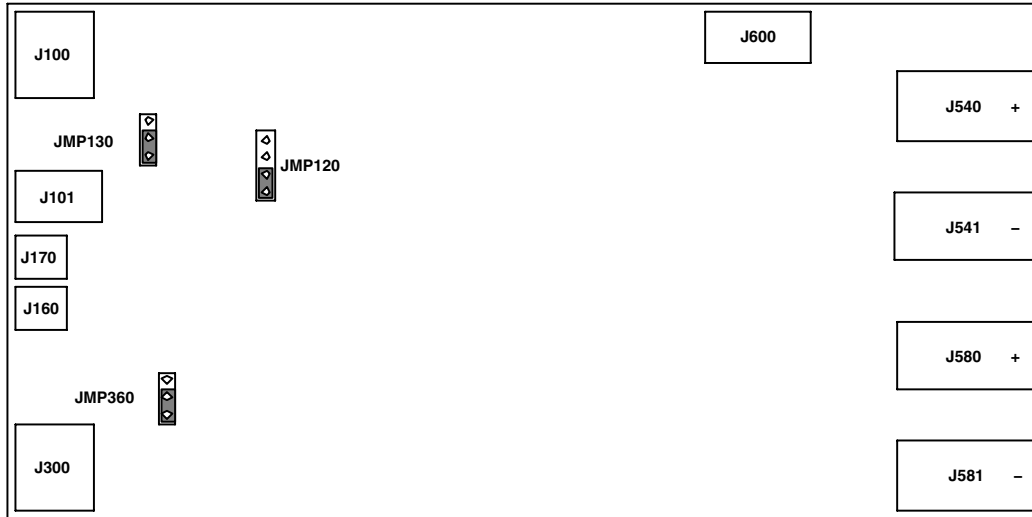
Note:

Bass and treble are flat when the equalizer is bypassed.

2.3 Default Jumper Positions

Default jumper positions are marked with a grey rectangle in Figure 2–3.

Figure 2–3. Default Jumper Positions



2.4 Description of Connectors

2.4.1 S/PDIF Digital Audio Coaxial/RCA Input (J100)

The RCA connector can be connected to a digital S/PDIF source through a coaxial cable with 75-Ω characteristic impedance (e.g., RG59 cable). The highest sampling rate supported for this input is 96 kHz.

2.4.2 S/PDIF Optical (J101)

The Toslink connector can be connected to a digital S/PDIF signal through an optical cable. The highest sampling rate supported for this input is 96 kHz.

2.4.3 Analog input (J160) and Analog Output (J170)

Analog sources can be connected to the A/D converter through J160. The analog line input is optimized for an input signal with a maximum voltage at 2.1 V_{RMS}.

Analog output from the digital audio processor is available at P170. Maximum output level is 0.7 V_{RMS}. Pin numbers for J170 is equal to numbers at J160

Figure 2–4. Pin Numbers at the Line Input/Output Connector (Top View)

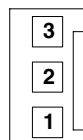


Table 2–1. Description of J160 and J170

Pin No.	Description
Analog Input Connector (J160)	
1	Left Channel Input
2	Ground
3	Right Channel Input
Analog Output Connector (J170)	
1	Left Channel output
2	Ground
3	Right Channel Output

2.4.4 PC and I²C Interface (J300)

The PC interface using the attached special cable to parallel/printer port on the PC. This makes it possible to control the TAS3002 digital audio processor totally from the PC using the special DCT software saved on the PurePath Digital™ amplifier CD-ROM.

The PC interface can also be used to control the TAS3002 from an external microcontroller of your own choice.

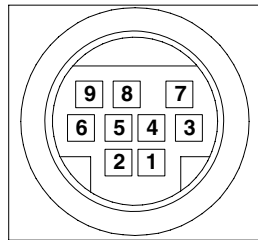
Figure 2–5. Pin Numbers at the Parallel Port/I²C Interface/I²C (J300)

Table 2–2. Description of J300

Pin No.	Pin Description	I/O	Net Name on Schematic
1	Power ON Reset	O	POWER-ON-RESET
2	Serial Data Line (SDA)	I/O	SDA-BI
3	Serial Clock Line (SCL)	I/O	SCL-BI
4	Serial Data Line In	I	SDA-IN
5	Serial Clock Line Out	O	SCL-OUT
6	Reserved	-	For future use
7	Serial Data Line Out	O	SDA-OUT
8	Serial Clock Line In	I	SCL-IN
9	0 V	-	GND

Pin 2 (SDA) and pin 3 (SCL) are used for communication between an external micro-controller and the digital audio processor.

2.4.5 Loudspeaker Connectors (J540, J541, J580, and J581)

All speaker connectors accept standard 4 mm plugs. Use of high quality plugs and speaker cable are recommended.

Table 2–3. Description of Loudspeaker Connectors

Reference Designator	Description
J540	Left speaker positive output terminal
J541	Left speaker negative output terminal
J580	Right speaker positive output terminal
J581	Right speaker negative output terminal

Caution

Both positive and negative speaker outputs are floating and may NOT be connected to ground (f.ex. through an oscilloscope).

2.4.6 Power Supply Connector

Figure 2–6. Pin Numbers at PSU Connector (Top View)

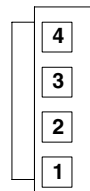


Table 2–4. Description of PSU Connector

Pin No.	Description	Net Name at Schematic
1	Supply voltage for output stage (VHBR)	POWER-OUTPUT-STAGE
2	Supply voltage for control and gate drive (V+)	–
3	Ground	GND
4	Ground	GND

2.5 Description of Switches and Buttons

2.5.1 S/PDIF Input Selector Switch (S100)

S100 switches between optical and coaxial S/PDIF input. When the lever is pressed in the direction of J101, the optical S/PDIF input is selected. When the lever is pressed in the direction of J100, the coaxial S/PDIF input is selected.

2.5.2 Bypass Digital Audio Processor Switch (S320)

When the lever is pressed in the direction of S341, the DAP is bypassed. When the lever is pressed in the direction of U360 (TAS3002), the DAP is in the signal path. Below S320 is a label (DAP ON), which indicates the position of the lever for the DAP inserted in signal path.

Warning

Bypassing the DAP is equal to maximum output power (attenuation = 0 dB). This might be loud and could possible damage your loudspeaker and hearing.

2.5.3 Reset Board Button (S620)

This is the master RESET for the EVM board. While this button is held down, the DIR1703, TAS3002, TAS5010, and TAS5112ADFD are held RESET and latching errors are cleared. Note that while the RESET button is held down, the *No S/PDIF* LED lights up, even if a valid S/PDIF input signal is present, because the DIR1703 S/PDIF receiver is held RESET.

2.5.4 Mute Button (S240)

The output stage is muted (not switching) while this button is held down and unmutes when it is released.

2.5.5 Volume Control (S340 and S341)

S341 and S340: Volume control of TAS3002 DAP. Press and hold the S341 button to decrease output power level. Press and hold the S340 button to increase output power level.

Note:

Change of listening level is slow. It takes approximately 25 seconds to change attenuation from -70 dB to 0 dB.

The TAS3002 device implements a soft volume control. This feature allows a change from one volume level to another over the entire range of volume control (+18 dB to mute). Above 0 dB, there is risk of signal clipping. Distortion of output signals is the result of signal clipping.

Note:

Significant signal clipping might result in activation of the overcurrent protection system.

2.6 Description of Indicators

2.6.1 Power LED (LED223)

The green LED indicates that the control circuitry at the TAS5010–5112F2EVM board is powered on.

2.6.2 No S/PDIF Input LED (LED222)

The yellow LED indicates that the S/PDIF input signal is missing or it does not contain valid audio data.

Reasons to have a *No S/PDIF* warning:

- The lever at the S/PDIF input selector switch (S100) is placed in the wrong position.
- The S/PDIF signal is missing. Some DVD players remove the S/PDIF output signal when the drawer is opened.

Note:

When the $\overline{\text{SPDIF-MUTE}}$ signal from the S/PDIF receiver is disabled (JMP130 is shunting pin 2 and pin 3), the *No S/PDIF* indication is disabled.

2.6.3 Temperature Warning LED (LED221)

The yellow LED indicates that the temperature of the TAS5112ADFD junction has reached the *warning level*. This is step one of the two-step thermal protection system implemented in the TAS5112ADFD device. The temperature warning is an indication only; the operation of the system is unchanged. If the temperature increases further and above the *shutdown level*, the error latch is set and the system goes into RESET mode. At this point, the *Protection Mode* LED will be lit as well as the *Temperature Warning* LED.

2.6.4 Protection Mode LED (LED220)

The red LED indicates that protection circuit is engaged and it has put the output stage in shutdown mode.

Possible causes for shutdown mode:

- Two speaker terminals are shorted
- The amplifier is constantly overloaded (decrease volume level).
- One speaker terminal is shorted to ground (f.ex. through an oscilloscope)
- The output stage is in thermal shutdown due to overload.

Check the setup and board carefully and remove the cause of the failure before pressing RESET (S620) to disengage the protection mode.

EVM Board Operation

This chapter describes the TAS5010–5112F2EVM board operation.

Topic	Page
3.1 Power Supply	3-2
3.2 Setup the TAS5010-5112F2EVM With the S/PDIF Input	3-3
3.3 Setup the TAS5010-5112F2EVM With the Analog Line Input	3-4
3.4 Interfacing the Analog Line Output	3-4
3.5 Controlling the DAP With PC Software	3-4

3.1 Power Supply

The TAS5010–5112F2EVM can be powered from one or two external power supplies. High-end audio performance requires a stabilized power supply with low ripple voltage and low output impedance.

Note:

The length of the power supply cable must be minimized. Increasing the length of the PSU cable is equal to increasing the distortion for the amplifier at high output levels and low frequencies.

3.1.1 Power the EVM by One Power Supply

A single power supply can be connected to the TAS5010–5112F2EVM board. Short VHBR and V+ at the power cable (red and white plugs).

Voltage for the connected power supply is not allowed to be below 15 V. The maximum supply voltage depends of the speaker load resistance. Check the recommended maximum supply voltage in the TAS5112ADFD data sheet (SLES094).

Table 3–1. Maximum Supply Voltage (Single Supply)

	$R_{LOAD} = 6 \Omega$
Supply voltage (VHBR and V+)	29.5 V

3.1.2 Power the EVM With Two Power Supplies

When two supplies power the TAS5010–5112F2EVM, it is possible to adjust the output power with the level of the voltage VHBR (pin 1 at J640). The minimum VHBR voltage is 0 V. The maximum voltage depends of the load resistance. Check the recommended maximum supply voltage in the TAS5112ADFD data sheet (SLES094).

Table 3–2. Maximum H-bridge Voltage vs Load Impedance

	$R_{LOAD} = 6 \Omega$
Maximum VHBR voltage	29.5 V
V+ voltage	15 V – 20 V

Figure 3–1. Recommended Power-Up and Power-Down Sequence



3.2 Setup the TAS5010–5112F2EVM With the S/PDIF Input

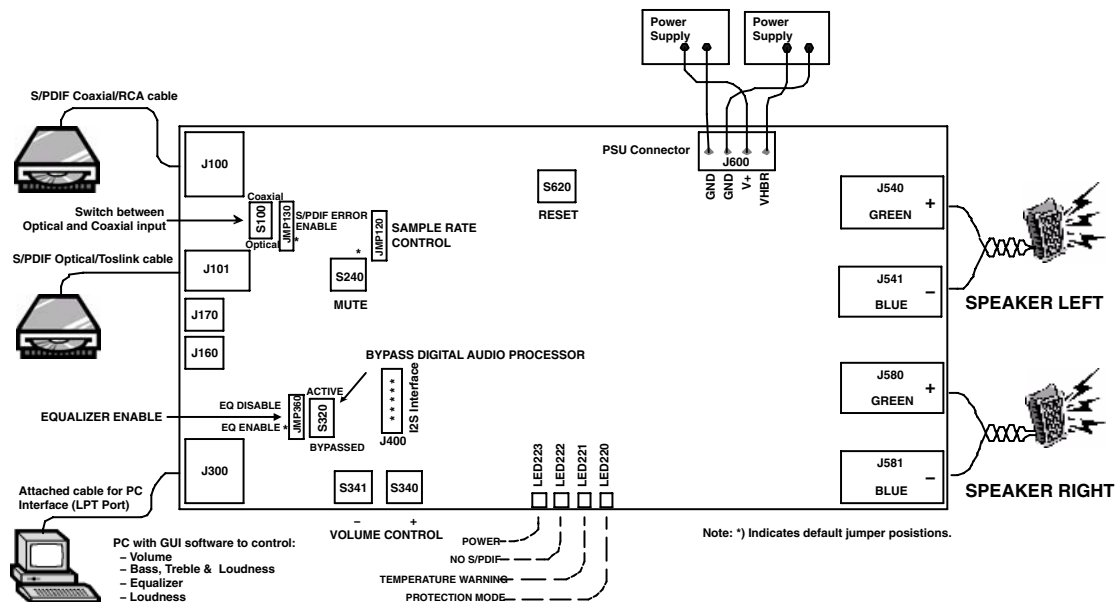
Connect the EVM board as shown in Figure 3–2. Select between coaxial or optical input signal at the input selector switch (S100).

Press the lever at S320 in the direction of U360 if the TAS3002 DAP is wanted in the signal path (recommended during normal listening tests). There is no attenuation if DAP is bypassed. If the DAP is in the signal path, the start-up volume level depends on what is programmed in the serial EEPROM on the EVM board. The default startup volume level is initially programmed to 12 dB below full scale, which on some speakers still might be loud. The default volume level can be changed with the DCT software on the PC.

The following are the conditions for standard setup:

- 1) All jumpers are in default position.
- 2) Speakers, power supply, and if required a cable for PC communication are initially connected to the EVM board.
- 3) The TAS5010–5112F2EVM can be powered with either one or two power supplies (see the *Power Supply* section). Power supplies are initially switched OFF.
- 4) Music player is initially switched OFF.
- 5) PC connection is optional.

Figure 3–2. EVM Board Connected to S/PDIF Sources and Personal Computer



3.2.1 Start-up Sequence

- 1) Turn on the power supply/supplies. Follow the power-up and power-down sequence described in the *Power Supply* section. Observe that the green *Power ON* LED and the yellow *No S/PDIF* LED are lit.
- 2) Run the DCT software from the PC desktop if the DAP is activated (S320) and the attached cable is connected from J300 to the PC.
- 3) Turn on the CD/DVD player and play the test CD. Observe that the yellow *No S/PDIF* now is OFF.
- 4) Observe that digital audio is coming from the left and right speakers.

3.3 Setup the TAS5010–5112F2EVM With the Analog Line Input

- Disable the *UNLOCK* warning from S/PDIF receiver (JMP130: shunts pin 2 and 3)
- Connect the TAS5010–5112F2EVM board and PC with the attached cable
- Connect the analog source to the analog input (J160)
- Power up the TAS5010–5112F2EVM board
- Enable the TAS3002 analog input with the DCT software
- Disable the TAS3002 digital input (both SDIN1 and SDIN2) with the DCT software
- The TAS5010–5112F2EVM board is ready to play with analog source

3.4 Interfacing the Analog Line Output

The default is the analog line output (J170) active. The analog line output can be connected to analog tape recorders or analog amplifiers (e.g., a subwoofer).

3.5 Controlling the DAP With PC Software

Operating instructions for the DCT software are described in the *Digital Audio Processor (DAP) Configuration Tool Operating Instruction* user's guide, which is located on the PurePath Digital™ Amplifier CD-ROM.

Hints for Measurement of Performance

Read the *Digital Audio Measurements* application note (SLAA114) for an introduction to measurements on true digital audio amplifiers.

You are welcome to use the audio precision test files available on the PurePath Digital™ amplifier CD-ROM. Note that an AES17 filter is required to reach the shown measurements. Specifications for the AES17 filter are described in the *AES Standard Method For Digital Audio Engineering – Measurement of Digital Audio Equipment* (the AES17 standard is available from the Audio Engineering Society – www.aes.org).

When evaluating the performance of the digital amplifier section, bypass the digital audio processor with S320 or adjust all settings to neutral and attenuation to 0 dB.

Connect the TAS5010–5112F2EVM to a regulated power supply with a short cable. The length of the PSU cable must not exceed 0,3 meters.



Free Manuals Download Website

<http://myh66.com>

<http://usermanuals.us>

<http://www.somanuals.com>

<http://www.4manuals.cc>

<http://www.manual-lib.com>

<http://www.404manual.com>

<http://www.luxmanual.com>

<http://aubethermostatmanual.com>

Golf course search by state

<http://golfingnear.com>

Email search by domain

<http://emailbydomain.com>

Auto manuals search

<http://auto.somanuals.com>

TV manuals search

<http://tv.somanuals.com>