

TS3USB221/A/E High Speed USB 2.0 (480 Mbps) 1:2 Multiplexer/Demultiplexer Switch Evaluation Module

Contents

1	Preface	2
2	Introduction	3
3	EVM Configuration and Description	5
4	Related Documentation	14

List of Figures

1	TS3USB221/A/E EVM Block Diagram	3
2	Quick Start Evaluation.....	4
3	Jumpers J6, J7, and J8 Configuration	5
4	EVM Schematic	7
5	Top Silkscreen/Assembly	9
6	Top Metal (High-Speed Differential)	10
7	Internal Ground Plane	11
8	Internal Power Plane.....	12
9	Bottom Metal (Low-Speed Single-Ended).....	13
10	Bottom Silkscreen/Assembly.....	13

List of Tables

1	EVM Jumper Description.....	5
2	EVM Connector Description	5
3	Board Stack-Up	6
4	Bill of Materials.....	14

1 Preface

1.1 About This Manual

This user's guide describes the TS3USB221/A/E Evaluation Module (EVM). This guide contains the EVM schematics, bill of materials, assembly drawings, and top and bottom board layouts.

1.2 How to Use This Manual

This document contains the following chapters:

- Chapter 1 – Preface
- Chapter 2 – Introduction and Quick Start
- Chapter 2 – EVM Configuration and Description
- Chapter 3 – Related Documents

1.2.1 Information about Cautions and Warnings



CAUTION

This EVM contains components that can potentially be damaged by electrostatic discharge. Always transport and store the EVM in its supplied ESD bag when not in use. Handle using an antistatic wristband. Operate on an antistatic work surface. For more information on proper handling, see the *Electrostatic Discharge (ESD)* application note ([SSYA008](#)).

The information in a caution or a warning is provided for your protection. Please read each caution and warning carefully.

1.2.2 FCC Warning

This equipment is intended for use in a laboratory test environment only. It generates, uses, and can radiate radio frequency energy and has not been tested for compliance with the limits of computing devices pursuant to subpart J of part 15 of FCC rules, which are designed to provide reasonable protection against radio frequency interference. Operation of this equipment in other environments may cause interference with radio communications, in which case the user at his/her own expense will be required to take whatever measures may be required to correct this interference.

2 Introduction

The TS3USB221/A/E EVM is an evaluation module for the Texas Instruments (TI) 1:2 multiplexer/demultiplexer high-bandwidth USB switches. It is specially designed for high-speed USB 2.0 signals, supports bidirectional signaling, and offers high-bandwidth (1.1 GHz). When interfacing other USB devices with this EVM, the switch allows signals to pass with minimum edge and phase distortion as well as little or no signal attenuation.

This evaluation module is designed to demonstrate the small printed circuit board (PCB) areas that can be achieved when designing with the TS3USB221/A/E USB switches. It is powered from the 5-V rail of the USB input. Additionally, the TS3USB221/A/E provides an output enable input and an output select input for flexible configuration of the USB. See [Figure 1](#) for the EVM block diagram.

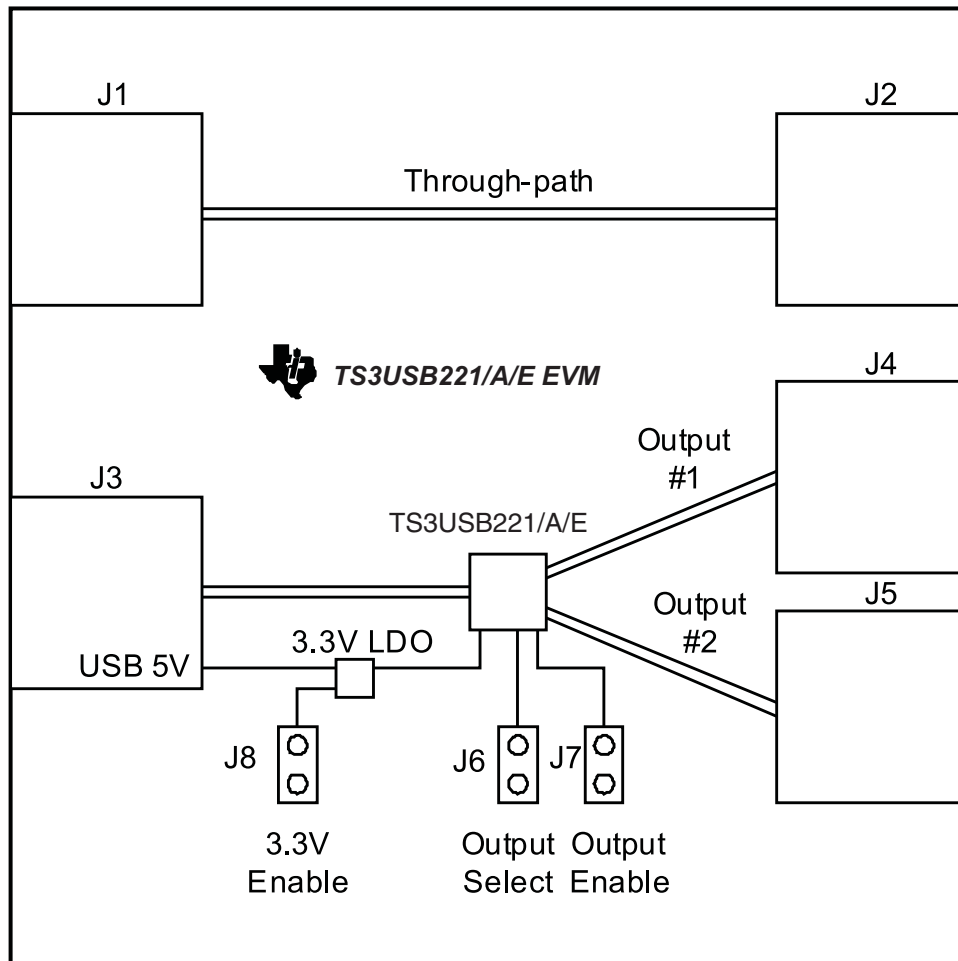


Figure 1. TS3USB221/A/E EVM Block Diagram

2.1 List of Hardware Items for Operation

The following items are required for EVM evaluation:

- The TS3USB221/A/E EVM
- USB cables with connector type depending on the surrounding system

The following items are optional for EVM evaluation:

- USB type A or type B connectors to change connectors J1 through J5 for optimal system interface configuration
- IBM compatible PC with USB 2.0 ports for quick start evaluation

2.2 Quick Start

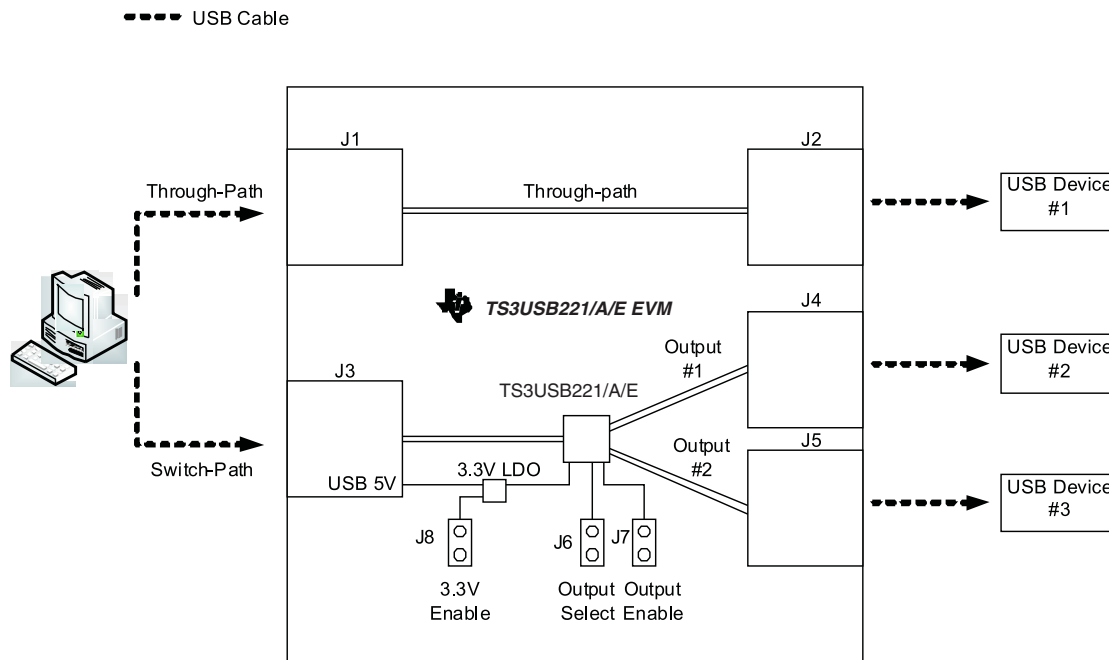


Figure 2. Quick Start Evaluation

1. Connect the PC to the USB connector J3 through a USB cable.
2. Make sure the 3.3-V LDO output is enabled by opening J8 without a jumper.
3. Make sure the TS3USB221/A/E IC is enabled by shunting J7 with a jumper.
4. Connect two USB downstream devices (for example, mouse, keyboard, USB memory stick, etc) to J4 and J5 on the EVM.
5. To select USB downstream device 1 connected to J4, make sure J6 is shunted with a jumper. To select USB downstream device 2 connected to J5, make sure J6 is open without a jumper.
6. Connector J1 and J2 are connected together without a USB switch. This through-path can serve as a reference to compare with the TS3USB221/A/E path.

3 EVM Configuration and Description

3.1 EVM Description

To conform to the USB 2.0 specification, the differential traces D+ and D- lines on the board are impedance matched to 90-Ω differential. The trace length of the through-path and the trace length through the TS3USB221/A/E switch are also matched for comparison purpose. The PCB is a simple four-layer top-side populated board (see the schematic and PCB layout in [Section 3.4](#) and [Section 3.5](#)). The major features of the hardware design are detailed in the following sections.

3.2 Jumper Configuration (J6 to J8)

The EVM has jumper J6 through J8 (see [Figure 3](#)) to provide configuration to the TS3USB221/A/E and the 3.3-V LDO. J6 allows switch output channel select, J7 provides switch enable control, and J8 provides 3.3-V LDO enable control. [Table 1](#) lists all of the jumpers in the EVM and their respective functionality (all default settings are in bold).

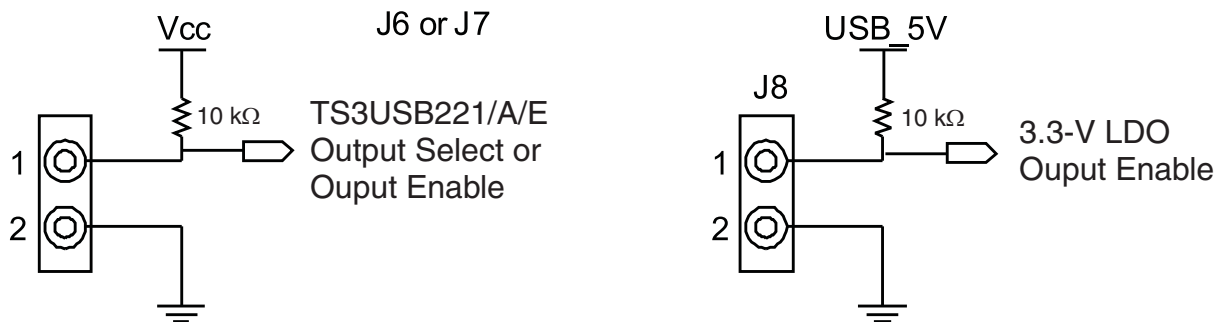


Figure 3. Jumpers J6, J7, and J8 Configuration

Table 1. EVM Jumper Description

Jumper	Functionality	Configuration
J6	TS3USB221/A/E Select	Shunt J6 to select output 1 Open J6 to select output 2
J7	TS3USB221/A/E Enable	Shunt J7 to enable the switch Open J7 to disable the switch
J8	3.3V LDO Enable	Shunt J8 to disable the LDO Open J8 to enable the LDO

The EVM provides USB connectors J1 through J5 to interface with other USB devices. Depending on the application need, the connectors can be de-soldered and changed to either type A or type B connector. See [Table 2](#) for the default connectors on the EVM.

Table 2. EVM Connector Description

Connector	Functionality	Configuration
J1	USB Connector	Default as type B connector Can be replaced with type A connector
J2	USB Connector	Default as type A connector Can be replaced with type B connector
J3	USB Connector	Default as type B connector Can be replaced with type A connector
J4	USB Connector	Default as type B connector Can be replaced with type A connector
J5	USB Connector	Default as type B connector Can be replaced with type A connector

3.3 Board Stack-Up

Table 3 shows the board stack-up.

Table 3. Board Stack-Up

	Subclass Name	Type	Thickness (mils)	Dielectric Constant	Loss Tangent	Shield	Width (mils)	Impedance (Ω)	Coupling Type	Spacing (mils)	Diff Z_o (Ω)
1		SURFACE									
2	TOP	CONDUCTOR	2.4	1	0		7.5	47.72	EDGE	7.5	85.004
3		DIELECTRIC	4	4.1	0.035						
4	GND	PLANE	1.2	1	0	YES					
5		DIELECTRIC	48	4.1	0.035						
6	VCC	PLANE	1.2	1	0	YES					
7		DIELECTRIC	4	4.1	0.035		7.5	47.72	EDGE	7.5	85.004
8	BOTTOM	CONDUCTOR	2.4	1	0						
9		SURFACE									

3.4 Schematics

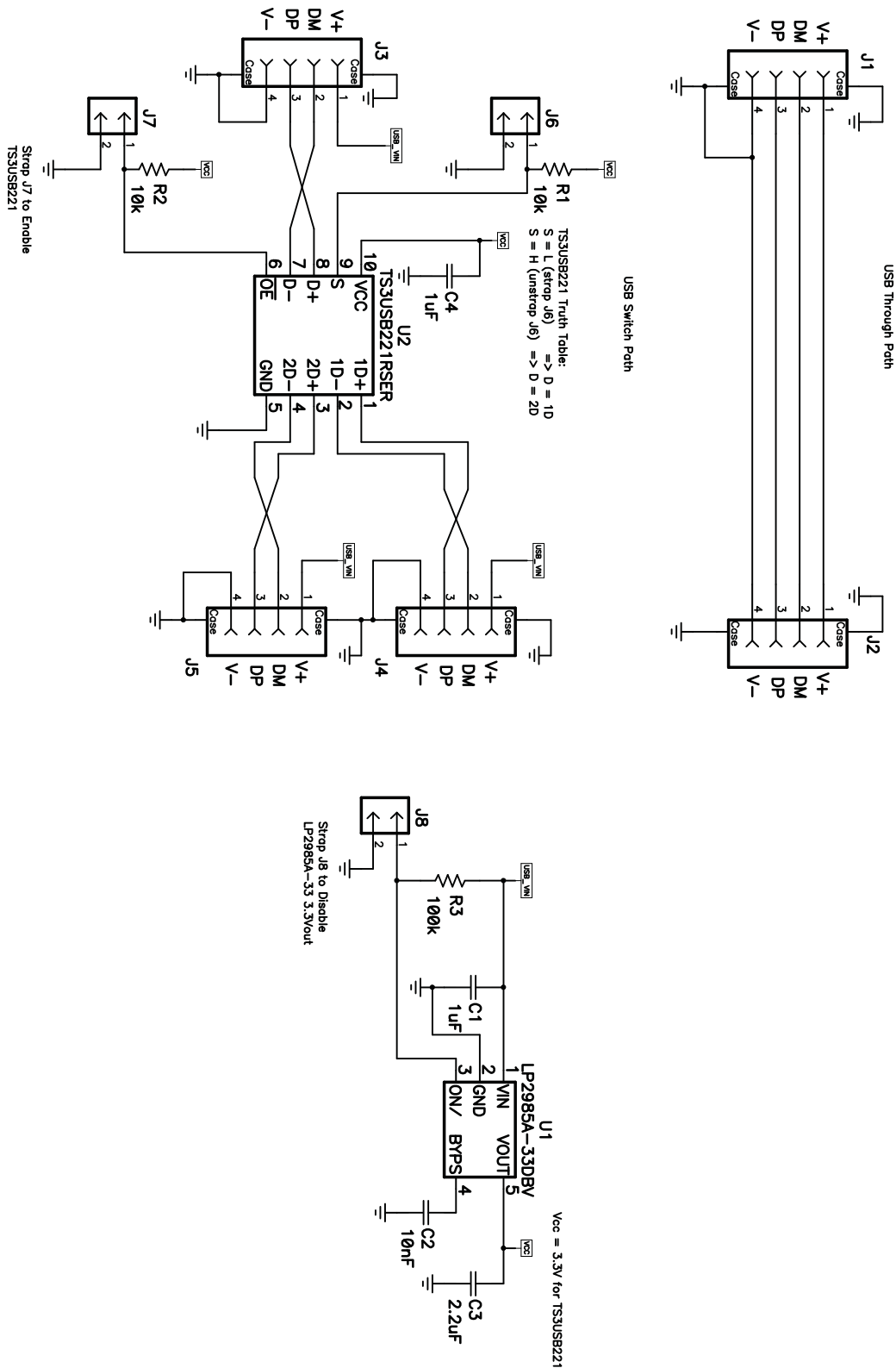


Figure 4. EVM Schematic

3.5 PCB Layout

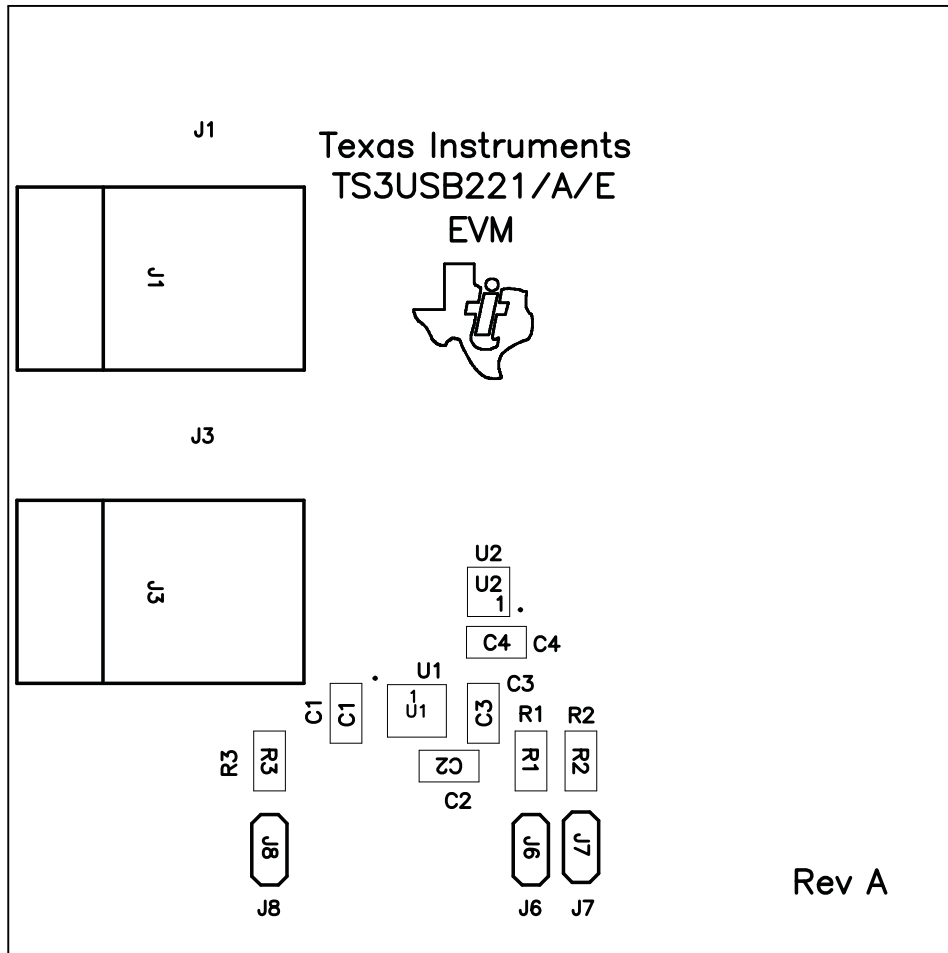


Figure 5. Top Silkscreen/Assembly

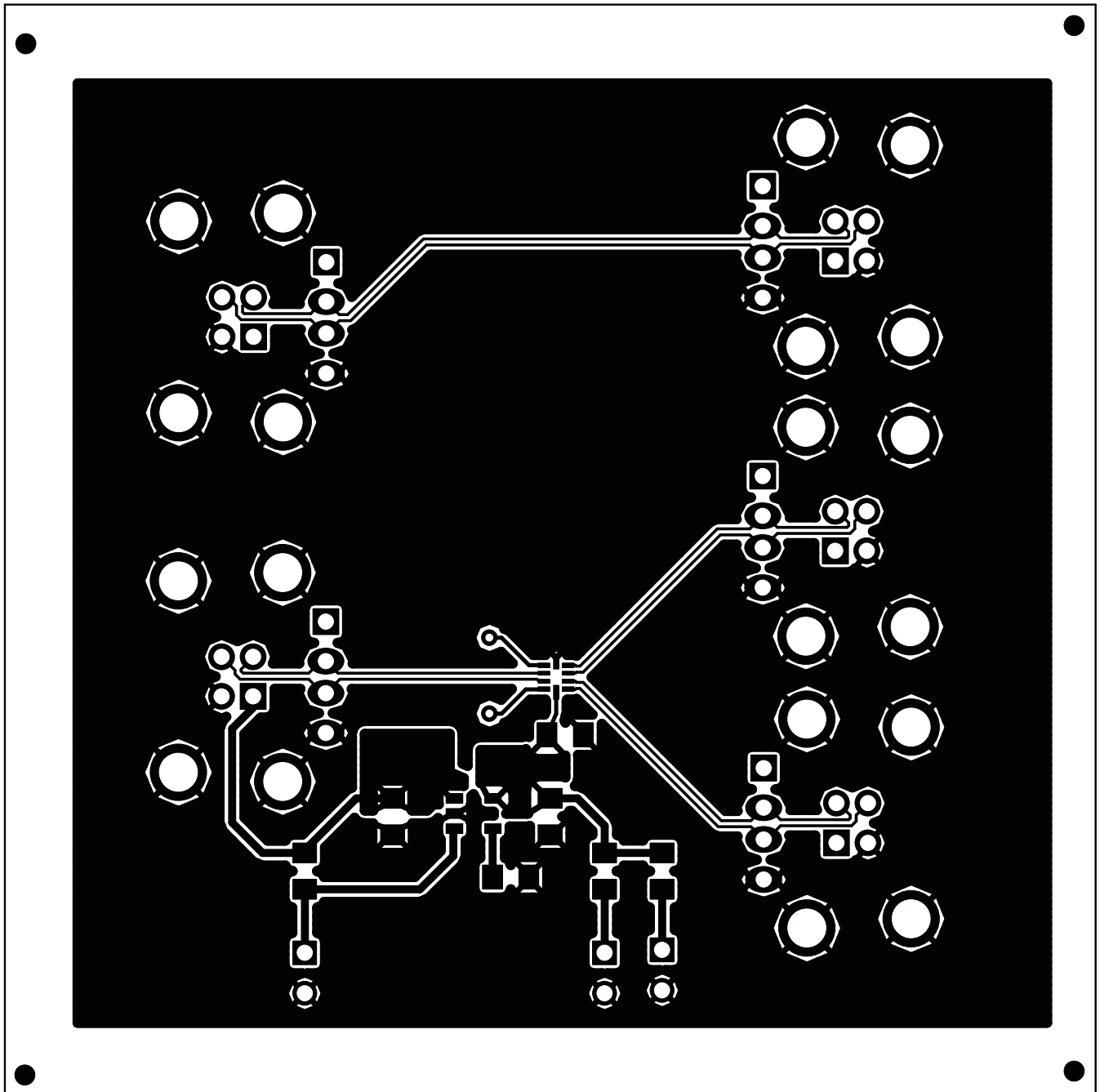


Figure 6. Top Metal (High-Speed Differential)

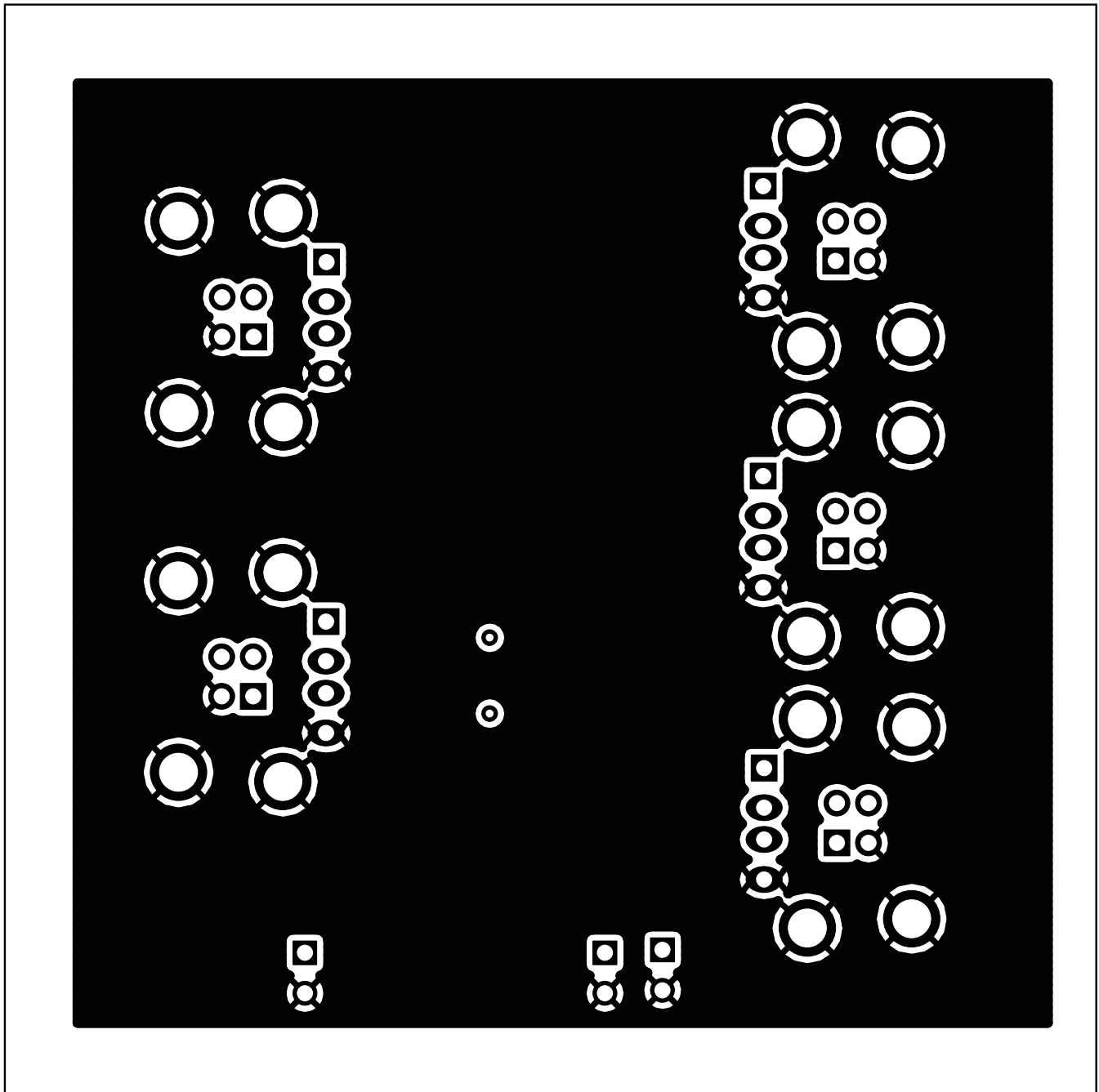


Figure 7. Internal Ground Plane

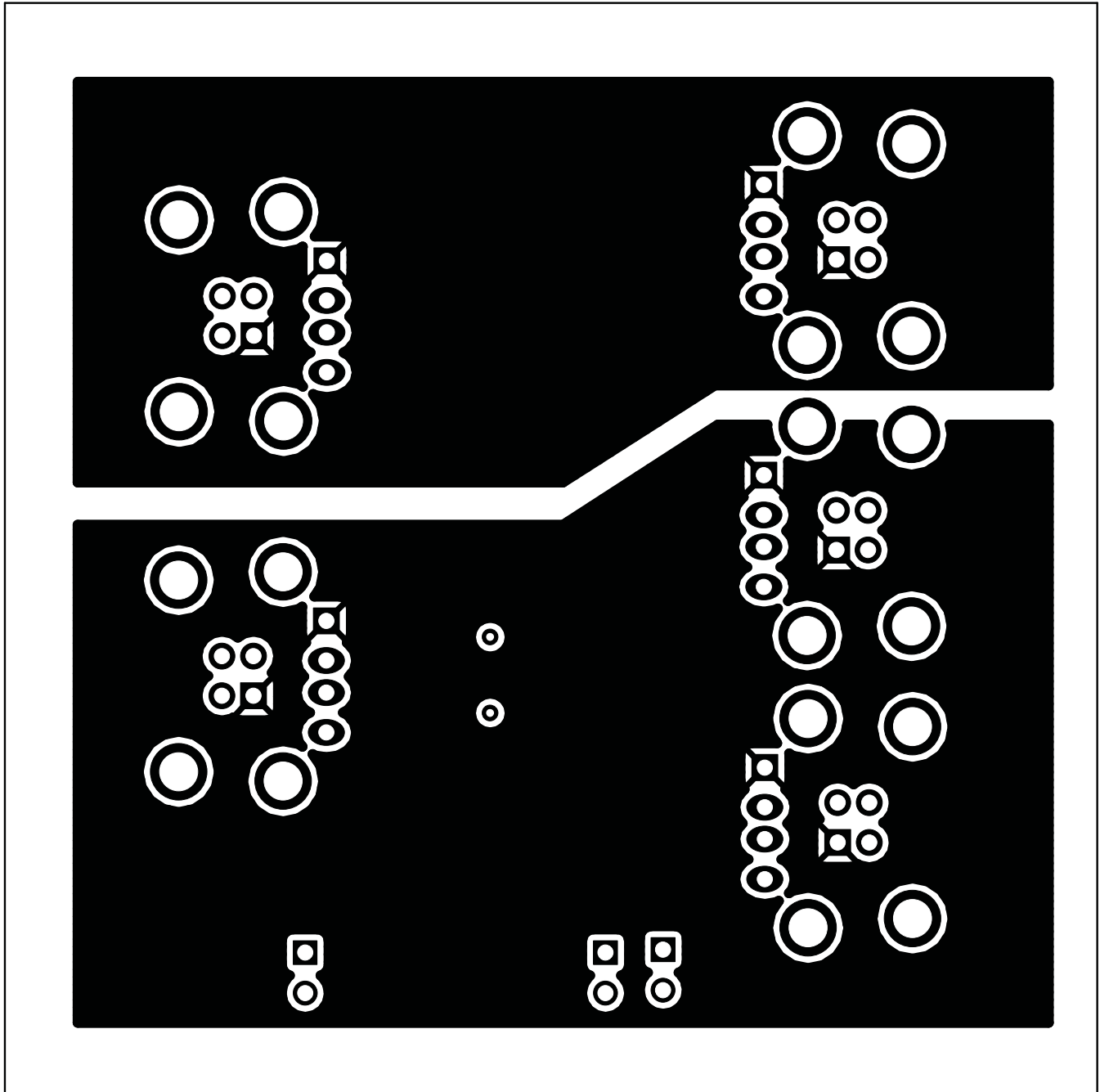


Figure 8. Internal Power Plane

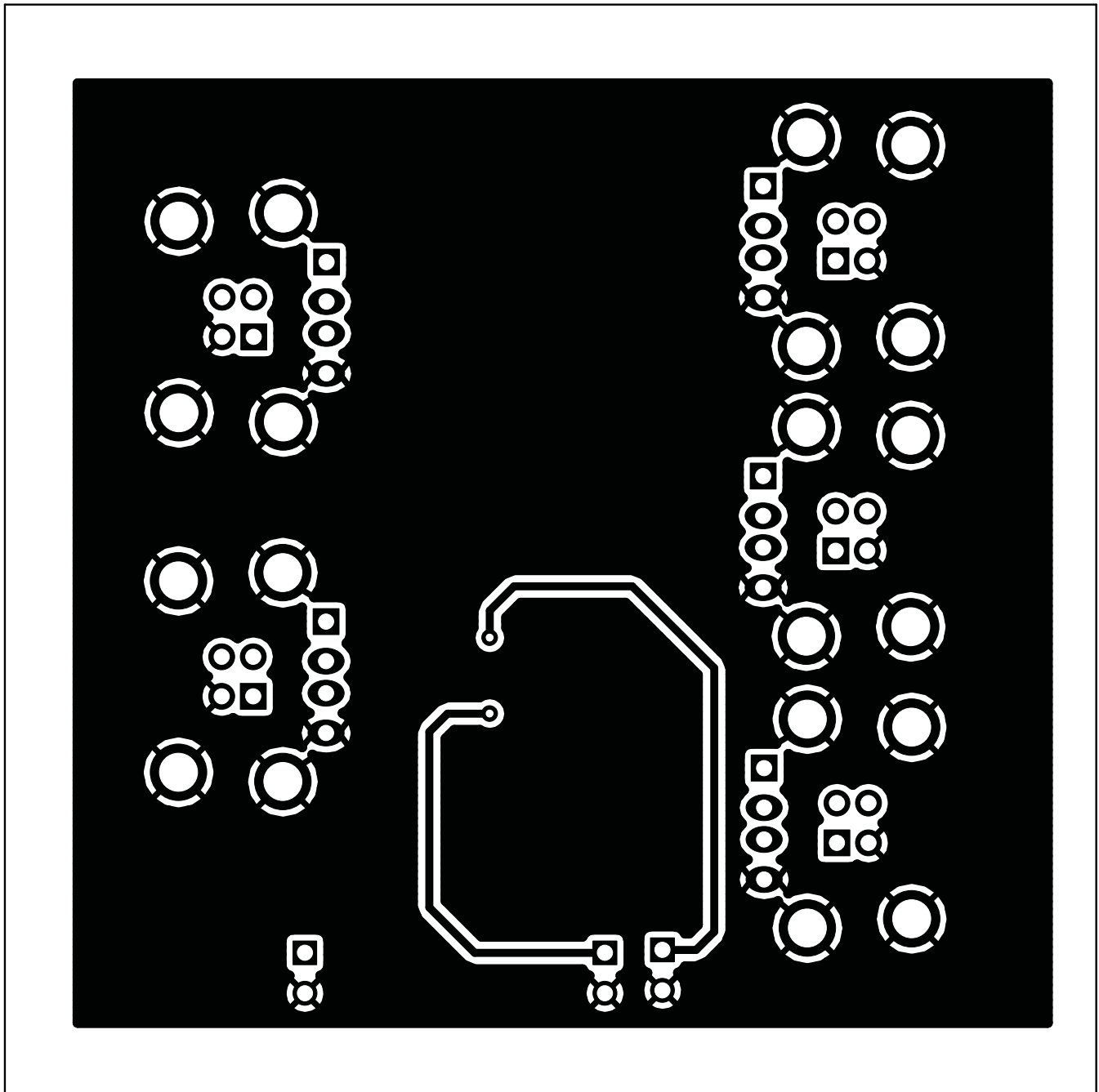


Figure 9. Bottom Metal (Low-Speed Single-Ended)

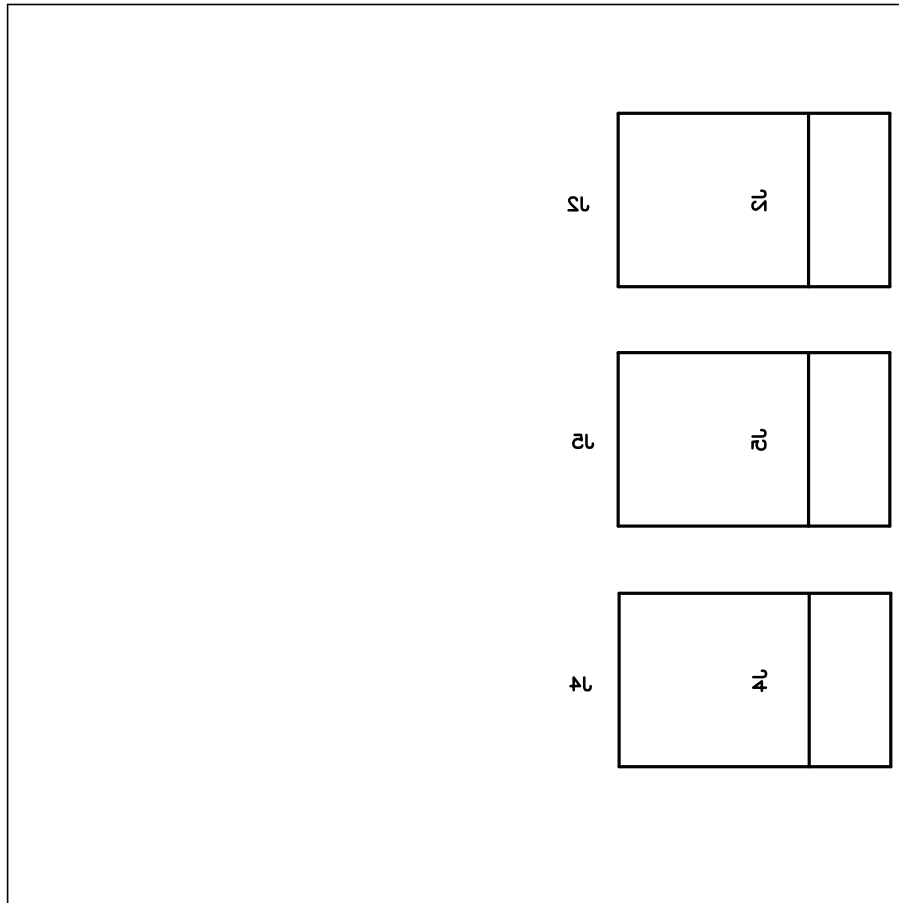


Figure 10. Bottom Silkscreen/Assembly

3.6 Bill of Materials

Table 4. Bill of Materials

Count	RefDes	Value	Description	Size	Part Number	Manufacturer
2	J1, J3	–	USB Connector Type A	–	AU-Y1005	Assmann Electronics Inc
3	J2, J4, J5	–	USB Connector Type B	–	67068-9000	Molex / Waldom Electronics
3	J6, J7, J8	–	Header, 2x1pin, 100mil spacing	100 mil x 100 mil	PEC36SAAN	Sullins Connector Solutions
2	C1, C4	1.0 μ F	Capacitor, Ceramic, 1.0uF, X7R, 10%	805	Std	Std
1	C2	10 nF	Capacitor, Ceramic, 10nF, X7R, 10%	805	Std	Std
1	C3	2.2 μ F	Capacitor, Ceramic, 2.2uF, X7R, 10%	805	Std	Std
2	R1, R2	10 k Ω	Resistor, Chip, 10k Ω , 1/8W, 5%	805	Std	Std
1	R3	100 k Ω	Resistor, Chip, 100k Ω , 1/8W, 5%	805	Std	Std
1	U1	TS3USB221/A/E	IC, High Speed 1:2 USB Switch	RSE	TS3USB221RSER/ TS3USB221xRSER	TI
1	U2	LP2985-33	IC, 150mA LDO regulator	SOT23-5	LP2985-33DBV	TI

4 Related Documentation

TS3USB221 High-Speed USB 2.0 (480Mbps) 1:2 Multiplexer/Demultiplexer Switch with Single Enable data sheet ([SCDS220F](#))

TS3USB221A ESD Protected, High-Speed USB 2.0 (480Mbps) 1:2 Multiplexer/Demultiplexer Switch with Single Enable data sheet ([SCDS277](#))

TS3USB221E High-Speed USB 2.0 (480Mbps) 1:2 Multiplexer/Demultiplexer Switch with Single Enable and IEC Level 3 ESD Protection data sheet ([SCDS263](#))

USB 2.0 Board Design and Layout Guidelines application report ([SPRAAR7](#))

High Speed USB Platform Design Guidelines, Intel, 2000,
http://www.intel.com/technology/usb/download/usb2dg_R1_0.pdf

USB 2.0 Specification, Intel, 2000, <http://www.usb.org/developers/docs>

IMPORTANT NOTICE

Texas Instruments Incorporated and its subsidiaries (TI) reserve the right to make corrections, modifications, enhancements, improvements, and other changes to its products and services at any time and to discontinue any product or service without notice. Customers should obtain the latest relevant information before placing orders and should verify that such information is current and complete. All products are sold subject to TI's terms and conditions of sale supplied at the time of order acknowledgment.

TI warrants performance of its hardware products to the specifications applicable at the time of sale in accordance with TI's standard warranty. Testing and other quality control techniques are used to the extent TI deems necessary to support this warranty. Except where mandated by government requirements, testing of all parameters of each product is not necessarily performed.

TI assumes no liability for applications assistance or customer product design. Customers are responsible for their products and applications using TI components. To minimize the risks associated with customer products and applications, customers should provide adequate design and operating safeguards.

TI does not warrant or represent that any license, either express or implied, is granted under any TI patent right, copyright, mask work right, or other TI intellectual property right relating to any combination, machine, or process in which TI products or services are used. Information published by TI regarding third-party products or services does not constitute a license from TI to use such products or services or a warranty or endorsement thereof. Use of such information may require a license from a third party under the patents or other intellectual property of the third party, or a license from TI under the patents or other intellectual property of TI.

Reproduction of TI information in TI data books or data sheets is permissible only if reproduction is without alteration and is accompanied by all associated warranties, conditions, limitations, and notices. Reproduction of this information with alteration is an unfair and deceptive business practice. TI is not responsible or liable for such altered documentation. Information of third parties may be subject to additional restrictions.

Resale of TI products or services with statements different from or beyond the parameters stated by TI for that product or service voids all express and any implied warranties for the associated TI product or service and is an unfair and deceptive business practice. TI is not responsible or liable for any such statements.

TI products are not authorized for use in safety-critical applications (such as life support) where a failure of the TI product would reasonably be expected to cause severe personal injury or death, unless officers of the parties have executed an agreement specifically governing such use. Buyers represent that they have all necessary expertise in the safety and regulatory ramifications of their applications, and acknowledge and agree that they are solely responsible for all legal, regulatory and safety-related requirements concerning their products and any use of TI products in such safety-critical applications, notwithstanding any applications-related information or support that may be provided by TI. Further, Buyers must fully indemnify TI and its representatives against any damages arising out of the use of TI products in such safety-critical applications.

TI products are neither designed nor intended for use in military/aerospace applications or environments unless the TI products are specifically designated by TI as military-grade or "enhanced plastic." Only products designated by TI as military-grade meet military specifications. Buyers acknowledge and agree that any such use of TI products which TI has not designated as military-grade is solely at the Buyer's risk, and that they are solely responsible for compliance with all legal and regulatory requirements in connection with such use.

TI products are neither designed nor intended for use in automotive applications or environments unless the specific TI products are designated by TI as compliant with ISO/TS 16949 requirements. Buyers acknowledge and agree that, if they use any non-designated products in automotive applications, TI will not be responsible for any failure to meet such requirements.

Following are URLs where you can obtain information on other Texas Instruments products and application solutions:

Products

Amplifiers	amplifier.ti.com
Data Converters	dataconverter.ti.com
DLP® Products	www.dlp.com
DSP	dsp.ti.com
Clocks and Timers	www.ti.com/clocks
Interface	interface.ti.com
Logic	logic.ti.com
Power Mgmt	power.ti.com
Microcontrollers	microcontroller.ti.com
RFID	www.ti-rfid.com
RF/IF and ZigBee® Solutions	www.ti.com/lprf

Applications

Audio	www.ti.com/audio
Automotive	www.ti.com/automotive
Broadband	www.ti.com/broadband
Digital Control	www.ti.com/digitalcontrol
Medical	www.ti.com/medical
Military	www.ti.com/military
Optical Networking	www.ti.com/opticalnetwork
Security	www.ti.com/security
Telephony	www.ti.com/telephony
Video & Imaging	www.ti.com/video
Wireless	www.ti.com/wireless

Mailing Address: Texas Instruments, Post Office Box 655303, Dallas, Texas 75265
Copyright © 2009, Texas Instruments Incorporated

Free Manuals Download Website

<http://myh66.com>

<http://usermanuals.us>

<http://www.somanuals.com>

<http://www.4manuals.cc>

<http://www.manual-lib.com>

<http://www.404manual.com>

<http://www.luxmanual.com>

<http://aubethermostatmanual.com>

Golf course search by state

<http://golfingnear.com>

Email search by domain

<http://emailbydomain.com>

Auto manuals search

<http://auto.somanuals.com>

TV manuals search

<http://tv.somanuals.com>