



Helm Instrument Company, Inc.
361 West Dussel Drive
Maumee, Ohio 43537 USA
419/ 893-4356
Fax: 419/ 893-1371
www.helminstrument.com

1769 Weigh Scale Module

Model HM1525

Instruction Manual

FEBRUARY 2004

Important User Information

Solid state equipment has operational characteristics differing from those of electromechanical equipment. "Safety Guidelines for the Application, Installation and Maintenance of Solid State Controls" (Allen-Bradley Publication SGI-1.1) describes some important differences between solid state equipment and hard-wired electromechanical devices. Because of this difference, and also because of the wide variety of uses for solid state equipment, all persons responsible for applying this equipment must satisfy themselves that each intended application of this equipment is acceptable.

In no event will the Allen-Bradley Company or Helm Instrument Company be responsible or liable for indirect or consequential damages resulting from the use or application of this equipment.

The examples and diagrams in this manual are included solely for illustrative purposes. Because of the many variables and requirements associated with any particular installation, the Allen-Bradley Company or Helm Instrument Company cannot assume responsibility or liability for actual use based on the examples and diagrams.

No patent liability is assumed by Allen-Bradley Company or Helm Instrument Company with respect to use of information, circuits, equipment, or software described in this manual.

Reproduction of the contents of this manual, in whole or in part, without written permission of the Allen-Bradley Company and Helm Instrument Company is prohibited.

Throughout this manual we use note to make you aware of safety considerations.



ATTENTION: Identifies information about practices or circumstances that can lead to property damage. Identifies information that is especially important for successful application and understanding of the product.

Attentions help you:

- identify a hazard
- avoid the hazard
- recognize the consequences



ATTENTION: Please check power supply ratings before proceeding! Each tonnage module consumes (+24, 50mA +5, 66mA). Be sure to not overload the power supply.

PLC, PLC2, PLC3, and PLC5 are registered trademarks of the Allen-Bradley Company, Inc.
SLC, SLC500, PanelView, RediPANEL, Dataliner are trademarks of Allen-Bradley Company, Inc.
IBM is a registered trademark of International Business Machines, Incorporated.
Weigh Scale is a registered trademark of the Helm Instrument Company, Inc.

**Table of Contents
Strain Gage
Module**

**Table of Contents
Weigh Scale Load Module
User Manual**

Preface..... P-1
Who Should Use this Manual.....P-1
Purpose of this ManualP-1
Contents of this ManualP-2
Related DocumentationP-3
Terms and AbbreviationsP-4
Common Techniques Used in this ManualP-5
Product Support.....P-5
Your Questions or Comments on this ManualP-5

Overview

Chapter 1.....1-1
Components..... 1-1
Strain Gain Transducer Operation 1-1
Hardware Overview 1-2

Getting Started

Chapter 2.....2-1
Getting Started.....2-1
Required Tools and Equipment2-1
System Operation2-2
Sensor Wiring2-2

**Channel Configuration,
Data and Status**

Chapter 3.....3-1
Channel Configuration, Data and Status 3-1
Module Addressing 3-1
Module Configuration.....3-1
Data Table Memory Map3-1
Output Image3-1
Input Image3-3
Integer File.....3-5

**Initial
Setup
Procedures**

Chapter 4.....4-1
Initial Setup Procedures..... 4-1
Step 1. Balance Sensor Input 4-1
Step 2. Set Calibration Numbers 4-2

**System
Trouble-
Shooting
Guide**

Chapter 5.....5-1
HT-400 Sensor Ohm Reading 5-1
Block Diagrams..... 5-2
Trim Jumper Setting..... 5-2
PLC Ladder Logic 5-3

Preface

Read this preface to familiarize yourself with the rest of this manual. This preface covers the following topics:

- who should use this manual
- the purpose of this manual
- terms and abbreviations
- conventions used in this manual
- Allen-Bradley support

Who Should Use this Manual

Use this manual if you are responsible for the design, installation, programming, or maintenance of an automation control system that used Allen-Bradley small logic controllers.

You should have a basic understanding of SLC 500 products. You should understand electronic process control and be able to interpret the ladder logic instructions required to generate the electronic signals that control your application. If you do not, contact your local Allen-Bradley representative for the proper training before using this product.

Purpose of This Manual

This manual is a learning and reference guide for the Helm Weigh Scale Module. It contains the information you need to install, wire, and use the module.

Contents of this Manual

Chapter	Title	Content
	Preface	Describes the purpose, background, and scope of this manual. Also specifies the audience for whom this manual is intended and defines key terms and abbreviations used throughout this book.
1	Overview	Provides a hardware and system overview. Explains and illustrates the components of the system.
2	Installation and Wiring	Provides installation information and wiring guidelines.
3	Channel Configuration, Data and Status	Examines the channel configuration and the channel status word, and explains how the module uses configuration data and generates status during operation.
4	Ladder Programming Examples	Gives an example of the ladder logic required to define the channel for operation. Also includes representative examples for unique requirements such as sample count, trend calculation, etc.
5	Troubleshooting	Explains how to interpret and correct problems that occur while using the load module.
A	Specifications	Provides physical, electrical, Environmental, and functional Specifications for the module.
B	Ladder Program	

Related Documentation

The following documents contain information that may be helpful to you as you use Allen-Bradley SLC products. To obtain a copy of any of the Allen-Bradley documents listed, contact your local Allen-Bradley office or distributor.

For	Read this Document	Document Number
An overview for the MicroLogix™ Programmable Controllers	MicroLogix 1500 Programmable Controllers	1764-UM001A-US-P
A description on how to install and use your MicroLogix Programmable Controller	MicroLogix 1500 Programmable Controller Base Units Installation Instructions and Wiring Diagrams	1764-IN001A-ML-P
A description on how to install the processor into the MicroLogix 1500 Base unit.	MicroLogix 1500 Processor Installation Instructions	1764-IN002A-ML-P
Selecting Discrete Input/Output Modules	Compact Discrete Input/Output Modules Technical Data	1769-2.1
View power usage of expansion modules to determine power supply requirements	Expansion Modules System Qualifier	RA Website Download
End Cap Installation	Compact I/O End Caps/Terminators Installation Instructions	1769-5.16
A complete listing of current Automation Group documentation, including ordering instructions. Also indicates whether the documents are available on CD-ROM or in multi-languages	Automation Group Publication Index	SD499
A glossary of industrial automation terms and abbreviations	Allen-Bradley Industrial Automation Glossary	ICCG-7.1
An article on wire sizes and types for grounding electrical equipment	National Electrical Code	Published by the National Fire Protection Association of Boston, MA.

Terms and Abbreviations

The following terms and abbreviations are used throughout this manual. For definitions of terms not listed here refer to *Allen-Bradley's Industrial Automation Glossary*, Publication ICCG-7.1.

Calibration - Procedure, performed by trained personnel, where machine or press is dynamically loaded to impact on load cells. A process of linearity measuring to determine the loading capacity of the machine.

Calibration Number - Amplification values established during machine calibration or pre-assigned on force load cells.

Channel - Refers to one of two, strain gage inputs available on the modules terminal block.

Chassis - A hardware assembly that houses devices such as I/O modules, adapter modules, processor modules, and power supplies.

Configuration Word - Contains the channel configuration information needed by the module to configure and operate each channel. Information is written to the configuration word through the logic supplied in your ladder program.

Data Word - A 16-bit integer that represent the value of the analog input channel. The channel data word is valid only when the channel is enabled.

Gain - Amplification of an input signal.

Load/Force - Measurement of impact during a machine cycle. Sensors provide the input for this measurement.

LSB - (Least Significant Bit) Refers to a data increment defined as the full scale range divided by the resolution. The bit that represents the smallest value within a string of bits.

Remote Configuration - A control system where the chassis can be located several thousand feet from the processor chassis.

Resolution - The smallest detectable change in a measurement, typically expressed in engineering units (e.g. 0.15C) or as a number of bits. For example a 12-bit system has 4,096 possible output states. It can therefore measure 1 part in 4096.

Sample - Load/force values established from a series of machine cycles. Also defined as benchmark.

Sampling time - The time required by the A/D converter to sample an input channel.

Scale - Value used to describe the press/machine overall tonnage. Set for maximum value of one channel. For example, settings for a 150 ton press = 75.

Status Word - Contains status information about the channel's current configuration and operational state. You can use this information in your ladder program to determine whether the channel data word is valid.

Update Time - The time required for the module to sample and convert the input signals of all enables input channels and make the resulting data values available to the SLC processor.

**Common
Techniques
Used in this
Manual**

The following conventions are used throughout this manual:

- Bulleted lists such as this one provide information, not procedural steps.
- Numbered lists provide sequential steps or hierarchical information.

**Product
Support**

Contact your Helm representative or call Helm direct at 419-893-4356:

- sales and order support
- product technical training
- warranty support
- support service agreements

Your Questions or Comments on this Manual

If you have any suggestions for how this manual could be made more useful to you, please send us your ideas.

Overview

You have just purchased the most advanced load monitoring solution available. HELM INSTRUMENT COMPANY, INC. manufactures a complete line of load monitoring control solutions for use on metal stamping, forging, compaction and assembly presses; cold forming, cold heating, injection molding and die cast machines.

Standard or custom transducers and load cells are available for in-die monitoring of transfer or progressive tooling.

At HELM, quality is inherent not only in the design of our products but in the attitudes of our employees as well. We're working together to give you the best. After all, that's what our business is all about - providing innovative instrumentation to help make your manufacturing process more productive and your operation more effective.

The Helm Weigh Scale combines machine and tooling monitoring with programmable limit switch function. User programmable high and low limits protect the machine and tooling to ensure part quality.

Critical setup information can be stored and uploaded as part of a die recipe program. An optional resolver input module is used to compare machine/press tonnage to crank angle for real time signature analysis.

Components

The Helm Weigh Scale module is attached to the controller or to an adjacent I/O module on the din rail. The system is comprised of two parts; the input module and two Helm Strain gage based sensors.

Strain Gain Transducer Operation

The primary part of the load monitoring system centers around the measurement. The basic function of the Helm Strain Gain sensor is to detect the amount of deflection imposed on the press or die as parts are being formed. All Strain Gain sensors are matched to within 1% and therefore can be replaced without recalibration of the machine.

The Helm Strain Gain sensors can be mounted to strategic high stress areas of the machine frame or strategically located in tooling or applied to stop blocks. Signals from these sensors are routed to the Weigh Scale module for processing. The Helm Strain Gage is capable of measuring either a tension or compression signal.

Hardware Overview

The Weigh Scale module can be attached to the controller or to an adjacent I/O module before or after din rail mounting. It is a Class 1 module (uses eight input words and eight output words). It interfaces to strain gage based transducers (350ohm or 700ohm).

The module can accept input from two sensors. The module has no output channels. Module configuration requires manual and user programmable setup.

The Weigh Scale module receives and stores digitally converted analog data into its image table for retrieval by processor. The module supports connections from any combination of up to two strain gage sensors.

Any combination of Helm Strain Gage sensors can be used. Contact Helm for additional information on the type and application of different sensor options.



Getting Started

This chapter can help you to get started using the Helm Weigh Scale module. The procedures included here assume that you have a basic understanding of PLC products. You should understand electronic process control and be able to interpret the ladder logic instructions required to generate the electronic signals that control your application.

Because it is a start-up guide, this chapter does not contain detailed explanations about the procedures listed. It does, however, reference other chapters in this book where you can get more information about applying the procedures described in each step. It also references other SLC documentation that may be helpful if you are unfamiliar with programming techniques or system installation requirements.

If you have any questions or are unfamiliar with the terms used or concepts presented in the procedural steps, always read the referenced chapters and other recommended documentation before trying to apply the information.

This chapter will:

- Tell you what equipment you need
- Explain how to install and wire the module
- Show you how to set channels for the sensor input

Required Tools and Equipment

Have the following tools and equipment ready:

- Small blade screwdriver
- Appropriate strain gage cable
- Programming equipment (All programming examples shown in this manual demonstrate the use of Allen-Bradley's RS Logix 500.

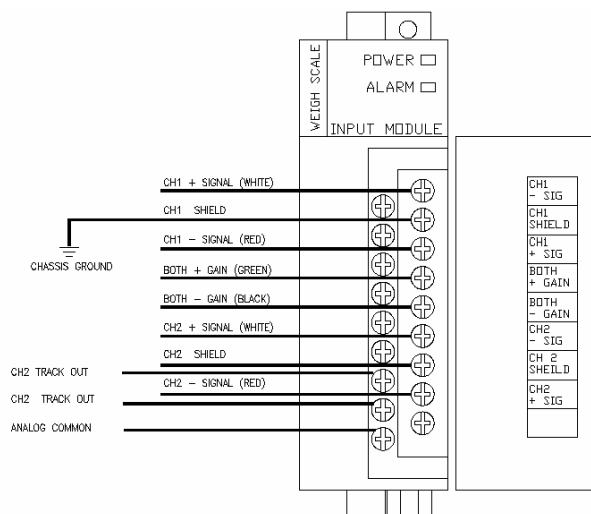
System Operation

The Weigh Scale module communicates to the processor through the parallel backplane interface and receives +5Vdc and +24Vdc power from the power supply through the backplane. No external power supply is required. The MicroLogix and CompactLogix platforms can support up to 8 I/O modules. You may install up to 3 Weigh Scale modules using the base power supply. An additional power supply can be added to support more than 3 modules. Refer to publication 17864-UM100A-US-P for information on expansion power supply systems.

Each individual channel on the module can receive input signals from strain gage based sensors. The module converts the analog values directly into digital values.

Sensor Wiring

The sensors are wired to the modules using the rightmost bank of inputs. The pin-out is shown below.



To ensure proper operation and high immunity to electrical noise, always use Helm strain gage cable.

To limit noise, keep strain gage cable as far away as possible from power and load lines.



The module can support up to two sensor inputs DO NOT attempt to parallel additional gages as you will cause damage to the module and void product warranty.

Channel Configuration Data and Status

This chapter explains how the Weigh Scale module and the processor communicate through the module's input and output image.

For **CompactLogix / RSLogix™ 5000** setup, please refer to Appendix A

With RS Logix500 software, verify the module ID code.

Weigh Scale Module ID Code = 1

Expansion General Configuration
Vendor ID = 3
Product Type = 9
Product Code = 1
Series/Major Rev/Minor Rev = D

No special I/O configuration (SPIO CONFIG) information is required. The module ID code automatically assigns the correct number of input and output words. The following memory map shows how the output and input image tables are defined.

Output Image The 8 word output image (output from the CPU to the module) contains information that you configure to define the way a specific channel will work. Example – If you want to configure channel 2 on the module located in slot 4 in the SLC chassis, your address would be O:4.2.

(o = file type : =element delimiter 4=slot . =word delimiter 2=word)

Bit	Reserved	O:e.0/0
Bit	Reserved	O:e.0/1
Bit	Reserved	O:e.0/2
Bit	Zero Stabilize 0=Off 1=On	O:e.0/3
Bit	LSD Flicker 0=Off 1=On	O:e.0/4
Bit	Vibration Filter 0=Off 1=On	O:e.0/5
Bit	Channel 2 Trim	O:e.0/6
Bit	Coarse Zero Up Adjust	O:e.0/7
Bit	Channel 1 Trim	O:e.0/8
Bit	Reserved	O:e.0/9
Bit	Reserved	O:e.0/10
Bit	Reserved	O:e.0/11
Bit	Coarse Zero Down Adjust	O:e.0/12
Bit	Clear Tare	O:e.0/13
Bit	Tare	O:e.0/14
Bit	Channel Toggle 0=CH1 1=CH2	O:e.0/15
Integer	Channel 1 Scale value	O:e.1
Integer	Channel 1 mV/V Setting	O:e.2
Integer	Channel 1 A/D Trim Setting	O:e.3
Integer	Channel 2 mV/V Setting	O:e.4
Integer	Channel 2 A/D Trim Setting	O:e.5
Integer	A/D Samples Setting	O:e.6
Integer	Channel 2 Scale value	O:e.7

Zero Stabilize Bit (O:e/3)

Enables module feature to display "0" when Weigh scale is empty.
0 = Disable 1 = Enable

Least Significant Bit (LSD) Flicker Bit (O:e/4)

LSD of weigh value. Does not change when load is applied or if load is constant.

Vibration Filter Bit (O:e/5)

Enables vibration filter to cancel out load variation due to vibration of product weighed. 0 = Disable 1 = Enable

Channel 2 Trim Bit (O:e/6)

Factory set bit to load Channel 2 trim value into module (Not for end user)

Coarse Zero Up Adjust Bit (O:e/7)

Used to increase offset of amplifier to set to range of A/D.

Channel 1 Trim Bit (O:e/8)

Factory set bit to load Channel 1 trim value into module (Not for end user)

Coarse Zero Down Adjust Bit (O:e/12)

Used to decrease offset of amplifier to set to range of A/D.

Clear Tare Bit (O:e/13)

Resets or removes tare value from module. (Used to initially setup module)

Tare Bit (O:e/14)

Sets weigh value to zero.

Channel Toggle Bit (O:e/15)

Used to switch from Channel 1 to Channel 2 when setting up channels.

Channel 1 Scale Value (Integer Word O:e.1)

Value of scale from capacity of load cell for Channel 1.

Channel 1 mV/V Setting (Integer Word O:e.2)

4 digit mV/V setting from load cell mV/V specification.

Channel 1 A/D Trim Setting (Integer Word O:e.3)

Factory set trim value for Channel 1. (Not for end user)

Channel 2 mV/V Setting (Integer Word O:e.4)

4 digit mV/V setting from load cell mV/V specification.

Channel 2 A/D Trim Setting (Integer Word O:e.5)

Factory set trim value for Channel 2. (Not for end user)

A/D Samples Setting (Integer Word O:e.6)

Sets number of samples (for averaging) of weigh value. (0-1000)

Channel 2 Scale Value (Integer Word O:e.7)

Value of scale from capacity of load cell for Channel 2.

Data Table Input Image

The 8-word module input image (input from the module to the CPU) represents data words and status words. Input words (data words) hold the input data that represents the values of the sensor inputs.

Input words (status bits) contain the various status conditions and reflect the configuration settings you have entered into the output configuration words.

(I =file type : =element delimiter 2 =slot . =word delimiter 0 =word / 2 =bit)

Bit	Reserved	I:e.0/0
Bit	Trim Mode	I:e.0/1
Bit	Reserved	I:e.0/2
Bit	Reserved	I:e.0/3
Bit	Reserved	I:e.0/4
Bit	Reserved	I:e.0/5
Bit	Reserved	I:e.0/6
Bit	Channel 1 Sign Bit	I:e.0/14
Bit	Channel 2 Sign Bit	I:e.0/15
Integer	Channel 1 Weigh Value	I:e.1
Integer	Channel 2 Weigh Value	I:e.2
Integer	Channel 1 A/D Trim Value	I:e.3
Integer	Reserved	I:e.4
Integer	Channel 2 A/D Trim Value	I:e.5
Integer	Communication Fault Counter	I:e.6
Integer	Reserved	I:e.7

Calibrate Mode Bit (I:e/1)

If set, module is in trim mode. Bit should always be clear.

Channel 1 Sign Bit (I:e/14)

If Channel 1 signal is positive value, Bit = 0 and negative value Bit = 1.

Channel 2 Sign Bit (I:e/15)

If Channel 2 signal is positive value, Bit = 0 and negative value Bit = 1.

**Input
Image
(cont.)****Channel 1 Weigh Value (I:e.1)**

Weigh value for Channel 1

Channel 2 Weigh Value (I:e.2)

Weigh value for Channel 2.

Channel 1 A/D Trim Value (I:e.3)

Value stored in module for Channel 1. Value should match value on sticker.

Channel 2 A/D Trim Value (I:e.5)

Value stored in module for Channel 2. Value should match value on sticker.

Communication Fault Counter (I:e.6)

Used to troubleshoot noise or ground loops. Associated with module faults to PLC.
Counter value should always be zero.

Integer File

Using RS Logix500 software, reserve an integer file for Weigh Module monitoring.

For illustration purposes in this manual, we have reserved Integer file N10:0 - N10:16.

Data	Description	Address
Bit	Channel 1 Sign Bit	N10:0/2
Bit	Channel 2 Sign Bit	N10:0/3
Integer	Faults	N10:2
Integer	Channel 1 A/D Trim	N10:5
Integer	Channel 2 A/D Trim	N10:6
Integer	Channel 1 Weigh Value	N10:8
Integer	Channel 2 Weigh Value	N10:9
Bit	Up Button	N10:16/1
Bit	Channel 2 A/D Trim Set Bit	N10:16/2
Bit	Down Button	N10:16/3
Bit	Channel 1 A/D Trim Set Bit	N10:16/4
Bit	Reset Zero	N10:16/9
Bit	Tare/Zero Button	N10:16/12
Bit	Channel Toggle Bit 0=CH1 1=CH2	N10:16/13

A complete listing of a sample ladder logic program is included at the back of this manual. Examples shown here are for reference.



All values are 0 (default) on initial start-up. This means that all alarms are disabled. You must make the following adjustments for proper operation:

- Balance sensor input(s)
 - Set Calibration numbers
-

Step 1. Balance Sensor Input.

1. Set mV/V to 2000.
2. Set Scale to 10000.
3. Press Clear Tare pushbutton.
4. Use Up and Down buttons to set amplifier to low range of A/D (20,000 counts)
5. Press Zero/Tare pushbutton.

Step 2. Set Calibration Numbers

1. Set Scale to capacity of load cell.
2. Set mV/V to load cell specification.
3. Example:
100 ton load cell, 2.025 mV/V
For scale set, enter 100
For mV/V set, enter 2025

System Trouble- shooting Guide

HT-400 Sensor Ohm Readings

Green-Black	350 ohms
Red-White	350 ohms
All other color combinations	266 ohms
All colors to Ground	open
Shield to Ground	open

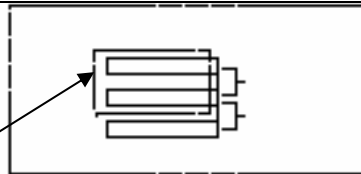
Electrical Specifications:

Type of input	Strain Gage (350 ohm, 700 ohm)
Input Impedance	10k
Display Resolution	Up to .0025% of full scale
Overall Module Accuracy	.01% of full scale
Module Update Time	10 μ sec
Number of Channels	2 (isolated)
A/D Conversion Method	Successive Approximation - 16 bit
Normal Mode Rejection: (between +/- input)	116DB CMRR
Amplifier Bandwidth	200 kHz
Calibration	Software Selectable
Isolation:	500 VDC continuous between inputs and chassis ground, and between input and backplane
LED indicators	2 LED's for Power and Alarm
Recommended Cable	Strain Gage Cable (Helm part number 6117)
Terminal Strip	16-pin removable
Operating Temperatures	0°C to 60°C (32°F to 140°F)
Hazardous Environment Classification	Class 1 Division 2 Hazardous Environment

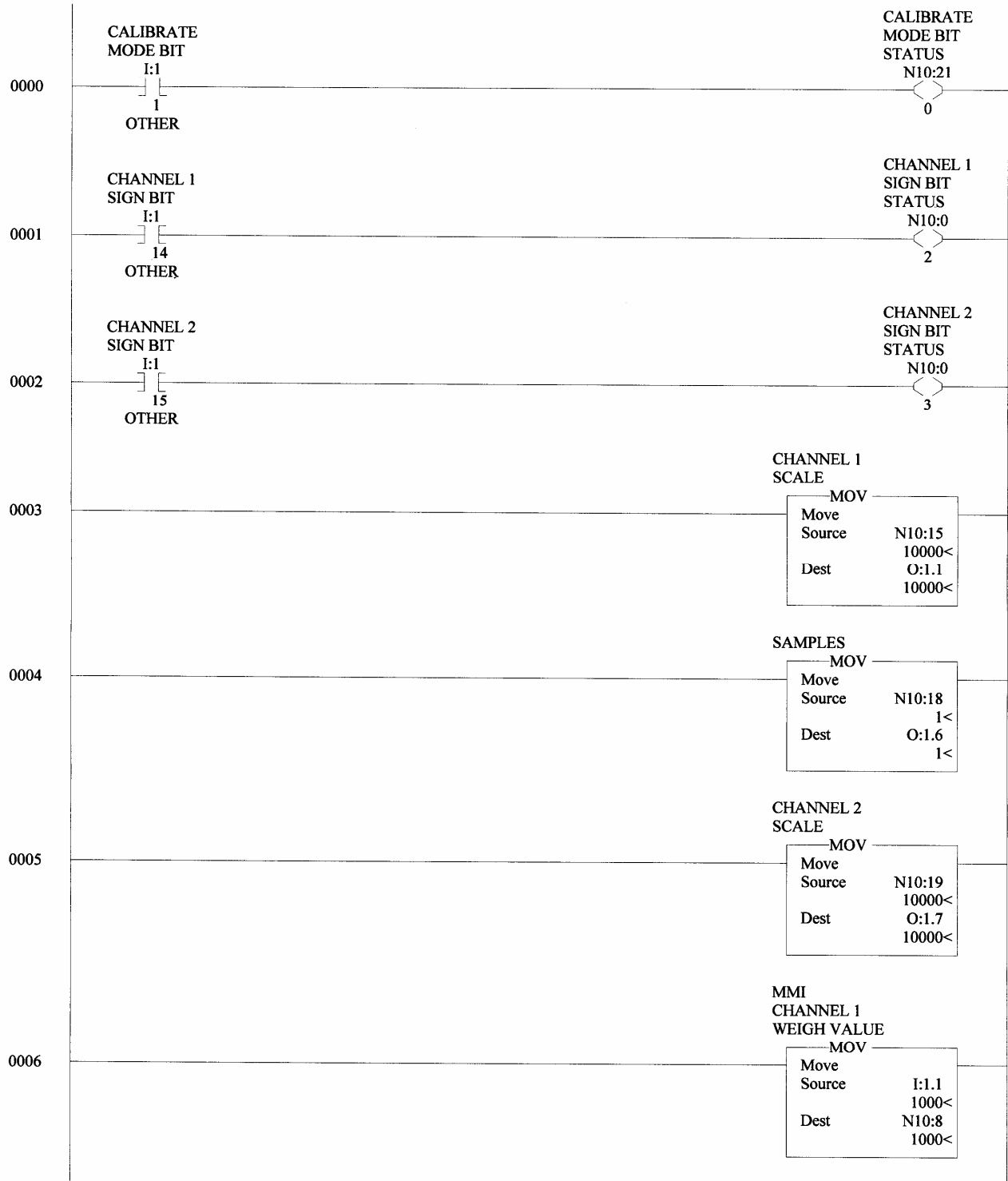
Trim Jumper

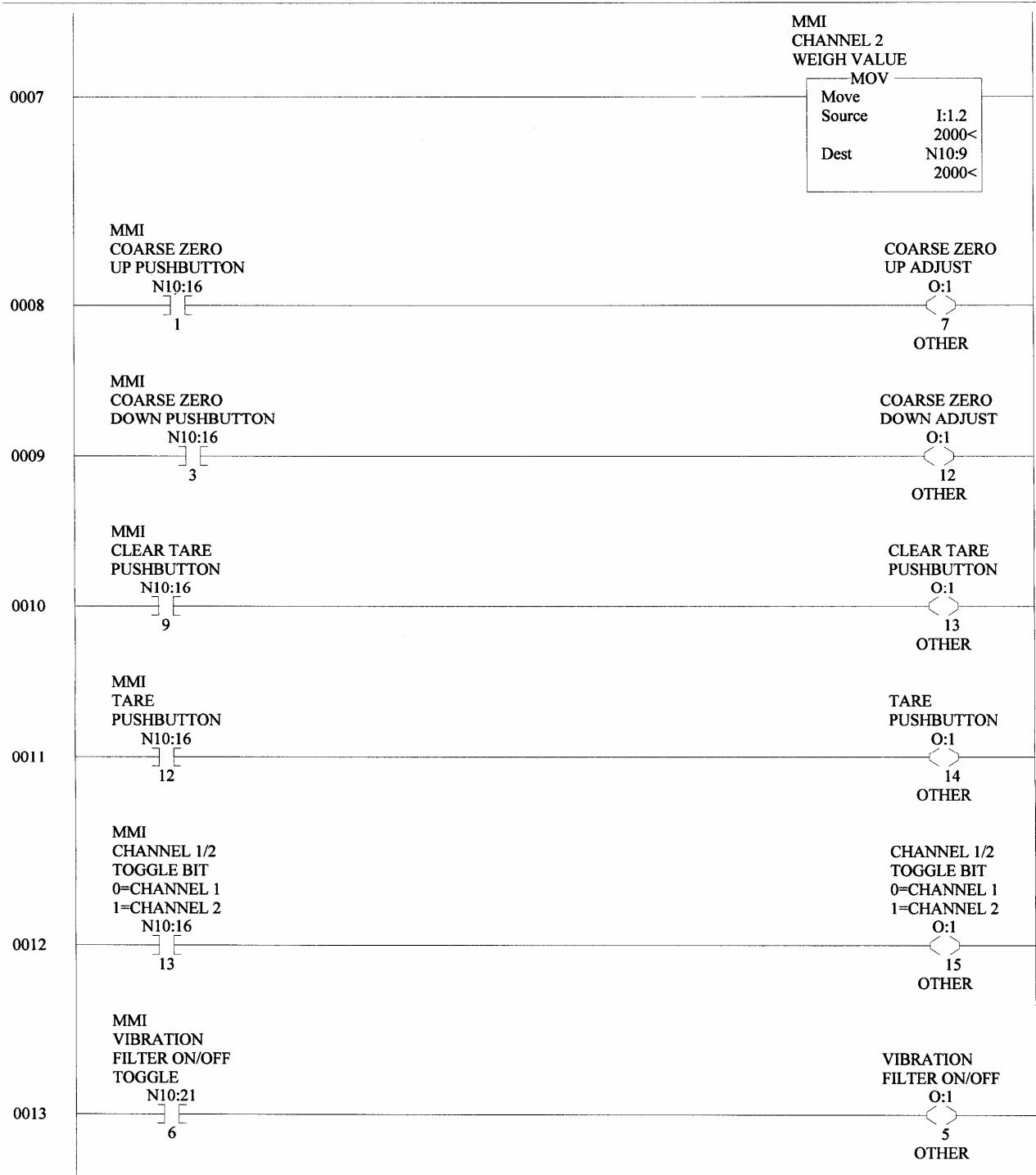
Located at Bottom
Left Corner of Module

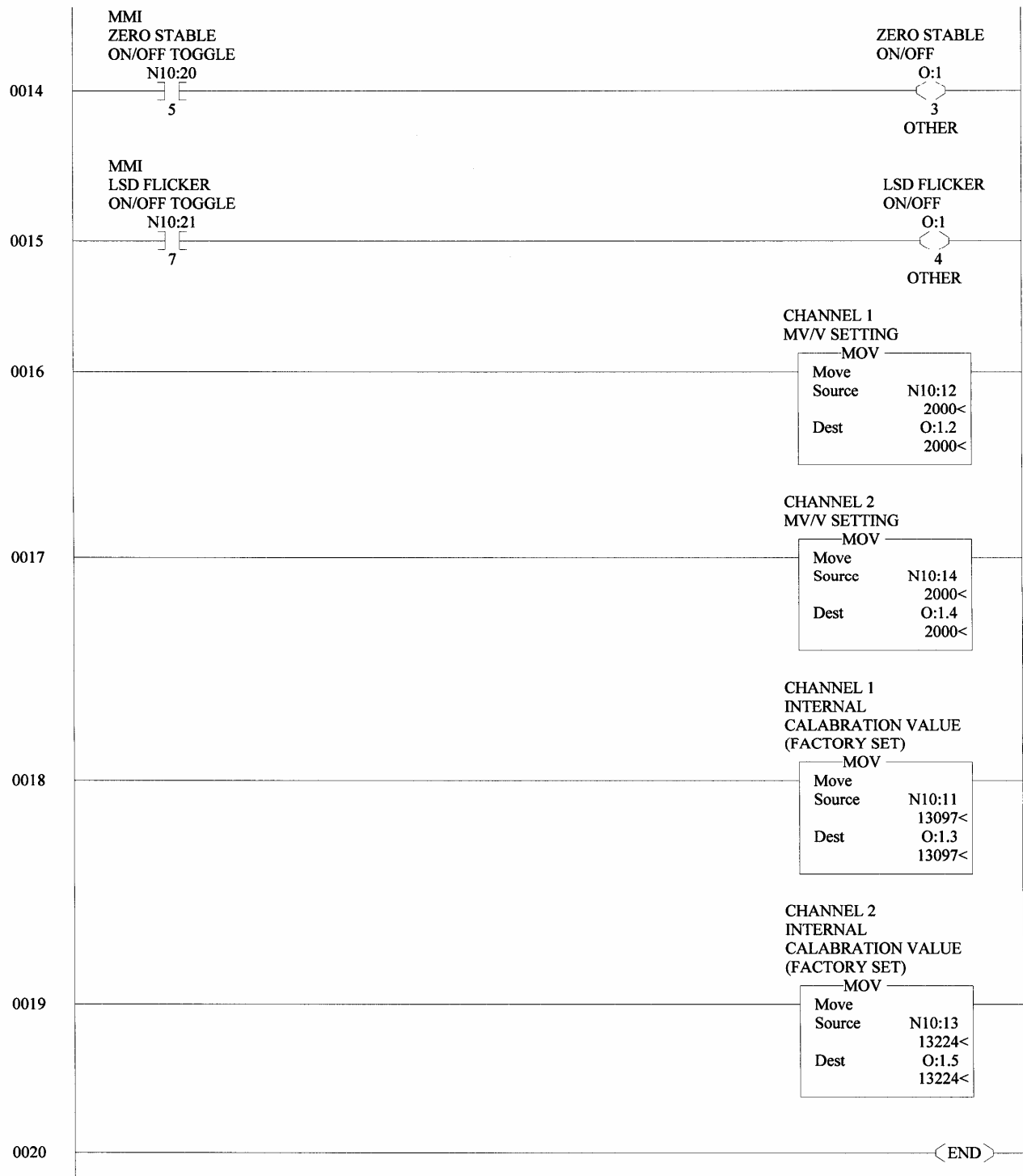
Black Jumper



Factory Jumper. Removing this
Jumper will cause module to
Become unstable.







APPENDIX A – Module Properties RSLogix™5000

The screenshot shows the 'Module Properties' dialog box for 'Local:1 (1769-MODULE 1.1)'. The 'Connection' tab is active. The 'General*' section contains the following fields: 'Type' is '1769-MODULE Generic 1769 Module', 'Parent' is 'Local', 'Name' is 'Weigh', 'Description' is empty, 'Comm Format' is 'Data - INT', and 'Slot' is '1'. The 'Connection Parameters' section contains three rows: 'Input' with Assembly Instance '101' and Size '8 (16-bit)', 'Output' with Assembly Instance '100' and Size '8 (16-bit)', and 'Configuration' with Assembly Instance '102' and Size '0 (16-bit)'. At the bottom, the status is 'Offline' and there are 'OK', 'Cancel', 'Apply', and 'Help' buttons.

Parameter	Assembly Instance	Size	Bit Width
Input	101	8	(16-bit)
Output	100	8	(16-bit)
Configuration	102	0	(16-bit)

The screenshot shows the 'Module Properties' dialog box for 'Local:1 (1769-MODULE 1.1)'. The 'Connection' tab is active. The 'General*' section contains the following fields: 'Requested Packet Interval (RPI)' is '2.0 ms', 'Inhibit Module' is unchecked, and 'Major Fault On Controller If Connection Fails While in Run Mode' is checked. Below these is a 'Module Fault' section with an empty text area. At the bottom, the status is 'Offline' and there are 'OK', 'Cancel', 'Apply', and 'Help' buttons.

0

MOVE SAMPLE SETPOINT FROM MMI SCREEN TO MODULE

WEIGH MODULE A/D
SAMPLES SETTING

MOV

Move	
Source	HM1525_CONTROL[1] 1
Dest	Local:1:O.Data[6] 1

1

MOVE SCALE SETPOINTS FROM MMI SCREEN TO MODULE

WEIGH MODULE CHANNEL
1 SCALE

MOV

Move	
Source	HM1525_CONTROL[2] 10000
Dest	Local:1:O.Data[1] 10000

WEIGH MODULE CHANNEL
2 SCALE

MOV

Move	
Source	HM1525_CONTROL[3] 10000
Dest	Local:1:O.Data[7] 10000

2

MOVE MV/V SETPOINTS FROM MMI SCREEN TO MODULE

WEIGH MODULE CHANNEL
1 MV/V SETTING

MOV

Move	
Source	HM1525_CONTROL[4] 2000
Dest	Local:1:O.Data[2] 2000

WEIGH MODULE CHANNEL
2 MV/V SETTING

MOV

Move	
Source	HM1525_CONTROL[5] 2000
Dest	Local:1:O.Data[4] 2000

TOGGLE VIBRATION FILTER, ZERO STABILIZE, FLICKER OFF/ON CONTROL FROM MMI SCREEN TO MODULE

3

VIBRATION FILTER
 OFF/ON TOGGLE
 HM1525_CONTROL[0].0

WEIGH MODULE
 VIBRATION FILTER
 OFF/ON
 Local:1:O.Data[0].5

ZERO STABLE OFF/ON
 TOGGLE
 HM1525_CONTROL[0].1

WEIGH MODULE ZERO
 STABLE OFF/ON
 Local:1:O.Data[0].3

LSD FLICKER OFF/ON
 TOGGLE
 HM1525_CONTROL[0].2

WEIGH MODULE LSD
 FLICKER OFF/ON
 Local:1:O.Data[0].4

COURSE ZERO UP, COURSE ZERO DOWN, CLEAR TARE, TARE, CHANNELS 1/2 PUSHBUTTONS FROM MMI SCREEN TO MODULE

4

COURSE ZERO UP
 PUSHBUTTON
 HM1525_CONTROL[0].3

ONE_SHOTS.0

WEIGH MODULE COURSE
 ZERO UP ADJUST
 Local:1:O.Data[0].7

COURSE ZERO DOWN
 PUSHBUTTON
 HM1525_CONTROL[0].4

ONE_SHOTS.1

WEIGH MODULE COURSE
 ZERO DOWN ADJUST
 Local:1:O.Data[0].12

CLEAR TARE
 PUSHBUTTON
 HM1525_CONTROL[0].5

WEIGH MODULE CLEAR
 TARE
 Local:1:O.Data[0].13

TARE PUSHBUTTON
 HM1525_CONTROL[0].6

WEIGH MODULE TARE
 Local:1:O.Data[0].14

CHANNELS 1/2 TOGGLE
 BIT
 HM1525_CONTROL[0].7

WEIGH MODULE
 CHANNELS 1/2 TOGGLE
 0=CH1 1=CH2
 Local:1:O.Data[0].15

CHANNELS 1 AND 2 DATA SIGN BITS FROM MODULE TO MMI SCREEN

5

WEIGH MODULE CHANNEL
 1 SIGN BIT
 Local:1:I.Data[0].14

MMI CHANNEL 1 SIGN
 BIT STATUS
 HM1525_STATUS[0].0

WEIGH MODULE CHANNEL
 2 SIGN BIT
 Local:1:I.Data[0].15

MMI CHANNEL 2 SIGN
 BIT STATUS
 HM1525_STATUS[0].1

CHANNELS 1 AND 2 WEIGH VALUES FROM MODULE TO MMI SCREEN
MMI WEIGH MODULE
CHANNEL 1 WEIGH
VALUE
MOV

6

Move
Source Local:1:I.Data[1]
207
Dest HM1525_STATUS[1]
207

MMI WEIGH MODULE
CHANNEL 2 WEIGH
VALUE
MOV

Move
Source Local:1:I.Data[2]
207
Dest HM1525_STATUS[2]
206

(End)

Free Manuals Download Website

<http://myh66.com>

<http://usermanuals.us>

<http://www.somanuals.com>

<http://www.4manuals.cc>

<http://www.manual-lib.com>

<http://www.404manual.com>

<http://www.luxmanual.com>

<http://aubethermostatmanual.com>

Golf course search by state

<http://golfingnear.com>

Email search by domain

<http://emailbydomain.com>

Auto manuals search

<http://auto.somanuals.com>

TV manuals search

<http://tv.somanuals.com>