

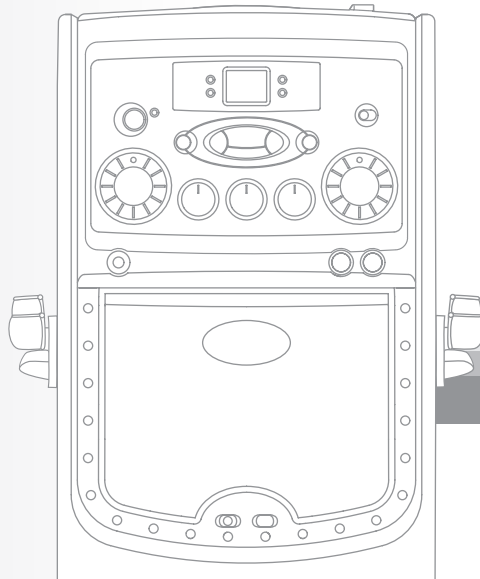


# Instruction Manual Manual De Instrucción Manuel D'instruction

## **SMB-664**

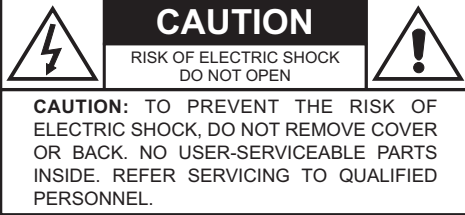
- **COMPACT DISC + GRAPHICS  
WITH BUILT-IN DISCO LIGHT  
KARAOKE CENTER**
- **CD + DISEÑOS CON  
CENTRO DE KARAOKE CON  
LUCES DE DISCOTECA**
- **COMPACT DISQUE + GRAPHIQUES  
AVEC CENTRE DE LUMIÈRE DISCO  
KARAOKE ENCASTRÉ**

Please read before using this unit.  
Lea antes de usar esa unidad.  
Veuillez lire avant d'utiliser cet appareil.



# WARNINGS

**WARNING:** TO REDUCE THE RISK OF FIRE OR SHOCK HAZARD, DO NOT EXPOSE THIS PRODUCT TO RAIN OR MOISTURE.



The CAUTION marking is located on the bottom panel.



This symbol is intended to alert you to the presence of uninsulated dangerous voltage within the product's enclosure that might be of sufficient magnitude to constitute a risk of electric shock. Do not open the product's case.



This symbol is intended to inform you that important operating and maintenance instructions are included in the literature accompanying this product.

## DRIPPING WARNING

The product shall not be exposed to dripping or splashing and that no objects filled with liquids, such as vases, shall be placed on the product.

## VENTILATION WARNING

The normal ventilation of the product shall not be impeded for intended use.

**COMPLIES WITH DHHS RADIATION PERFORMANCE STANDARDS, 21 CFR SUB. CHAPTER J. THIS DEVICE COMPLIES WITH PART 15 OF THE FCC RULES, OPERATION IS SUBJECT TO THE FOLLOWING TWO CONDITIONS: (1) THIS DEVICE MAY NOT CAUSE HARMFUL INTERFERENCE, AND (2) THIS DEVICE MUST ACCEPT ANY INTERFERENCE RECEIVED, INCLUDING INTERFERENCE THAT MAY CAUSE UNDESIRE OPERATION.**

## CERTIFICATION:

THIS PRODUCT COMPLIES WITH 21 CFR CHAPTER 1, SUBCHAPTER J OF DHHS REGULATIONS.

**COMPLIES WITH THE LIMITS FOR A CLASS B DIGITAL DEVICE, PURSUANT TO PART 15 OF THE FCC RULES.**

## SERVICEMAN CAUTION:

SEE WARNING NOTICE ON THE INSIDE OF BACK COVER.

This CD player is made and tested to meet exacting safety standards. It meets FCC requirements and complies with safety performance standards of the U.S. Department of Health and Human Services.

## Warnings:

- This CD player employs a laser light beam. Only a qualified service person should remove the cover or attempt to service this device, due to possible eye injury.
- The use of controls, adjustments, or procedures other than those specified herein might result in hazardous radiation exposure.
- The apparatus shall be used in an open area.

## CAUTION

This compact disc player is classified as a CLASS 1 LASER product.

The CLASS 1 LASER PRODUCT label is located on the bottom panel.



## CAUTION!

Invisible laser radiation when open and inter locks defeated. Avoid exposure to beam.

## IMPORTANT

Since CD circuitry may cause interference to other radio tuners nearby, switch this unit off when not in use or move it away from the affected radio tuner.

**This class[B] digital apparatus complies with Canadian ICES-003.**

# IMPORTANT SAFETY INSTRUCTIONS

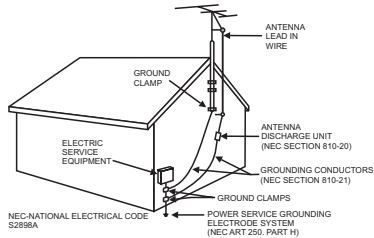
1. **Read Instructions** - All the safety and operating instructions should be read before the product is operated.
2. **Retain Instructions** - The safety and operating instructions should be retained for future reference.
3. **Heed Warnings** - All warnings on the product and in the operating instructions should be adhered to.
4. **Follow instructions** - All operating and use instructions should be followed.
5. **Cleaning** - Unplug this product from the wall outlet before cleaning. Do not use liquid cleaners or aerosol cleaners. Use a damp cloth for cleaning the exterior only. Do NOT attempt to clean the inside.
6. **Attachments** - Do not use attachments not recommended by the product manufacturer as they may cause hazards.
7. **Water and Moisture** - Do not use this product near water - for example, near a bath tub, wash bowl, kitchen sink, or laundry tub; in a wet basement, or near a swimming pool, and the like.
8. **Accessories** - Do not place this product on an unstable cart, stand tripod, bracket, or table. The product may fall, causing serious injury to a child or adult, and serious damage to the product. Use only with a cart, stand, tripod, bracket, or table recommended by the manufacturer, or sold with the product. Any mounting of the product should follow the manufacturer's instructions, and should use a mounting accessory recommended by the manufacturer.
9. A product and cart combination should be moved with care. Quick stops, excessive force, and uneven surfaces may cause the appliance and cart combination to overturn.



10. **Ventilation** - Slots and openings in the cabinet are provided for ventilation and to ensure reliable operation of the product and to protect it from overheating, and these openings must not be blocked or covered. The openings should never be blocked by placing the product on a bed, sofa, rug, or other similar surface. This product should not be placed in a built-in installation such as a bookcase or rack unless proper ventilation is provided.
11. **Power Sources** - This product should be operated only from the type of power source indicated on the marking label. If you are not sure of the type of power supply to your home, consult your product dealer or local power company. For products intended to operate from battery power, or other sources, refer to the operating instruction.
12. **Grounding or Polarization** - This product may be equipped with a polarized alternating current line plug (a plug having one blade wider than the other). This plug will fit into the power outlet only one way. This is a safety feature. If you are unable to insert the plug fully into the outlet, try reversing the plug. If the plug should still fail to fit, contact your electrician to replace your obsolete outlet. Do not defeat the safety purpose of the polarized plug.  
  
**Alternate Warnings** - This product may be equipped with a three-wire grounding-type plug, a plug having a third (grounding) pin. This plug will only fit into a grounding-type power outlet. This is a safety feature. If you are unable to insert the plug into the outlet, contact your electrician to replace your obsolete outlet. Do not defeat the safety purpose of the grounding-type plug.
13. **Power-Cord Protection** - Power supply cords should be routed so that they are not likely to be walked on or pinched by items placed upon or against them, paying particular attention to cords at plugs, convenience receptacles, and the point where they exit from the product.
14. **Protective Attachment Plug** - The product is equipped with an attachment plug having overload protection. This is a safety feature. See Instruction Manual for replacement or resetting of protective device. If replacement of the plug is required, be sure the service technician has used a replacement plug specified by the manufacturer that has the same overload protection as the original plug.

# IMPORTANT SAFETY INSTRUCTIONS

- 15. Outdoor Antenna Grounding** - If an outside antenna is connected to the receiver, be sure the antenna system is grounded so as to provide some protection against voltage surges and built-up static charges. Article 810 of the National Electrical Code, ANSI/NFPA 70, provides information with regard to proper grounding of the mast and supporting structure, grounding of the lead-in wire to an antenna-discharge unit, size of grounding conductors, location of antenna-discharge unit, connection to grounding electrodes, and requirements for the grounding electrode. See figure:



- 16. Lightning** - For added protection for this product during a lightning storm, or when it is left unattended and unused for long periods of time, unplug it from the wall outlet and disconnect the antenna or cable system. This will prevent damage to the product due to lightning and power-line surges.
- 17. Power Lines** - An outside antenna system should not be located in the vicinity of overhead power lines or other electric light or power circuits, or where it can fall into such power lines or circuits. When installing an outside antenna system, extreme care should be taken to keep from touching such power lines or circuits as contact with them might be fatal.
- 18. Overloading** - Do not overload wall outlets, extension cords, or integral convenience receptacles as this can result in a risk of fire or electric shock.
- 19. Object and Liquid Entry** - Never push objects of any kind into this product through openings as they may touch dangerous voltage points or short-out parts that could result in a fire or electric shock. Never spill liquid of any kind on the product.
- 20. Servicing** - Do not attempt to service this product yourself as opening or removing covers may expose you to dangerous voltage or other hazards. Refer all servicing to qualified service personnel.
- 21. Damage Requiring Service** - Unplug this product from the wall outlet and refer servicing to qualified service personnel under the following conditions:
- When the power-supply cord or plug is damaged,
  - If liquid has been spilled, or objects have fallen into the product,
  - If the product has been exposed to rain or water,
  - If the product does not operate normally by following the operating instructions. Adjust only those controls that are covered by the operating instructions as an improper adjustment of other controls may result in damage and will often require extensive work by a qualified technician to restore the product to its normal operation.
  - If the product has been dropped or damaged in any way, and
  - When the product exhibits a distinct change in performance - this indicates a need for service.
- 22. Replacement Parts** - When replacement parts are required, be sure the service technician has used replacement parts specified by the manufacturer or have the same characteristics as the original part. Unauthorized substitutions may result in fire, electric shock, or other hazards.
- 23. Safety Check** - Upon completion of any service or repairs to this product, ask the service technician to perform safety checks to determine that the product is in proper operating condition.
- 24. Wall or Ceiling Mounting** - The product should be mounted to a wall or ceiling only as recommended by the manufacturer.
- 25. Heat** - The product should be situated away from heat sources such as radiators, heat registers, stoves, or other products (including amplifiers) that produce heat.

## INTRODUCTION

---

Your Compact Disc + Graphics with built-in Disco Light Karaoke Center will provide you with many years of fun and entertainment. It can let you be the “star” as you sing along with your favorite recordings and hear your voice with the music through the system’s speaker.

This Karaoke Center is easy to use, yet full of features with a compact design. After just a few simple instructions, you will become an expert. Before you use your unit, please glance through this manual to familiarize yourself with all the features available and the sections of the manual that describe their operation. Next, go to the section for the specific operation you wish to perform.

For your easy reference, listed here are some of the main features of this Karaoke Center:

**Lyrics on TV screen** - displays the lyrics with the tempo of music when playing CD+G discs.

**Disco Light** - lets you sing along with different disco lighting modes.

**Auto Voice Control** - lets you replace the original singer's voice with your own voice when any prerecorded, multiplex karaoke disc or tape is played. To activate, just rotate Mic Volume to a comfortable listening level, and Auto Voice Control for the best balance between playback and microphone levels.

**Balance Control** - lets you adjust the balance between the prerecorded original singer's voice and the music if you use a multiplex karaoke disc.

**Echo Control** - lets you add an echo to enrich your voice for a concert hall effect.

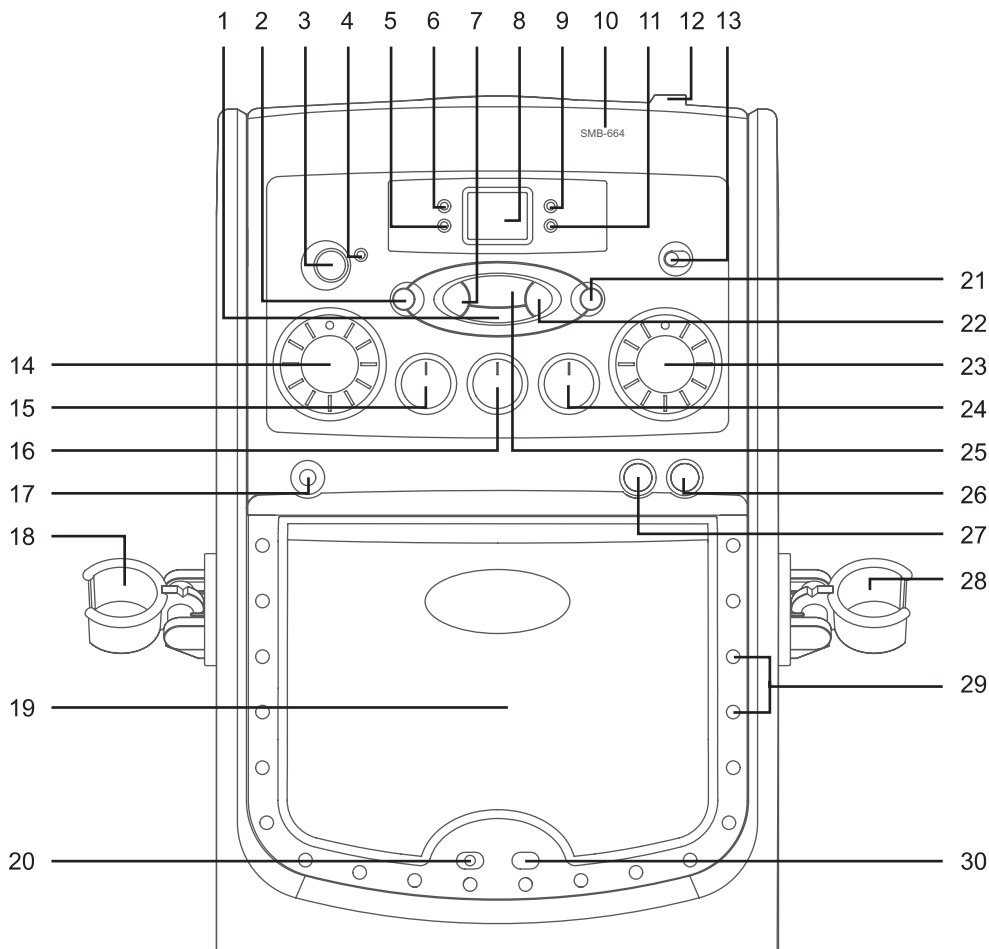
**Master Volume Control** - lets you turn the volume control clockwise or counter-clockwise until desired volume level is obtained.

**Built-In Speaker** - lets you share the music with your family or friends.

**Auxiliary Output Jacks** - lets you connect another audio output component, such as an equalizer/booster or a PA system.

**Headphone Jack** - lets you connect the headphones instead of using the built-in speaker.

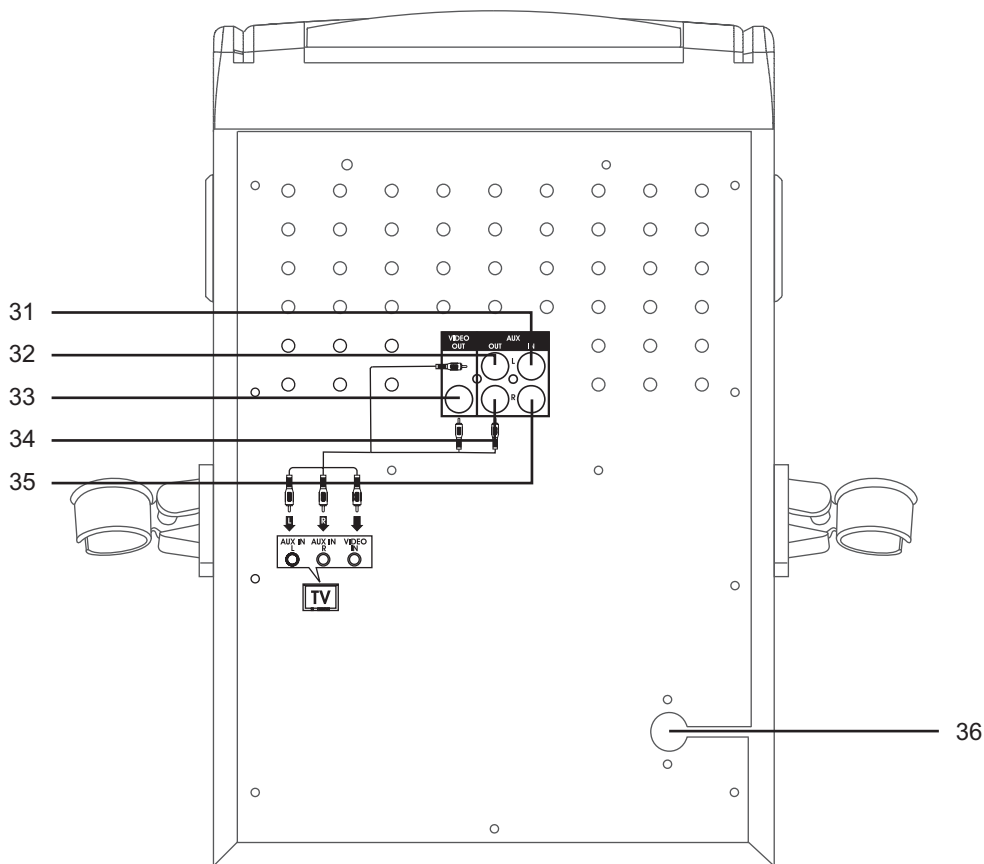
# CONTROL LOCATIONS



## FRONT VIEW

- |                   |                                       |                               |
|-------------------|---------------------------------------|-------------------------------|
| 1. STOP Button    | 13. FUNCTION SELECT                   | 23. MIC Volume Control        |
| 2. PROGRAM Button | 14. Master Volume Control             | 24. ECHO Control              |
| 3. ON/OFF Button  | 15. Auto Voice Control                | 25. PLAY/PAUSE Button         |
| 4. ON/OFF LED     | 16. BALANCE Control                   | 26. MIC 2 Jack                |
| 5. REPEAT LED     | 17. Headphone Jack                    | 27. MIC 1 Jack                |
| 6. PROGRAM LED    | 18. MIC Holder                        | 28. MIC Holder                |
| 7. SKIP Button ◀◀ | 19. Loudspeaker                       | 29. Disco Light               |
| 8. LED Display    | 20. LIGHT switch (OFF /MUSIC/PATTERN) | 30. LIGHT PATTERN MODE Button |
| 9. PLAY/PAUSE LED | 21. REPEAT Button                     |                               |
| 10. Model Number  | 22. SKIP Button ▶▶                    |                               |

# CONTROL LOCATIONS



## REAR VIEW

- 31. AUX IN Jack (L)
- 32. AUX OUT Jack (L)
- 33. VIDEO OUT Jack

- 34. AUX OUT Jack (R)
- 35. AUX IN Jack (R)
- 36. AC Power Cord

## MAKING THE CONNECTIONS

### CONNECTING POWER

You can power the system from a standard AC outlet by using the supplied power cord.

**CAUTION:** The supplied AC power cord has a polarized plug that fits into the wall outlet only one way. If the plug does not fit properly, turn it over and try again. Do not force it.

### CONNECTING TO YOUR HEADPHONE

A Headphone Jack is provided for using headphones instead of the built-in speaker. (Headphones are sold separately.)

### CONNECTING TO YOUR TV

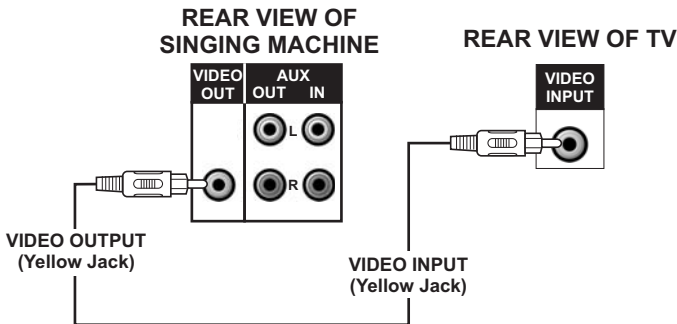
The Singing Machine provides a patch cord to give you the option of connecting your unit to an external audio/sound system and video device. The patch cord has three RCA jacks at each end. White and Red are for left and right audio connections and the yellow is for connecting the video.

Make sure that you have a CDG disc in the Singing Machine and playing when you are making this connection. You will know you have the proper settings on your TV or VCR as soon as you see the Singing Machine logo or lyrics on the screen!

### VIDEO CONNECTION

Please follow the steps below to display CDG lyrics on the TV screen:

- (1) Locate the multi-colored patch cords.
- (2) Connect video cable (yellow) to the Video Out of the back of the Singing Machine.
- (3) Connect the other end of the video cable (yellow) to the Video Input on your TV or VCR.





## MAKING THE CONNECTIONS

If your television does not have the required Video Input, you will need an RF Modulator (Radio Frequency Modulator), which connects through your TV Antenna or cable line and serves as Video Input.

An RF Modulator can be purchased at almost any consumer electronics retailer. If you are connecting the video from the Singing Machine to either a television or a VCR video input jack, you must specify the source the TV or VCR is to display. Your TV or VCR user guide can tell you how to display the video signal from the 'Video In' jack.

If you don't have the manual for your TV or VCR we suggest calling the TV or VCR manufacturer's customer service department. Only the manufacturer will be able to tell you very quickly how to configure your TV or VCR to display the video signal coming from the 'Video Input' jack.

\* Note: Some projection TV sets do not display the standard blue background used on most CDGs properly. If the background color is inconsistent or flashing, please try connecting your Singing Machine to a standard tube television.

### COMMON WAYS TO CONFIGURE YOUR TV OR VCR

Your Singing Machine is designed to connect to your TV the same way you would connect a video camera, VCR or video game. The Singing Machine is constantly sending the video and audio signals to the 'Video Out' and 'AUX OUT' jacks whenever you play a CDG. So, load a CDG into your Singing Machine before you start making these connections. You will see lyrics on the TV screen as soon as you get the setup completed correctly.

We refer to TV/VCR because manufacturers use very similar ways to connect TVs and VCRs and you can connect your Singing Machine to a TV, VCR or satellite system. The setup of your TV/VCR is the most difficult part of making the connection for displaying your Singing Machine lyrics. In most homes, the TV has either a cable connected or antennae in use. Once you connect your Singing Machine to the TV/VCR, you must 'tell' your TV/VCR to display the input from the Singing Machine instead of the usual input from the cable or antennae.

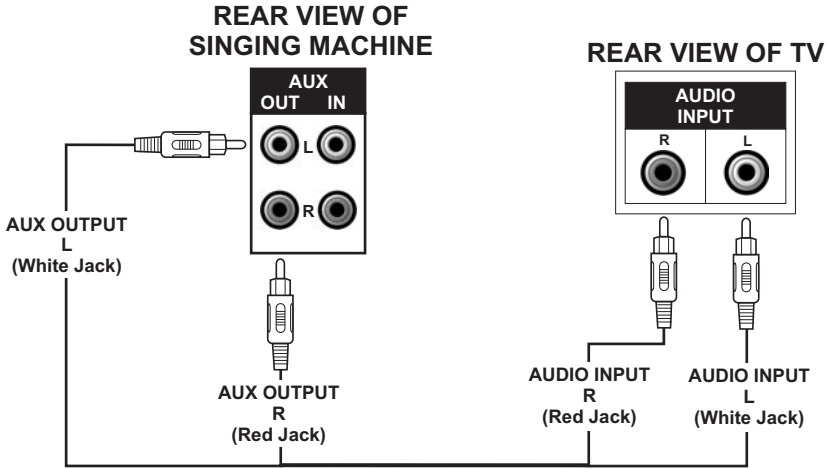
Check your TV/VCR user manual for the easiest way to setup your particular entertainment system. If you don't have your manual you can always call your TV/VCR manufacturer for that information or try hitting their website for online assistance. We've listed below the most common ways of setting up a TV/VCR:

- (1) In the setup menu for configuring the TV/VCR there may be an option on 'Input Selection' where you may choose between 'Cable/Ant.', 'Video 1', or 'Video 2' etc. as the input source.
- (2) Try looking for a 'Video' channel between the highest channel and the lowest channel on your TV or VCR. (i.e. Between 99 and 2 may be 'VIDEO' or 'INPUT' or 'GAME')
- (3) Look for a button on the remote control for the TV/VCR you are connecting to that says 'VIDEO', 'VIDEO 1', 'Game', 'AUX', 'EXT', 'LINE1', 'LINE-IN' or occasionally the 'VCR' button will display the Video input source.

## MAKING THE CONNECTIONS

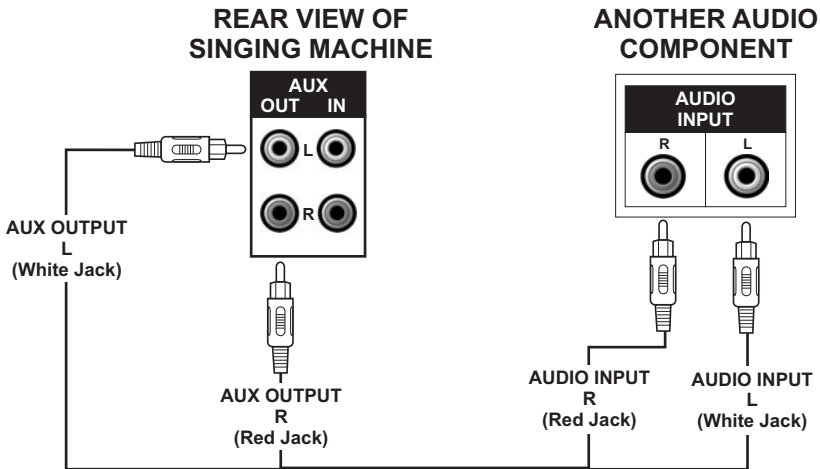
### AUDIO CONNECTION

Connect the unit to your TV or home stereo system using the White and Red connections on the supplied patch cord. Plug the white end of the patch cord into the white AUX OUT jack on the unit. Plug the red end of the patch cord into the red AUX OUT jack on unit. Now connect the other end of the cable's white (left channel) and red (right channel) plugs to your TV or home stereo system's 'AUDIO IN' or 'AUX IN' jacks.



### FOR CONNECTING AN AUDIO COMPONENT FOR OUTPUT


To connect an audio component (such as a power amplifier or PA system amplifier) so you can hear the system's music & vocal through it, plug the audio component into the AUX OUT jacks.



## CD OR CD+G OPERATION

- \* **Warning - Tapping or dropping the microphone while it is on can permanently damage your microphone. Resist the urge to swing the microphone around by the cord!**

### PREPARATION

- This unit is designed to play CD's bearing the identification logo "  ". If CD's do not conform to the CD standard, they may not play properly.
- Fingerprints and dust should be carefully wiped off with a soft cloth. Wipe in a straight motion from the center of the disc to the outside edge.
- Never use chemicals, such as record cleaning sprays, antistatic sprays or fluids, benzene or thinner to clean compact discs. These chemicals will permanently damage the plastic surface of the disc.
- Always place the compact disc on the disc tray with the label facing upward. Compact discs can be played on only one side.
- To remove a disc from its storage case, press down on the center of the case and lift the disc out, holding it carefully by the edges.
- Discs should be returned to their cases after use to protect them from dust and scratches.
- To prevent warping the disc, do not expose it to direct sunlight, high humidity or high temperatures for extended periods of time.
- Do not apply paper or write anything on either side of the disc. The inks used in some felt-tips pens may damage the surfaces of the disc.

### PLAYING CD OR CD+G DISC

- Adjust MASTER VOLUME control on your unit, TV or audio system to a comfortable level.
- Adjust MIC/ECHO/BALANCE controls as needed to achieve the desired mix of music and vocals through your sound system.
- Do not press the disc cover of the CD compartment while it's playing.
- Never place anything except a compact disc on the disc tray. Foreign objects can damage the unit.
- Do not apply excessive force to disc cover.
- Only place one disc on the disc tray at a time.

### TURNING POWER ON/OFF

- To turn on the Karaoke center, press the ON/OFF button, the ON/OFF LED Indicator will light up.
- To turn off the system, press the ON/OFF button again, the ON/OFF LED Indicator will turn off.

### FUNCTION SELECT

Set the FUNCTION SELECT switch to CDG.

### LOADING A DISC

- Lift up the CD door to open the CD/CDG compartment. Place a disc in the compartment with the printing side facing upward and the shiny side facing down.
- Gently close the CD door to the CD/CDG compartment. The LED window will display total number of track. (If no disc is loaded, it will display " - -".)

***(Refer to the Trouble Shooting Guide on page E14 if a disc is loaded but the total tracks do not appear.)***

## CD OR CD+G OPERATION

### PLAY/PAUSE MODE

- To start playing, press the PLAY/PAUSE button. The first track [ 1 ] and the PLAY/PAUSE LED will be lit.
- To temporarily stop playing, press the PLAY/PAUSE button. The PLAY/PAUSE LED Indicator will flash.
- To resume play, press this button again.

### STOP MODE

If the STOP button is pressed in the course of playing, the disc will cease to play. (The total number of tracks will be shown on the LED window.)

### SKIP (For both CD and CDG discs)

- During STOP mode, you can skip up or down to your desired track number by pressing a SKIP button (◀◀-SKIP-▶▶).
- To resume playing the selected song, press PLAY/PAUSE button.

### SEARCH (For audio CD disc only)

When playing any audio CD, press and hold the SKIP button ( ◀◀-SKIP-▶▶ ). The CD will search at high speed in the forward or backward direction. Normal play will continue when you release the button.

### REPEAT

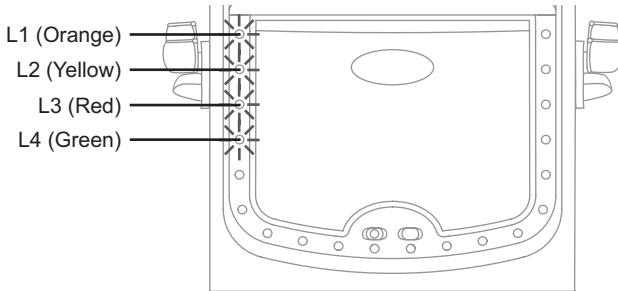
- To repeat the track currently playing, press the REPEAT button once. The REPEAT LED will start to flash.
- To repeat all tracks, press the REPEAT button twice. The REPEAT LED will light up and stay lit. Press the PLAY/PAUSE button to begin.
- To clear the REPEAT function, press the REPEAT button again. The REPEAT LED will turn off.

### PROGRAM

- Use this button to program and play back songs in a preselected order.
  - Step 1: Programming should be done in the stop mode only. Press the PROGRAM key until the PROGRAM LED flashes, the track will read [ 0 ].
  - Step 2: Press the double arrow keys ( ◀◀-SKIP-▶▶ ) to select a desired track.
  - Step 3: Press PROGRAM key to confirm entry. You can repeat the same steps up to a maximum of **20** tracks.
  - Step 4: Press PLAY when you have completed programming and you are ready to start singing.
- Press the STOP button to clear all the programmed entries.

## DISCO LIGHT OPERATION

- Select the LIGHT switch to MUSIC position, the light bulbs will be flashing according to the output sound level.
- To turn off Disco Light function, select the LIGHT switch to OFF position.
- Select the LIGHT switch to PATTERN position, then press LIGHT PATTERN MODE button repeatedly to enjoy the 8 kinds of light flashing effects as per the below table.



### Mode 1

Combination Mode - Under this mode, the six pattern modes of Mode 2 to Mode 7 will take place in order alternatively.

### Mode 2

Back and forth wavy gleam - There will be fast and slow gleaming. Fast, slow, fast gleaming... will take place alternatively. Under each cycle, the direction of gleaming will change from forth to back at certain intervals.

### Mode 3

Gleaming round the loop - The bulb glows in the order L1L2->L2L3->L3L4->L4L1->L1L2..., there will be four states taking place at certain intervals in order.

### Mode 4

Single light bulb will glow and dim, and the sequence is L1->L2->L3->L4->L1..., when one bulb dims, the one at its back will glow. The back one will glow to its brightest when the preceding one completely dims off. There are 3 speeds for dimming, and will take place at certain intervals alternatively.

### Mode 5

Gleaming round the loop forward and backward, gleaming and dimming. There will be gleaming round the loop forward (L1L2->L2L3->L3L4->L4L1->L1L2...) glittering gleaming round the loop backward. (L4L3->L3L2->L2L1->L1L4->L4L3...) glittering gleaming round the loop forward... taking place alternatively.

### Mode 6

Four bulbs gleam and dim together. There are three speeds of gleaming and dimming, taking place alternatively at certain intervals.

### Mode 7

Glittering and gleaming round the loop at the same time. (L1L2->L2L3->L3L4->L4L1->L1L2...)

### Mode 8

All the light bulbs remain gleamed.

## CARE AND MAINTENANCE

### POWER SWITCH

After using the unit, turn off the power by pressing the ON/OFF button.

### CLEANING THE UNIT

To clean the exterior of the unit, simply wipe with a soft clean cloth moistened with plain lukewarm water.

### CLEANING THE CD LASER LENS

For the Best Results: Use a CD-lens cleaning Disc according to the cleaning disc manufacturer instructions.

If a lens cleaning disc is not available, use a clean, soft, dry cotton cloth to gently wipe the small, glass, fish-eye laser lens located in the CD players.



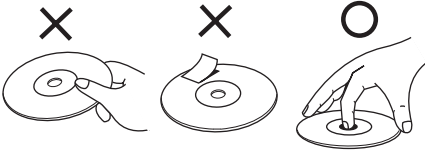
**NOTE: Do not use detergent or abrasive cleaning agents, for they can damage the disc.**



**To prevent fire or shock hazard, disconnect your stereo system from the AC power plug when cleaning.**

### COMPACT DISC HANDLING DISC

Although the music tracks in the disc are covered with a protective layer, it is still advisable to treat the disc carefully. Ensure that you always pick up discs by the edge, and put them back in their holders immediately after use.



### CD PLAYER

The player mechanism is fitted with self-lubricating bearings and must not be oiled or greased.

# TROUBLE SHOOTING GUIDE

If you have followed the instructions and are having difficulty operating the unit, locate the **PROBLEM** in the left column below. Check the corresponding **POSSIBLE CAUSE** column to locate and remedy the problem.

PROBLEM	POSSIBLE CAUSE	SOLUTION
No power when POWER is on.	No power plug connection at the AC outlet.	Insert the power plug into the AC outlet.
No power when plugged in.	The AC outlet may not have power.	Check the outlet with a working lamp or other electrical appliance.
No sound.	Volume control is set to minimum.	Turn up the volume.
	Volume control on TV set/PA system is set to minimum.	Turn up the volume at TV/PA system.
	TV set/PA system power is OFF.	Turn on the power at TV/PA system.
	AUX OUT jacks not connected.	Follow directions on page E9 for 'Audio Connection'.
	The wrong function is selected.	Select the correct function.
CD PLAYER Cannot work normally or "E", "E", or "00" are displayed.	Disc is inserted upside down.	Insert disc correctly.
	Disc is dirty.	Wipe clean with soft cloth.
	Disc is scratched.	Use a new disc.
	Disc is warped.	Use a new disc.
	A nonstandard disc is inserted.	Only use discs bearing standard logo as described on page E10.
	Moisture has formed inside the CD deck.	Wait about 20 to 30 minutes to let it dry out.
	Singing Machine needs to be reset.	Disconnect the machine from power source for 30 seconds.
No sound - If audio is going through home stereo.	Source Selection on your stereo is not set properly.	Select AUX IN as the source for your home stereo.
	Improper Connection to stereo system or PA.	Follow direction on page E9 for connecting to a home stereo system.

# TROUBLE SHOOTING GUIDE

ENGLISH

PROBLEM	POSSIBLE CAUSE	SOLUTION
No sound - If audio is going through TV or VCR.	Source Selection on TV or VCR is not correct.	Follow directions on page E7 for 'Video Connection'.
No song lyrics appear on screen.	Video cable is not connected properly to the TV.	Connect the video cable to the Singing Machine's VIDEO OUT and to the TV VIDEO IN.
	Source selector on TV is not set to VIDEO.	Using your TV Remote to select VIDEO input.
	TV does not have video line input.	Connect from VIDEO OUT of the system to the VIDEO IN of your VCR or Connect to an RF Modulator and then to the TV cable input. Refer to "Making the Connections" on page E7. Check the disc to be sure it is a CDG. (See page E17 for details.)
	A CDG is loaded but the CDG indicator is not lit.	Check disc to be sure it is clean. (See page E13 for cleaning instructions.)



# SPECIFICATIONS

<b>AUDIO SECTION:</b> OUTPUT POWER (MAXIMUM) OUTPUT IMPEDANCE	2 WATTS (RMS) 8 OHMS
<b>CD PLAYER SECTION:</b> FREQUENCY RESPONSE SIGNAL - TO - NOISE RATIO WOW AND FLUTTER D - A CONVERSION NUMBER OF PROGRAMS SAMPLING SYSTEM	100 Hz - 20 kHz 50 dB IMMEASURABLE 1-BIT DAC 20 STEPS RANDOM ACCESS PROGRAMMING 8 TIMES OVER SAMPLING
<b>MICROPHONE</b>	-74 dB 600 OHMS IMPEDANCE WITH Ø6.3mm DYNAMIC MICROPHONE
<b>POWER SECTION</b>	AC 110V-120V~60Hz
<b>DIMENSIONS (H x W x D)</b>	13.2 x 9.4 x 8.1 x Inches / 33.4 x 23.8 x 20.6 cm
<b>WEIGHT</b>	7.7 lbs / 3.5 kgs
<b>ACCESSORIES</b>	1. PRE-RECORDED KARAOKE CD+G DISC 2. AV CABLE 3. DYNAMIC MICROPHONE

Specifications are typical, individual units might vary. They are subject to continuous improvement without notice and without incurring any obligation.

# **THE SINGING MACHINE KARAOKE GLOSSARY OF TERMS**

In addition to all of the terminology associated with consumer electronics products, a few additional terms are used almost exclusively in karaoke. These terms are meant to familiarize you with the world of Karaoke. The features listed below **may not** necessarily pertain to the particular model Singing Machine that you have. The following are some brief explanations of karaoke terms:

## **Echo:**

Echo adds depth and resonance to a singer's voice without affecting the music. This echo is produced by creating minor controlled feedback in the singer's voice.

## **Multiplex:**

Our multiplex recordings contain 2 copies of the same song. One version is a stereo recording of the song without the lead singer. The second version is recorded with the music and background vocals on the left channel and the lead singer recorded on the right channel. This 'split track' recording allows you to control the volume of the lead singer by adjusting the balance control. You can sing a duet with the lead singer or use the lead singer as a guide as you learn the song, gradually fading them out with the balance control until you are able to sing the song on your own.

## **Auto Voice Control (A.V.C.):**

When the AVC function is activated, the vocals on a multiplex recording are eliminated as soon as the singer begins singing into the microphone. When the singer stops singing, the vocals on the multiplex recording are automatically re-activated. This useful function is used primarily during practice sessions while a singer is learning a song. Please note that the AVC function only works with multiplex recording and not with standard audio recordings.

## **Pitch Control:**

This function controls pitch of music by controlling the speed at which a cassette tape plays back. By increasing the speed of the tape, the music sounds higher (sharp). By slowing the tape speed, the music sounds lower (flat).

## **Key Controller:**

Key Controller changes the key of the CD/CDG music (+ or - steps) to adjust to the singer's voice.

## **CDG:**

This is an acronym for Compact Disc plus Graphics. You will also see variations CD+G, and CD+Graphics. This is a regular audio CD with information stored on a data track simultaneous to music. In laymen's terms, CDG has a video output for simple graphics (not full motion video). In the case of karaoke, the graphics function is used to store song lyrics, and display the lyrics in synch with music. In most cases, CDG software displays lyrics which change color as they are to be sung. A regular television is all that is required to display CDG lyrics.

**NOTE** - CDG is a particular type of compact disc encoding system that is different from VCD or DVD. Your Singing Machine can decode standard audio compact discs and CDG discs. It will not read VCD or DVD encoded discs.

Standard audio discs and cassette tapes will not display lyrics on your TV. Audio CDs do not contain the software necessary to display lyrics.



# ADVERTENCIAS

**ADVERTENCIA:** PARA REDUCIR EL RIESGO DE INCENDIOS O DE CHOQUES ELÉCTRICOS, NO EXPONGA ESTE EQUIPO A LA LLUVIA O HUMEDAD.



## CUIDADO

RIESGO DE CHOQUE ELÉCTRICO NO ABRA



**CUIDADO:** PARA EVITAR CHOQUES ELÉCTRICOS, NO REMUEVA LA TAPA O LA TRASERA. NINGUNA PIEZA QUE PUEDA SER ARREGLADA EN EL INTERIOR. ENTREGUE TODO EL TRABAJO DE REPARACIONES SOLAMENTE AL PERSONAL DE MANUTENCIÓN CALIFICADO.

La marca de la CUIDADO está localizada en el panel posterior.



Este símbolo tiene la intención de alertarlo para la presencia de tensiones activas peligrosas, en el interior de la caja del producto, con potencia suficiente, para ocasionar el riesgo de un choque eléctrico. No abra la caja del producto.



El símbolo tiene la intención de informarle que las instrucciones importantes de operación y mantenimiento son incluidas en la literatura que es suministrada, junto con este producto.

### ADVERTENCIA: HUMEDAD

El producto no debe ser expuesto a goteos o a derrames de líquido y ningún objeto que tenga líquidos (por ejemplo, vasos) debe ser colocado sobre el producto.

### ADVERTENCIA: VENTILACIÓN

La ventilación normal del producto no debe ser obstruida.

**CUMPLE CON LAS NORMAS DE RADIACIÓN DHHS, 21 CFR SUB. ESTE APARATO CUMPLE CON LA PARTE 15 DE LAS REGLAS FCC. LA OPERACIÓN SE SUJETA A LAS SIGUIENTES CONDICIONES:**

**(1) ESTE APARATO NO PUEDE CAUSAR INTERFERENCIAS DAÑINAS Y (2) ESTE APARATO DEBE ACEPTAR TODA INTERFERENCIA INCLUYENDO INTERFERENCIAS QUE PUEDEN CAUSAR UNA OPERACIÓN NO DESEADA.**

### CERTIFICACIÓN:

ESTE PRODUCTO CUMPLE CON LA NORMA 21 CFR, CAPÍTULO 1, SUB-CAPÍTULO J DE LAS REGULACIONES DHHS.

**CUMPLE CON LOS LIMITES DE APARATOS DIGITALES DE CLASE B, DE ACUERDO CON LA PARTE 15 DE LAS REGULACIONES FCC.**

**ADVERTENCIA PARA EL REPARADOR:** VER LA ADVERTENCIA EN EL LADO INTERNO DE LA TAPA TRASERA

El CD Player es producido y probado, en conformidad con los estándares de seguridad. El obedece las especificaciones FCC y está conforme a los estándares de seguridad del Departamento de Salud y Servicios Humanos de los E.E.U.U.

### ADVERTENCIAS:

- El CD Player emplea un haz de rayos láser. Solamente un técnico calificado debe remover la tapa o tentar reparar este dispositivo, debido a posible daño a sus ojos.
- El uso de controles, ajustes de procedimientos que no son los especificados aquí pueden causar una exposición peligrosa a la radiación.
- El aparato debe ser usado en área abierta.

### CUIDADO

Este CD player es clasificado como un PRODUCTO LÁSER CLASE 1. La etiqueta CLASS 1 LÁSER PRODUCT está localizada en el panel posterior.

CLASS 1 LASER PRODUCT  
PRODUCTO LÁSER CLASE 1  
PRODUIT LASER DE CLASSE 1  
LASER-PRODUKT DER KLASSE 1

### ¡CUIDADO!

Radiación invisible de rayos láser cuando abierto o cuando interruptores de seguridad fueren desactivados. Evite exponer a los rayos solares.

### IMPORTANTE

Una vez que el circuito eléctrico del CD puede causar interferencias en otros radios alrededor, desconecte este aparato cuando no es utilizado o desplácelo lejos del radio afectado.

**Este aparato de clase [B] cumple con la norma canadiense ICES-003**

# INSTRUCCIONES IMPORTANTES DE SEGURIDAD

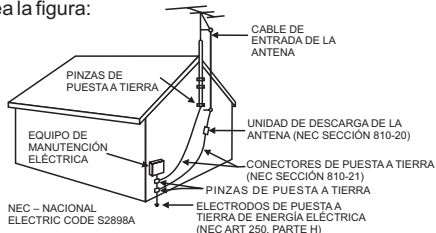
1. **Lea las Instrucciones** - Todas las instrucciones de seguridad y de operación deben ser leídas antes que el producto sea utilizado.
2. **Guarde las Instrucciones** - Las instrucciones de seguridad y de operación deben ser guardadas, para consulta futura.
3. **Advertencias** - Todas las advertencias para uso del producto y de las instrucciones de operación deben ser obedecidas.
4. **Siga las Instrucciones** - Se deben seguir todas las instrucciones de operación y de uso.
5. **Limpieza** - Desconecte este producto del tomacorriente antes de hacer la limpieza. No use detergentes líquidos o en aerosol. Use solamente un paño húmedo para limpieza de la parte externa. No intente limpiar el interior.
6. **Accesorios** - No intente usar accesorios no recomendados por el fabricante, pues ellos pueden causar daños.
7. **Agua y humedad** - No use este producto cerca del agua – por ejemplo, cerca de una bañera, balcón de cocina o estanque de lavandería, ni en local húmedo demás o cerca de una piscina.
8. **Accesorios** - No deje ese producto sobre un carrito, trípode, mesa, estante o armazones inestables. El producto puede caerse, hiriendo un niño o un adulto y quedar seriamente dañado. Use solamente con un carrito, armazón, trípode o mesa recomendado, por el fabricante o vendido con el producto. Cualquier soporte del producto debe seguir las instrucciones del fabricante y se debe usar un accesorio de montaje recomendado por el fabricante.
9. El conjunto de carrito, con el equipo debe ser movido con cuidado. Paradas rápidas, fuerza excesiva y superficies desiguales pueden hacer con que el conjunto de carrito y equipo vuelque.



10. **Ventilación** - Las ranuras y aperturas del gabinete son hechas para ventilación y para garantizar la operación confiable del producto y para protegerlo del súper-calentamiento y estas aperturas no deben ser bloqueadas o cubiertas. La apertura nunca debe ser obstruida con la colocación del producto en una cama, sillón, alfombra o superficie semejante. Este producto no debe ser puesto en un local cerrado, tal como un estante o rack a no ser que tenga ventilación adecuada.
11. **Fuentes de Alimentación** - Este producto solamente puede ser operado, a partir del tipo de fuente de energía, indicado en la etiqueta de identificación. Si UD no estuviera seguro del tipo de red eléctrica de su casa, pregunte al revendedor o concesionaria local de energía eléctrica. Para productos que operan con batería u otras fuentes, consulte las instrucciones de operación.
12. **Clavija de puesta a tierra** - El producto puede ser equipado con un conector polarizado de línea de corriente alternada (es decir; un conector con una clavija más ancha que la otra). Este conector se encaja en la toma, de una única forma. Esto es un recurso de seguridad. Si el conector no encaja correctamente, délo vuelta e intente de nuevo. Si el conector todavía así, no encaja, entre en contacto con su técnico para sustituir su toma antigua. No intente anular la seguridad de la enchufe de puesta a tierra.  
**Advertencias alternativas** - El producto puede ser equipado con un conector de tres clavijas con puesta a tierra (enchufe con una tercera clavija para tierra). Este conector se encaja en una toma, con puesta a tierra. Esto es un recurso de seguridad. Si el conector todavía así, no encaja, entre en contacto con su técnico para sustituir su toma antigua. No intente anular la seguridad de la enchufe de puesta a tierra.
13. **Protección del Cable de Fuerza** - Cables de fuerza deben ser posicionados de manera que ellos no sean pisados o prensados por objetos puestos sobre o contra ellos, tomando cuidado especial con los cables, en los conectores, extensiones y en el punto en que salen del producto.
14. **Conector de Interconexión con Protección** - El producto es equipado con un conector con protección de sobrecarga. Esto es un recurso de seguridad. Vea el Manual de Instrucciones para la sustitución o reposición del dispositivo de protección. Si el cambio del tomacorriente es necesario, vea si el técnico de mantenimiento usa el conector de sustitución especificado por el fabricante, con la misma protección, contra sobrecargas que la del conector original.

# INSTRUCCIONES IMPORTANTES DE SEGURIDAD

- 15. Puesta a tierra de la Antena Externa** - Si una antena externa es conectada al receptor, certifíquese de que el sistema de la antena está puesto a tierra de manera a dar alguna protección, contra picos de tensión y/o acumulo de cargas estáticas. El artículo 810 del National Electrical Code, ANSI/INFA 70, da las informaciones referentes a la puesta a tierra adecuada del mástil y de la estructura de soporte, puesta a tierra del cable de entrada, a una unidad de descarga de la antena, tamaño de los conductores de tierra, localización de la unidad de descarga de la antena, conexión de electrodos de puesta a tierra y las especificaciones del electrodo de puesta a tierra. Vea la figura:



- 16. Relampagueo** - Para protección adicional para este producto, durante una tormenta de rayos o cuando el equipo no esté en uso o sin uso, durante largos períodos de tiempo, retire el cable del enchufe y desconecte la antena o sistema de cable. Esto evita los daños del producto debido a rayos y picos de tensión de la red.
- 17. Líneas de Potencia** - Un sistema externo de antenas no debe ser instalado en la vecindad de líneas aéreas de energía eléctrica o de otros circuitos de iluminación o de energía eléctrica, o donde él pueda caer en esas líneas de transmisión o circuitos eléctricos. Al instalar un sistema de antena externa, debe tener un cuidado extremo para evitar apoyarse en líneas de energía o circuitos eléctricos, pues el contacto con ellos puede ser fatal.
- 18. Sobrecarga** - No sobrecargue la tomacorriente, cables de extensión o tomacorrientes auxiliares, pues eso puede causar un incendio o una descarga eléctrica.
- 19. Penetración de Objetos o Líquidos** - Jamás insiera cualquier tipo de producto por las aperturas, pues ellas pueden tocar en puntos de alta tensión o causar un corto-circuito en piezas que pueden causar un incendio o choque eléctrico. Jamás derrame ningún tipo de líquido en el producto.
- 20. Servicio** - No intente reparar este producto por sí mismo, pues abrir o remover las tapas pueden, exponerlo a tensiones peligrosas u otros riesgos. Entregue todo el trabajo de reparaciones solamente al personal de mantenimiento calificado.
- 21. Daños que Necesitan de Reparos** - Desconecte este producto del tomacorriente y envíelo al personal de mantenimiento calificado, en las siguientes condiciones:
- Cuando el cable de energía o conector están dañados,
  - Si líquidos hubieran sido derramados, los mismos caerán en el producto,
  - Si el producto fue expuesto a la lluvia o agua,
  - Si el producto no operar normalmente siguiendo las instrucciones de operación. Ajuste solamente los controles que son descritos por las instrucciones de operación, pues un ajuste inadecuado de otros controles puede causar daño y pueden, frecuentemente, necesitar de un trabajo intenso por un técnico calificado, para que el producto vuelva a su operación normal.
  - Si el producto hubiere sufrido una caída o ha sido dañado de alguna forma y
  - Cuando el producto muestra una clara alteración en el desempeño, eso indica la necesidad de una revisión técnica.
- 22. Reposición de Piezas** - Cuando piezas de reposición sean necesarias, vea si el técnico de mantenimiento usó las piezas especificadas por el fabricante o si ellas tienen las mismas características de la pieza original. Sustituciones de piezas no autorizadas pueden causar incendios, choques eléctricos u otros riesgos.
- 23. Prueba de Seguridad** - En el final de cualquier arreglo de este producto, solicite al técnico de mantenimiento, que efectúe las pruebas de seguridad, para determinar si el producto está en condiciones adecuadas de funcionamiento.
- 24. Montaje en la Pared o en el Techo** - El producto debe ser montado en la pared o en el techo, solamente cuando recomendado por el fabricante.
- 25. Solución (Salud)** - El producto debe ser puesto lejos de fuente de calor, tales como: radiadores, registro de calor, hornos u otros productos (incluyendo amplificadores que generen calor).

# INTRODUCCIÓN

---

Su Discos Compactos + Gráficos con Centro de Karaoke con Luces de Discoteca le proporcionará muchos años de diversión y entretenimiento. Él puede hacer con que UD sea el "astro" a la medida en que UD acompaña sus grabaciones favoritas y escucha su voz con la música por los altavoz del sistema.

Este sistema karaoke fue hecho en un proyecto compacto lleno de recursos fáciles de usar. Después de algunas instrucciones sencillas, UD puede tornarse un experto. Antes de usar su equipo unidad, lea este manual para familiarizarse con todos los recursos disponibles y las secciones del manual, que describen sus operaciones. A seguir vaya para la sección de la operación específica que UD quiere ejecutar.

Para una consulta fácil, aquí está una lista con las principales características del Centro Karaoke:

**Letra de la música en la pantalla de la TV** - muestra la letra de la música con el tiempo de la música al reproducir los discos CDG.

**Disco Light** - permite cantar con diferentes modos de luces de discoteca.

**Control Automático de Voz (A.V.C.)** - permite que UD sustituya la voz original del canto con su propia voz, cuando cualquier disco pregrabado del tipo múltiplex karaoke es reproducido. Para activar, gire el Volumen del MIC a un nivel confortable de escucha y el Control Auto Voice para el mejor equilibrio entre los niveles de playback y micrófono.

**Control Balance** - permite que UD equilibre entre la voz original pregrabada del cantor y la música, si UD usar un disco karaoke múltiplex.

**Control Echo** - permite que UD acrecenté un eco y de a su voz un efecto de sala de conciertos.

**Control del Volumen Principal** - permite que UD gire el control de volumen del micrófono en el sentido del reloj o en contra de las agujas del reloj hasta que el nivel de volumen deseado sea obtenido.

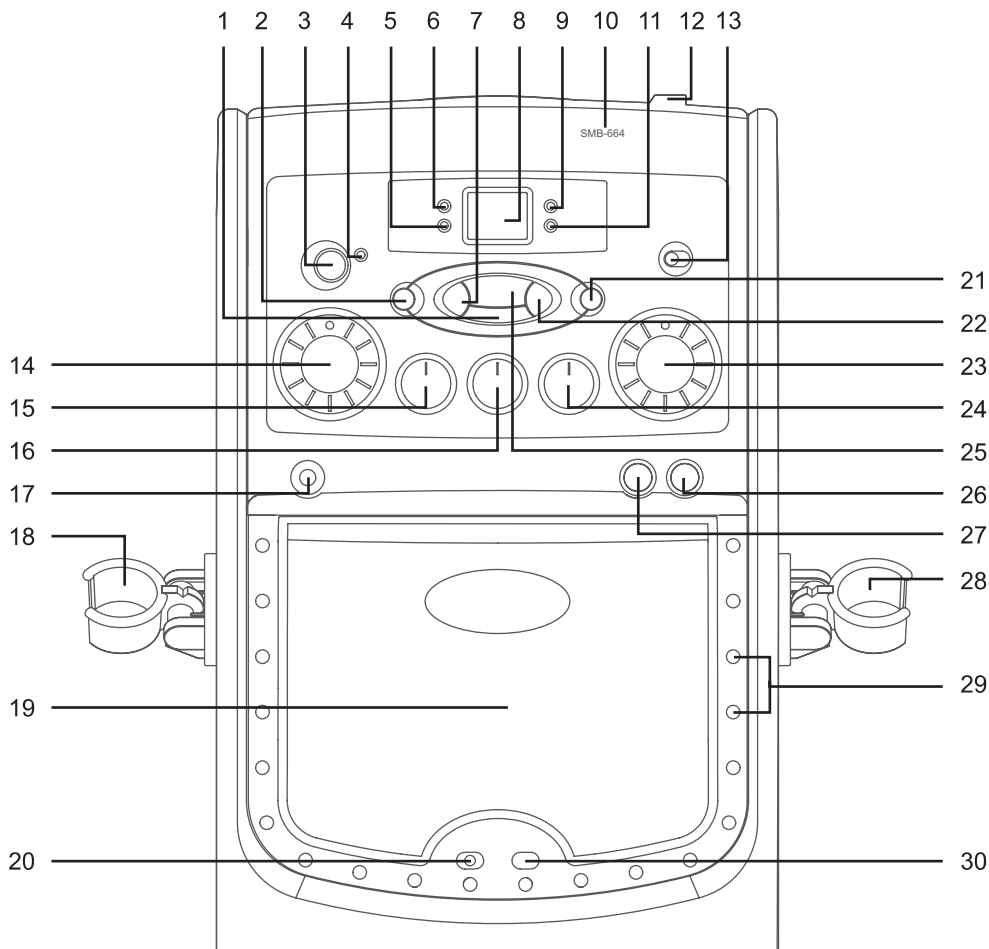
**Altavoz Estéreo Incorporado** - permite que UD comparta la música con su familia y sus amigos.

**Tomas de Salida Auxiliar** - permite que UD conecte otro componente de salida de audio tal como un ecualizador/amplificador o un amplificador de potencia.

**Toma conexión de Fono** - permite que UD conecte el fono de oído, al contrario de usar el altavoz interno embutido.

# LOCALIZACIÓN DE CONTROLES

ESPAÑOL

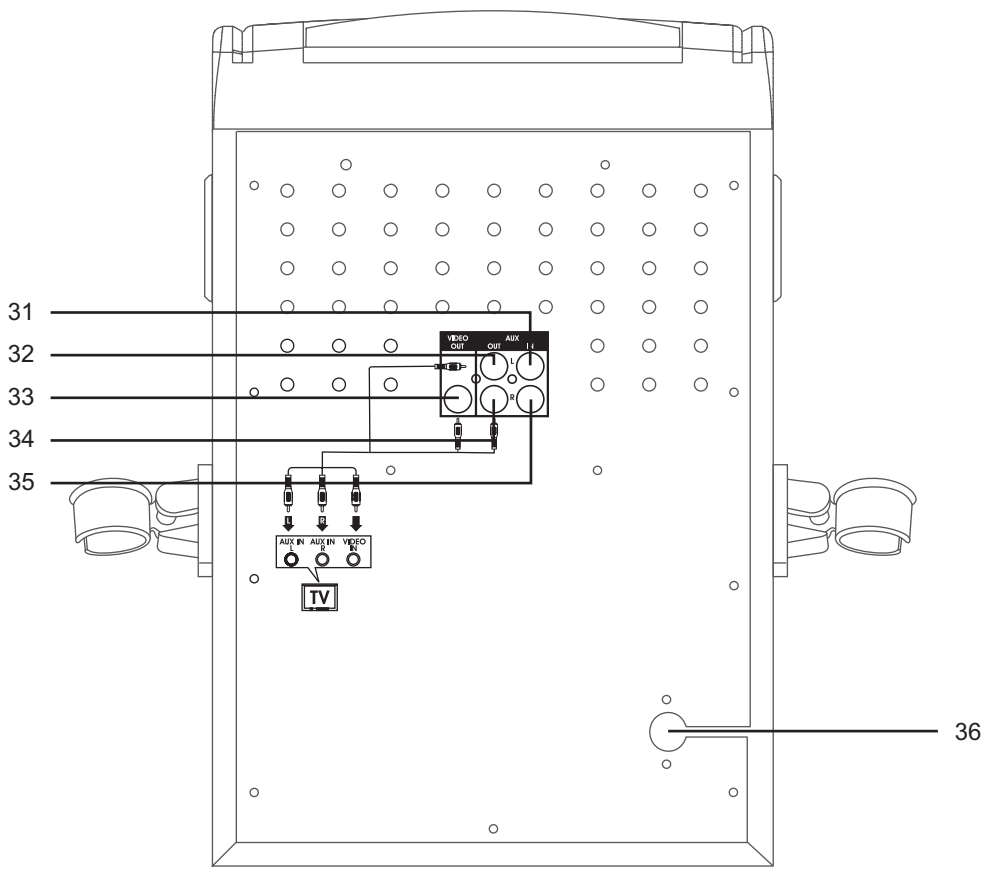


## VISTA TRASERA

- |                                |                           |                        |
|--------------------------------|---------------------------|------------------------|
| 1. Botón STOP                  | 13. FUNCIÓN SELECCIONAR   | 21. Botón REPEAT       |
| 2. Botón PROGRAM               | 14. Control MASTER        | 22. Botón SKIP▶▶▶      |
| 3. Botón Encender/Apagar       | VOLUME                    | 23. Control MIC VOLUME |
| 4. LED Encender/Apagar         | 15. Control Automático de | 24. Control ECHO       |
| 5. LED REPEAT                  | Voz                       | 25. Botón PLAY/PAUSE   |
| 6. LED PROGRAM                 | 16. Control BALANCE       | 26. Conector MIC 2     |
| 7. Botón SKIP◀◀◀               | 17. Toma para fono de     | 27. Conector MIC 1     |
| 8. LED                         | oído                      | 28. Soporte de los     |
| 9. LED PLAY PAUSE              | 18. Soporte de los        | Micrófono              |
| 10. Numero del Modelo          | Micrófono                 | 29. Luces de Discoteca |
| 11. LED de CDG                 | 19. Altavoz               | 30. Botón de ESTILO DE |
| 12. Realzo para abertura de la | 20. Botón LUZ             | LUZ                    |
| puerta del compartimiento      | (APAGADO/MÚSICA/E         |                        |
| del CD                         | STÁNDAR)                  |                        |



# LOCALIZACIÓN DE CONTROLES



## VISTA TRASERA

- 31. Toma de Entrada Auxiliar (D)
- 32. Toma de Salida Auxiliar (D)
- 33. Toma VIDEO OUT

- 34. Toma de Salida Auxiliar (E)
- 35. Toma de Entrada Auxiliar (D)
- 36. Cable de energía CA

# HACIENDO LAS CONEXIONES

## CONEXIÓN ELÉCTRICA

UD puede alimentar el sistema del tomacorriente normal de CA usando el cable de energía suministrado.

**CUIDADO:** El cable de energía de CA que se incluye tiene una clavija polarizada que entra en el enchufe de la pared sólo de una forma. Si la clavija no entra de manera adecuada, delo vuelta a e intente de nuevo. No la fuerce.

## CONECTANDO A SU FONOS

Existe una conexión para uso de un fono de oído, en vez del altavoz interno. (Fonos de oído, son vendidos separadamente.)

## CONÉCTALO A TU TELEVISIÓN

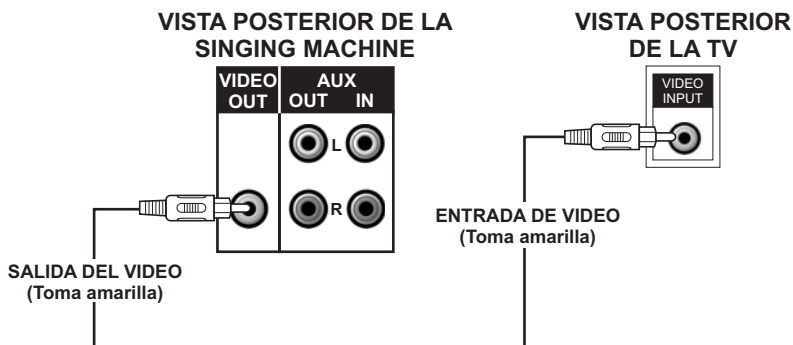
La Singing Machine suministra un cable de interconexión para darle la opción de conectar su unidad a un sistema de sonido/audio externo y dispositivo de video. El cable de interconexión tiene tres tomas RCA, en cada punta. Blanco y Rojo son las conexiones de audio del canal izquierdo y derecho y amarillo es para conectar el video.

Haga una conexión con un CDG instalado en su Singing Machine y que esté tocando. UD sabrá que hizo los ajustes adecuados en su TV o VCR, así que usted encontrar el logotipo de la Singing Machine o la letra de la música en la pantalla!

## CONEXIÓN DE VIDEO

Siga los pasos abajo, para exhibir las letras de las músicas CDG en el pantalla de TV:

- (1) Localice los cables de interconexión multicolores.
- (2) Conecte el cable de video (amarillo) en VIDEO OUT en la trasera de la Singing Machine (función de karaoke).
- (3) Conecte la otra punta del cable de video (amarillo) a la entrada de video de otra fuente tal como VCR o TV.



# HACIENDO LAS CONEXIONES

Sí su televisión o videocasetera no tiene la entrada de video necesaria, UD necesitará de un Modulador RF, que se conecta a la entrada de la antena o de línea de cable de su televisor y sirve como entrada de video.

Un modulador de RF puede ser adquirido en cualquier tienda de artículos electrónicos. Sí UD estuviera conectando el video de una Singing Machine en la toma de entrada de video de una televisor o videocasetera, UD debe especificar el origen que la televisor o videocasetera deben exhibir. El guía de usuario de su televisor o videocasetera pueden le decir como exhibir el señal de video de la toma de entrada de video.

Sí UD no tiene el manual de su televisor o videocasetera, sugerimos llamar el departamento de asistencia técnica del fabricante. Solamente el fabricante será capaz de decir, rápidamente, como configurar su televisor o videocasetera para visualizar la señal de video, entrando pela toma de entrada de video.

\* Anotar: Algunos aparatos de televisor con proyección no exhiben el fondo azul estándar usado, en la mayoría de los CDG propietarios. Sí el color de fondo fuera inconsistente o parpadear, conecte su Singing Machine a una televisor estándar.

## FORMAS COMUNES DE CONFIGURAR SU TELEVISOR O VIDEOCASETERA

Su Singing Machine fue proyectada para conectarse a su televisor de la misma manera que UD conecta una cámara de video, videocasetera o consola de video game. La Singing Machine está enviando, constantemente, señales de video y de audio para las tomas VIDEO OUT y AUX OUT siempre que UD toca un CDG, entonces, ponga un CDG en su Singing Machine, antes de comenzar a hacer estas conexiones. UD verá la letra de la Música en la pantalla de la televisor así que UD haya hecho, correctamente, la instalación.

Nosotros nos referimos a televisor o videocasetera porque fabricantes usan formas muy semejantes para conectar TVs y VCRs y UD puede conectar su Singing Machine a una televisor, un videocasetera o a un sistema de satélite. La configuración de su televisor o videocasetera es la parte más difícil al hacer la conexión para visualizar las letras de las músicas de su Singing Machine. E la mayoría de las casas, la televisor tiene un cable o una antena en uso. Cuando su Singing Machine sea conectada a televisor o videocasetera, UD debe enseñar su televisor o videocasetera para exhibir la entrada de Singing Machine en vez de la entrada normal del cable o antena.

Verifique en el manual de usuario de su televisor o videocasetera, la forma más fácil de configurar su sistema de entretenimiento en particular. Sí UD no tiene el manual de su televisor o videocasetera, sugerimos llamar el departamento de asistencia técnica del fabricante. Relacionamos abajo las formas más comunes de ajustar una televisor o videocasetera.

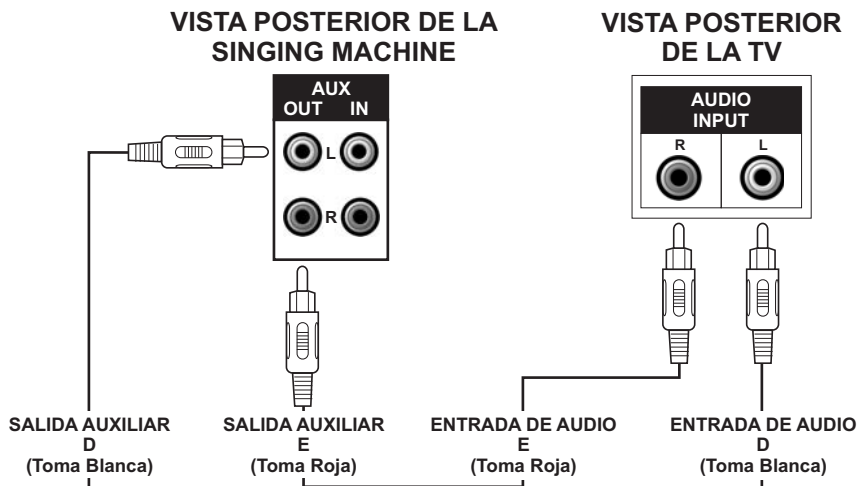
- (1) En el menú de configuración de la televisor o videocasetera puede haber una opción para "Selección de Entrada" donde UD puede escoger entre "Cable/ANT", "Video 1" o "Video 2" como fuente de entrada.
- (2) Intente buscar un canal de "Video" entre el canal más alto y él más bajo de su televisor o videocasetera (es decir, entre el canal 99 y el canal 2 puede haber un canal "Video", "Input" o "Game").
- (3) Busque un botón en el control remoto de la televisor o videocasetera que UD está conectando que dice "Video", "Video 1", "Game", "Aux", "Ext", "Line 1", "Line-In" o eventualmente el botón "VCR" va exhibir la fuente de entrada de video.

# HACIENDO LAS CONEXIONES

## CONEXIÓN DE AUDIO

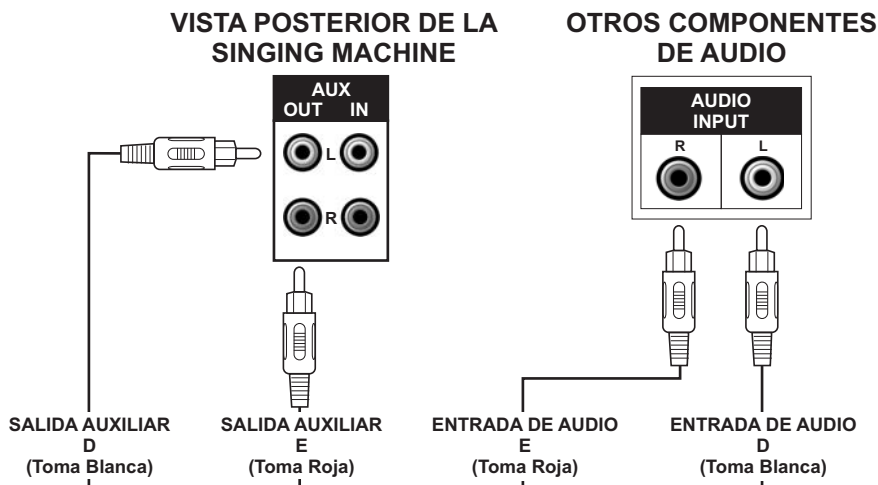
Conecte el unidad a su TV o sistema estereofónico usando las conexiones blanca y roja del cable de interconexión suministrado. Conecte la punta blanca del cable de interconexión en la toma blanca de salida del unidad. Conecte la punta roja del cable de interconexión en la toma roja de salida del unidad. Conecte ahora la otra punta del cable (conector blanco del canal izquierdo y conector rojo del canal derecho) en las enchufes AUDIO IN o AUX IN de su TV o sistema de son.

ESPAÑOL



## CONECTANDO UN COMPONENTE DE AUDIO EN LA SALIDA DE AUDIO

Para conectar un componente de audio (tal como un amplificador de potencia o sistema PA) para escuchar la música de la Singing Machina y las voces, a través del, conecte este componente de audio en las tomas AUX OUT.



# OPERACIÓN CD O CD+G

- \* **Advertencia - Golpeando o dejando caer el micrófono conectado, puede dañarlo, permanentemente. Resista a la necesidad de tirar el micrófono por el cable!**

## PREPARACIÓN

- Esta unidad fue proyectada para reproducir CDs que contengan el logotipo de identificación "CD+G". Si los CD no están de acuerdo con el estándar CD, ellos no reproducirán adecuadamente.
- Impresiones digitales y polvo deben ser, cuidadosamente, removidos con un paño suave. Pase el paño con un movimiento del centro del disco para el borde externo.
- Jamás use productos químicos tales como sprays de limpieza, sprays antiestáticos o fluidos, benceno o thinner para limpiar un CD. Estos productos químicos pueden dañar, permanentemente, la superficie de plástico del disco.
- Instale un disco en el compartimiento, con el lado impreso para arriba.
- Para remover un disco de su caja, presione el centro de la caja y levante el disco, tomándolo, cuidadosamente, por las bordes.
- Los discos deben ser colocados, de nuevo, en sus cajas después del uso, para protegerlos del polvo y arañazos.
- Para evitar que el disco quede chueco, no lo exponga a la luz directa del sol, ni a un alto índice de humedad o a altas temperaturas, por períodos prolongados.
- No pegue papel ni escriba cualquier cosa, en cualquier fase del disco. Las pinturas usadas en algunos lápices hidrográficos pueden dañar la superficie del disco.

## REPRODUCIENDO UN CD O CDG

- Ajuste los control MASTER VOLUME de su unidad o sistema de audio, a su gusto.
- Ajuste MIC/ECHO/BALANCE lo necesario para alcanzar la mezcla deseada de música y voz, en su equipo de música.
- No presione la gabinete del compartimiento del CD, cuando el mismo esté en reproducción.
- Jamás ponga cualquier cosa que no sea un CD en el compartimiento de CD. Objetos extraños pueden dañar la unidad.
- No ponga fuerza en exceso en el tapa del disco.
- Instale solamente un disco en la bandeja, de cada vez.

## ENCENDIENDO Y APAGANDO

- Para activar el Karaoke Center, presione el botón Encender/Apagar, el LED de Encender/Apagar enciende.
- Para desligar el sistema, presione el botón POWER de nuevo, el LED de Encender/Apagar apaga.

## FUNCIÓN SELECCIONAR

Ponga la llave FUNCTION SELECT en CDG.

## INSTALANDO UN DISCO

- Abra, con cuidado la puerta del CD del compartimiento CD/CDG. Instale un disco en el compartimiento, con el lado impreso para arriba y el lado brillante para bajo.
- Cierre con cuidado la tapa del compartimiento CD/DCG, después de algunos segundos el LED muestra el número total de trillas. (Si ningún disco estuviera colocado, el visor mostrará " - - ").

***(Consulte el Guía de Diagnóstico y Reparaciones en la página S14 si el disco estuviera cargado, mas el total de pistas no aparezca.)***

# OPERACIÓN CD O CD+G

---

## MODO PLAY/PAUSE

- Para empezar a tocar, presione el botón PLAY/PAUSE. La primera trilla [1] y el indicador del LED PLAY/PAUSE será vistos.
- Para interrumpir la reproducción, presione el botón PLAY/PAUSE de nuevo. El LED PLAY/PAUSE parpadea.
- Para continuar a reproducir, presione de nuevo el botón.

## MODO STOP

Si el botón STOP es presionado durante la reproducción, el disco interrumpe la reproducción. (El número total de pistas será mostrado en el visor LED.)

## SALTE REPRODUCCIÓN (PARA DISCOS CD Y CDG)

- Durante el modo STOP, UD puede saltar hasta el número de trilla deseado, pulsando los botón SKIP (◀◀-SKIP-▶▶).
- Para continuar a reproducir, presione, de nuevo, el botón PLAY/PAUSE.

## ¿CÓMO BUSCAR PISTAS? (SOLAMENTE PARA CD)

Al tocar cualquier CD de audio, presione y mantenga presionado el botón SKIP (◀◀-SKIP-▶▶) para hacer una búsqueda, en alta velocidad, para adelante e para tras. Reproducción normal continua cuando UD suelta el botón.

## REPITA

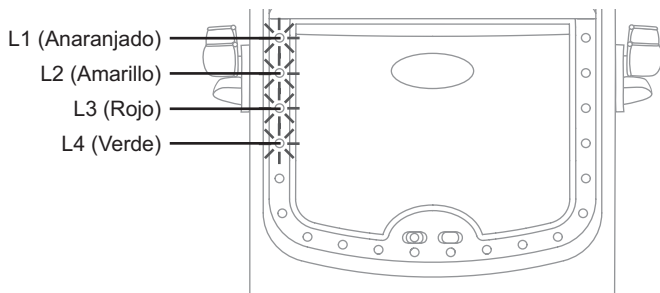
- Para repetir la pista actual, presione el botón REPEAT. El LED REPEAT parpadea y la pista será repetida.
- Para repetir todas las pistas, presione dos veces, el botón REPEAT. El LED de REPEAT enciende. Presione el botón PLAY/PAUSE para iniciar la reproducción aleatoria en el CD.
- Para borrar la función de repetir, presione, nuevamente, el botón REPEAT. El LED de REPEAT apaga.

## PROGRAMA

- Use el botón PROGRAM para reproducir las músicas en el orden preseleccionado.  
Paso 1: La programación debe ser hecha en el modo de parada. Solamente presione la tecla de programa hasta que el LED de programa parpadee, la pista será mostrada [0].  
Paso 2: Presione el botón SKIP (◀◀-SKIP-▶▶) para seleccionar una pista deseada.  
Paso 3: Presione el botón PROGRAM, para confirmar la entrada. UD puede repetir los pasos hasta un máximo de **20** pistas.  
Paso 4: Presione PLAY cuando UD tenga completado la programación y esté listo para empezar a cantar.
- Para borrar todas las memorias de programación, presione el botón STOP.

# OPERACIÓN DE LAS LUCES DE DISCOTECA

- Mueva la llave LUZ para la posición MÚSICA, las luces centellearán de acuerdo con el nivel del sonido de salida.
- Para desactivar la función Luz de Discoteca, mueva la llave LUZ para la posición OFF (Apagada).
- Mueva la llave LUZ para la posición ESTÁNDAR y, en seguida, presione el botón MODO ESTÁNDAR DE LUCES repetidamente para apreciar los ocho tipos de efectos de luces centelleantes, de acuerdo con la tabla a seguir.



## Modo 1

Modo de Combinación - Los seis modos estándares, de 2 a 7, serán accionados de forma alternada.

## Modo 2

Brillo en movimiento ondulatorio para adelante y para atrás; brillos rápidos y lentos, lentos y rápidos ...de forma alternada. En cada ciclo, la dirección de los brillos cambiará para adelante y para atrás en intervalos específicos.

## Modo 3

Brillos en círculo: la luz se enciende y se apaga en el siguiente orden L1L2->L2L3->L3L4->L4L1->L1L2 ...hay cuatro estados en intervalos específicos.

## Modo 4

La intensidad de la luz aumenta y disminuye en la secuencia L1->L2->L3->L4->L1... cuando la intensidad de una luz disminuye, la intensidad de la luz de atrás aumenta. La bombilla luz de atrás brilla con toda la intensidad cuando la luz de la parte de la frente queda totalmente apagada. Tres velocidades de oscurecimiento suceden em intervalos.

## Modo 5

Brillos en círculos, para adelante y para atrás, en mayor y menor intensidad. Brillos en círculo para adelante (L1L2->L2L3->L3L4->L4L1->L1L2...) y brillos resplandecientes para atrás. (L4L3->L3L2->L2L1->L1L4->L4L3...) brillos resplandecientes en círculos, para adelante, de forma alternada.

## Modo 6

Cuatro luces se encienden y se apagan simultáneamente. Las luces se encienden y se apagan en tres velocidades diferentes, de forma alternada en intervalos específicos.

## Modo 7

Brillos resplandecientes simultáneos y en círculos. (L1L2->L2L3->L3L4->L4L1->L1L2...).

## Modo 8

Todas las luces permanecen encendidas.

# CUIDADOS Y MANTENIMIENTO

## INTERRUPTOR DE FUERZA

Después de utilizar la unidad, desconecte la energía eléctrica, presionando el botón Encender/Apagar.

## LIMPIANDO LA UNIDAD

Para limpiar la parte externa de la unidad, refríeque con un paño limpio y suave, humedecido con agua potable pura.

## LIMPIANDO LAS LENTES DE LÁSER DEL CD

Para los Mejores Resultados: Use un disco de limpieza de lentes del CD, de acuerdo con las instrucciones del fabricante del disco de limpieza.

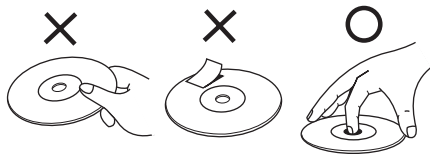
Sí un disco de limpieza del cabezote del láser no estuviera disponible, use un paño de algodón seco, limpio, suave para pasar en la lente pequeña del láser, localizado en la toca CD.



**Para evitar incendios o choques eléctricos, desconecte su sistema estéreo de la tomacorriente CA al hacer la limpieza.**

## CD MANIPULANDO EL DISCO

A pesar de las trillas musicales del disco estar cubiertas con una capa de protección, es aconsejable manosearlo con cuidado. Tome siempre los discos por el borde y guárdelos de vuelta en sus cajas, inmediatamente después del uso.



## LIMPIEZA DEL DISCO

Limpieza no será siempre necesaria. No obstante, si hay impresiones digitales, polvo o suciedad, UD puede limpiarlas, con un paño suave, que no suelte pelusas. Pase el paño con un movimiento del centro del disco para el borde externo. UD puede humedecer primero el paño con agua natural de la llave, sí necesario.



**ATENCIÓN:** No use detergente o agentes de limpieza abrasivos, que puedan dañar los discos.

## LECTOR DE CD

El mecanismo de reproducción es equipado con un eje auto lubricante y no debe ser lubricado ni engrasado.



# GUÍA DE DIAGNÓSTICO Y ARREGLO DE FALLAS

Sí UD ha seguido las instrucciones y está con dificultades en operar la unidad, localice el PROBLEMA en la columna izquierda abajo. Verifique la columna CAUSA PROBABLE para localizar y reparar el problema.

PROBLEMA	CAUSA PROBABLE	SOLUCIÓN
Sin tensión cuando activado.	Conector CA no está conectado en la toma.	Instale el conector de alimentación en la conexión CA.
Sin tensión cuando conectado.	Toma CA puede estar sin energía.	Verifique la conexión con una lámpara u otro aparato eléctrico.
Sin sonido.	Control de Volumen ajustado al mínimo.	Aumente el volumen.
	Control de Volumen de la TV /sistema PA ajustado al mínimo.	Aumente el volumen de la TV/sistema de PA.
	Aparato de TV/sistema de PA está desconectado.	Accione la energía eléctrica para la TV/sistema de PA.
	Toma AUX y OUT no conectadas.	Siga las instrucciones en la página S9 para "Conexión de Audio".
	La función incorrecta fue seleccionada.	Seleccione la función correcta.
CD PLAYER no puede funcionar normalmente o "- -", "E" o "00" son mostrados.	Disco colocado con su fase al contrario.	Instale el disco correctamente.
	Disco está sucio.	Pase un paño suave y limpio.
	Disco está arañado.	Use un disco nuevo.
	Disco está chueco.	Use un disco nuevo.
	Un disco sin estandarización fue colocado.	Use solamente los discos que tengan el logotipo estándar como descrito en la página S10.
	Acumulo de humedad en el interior del deck de CD.	Espere aproximadamente 20 a 30 minutos para dejar secar.
	Singing Machine necesita ser reiniciada (reset).	Desconecte la máquina de la fuente de energía por 30 segundos.

# GUÍA DE DIAGNÓSTICO Y ARREGLO DE FALLAS

ESPAÑOL

PROBLEMA	CAUSA PROBABLE	SOLUCIÓN
Sin sonido - sí el audio estuviera pasando por el sistema de sonido.	La selección de la fuente no está bien configurada en el estereofónico.	Seleccione AUX IN como entrada para su equipo doméstico de música.
	Conexión inadecuada al sistema estéreo o amplificador de potencia.	Siga las instrucciones en la página S9 para conectando a un sistema estereofónico doméstico.
Sin sonido - sí el audio estuviera pasando por TV o VCR.	Selección de Entrada en la TV o VCR no está correcta.	Siga las instrucciones en la página S7 para "Conexión de Video".
La letra de la música no aparece en la pantalla.	Cable de video no está conectado correctamente en la TV.	Conecte el cable de video (amarillo) en VIDEO IN/OUT en la trasera de la Singing Machine (función de karaoke).
	Selector de Entrada en la TV no está en video.	Use el control remoto de la TV para seleccionar la entrada de video.
	TV no tiene una entrada de video.	Conecte el VIDEO OUT del sistema al VIDEO IN de su VCR, o conecte un Modulador de RF y de este para la entrada del cable de la TV. Consulte "Haciendo las Conexiones" en la página S7. Verifique si el disco esta CDG. (Vea la detalles de limpieza, en la página S17.)
	Un CDG es colocado, pero el indicador de CDG no se enciende.	Verifique si el disco está limpio. (Vea la instrucciones de limpieza, en la página S13.)

## DETALLES TÉCNICOS

<b>SECCIÓN DE AUDIO:</b> POTENCIA DE SALIDA (MÁXIMA) IMPEDANCIA DE SALIDA	2 WATTS (RMS) 8 OHMS
<b>SECCIÓN DEL CD PLAYER:</b> FRECUENCIA DE RESPUESTA RELACIÓN SEÑAL/RUIDO RUIDO Y SISEO CONVERSIÓN D - A NÚMERO DE LOS PROGRAMAS SISTEMA DE MUESTRA	100 Hz - 20 kHz 50 dB INMENSURABLE CONVERTOR D/A DE 1 BIT PROGRAMACIÓN DE ACCESO ALEATORIO DE 20 PASOS ANTIALIASING (REDUCCION DE DISTORSION) 8 VECES
<b>MICRÓFONO</b>	-74 dB 600 OHMS DE IMPEDANCIA CON MICRÓFONO DINÁMICO Ø 6.3mm
<b>SECCIÓN DE ALIMENTACIÓN</b>	CA 110V-120V~60Hz
<b>DIMENSIONES</b> (ALTURA X ANCHO X PROFUNDIDAD)	13.2 x 9.4 x 8.1 Pulgadas / 33.4 x 23.8 x 20.6 Centímetros
<b>PESO</b>	7.7 lbs / 3.5 kgs
<b>ACCESORIOS</b>	1. CDG DE KARAOKE PREGRABADO 2. CABLE AV 3. MICRÓFONO DINÁMICO

Especificaciones son típicas, unidades individuales pueden tener variaciones. Ellos (ellas) están sujetas a mejoría constante sin previo aviso y sin incurrir en ninguna obligación.

# **GLOSARIO DE TÉRMINOS DE KARAOKE DE LA SINGING MACHINE**

Además de toda la terminología asociada a los productos electrónicos de consumo, algunos ítems adicionales son usados casi exclusivamente en karaoke. Estos términos tienen el objetivo de familiarizarle con el mundo del karaoke. Los recursos enumerados abajo pueden no pertenecer, necesariamente, al modelo de Singing Machine que UD tiene. Abajo algunas explicaciones resumidas de los términos de Karaoke:

## **Control ECHO:**

El eco da profundidad y resonancia a la voz del cantante, sin afectar la música. El eco es producido por una realimentación controlada de la voz del cantor.

## **Grabación Múltiplex:**

Nuestras grabaciones múltiplex tienen 2 copias de la misma canción. Una versión es una grabación estereofónica de la canción sin la voz del cantor. La segunda versión es grabada con la música y voces de fondo, en el canal izquierdo y el cantor principal, en el canal derecho. Esta grabación "split track" (trilla compartida) permite que UD tenga un control del volumen de la voz del cantor principal ajustando el control de BALANCE. UD puede hacer un dueto con el cantor principal o usar el vocalista como un guía, para aprender la canción, reduciendo, gradualmente, el control de BALANCE, hasta que UD sea capaz de cantar la canción por UD mismo.

## **Control Automático de Voz (A.V.C.):**

Cuando la función AVC es activada, las voces, en una grabación múltiplex, son eliminadas así que el cantor empiece a cantar con el micrófono. Cuando el cantor para de cantar, las voces, en la grabación múltiplex son inmediatamente reactivadas. Esta función útil es usada, principalmente, durante las secciones de ensayo, cuando el cantor está aprendiendo la canción. Por favor observe que la función de AVC sólo funciona con grabaciones múltiplex y no con grabaciones normales de audio.

## **Control PITCH:**

La función controla el tono de la música, controlando la velocidad, con la cual la cinta casete es reproducida. Aumentando la velocidad de la cinta, la música suena más aguda o más grave.

## **Controlador Principal:**

Este control cambia el tono de la música CD/CDG (tonos + o -) para ajustar la voz del cantante.

## **CDG:**

Esto es un acrónimo para Compact Disc más Graphics. UD encontrará también las variaciones CD+G y CD + imágenes (CD + Graphics). Él es un CD de audio normal, con informaciones almacenadas, en una trilla de datos, simultánea a la música. En lenguaje simple, CDG, tiene una salida de video para imágenes simples (no un video con movimientos completos). En el caso de karaoke, la función de imagen es usada para almacenar letras de música y visualizar la letra en sincronía con la música. En la mayoría de los casos el software CDG exhibe la letra de la música que cambia de color a la medida que ella debe ser cantada. Un aparato normal de televisión es todo lo que necesita para ver las letras del CDG.

**ATENCIÓN** - CDG es un tipo especial de sistema de codificación del CD que es diferente de un VCD o DVD. Su Singing Machine puede decodificar CDs normales de audio y discos CDG. El no reproduce VCD o DVD.

Discos de audio estándar y cintas cassetes no exhiben las letras de música en su TV. Los CD de audio, no tienen el software necesario para visualizar las letras de las músicas.



# AVERTISSEMENTS

**AVERTISSEMENT:** POUR RÉDUIRE LE RISQUE D'INCENDIE OU DE CHOC NE PAS EXPOSER CE PRODUIT À LA PLUIE OU HUMIDITÉ.



## AVERTISSEMENT

RISQUE DE CHOC ÉLECTRIQUE NE PAS OUVRIR



**AVERTISSEMENT:** POUR ÉVITER DES RISQUES DE CHOC ÉLECTRIQUE, NE RETIREZ PAS LE COUVERCLE NI LE PANNEAU ARRIÈRE. NE CONTIENT PAS DE PIÈCES RÉPARABLES PAR L'UTILISATEUR. SOUMETTRE TOUTES LES RÉPARATIONS À UN PERSONNEL QUALIFIÉ.

La marque AVERTISSEMENT est situé sur le panneau arrière.



Ce symbole vous alerte de la présence de voltage dangereux non isolé à l'intérieur des produits et qui aurait une force suffisante pour provoquer des risques de choc électrique. Ne pas ouvrir le boîtier de l'appareil.



Ce symbole vous informe que d'importantes instructions de fonctionnement et d'entretien sont comprises dans la littérature qui accompagne le produit.

## AVERTISSEMENT HUMIDITÉ

Ne pas exposer le produit à des gouttes ni à des éclaboussures et il ne faut placer aucun objet contenant des liquides (vases par exemple) à proximité du produit.

## AVERTISSEMENT POUR LA VENTILATION

La ventilation normale du produit ne doit pas être obstruée pour l'usage prévu.

**CONFORME AUX NORMES DE RADIATION DHHS, 21 CFR, S-CHAPITRE J. CET APPAREIL EST CONFORME A LA SECTION 15 DES REGLES FCC. L'OPERATION EST SUJET AUX DEUX CONDITIONS SUIVANTES : (1) CET APPAREIL NE DOIT PAS CAUSER D'INTERFERENCE NOCIVE, ET (2) CET APPAREIL DOIT ACCEPTER TOUTE INTERFERENCE REÇUE, Y COMPRIS CELLES QUI POURRAIENT CAUSER UNE OPERATION NON SOUHAITEE.**

## CERTIFICATION:

CE PRODUIT EST CONFORME NORMES DHHS, 21 CFR, CHAPITRE 1, SOUS CHAPITRE J DES REGLEMENTS DHHSREGULATIONS.

**CONFORME AUX LIMITES DES APPAREILS NUMERIQUES DE CLASSE B, SELON LA SECTION 15 DES REGLES FCC**

## AVIS AU RÉPARATEUR:

CONSULTER AVERTISSEMENT À L'INTÉRIEUR DU PANNEAU APPRIÈRE.

Le lecteur de CD est fabriqué et testé pour répondre à des normes spécifiques de sécurité. Conforme aux exigences FCC et obéit aux normes de sécurité du Département Américain de Santé et Services Humains.

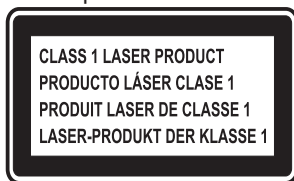
## AVERTISSEMENTS:

- Le lecteur de CD utilise un rayon laser. Le couvercle ne pourra être retiré que par une personne qualifiée et les tentatives de réparations de cet appareil aussi, à cause de possibles blessures aux yeux.
- L'utilisation de contrôles, réglages, ou procédures autres que ceux/celles spécifié(e)s ici pourrait causer une exposition dangereuse à des radiations.
- Utilisez l'appareil dans un endroit ouvert.

## AVERTISSEMENT

Le lecteur de disque compact est classé **PRODUIT LASER CLASSE 1**.

L'étiquette **PRODUIT LASER DE CLASSE 1** est situé sur le panneau arrière.



## AVERTISSEMENT!

Radiation laser invisible quand ouvert et verrous désengagés. Eviter l'exposition aux rayons solaires.

## IMPORTANT

Puisque les circuits de ce lecteur CD peuvent créer des parasites aux autres syntoniseurs radio à proximité, mettez cet appareil hors tension lorsque vous ne l'utilisez pas ou éloignez-le du syntoniseur qui subit les interférences.

**Cet appareil numérique de la classe B est conforme à la norme NMB-003 du Canada. with Canadian ICES-003.**

# IMPORTANTES INSTRUCTIONS DE SECURITE

1. **Lisez les Instructions** - Lisez toutes les instructions de sécurité et de fonctionnement avant d'utiliser ce produit.
2. **Conservez les Instructions** - Conservez les instructions de sécurité et fonctionnement pour future référence.
3. **Mises en Garde** - Respectez tous les avertissements sur le produit et le mode d'emploi du produit.
4. **Se Conformer Aux Instructions** - Veuillez vous conformer à toutes les instructions concernant le fonctionnement de l'appareil.
5. **Nettoyage** - Débranchez l'appareil de la prise murale "avant de nettoyer". Ne pas utiliser de produits de nettoyage liquide ou en aérosol. Utilisez un chiffon humide pour nettoyer l'extérieur seulement. N'essayez pas de nettoyer à l'intérieur.
6. **Accessoires** - Ne pas utiliser d'accessoires non recommandés par le fabricant du produit car ils pourraient être dangereux.
7. **Eau et Humidité** - Ne pas utiliser ce produit près de l'eau - par exemple près d'une baignoire, d'une baignoire, d'une baignoire, d'un évier ou d'une lessiveuse; ni dans une cave humide ni près d'une piscine.
8. **Accessoires** - Ne pas placer ce produit sur un chariot, stand, trépied, support ou table instables. Le produit peut tomber, causant de sérieuses blessures à un enfant ou adulte, et provoquant de sérieux dégâts au produit. Utilisez seulement un chariot, trépied, support ou table recommandés par le fabricant ou vendus avec le produit. Toute installation sur le produit doit être faite en suivant les instructions du fabricant et en utilisant les accessoires de montage recommandés par le fabricant.
9. L'appareil et son chariot doivent être déplacés avec soin. Des arrêts rapides, de la force excessive et des surfaces irrégulières peuvent faire tomber l'appareil et le chariot.



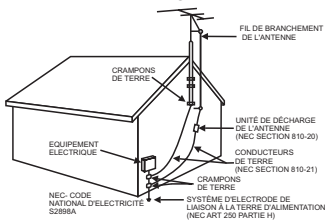
10. **Ventilation** - Les fentes et ouvertures du boîtier servent à la ventilation et à assurer un fonctionnement sûr du produit et à le protéger de surchauffement; ces ouvertures ne doivent pas être bloquées ni couvertes. Les ouvertures ne doivent jamais être bloquées en plaçant le produit sur un lit, canapé, tapis ou autre surface semblable. Ce produit ne doit pas être placé dans une installation encastrée telle qu'une étagère à livres ou une armoire à moins qu'il n'y ait une ventilation adéquate.
11. **Sources d'Alimentation** - Ce produit doit être mis en marche seulement à partir d'une source d'alimentation indiquée sur l'étiquette. Si vous n'êtes pas sûr du type d'alimentation chez vous, consultez le revendeur du produit ou la compagnie d'électricité locale. Pour les produits devant fonctionner sur piles ou d'autres alimentations, voir les instructions de fonctionnement.
12. **Liaison à la terre ou Polarisation** - Le produit peut être équipé d'une prise de ligne de courant alternatif polarisée/du type à trois fils avec terre (c'est à dire une prise qui possède une lame plus large que l'autre/une prise avec un troisième "goujon de terre"). Cette prise ne rentrera dans la prise d'alimentation que d'une façon. C'est un dispositif de sécurité. Si la prise ne rentre pas débranchez et essayez à nouveau. Si la prise ne convient toujours pas contactez votre technicien pour remplacer la prise désuète. Ne pas annuler la sécurité de la prise de polarisée.

**Avertissements Alternés** - Le produit peut être équipé d'une prise du type à trois fils avec mise à la terre (une prise avec un troisième "goujon de terre"). Cette prise ne rentrera que dans une prise d'alimentation possédant une 'liaison à la terre'. C'est un dispositif de sécurité. Si la prise ne convient toujours pas contactez votre technicien pour remplacer la prise désuète. Ne pas annuler la sécurité de la mise à la terre.

13. **Protection du fil d'Alimentation** - Les fils d'alimentation doivent être placés de manière à ce que l'on ne marche pas dessus ou qu'ils soient pincés par des objets placés sur ou contre eux, en faisant particulièrement attention aux fils branchés aux prises, boîtiers et au point de sortie de l'appareil.

# IMPORTANTES INSTRUCTIONS DE SECURITE

- 14. Prise Accessoire de Protection** - Le produit est équipé d'une prise accessoire avec protection de surcharge. C'est un dispositif de sécurité. Voir le Manuel d'Instructions pour le remplacement ou la réinstallation du dispositif de protection. Si le remplacement de la prise s'avère nécessaire, vérifiez que le technicien utilise une prise spécifiée par le fabricant et qui offre la même protection de surcharge que la prise originale.
- 15. Liaison à la terre de l'Antenne Externe** - Si une antenne externe est connectée au récepteur, vérifiez que le système d'antenne est relié à la terre de façon à offrir une protection contre les variations de voltage et décharges statiques. L'article 810 du Code National Electrique, ANSI/NFPA 70, fournit les informations concernant la mise à la terre correcte du mât et de la structure de soutien, mise à la terre du fil à l'unité de décharge de l'antenne, localisation de l'unité de décharge de l'antenne, connexion aux électrodes de terre, et exigences pour les électrodes de mise à la terre. Voir figure:



- 16. Foudre** - Pour une protection supplémentaire de ce produit, pendant un orage avec des éclairs, ou quand il n'est pas utilisé pendant de longues périodes, débranchez-le de la prise murale et déconnectez l'antenne ou le système de câble. Ceci évitera les dommages aux produits dus à la foudre et aux surcharges électriques.
- 17. Lignes Électriques** - Ne pas installer de système d'antenne externe au voisinage de fils électriques aériens ou de lampe électrique ou circuits d'alimentation ou bien dans un endroit où elle pourrait tomber sur de tels fils ou circuits. Quand vous installez une antenne externe, il faut prendre un soin extrême à ne pas toucher les lignes de courant ou circuits, car le contact pourrait être fatal.
- 18. Surcharge** - Ne pas surcharger toutes les prises, rallonges, ni les boîtiers, car cela créerait un risque d'incendie ou de choc électrique.
- 19. Entrée d'objet et de liquide** - Ne jamais mettre d'objets quels qu'ils soient dans les ouvertures car ils pourraient toucher des points de voltage dangereux et provoquer des courts-circuits de parties qui pourraient résulter en un incendie ou un choc électrique. Ne jamais renverser de liquide quel qu'il soit sur l'appareil.
- 20. Réparations** - N'essayez pas de réparer ce produit par vous-même car en ouvrant ou retirant les couvercles vous vous exposeriez à un voltage dangereux ou à d'autres risques. Soumettez toutes les réparations à un personnel qualifié.
- 21. Dégât Exigeant Réparation** - Débranchez l'appareil de la prise murale et faites faire les réparations par du personnel qualifié dans les conditions suivantes:
- Quand le fil d'alimentation ou la prise sont endommagés,
  - Si un liquide a été renversé, ou si des objets sont tombés dans l'appareil,
  - Si l'appareil a été exposé à la pluie ou à l'eau,
  - Si l'appareil ne fonctionne pas normalement en suivant les instructions de fonctionnement. Ne réglez que les contrôles qui sont indiqués dans le mode d'emploi, car un mauvais réglage pourrait causer des dégâts et demandera beaucoup de travail de la part d'un technicien qualifié pour le remettre en état.
  - Si l'appareil est tombé ou endommagé d'une façon ou d'une autre, et
  - Quand le produit présente un changement distinct d'exécution, cela indique qu'il y a besoin de réparation.
- 22. Remplacement de Pièces** - Quand il faut changer des pièces, vérifiez que le technicien de service a utilisé les pièces de rechange spécifiées par le fabricant ou qui aient les mêmes caractéristiques que la pièce originale. Des substitutions de pièces non autorisées pourront causer un incendie, choc électrique ou autres dangers.
- 23. Vérification de Sécurité** - A la fin de tout service ou réparation de cet appareil, demander au technicien de faire les vérifications de sécurité pour déterminer si l'appareil est en condition de fonctionnement correct.
- 24. Montage au mur ou au plafond** - Le produit devra être monté au mur ou au plafond seulement de la façon indiquée par le fabricant.
- 25. Chaleur** - Le produit doit être situé loin de sources de chaleur telles que radiateurs, compteurs, cuisinières ou autres produits (y compris amplificateurs) qui produisent de la chaleur.



# INTRODUCTION

---

Votre appareil Disques compacts et Graphiques avec Centre de Lumière Disco KaraoKé encastré, vous divertira pendant des années. Vous serez une "vedette", vous pourrez chanter au son de la musique de vos chansons préférées et vous pourrez entendre votre voix avec musique par les enceintes du système.

Le Singing Machine est facile à utiliser, il comprend plusieurs caractéristiques et il est de conception compacte. Après avoir lu les simples instructions, vous deviendrez des spécialistes. Avant d'utiliser votre appareil, veuillez jeter un coup d'œil à ce manuel pour vous familiariser avec toutes les caractéristiques offertes et aux sections du manuel qui décrivent leur fonctionnement. Ensuite, passez à la section de la fonction précise que vous désirez utiliser.

Pour faciliter la consultation, nous avons énuméré ci-dessous quelques unes des caractéristiques principales de cet appareil KaraoKé.

**Paroles sur l'écran du téléviseur** - affiche les paroles avec le tempo de la musique lorsque vous faites passer les disques CD+G.

**Lumière Disco** - vous permet d'accompagner les chansons avec différents modes d'illumination disco.

**Contrôle automatique de la voix (A.V.C.)** - vous permet de substituer la voix enregistrée du chanteur à la vôtre, lorsque vous passer des disques ou des cassettes multiplex pour karaoké préenregistrés. Pour activer cette fonction il ne faut que régler le MIC Volume (volume du microphone) à un niveau d'écoute confortable et le Auto Voice Control jusqu'à obtenir un bon équilibre entre la musique enregistrée et le volume du microphone.

**Balance** - vous permet de contrôler le mixage entre la voix du chanteur principal et l'accompagnement préenregistré lorsque vous utilisez un disque pour karaoké multiplex.

**Réglage de l'écho** - vous permet d'ajouter un écho pour enrichir votre voix avec effet de concert.

**Réglage principal du volume** - vous permet de tourner le bouton du volume pour régler le niveau d'écoute.

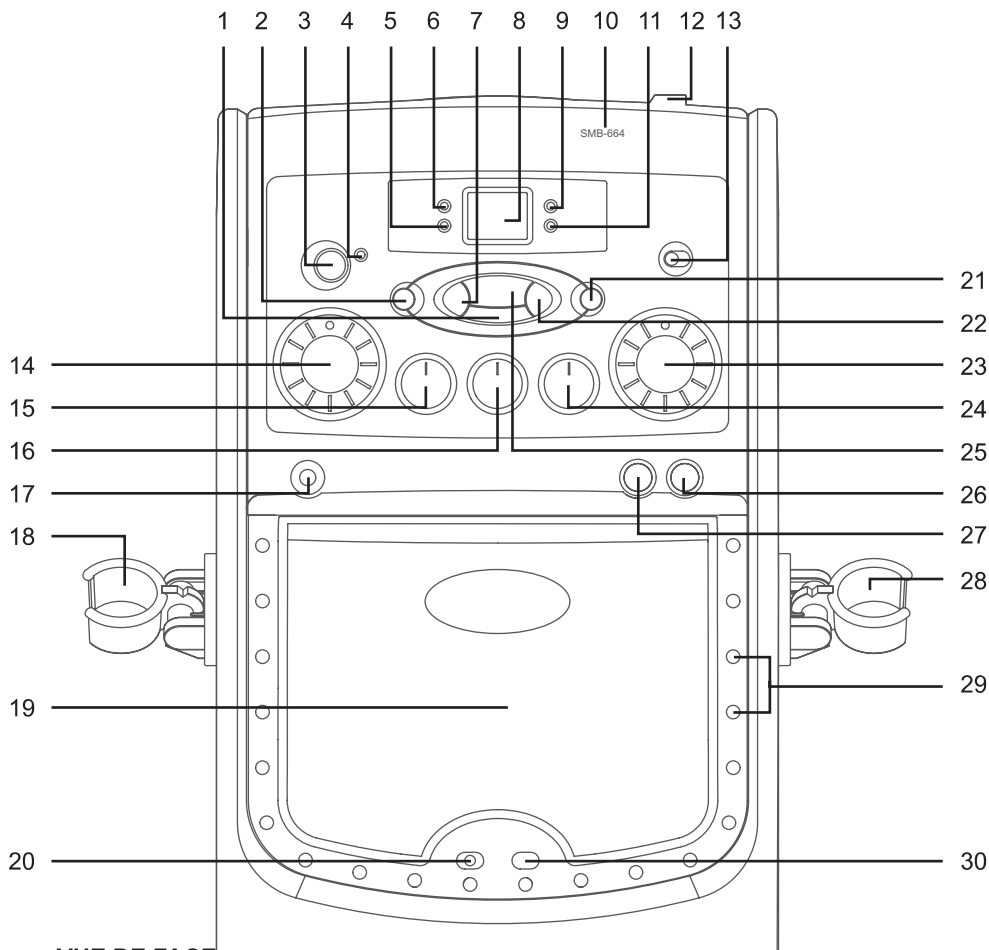
**Enceinte intégrée** - vous permet de vous amuser avec votre famille et amis grâce à la musique de l'appareil karaoké.

**Prises de sortie auxiliaires** - vous permettent de brancher un autre appareil audio de sortie telle qu'un égalisateur/suramplificateur ou un système de sonorisation.

**Prise jack de l'écouteur** - vous permet d'utiliser les écouteurs au lieu du haut-parleur incorporé.

# LOCALISATION DES CONTRÔLES

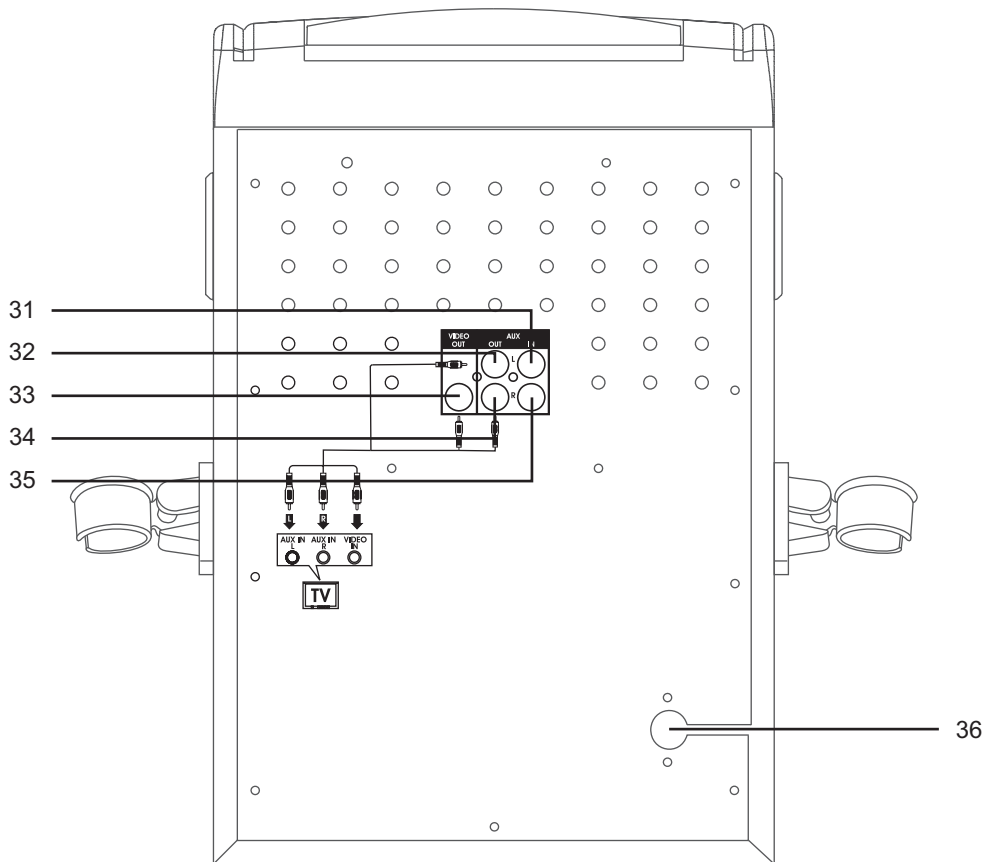
FRANÇAIS



## VUE DE FACE

- |                             |  |  |
|-----------------------------|--|--|
| 1. Bouton Arrêt             | 12. Ouverture du couvercle de la porte du CD     | 21. Bouton REPETER ►►                  |
| 2. Bouton PROGRAMME         | 13. SELECTION DE FONCTION                        | 22. Bouton SAUTER                      |
| 3. Bouton ALLUMER/ ETEINDRE | 14. Contrôle de VOLUME PRINCIPAL                 | 23. Contrôle de VOLUME MICRO           |
| 4. Indicateur LED ALLUME    | 15. Contrôle Automatique de Voix                 | 24. Contrôle d'ECHO                    |
| 5. LED REPETITION           | 16. Contrôle de BALANCE                          | 25. Bouton LECTURE/ PAUSE              |
| 6. LED PROGRAMME            | 17. Prise Jack du casque                         | 26. Prise jack MIC 2                   |
| 7. Bouton SAUTER ◀◀         | 18. Support de Micro                             | 27. Prise jack MIC 1                   |
| 8. Affichage Lumineux LED   | 19. Haut-parleur                                 | 28. Support de Micro                   |
| 9. LED REPRODUCTION/ PAUSE  | 20. Interrupteur LUMIERE (ETEINT/MUSIQUE/ STYLE) | 29. Lumière Disco                      |
| 10. Numéro de Modèle        |  | 30. Bouton de MODE DE STYLE DE LUMIERE |
| 11. LED du CDG              |  |  |

# LOCALISATION DES CONTRÔLES



## VUE ARRIERE

- |   |   |
|---|---|
| 31. Jack d'entrée auxiliaires (Gauche)  | 34. Jack de sortie auxiliaires (Droite) |
| 32. Jack de sortie auxiliaires (Gauche) | 35. Jack d'entrée auxiliaires (Droite)  |
| 33. Prise jack SORTIE VIDEO             | 36. Fil d'ALIMENTATION AC               |

# POUR FAIRE LES CONNEXIONS

## BRANCHEMENT DE L'ALIMENTATION

Vous pouvez brancher le système à une prise AC normale en utilisant le fil d'alimentation fourni.

**AVERTISSEMENT:** Le cordon d'alimentation fourni a une fiche polarisée qui n'entre dans la prise de courant murale que dans un seul sens. Si vous ne parvenez pas à introduire la fiche dans la prise, essayer dans l'autre sens. Ne pas la forcer.

## CONNEXION DE VOTRE ECOUTEUR

Il y a une prise d'écouteurs pour utiliser un écouteur à la place du haut-parleur. (Les écouteurs sont vendus séparément.)

## BRANCHEZ - LE SUR VOTRE T.V.

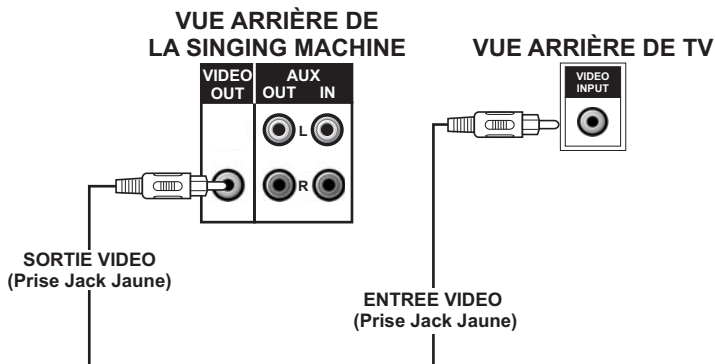
La Singing Machine est livrée avec un cordon de raccordement pour vous permettre de brancher votre appareil à un système externe audio/son et appareil vidéo. Le cordon de raccordement possède 3 prises jack RCA à chaque extrémité. Blanc et Rouge sont pour les connexions audio gauche et droite, et le Jaune est pour la connexion Vidéo.

Vérifiez qu'il y a un disque CDG dans la Singing Machine et qu'il joue quand vous faites la connexion. Vous saurez que la configuration de votre TV ou MAGNETOSCOPE est correcte dès que vous verrez le logo de la Singing machine ou les paroles sur l'écran.

## CONNEXION VIDÉO

Veillez suivre les étapes ci - dessous pour afficher les paroles du CDG sur Ecran de TV:

- (1) Localisez les fils de connexion multicolores.
- (2) Connectez le câble vidéo (jaune) à l'SORTIE Vidéo à l'arrière de la Singing Machine.
- (3) Connectez l'autre extrémité au câble vidéo (jaune) à la ENTREE Vidéo d'une autre source vidéo, telle que MAGNETOSCOPE ou TV.



## POUR FAIRE LES CONNEXIONS

Si votre téléviseur ne possède pas l'Entrée Vidéo nécessaire, vous aurez besoin d'un Modulateur RF (modulateur de Radio Fréquence), qui fait la connexion au travers de l'Antenne TV ou du câble et sert d'Entrée Vidéo.

Un Modulateur RF peut être acheté chez presque tous les détaillants de matériel électronique. Si vous connectez la vidéo de la Singing Machine que ce soit à l'entrée vidéo d'une TV ou d'un MAGNETOSCOPE, il faut que vous spécifiez la source TV ou MAGNETOSCOPE qui doit être affichée. Le manuel d'utilisation de votre TV ou MAGNETOSCOPE peut vous indiquer comment afficher le signal vidéo à partir de la prise jack vidéo.

Si vous ne possédez pas le manuel de votre TV ou MAGNETOSCOPE, nous suggérons que vous appeliez le Service Après - Vente du fabricant de votre TV ou MAGNETOSCOPE. Seul le fabricant pourra vous indiquer rapidement comment configurer votre TV ou MAGNETOSCOPE pour afficher le signal vidéo provenant de la prise jack d'entrée.

\*Note: Certains appareils de TV n'affichent pas le fond bleu standard utilisé normalement par la plupart des CGDs. Si la couleur de fond n'est pas correcte ou si elle clignote, essayez de connecter votre Singing Machine à un tube TV normal.

### MOYENS HABITUELS DE CONFIGURATION DE VOTRE TV OU MAGNETOSCOPE

Votre Singing Machine est conçue pour connecter votre TV de la même façon que vous connectez une caméra vidéo, un MAGNETOSCOPE ou une console de jeu vidéo. La Singing Machine envoie constamment des signaux vidéo et audio aux prises jack Sortie Vidéo et Sortie Aux à chaque fois que vous jouez un CDG, chargez donc un CDG dans votre Singing Machine avant de commencer à faire ces connexions. Vous verrez les paroles sur l'écran TV dès que la configuration sera correcte.

Nous nous reportons à TV/MAGNETOSCOPE parce que les fabricants utilisent des moyens très semblables pour connecter les TV et MAGNETOSCOPES et vous pouvez connecter votre Singing Machine à une TV, un MAGNETOSCOPE ou un système via satellite. La configuration de la TV/MAGNETOSCOPE est la partie la plus difficile pour faire les connexions et afficher les paroles de la Singing machine. Dans la plupart des maisons, la TV possède un câble branché ou une antenne en fonctionnement. Une fois que vous avez connecté votre Singing Machine à votre TV/MAGNETOSCOPE vous devez "dire" à votre TV/MAGNETOSCOPE d'afficher l'entrée de la Singing Machine au lieu de l'entrée habituelle du câble ou de l'antenne.

Vérifiez le manuel d'utilisation de votre TV/MAGNETOSCOPE pour installer de la manière la plus facile votre appareil particulier de divertissement. Si UD no tiene el manual de su TV o VCR, sugerimos llamar al departamento de asistencia técnica del fabricante. Ci - dessous nous donnons la liste des moyens les plus fréquents de configurer une TV/un MAGNETOSCOPE:

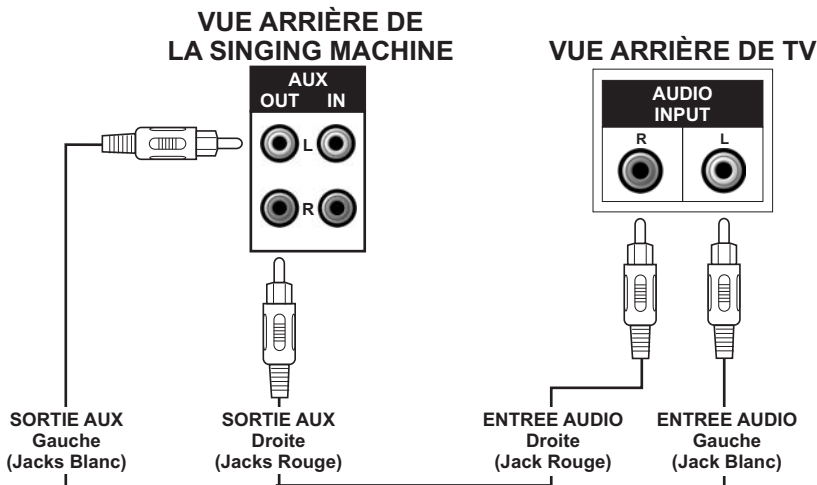
- (1) Dans le menu de configuration de la TV/MAGNETOSCOPE il doit y avoir une option "Sélection d'Entrée" où vous pouvez choisir entre "Câble/Antenne", "Vidéo 1" ou "Vidéo 2" comme source d'entrée.
- (2) Essayez de chercher une chaîne "Vidéo" entre la plus haute chaîne et la plus basse sur votre TV ou MAGNETOSCOPE. (C'est à dire entre la chaîne 99 et la chaîne 2 il devrait y avoir une chaîne "Vidéo", "Entrée" ou "Jeu".)
- (3) Cherchez le bouton sur la télécommande de votre TV/MAGNETOSCOPE auquel vous êtes connecté qui indique "Vidéo", "Vidéo 1", "Jeu", "Aux", "Ext", "Line 1", "Line-in" ou parfois le bouton "MAGNETOSCOPE" affichera la source d'entrée vidéo.

# POUR FAIRE LES CONNEXIONS

## CONNEXION AUDIO

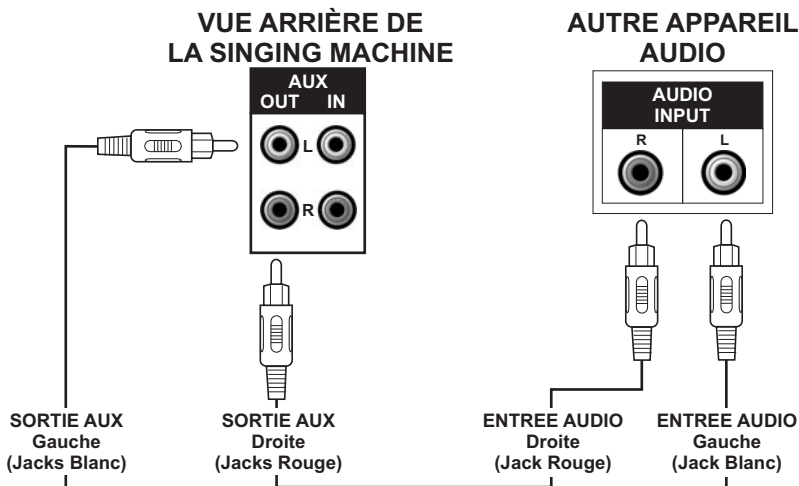
Vous pouvez raccorder l'appareil à votre téléviseur ou chaîne stéréo en utilisant les fiches blanches et rouges du cordon fourni. Brancher le bout blanc du cordon à la prise d sortie blanche située sur le panneau arrière du appareil. Brancher le bout rouge du cordon à la prise d sortie rouge du appareil. Vous pouvez maintenant brancher les fiches blanche (canal gauche) et rouge (canal droit) de l'autre bout du câble aux prises 'Audio In' ou 'Auxiliary In' de votre téléviseur ou chaîne stéréo.

FRANÇAIS



## POUR CONNECTER UN APPAREIL AUDIO À LA SORTIE

Pour connecter un appareil audio (tel qu'amplificateur ou système d'amplification pour public) de façon à ce que vous puissiez entendre la musique de la Singing Machine et les voix par celui-ci, branchez l'appareil audio aux prises jack SORTIE AUX.




# FRANÇAIS

## FONCTIONNEMENT DU CD OU CD+G

\* **AVERTISSEMENTS - Si vous frappez ou laissez tomber le micro quand il est utilisé, vous pourrez l'endommager définitivement. Résistez à l'envie de faire tourner le micro par le fil!**

### PRÉPARATION

- L'appareil est conçu pour jouer des CD possédant le logo d'identification "  ". Si les CD ne sont pas conformes aux normes des CD, ils ne seront pas joués correctement.
- Les empreintes digitales et la poussière doivent être soigneusement nettoyées avec un chiffon doux. Nettoyez en un mouvement droit à partir du centre du disque vers le bord externe.
- Ne jamais utiliser de produits chimiques tels que vaporisateurs pour nettoyer les disques, vaporisateurs ou fluides antistatiques, benzène ou diluant pour nettoyer un disque compact. Ces produits chimiques endommageront définitivement la surface plastique du disque.
- Placez un disque dans le compartiment avec le côté imprimé tourné vers le haut et le côté brillant vers le bas. Les disques compacts peuvent être joués seulement d'un côté.
- Pour retirer un disque de l'étui de rangement, pressez au centre du boîtier et soulevez le disque en le tenant soigneusement par le bord.
- Remettre les disques dans leur boîtier après usage pour éviter la poussière et les rayures.
- Pour éviter de tordre le disque, ne l'exposez pas directement à la lumière solaire, haute humidité ou hautes températures pendant de longues périodes.
- Ne collez de papier ni n'écrivez sur l'une ou l'autre face du disque. Les encres utilisées dans certains feutres peuvent endommager les surfaces du disque.

### LECTURE DE DISQUE CD OU CD+G

- Réglez les contrôles de VOLUME PRINCIPAL de votre appareil, TV ou système audio comme vous le désirez.
- Réglez les contrôles MICRO/ECHO/BALANCE comme nécessaire pour obtenir le mélange de musique et voix souhaité sur votre TV ou équipement sonore.
- Ne pas appuyer sur la porte du plateau de CD pendant qu'un CD est joué.
- Ne jamais placer autre chose qu'un disque compact dans le compartiment à disques. Des corps étrangers peuvent endommager l'appareil.
- Ne pas forcer de trop sur le couvercle du disque.
- Ne placer qu'un seul disque sur le plateau à la fois.

### POUR ALLUMER/ETEINDRE

- Pour allumer le Centre Karaoké, pressez le bouton ALIMENTATION, l'indicateur LED ALLUME s'allume.
- Pour ETEINDRE le système, pressez le bouton ALIMENTATION à nouveau, l'indicateur LED ALLUME s'éteint.

### SELECTION DE FONCTION

Placez le bouton de SELECTION DE FONCTION sur CDG.

### CHARGEMENT D'UN DISQUE

- Soulevez la porte de CD pour ouvrir le compartiment CD/CDG. Placez un disque dans le compartiment avec le côté imprimé tourné vers le haut et le côté brillant vers le bas.
- Fermez doucement la porte du CD du compartiment CD/CDG. Après quelques secondes le témoin lumineux LED affiche le nombre total de pistes. (Si aucun disque n'est chargé, "- -" est affiché).

● **(Voir le Guide de Localisation de Problèmes page F14 si un disque est chargé mais que le nombre total de pistes n'apparaît pas.)**

# FONCTIONNEMENT DU CD OU CD+G

---

## MODE LECTURE/PAUSE

- Pour commencer à jouer, pressez le bouton LECTURE/PAUSE. La première piste [ 1 ] et l'indicateur LED REPRODUCTION/PAUSE seront affichés.
- Pour arrêter de jouer momentanément pressez le bouton LECTURE/PAUSE à nouveau. L'indicateur LED LECTURE/PAUSE clignotera.
- Pour arrêter de jouer, pressez le bouton à nouveau.

## MODE ARRET

Si le bouton ARRET est pressé pendant la reproduction, le disque s'arrêtera de jouer. (Le nombre total de pistes est montré dans la fenêtre LED).

## SAUTER REPRODUCTION (POUR DISQUES CD AUDIO ET CDG)

- En mode ARRET vous pouvez sauter de pistes en avant ou en arrière jusqu'au numéro désiré en appuyant sur les boutons SAUTER (◀◀-SKIP-▶▶).
- Pour recommencer à jouer la musique sélectionnée, appuyez sur le bouton LECTURE /PAUSE.

## RECHERCHE (SEULEMENT POUR DISQUES CD AUDIO)

Quand vous jouez un CD audio, pressez et maintenez le bouton SAUTER (◀◀-SKIP-▶▶) et le CD cherchera à grande vitesse en avant ou en arrière. La lecture normale continuera lorsque vous aurez relâché le bouton.

## REPETER

- Pour répéter la piste actuelle, pressez le bouton REPETITION une fois. L'indicateur LED REPETITION clignote.
- Pour répéter toutes les pistes, pressez le bouton REPETITION deux fois. L'indicateur LED REPETITION s'allume.
- Pour annuler la fonction Répétition, pressez le bouton REPETITION à nouveau. L'indicateur LED REPETITION s'éteint.

## PROGRAMME

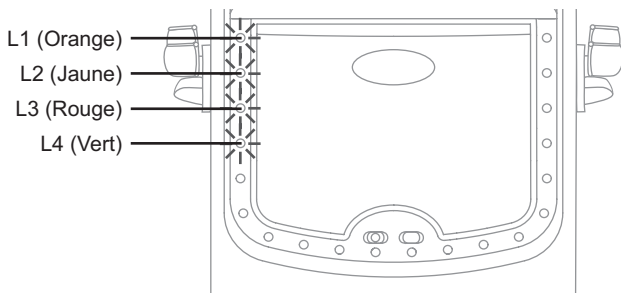
- Utilisez le bouton PROGRAMME pour jouer les chansons en ordre présélectionné.  
Etape 1: Programmer en mode d'arrêt seulement. Pressez la touche de programmation jusqu'à ce que le témoin lumineux LED s'allume, la piste lira [ 0 ].  
Etape 2: Pressez le bouton SAUTER (◀◀-SKIP-▶▶) pour sélectionner la piste désirée.  
Etape 3: Pressez le bouton PROGRAMME pour confirmer l'entrée. Vous pouvez répéter les étapes jusqu'à un maximum de **20** pistes.  
Etape 4: Pressez LECTURE après avoir terminé de programmer et vous êtes prêt à commencer à chanter.
- Pour vider toutes les mémoires programmées, pressez le bouton ARRET.



# FRANÇAIS

## FRONCTIONNEMENT DE LA LUMIERE DISCO

- Placez le bouton LUMIERE en position MUSIQUE les lampes commenceront à s'allumer en accompagnant le niveau de sortie du son.
- Pour éteindre la fonction Lumière Disco, placez le bouton LUMIERE en position ETEINT.
- Placez le bouton LUMIERE en position STYLE, puis appuyez sur le bouton de MODE DE STYLE DE LUMIERE à plusieurs reprises pour apprécier les 8 différents types d'effets lumineux comme indiqué dans le tableau suivant.



<p><b>Mode 1</b> Mode de Combinaison - En ce mode les six styles de mode du Mode 2 au Mode 7 seront activés alternativement.</p>
<p><b>Mode 2</b> L'illumination ondulante en avant et en arrière - Le scintillement sera rapide et lent. Le scintillement rapide, lent ...se fera alternativement. A chaque cycle, la direction de l'illumination changera d'avant en arrière à certains intervalles.</p>
<p><b>Mode 3</b> Scintillement en boucle - La lampe s'allume dans l'ordre L1L2-&gt;L2L3-&gt;L3L4-&gt;L4L1-&gt;L1L2 ...il y aura quatre styles s'affichant à un certain intervalle .</p>
<p><b>Mode 4</b> Certaines lampes s'allument et s'éteignent et la séquence est L1-&gt;L2-&gt;L3-&gt;L4-&gt;L1, quand une lampe s'éteint, celle qui est derrière s'allume. Celle qui est derrière s'allume au maximum quand la précédente s'est éteinte complètement. Il y a 3 vitesses pour s'éteindre qui apparaîtront alternativement à certains intervalles.</p>
<p><b>Mode 5</b> Illumination en boucle en avant et en arrière, s'allume et s'éteint. La séquence en boucle se fait en avant (L1L2-&gt;L2L3-&gt;L3L4-&gt;L4L1-&gt;L1L2...)scintillement en boucle en arrière (L4L3-&gt;L3L2-&gt;L2L1-&gt;L1L4-&gt;L4L3...) scintillement en boucle en avant ... Alternativement..</p>
<p><b>Mode 6</b> Quatre lampes s'allument et s'éteignent ensemble. Il y a trois vitesses pour que les lampes s'allument et s'éteignent, alternativement à certains intervalles. especificos.</p>
<p><b>Mode 7</b> Brille et scintille en même temps en boucle. (L1L2-&gt;L2L3-&gt;L3L4-&gt;L4L1-&gt;L1L2...)</p>
<p><b>Mode 8</b> Toutes les lampes restent allumées.</p>

## SOINS ET ENTRETIEN

### ALIMENTATION

Après avoir utilisé le appareil, mettre l'appareil hors tension en appuyant sur le bouton ALLUMER/ETEINDRE.

### NETTOYAGE DE L'APPAREIL

Pour nettoyer l'extérieur de l'appareil, nettoyez simplement avec un chiffon doux et propre humecté avec de l'eau tiède.

### NETTOYAGE DE L'APPAREIL

Pour de meilleurs résultats: Pour nettoyer l'extérieur de l'appareil, nettoyez simplement avec un chiffon doux et propre humecté avec de l'eau tiède.

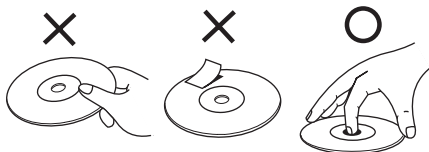
Si vous ne trouvez pas de disque de nettoyage de la lentille, utilisez un chiffon en coton propre, doux et sec et nettoyez doucement le petit verre de la lentille laser du lecteur de CD.



**Pour éviter des risques de choc électrique ou incendie, débranchez votre appareil stéréo de l'alimentation AC quand vous le nettoyez.**

### COMPACT DISQUE MANIPULATION DU DISQUE

Bien que les pistes de musique du disque soient recouvertes d'une couche protectrice, on recommande toujours de traiter les disques avec soin. Prenez soin de toujours saisir les disques par le bord et de les remettre dans leur boîte immédiatement après usage.



### NETTOYAGE DU DISQUE

Normalement le nettoyage ne sera pas nécessaire. Cependant, si des empreintes digitales, poussière ou saleté apparaissent, vous pouvez les nettoyer avec un chiffon doux sans peluche. Nettoyez en un mouvement droit à partir du centre du disque vers le bord externe. Vous pouvez aussi mouiller le disque avec de l'eau du robinet d'abord si nécessaire.



**NOTE: Ne pas utiliser de détergents ni d'agents de nettoyage abrasifs, car ils pourraient endommager le disque.**

### LECTEUR DE CD

Le mécanisme du lecteur possède un système autolubrifiant et ne doit pas être huilé ni graissé.

## GUIDE DE LOCALISATION DE PROBLEMES

Si vous avez suivi les instructions et que vous avez des difficultés à faire fonctionner l'appareil, localisez le PROBLEME dans la colonne de gauche ci - dessous. Vérifiez la CAUSE POSSIBLE correspondante dans la colonne de localisation et réglez le problème.

PROBLEME	CAUSE POSSIBLE	SOLUTION
Ne s'allume pas quand il est en position ALLUME.	Pas de connexion de la prise d'alimentation à la prise AC.	Insérez la prise d'alimentation dans la prise AC.
Ne s'allume pas quand il est branché.	La prise AC n'est peut - être pas alimentée en électricité.	Vérifiez la prise avec une lampe qui fonctionne ou un autre appareil électrique.
Pas de son.	Le Contrôle de Volume est au minimum.	Augmentez le volume.
	Le Contrôle de Volume sur l'appareil TV/système PA est au minimum.	Augmentez le volume du système TV/PA.
	Appareil TV/système PA (Public) ETEINT.	Allumez le système TV/Public.
	Jacks de SORTIE AUX non branchés.	Suivez les instructions page F9 de la "Connexion Audio".
	Une fonction incorrecte a été sélectionnée.	Sélectionnez la fonction correcte.
Le LECTEUR DE CD ne fonctionne pas normalement ou bien " - - ", " E " ou " 00 " sont affichés.	Le Disque a été placé à l'envers.	Insérez le disque correctement.
	Le disque est sale.	Nettoyez avec un chiffon doux.
	Le Disque est rayé.	Utilisez un nouveau disque.
	Le Disque est tordu.	Utilisez un nouveau disque.
	Un disque non conventionnel est inséré.	Utilisez seulement des disques avec l'étiquette standard décrite page F10.
	De l'humidité s'est formée à l'intérieur du Lecteur de CD.	Attendez de 20 à 30 minutes pour laisser sécher.
	La Singing Machine doit être redémarrée.	Démontez la machine de la source d'énergie pendant 30 secondes.
Pas de son (si l'audio passe par TV ou MAGNETOSCOPE).	La Sélection de la source de la TV ou du MAGNETOSCOPE n'est pas correcte.	Suivez les instructions page F7 de "Connexion Vidéo".

## GUIDE DE LOCALISATION DE PROBLEMES

PROBLEME	CAUSE POSSIBLE	SOLUTION
Pas de son (si l'audio passe par l'appareil stéréo).	Le choix de source sur votre stéréo n'est pas placé correctement.	Sélectionnez ENTREE AUX comme source pour votre appareil stéréo.
	Connexion incorrecte à l'appareil stéréo ou au système PA (public).	Suivez les instructions page F9 pour connecter à votre appareil stéréo.
Les paroles n'apparaissent pas sur l'écran.	Le câble vidéo n'est pas connecté correctement à la TV.	Raccorder le câble vidéo à la prise de sortie VIDEO OUT du Singing Machine et à la prise d'entrée VIDEO IN du téléviseur.
	Le sélecteur de source de la TV n'est pas placé sur VIDEO.	Utilisez la télécommande de votre TV pour sélectionner l'entrée VIDEO.
	La TV ne possède pas d'entrée vidéo.	Connectez la SORTIE VIDEO de l'appareil et ENTREE VIDEO de votre MAGNETOSCOPE, ou connectez - le à un Modulateur RF et ensuite à l'entrée de câble TV. Voir " Pour Faire les Connections" page F7. Vérifier que le disque est un CDG. (Voir page F17 pour détails de nettoyage.)
	Un CDG est chargé mais le témoin CDG ne s'allume pas.	Vérifiez que le disque est propre. (Voir page F13 pour les instructions.)

## DETAILS TECHNIQUES

<b>SECTION AUDIO:</b> ALIMENTATION DE SORTIE (MAXIMUM) IMPÉDANCE DE SORTIE	2 WATTS (RMS) 8 OHMS
<b>SECTION DU LECTEUR DE CD:</b> RÉPONSE DE FRÉQUENCE RAPPORT SIGNAL - BRUIT BRUIT ET CHUINTEMENT D - A CONVERSION NOMBRE DE PROGRAMMES SYSTÈME D'ÉCHANTILLONNAGE	100 Hz - 20 kHz 50 dB INCOMMENSURABLE 1-BIT DAC PROGRAMMATION ALÉATOIRE À 20 TOURS ANTICRÉNELAGE 8 FOIS
<b>MICRO</b>	IMPEDANCE -74 dB 600 OHMS AVEC MICRO DYNAMIQUE Ø 6,3mm
<b>SECTION ALIMENTATION</b>	AC 110V-120V~60Hz
<b>DIMENSIONS (H x L x P)</b>	13,2 x 9,4 x 8,1 Pouces / 33,4 x 23,8 x 20,6 Centimètres
<b>POIDS</b>	7,7 lbs / 3,5 kgs
<b>ACCESSOIRES</b>	1. DISQUE CD+G PREENREGISTRE DE KARAOKE 2. CABLE AV 3. MICRO DYNAMIQUE

Les spécifications sont typiques, les appareils individuels peuvent varier. Ils sont sujets à des améliorations continues sans avis préalable et sans faire encourir aucune obligation.

# GLOSSAIRE DES TERMES DU KARAOKE SINGING MACHINE

En plus de la terminologie associée avec les appareils électroniques de consommation, des termes supplémentaires sont utilisés presque exclusivement pour le karaoké. Ces termes servent à vous familiariser avec l'univers du Karaoké. Les caractéristiques énumérées ci-dessous, ne s'appliquent **peut - être pas** nécessairement au modèle particulier du Singing Machine que vous avez. Voici une brève explication des termes Karaoké:

## **Écho:**

L'écho ajoute de la profondeur et de la résonance à la voix du chanteur sans toutefois modifier la musique. Cet écho est produit en créant une répétition mineure et contrôlée dans la voix du chanteur.

## **Multiplex:**

Nos enregistrements multiplex contiennent 2 copies de la même chanson. Une version est l'enregistrement en stéréophonie de la chanson sans la voix du chanteur leader. La seconde version est enregistrée avec la musique et le chœur sur le canal de gauche et la voix du chanteur leader enregistrée sur le canal de droite. Cet enregistrement à 'pistes divisées' vous permet de contrôler le volume de la voix du chanteur leader en réglant le bouton de la balance. Vous pouvez chanter en duo avec le chanteur leader ou utiliser la voix du chanteur leader comme guide pour apprendre la chanson et en la faiblissant progressivement avec le réglage de la balance vous serez capable de chanter la chanson tout seul.

## **Contrôle automatique de la voix (A.V.C.):**

Lorsque la fonction AVC est activée, le chant d'un enregistrement multiplex s'arrête dès que le chanteur commence à chanter au microphone. Quand le chanteur arrête de chanter, le chant d'un enregistrement multiplex se réactive automatiquement. Cette fonction est utile surtout pendant l'apprentissage d'une nouvelle chanson. Veuillez noter que la fonction AVC marche seulement avec l'enregistrement multiplex et ne marche pas avec les enregistrements sonores ordinaires.

## **Contrôle de la hauteur:**

Cette fonction contrôle la hauteur de la musique en réglant la vitesse de la lecture de la cassette. En augmentant la vitesse de la cassette, la musique a un son plus aigu (haut). En diminuant la vitesse de la cassette, la musique a un son plus grave (bas).

## **Régulateur du ton:**

Le régulateur du ton change le ton de la musique du CD/CDG (en appuyant + ou -) pour l'adapter à la voix du chanteur.

## **CDG:**

C'est un acronyme pour *Compact Disc plus Graphics* (disque compact et graphiques). Vous allez aussi voir les variantes CD+G et CD+Graphiques. C'est un CD audio régulier avec information emmagasinée sur une piste de données, simultanément à la musique. En termes simples, un CDG a une sortie vidéo pour simples graphiques (il ne s'agit pas d'un vidéo à mouvements complets). Dans le cas du Karaoké, la fonction graphique est utilisée pour emmagasiner les paroles des chansons et pour afficher les paroles en harmonie avec la musique. Dans la plupart des cas, le logiciel CDG affiche les paroles avec un changement de couleur lorsqu'elles doivent être chantées. Vous n'avez besoin que d'un téléviseur ordinaire pour afficher les paroles d'un CDG.

**REMARQUE** - CDG est un type particulier de système de codification de disque compact qui est différent du VCD et du DVD. Votre Singing Machine peut décoder les disques audio compacts ordinaires et les disques CDG. Il ne lira pas les disques codifiés VCD ou DVD.

Les disques audio ordinaires et les cassettes n'afficheront pas les paroles sur votre écran de téléviseur. Les CD audio n'ont pas le logiciel nécessaire pour afficher les paroles.



**www.bratz.com**

TM & © MGA Entertainment, Inc.  
All Right Reserved. Used under license by  
The Singing Machine Co., Inc.



**The Singing Machine Company, Inc.**

664-0706-ENG-SPA-FRE01

6601 Lyons Road, Bldg. A7, Coconut Creek, FL33073-9902, USA.  
TEL: (954) 596-1000 FAX: (954) 596-2000

PRINTED IN CHINA  
IMPRESO EN CHINA  
IMPRIMÉ EN CHINE

**VISIT OUR WEBSITE [www.singingmachine.com](http://www.singingmachine.com)**  
**VISITE NUESTRO SITIO INTERNET [www.singingmachine.com](http://www.singingmachine.com)**  
**VISITE NOTRE SITE INTERNET [www.singingmachine.com](http://www.singingmachine.com)**



## Free Manuals Download Website

<http://myh66.com>

<http://usermanuals.us>

<http://www.somanuals.com>

<http://www.4manuals.cc>

<http://www.manual-lib.com>

<http://www.404manual.com>

<http://www.luxmanual.com>

<http://aubethermostatmanual.com>

Golf course search by state

<http://golfingnear.com>

Email search by domain

<http://emailbydomain.com>

Auto manuals search

<http://auto.somanuals.com>

TV manuals search

<http://tv.somanuals.com>