

**SWANSTONE**  
*Your Strongest Choice.*



**KITCHEN SINK Model No. KSEU-3020**

---



---

**OWNER'S MANUAL**  
**MODEL NO.**  
**KSEU-3020**

**Installation**  
**Care and**  
**Cleaning**

**CAUTION:**  
Read *ALL* instructions carefully  
*BEFORE* starting your installation.  
Save this manual for future reference.



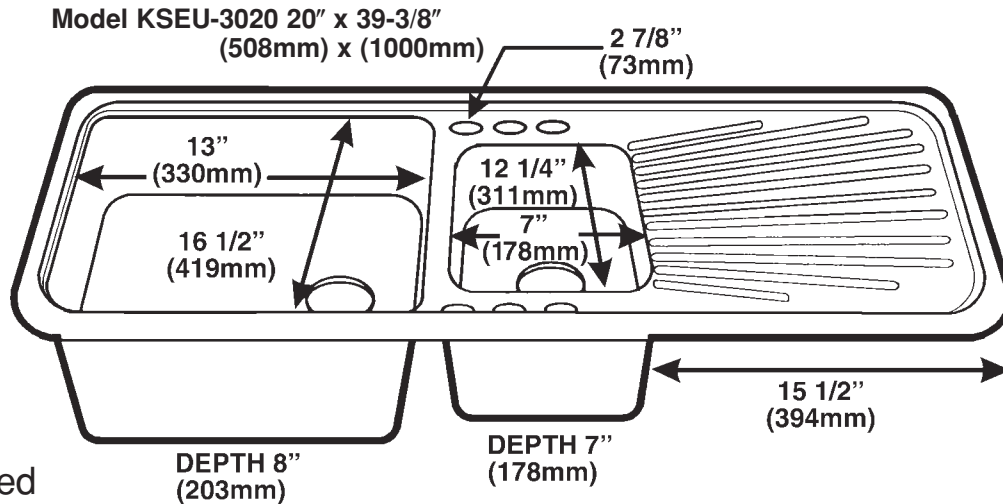
Patent Pending

**SWANSTONE**  
Your Strongest Choice.



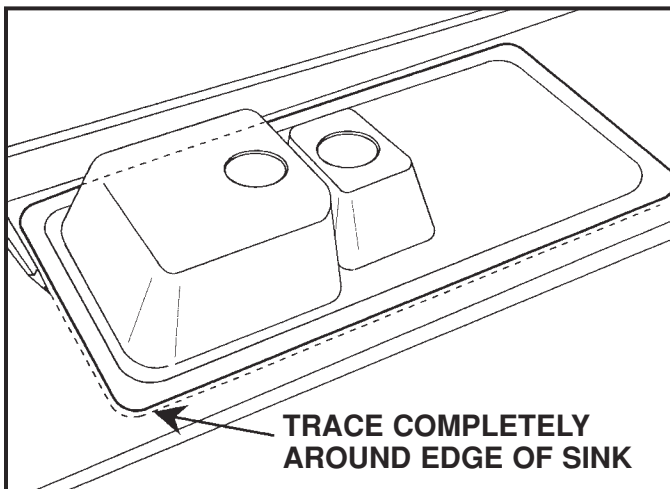
**KITCHEN SINK Model No. KSEU-3020**

## Step-By-Step Installation Instruction

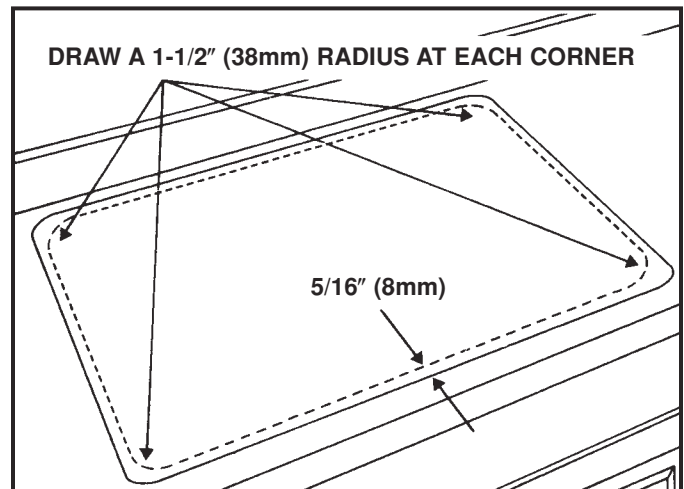


### Tools Required

- Ruler
- Drill
- Caulk
- Saber Saw (if counter top cutout is required)
- Screw Driver



1. If it is necessary to cut out the counter top, invert sink and position onto the counter top. Locate sink front to rear and right to left so that the bowl(s) will not interfere with the cabinets below. Trace a pencil line around the outside edge of the sink and remove the sink from the counter top.



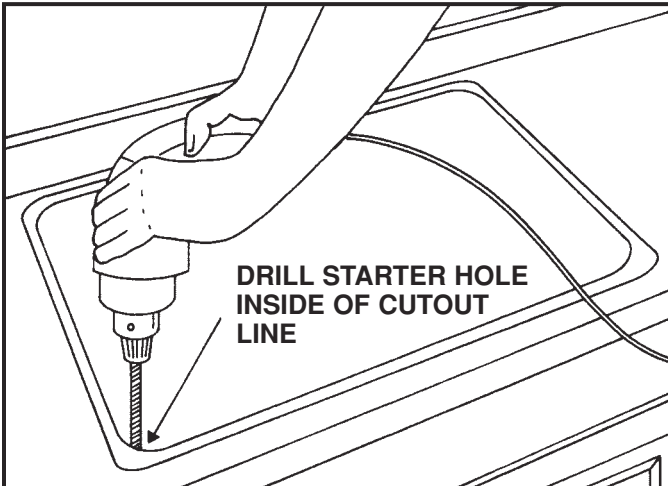
2. Measure in 5/16" (8mm) from the initial sink outline and draw a second line inside the first. Draw a 1-1/2" (38mm) radius at each corner. This second interior line will be your cutout line.

### Check Cutout Line Measurements

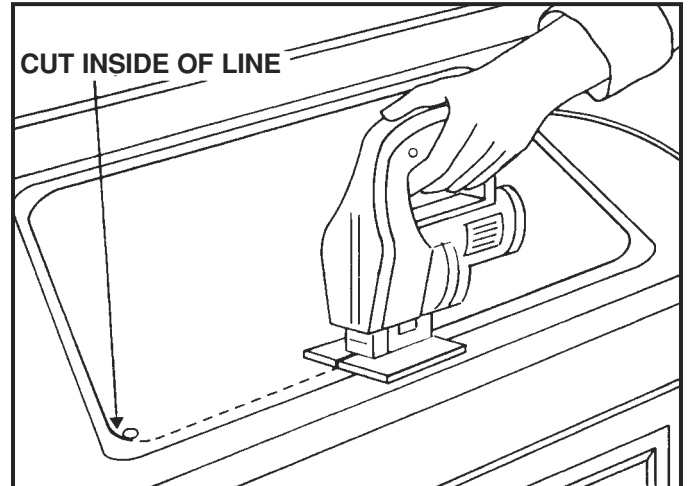
Model	Width	Depth
KSEU-3020	38-3/4" (984mm)	19-3/8" (492mm)

Measure the cutout line or the pre-cut opening to be sure it conforms to the sizes listed.

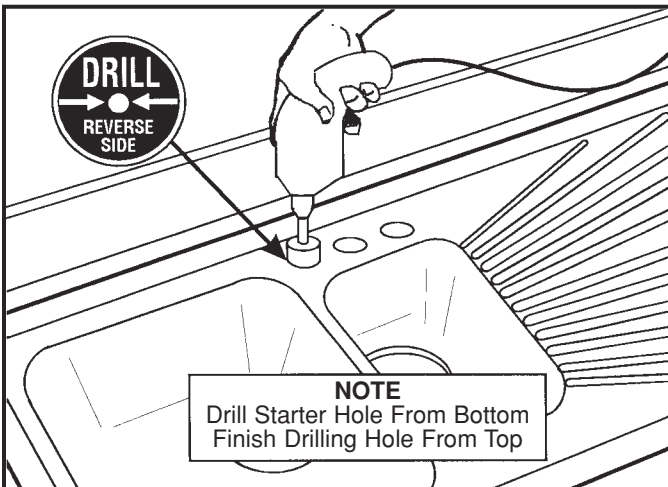
## Installation • Care and Cleaning



3. Drill starter hole inside of cutout line.



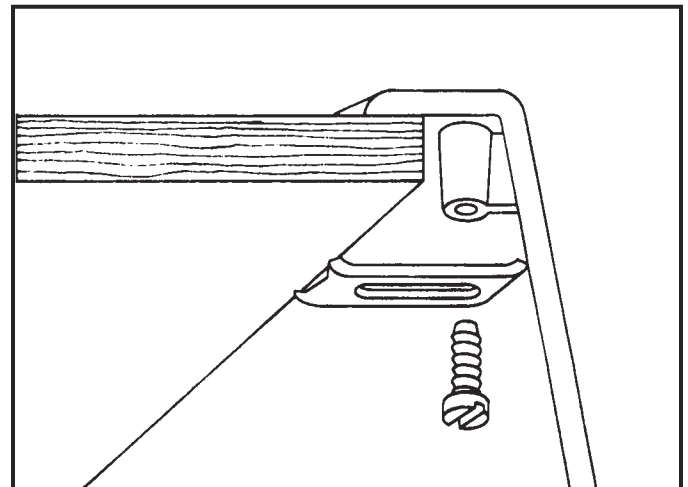
4. Using a saber saw, cut inside of cutout line. Trial fit sink to check proper fit.



5. Fixture hole locations are identified with a gray label indicating the most desired placement. Drill starter hole from reverse side. Working from the top side as illustrated, position a hole saw on the starter hole and drill to complete the fixture hole. Clean out fixture hole with a knife or file. (See Caution). Attach faucet, drain, and accessories according to manufacturer's instructions.

### CAUTION

Use of a hole saw is preferred, however, if punch is used, insure that ledge is supported and punch is placed directly in middle of knock-out area. If hole is not used, peel off the label.



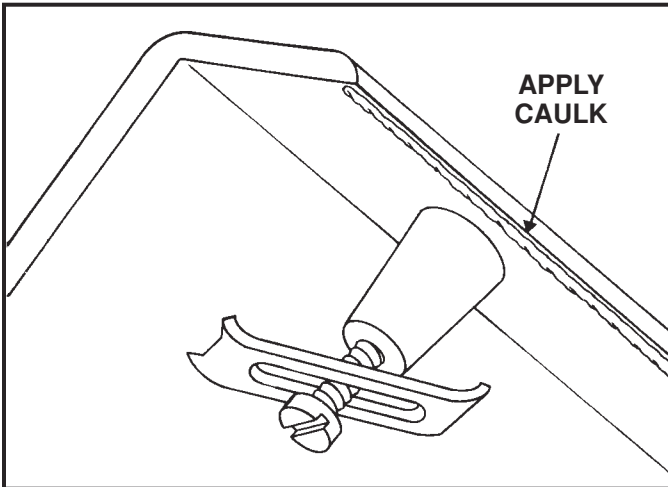
6. Attach sink clips as illustrated to underside of sink. Sink clips provided will accommodate a counter top up to 1-1/2" (38mm) thick.

**SWANSTONE**  
*Your Strongest Choice.*

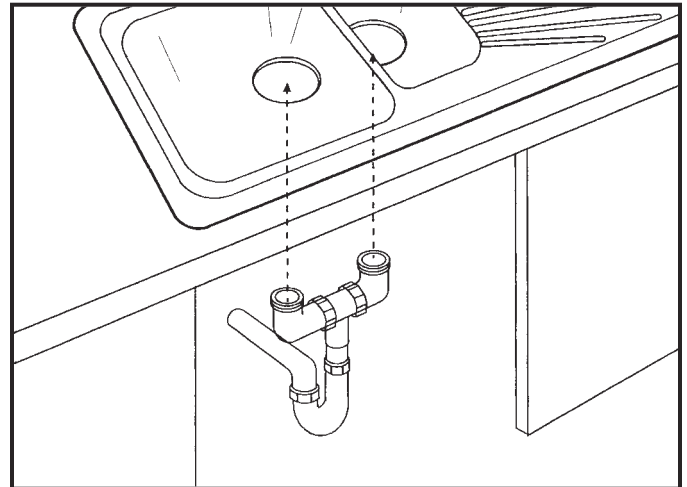


**KITCHEN SINK Model No. KSEU-3020**

**Installation • Care and Cleaning**



7. Apply a bead of caulk (not included) to the underside of the sink flange and position sink into counter top opening. First, tighten screws in front, then tighten rear screws.



8. Connect all faucet supply lines, disposal (if available), and drain trap fittings per manufacturer instructions.

**CHECK FOR LEAKS:**

- Supply user tubes to faucet
- Supply riser tubes to shut off valves or lower connections
- Fill sink with water and check for leaks around drain
- Release water from sink and check for possible leaks
- Tighten as needed

**CLEANING**

Clean your Swanstone kitchen sink as you would any other fine bath fixture, using normal household detergents and cleansers. Just wiping the wall surfaces quickly removes watermarks and residue. Occasional scrubbing with household abrasive cleansers ensures that the original luster is maintained, similar to tile and other permanent type bath fixture materials.

**REPAIRING**

**Solid Colors**

Use 400 grit sandpaper to remove scratches and gouges in the surface. A "scotchbright pad" can be used to blend in the area.

**Aggregate Colors**

Use 400 grit sandpaper to remove scratches and gouges in the surface. To blend in the area use a fine grade, white, automotive polishing compound or paste wax.



Patent Pending

Form #400-1-94-10M

## Free Manuals Download Website

<http://myh66.com>

<http://usermanuals.us>

<http://www.somanuals.com>

<http://www.4manuals.cc>

<http://www.manual-lib.com>

<http://www.404manual.com>

<http://www.luxmanual.com>

<http://aubethermostatmanual.com>

Golf course search by state

<http://golfingnear.com>

Email search by domain

<http://emailbydomain.com>

Auto manuals search

<http://auto.somanuals.com>

TV manuals search

<http://tv.somanuals.com>