

# Owner's Manual — Phoenix D385

## Installation, Operation & Service Instructions

### Read and Save These Instructions

The Phoenix D385 provides the perfect combination of features and performance the restoration industry has been craving in a desiccant dehumidifier. Designed to operate vertically or horizontally, the Phoenix D385 provides the wide operating range and ultra-low grains of a desiccant with the water removal capacity of the largest LGR's in cabinet dimensions identical to our popular Phoenix 200 Max.

The D385 delivers 385 CFM of ultra-low grain process air and removes an incredible 116 pints per day at AHAM conditions. The true four hole configuration\* allows the Phoenix D385 to be located in the affected area with the 75 CFM re-activation air stream isolated from the drying chamber. Three hole designed units\*\* inherently pull unaffected and/or outside air into the drying chamber. The D385's four hole design allows the restoration contractor to set-up for effective positive, neutral or negative pressure operation.

Able to operate vertically or horizontally, the D385 will fit inside most crawlspaces. Having the D385 securely inside, rather than outside the crawlspace access, deters the

possibility of tampering with the dehumidifier or the set-up. The 385 CFM of process air will provide 3 ACH on an affected area up to 7000 cubic feet.

The Phoenix D385 is easy to transport and set-up. The D385 will fit on your truck in the areas already designed for your LGR's and will move around the jobsite with the same portability. All the power to the unit is provided by two 115 volt grounded power cords. Simply plug the cords into separate 15 amp circuits. Each cord draws only 11 amps to power the D385. The re-activation air stream is ducted through 6" flex duct provided with the unit and stores conveniently in the top of the unit.

\*Having completely separate process and regeneration airstreams.

\*\*Where regeneration airstream is pulled from the process airstream.

#### The Phoenix D385 Desiccant Dehumidifier

- Ultra low grains
- Wide operating range
- 116 pints per day @ AHAM
- Operates vertically or horizontally
- Process airflow 385 CFM
- Two 23' power cords:  
11 Amps per cord  
22 Amps  
115 Volts/60 Hz
- Unlimited ducting possibilities
- Legendary stainless construction



Phoenix D385  
PN 4026700

TS-387

Revised 7/07

Specifications subject to change without notice.

## Table of Contents

Introduction .....	1
<b>1. Specifications</b> .....	2
<b>2. Operation</b> .....	3
2.1 How The Phoenix D385 Works.....	3
2.2 Avoiding Secondary Damages.....	3
2.3 Universal Use Set-Up.....	3
2.4 Location .....	4
2.5 Electrical Requirements .....	4
2.6 Control Panel .....	4
2.6A Power Switch.....	4
2.6B Pilot Light .....	4
2.6C Hour Meter .....	4
2.7 Ducting Connections.....	4
2.8 Storage and Transportation .....	5
<b>3. Maintenance</b> .....	5
3.1 Air Filter Replacement.....	5
<b>4. Service</b> .....	5
4.1 Warranty .....	5
<b>5. Wiring Diagram</b> .....	5
<b>6. Service Parts List</b> .....	6
<b>7. Warranty</b> .....	7

Serial No. \_\_\_\_\_

Purchase Date \_\_\_\_/\_\_\_\_/\_\_\_\_

Dealer's Name \_\_\_\_\_

*Read the operation and maintenance instructions carefully before using this unit.*

*Proper adherence to these instructions is essential to obtain maximum benefit from your Phoenix D385 dehumidifier.*

## 1 Specifications

<b>Part No.</b>	4026700
<b>Power</b>	2 circuits: 11 Amps, 115 VAC each 22 Amps total power consumption
<b>Water Removal</b>	116 pints per day AHAM
<b>Blower</b>	385 CFM Process Airflow 75 CFM Reactivation Airflow
<b>Operating Range</b>	Up to 140°F As low as 10°F
<b>Filters</b>	Process filter size: 16" x 20" x 2" Reactivation filter size: 12" x 12" x 1"
<b>Duct Connections</b>	Process Inlet: 12" Flex-Duct (optional) Process Outlet: 10" Lay Flat collar (optional) Reactivation Inlet: 6" Flex-Duct (optional) Reactivation Outlet: 6" Flex-Duct (required)

**Warranty** One year Parts and Labor

### Dimensions:

	Machine	Shipping
Width	24-1/4"	27-1/2"
Height	40"	45-1/2"
Depth	21-3/8"	22"
Weight	105 Lbs.	130 Lbs.

### Popular Accessories

4026859	6" Metalized Polyester Flex-Duct 25' (Standard)
4020128	6" Insulated Flex-Duct 25'
4024750	12" Metalized Polyester Flex Duct 25'
4022537	10" Lay Flat Duct 500'
4024935	10" Lay Flat Duct 250'
4024440	Kestrel 3000 Multi-Function Air Meter

### Process Air Filter Replacement

4021475	16" x 20" x 2" MERV 11 Filter (Standard)
4024969	16" x 20" x 2" MERV 6 Filter (Optional)
4022164	16" x 20" x 2" MERV 14 Filter (Optional)

### Reactivation Air Filter Replacement

4026315	12" x 12" x 1" MERV 7 Filter (Standard)
---------	---

## 2 Operation

### 2.1 How the Phoenix D385 works

Your Phoenix D385 has two separate air streams that run through it – Process (Fig. 1) and Reactivation (Fig. 2).

#### Process Air Stream:

**P1** – 385 CFM of air enters (12" flex) the top of the machine and...

**P2** – ...water vapor from incoming air is deposited on the desiccant wheel.

**P3** – 385 CFM of dry air exits (10" lay flat) the machine.

#### Reactivation Air Stream:

**R1** – 75 CFM of air enters (6" flex) the lower-side of the machine and...

**R2** – passes over the heater coils.

**R3** – Water vapor is picked up from the desiccant wheel by the hot air and...

**R4** – ...75 CFM of wet air exits (6" flex) the machine.

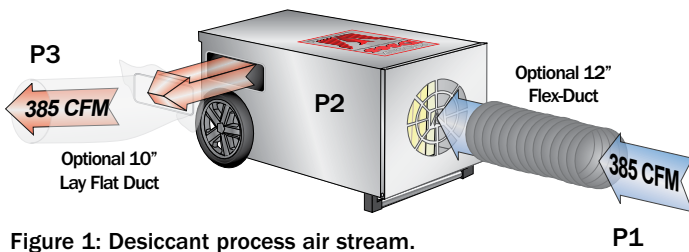


Figure 1: Desiccant process air stream.

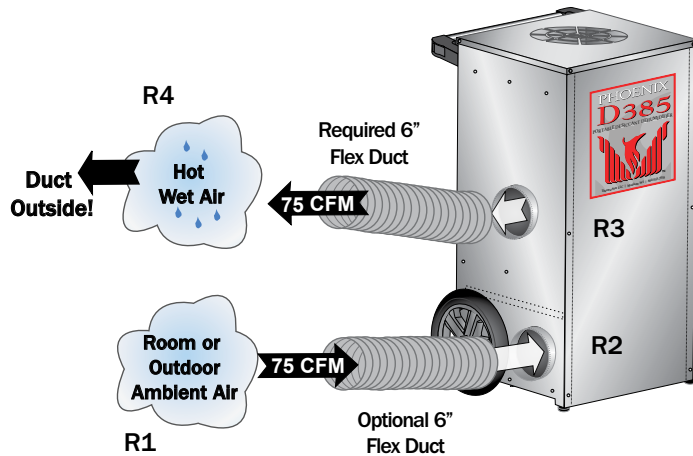


Figure 2: Desiccant reactivation air stream.

### 2.2 Avoiding Secondary Damages

The D385 is a powerful tool capable of removing a great deal of water from most environments. Care must be taken to avoid secondary damages of over-drying and or unexpected condensation.

Your Phoenix D385 removes vapor water from the incoming process air stream (Fig. 1) and transfers it to the outgoing reactivation air stream (Fig. 2). The reactivation exhaust air is hot and wet.

#### ! CAUTION

*Take care to prevent the reactivation exhaust air stream from causing secondary damage due to condensation.*

If the reactivation exhaust air stream cools below its dewpoint liquid water will condense inside the duct work creating puddles. If the reactivation exhaust air stream is not exhausted completely from the structure it can also cause secondary water damage.

Your Phoenix D385 does not produce liquid water internal to the machine. There is no condensate pump and no drain hose.

The D385 desiccant dehumidifier will continue to remove water from already dry, cold air. It is possible to over-dry objects and or structures.

#### ! CAUTION

*Care must be taken to avoid secondary damages due to over-drying.*

### 2.3 Universal Use Set-Up

When conditions warrant the use of a desiccant dehumidifier, use the set-up shown below (Fig. 3). This universal set-up will produce efficient drying, while avoiding secondary damages. The Phoenix D385 has been designed with the goal of being easy to use every time.

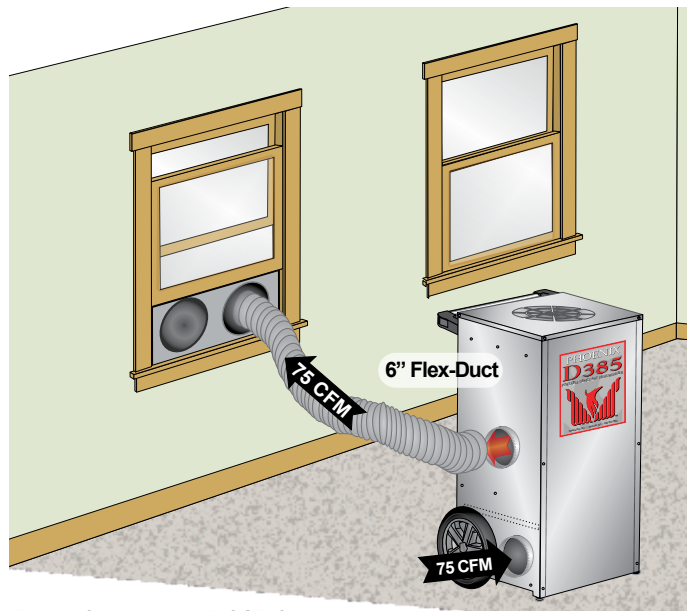


Figure 3: Universal D385 Set-up

## 2.4 Location

Note the following precautions when locating the Phoenix D385:

### **WARNING**

- It is designed to be used **INDOORS ONLY**.
- If used on a water loss work site, plug it into **GROUND FAULT CIRCUIT INTERRUPT (GFCI) OUTLETS**
- The air inlet on top and the side outlet must be at least 1 foot from walls and other air flow obstructions.
- If the humid area is very large, dehumidification can be improved by adding an outlet duct to circulate process air to stagnant areas.
- **DO NOT** use the Phoenix D385 as a bench or table.

## 2.5 Electrical Requirements

When used on a water loss work site, ground fault circuit interrupter (GFCI) outlets are required.

Your Phoenix D385 requires a total of 22 amps, 115VAC. In order to run at all, this machine must be plugged into two separate circuits each with a minimum of 11 amps dedicated capacity available.

The D385 has two separate power cords, each cord must be plugged into its own 15 amp circuit. If both cords are plugged into the same 15 amp circuit this circuit will trip when the unit is turned on.

Another situation to avoid is that one or both of the circuits which the D385 is using can be tripped by other appliances drawing power from either circuit. This can happen well after a job site has been set-up as in the case with a freezer compressor turning on.

Care must be taken to insure that the D385 always has sufficient power available to run without tripping breakers or blowing fuses.

If your location requires the use of an extension cord, use safe techniques in selection and connection. Such cords must be grounded and rated for carrying 11 amps: 14 gauge minimum for one extension less than 25ft in length or 12 gauge for one extension less than 50ft in length.

## 2.6 Control Panel

### 2.6A Power Switch

The D385 has one control device, the power switch. When the power switch is moved to the “on” position your portable desiccant is dehumidifying. The machine will continue to dehumidify in all conditions until the power is turned off: There is no dehumidistat (see over-dry warning section 2.2).

### 2.6B Pilot Light

The power indicator lamp illuminates to indicate that the D385 is functioning properly. This indicator is helpful when a job site is too noisy to know what equipment is running properly. At a glance from across the room the operator can verify that the D385 is operating as it should.

### 2.6C Hour Meter

The hour meter will run whenever your D385 is on. This digital hour meter measures the cumulative time of operation in one-tenth hour increments. This non-resettable time is often used to verify hours on a job or to schedule maintenance. When the D385 is un-plugged the timer will continue to hold and display the cumulative hours run.

## 2.7 Ducting Connections

Using excess duct length significantly reduces air flow volume through duct. This is true in any application. If the job at hand needs a short length of duct, cut a section to the appropriate length. If air flow is restricted by excess length, performance will suffer. The same can be said of excess bends in the ducting.

Three different duct sizes are used on the D385. All ducting materials are available from Therma-Stor LLC (see accessories list section 1).

### Process in: 12” flex duct.

To attach flex duct to the process air intake, push the wire of the first couple of loops down below the four tabs in the top cover.

### Process out: 10” diameter lay flat plastic duct.

When inflated this ducting forms a 10” circle. 10” lay flat ducting attaches to the D385 by means of a 12”x 6” wire rectangle. To attach lay flat ducting to the process exhaust air (Fig. 1, P3), put the plastic duct end through the collar center and roll the plastic ducting’s end outward so that it overlaps the outside of the collar. The duct and collar quickly attach to the D385 by snapping over the four screw posts surrounding the process air exhaust (Fig. 1, P3).

### Reactivation in & out: 6” flex duct.

Both reactivation air streams use the same type of duct connections.

The 6” flex ducting connections on the D385 consist of a detachable 6” starting collar. Slide 6” flex ducting over the starting collar and zip-tie or duct tape in place. To remove the starting collar (and its attached ducting length) depress the snap button and rotate the duct collar 15° clockwise. After rotating pull the duct collar straight out from the cabinet. Flex duct and collar may be stored beneath top cover.

## 2.8 Storage and Transportation

The Phoenix D385 can be transported and stored in either upright or horizontal positions.

There is a storage compartment under the top cover of your dehumidifier. This compartment is large enough to store reactivation collars, power cords, filter (as used), as well as additional small items that you may require on your job site.

## 3 Maintenance

### 3.1 Air Filter Replacement

The Phoenix D385 is equipped with two pleated fabric air filters that must be checked regularly.

#### Process air stream filter:

This 16"x20"x2" filter is located in the top of your D385 underneath the top cover. The stock filter supplied carries a MERV-11 filtration efficiency rating. This filter prevents loading the desiccant wheel with foreign matter.

#### Reactivation air stream filter:

This 12"x12 x1" filter is located in the bottom of your D385. To change the reactivation air filter, lay the D385 down in a horizontal position. The filter access slot is located on the bottom of the machine (Fig. 4). Open retainment clip, remove old filter, and replace with fresh filter.

The stock filter supplied carries a MERV-7 filtration efficiency rating. This filtration prevents plugging the heater or loading the desiccant wheel with foreign matter.

Operating the unit with a dirty filter will reduce the dehumidifier's capacity and efficiency and may cause the heater coil to cut out on thermal overload.

The filter can generally be vacuumed clean several times before needing replacement. Replacement filters can be ordered from the factory or purchased locally if available.

**DO NOT** operate the unit without the filters or with less effective filters as the desiccant wheel inside the unit will become clogged and require disassembly to clean.

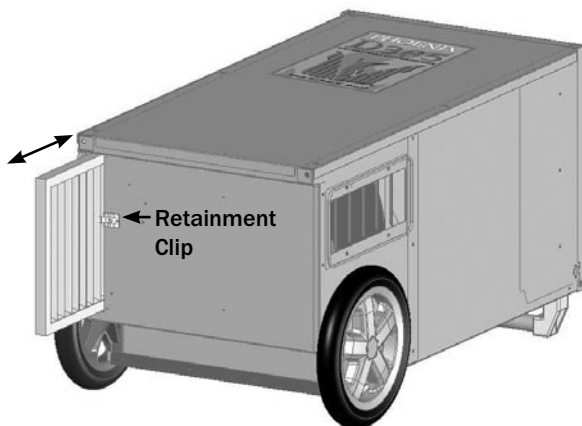


Figure 4: Reactivation Filter

## 4 Service

### ⚠ CAUTION

**CAUTION:** Servicing the Phoenix D385 with its high voltage circuitry presents a health hazard which could result in death, serious bodily injury, and/or property damage. Only qualified service people should service this unit.

**CAUTION-ELECTRICAL SHOCK HAZARD:** Electrical power must be present to perform some tests; these tests should be performed only by a qualified service person.

### 4.1 Warranty

A warranty certificate has been enclosed with this unit; read it before any repair is initiated. If a warranty repair is required, call the factory first at 1-800-533-7533 for warranty claim authorization and technical assistance.

## 5 Wiring Diagram

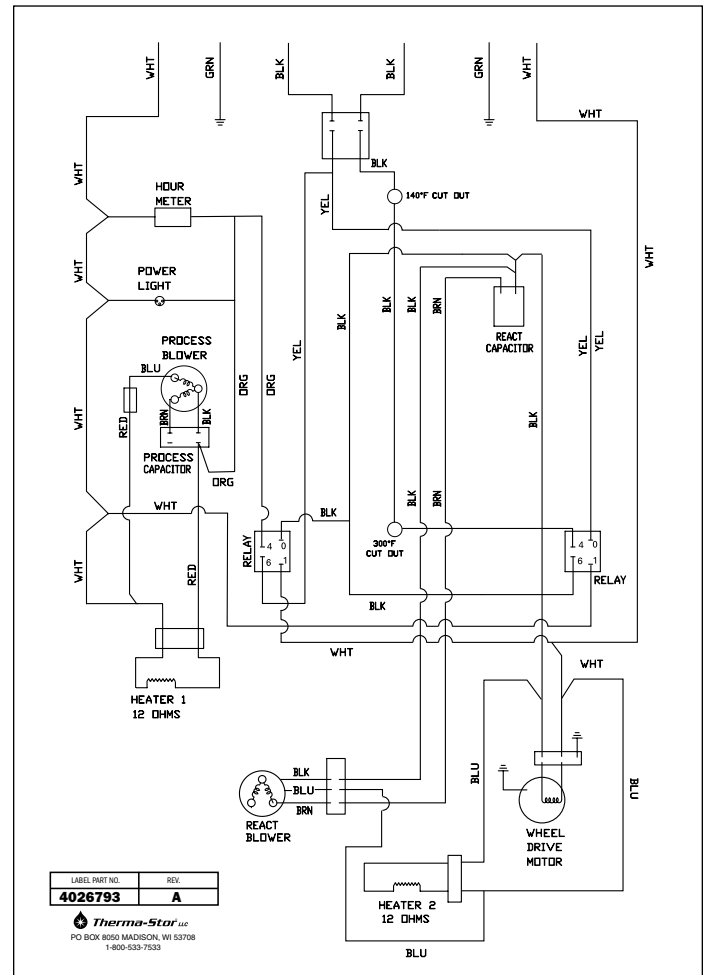
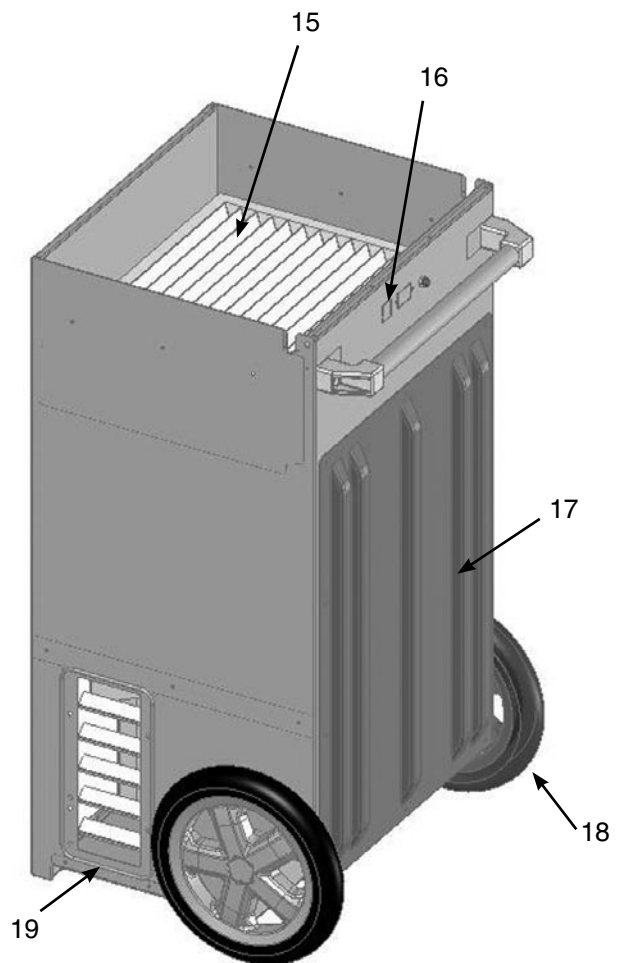
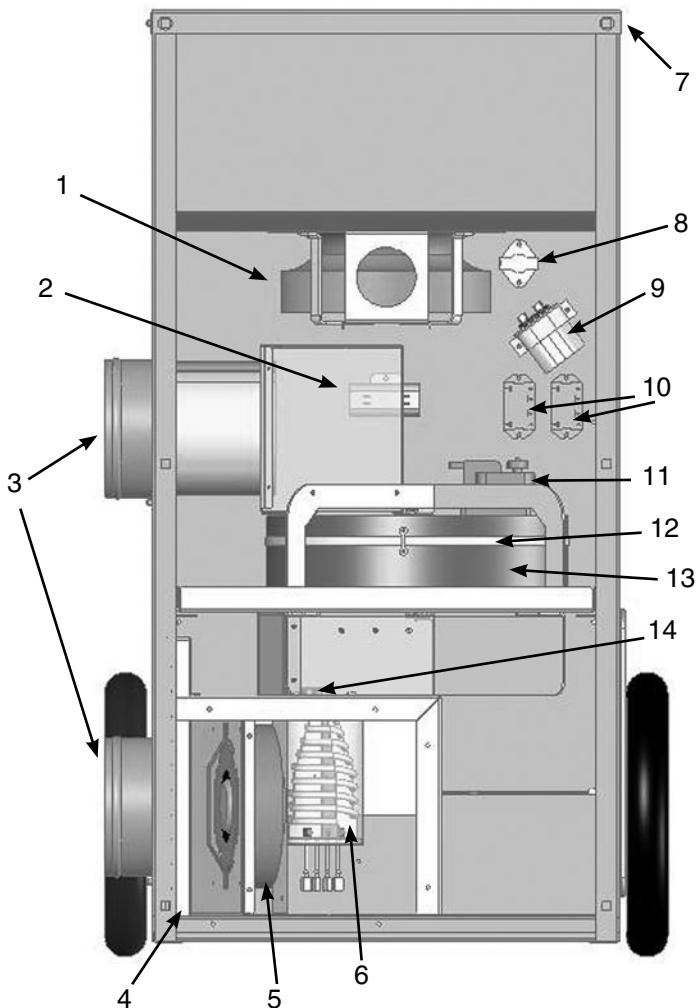


Figure 5: Electrical schematic of Phoenix D385

## 6 Service Parts List

Item	Part No.	Description
1	4025076	FAN, MOTORIZED IMPELLER, PROCESS AIR
2	4025224	CAPACITOR, RUN, 15 MFD, 370V, DRY, PROCESS AIR
3	4026784	COLLAR, SHORT 6" REACTIVATION DUCT (2 PLACES)
4	4026315	FILTER, AIR, 12 X 12 X 1, REACTIVATION AIR
5	4026798	FAN, MOTORIZED IMPELLER, REACTIVATION AIR
6	4026799	HEATER CORE, PHX D385
7	4026777	TOP COVER, DESICCANT 385
8	4926898	THERMAL OVERLOAD CUT-OUT SWITCH, PROCESS AIR
9	4026830	CAPACITOR, RUN, 8 MFD, DRY, REACTIVATION AIR
10	1970010	CONTROL RELAY SPST 110VAC COIL 25AMP CONTACTS
11	4026773	MOTOR, DESICCANT WHEEL
12	4026795	BELT, DRIVE, PHOENIX DESICCANT
13	4026772	WHEEL, DESICCANT
14	4026866	THERMAL OVERLOAD CUT-OUT SWITCH, REACTIVATION AIR
15	4021475	FILTER, AIR, 16 X 20 X 2, PROCESS AIR
16	4026194	SWITCH, ROCKER, DPST, ON-OFF
17	4025043	PLATE, SKID
18	4026304	WHEEL, PU 12.00, GRAY (2 PLACES)
19	4024078	COLLAR, DUCT, WIRE, 5.75 X 12.00

Item	Part No.	Description
Not Shown	4025078	CORD, 14/3. SJT, 115V W/PLUG 25' (2 PLACES)
Not Shown	4026922	GASKET AND BELT REPLACEMENT KIT



Specifications subject to change without notice.

## Phoenix D385 Dehumidifier Limited Warranty

**Warrantor:**

Therma-Stor LLC  
PO Box 8680  
Madison, WI 53708  
Telephone: 1-800-533-7533

**Who Is Covered:** This warranty extends only to the original end-user of the Phoenix D385 dehumidifier, and may not be assigned or transferred.

**One Year Warranty:** Therma-Stor LLC warrants that, for one (1) year the Phoenix D385 dehumidifier will operate free from any defects in materials and workmanship, or Therma-Stor LLC will, at its option, repair or replace the defective part(s), free of any charge.

**End-User Responsibilities:** Warranty service must be performed by a Servicer authorized by Therma-Stor LLC. If the end-user is unable to locate or obtain warranty service from an authorized Servicer, the end-user should call Therma-Stor LLC at the above number and ask for the Therma-Stor Service Department., which will then arrange for covered warranty service. Warranty service will be performed during normal working hours.

The end-user must present proof of purchase (lease) upon request, by use of the warranty card or other reasonable and reliable means. The end-user is responsible for normal care. This warranty does not cover any defect, malfunction, etc. resulting from misuse, abuse, lack of normal care, corrosion, freezing, tampering, modification, unauthorized or improper repair or installation, accident, acts of nature or any other cause beyond Therma-Stor LLC' reasonable control.

**Limitations and Exclusions:** If any Phoenix D385 Dehumidifier part is repaired or replaced, the new part shall be warranted for only the remainder of the original warranty period applicable thereto (but all warranty periods will be extended by the period of time, if any, that the Phoenix D385 Dehumidifier is out of service while awaiting covered warranty service).

UPON THE EXPIRATION OF THE WRITTEN WARRANTY APPLICABLE TO THE Phoenix D385 DEHUMIDIFIER OR ANY PART THEREOF, ALL OTHER WARRANTIES IMPLIED BY LAW, INCLUDING MERCHANTABILITY AND FITNESS FOR A PARTICULAR PURPOSE, SHALL ALSO EXPIRE. ALL WARRANTIES MADE BY THERMA-STOR LLC ARE SET FORTH HEREIN, AND NO CLAIM MAY BE MADE AGAINST THERMA-STOR LLC BASED ON ANY ORAL WARRANTY. IN NO EVENT SHALL THERMA-STOR LLC, IN CONNECTION WITH THE SALE, INSTALLATION, USE, REPAIR OR REPLACEMENT OF ANY Phoenix D385 DEHUMIDIFIER OR PART THEREOF BE LIABLE UNDER ANY LEGAL THEORY FOR ANY SPECIAL, INDIRECT OR CONSEQUENTIAL DAMAGES INCLUDING WITHOUT LIMITATION WATER DAMAGE (THE END-USER SHOULD TAKE PRECAUTIONS AGAINST SAME), LOST PROFITS, DELAY, OR LOSS OF USE OR DAMAGE TO ANY REAL OR PERSONAL PROPERTY.

Some states do not allow limitations on how long an implied warranty lasts, and some do not allow the exclusion or limitation of incidental or consequential damages, so one or both of these limitation may not apply to you.

**Legal Rights:** This warranty gives you specific legal rights, and you may also have other rights which vary from state to state.



## Free Manuals Download Website

<http://myh66.com>

<http://usermanuals.us>

<http://www.somanuals.com>

<http://www.4manuals.cc>

<http://www.manual-lib.com>

<http://www.404manual.com>

<http://www.luxmanual.com>

<http://aubethermostatmanual.com>

Golf course search by state

<http://golfingnear.com>

Email search by domain

<http://emailbydomain.com>

Auto manuals search

<http://auto.somanuals.com>

TV manuals search

<http://tv.somanuals.com>