

INSTALLER'S & OWNER'S MANUAL

HVAC INSTALLER: PLEASE LEAVE MANUAL FOR HOMEOWNER

Ultra·Aire 100V



Dehumidification

The highly efficient Ultra-Aire 100V dehumidifier utilizes refrigeration to cool the incoming air stream below its dew point. This cooled and drier air is used to pre-cool the incoming air stream resulting in a significant increase in overall efficiency. After the pre-cooling stage, the processed air is reheated by passing through the condenser coil. The heat removed by the evaporator coil is returned to the air stream, resulting in an overall temperature increase of the air leaving the unit.

The Ultra-Aire 100V is controlled by 24 volt remote wired controls. A variety of controls are available suitable to various applications.

Fresh Air Ventilation

Optional fresh outdoor air may be ducted to the unit via a six inch round duct. This provides fresh air to dilute pollutants and maintain high oxygen content in the air. The amount of fresh air ventilation can be regulated by a variety of dampers and controls.

Air Filtration

The UA-100V includes air filtration to improve indoor air quality. A MERV-11 media filter is standard. An optional MERV-14 deep pleated 95% media filter is available for optimum air filtration and to reduce potentially harmful airborne particles. If the optional filter is chosen, the standard filter operates as a prefilter.

Part No. 4022200

Serial No. _____



Driven by performance. Powered by design.™

P.O. Box 8680 Madison, WI 53708 • TOLL-FREE 1-800-533-7533 • www.thermastor.com • sales@thermastor.com

© 2007 Therma-Stor LLC • Manual P/N TS-200, 8/07

TABLE OF CONTENTS

Table of Contents

Safety Precautions.....	3	5.3C On/Off Setting	13
1. Intended Application	4	5.3D Setting Clock Time	13
2. Specifications	4	5.3E Setting Relative Humidity Setpoint.....	13
3. Installation	4	5.3F Fan Setting & Operation.....	14
3.1 Location	4	5.3G Damper Operation and Setting (Ventilation)	14
3.2 Electrical Requirements.....	4	5.3H Intermittent/Programmed Ventilation	15
3.3 Condensate Removal.....	4	5.3I Temperature Cutout Programming.....	16
3.4 Ducting.....	4	5.3J Default Settings	16
3.4A Installing Duct Collars.....	4	6. Maintenance.....	17
3.4B Ducting for Dehumidification	4	6.1 Standard Air Filter.....	17
3.4C Ducting for Fresh Air.....	5	6.2 High Efficiency Air Filter.....	17
3.4D Installation in a basement	5	6.3 Fan Oiling	17
3.4E Installation in a attic	6	7. Service	17
3.4F Installation with (2) HVAC systems	6	7.1 Warranty	17
3.4G Installation without an HVAC system.....	6	7.2 Technical description.....	17
3.5 Quiet Installation.....	6	7.3 Troubleshooting	17
4. Controls	6	7.4 Refrigerant Charging	18
4.1 Humidity/Fan Control Panel.....	6	7.5 Fan Replacement.....	18
4.2 Ventilation Timer & Humidity Control Panel	7	7.6 Compressor/Capacitor Replacement.....	18
4.3 Humidity Control Adjustment	7	7.6A Checking Compressor Motor Circuits.....	18
4.4 Fan/Filter Switch.....	7	7.6B Replacing Burned Out Compressor	19
4.5 Ventilation Timer.....	7	7.6C Replacing Compressor-Nonburn Out.....	19
4.6 High Efficiency Air Filter	8	7.7 Remote Controls.....	19
Control Package Diagram Sheet	9	7.7A Humidity Control.....	19
5. DEH 3000 Digital Control	10	7.7B Ventilation Timer.....	20
5.1. Specifications.....	10	7.8 Defrost Thermostat.....	20
5.2. Installation	10	7.9 Electric Ventilation Damper.....	20
5.2A Install Instructions	10	Electrical Schematic	21
5.2B Wiring.....	10	Pictorial Electrical Diagram	22
5.2C Auxillary Relay Operation.....	11	Service Parts List.....	23
5.2D Dehumidifier Lockout.....	11	Optional Parts List.....	24
5.2E Location	12	External Insulation Kit	25
5.2F Testing.....	12	Control Panel Installation	26
5.3. Operation.....	13	Warranty.....	27
5.3A Display	13		
5.3B Setting	13		

SAFETY PRECAUTIONS

Safety Precautions

Read the installation, operation and maintenance instructions carefully before installing and operating this device. Proper adherence to these instructions is essential to obtain maximum benefit from your Ultra-Aire indoor air quality system.

READ AND SAVE THESE INSTRUCTIONS

- The device is designed to be installed **INDOORS IN A SPACE THAT IS PROTECTED FROM RAIN AND FLOODING.**
- Install the unit with space to access the front panel for maintenance and service. **DO NOT INSTALL UNIT WITH THE FRONT PANEL INACCESSIBLE.**
- Avoid directing the discharge air at people, or over the water in pool areas.
- If used near a pool or spa; be certain there is **NO** chance the unit could fall into the water, splashed and that it is plugged into a **GFCI GROUND FAULT CIRCUIT INTERRUPT OUTLET.**
- **DO NOT** use the device as a bench or table.
- **DO NOT** place the device directly on structural members.
- A drain pan **MUST** be placed under the unit if installed above a living area or above an area where water leakage could cause damage.

1. Intended Application for Ultra-Aire 100V

For the ideal installation, draw air from the central part of the home and return it to isolated areas of the home like the bedrooms, den, utility room, or family room. The ductwork of the existing heating system can be used to supply air to the home.

2. Specifications

Model:	Ultra-Aire Indoor Air Quality System
Electrical:	110-120 VAC, 6.8 Amps, grounded
Capacity:	100 pints/day @ 80°F, 60% RH
Operating Temp. Range:	56°F min., 100°F max.
Air Flow:	255 CFM without external ducting 212 CFM @ .20 IWG external static 170 CFM @ .40 IWG external static
Refrigerant Charge:	1 lbs., 14 oz. R-22
Duct connections:	Round 8" & 6" inlets, 8" outlet
Filter Size:	Pleated cloth: 2" X 16" X 20"
High Efficiency:	4" X 16" X 20"
Size (w/o duct collars):	21" long x 17" wide x 42" high
Weight:	119 lbs.

3. Installation

3.1 Location

The Ultra-Aire should be located near the existing air handling system to minimize the required ductwork for connecting the Ultra-Aire to the existing air handling system. The controls for the Ultra-Aire are remote from the unit and must be located in the space that is to be conditioned. The controls are low voltage (24 volt) and should be connected to the Ultra-Aire with low voltage thermostat cable.

If fresh air ventilation is desired, thought should be given to the location for the fresh air ducting. A 6" round duct will have to be installed on the Ultra-Aire and run to the outside of the structure to bring in fresh air. Use an 8" insulated round duct for lengths of more than 25' or if more than 100 CFM is needed.

3.2 Electrical Requirements

The Ultra-Aire plugs into a common grounded outlet on a 15 Amp circuit. It draws between 6 and 7 Amps under normal operating conditions. If used in a wet area (pool, spa room, or basement prone to flooding), a ground fault interrupter protected circuit is required.

The installer must supply the wiring between the Ultra-Aire and the control panel. Be sure to safely route the control wires to prevent damage during installation. Be careful not to cross the wires when connecting the Ultra-Aire and the remote control panel or damage to the transformer may result.

The remote controls of the Ultra-Aire are powered by a low voltage circuit (24 Vac) and must NEVER contact or be connected to a high voltage circuit. The control wires leaving the Ultra-Aire and the remote control panels are color coded to prevent confusion. Some of

the control wires leaving the Ultra-Aire may not be used with certain control panels and should be left safely disconnected with wire nuts taped onto the stripped ends. Be sure to consult the electrical schematic in this manual or on the front panel of the Ultra-Aire before making the control connections.

WARNING: Do not allow the yellow lead from the Ultra-Aire to contact the red lead or orange lead from the Ultra-Aire or damage to the transformer will result.

NOTE: Reset the ventilation timer before attempting to program after initial installation. The timer may not .. operate correctly until it is reset.

3.3 Condensate Removal

Condensate drains by gravity via the clear hose extending from the unit. Route the hose to a floor drain. Use care to keep the hose as flat to the floor as possible; excessive humps will prevent proper drainage. We do not call for a trap since there is an internal trap with this unit. If the Ultra-Aire is located too far from a floor drain for the attached hose to reach, inexpensive 1/2" PVC pipe can be used to extend it. It is commonly available in 10' lengths from building supply, plumbing and hardware stores. It will slide tightly inside the end of the drain hose. If more than one length of pipe is required, they can be joined with a short piece cut from the end of the drain hose.

An optional condensate pump may be installed if a lift is required to dispose of the condensate. The condensate pump kit can be ordered direct from the factory. See item 27 on page 21.

3.4 Ducting

3.4A Installing Duct Collars

The Ultra-Aire is equipped with 8" and 6" round inlet collars and an 8" round white exhaust collar. The 8" and 6" round inlet collars are designed with tabs that fold under the top of the Ultra-Aire. The 8" round white exhaust collar is attached to the Ultra-Aire by (4) screws.

To install the inlet collars: Insert the tabs of the collar into the hole in the top of the Ultra-Aire and fold the tabs up to attach to the Ultra-Aire.

To install the exhaust collar: Bend the (4) tabs toward the inside of the collar 90°. Attach the collar to the Ultra-Aire cabinet using 1/2" long #8 sheet metal screws. DO NOT use screws longer than 1/2" to attach this collar or damage to the refrigeration system may result.

3.4B Ducting for Dehumidification

For the ideal installation, draw air from the central part of the home and return it to the isolated areas of the home like the bedrooms, den, utility room, or family room. The ductwork of the existing heating system can be used to supply air to the home. If the existing supply goes to isolated areas of the home, discharge the supply of the Ultra-Aire into the supply of the existing heating system. If the existing heating system incorporates a central supply, installation of

FOR HVAC INSTALLER ONLY

a separate supply duct from the Ultra-Aire to each isolated area is recommended. DO NOT draw air directly from the kitchen, laundry, or basement. All flexible ducting connected to the Ultra-Aire should be UL listed.

The inlet of the Ultra-Aire is the 8" diameter hole on top of the unit. An 8" round collar is supplied with the unit to attach to round duct. The duct may be permanently attached to the collar. A 6" round collar is provided with the unit to attach to the 6" hole in the top. The 6" collar should be capped if fresh make-up air is not desired. If fresh make-up air is desired see section 3.4C.

The outlet of the Ultra-Aire is located on the side of the unit. A second 8" round collar is supplied with the unit and can be attached using the screws provided and the pre-punched holes in the cabinet side.

A length of 10 feet or more of acoustical flex ducting on the outlet of the Ultra-Aire will reduce air noise from the blower. A length of flexible ducting on all Ultra-Aire duct connections is recommended to reduce noise and vibration transmitted to rigid ductwork in the structure.

Ducting the Ultra-Aire as mentioned in sections 3.4A-3.4G requires consideration of the following points:

Duct Sizing: For total duct lengths up to 25', use a minimum 8" diameter round or equivalent rectangular. For longer lengths, use a minimum 10" diameter or equivalent. Grills or diffusers on the duct ends must not excessively restrict air flow.

Isolated Areas: Effective dehumidification may require that ducting be branched to isolated, stagnant areas. Use 6" or larger diameter branch ducting to each of two or three areas; use 4" or larger to each of four or more areas.

3.4C Ducting for Fresh Air

Fresh air can be brought into the structure by connecting a duct from outside to the 6" Ultra-Aire inlet and by turning on the fan switch or activating the humidity control on units with the humidity control panel. Activate the ventilating & humidity control panel to bring in fresh air. Advantages of this form of ventilation include:

1. Outside air is filtered before entering the building.
2. Outside air will be dehumidified before entering if the Ultra-Aire is running.
3. Drawing air from outside and blowing inside aids in slightly pressurizing the structure. This helps prevent unfiltered and undehumidified air from entering elsewhere. It also reduces the potential for carcinogenic radon gas to enter and provides makeup air for open combustion and exhaust devices like the clothes drier, fireplace, and water heater.
4. The need for an alternate ventilation device may be eliminated.

An insulated 6" diameter duct is generally sufficient to provide up

to 125 CFM of outside air. Large quantities of outside air will impact Ultra-Aire performance positively or negatively, depending upon the difference between inside and outside air conditions. Consult the factory by calling 1-800-533-7533 for recommendations regarding the use of higher flows with your specific application.

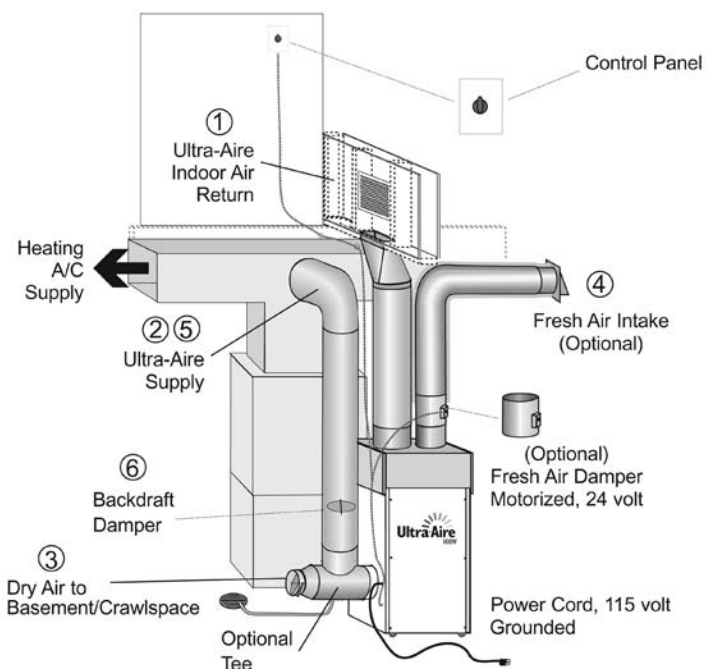
The outside air duct should be connected to the 6" round collar on top of the unit. The 6" round collar includes a manual damper. Adjust the manual damper to provide the desired amount of fresh air for ventilation. The amount of fresh air should be based on the size and occupancy of the residence. If you are unsure of your ventilation air requirements, consult the factory by calling 1-800-533-7533 for assistance.

3.4D Installation in a Basement or Crawspace with an Existing Forced Air HVAC System.

If the structure in which the Ultra-Aire is to be installed has an existing forced air HVAC system, utilize the HVAC system to make the Ultra-Aire installation easier.

If the existing system has multiple returns, select one to disconnect from the existing forced air system and use it for the dedicated Ultra-Aire return. Always select a return from a central location in the structure in an area that is always open to the rest of the structure. Do not use a return from a room that may have its door closed much of the time.

Basement Installation: Locate a separate return for the Ultra-Aire in a central area of the structure. Duct the supply of the Ultra-Aire to a 8" x 8" x 8" tee/damper that is 30% open to the basement. Duct the other side of the tee to the air return of the existing HVAC system. If the existing HVAC system has a central return, duct the other side of the tee to the air supply of the existing HVAC system.



FOR HVAC INSTALLER ONLY

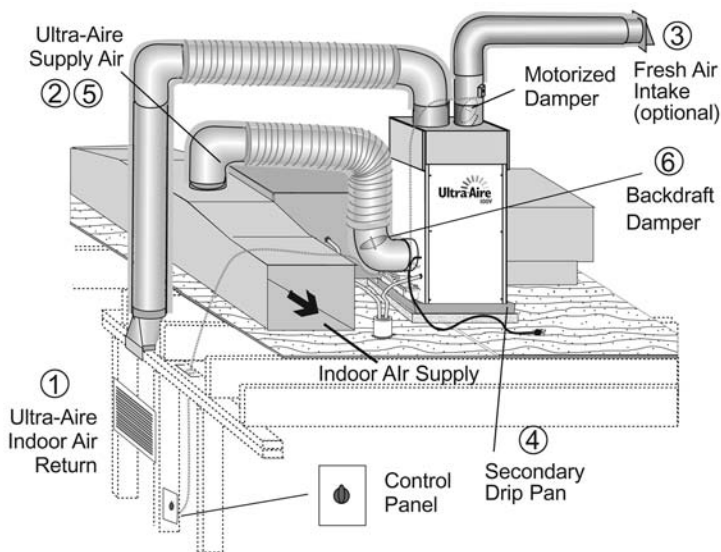
Connect a duct from outside to the 6" collar of the Ultra-Aire if you wish to provide fresh make-up air.

Crawlspace Installation: Locate a separate return for the Ultra-Aire in a central area of the structure. Duct the supply of the Ultra-Aire to a 8" x 8" x 8" tee/damper that is 30% open to the crawlspace. Duct the other side of the tee to the air return of the existing HVAC system. If the existing HVAC system has a central return, duct the other side of the tee to the air supply of the existing HVAC system. Connect a duct from outside to the 6" collar of the Ultra-Aire if you wish to provide fresh make-up air.

3.4E Installation in an Attic with an Existing Forced Air HVAC System

ALWAYS install a catch pan for condensate under the Ultra-Aire in an attic or condensate may drip down on the ceiling of the living space below.

Locate a separate return for the Ultra-Aire in a central area of the structure. Duct the supply of the Ultra-Aire to the air supply of the



existing HVAC system. If the existing HVAC system has a central return, duct the supply of the Ultra-Aire to the air supply of the existing HVAC system. Connect a duct from outside to the 6" collar of the Ultra-Aire if you wish to provide fresh make-up air.

3.4F Installation in a Structure with Two Forced Air HVAC Systems

Attach the Ultra-Aire return to a independent return from the upper level. Attach the Ultra-Aire supply to the supply of the basement HVAC system. This will promote circulation of air through the whole structure from the upper level to the lower level through the Ultra-Aire. If the Ultra-Aire is not connected to both HVAC systems, it will not control the humidity and ventilation of the entire structure. Connect a duct from outside to the 6" collar of the Ultra-Aire if you wish to provide fresh make-up air.

3.4G Installation in a Structure with No Existing Forced Air HVAC Systems

When installing the Ultra-Aire in a structure that does not have a forced air HVAC system, a single return for the Ultra-Aire should be installed in central open area of the structure. **DO NOT** locate the return in a bathroom or a kitchen. The supply of the Ultra-Aire should be located in the remote areas of the structure (such as bedrooms, den, etc.). By ducting this way the air inside the structure will circulate through the Ultra-Aire to be filtered and dehumidified. Connect a duct from outside to the 6" collar of the Ultra-Aire if you wish to provide fresh make-up air.

3.5 Quiet Installation

Loosen the compressor mounting bolts from the base of the unit. Do not remove the bolts, but loosen them so the compressor mounting grommets are not compressed. These bolts are tightened at the factory to prevent damage during shipping. Loosening them will reduce the amount of compressor vibration. Make sure none of the compressor tubes are pressed against the cabinet or front panel.

A length of 10 feet or more of acoustical flex ducting on the outlet of the Ultra-Aire will reduce air noise from the blower. A length of flexible ducting on all Ultra-Aire duct connections is recommended to reduce noise and vibration transmitted to rigid ductwork in the structure.

4. Controls

The Ultra-Aire can be equipped with various accessories to enhance its operation. A remote control panel must be used with the Ultra-Aire. There are two remote control panels from which to choose. The humidity/fan control panel is used to control humidity and the fan. The ventilation timer and humidity control panel is used to control ventilation, humidity and the fan.

4.1 Humidity/Fan Control Panel

See Figure 1: The humidity/fan control panel automatically controls the humidity of the living space. The humidity/fan control panel contains an adjustable humidity control and a fan switch. This panel should be mounted in a central area of the structure where it can accurately sense the humidity of the air in the living space. The panel has small perforations that must remain open to the air within the living space for accurate humidity sensing.

The humidity/fan control panel can be used in conjunction with the optional fresh air damper. When used with the optional fresh air damper, the fan/filter switch will act as a fresh air ventilation control. When the switch is ON (in this configuration), the fan will run, the fresh air damper will open, and fresh air will be filtered and brought into the structure. When the switch is OFF, the fresh air damper will close and the fan will operate only when the humidity control calls for dehumidification.

4.2 Ventilation Timer and Humidity Control Panel

See Figure 2: The ventilation timer and humidity control panel automatically controls both the ventilation and the humidity of the living space. The ventilation timer and humidity control panel contains an adjustable humidity control, a fan switch, and a ventilation timer. This panel will control the humidity and allow

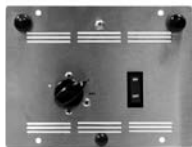


Figure 1:
Humidity/Fan Control Panel
Part No. 4024155



Figure 2: Ventilation Timer
and Humidity Control Panel
Part No. 4024125

programmed ventilation of the living space. This panel works in conjunction with the optional fresh air damper to provide ventilation.

This panel should be mounted in a central area of the structure where it can accurately sense the humidity of the air in the living space. The panel has small slots that must remain open to the air within the living space for accurate humidity sensing.

4.3 Humidity Control Adjustment

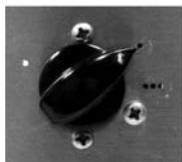


Figure 3
Humidity Control
Adjustment Knob

Set the humidity control to the desired humidity level for the home. The dehumidifier will run continuously until the relative humidity (RH) is reduced to the humidity control dial setting. Setting the humidity control to lower RH levels will NOT increase the unit's dehumidification rate; the unit will simply run longer to reduce the area's RH to the setting. The Ultra-Aire unit (and refrigerant

based dehumidifiers in general) will reduce a warm space's RH to a lower level than that of a cool space. It is therefore pointless to set the humidity control to excessively low levels in cool rooms; doing so will result in long periods of ineffective dehumidifier run time.

Quality humidity meters are available from the factory and are recommended to accurately monitor humidity levels.

4.4 Fan/Filter Switch



Figure 4
Fan/Filter Switch

Turning ON the fan/filter switch will cause the central conditioning unit's internal fan to run continuously, whether the central conditioning unit is dehumidifying or not. This function is desirable if the central conditioning unit is used for air circulation and filtration.

When the switch is ON, air will be constantly filtered through the central conditioning unit and circulated throughout the house. When the switch is OFF, the fan will operate only when the humidity control calls for

dehumidification or when the ventilation timer calls for ventilation.

4.5 Ventilation Timer

The ventilation timer controls the fan and the motorized fresh air damper. When the ventilation timer is activated, the central conditioning unit will circulate the indoor air, and bring in fresh air from outside. The ventilation timer should be set for the required ventilation of the residence. The home should be ventilated with fresh air whenever it is occupied.

The ventilation timer is an electronic timer that displays the current time. This timer has a battery backup, so it will not require resetting after a power outage. The one minute time increments of the ventilation timer allow you to program the ventilation of your home to fit your schedule.

The ventilation timer has six programs with each program having one "on" and one "off" event. A program allows the user to turn the ventilation on at a certain day and time, then it allows them to turn the ventilation off at a certain day and time. Each of these programs can be repeated daily or weekly or during a specified block of days. All six of the programs operate independently of each other.

If the timer fails to operate or operates erratically, check that the control panel receives 24Vac from the Ultra-Aire. If 24Vac is present at the control panel, reset the timer by pressing the reset button at the bottom center of the timer face. The reset button is the small recessed button with an R beneath it located below the 1...7 and h buttons. Press the reset button in until the display disappears. Release the reset button. The display will reappear as 00:00. Resetting the timer will clear the time and all program settings. After resetting the timer, follow the instructions below to set the correct time and ventilation programs.

The following instructions explain how to set the ventilation timer. First, set the correct time on the timer by sliding the switch in the upper right hand corner of the timer to the clock symbol + and pressing the 1...7 (DAY), h (HOUR), and m (MINUTE) buttons. Remember that this timer operates on a 24-hour (military time) clock.

Next, set the ventilation time schedule. Slide the switch in the upper right hand corner to the program symbol P "ON" will appear to the right of the time and the number "1" will appear in the lower right hand corner of the display. The "1" and "ON" signify the turn on time for the first program. Press the 1...7 button to choose the days of the week for this program. You can choose Mon-Sun Mon-Fri, Sat-Sun, or any single day of the week. The days chosen are shown along the top of the display on the ventilation timer. Next press the h button to set the hour for the start of the ventilation period. Remember that this timer operates on a 24-hour clock. Then press the m button to set the minutes past the hour to start the ventilation. Now, with the ventilation start time set, press the I/O button. The word "OFF" should appear to the right of the time

and the number "1" should remain in the lower right hand corner of the display. The "1" and "OFF" signify the turn off time for the first program. Set the turn off time using the 1...7, h, and m buttons in the same way as described above and continue on to the second through sixth programs. When setting the ventilation programs, you can return to the current time display by sliding the switch in the upper right corner of the timer to RUN. The slide switch in the upper right must be set to RUN for the timer to operate with the scheduled programs.

The slide switch in the upper left of the timer is used to choose between automatic and manual operation of the timer relay. When the slide switch in the upper left of the timer is set to AUTO mode, the central conditioning unit will ventilate when the scheduled programs call for ventilation. When the slide switch in the upper left of the timer is set to manual (set to hand symbol on the right), the operation of the timer is controlled by the I/O button only. Pressing the I/O button will switch the ventilation timer between ON (detent) and OFF (detent). As you press the I/O button, "ON" or "OFF" will be displayed to the right of the time. The "ON" or "OFF" to the right of the time will indicate if the ventilation timer is on or off. The I/O button will manually override scheduled programs if the timer is in AUTO mode.

4.6 High Efficiency Air filter

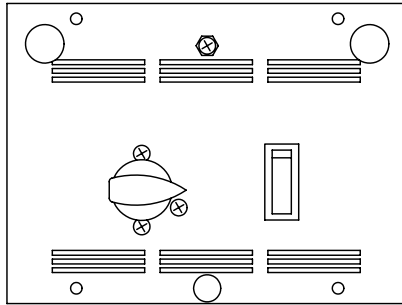
A high efficiency air filter is available for the Ultra-Aire . This filter is rated 90%-95% efficient by ASHRAE Dust Spot Test Method 52-76. This filter is much more efficient than the standard air filter and is able to catch much smaller particles that can aggravate allergies.

The high efficiency air filter is 4 inches thick and should be installed in the filter enclosure directly below the standard air filter. The standard air filter will act as a pre-filter for the high efficiency air filter and will prolong the life of the high efficiency air filter.

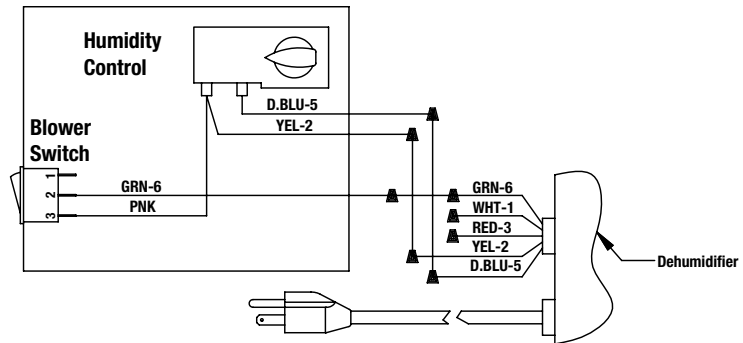
ATTENTION INSTALLER

WIRE THE UNIT AND CONTROL PACKAGE AS SHOWN IN THE DIAGRAM BELOW

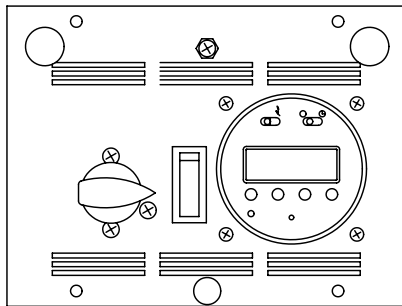
Humidity/Fan Control Panel



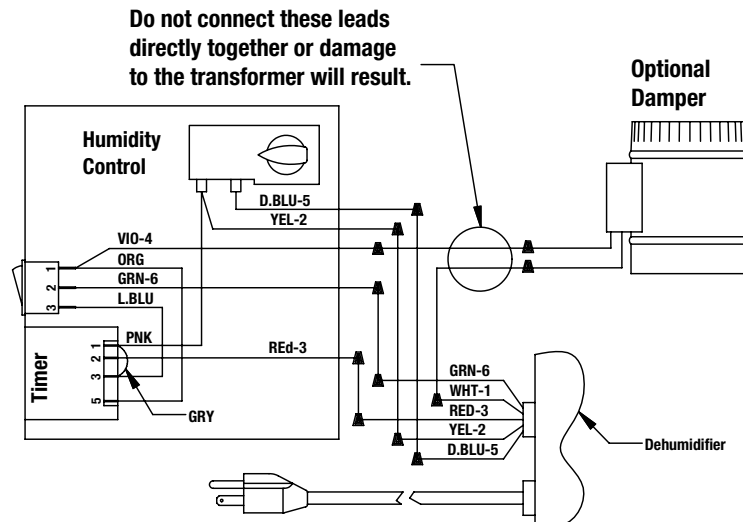
Control Part No. 4024155



Ventilation Timer/ Humidity Control Panel



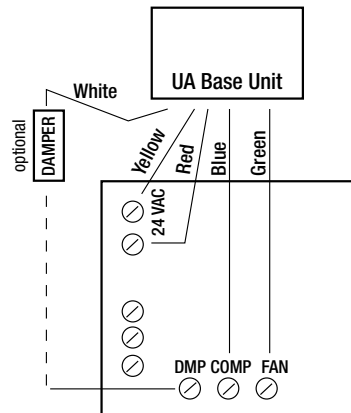
Control Part No. 4024125



DEH 3000 Digital Control



Control Part No. 4026570



WARNING: DO NOT allow the yellow lead from the unit to contact the red lead or the white lead from the unit or damage to the transformers will result. Do not direct connect the white lead on the unit to the violet lead on the ventilation control or damage to the transformer will result.

FOR HVAC INSTALLER ONLY

5. DEH 3000 Digital Control Installation Instructions



Control Part No. 4026570

5.1 Specifications

Part # (P/N)	4026570
Model:	DEH 3000 Digital Control
Electrical:	24 VAC
Humidity Range:	10 – 95% RH
Humidity Accuracy:	+/- 5%
Output:	3 Amps 24 VAC
Relay Capacity	5 Amps
Temp Range/Accuracy	2%
Size	4.95" wide x 4.19" high

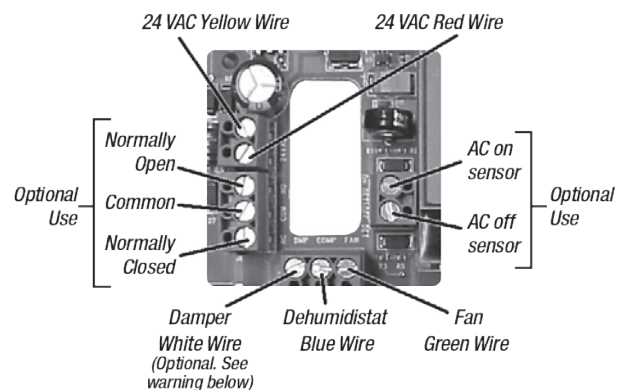
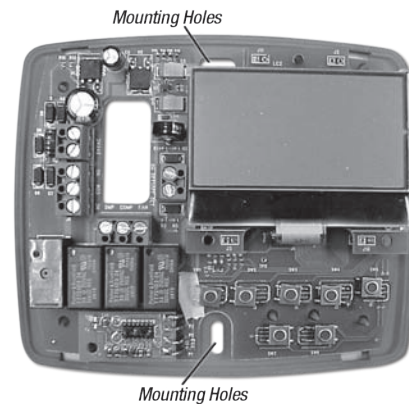
FOR HVAC INSTALLER ONLY:

5.2 Installation

This control panel must be installed in the conditioned space and in accordance with all applicable codes and standards. Follow the instructions below when installing and setting this control.

5.2A Install Instructions

1. Separate the front panel from the back panel by depressing the middle sections of the top and bottom of the front panel.
2. Line the back panel up against the wall or flat surface onto which it is to be mounted and drill in the appropriate mounting holes.
3. Insert the screws and tighten down so they extend approximately 1/8" from the back plate.
4. Align the back panel so that the control is level.
5. Tighten the screws to lock into position.
6. Make the electrical connections to the terminals on the back panel as shown in the wiring diagram.
7. Reassemble the front to the back panel. Connect at the top first, then at the bottom.
8. Test connections (see Section 2.6)



5.2B Wiring

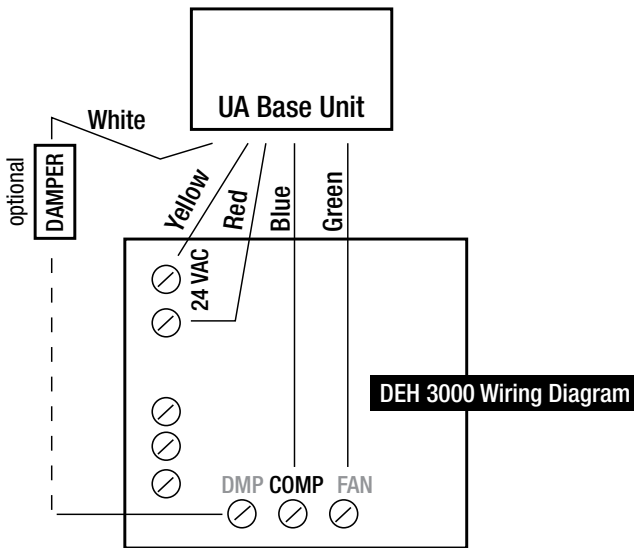
WARNING: DO NOT ALLOW THE YELLOW LEAD FROM THE ULTRA-AIRE TO CONTACT THE RED OR WHITE LEADS FROM THE ULTRA-AIRE OR DAMAGE TO THE TRANSFORMER WILL RESULT

WARNING: UNPLUG ULTRA-AIRE BASE UNIT BEFORE WIRING CONTROL.

The installer must supply the wiring between the Ultra-Aire and the control panel. Be sure to safely route the control wires to prevent damage during installation. Be careful not to cross the wires when connecting the Ultra-Aire and the remote control panel or damage to the transformer may result.

The remote control of the Ultra-Aire is powered by a low voltage circuit (24 VAC) and must **NEVER** contact or be connected to a high voltage circuit. Some of the control wires leaving the Ultra-Aire may not be used with certain control panels and should be left safely disconnected with wire nuts taped onto the stripped ends. Be sure to consult the electrical schematic in this manual or on the front panel of the Ultra-Aire before making the control connections.

FOR HVAC INSTALLER ONLY

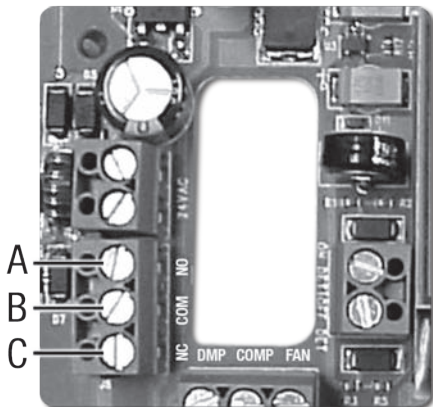


WARNING: TO AVOID TRANSFORMER DAMAGE ONLY CONNECT WHITE WIRE TO CONTROL IF DAMPER IS USED.

The white wire controls the optional motorized damper that can be installed into a fresh air duct. This provides the ability to control when fresh air is introduced into the building by using the ventilation timer function labeled “DMP” on the control (See Section 3.7). If the motorized damper is not used, **DO NOT CONNECT THE WHITE WIRE TO THE CONTROL OR DAMAGE TO THE TRANSFORMER MAY RESULT.** Simply leave the (DMP) terminal unused if the damper is not used, and cap off the white lead from the Ultra-Aire base unit.

5.2C Auxiliary relay operation

At times it may be desirable to coordinate fan operation of the central heating/cooling system with dehumidifier operation. The DEH 3000 features a relay that provides this ability. The relay terminals labeled NC, COM and NO operate according to the following chart:



Dehumidification

Operation	COM/NO	COM/NC
ON	CLOSED	OPEN
OFF	OPEN	CLOSED

Common uses (assuming standard thermostat wiring color schemes as noted):

Disengage A/C during dehumidification

Redirect the yellow thermostat wire to the NC terminal. Wire the yellow wire from the A/C to the COM (B) terminal.

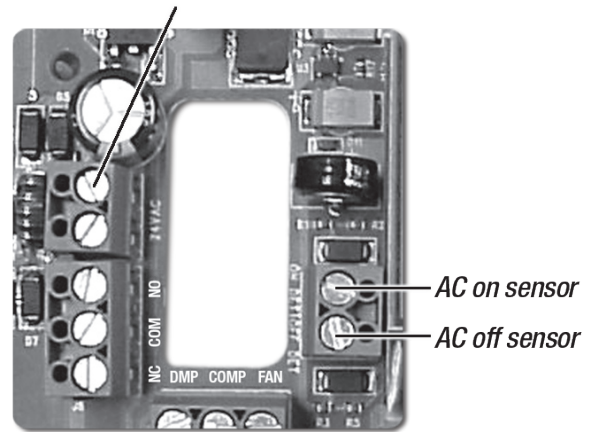
Engage A/C during dehumidification

Connect a wire from the “R” terminal on the the thermostat to the “com” terminal on the DEH 3000. Connect a wire from the “NO” terminal on the DEH 3000 to the “Y1” terminal on the thermostat.

5.2D Dehumidifier lockout/activation AC sensor

The control has the ability to activate the dehumidifier or deactivate the dehumidifier when the air conditioner is running.

24 VAC Yellow wire from dehumidifier



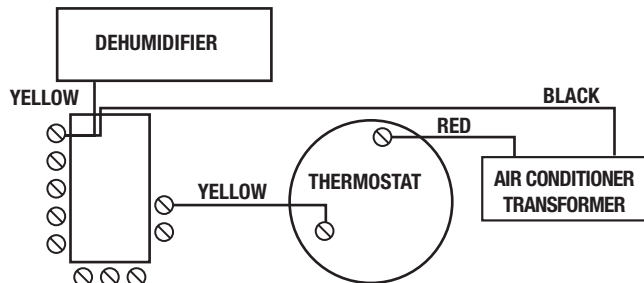
Standard wire colors for thermostats are as follows:

Description	Color	Terminal code
24VAC Return	Red	R
Call for Heat	White	W or W1
Force Fan On	Green	G
Compressor Call for Cooling	Yellow	Y or Y1

FOR HVAC INSTALLER ONLY

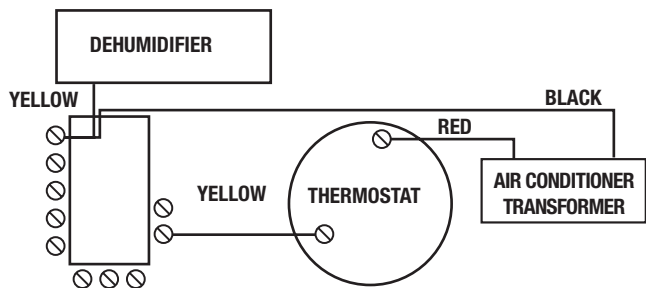
DEHUMIDIFIER DEACTIVATES WHEN THE AIR-CONDITIONER IS RUNNING

- The common wire on the thermostat transformer (black) needs to be wired with the yellow wire from the dehumidifier.
- The Red wire on the thermostat needs to be wired with the Yellow wire from the dehumidifier.
- The Yellow wire from the thermostat must be wired to the AC off sensor terminal.



DEHUMIDIFIER ACTIVATES WHEN THE AIR-CONDITIONER IS RUNNING

- The common wire on the thermostat transformer (black) needs to be wired with the yellow wire from the dehumidifier.
- The Red wire on the thermostat needs to be wired with the Yellow wire from the dehumidifier.
- The Yellow wire from the thermostat must be wired to the AC on sensor terminal.



5.2E Location

Install the remote control panel in a central area of the structure where it will sense the relative humidity of the structure accurately. Do not install the control panel where it may not accurately sense the relative humidity such as near HVAC supply registers, near exterior doors and windows, or near a pool or spa.

5.2F Testing

After wiring connections have been made, verify connections. First, make sure the white wire from the base unit is not wired directly to the DEH 3000 control. There must be a

motorized damper in series with these connections, or the white wire must not be connected to the control. Mis-wiring may result in transformer damage.

After connections have been verified, this short test will confirm proper wiring.

1. Install front cover of control; insert at top first, then bottom.
2. Plug in Ultra-Aire base unit. The control should power up.
3. Turn control on by pressing the ON/OFF button.
4. Engage dehumidification operation by adjusting RH setpoint below ambient conditions.
 - a. Press RH until RH setpoint is 20%.
 - b. Verify Ultra-Aire fan and compressor operation.
 - c. Verify ventilation damper (if used) is closed.
5. Verify fan only operation by disengaging dehumidification and operating fan:
 - a. Adjust RH setpoint above ambient conditions by pressing and holding RH until set point is 80%.
 - b. Press fan button, then press again to toggle fan to "ON" setting.
 - c. Release fan button, then press again to toggle fan to "ON" setting until "FAN" flashes on display.
 - d. Verify fan operation of Ultra-Aire. No compressor operation should be noted, and ventilation damper (if used) should be closed.
6. Verify ventilation damper operation (if installed) by disengaging from operation and engaging ventilating operation.
 - a. Press and hold fan button until "FAN" flashes on display.
 - b. Release "FAN" button, then press again to toggle fan operation off.
 - c. Press and hold "VENT" button until "VENT" flashes on display.
 - d. Release "VENT" button, then press again until "OPEN" is displayed.
 - e. Verify Ultra-Aire fan operation and ventilation damper is open, with no compressor operation.
7. If any functions are not working properly, verify wiring and connections. Meters may be used across terminals to verify voltage. If there is a concern about the base unit not operating properly, the leads exiting the base unit may be connected and operation verified according to the following matrix:

Wire connections	Operation
Yellow & Blue	Fan & Compressor
Yellow & Green	Fan Only

Do not test any other connections or transformer damage may result. Refer to the appropriate Ultra-Aire base unit manual for additional information.

FOR HVAC INSTALLER AND HOMEOWNER

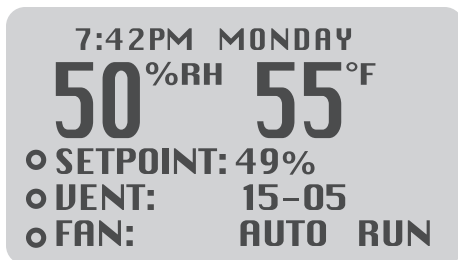
- Verify additional optional control operations such as fan interlock or lockout.
- Proceed to operation/setting section.

FOR INSTALLER & HOMEOWNER:

5.3 Operation

5.3A Display

- When there is power to the control, the control display will show the time, day, humidity, and temperature.
- When the control is turned on, the setpoint, fan status, auto/hold mode, and fresh air vent status is displayed.



- When a key is pressed the display will light.
- The “**TIME**” and “**DAY**” is displayed at the top of the screen.
- RH and Temperature are displayed in real time.
- An “**○**” before the set point, vent, or fan indicates the unit is operating the device.
- A flashing “**○**” before the set point, vent, or fan indicates the unit is in a delay prior to operating the device.

Note: Delay is an intentional factory installed time delay cycle that is meant to prevent short cycles, extending the life of the Ultra-Aire. If a delay is encountered, WAIT 10 MINUTES BEFORE EXPECTING NORMAL OPERATION.

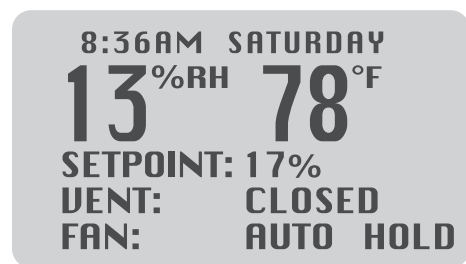
5.3B Setting

During the set-up process, if you make a mistake, simply continue. You can always go back to adjust the settings. If you leave the control alone and don't touch any buttons for 10 seconds, the control will remember any changes made and return to “home.”

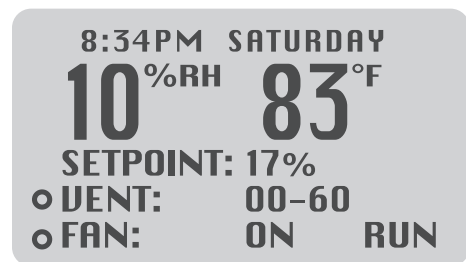
5.3C On/Off Setting

Press the “**ON/OFF**” button to turn the system on or off. When the system is on, the setpoint, fan status, auto/hold mode, and fresh air vent status is displayed. In the off mode, the control will show the time, day, humidity, and temperature. When the unit is shipped, it is in manual mode.

Hold Mode



Auto Mode



Off



5.3D Setting Clock Time

- Press and hold the “**CLOCK**” button. The hour display will flash. Release the button.
- Use the “**UP/DOWN RH**” buttons to change the value.
- Press the “**CLOCK**” button again and the minute display will flash. Use the RH buttons to change the value.
- Press the “**CLOCK**” button again and the “**AM/PM**” display will flash. Use the RH buttons to toggle the value.
- Press the “**CLOCK**” button again and the day display will flash. Use the “**RH**” buttons to change the value.

If the “**CLOCK**” button is pressed again or no button is pressed for 5 seconds, the display will automatically return to “home.”

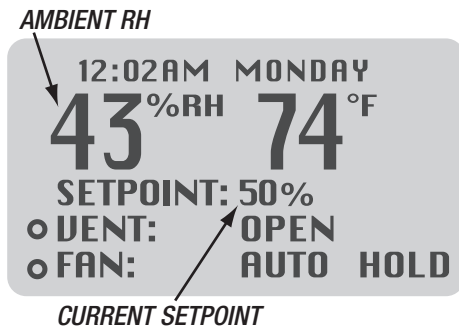
5.3E Setting Relative Humidity Setpoint

The relative humidity setpoint (the average RH that is maintained) operates the dehumidifier function of the Ultra-Aire. It has no effect on any other function of the unit. The control senses the ambient relative humidity of the space in which it is located.

FOR HVAC INSTALLER ONLY AND HOMEOWNER

Operation

The initial dead band setting (the range that the dehumidifier cycles on and off) is 3%. With a setpoint of 50%, the dehumidifier turns on when the reading reaches 53%. The dehumidifier continues to remove water from the air until the reading is 47%. The dehumidifier remains off until the reading is 53%.



If the setpoint is equal to or greater than the current ambient condition, the space does not need to be dried so the dehumidifier function will be off.

Example: Setpoint: 50% RH
Current condition: 45% RH = Dehumidifier off, the “○” indicator will not be shown.

If the setpoint is less than the ambient condition, the dehumidifier will be on and the red “DEHU” indicator will be lit. Since the space is more humid than the set point, the controller operates the dehumidifier to dry the space.

Example: Setpoint: 50% RH
Current condition: 55% RH = Dehumidifier on, the “○” indicator will be shown.

To set the relative humidity setpoint, press up or down “RH” buttons to adjust the relative humidity setpoint as desired. Therma-Stor recommends relative humidity levels not exceed 50% in the summer, and 25-35% in the winter if you live in a cold climate. It is not recommended that the humidity setpoint be set below 35%. In order to dry the home in the winter in a cold climate, use the ventilation function of the system rather than the dehumidifier function. Call the factory or refer to the owner’s manual for more information.

5.3F Fan Setting and Operation

Use the “FAN” button to adjust the fan operation. There are 2 choices for fan operation: “ON” or “AUTO.”

“ON” – indicates the fan of the Ultra-Aire will run continuously. This does not affect either the dehumidification or ventilation functions of the system. In other words, the system may or may not be ventilating or dehumidifying while the fan is running. Common reasons for operating the fan

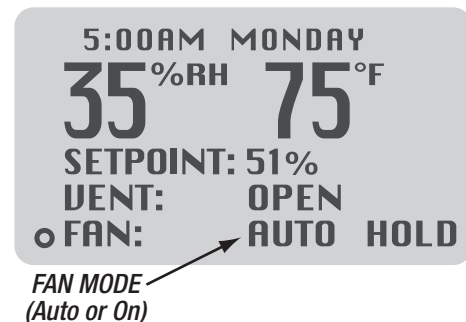
continuously are filtration and air recirculation.

“AUTO” – indicates the fan will run when the control calls for dehumidification or ventilation. If the control has not called for dehumidification for 3 hours, the control will automatically run the fan for 10 minutes. The fan must run a specific amount of time per day. This helps to keep the dehumidifier dry.

After dehumidification cycle, fan automatically shuts off for 10 minutes.

To set the operation:

1. Press and hold the “FAN” button. The current fan setting will begin to flash. Release the button.
2. Press the “FAN” button to toggle between the “ON” and “AUTO” modes.



An “○” indicator indicates the fan is operating. A flashing “○” indicator indicates the fan is in a wait mode and will operate shortly. No “○” indicates the fan is off.

With the fan in the “AUTO” mode, the fan will operate only when needed by other functions of the system. The fan will remain off unless the system is dehumidifying and/or ventilating. The fan always runs during dehumidification and ventilation and the fan “○” icon will be lit. To completely turn the system off, use the “ON/OFF” button as described earlier. To adjust the ventilation mode see Section 3.7.

5.3G Damper Operation and Setting (Ventilation) Manual/Hold Mode

Ultra-Aire units can be installed to incorporate optional ventilation. The damper setting controls the ventilation function of the system. It has no control over the dehumidification function, although the ventilation function can and should be used to dry the space depending on the climate and the outside air conditions. Refer to the appropriate Ultra-Aire manual for more information.

In order to provide ventilation, the damper must be open (“ON”) and the fan must be running. The controller takes care of these two functions automatically, so that whenever the damper is open (“ON”), the fan is running.

FOR HVAC INSTALLER ONLY AND HOMEOWNER

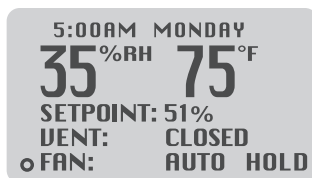
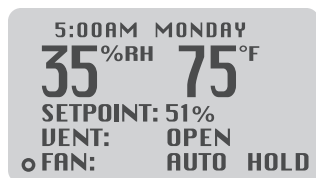
The ventilation indicator “**○**” will be displayed whenever the unit is ventilating. The fan operation indicator “**○**” will also be lit.

There are three damper operation modes, “**OPEN – HOLD**,” “**CLOSED – HOLD**” and “**PROGRAM**” (denoted by “**ON TIME**” – “**OFF TIME**.” Refer to section 3.8). With the damper in the “**OPEN – HOLD**” mode, the damper will be open and the fan of the system will be operating in order to introduce fresh air into the space. Use this mode for continuous fresh air ventilation. The fan is always on when the damper is open. When in “**CLOSED – HOLD**” mode, the damper will not open and the system will not ventilate.

When in the “program” mode, the control will operate the damper and fan (ventilate) according to the programmed ventilation schedule (See Section 3.8).

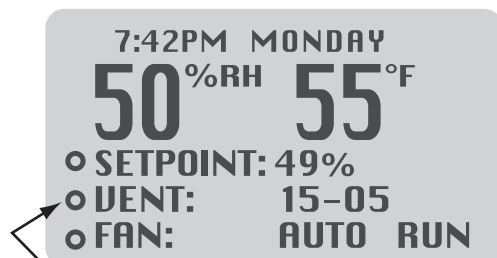
To set the damper operation:

1. Press the “**VENT**” button. The current setting will begin to flash on the display. Release the button.
2. Press the “**VENT**” button again to toggle between “**OPEN**,” “**CLOSED**” and “**PROGRAM**.”
3. Leave the control alone for 10 seconds to select the indicated damper mode and return to “**HOME**.”



5.3H Intermittent or Programmed Ventilation

This example shows the damper in “PROGRAM” mode (denoted by the schedule 15 minutes on, 5 minutes off).



The status of the damper is show here.

○ is open, blank is closed.

The system will operate the ventilation function according to the current ventilation program. The control needs to be programmed to turn the ventilation function on and off at the desired intervals. This is done by programming the ventilation timer.

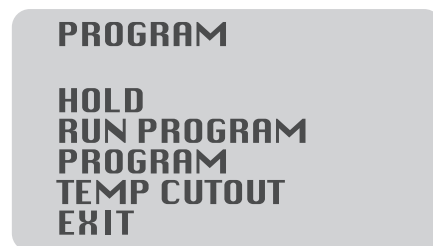
There are two programs available for ventilation Monday through Friday. There are also two programs for Saturday and Sunday. No other choice of days is available.

Each program has:

- A “**START**” time of day when the ventilation schedule begins.
- An “**OPEN FOR**” duration for the amount of time the damper stays open in 5 minute intervals, from 0 to 60.
- A “**CLOSED FOR**” duration which closes the vent for a specified time in 5 minute intervals from 0 to 60.

Example:

1. Press “**PROGRAM ENTER**” button. The following menu appears:



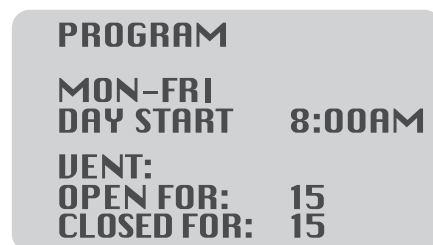
2. Using the up/down RH buttons, select “**PROGRAM**.” The following menu appears:



You can select from:

“**MON-FRI**” or “**SAT-SUN**” for separate weekday/weekend schedules or “**MON-SUN**” which gives you equal weekday/weekend schedules.

Menu when you select “MON-FRI” or “SAT-SUN”:



1. Enter the starting time for weekdays using the up/down RH keys to change the time.

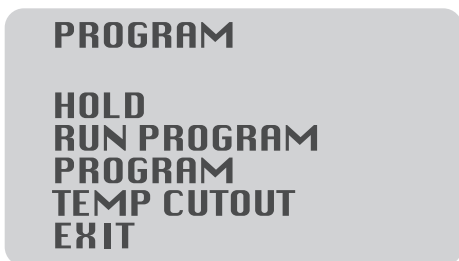
FOR HVAC INSTALLER AND HOMEOWNER

2. Press the program enter key to toggle to the “open for” setting. Using the up/down “RH” keys, change the duration that the damper will ventilate fresh air.
3. Press the program enter key to toggle to the “closed for” setting. Using the up/down “RH” keys, change the duration that the damper will remain closed between ventilation.

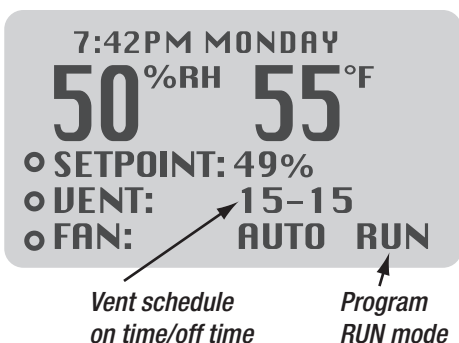
For the example given, starting at 8:00AM in the morning, the control will ventilate fresh air for 15 minutes then stop for 15 minutes. This schedule of 15 minutes open; 15 minutes closed will continue until the start time of the night schedule.

Press “PROGRAM ENTER” again to go to the “MON-FRI” night schedule. Repeat the steps listed above for this and the “SAT-SUN” day and night schedules.

When you return to the main program menu, use the up/down “RH” buttons to select “RUN PROGRAM.”



Press “PROGRAM ENTER” to run the program. The display will appear as follows:



5.3I Temperature Cutout Programming

Ultra-Aire units produce heat when dehumidifying. Depending on outside conditions, the ventilation function may introduce warm air into the space. Occasionally, the operation of the Ultra-Aire may produce enough heat to drive temperatures up. The temperature cutout feature disables all Ultra-Aire operations if temperatures reach cutout setpoint. In most installations this

feature will not need to be used. If temperature cutout is desired, program the setpoint by pressing the “PROGRAM ENTER” button. Press RH until “TEMP CUTOUT” is flashing. Use “RH” up or “RH” down to adjust setpoints.

5.3J Default Settings

Upon initial power-up or after prolonged power outages (more than 30 minutes), the DEH 3000 is programmed with the following defaults. A space is provided to make note of user inputs.

Setting	Default	My Setting
RH setpoint	50%	_____
Ventilation Operation	Closed	_____
Fan Setting	Auto	_____
Temp Cutout	80%	_____

If you have questions about the DEH 3000, please call Therma-Stor LLC at 1-800-533-7533 or email us at sales@thermastor.com

6. Maintenance

6.1 Standard Air Filter

The Ultra-Aire is equipped with a pleated cloth air filter. This filter should be checked monthly. Operating the unit with a dirty filter will reduce dehumidifier capacity and efficiency and may cause the compressor to cycle off and on unnecessarily on the defrost control.

To access the air filter, remove a filter access panel from one end of the Ultra-Aire. To remove the filter access panel from the Ultra-Aire, pull the panel straight up about 1/2" until the bolt heads near the bottom of the panel are centered in the larger opening of the keyhole slots. Next rock the bottom of the access panel away from the Ultra-Aire and lift the access panel straight up to remove the tab on top of the panel from the slot in the top of the Ultra-Aire. The filter should be readily visible and can be removed by pulling it straight out of the Ultra-Aire.

The pleated cloth filter can generally be vacuumed clean several times before needing replacement. Replacement filters can be ordered from the factory or purchased locally if available. DO NOT operate the unit without the standard filter or with a less effective filter than the standard filter; the heat exchange coils inside the unit could become clogged and require disassembly to clean.

6.2 High Efficiency Air Filter

An optional high efficiency pleated microglass paper filter is available for the Ultra-Aire. This filter is rated as 90%-95% efficient by the ASHRAE Dust Spot test method 52-76. The high efficiency pleated microglass paper filter should be used in conjunction with the standard filter, and placed directly beneath the standard filter.

This filter is able to remove allergy causing particles from the airstream. The high efficiency filter has a much larger surface area than the standard filter, thus the standard filter may need to be cleaned or replaced several times before the high efficiency filter requires replacement. Be careful not to damage the fabric media when handling the high efficiency pleated paper filter. Do not attempt to clean the high efficiency pleated paper filter. It should be replaced when it becomes restrictive (See Figure 7).

6.3 Fan Oiling

The fan motor is factory lubricated for many years of normal operation, however, periodic oiling will extend motor bearing life. To oil, remove the plastic cap from the two oiling tubes extending from the unit above the nameplate. Locate the oil ports on the motor as indicated in Figure 6. Add 3 to 5 drops of SAE 20 nondetergent oil to each port every 6 months. DO NOT use thinner oil or penetrating oil; fan life can actually be decreased by such oil.

7. Service

CAUTION: Servicing the Ultra-Aire with its high pressure refrigerant system and high voltage circuitry presents a health hazard which could result in death, serious bodily injury, and/or property damage. Only qualified service people should service this unit.

7.1 Warranty

A warranty certificate has been enclosed with this unit; read it before any repair is initiated. If a warranty repair is required, call the factory first at 1-800-533-7533 for warranty claim authorization and technical assistance.

7.2 Technical Description

The Ultra-Aire uses a refrigeration system similar to an air conditioner's to remove heat and moisture from incoming air, and add heat to the air that is discharged (See Figure 3).

Hot, high pressure refrigerant gas is routed from the compressor to the condenser coil (See Figure 3). The refrigerant is cooled and condensed by giving up its heat to the air that is about to be discharged from the unit. The refrigerant liquid then passes through a filter/drier and capillary tubing which cause the refrigerant pressure and temperature to drop. It next enters the evaporator coil where it absorbs heat from the incoming air and evaporates. The evaporator operates in a flooded condition, which means that all the evaporator tubes contain liquid refrigerant during normal operation. A flooded evaporator should maintain constant pressure and temperature across the entire coil, from inlet to outlet.

The mixture of gas and liquid refrigerant enter the accumulator after leaving the evaporator coil. The accumulator prevents any liquid refrigerant from reaching the compressor. The compressor evacuates the cool refrigerant gas from the accumulator and compresses it to a high pressure and temperature to repeat the process.

7.3 Troubleshooting

No dehumidification, neither fan nor compressor run with fan switch and ventilation timer OFF.

1. Unit unplugged or no power to outlet.
2. Humidity control set too high or defective (Sec. 3.3 & 5.7A)
3. Loose connection in internal or control wiring.
4. Defective Compressor relay.
5. Defective control transformer.

No dehumidification, compressor does not run but fan runs with fan switch and ventilation timer OFF and humidity control turned to ON.

1. Defective compressor run capacitor (Sec. 5.6).
2. Loose connection in compressor circuit (See Fig. 4).
3. Defective compressor overload (Sec. 5.6A).
4. Defective compressor (Sec. 5.6).
5. Defrost thermostat open (Sec. 5.8).

Fan runs with fan switch and ventilation timer OFF, but compressor cycles on & off.

1. Low ambient temperature and/or humidity causing unit to cycle through defrost mode.
2. Defective compressor overload (Sec. 5.6A).
3. Defective compressor (Sec. 5.6).
4. Defrost thermostat defective (Sec. 5.8).
5. Dirty air filter(s) or air flow restricted.

Fan does not run with fan switch in either position. Fan does not run with ventilation timer activated. Compressor runs briefly but cycles on & off with humidity control turned to ON.

1. Loose connection in fan circuit (See Fig. 4).
2. Obstruction prevents fan impeller rotation.
3. Defective fan.
4. Defective fan relay.

Fan runs with fan switch ON. Fan does not run with ventilation timer activated.

1. Defective ventilation timer.
2. Time not correct on ventilation timer.
3. Ventilation timer set to manual & switched OFF.

Evaporator coil frosted continuously, low dehumidifying capacity.

1. Defrost thermostat loose or defective (Sec. 5.8).
2. Low refrigerant charge
3. Dirty air filter(s) or air flow restricted.
4. Excessively restrictive ducting connected to unit.

Unit not providing ventilation. Ventilation timer not operating correctly.

1. If timer is not functioning correctly, reset timer and reprogram (Sec. 3.5)
2. Check control wire connections (check connections at damper also)
3. Defective fresh air damper (Sec. 5.9)

7.4 Refrigerant Charging

If the refrigerant charge is lost due to service or a leak, a new charge must be accurately weighed in. If any of the old charge is

left in the system, it must be recovered before weighing in the new charge. Refer to the unit nameplate for the correct charge weight and refrigerant type.

7.5 Fan Replacement

The centrifugal fan has a PSC motor and internal thermal overload protection. If defective, the complete assembly must be replaced.

1. Unplug the power cord.
2. If an outlet duct is connected to the unit, remove it.
3. Remove the cabinet side.
4. Remove the 3 screws attaching the electrical box located in front of the fan to the base.
5. Disconnect the fan leads. Black from the fan relay and white from the run capacitor.
6. Pull the oil tubes out of the fan motor.
7. Remove the nuts & bolts holding the fan outlet flange to the cabinet end and remove the fan.
8. Reassemble the new fan by reversing the above procedure.

7.6 Compressor/Capacitor Replacement

This compressor is equipped with a two terminal external overload and a run capacitor, but no start capacitor or relay (See Figure 4).

CAUTION-ELECTRICAL SHOCK HAZARD: Electrical power must be present to perform some tests. These tests should be performed by a qualified service person.

7.6A Checking Compressor Motor Circuits

Perform the following tests if the fan runs but the compressor does not with the fan switch OFF and the humidity control ON.

1. Unplug the unit, remove the cabinet side and the electrical connection cover on the compressor top.
2. Plug in the unit and turn the humidity control to ON. Check for 110 volts from compressor terminal R to overload terminal 3 using an AC voltmeter. If voltage is present, go to step 3. If no voltage, there may be a loose connection in the compressor circuit. Test each component for continuity. See the appropriate section if a defect is suspected.
3. Unplug the unit, then disconnect the red and yellow wires from compressor terminals R & S. Using an ohmmeter, check continuity between the points listed below.
4. Compressor terminals C and S:
No continuity indicates an open start winding. The compressor must be replaced. Normal start winding resistance is 3 to 7 ohms.
5. Compressor terminals C and R:
No continuity indicates an open run winding. The compressor must be replaced. Normal run winding resistance is .5 to 2 ohms.

6. Compressor terminal C and overload terminal 1:
No continuity indicates a defective overload lead.
7. Overload terminals 1 and 3:
If there is no continuity, the overload may be tripped. Wait 10 minutes and try again. If there is still no continuity, it is defective and must be replaced.
8. Compressor terminal C and compressor case: Continuity indicates a grounded motor. The compressor must be replaced.
9. Disconnect the wires from the run capacitor. Set the ohmmeter to the Rx1 scale. The capacitor is shorted and must be replaced if continuity exists across its terminals. If there is no needle movement with the meter set on the Rx100000 scale, the capacitor is open and must be replaced.
10. Reconnect the wires to the compressor and capacitor. Plug in and turn on the unit. If the compressor fails to start, replace the run capacitor.
11. If the unit still does not start, adding a hard-start kit (relay & capacitor) will provide greater starting torque. If this doesn't work, the compressor has an internal mechanical defect and must be replaced.

7.6B Replacing a Burned Out Compressor

The refrigerant and oil mixture in a compressor is chemically very stable under normal operating conditions. However, when an electrical short occurs in the compressor motor, the resulting high temperature arc causes a portion of the refrigerant oil mixture to break down into carbonaceous sludge, a very corrosive acid, and water. These contaminants must be carefully removed otherwise even small residues will attack replacement compressor motors and cause failures.

The following procedure is effective only if the system is monitored after replacing the compressor to insure that the clean up was complete.

1. This procedure assumes that the previously listed compressor motor circuit tests revealed a shorted or open winding. If so, cautiously smell the refrigerant from the compressor service port for the acid odor of a burn out. **WARNING:** The gas could be toxic and highly acidic. If no acid odor is present, skip down to the section on changing a non-burn out compressor.
2. Remove and properly dispose of the system charge. **DO NOT** vent the refrigerant indoors or allow it to contact your eyes or skin.
3. Remove the burned out compressor. Use rubber gloves if there is any possibility of contacting the oil or sludge.
4. To facilitate subsequent steps, determine the type of burn out that occurred. If the discharge line shows no evidence of sludge and the suction line is also clean or perhaps has some light carbon deposits, the burn out occurred while the compressor

was not rotating. Contaminants are therefore largely confined to the compressor housing. A single installation of liquid and suction line filter/driers will probably clean up the system. If sludge is evident in the discharge line, it will likely be found in the suction line. This indicates the compressor burned out while running. Sludge and acid have been pumped throughout the system. Several changes of the liquid and suction filter/driers will probably be necessary to cleanse the system.

5. Correct the system fault that caused the burn out. Consult the factory for advice.
6. Install the replacement compressor with a new capacitor and an oversized liquid line filter. In a running burn out, install an oversized suction line filter/drier between the accumulator and compressor. Thoroughly flush the accumulator with refrigerant to remove all trapped sludge and to prevent the oil hole from becoming plugged. A standing burn out does not require a suction line filter/drier.
7. Evacuate the system with a good vacuum pump and accurate vacuum gauge. Leave the pump on the system for at least an hour.
8. Operate the system for a short period of time, monitoring the suction pressure to determine that the suction filter is not becoming plugged. Replace the suction filter/drier if pressure drop occurs. If a severe running burn out has occurred, several filter/driers may have to be replaced to remove all of the acid and moisture.

NOTE: NEVER use the compressor to evacuate the system or any part of it.

7.6C Replacing a Compressor, Nonburn Out

Remove the refrigerant from the system. Replace the compressor and liquid line filter/drier. Charge the system to 50 PSIG and check for leaks. Remove the charge and weigh in the refrigerant quantity listed on the nameplate. Operate the system to verify performance.

7.7 Remote Controls

The Ultra-Aire is controlled by devices mounted on a panel that is remote from the unit. You may or may not have the devices listed below depending on the model of the remote control panel that you purchased. If the Ultra-Aire fails to operate as desired, always check the settings of the controls to insure that they are correct. Check that the controls are receiving 24Vac from the Ultra-Aire. Check the connections between the Ultra-Aire, the control panel, and the field control wiring.

7.7A Humidity Control

The humidity control is an adjustable switch that closes when the relative humidity of the air in which it is located rises to the dial set

point. It opens when the RH drops 4 to 6% below the set point. If the Ultra-Aire does not run, try turning the humidity control clockwise until it reaches the stop and the knob pointer points at "ON".

The Ultra-Aire is equipped with a automatic defrost mechanism. If the Ultra-Aire operates in conditions that develop frost on the evaporator, it will sense the frost build-up and automatically defrost the evaporator. The Ultra-Aire may not appear to be operating correctly during the defrost sequence, but once the defrost is completed, the Ultra-Aire will resume dehumidifying.

7.7B Programmable Ventilation Timer

The ventilation timer controls the fan and the motorized fresh air damper. When the ventilation timer is activated, the central conditioning unit will circulate the indoor air, and bring in fresh air from outside. The ventilation timer should be set for the required ventilation of the residence. The home should be ventilated with fresh air whenever it is occupied. If the Ultra-Aire fails to ventilate as expected, check that the time on the timer is correct. For the timer to carry out the program schedule, the slide switch in the upper left corner on the timer must be set to "AUTO". The slide switch in the upper right corner of the Ultra-Aire must be set to "RUN". Also check the programs on the timer to be sure that the timer is calling for ventilation at the correct times. If the timer fails to operate or operates erratically, reset the timer; see section 3.5 of this manual.

7.8 Defrost Thermostat

The defrost thermostat is attached to the refrigerant suction tube between the accumulator and the compressor. It will automatically shut the compressor off if the low side refrigerant temperature drops due to excessive frost formation on the evaporator coil. The fan will continue to run, causing air to flow through the evaporator coil and melt the ice. When the ice has melted, the evaporator temperature will rise and the thermostat will restart the compressor.

7.9 Electric Ventilation Damper

The electric ventilation damper is controlled by the ventilation timer. The damper will open when the ventilation timer is activated to allow fresh air into the structure through the 6" diameter fresh air inlet duct. The electric ventilation damper will remain closed when the ventilation timer is not activated to prevent over-ventilating the structure when the unit is dehumidifying or recirculating the indoor air.

The electric ventilation timer operates on 24 Vac from the control circuit. DO NOT connect high voltage to the damper motor or damage to the motor may result. DO NOT force the blade of the damper by hand or damage to the damper motor may result.

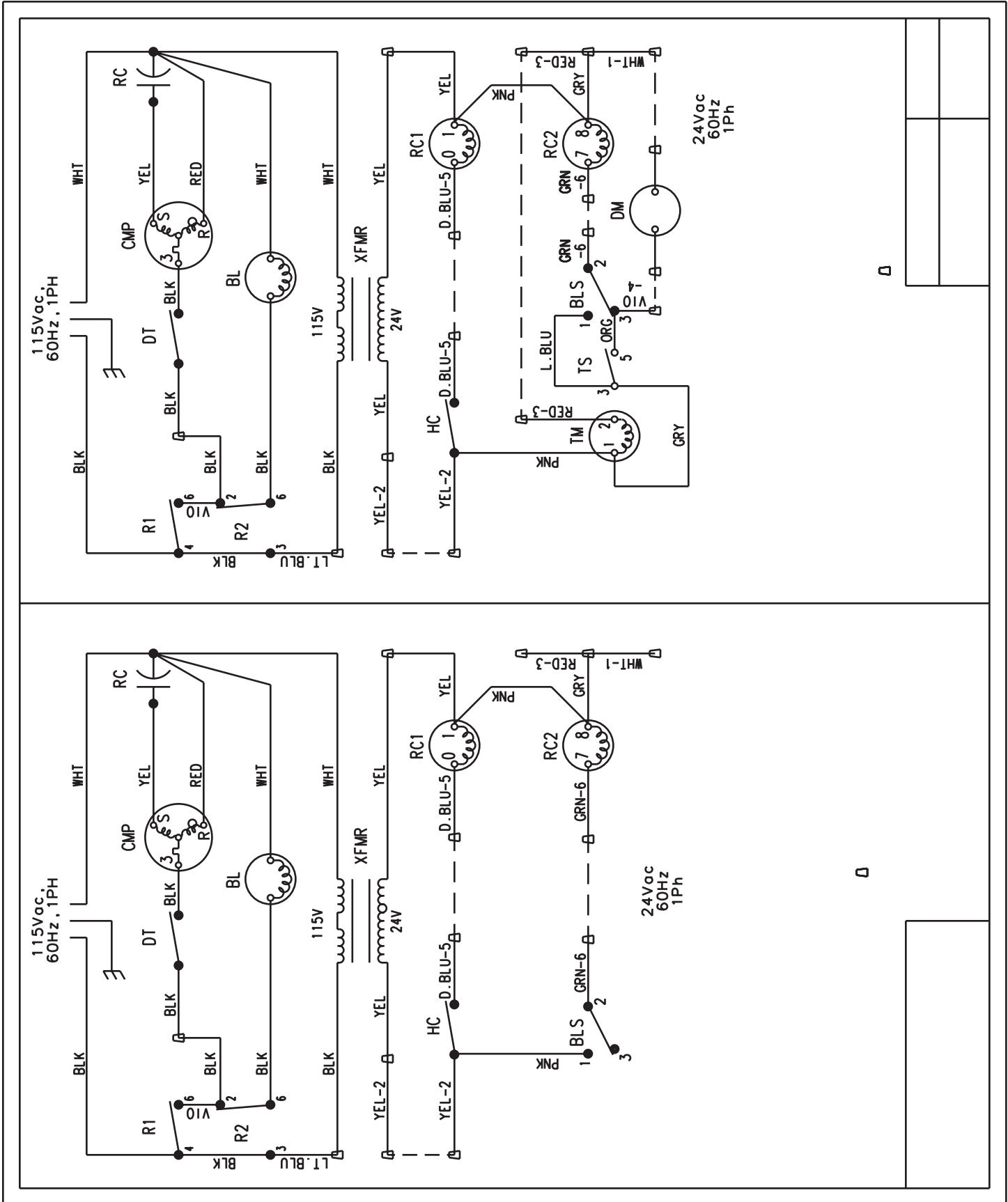
The damper opens in one direction only. The damper rotates very slowly, allow sufficient time for the damper to cycle. The damper will take approximately 1 minute to cycle from closed to open or from open to closed.

If the electric ventilation damper fails to operate:

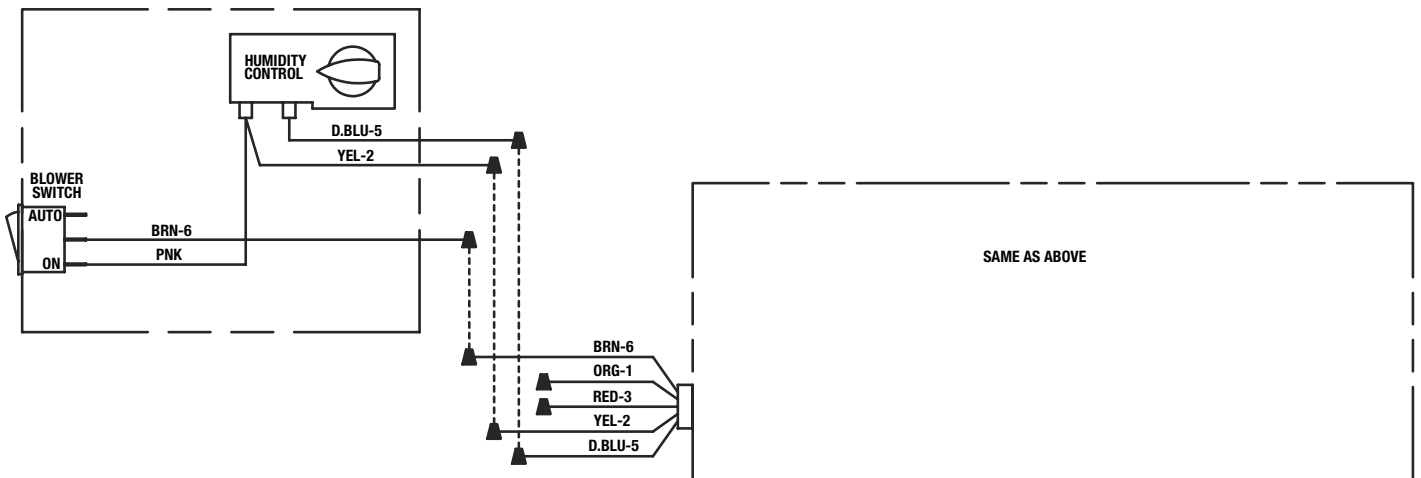
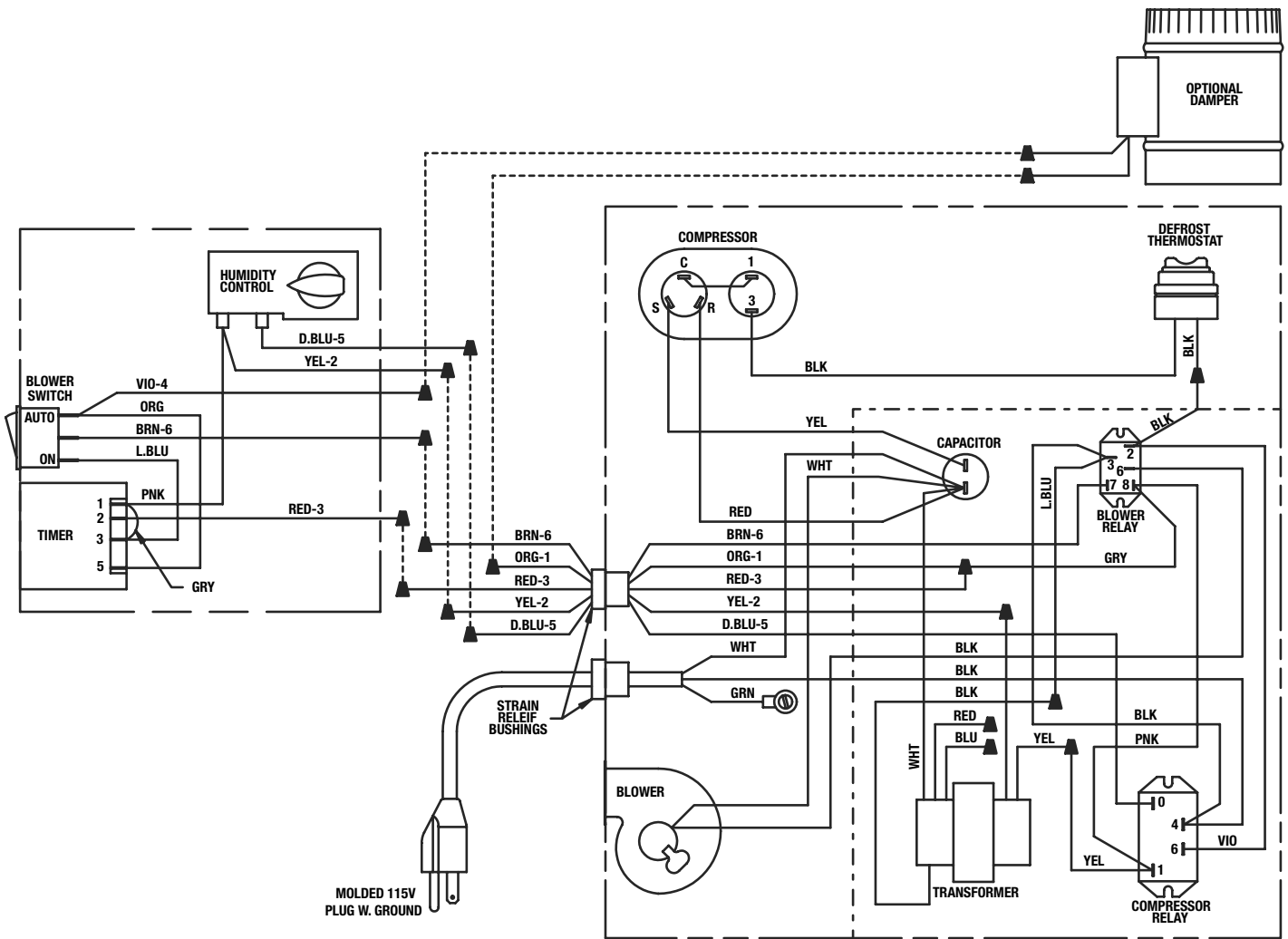
1. Check that the wiring is correct and that voltage is present at the damper motor.
2. Check for any obstruction inside the damper.

If the electric ventilation damper fails to operate after performing these checks, it must be replaced.

ULTRA-AIR 100V ELECTRICAL SCHEMATIC

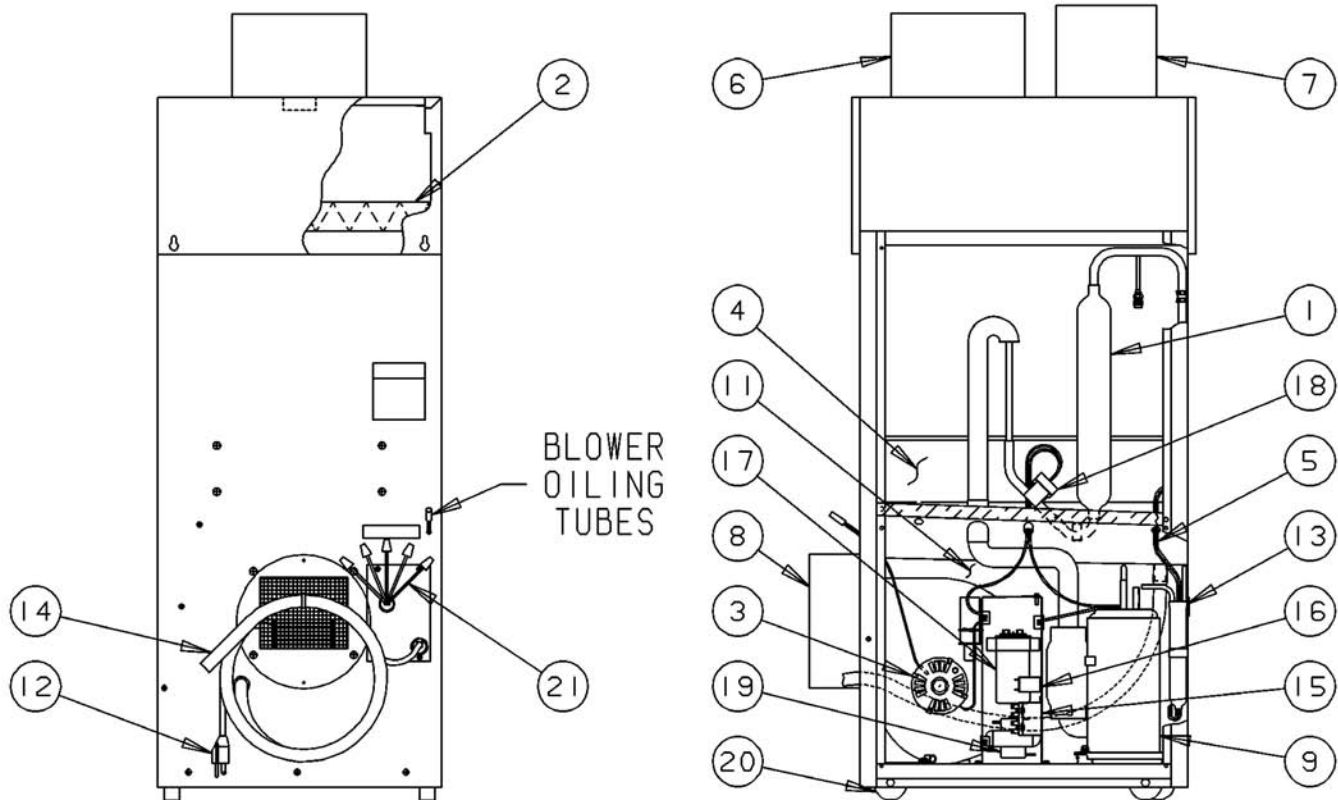


ULTRA-AIRE 100V PICTORIAL ELECTRICAL DIAGRAM



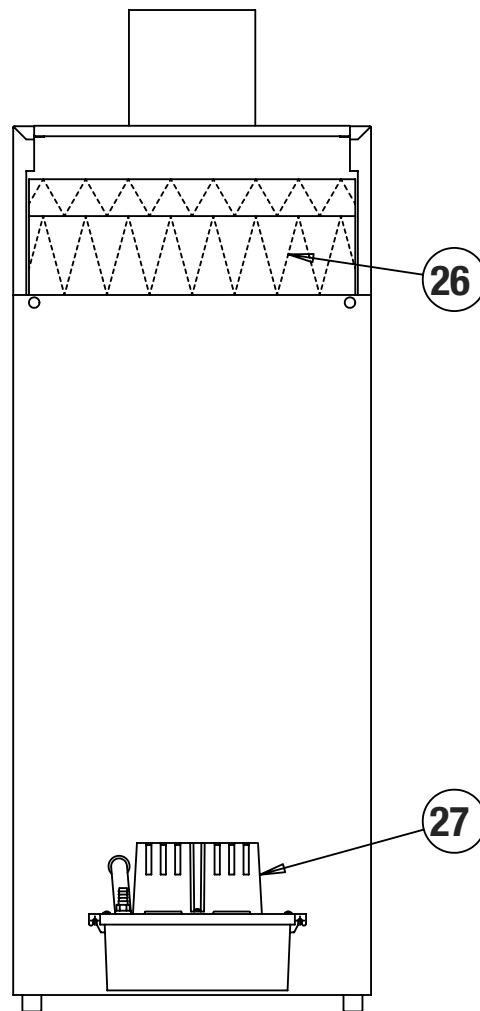
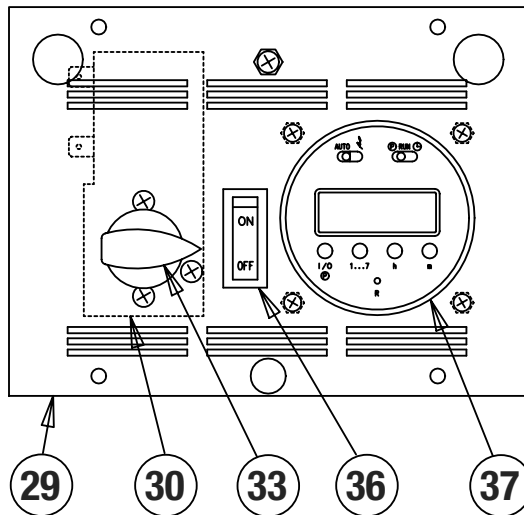
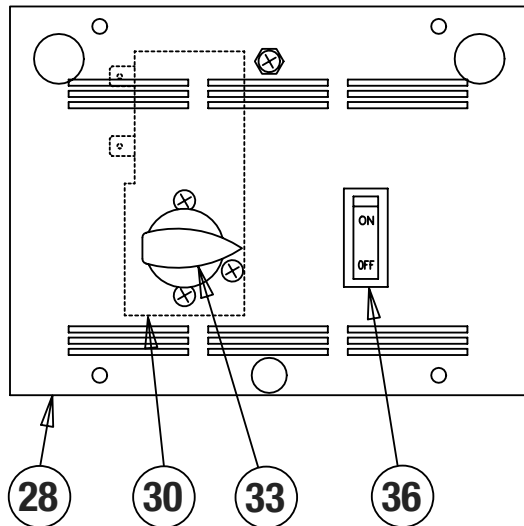
ULTRA-AIRE 100V SERVICE PARTS LIST

Item	Part No.	QTY.	Description
1	4022254	1	Accumulator
2	4021475	1	Air Filter, Pleated Cloth
3	4022037	1	Fan (Blower) w/ Capacitor (Fasco 7090-1874)
4	4021395	1	Evaporator Coil
5	4021589	2	Capillary Tubes, .050" ID x .114 OD x 28" long
6	4023875	1	Collar, Inlet, 8" Galvanized Steel
7	4023928	1	Collar, Inlet, 6" Galvanized Steel with Damper
8	4020623	1	Collar, Outlet, 8" White (for outlet only)
9	4022147	1	Compressor, Panasonic (2R12S3R126A-6A)
10	4022144	1	Compressor Overload (TI # MRA98706-673) (not shown)
11	4021396	1	Condenser Coil
12	4022445	1	Cord & Wire Harness
13	4025087	1	Filter/Drier
14	4021626	1	Hose, Drain Pan, .56" ID x 8'
15	4022484	1	Relay, SPST, 24 Vac, 30A
16	4020924	1	Relay, SPDT, 24 Vac, 15A
17	4024666	1	Run Capacitor for Compressor, 35 MFD, 440v
18	4021470	1	Thermostat, Defrost
	4021648	1	Thermostat Clip, Defrost (item 18) (not shown)
19	4022487	1	Transformer, 120/24 Vac, 40 VA
20	4021471	4	Wheel, 2", Plastic
21	4022444	1	Wire Harness, Low Voltage
22	4022442	1	Wiring Diagram (on Cover) (not shown)

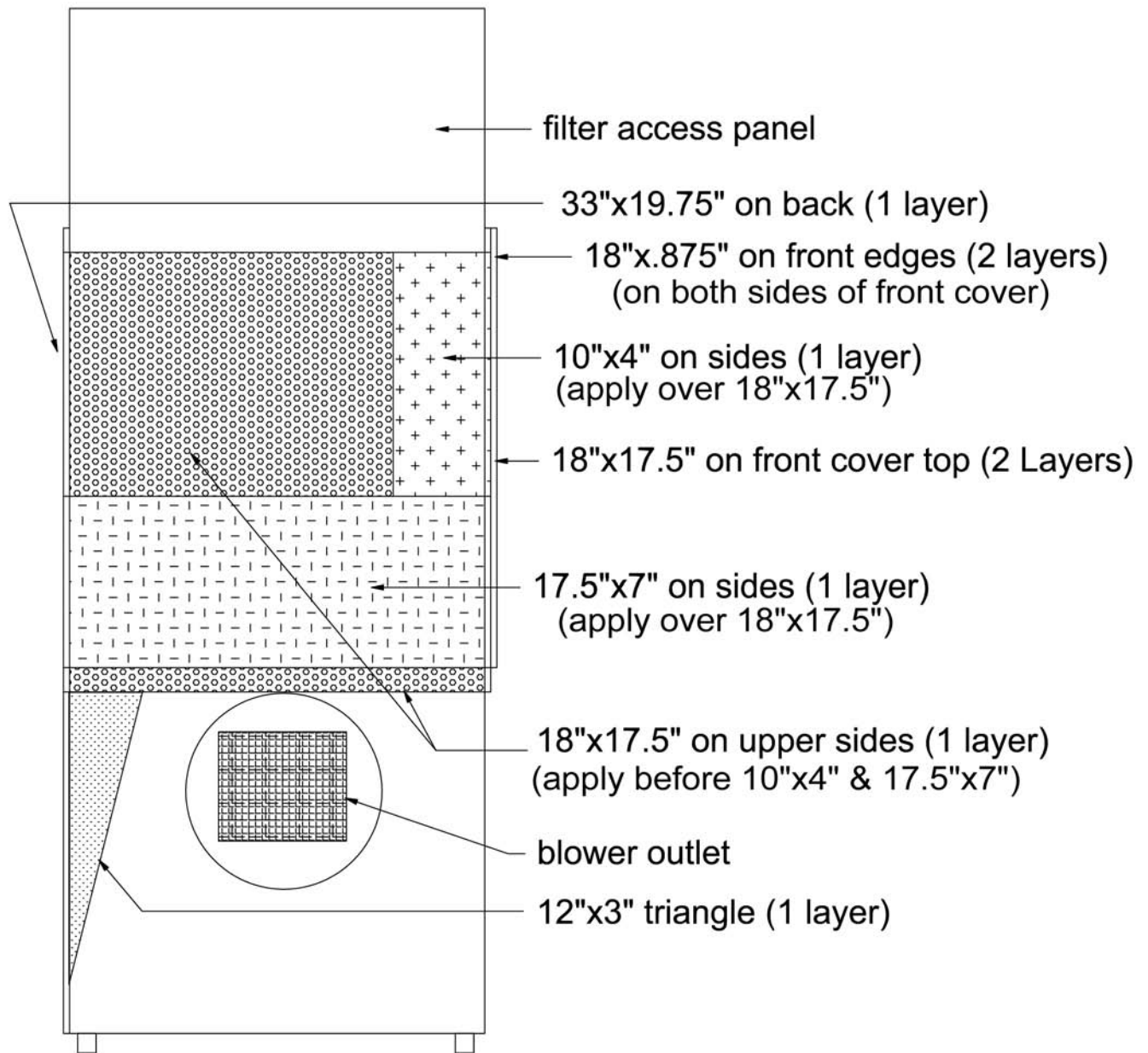


ULTRA-AIRE 100V OPTIONAL PARTS LIST

Item	Part No.	QTY.	Description
26	4022489	1	Air Filter, High Efficiency, Pleated Microglass Paper, 90%-95%
27	4022220	1	Condensate Pump Kit
28	4024155	1	Control Panel Assembly, Humidity/Fan
29	4024125	1	Control Panel Assembly, Ventilation Timer & Humidity
30	4023660	1	Controller, Humidity
31	4023672	1	Damper, Duct, 6" Diameter, Electrically Actuated (not shown)
32	4024153	1	Cover for Items 28 & 29 (not shown)
33	4021495	1	Knob, Black, .25" shaft
34	4024150	1	Instructions, Humidity/Fan (not shown)
35	4024122	1	Instructions, Ventilation Timer & Humidity (not shown)
36	4025560	1	Switch, Black, SPDT, ON/OFF
37	4022486	1	Timer, 7-Day, 24 Vac, Programmable
38	4022443	1	Wire Harness, Ventilation Timer & Humidity (not shown)
39	4022474	1	Wire Harness, Humidity/Fan (not shown)
40	4023647	1	Damper, Check, 8" Diameter (not shown)
41	4022474	1	External Insulation Kit (Optional-not shown)



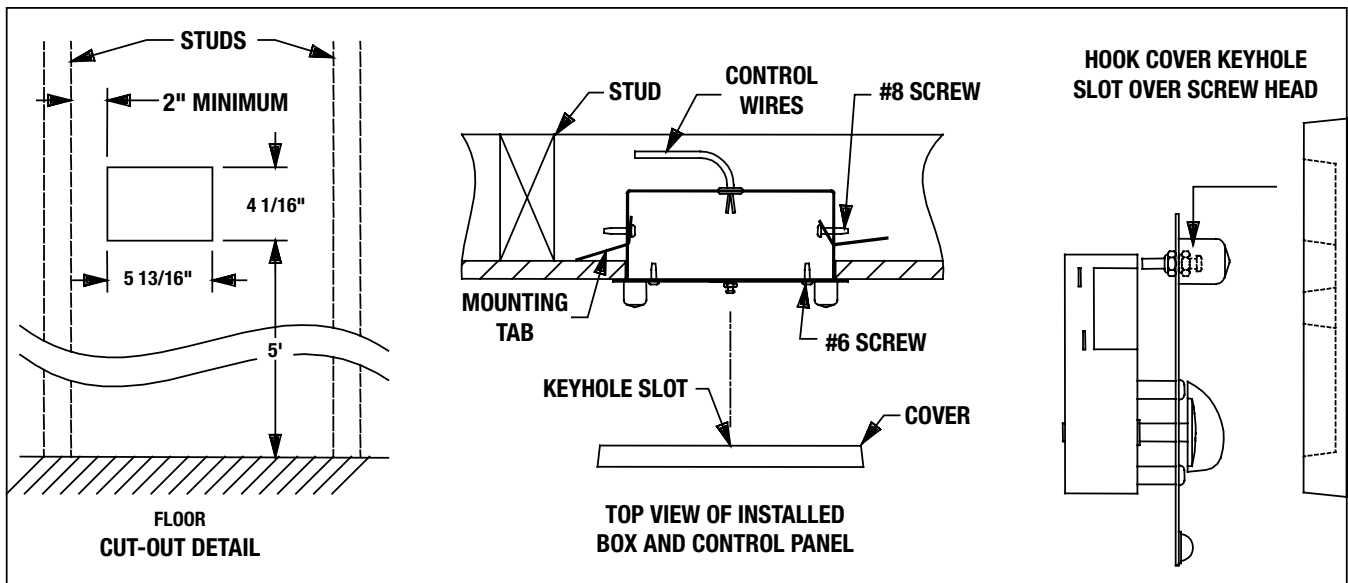
ULTRA-AIRE 100V EXTERNAL INSULATION KIT



Blower Side View

ULTRA-AIRE 100V CONTROL PANEL INSTALLATION

1. The following installation instructions are for both new construction and retrofit applications. For new construction, it is recommended that the control box be installed after the drywall is in. Prior to drywall installation, the control wires can be positioned to come through the drywall about 5' 2" above the floor and at least 3" left or right of any stud.
2. Locate the box bottom about 5' above the floor. Locate the left and right box sides at least 2" from any stud. Use the back of the control box as a template to make the rectangular drywall cutout (5-13/16" wide by 4-1/16" high). DO NOT oversize the cutout, especially the height.
3. Feed the low voltage control wires into the box back through the rubber grommet.
4. Place the box in the hole and put the mounting tabs through the slots in the box sides as shown.
5. Place the two 3/4" long, #8 screws through the tab slots and into the holes in the box sides.
6. Tighten the screws until the tab ears press firmly against the drywall back, causing the upper and lower box flanges to press tightly against the drywall front.
7. Connect the control wires to the control panel leads per the installation sheet taped to the Ultra-Aire side or per the manual.
8. Fasten the control panel to the box flanges with the 1/2" long, #6 screws provided.
9. Slide the cover over the control panel screw head at the panel top so it catches in the keyhole on the back of the cover (see detail below). The cover hides the control panel when it is not being programmed.
10. The sheet under the cover glass can be replaced with artwork of the customers' choice.



ULTRA-AIRE 100V Dehumidifier Limited Warranty

WARRANTOR:

Therma-Stor LLC
PO Box 8680
Madison, WI 53708
Telephone: 1-800-533-7533

WHO IS COVERED: This warranty covers the Ultra-Aire 100V and extends only to the original residential end-user of the Ultra-Aire 100V Dehumidifier, and may not be assigned or transferred.

Year One - 100% parts and labor (all components). Therma-Stor LLC warrants that, for one (1) year the Ultra-Aire 100V Dehumidifier will operate free from any defects in materials and workmanship, or Therma-Stor LLC will, at its option, repair or replace the defective part(s), free of any charge. This excludes charges incurred installing and removing the Ultra-Aire 100V for repair.

Year(s) Two through Five - Therma-Stor LLC further warrants for a period of five (5) years, the condenser, evaporator, and compressor of the Ultra-Aire 100V Dehumidifier will operate free of any defects in material or workmanship, or Therma-Stor LLC, at its option, will repair or replace the defective part(s). This excludes charges incurred installing and removing the Ultra-Aire 100V for repair.

USER RESPONSIBILITIES: Warranty service must be performed by a servicer authorized by Therma-Stor LLC. To obtain warranty service you must obtain a return material authorization (RMA). To obtain an RMA you must present proof of purchase or (lease), by use of a warranty card, original sales receipt or other reasonable and reliable means.

To obtain an RMA call Therma-Stor LLC at the above number and ask for the Therma-Stor LLC Service Department, which will then issue an RMA# and arrange for, at our option, either repair or replacement.

FREIGHT: Freight to and from the servicer is the responsibility of the end-user. The end-user is responsible for normal care and proper return packaging.

LIMITATIONS AND EXCLUSIONS: This warranty does not cover any defect, malfunction, etc. resulting from misuse, abuse, lack of normal care, corrosion, freezing, tampering, modification, unauthorized or improper repair or installation, accident, acts of nature or any other cause beyond Therma-Stor LLC's reasonable control. This excludes charges incurred installing and removing the Ultra-Aire 100V for repair.

If any Ultra-Aire 100V part is repaired or replaced, the new part shall be warranted for the balance of original warranty (but all warranty periods will be extended by the period of time, if any, that the Ultra-Aire 100V is out of service while awaiting covered warranty service).

Warranty service will be performed during normal working hours.

UPON THE EXPIRATION OF THE WRITTEN WARRANTY APPLICABLE TO THE ULTRA-AIRE DEHUMIDIFIER OR ANY PART THEREOF, ALL OTHER WARRANTIES IMPLIED BY LAW, INCLUDING MERCHANTABILITY AND FITNESS FOR A PARTICULAR PURPOSE, SHALL ALSO EXPIRE. ALL WARRANTIES MADE BY THERMA-STOR LLC ARE SET FORTH HEREIN, AND NO CLAIM MAY BE MADE AGAINST THERMA-STOR LLC BASED ON ANY ORAL WARRANTY. IN NO EVENT SHALL THERMA-STOR LLC, IN CONNECTION WITH THE SALE, INSTALLATION, USE, REPAIR OR REPLACEMENT OF ANY ULTRA-AIRE DEHUMIDIFIER OR PART THEREOF BE LIABLE UNDER ANY LEGAL THEORY FOR ANY SPECIAL, INDIRECT OR CONSEQUENTIAL DAMAGES INCLUDING WITHOUT LIMITATION WATER DAMAGE (THE END-USER SHOULD TAKE PRECAUTIONS AGAINST SAME), LOST PROFITS, DELAY, OR LOSS OF USE OR DAMAGE TO ANY REAL OR PERSONAL PROPERTY.

Some states do not allow limitations on how long an implied warranty lasts, and some do not allow the exclusion or limitation of incidental or consequential damages, so one or both of these limitation may not apply to you.

LEGAL RIGHTS: This warranty gives you specific legal rights, and you may also have other rights which vary from state to state.





Therma-Stor LLC

PO Box 8680 • Madison, WI 53708

Phone: 608-222-5301 • Fax: 608-222-1447

Web: www.thermastor.com • Email: sales@thermastor.com

Information in this document is subject to change without notice. No part of this document may be reproduced or transmitted in any form or by any means, electronic or mechanical, for any purpose, without the express written permission of Therma-Stor LLC. © 2006 Therma-Stor LLC. All rights reserved.

Free Manuals Download Website

<http://myh66.com>

<http://usermanuals.us>

<http://www.somanuals.com>

<http://www.4manuals.cc>

<http://www.manual-lib.com>

<http://www.404manual.com>

<http://www.luxmanual.com>

<http://aubethermostatmanual.com>

Golf course search by state

<http://golfingnear.com>

Email search by domain

<http://emailbydomain.com>

Auto manuals search

<http://auto.somanuals.com>

TV manuals search

<http://tv.somanuals.com>