

Therma-Tru[®] Hinged Patio Door System

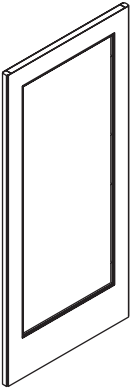
Single Panel Unit Assembly

Read all instructions before starting.

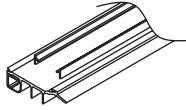
The applicable standards for these products are governed by
the International Residential Code.
Copies of performance ratings and testing are available on our website
www.thermatru.com and our product manual.

Part identification

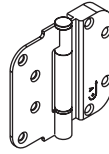
Not all parts shown will be included in package.
Parts will vary for type of unit purchased.



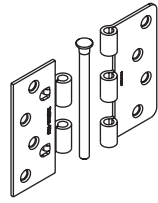
Door Panel



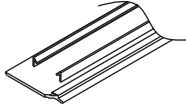
Door Bottom - Inswing



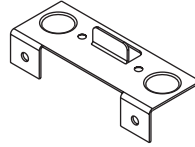
Adjustable Hinge



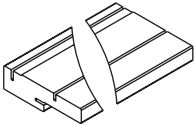
Standard Hinge



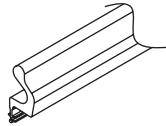
Door Bottom - Outswing



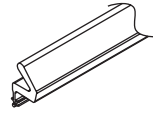
Transport Clip



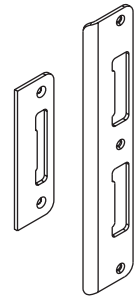
Head Jamb



Head & Lock Weatherstrip



Hinge Weatherstrip



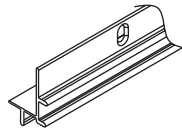
Multi-point Lock Strikes



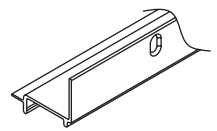
Lock Jamb



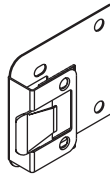
Hinge Jamb



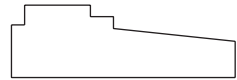
Inswing Flange



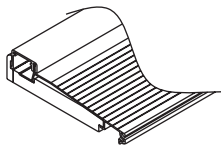
Outswing Flange



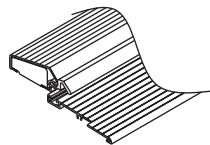
Standard Strike Inswing



End Seal Pad

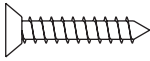


Inswing sill

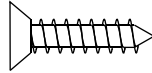


Outswing Sill

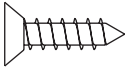
Part identification - continued



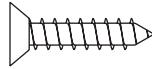
#6 x 3/4"
flat head screw



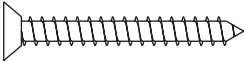
#10 x 3/4"
flat head screw



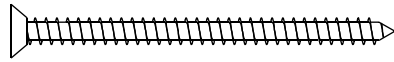
#8 x 5/8"
flat head screws



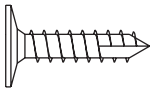
#8 x 3/4"
flat head screw



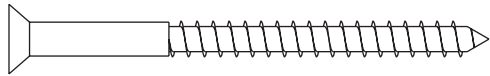
#8 x 1-1/4"
flat head screw



#8 x 2"
flat head screw



#8 x 3/4"
wafer head screw



#10 x 2-1/2"
flat head screw

Tools/materials required

This is a listing of tools that may be required to assemble unit.

- Drill/screw gun
- Phillips head drive bit or screwdriver #2 & #3
- Silicone sealant and caulk gun
- Utility knife
- Rubber mallet
- Hammer
- Staple gun with 1/2" x 7/16" crown staples
- 3/32" & 1/8" dia. drill bit
- (2) 2 x 6 boards - 38" long



NOTE:

A large work area is needed to assemble the frame kit. Cover area with cardboard from one or more door panel cartons to protect frame parts and floor. If available a carpeted table can be used to avoid marring prefinished surfaces.

1 REMOVE COMPONENTS FROM PACKAGING

NOTE:

Product that is purchased with the multi-point lock system will have additional instructions in the handle hardware box.

Installation instructions will be included in the site package.

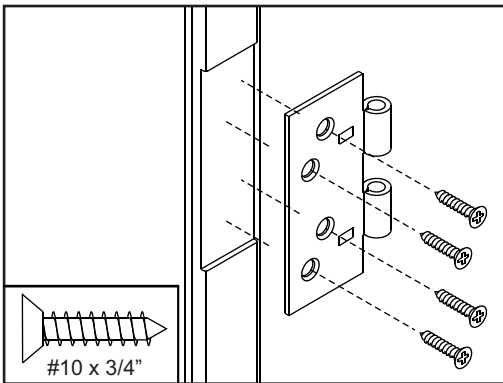
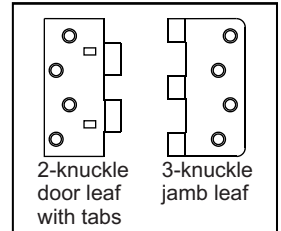
2 ATTACH HINGES TO DOOR

Standard Hinge Option

Use Correct Hinge Leaf

Leaves applied to door have 2 knuckles.

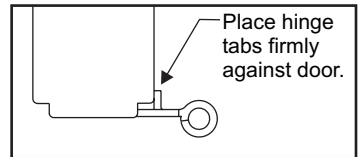
Leaves applied to jamb have 3 knuckles.



Align and Install Hinges

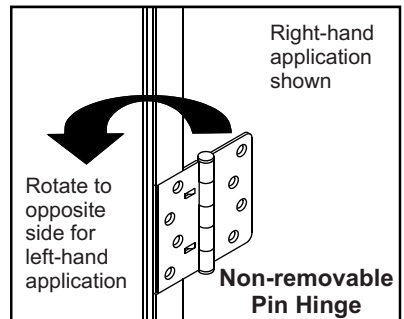
Place tabs firmly against door.

Fasten 2-knuckle hinge leaves with #10 x 3/4" flat head screws.



NOTE:

Outswing packages come with a non-removable pin (NRP) hinge. It is recommended to attach the hinge in the middle location. For 8' heights, two NRP hinges are included. NRP hinges have locating tabs. Fasten to door panel using same method as for unassembled hinges, placing tabs against door face to locate hinge.



2 ATTACH HINGES TO DOOR - *continued*

Adjustable Hinge Option

Attach hinge to door

Locate the “H” and “V” markings on hinges. The two “H” hinges go in top and bottom locations with the “V” hinge in the center.

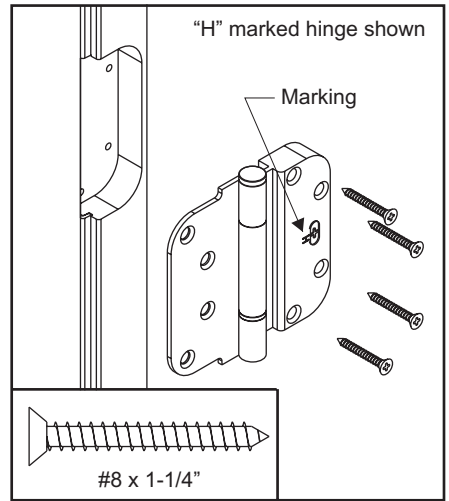
For 8', the “V” hinge is located second from top of door.

Insert thick side of hinge into pocket in door and fasten with #8 x 1-1/4" flat head screws.

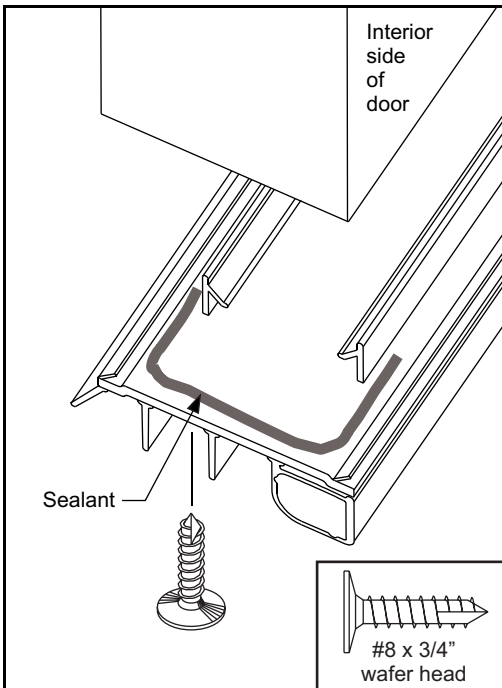


NOTE:

Inswing hinges are reversible by removal of hinge pin. Outswing hinges are reversible by removal of set screw then removal of hinge pin.



3 INSTALL DOOR BOTTOM



NOTE:

Outswing units do not require door bottoms.

Caulk and Fasten Door Bottom

Select a sealant that provides excellent adhesion to both plastic and wood.

Apply sealant as shown to ends of door bottom.

Center door bottom and press into rail kerfs.

Secure each end of door bottom with (1) #8 x 3/4" wafer head screw.

4 INSTALL WEATHERSTRIP

Apply Weatherstrip to Active Frame Parts

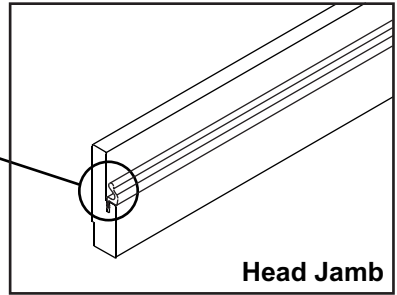
Press in kerf with hand.

Head Jambs

Align starting end with head gain.

Fit and secure in place along full length.

Trim finish end flush with end of jamb.

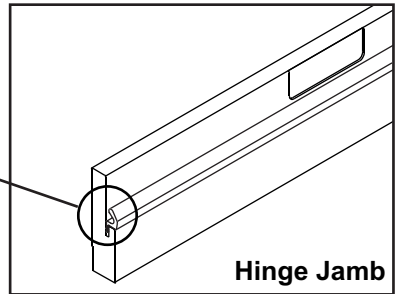


Head Jamb

Hinge Jambs

Align starting end with head gain.

Fit and secure in place along full length.

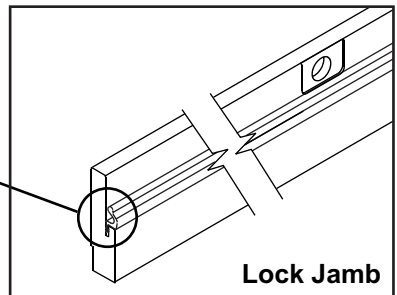


Hinge Jamb

Lock Jambs

Align starting end with head gain.

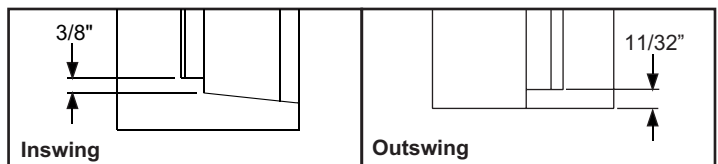
Fit and secure in place along full length.



Lock Jamb

Trim Bottom End

Trim weatherstrip as shown.



5 INSTALL STRIKES

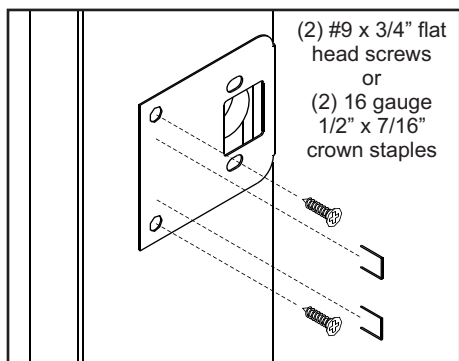
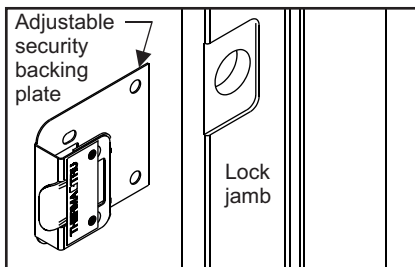
Standard Strike Option - Inswing



NOTE:
Outswing units will have strike installed during unit installation.

Slide Strike Assembly onto Lock Jamb

Lightly bend tongue area of backing plate inward to allow for a snug fit then slide over edge of lock jamb into mortise.



Fasten Security Strike Assembly to Lock Jamb

Fasten with (2) #9 x 3/4" flat head screws or (2) 16 gauge 1/2" x 7/16" crown staples (not supplied) through strike plate on back side of jamb.

NOTE:
Do not staple through screw holes when using staples in place of screws.

Multi-point Lock Option

Fasten Strike Plates to Lock Jamb

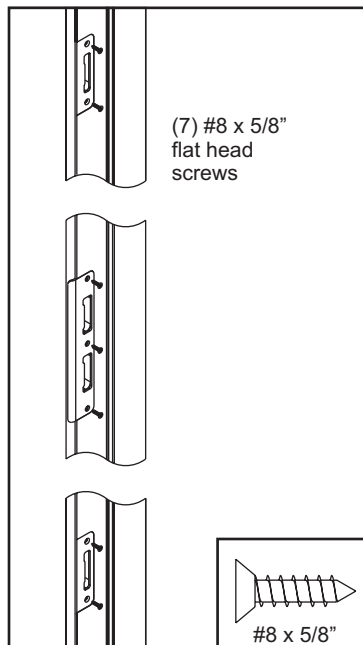
Fit strike plates into mortises on lock jamb.

Pre-drill 3/32" dia. pilot holes through jamb.

Fasten with (7) #8 x 5/8" flat head screws.



CAUTION:
Do not over torque screws.



6 ATTACH HINGES TO JAMB



NOTE:

These are instructions for installation of standard hinges. Proceed to step 7, FRAME ASSEMBLY, if using adjustable hinges.

Standard Hinge Option

Fasten Hinges to Hinge Jamb

Place hinges into hinge mortise.

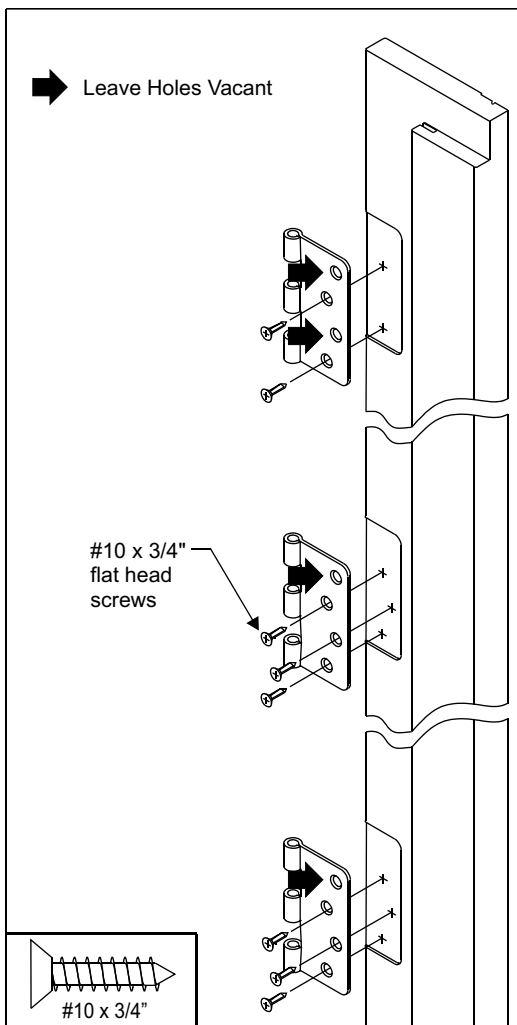
Pre-drill 1/8" dia. pilot holes through jamb.

Fasten top hinge with (2) #10 x 3/4" flat head screws in hole locations shown.

Fasten middle and bottom hinges each with (3) #10 x 3/4" flat head screws leaving top hole vacant.



CAUTION:
Do not over torque screws.



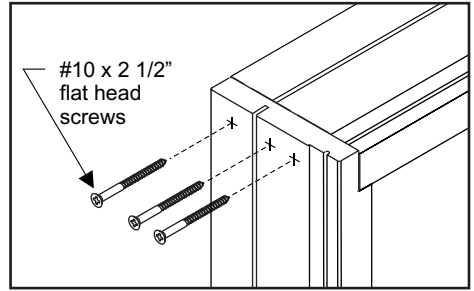
7 FRAME ASSEMBLY

Fasten Side Jamb to Head Jamb

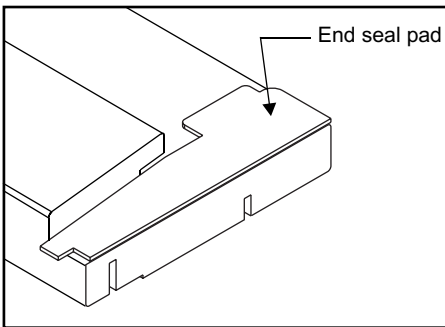
Butt and align head jamb to side jambs.

Pre-drill 1/8" dia. pilot holes through side jamb into head jamb.

Fasten side jambs to head jamb with (3) #10 x 2 1/2" flat head screws through lock and hinge jamb into head jamb.



Inswing Sill Option

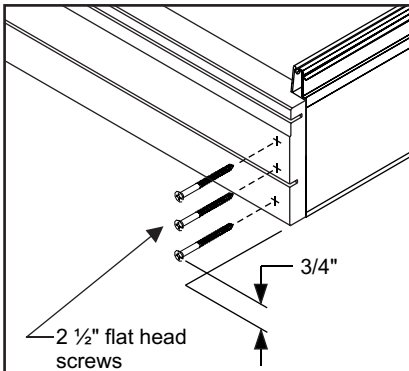
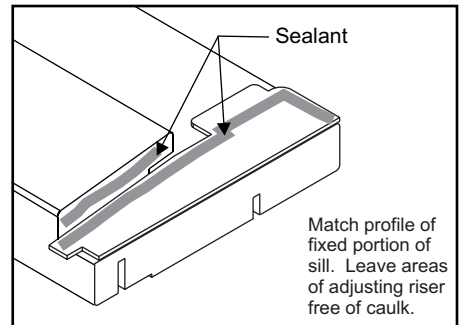


Caulk Entire Sill Gain

Apply a 1/4" bead of sealant to sill gain and a bead that matches profile of sill.

Apply End Seal Pads

Remove from paper backing and apply adhesive side of end seal pads at bottom of each jamb.



Fasten Sill to Side Jambs

Fit and align sill between lock and hinge jamb.

Starting approximately 3/4" from interior side of jamb, drill (3) 1/8" dia. pilot holes through each jamb into sill substrate.

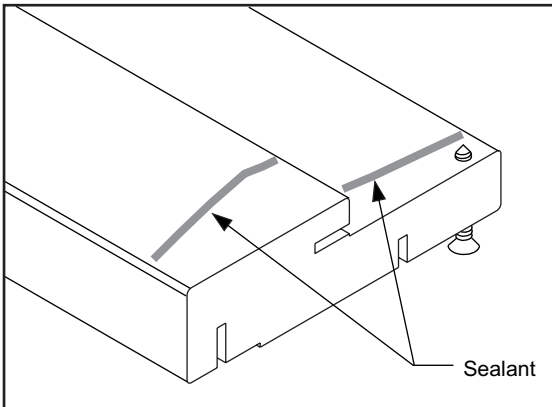
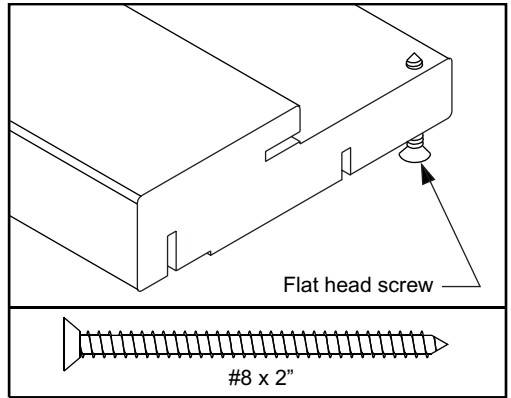
Fasten each jamb to sill with (3) #10 x 2 1/2" flat head screws.

7 **FRAME ASSEMBLY - continued**

Outswing Sill Option

Partially Set Sill Screws in Jamb

Drive (1) #8 x 2" flat head screw through holes in both side jamb until tips barely protrude through jamb face.



Caulk Entire Sill Gain

Apply a 1/4" bead of sealant to sill gain and a bead that matches upper profile of sill.

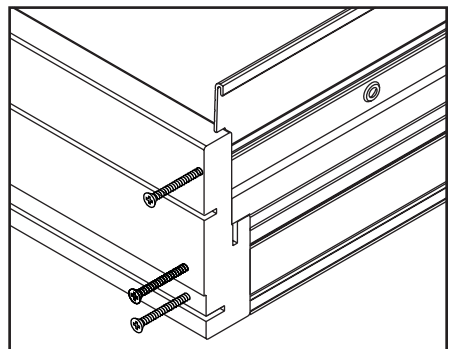
Fasten Sill to Jamb

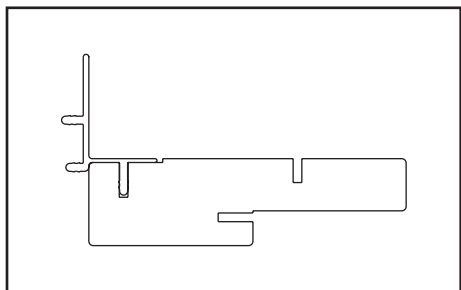
Use screw points and index sill in place.

Drive screws using bit sized properly for screw head.

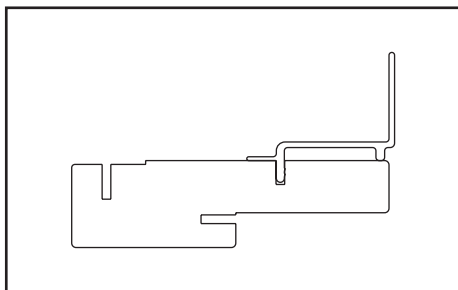
Pre-drill (2) 3/32" dia. pilot holes through each jamb into sill substrate.

Drive (2) #8 x 2" flat head screws through each side jamb into sill substrate in locations approximately as shown.



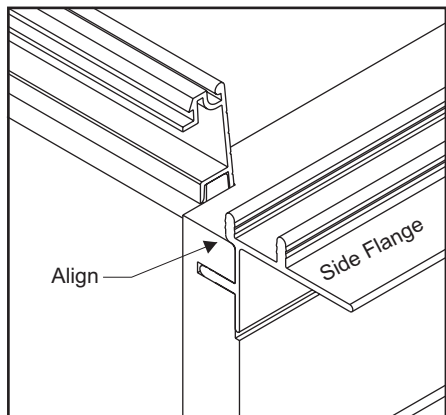


Inswing



Outswing

NOTE: Inswing application shown.



Align and Install Side Flanges

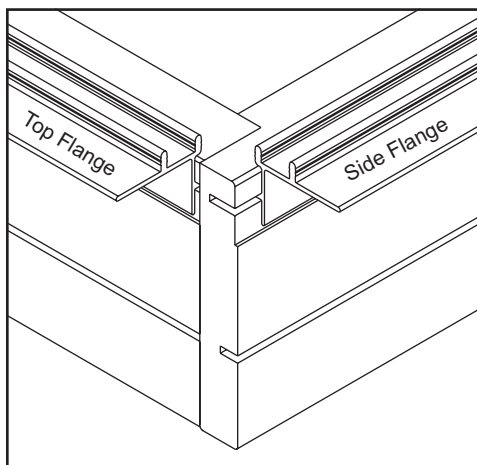
Align edge of side flange with bottom of side jambs.

Firmly press into kerf in jamb using a rubber mallet if necessary.

Flange will be set back approximately 1/2" from top edge of jamb.

Install Top Flange

Center top flange into head jamb kerf and press into place using a rubber mallet if necessary.



9 DOOR INSTALLATION

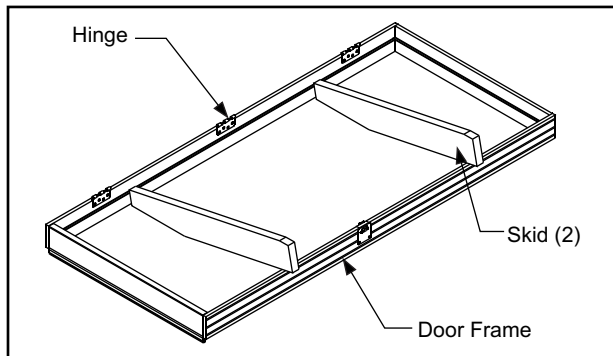
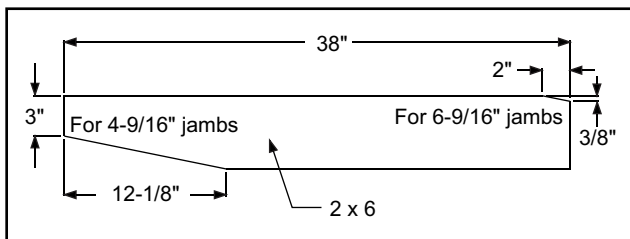
Standard Hinge Option

Make 2 "Insert Skids"

Make from 2 x 6 boards.



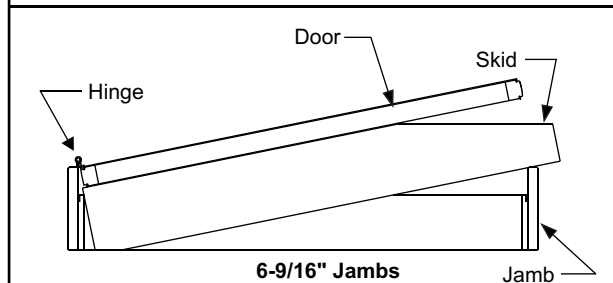
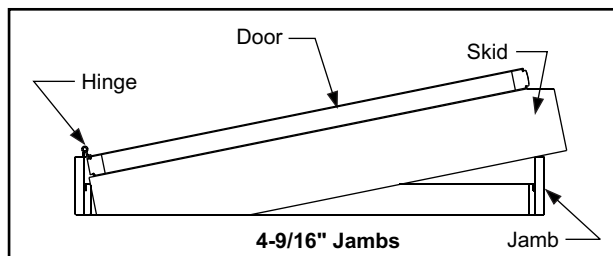
NOTE:
It is recommended to cover skids with cardboard or other material to protect surface of door.



Place Door into Frame

Lay frame on flat surface with hinges on jamb pointed up as shown.

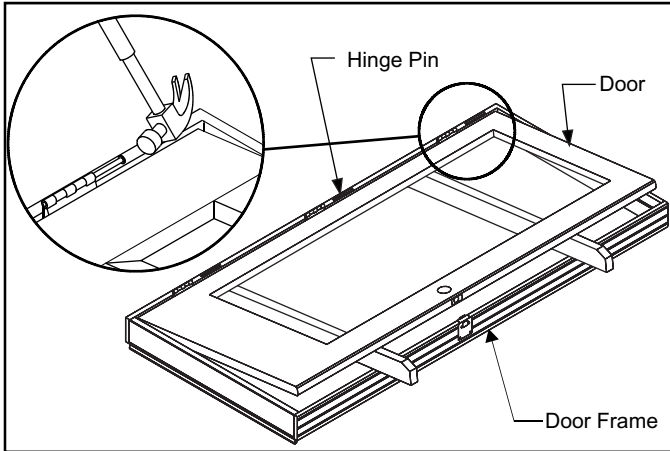
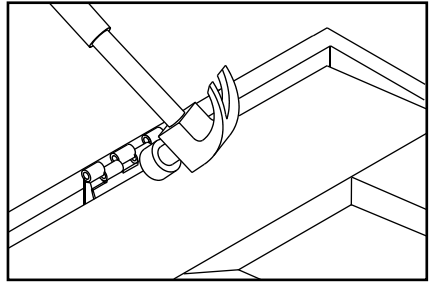
Slide door down on top of skids.



9 DOOR INSTALLATION - continued

Engage Hinge Knuckles

Tap with hammer or rubber mallet as required to line up hinge knuckles and engage.



Install Hinge Pins

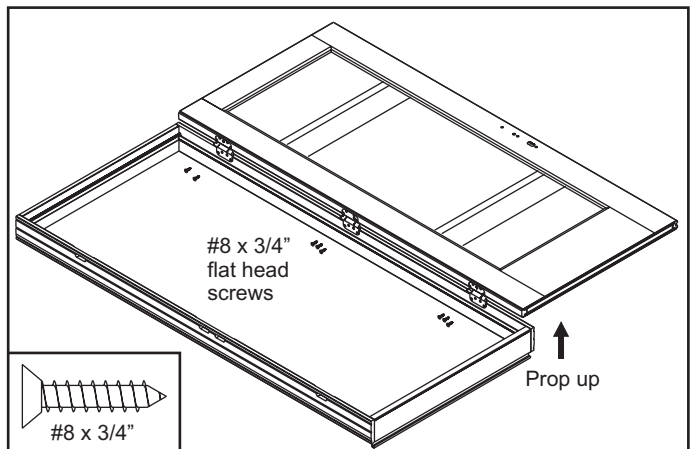
Tap in pins. Be certain to insert pins so heads are on top edges of hinges.

Adjustable Hinge Option

Fasten door panel to frame

Prop up hinge side of door panel until hinges can align into mortises on hinge jamb.

Fasten door panel to frame with #8 x 3/4" flat head screws, (2) in top hinge and (3) in middle and bottom hinge.



10 ATTACH TRANSPORT CLIP

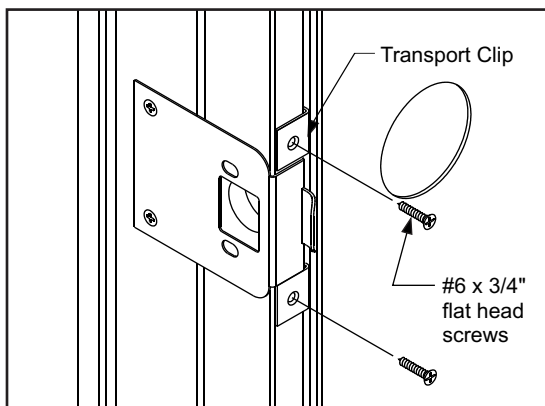
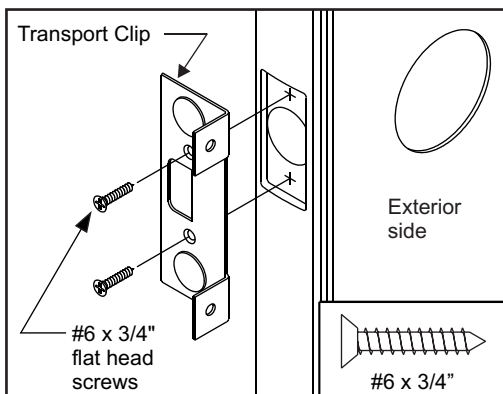
Standard Lock Option

Attach Transport Clip to Door

Insert tab into latch bore.

Position reference lip at edge of stile against exterior side of door.

Fasten with (2) #6 x 3/4" flat head screws.



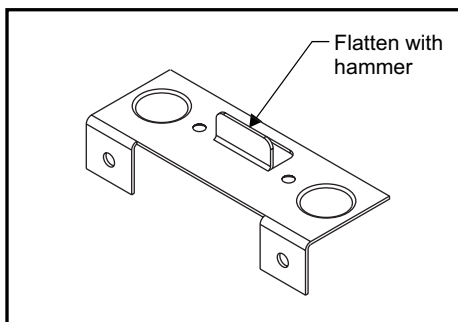
Attach Transport Clip to Frame

Close door into frame ensuring margins are even at head jamb.

Fasten transport clip to frame with (2) #6 X 3/4" flat head screws.

Multi-point Lock Option

Flatten lock tab with hammer.

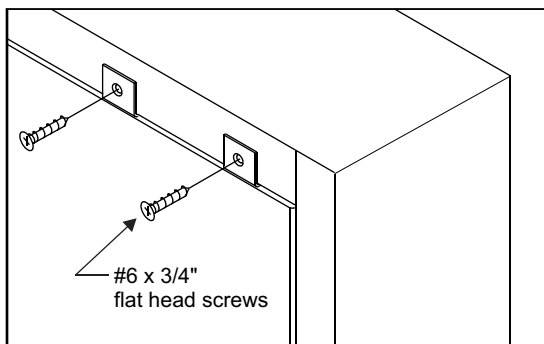
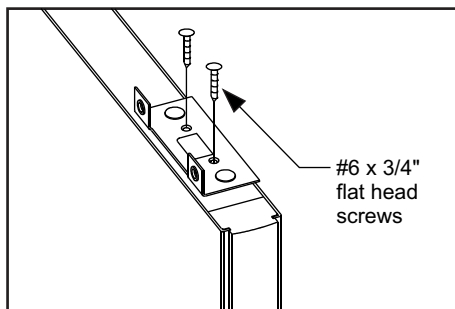


10 ATTACH TRANSPORT CLIP - *continued*

Attach Transport Clip to Door

Place flattened transport clip on top of door approximately 1 to 2 inches from lock side edge.

Fasten with (2) #6 x 3/4" flat head screws.



Attach Transport Clip to Frame

Close door into frame ensuring margins are even at head jamb.

Fasten transport clip to frame with (2) #6 x 3/4" flat head screws.

11 UNIT READY FOR INSTALLATION

Unit can now be transferred for installation. Gather any remaining components and hardware as they may be used for installation.

See "*Unit Installation*" instructions.

THERMA TRU[®]

PATIO DOOR SYSTEMS

1687 Woodlands Dr. Maumee, OH 43537
1-800-THERMATRU (843-7628)
www.thermatru.com

Free Manuals Download Website

<http://myh66.com>

<http://usermanuals.us>

<http://www.somanuals.com>

<http://www.4manuals.cc>

<http://www.manual-lib.com>

<http://www.404manual.com>

<http://www.luxmanual.com>

<http://aubethermostatmanual.com>

Golf course search by state

<http://golfingnear.com>

Email search by domain

<http://emailbydomain.com>

Auto manuals search

<http://auto.somanuals.com>

TV manuals search

<http://tv.somanuals.com>