

DISHWASHER INSTALLATION INSTRUCTIONS

Table of Contents

IMPORTANT INSTRUCTIONS	1	Placing the Dishwasher	10
Tools Needed	2	Securing the Dishwasher	10
Materials Needed	2	Drain Hose Connection	11
Materials Supplied	3	Hot Water Connection	12
Enclosure Preparation	4	Electrical Connection	13-14
Electrical Preparation	5	Door Tension Adjustment	14
Plumbing Preparation	6-7	Base and Toe Panel	14-15
Dishwasher Preparation	7-8	Final Instructions	15
Door Panel Installation	9	Customer Service	16

IMPORTANT INSTRUCTIONS



WARNING - OBSERVE ALL WARNINGS AND CAUTIONS

These instructions are intended for use by qualified installers only.

In addition to these instructions, the dishwasher shall be installed:

- In accordance with all local codes or, in the absence of a local code,
- In the United States, with the National Electric Code.
- In Canada, with the Canadian Electric Code C22.1 -latest edition/Provincial and Municipal codes and/or local codes.

Read these installation instructions completely and follow them carefully. They will save you time and effort and help to ensure safety and optimum dishwasher performance.

CAUTION: If the dishwasher is installed in a location that experiences freezing temperatures (e.g., in a holiday home), you must drain all the water from the dishwasher's interior. Water system ruptures that occur as a result of freezing are not covered by warranty.

IMPORTANT

- The dishwasher drain hose must be installed with a portion of it at least 20" (508mm) off the cabinet floor; otherwise the dishwasher may not drain properly.
- This dishwasher is intended for residential use only, and should not be used in commercial food service establishments.
- **NEW INSTALLATION** - If the dishwasher is a new installation, most of the work must be done before the dishwasher is moved into place.
- **REPLACEMENT** - If the dishwasher is replacing another dishwasher, check the existing dishwasher connections for compatibility with the new dishwasher, and replace parts as necessary.

Inspect the Dishwasher

After unpacking the dishwasher and prior to installation, thoroughly inspect the dishwasher for possible freight or cosmetic damage. Report any damage immediately. Cosmetic defects must be reported within 5 days of installation.

NOTE: Do not discard any bags or items that come with the original package until after the entire installation has been completed.

TOOLS NEEDED



Hammer



Hole Saw



Pipe Wrench



Adjustable Wrench



Tape Measure



Slot Screwdriver



Phillips Screwdriver



Torx Screwdriver



Wire Cutter



Wire Stripper



Drill



Level

MATERIALS NEEDED

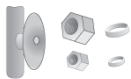
(Additional materials may be required to comply with local codes.)



Electrical Supply Cable - Minimum #14 AWG, 2 conductor, 1 ground, insulated copper conductors.



Hot Water Supply Line - Minimum 3/8" O.D. copper tubing or metal braided dishwasher supply line.



Shut-off valve and fittings appropriate for hot water supply line (copper tubing/compression fitting, or braided hose).



90° elbow with 3/8" N.P.T. male threads on one leg, and sized to fit your water supply line (copper tubing/compression fitting, or braided hose) on the other leg.



Teflon tape or other pipe thread compound to seal plumbing connections.



UL listed conduit connector or strain relief.

MATERIALS SUPPLIED

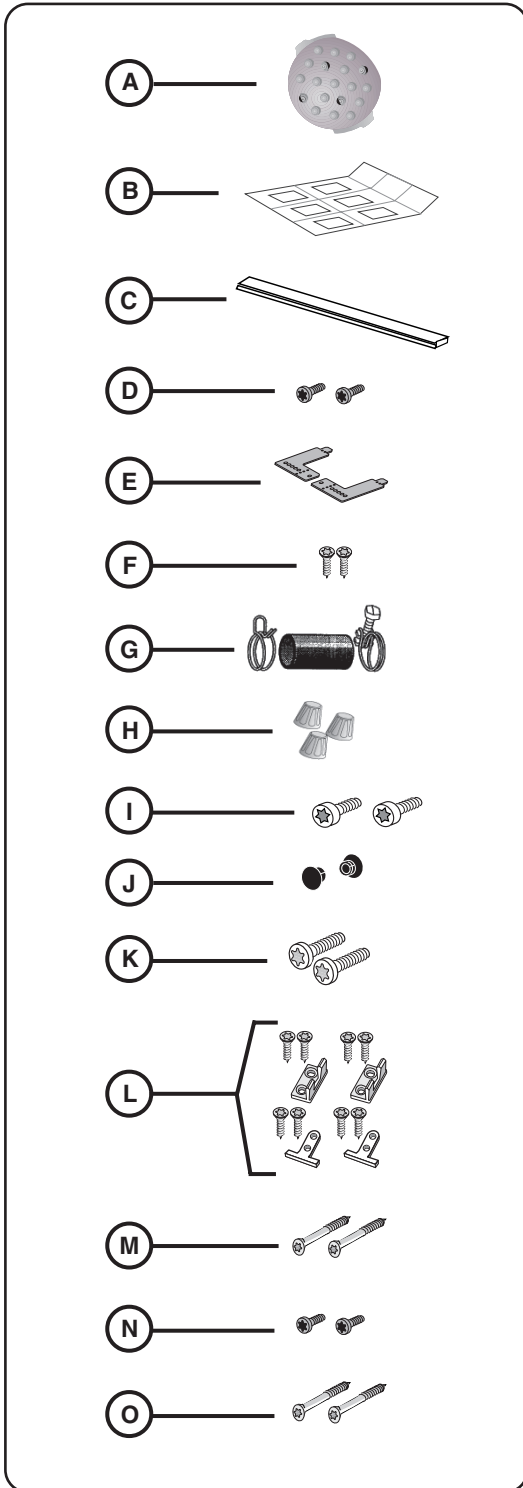


Figure 1

Accessory Parts Supplied

Accessory Parts for your dishwasher will come in one or more plastic bags. Check to make sure that the parts shown in Figure 1 are included with your model. If any parts are missing, contact your dealer immediately.

NOTE: Illustrations are not to scale.

Manual Set Bag

This dishwasher comes with a Manual Set Bag containing:

- Use & Care Instructions and Installation Instructions
- Quick Reference Guide
- Extra Tall Item Sprinkler (Fig. 1, letter A)

DWHD94BF also has SHI/SHV a Panel Installation Template Sheet (Figure 1, letter B).

DWHD94BP and DWHD94BS also have a Cotton Insulation Strip (Figure 1, letter C).

Dishwasher Installation Kit

This dishwasher comes with a Dishwasher Installation Kit containing:

- D. Toe Panel Screws (2)
- E. Mounting Brackets (2)
- F. Mounting Bracket Screws (2)
- G. Rubber Connection Hose (1) and Drain Hose Clamps (2)
- H. Wire Nuts (3)
- I. Junction Box Screws (2)

DWHD94BF

In addition to a Manual Set Bag and an Installation Kit Bag, DWHD94BF models also come with a Door Panel Installation Kit containing:

- J. Caps (2)
- K. Spring Tension Screw (2)
- L. Door Mounting Brackets (2 plastic) w/Screws (4); Mounting Door Brackets (2 metal) w/Screws (4)
- M. Wood Screws (2)

DWHD94BP and DWHD94BS

In addition to a Manual Set Bag and an Installation Kit Bag, these models also come with a Toe Panel Installation Kit containing:

- N. Toe Panel Screws (2)
- O. Base Part Screws (2)

ENCLOSURE PREPARATION

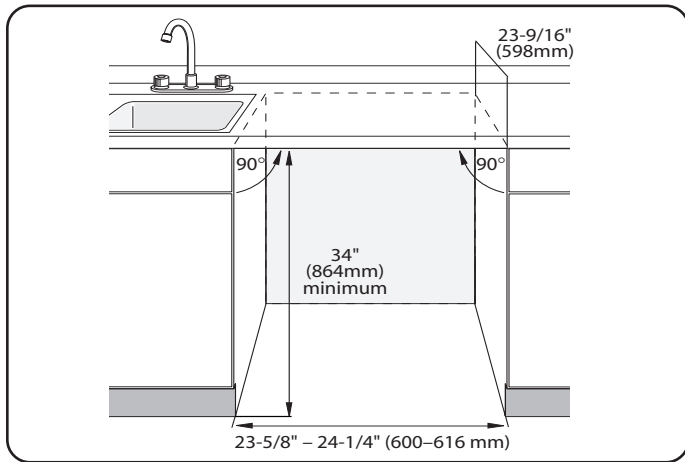


Figure 2

NOTE: This dishwasher is designed to be enclosed on the top and both sides by standard residential kitchen cabinetry.

Select a location as close to the sink as possible for easy access to water supply and drain lines.

For proper dishwasher operation and appearance, ensure that the enclosure is square and has the dimensions shown in Figure 2.

If the dishwasher is to be installed in a corner, make sure that there is adequate clearance to open the door, as shown in Figure 3, letter A.

⚠ WARNING: ELECTRICAL SHOCK/FIRE HAZARD - Do not allow the electrical and water supply lines to touch. Separate channels are provided under the dishwasher (see page 10).

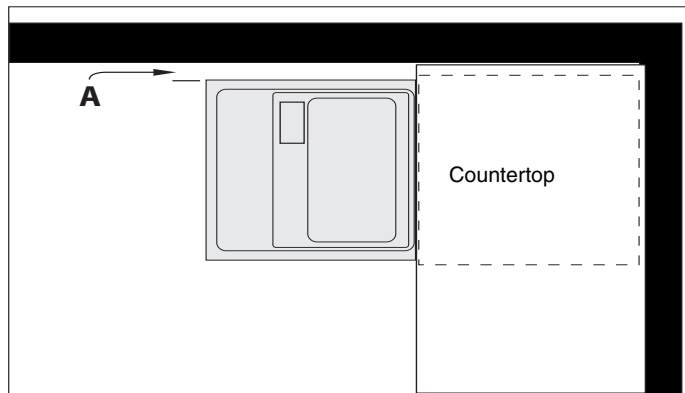


Figure 3

If the enclosure requires openings for the electrical supply cable, hot water supply line, and dishwasher drain hose, place them within the dimensions shown by the shaded area of Figure 4 to avoid interference with the dishwasher frame or other components. Make the openings for the electrical supply cable and hot water supply line 1" (25.4mm) diameter. Make the opening for the dishwasher drain hose 1-1/4" (32mm) diameter. If the openings are made through wood, sand them smooth. If the openings are made through metal, make them large enough to accommodate grommets or other protective sheaths with inside diameters of 1" (25.4mm) for the electrical supply cable and the hot water supply line, and 1-1/4" (32mm) for the dishwasher drain hose.

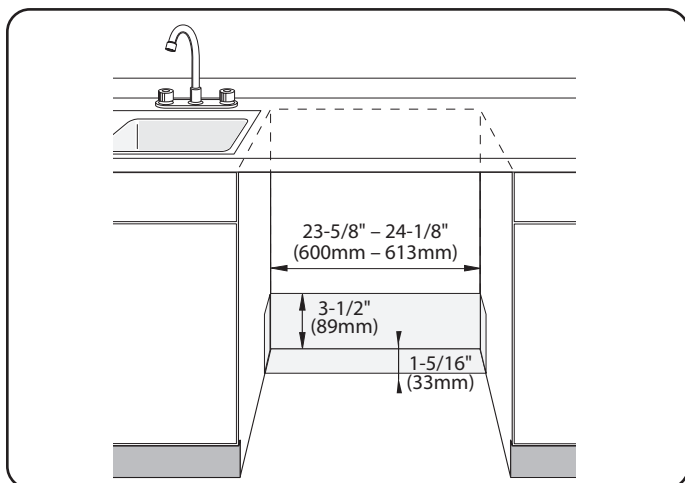


Figure 4

ELECTRICAL PREPARATION

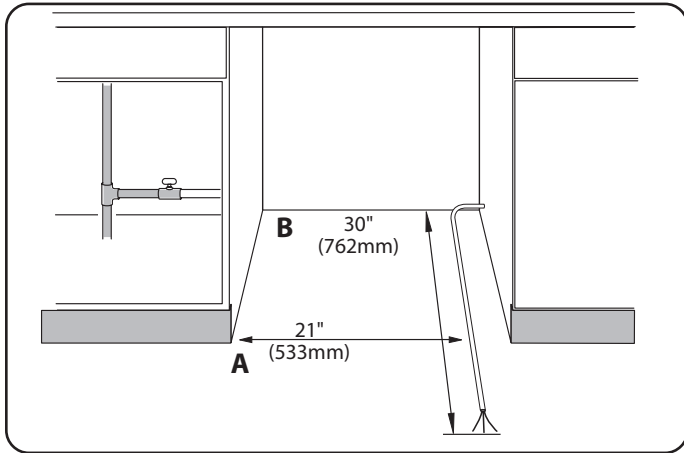


Figure 5

⚠ WARNING: ELECTRICAL SHOCK HAZARD - Working on an energized circuit could result in serious injury or death. Only qualified electricians should perform electrical work. Do not attempt any work on the dishwasher electric supply circuit until you are certain the circuit is de-energized.

⚠ WARNING: FIRE HAZARD - Improper electrical work can cause fire. Only qualified electricians should perform electrical work.

Electrical Supply

The customer has the responsibility of ensuring that the dishwasher electrical installation is in compliance with all national and local electrical codes and ordinances. The dishwasher is designed for an electrical supply of 120V, 60 Hz, AC, connected to a dishwasher-dedicated, properly grounded electrical circuit with a fuse or breaker rated for 15 amps. If the dishwasher is connected with a food disposer, a 20 amp (and no higher) fuse or circuit breaker may be used. Electrical supply conductors shall be a minimum #14 AWG copper wire.

Regardless of where the electrical supply cable enters the enclosure (following the guidelines on page 8), position the cable 21" (533mm) from the enclosure's left side, as shown in Figure 5, letter A. Extend the cable 30" (762mm) from the enclosure's back, as shown in Figure 5, letter B.

Remove 3" - 4" (75mm - 100mm) of the cable's outer casing, as shown in Figure 6, letter C, then remove 3/8" - 1/2" (9 - 13mm) of insulation from each conductor, as shown in Figure 6, letter D.

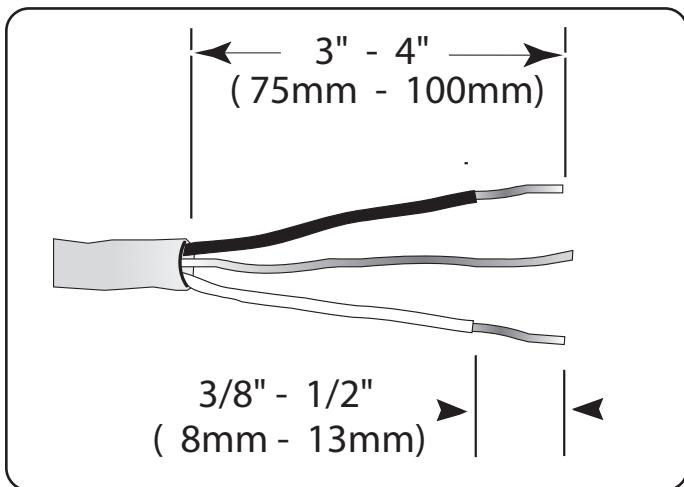


Figure 6

Dishwasher Electrical Rating

Volts	Hertz	Amperes	Watts
120	60	15	1,450 (max)

PLUMBING PREPARATION

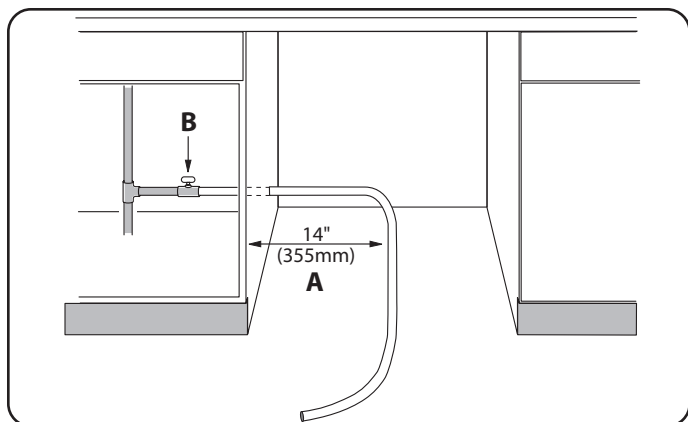


Figure 7

⚠ WARNING: SCALD HAZARD - Serious injury could result if work is performed on a charged hot water line. Only qualified plumbers should perform plumbing work. Do not attempt any work on the dishwasher hot water supply plumbing until you are certain the hot water supply is shut off.

CAUTION: Temperatures required for soldering and sweating will damage the dishwasher's base and water inlet valve. If plumbing lines are to be soldered or sweated, keep the heat source at least 6 inches (152.4 mm) away from the dishwasher's base and water inlet valve.

Hot Water Supply

The hot water heater should be set to deliver approximately 120° F (49° C) water to the dishwasher. Water that is too hot can cause some detergents to lose effectiveness. Lower water temperatures will increase run times.

The hot water supply pressure must be between 15 - 145 psi (1 - 10 bars).

Hot Water Supply Plumbing

Install an easily accessible shut-off valve (not supplied) in the hot water supply line, as shown in Figure 7, letter B.

All solder connections must be made before the water line is connected to the dishwasher's water inlet valve. Water may also be supplied to the dishwasher by using a braided hose line. Check with your local plumbing supply sources for the proper hose and 90° elbow fitting.

NOTE: Regardless of where the hot water supply line enters the enclosure (following the guidelines on page 8), position the line 14" (355mm) from the enclosure's left side, as shown in Figure 7, letter A.

NOTE: Decide whether braided hose or copper tubing will be used for the hot water supply plumbing, and purchase the correct type of hot water supply shut-off valve, 90° elbow, and necessary fittings for the hot water supply plumbing.

(Continued on next page)

PLUMBING PREPARATION (continued)

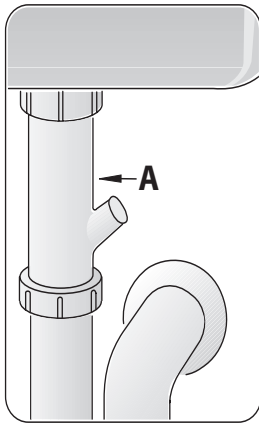


Figure 8

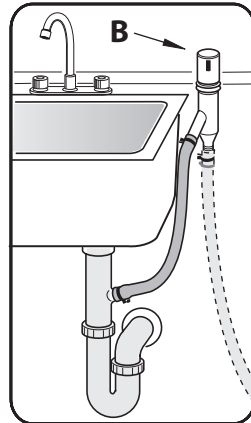


Figure 9

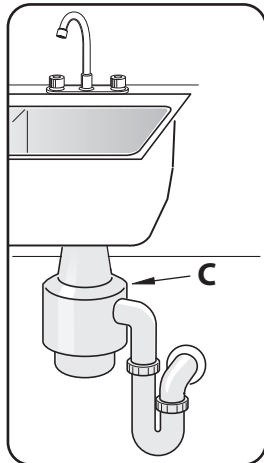


Figure 10

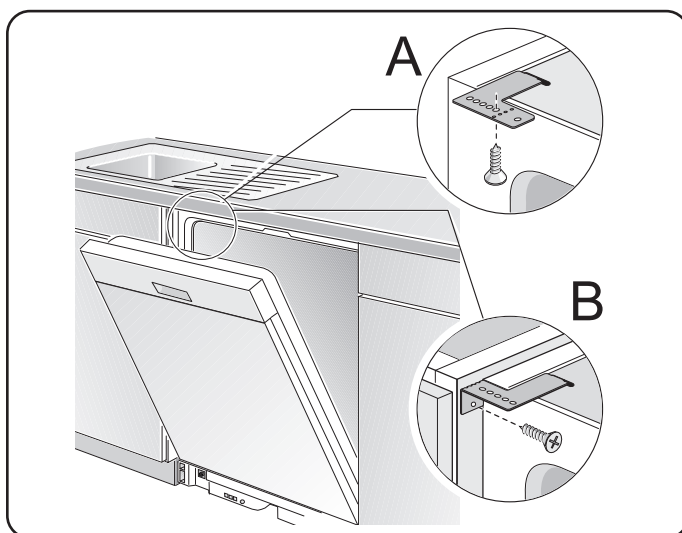


Figure 11

Drain Plumbing

Dishwasher Connection Piece

If the dishwasher is to drain either directly into the household drain plumbing or through an air gap, install a dishwasher connection piece under the sink, as shown in Figure 8, letter A.

Installing an Air Gap

If local ordinances require an air gap, as shown in Figure 9, letter B, install it according to the manufacturer's instructions.

Disposer

If a disposer is to be installed, as shown in Figure 10, letter C, install it according to the manufacturer's instructions. Whether the disposer is newly installed or existing, remove the disposer's dishwasher drain connection plug.

DISHWASHER PREPARATION

Dishwasher preparation involves four tasks:

- Installing the Mounting Brackets
- Removing the Toe Panel
- Installing the 90° elbow fitting
- Junction Box Preparation

Installing the Mounting Brackets

CAUTION: Before installing the supplied mounting brackets (letter E in the Materials Supplied section of this manual), decide which method of securing the dishwasher into its enclosure will be used. Once the mounting brackets are installed on the dishwasher, removing them is difficult and will damage the mounting brackets and the dishwasher.

The dishwasher can be secured into its enclosure in two ways:

1. **Top Mount** is used for countertops made of wood or other materials that can easily be drilled. Orient the mounting brackets as shown in Figure 11, letter A, and position the two small tabs on the mounting brackets over the two slots on the dishwasher's front corners. Push the mounting brackets down firmly to insert the tabs into the slots.
2. **Side Mount** is used for countertops made of marble, granite, or other very hard materials that cannot be easily drilled. Bend the mounting brackets along the small holes and in the same direction as the two small tabs. Orient the mounting brackets as shown in Figure 11, letter B, and position the two small tabs on the mounting brackets over the two slots on the dishwasher's front corners. Push the mounting brackets down firmly to insert the tabs into the slots.

DISHWASHER PREPARATION (continued)

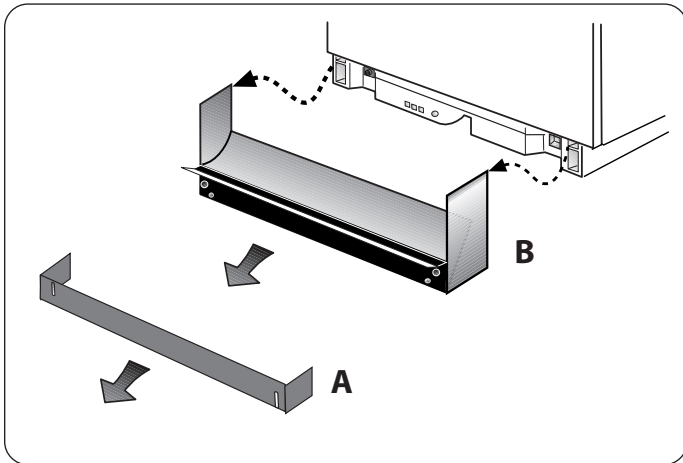


Figure 12

Removing the Toe Panel DWHD94BF Regular Toe Panel

The toe panel is loosely attached with tape. Remove the tape and pull the toe panel away from the dishwasher. Set the toe panel aside. It will be reinstalled later.

DWHD94BP and DWHD94BS Base and Toe Panel

The base and toe panel are in place on the dishwasher, but are not attached. Remove the toe panel first, as shown in Figure 12, letter A, then remove the base, as shown in Figure 12, letter B.

Installing the 90° Elbow Fitting

NOTE: The 90° elbow fitting is not supplied with the dishwasher, and must be purchased separately. If the dishwasher's hot water supply line is to be copper tubing, make certain the elbow has a compression fitting.

Apply Teflon tape or other pipe sealant when required.

Orient the hot water supply connection leg of the elbow toward the channel opening in the dishwasher base.

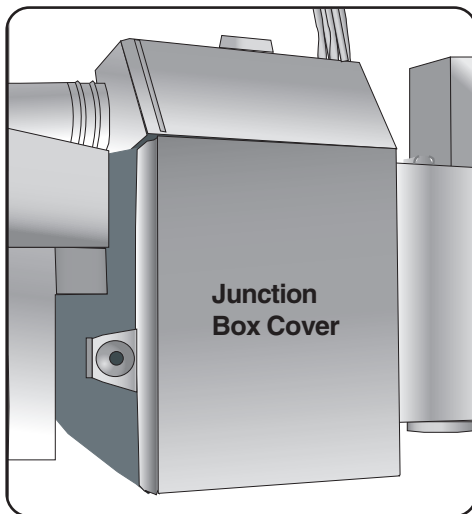


Figure 13

Junction Box Preparation

1. Remove junction box cover, Figure 13, by lifting the junction box cover up and off.
2. Remove the strain relief plate by removing the screw at the back of the junction box, as shown in Figure 14, letter D and sliding the strain relief plate out.
3. Set the junction box cover, strain relief plate, and screw aside. They will be re-installed later.

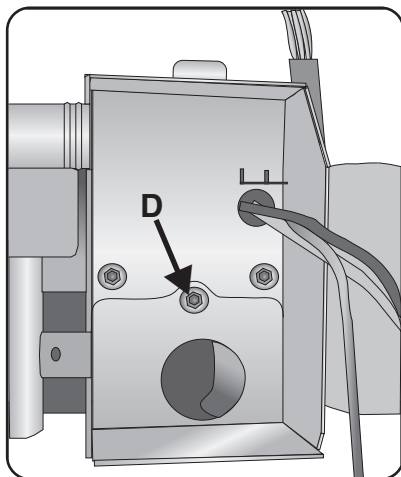


Figure 14

DOOR PANEL INSTALLATION

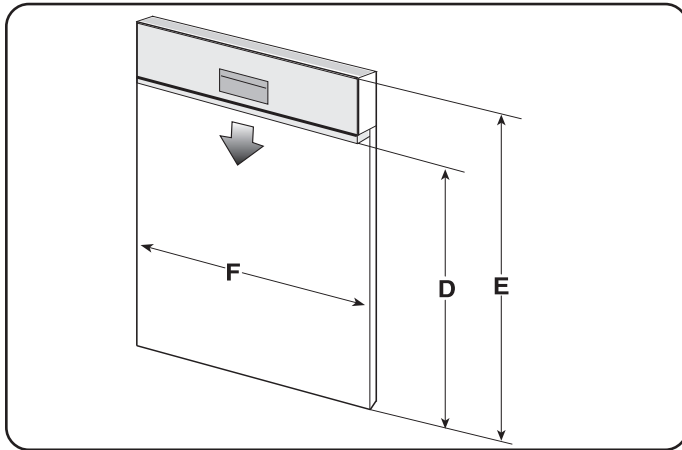


Figure 15

DWHD94BF - Panel Installation

DWHD94BF models come with additional mounting hardware and a template sheet that will show you how to mount the panel. One side of the template shows how to mount a one piece panel; the other side shows how to mount a two piece panel. Decide which type of installation you want before proceeding with the installation. See Figure 15.

Fig. 15 Dimension	Panel Dimension
D	20 11/16" - 25" (526mm - 635mm)
E	27 3/16" - 30 5/16" (690mm - 770mm)
F	23 3/16" - 23 3/8" (589mm - 594mm)

PLACING THE DISHWASHER

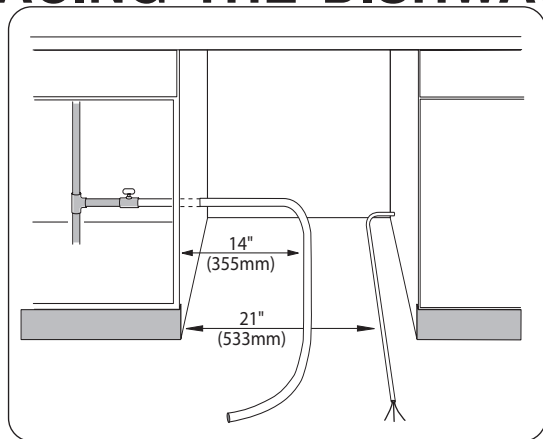


Figure 16

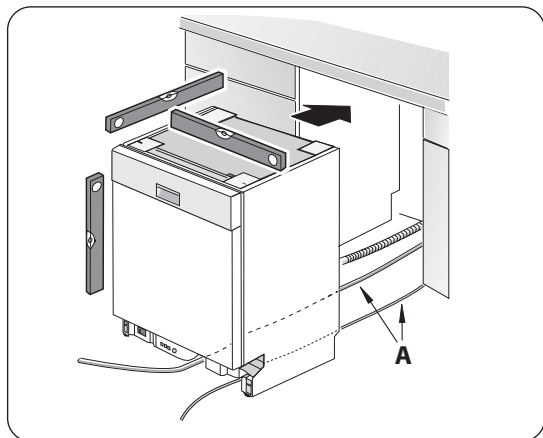


Figure 17

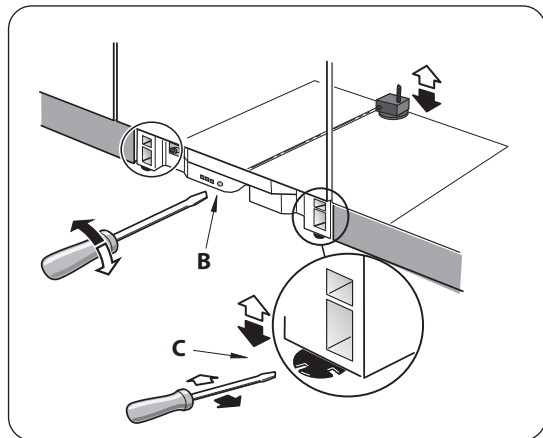


Figure 18

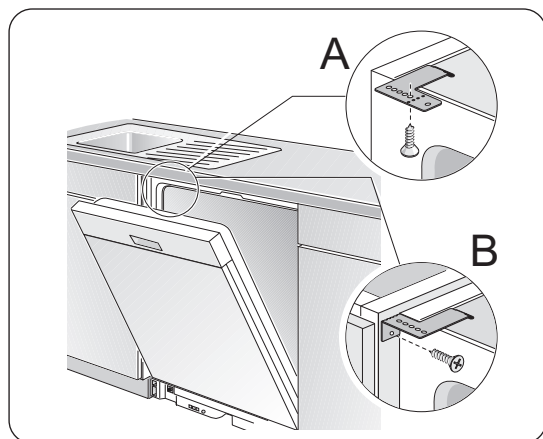


Figure 19

1. Straighten and position the hot water supply line and the electrical supply cable as shown in Figure 16 so that they will align with their channels under the dishwasher base.
2. Position the dishwasher close enough to the enclosure so that you can run the dishwasher drain hose to the under sink drain connection. Make certain that the hot water supply line and the electrical supply cable are in their channels under the dishwasher base, as shown in Figure 17, letter A.
3. Place the dishwasher directly in front of the enclosure.
4. Perform a level check as shown in Figure 17. Adjust the rear leveler by turning the center screw at the front of the dishwasher, as shown in Figure 18, letter B. Turning the screw clockwise raises the rear of the dishwasher. Adjust the front levelers by turning them with a screwdriver, as shown in Figure 18, letter C. Turning the levelers to the right raises the dishwasher. If additional height is needed, shims may be added under the leveler feet.
5. Push the dishwasher into the enclosure.

SECURING THE DISHWASHER

Drive the mounting screws through the holes in the mounting brackets, as shown in Figure 19, letter A for Top Mount, or as shown in Figure 19, letter B for Side mount.

DRAIN HOSE CONNECTION

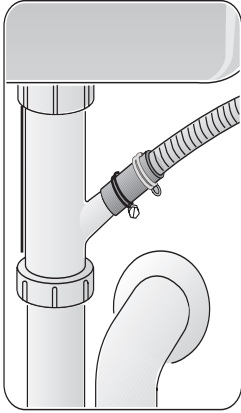


Figure 20

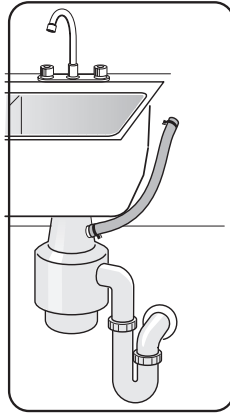


Figure 21

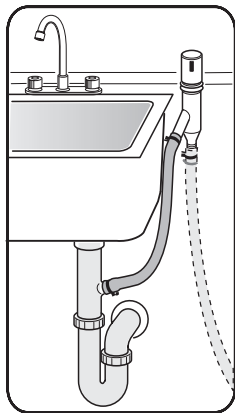


Figure 22

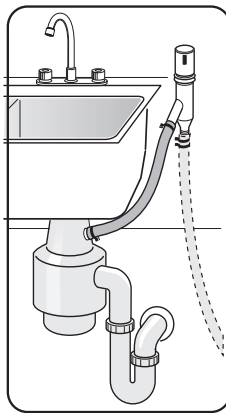


Figure 23

The dishwasher drain hose may be connected to the drain plumbing in one of four ways:

1. Directly to the undersink dishwasher drain connection, as shown in Figure 20.
2. Directly to a disposer dishwasher drain connection, as shown in Figure 21.
3. To the undersink dishwasher drain connection through an air gap, as shown in Figure 22.
4. To a disposer dishwasher drain connection through an air gap, as shown on Figure 23.

Information on installing air gaps and disposers can be found in the Plumbing Preparation section of this manual.

NOTE: If the dishwasher drain hose is to be connected to a disposer dishwasher drain connection, remove the plug from the disposer's dishwasher drain connection. Use the supplied Rubber Connection Hose and Drain Hose Clamps (letter G in the Materials Supplied section of this manual) to connect the dishwasher drain hose to the plumbing drain connection. Use the spring clamp to secure the Rubber Connection Hose to the dishwasher drain hose. Use the screw clamp to secure the Rubber Connection Hose to the plumbing drain connection. If the dishwasher drain hose is connected directly to either an undersink dishwasher drain connection, as shown in Figure 20, or to a disposer dishwasher drain connection, as shown in Figure 21, form a curve in the dishwasher drain hose and secure a portion of the curve at least 20" (508mm) above the cabinet floor.

HOT WATER CONNECTION

⚠ WARNING: SCALD HAZARD - Working on a charged hot water line could result in serious injury or death. Do not attempt any work on the dishwasher hot water supply plumbing until you are certain the hot water supply is shut off.

NOTE: Make certain that the correct 90° elbow fitting (not supplied) for the hot water supply line has been purchased and installed on the dishwasher as described in the Dishwasher Preparation section of this manual.

The hot water supply line may be connected to the dishwasher in one of two ways:

1. With braided hose
2. With copper tubing

Braided Hose

After connections are made turn on the hot water supply to check for leaks.

Copper Tubing

CAUTION: Temperatures required for soldering and sweating will damage the dishwasher's water inlet valve. If plumbing lines are to be soldered or sweated, keep the heat source at least 6 inches (152.4 mm) away from the dishwasher's water inlet valve.

- If using a solder joint instead of a compression fitting, be sure to make all solder connections before connecting the water line to the dishwasher.
- Make certain there are no sharp bends or kinks in the water line that might restrict water flow.
- Be sure to use pipe thread compound or Teflon tape to seal the connection when required.
- Before connecting the copper hot water supply line to the dishwasher, flush it with hot water to clear any foreign material.
- Turn on the water supply to check for leaks after making connections.

ELECTRICAL CONNECTION

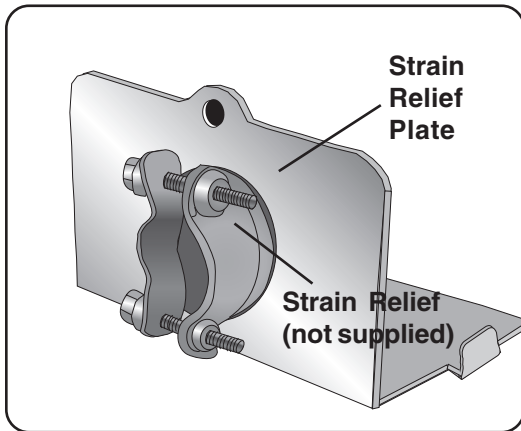


Figure 24

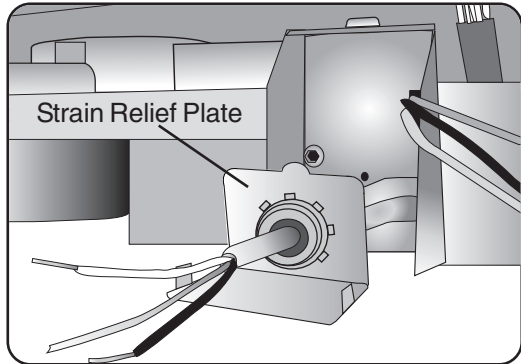


Figure 25

⚠ WARNING: ELECTRICAL SHOCK HAZARD - Working on an energized circuit could result in serious injury or death. Only qualified electricians should perform electrical work. Do not attempt any work on the dishwasher electric supply circuit until you are certain the circuit is de-energized.

⚠ WARNING: FIRE HAZARD - Improper electrical work can cause fire. Only qualified electricians should perform electrical work.

Grounding Instructions

The dishwasher must be properly grounded before operating. This appliance must be connected to a grounded metal permanent wiring system, or an equipment grounding conductor must be run with the circuit conductors and connected to the equipment grounding terminal or lead on the dishwasher. Make sure that the dishwasher is connected to a suitable ground in compliance with all local codes or, in the absence of a local code, with the NATIONAL ELECTRICAL CODE in the United States or the CANADIAN ELECTRIC CODE C22.1-latest edition in Canada as well as any provincial/state or municipal or local codes that apply.

1. Retrieve the strain relief plate, and install a strain relief (not supplied) into the opening on the strain relief plate. **NOTE:** Orient the strain relief as shown in Figure 24.
2. Pass the electrical supply cable through the strain relief, as shown in Figure 25. Leave 3 - 4 inches of insulated wire extending through the strain relief plate.
3. Tighten the strain relief screws.
4. Slide the strain relief plate into the junction box, and secure it to the junction box with the supplied screw.

(Continued on next page)

ELECTRICAL CONNECTION (continued)

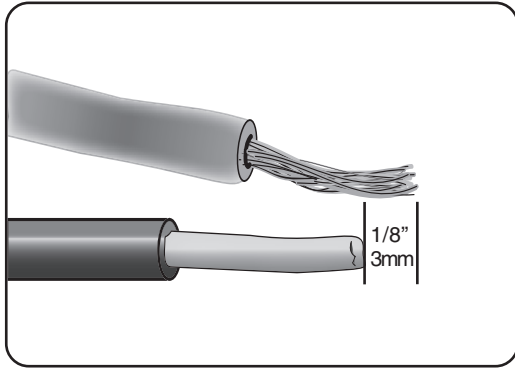


Figure 26

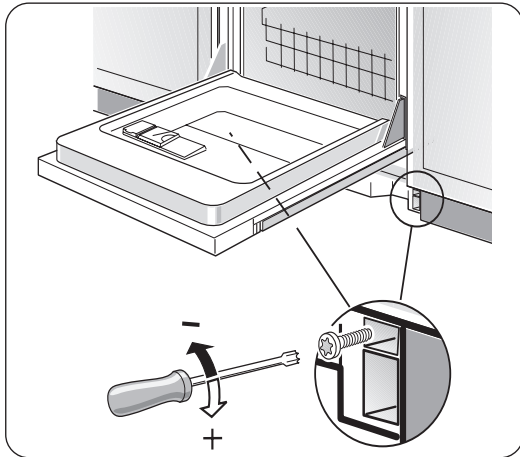


Figure 27

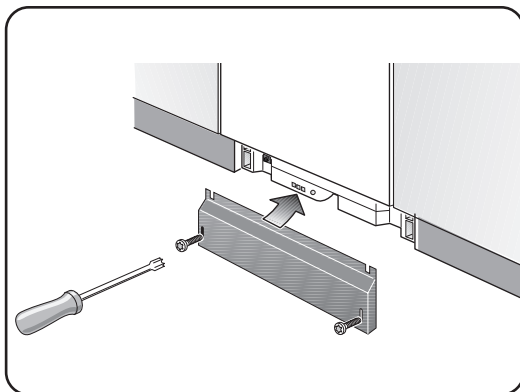


Figure 28

⚠ WARNING: FIRE HAZARD - loose or improper electrical connections can cause fire. Make certain that all electrical connections are properly made.

- Do not pre-twist the wires before connecting them with wire nuts.
 - Extend the dishwasher's stranded wires 1/8" (3mm) beyond the power supply cable's solid wires, as shown in Figure 26.
5. Using the supplied wire nuts, connect the electrical supply wires to the dishwasher's wires, black to black, white to white, and green or bare to green or bare. Make certain that the insulated wires show no bare wire from the bottoms of the wire nuts. Gently tug the wires to make certain they are securely connected.
 6. Press the wires into the junction box. Make certain that the wire nuts do not loosen.
 7. Place the cover on the junction box and secure it to the junction box with the supplied screw.

DOOR TENSION ADJUSTMENT (only on DWHD94BF)

After the dishwasher is installed, open and close the door several times to make sure that it does so with ease. If the door closes too quickly or if the door falls open, the spring tension needs to be adjusted.

To Adjust the Spring Tension:

1. Obtain the provided Door Tension Screws (Figure 1, letter K) from the DWHD94BF parts bag.
2. Insert the screws as shown in Figure 27. Turning the screw clockwise increases the spring tension. Turning the screws counter-clockwise decreases the spring tension.

BASE AND TOE PANEL

Regular Toe Panel Installation

Use the toe panel screws (Figure 1, letter D) from the Dishwasher Installation Kit and a Torx screwdriver to install the toe panel as shown in Figure 28.

(Continued on next page)

BASE AND TOE PANEL (Continued)

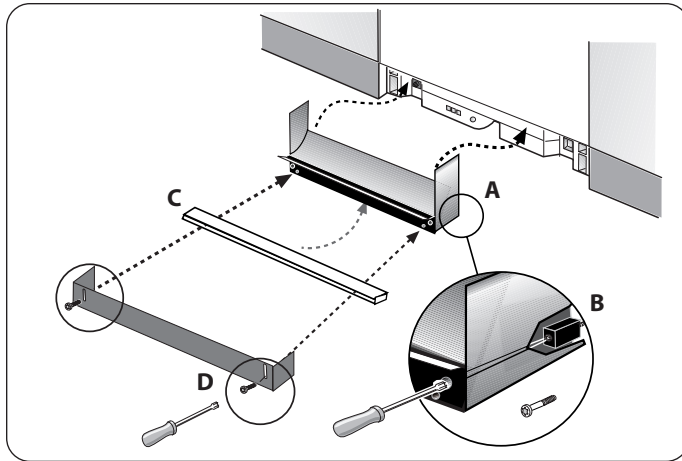


Figure 29

DWHD94BP and DWHD94BS Base and Toe Panel Installation

1. Place the Base Part under and up the front bottom panel of the dishwasher, as shown in Figure 29.
2. Insert the Base Part screws (Figure 1, letter O) into the Base Part, as shown in Figure 29, letter B. Tighten the Base Part Screws.
3. Place the Cotton Insulation Strip (Figure 1, letter C) under the unit, between the bottom of the Base Part and the floor, as shown in Figure 29, letter C.
4. Place the toe panel over the Cotton Insulation Strip, and use the toe panel screws (Figure 1, letter N) to secure the toe panel in place, as shown in Figure 29, letter D.

FINAL INSTRUCTIONS

1. Energize the dishwasher power supply circuit.
2. Consult the Dishwasher Use and Care Manual, and run the dishwasher through one complete cycle.

If the dishwasher does not operate properly, refer to the Self-Help section of the Use and Care Manual. If the dishwasher still does not operate properly, refer to the Customer Service Section of the Use and Care Manual.

CUSTOMER SERVICE

Your Thermador dishwasher requires no special care other than that described in the Care and Cleaning section of the Use and Care Manual. If you are having a problem with your dishwasher, before calling for service please refer to the Self-Help section of the Use and Care Manual. If service is necessary, contact your dealer or installer or an authorized service center. Do not attempt to repair the appliance yourself. Any work performed by unauthorized personnel may void the warranty.

If you are having a problem with your Thermador dishwasher and are not pleased with the service you have received, please take the following steps (in the order listed below) until the problem is corrected to your satisfaction.

1. Contact your installer or the Thermador Authorized Service Contractor in your area.
2. E-mail us from the customer service section of our website, www.thermador.com.
3. Write us at:

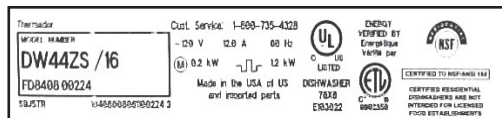
Thermador
5551 McFadden Avenue
Huntington Beach, CA 92649

4. Call us at 1-800-735-4328.

Please be sure to include (if you are writing), or have available (if you are calling), the following information:

- Model number
- Serial number
- Date of original purchase
- Date the problem originated
- Explanation of the problem

Also, if you are writing, please include a daytime phone number where you can be reached. You will find the model and serial number information on the label located on the right-hand side of the inner door of your dishwasher. It will look similar to this:



Please make a copy of your invoice and keep it with this manual.

Free Manuals Download Website

<http://myh66.com>

<http://usermanuals.us>

<http://www.somanuals.com>

<http://www.4manuals.cc>

<http://www.manual-lib.com>

<http://www.404manual.com>

<http://www.luxmanual.com>

<http://aubethermostatmanual.com>

Golf course search by state

<http://golfingnear.com>

Email search by domain

<http://emailbydomain.com>

Auto manuals search

<http://auto.somanuals.com>

TV manuals search

<http://tv.somanuals.com>