



DISHWASHERS

PROFESSIONAL SERIES, MASTERPIECE® SERIES & CUSTOM PANEL

Discerning cooking enthusiasts demand dish care solutions that meet the high standards they set for their cooking appliances. With this latest collection of dishwashers, Thermador delivers without question. There are eight models to choose from, each able to accommodate anything from large pots and pans to a record number of crystal wine glasses, ideal for the host who entertains frequently. Filled with unique features and innovative technologies that enhance both convenience and cleaning effectiveness, this newest dishwasher collection lives up to our uncompromising standard of performance, consistently delivering superior results.

DISHWASHERS FEATURES & BENEFITS



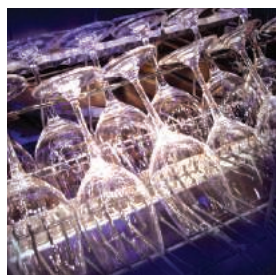
POWER WASH™

The Power Wash option combines powerful water pressure with increased water temperature to deliver the ultimate in heavy-duty washing performance throughout the dishwasher.



HAND WASH PROGRAM

Excellent cycle for delicate or lightly soiled dishes. Delivers superior cleaning results and water efficiency.



CRYSTAL PROTECT™ SYSTEM

Adjusts the water softness during the cycle for perfectly clear crystal, free of water spots.



CHEF'S TOOL DRAWER

Horizontally positions chef's knives, spatulas and other oversized tools for improved cleaning and easier loading and unloading.

DOSAGE ASSIST

Ensures that dishwasher tabs dissolve gradually so there's a constant delivery of detergent for more effective cleaning throughout the cycle.



EXTRA-TALL-ITEM™ SPRINKLER

Sprinkler delivers powerful spray stream to ensure large items can be cleaned – without removing the Chef's Tool Drawer. Cleans items up to 22 inches tall, such as platters and baking sheets, eliminating the need to hand wash.



LARGEST WINE GLASS CAPACITY

Accommodates up to 18 large wine glasses into the top and bottom rack, more than any competing dishwasher.



FINE SILVERWARE CARAFE

Aluminum construction protects valuable sterling silver flatware from damaging oxidation so it can be safely washed in the dishwasher.



SAPPHIRE GLOW™ LIGHT

A sparkling blue light illuminates stemware and brings perfect results to light.

POWERFULLY QUIET™

Advanced engineering makes Thermador Dishwashers so quiet, you won't even notice they're operating. Select models feature a PowerBeam™ light that shines on the floor to let you know the dishwasher is on.

EXTRA DRY OPTION

Higher drying temperature and a longer drying phase delivers superior drying results, even for plastic dishes. Sanitizes 99.9% of bacteria.

MODEL OPTIONS

There are three Thermador Dishwasher Series to choose from—Quartz™ (4-program), Emerald™ (6-program) and Sapphire™ (6-program). Quartz and Emerald models are available with a Masterpiece™ or Professional Handle to perfectly match other Thermador appliances in your kitchen. Sapphire models feature a Professional Handle. All series have a custom panel option to fully integrate with your cabinetry. Be sure to reference the correct model information in this design guide.

INSTALLATION CONSIDERATIONS

The information in this design guide provides key features, product dimensions, cutouts and installation specifications. Before installing a Thermador Dishwasher, be sure to verify the cabinet dimensions, electrical connections and water connections. Also, always consult with the installation manual packed with the product for complete details before installing.

Thermador Dishwashers are designed to be enclosed on the top and both sides by standard residential kitchen cabinetry.

For Quartz and Emerald Dishwashers, opening should be at least 34" high and 24" wide (or 23 5/8" wide with decor strips removed).

For Sapphire Dishwashers, opening should be at least 34 1/4" high and 24" wide. (or 23 5/8" wide with decor strips removed).

If the dishwasher is to be installed in a corner, make sure that there is adequate clearance to open the door.

Select a location as close to the sink as possible for easy access to water supply and drain lines.

Note: Plumbing installations will vary - refer to local codes. The maximum length of the drain hose, including hose leading to air gap (if any) is 150" (381 cm). Ensure a portion of the drain hose is raised at least 20" (51 cm) above the floor to ensure proper draining.

WARRANTY

Limited warranty, entire appliance, parts and labor (1 year)

See page 294 for additional warranty details.

ELECTRICAL SPECIFICATIONS

This appliance must be grounded to a metal, permanent wiring system, or an equipment grounding conductor must be run with the circuit conductors and connected to the equipment grounding terminal or lead on the dishwasher.

MODEL	REQUIRED CIRCUIT BREAKER
DWHD410GFM	120V, 60 Hz , 15 Amp
DWHD410GPR	120V, 60 Hz , 15 Amp
DWHD630GCM	120V, 60 Hz , 15 Amp
DWHD630GCP	120V, 60 Hz , 15 Amp
DWHD630GPR	120V, 60 Hz , 15 Amp
DWHD650GFP	120V, 60 Hz , 15 Amp
DWHD650GPR	120V, 60 Hz , 15 Amp
DWHD651GFP	120V, 60 Hz , 15 Amp

WATER AND ELECTRICAL LOCATIONS

Refer to individual model pages for details on water hook-up and electrical locations.



All Thermador dishwashers are ENERGY STAR® Qualified



Dishwashers are UL and CUL approved.

DISHWASHERS QUARTZ™ 4-PROGRAM

Models: DWHD410GFM, DWHD410GPR



MASTERPIECE HANDLE

DWHD410GFM



CUSTOM PANEL

DWHD410GPR



DWHD410GFM

DWHD410GPR

PERFORMANCE

- Superior Washing and Drying Guaranteed
- ENERGY STAR® Qualified – uses only 300 kWh/y
- Sens-A-Wash® measures water cleanliness and adjusts wash cycle
- Three stage advanced filtration recirculates water for sparkling results
- Delicate cycle protects your delicate china and crystal

DESIGN

- 4-program stainless steel dishwasher with Masterpiece® handle (DWHD410GFM) or custom panel (DWHD410GPR)
- Indestructible quality – each unit is individually tested for your safety

CAPACITY

- Quartz Racks with Manual Rack Adjustment and 6 moveable parts
- Accommodates 14 plate settings for your dinner parties

CONVENIENCE

- Extra-Tall-Item™ Sprinkler allows large items (22" high) to be washed

SAFETY

- Hygiene Dry® eliminates 99.9% of bacteria (NSF certified)
- Leak Protection with Auto Shut-Off Sensor protects against leaks
- Hidden heating element - wash delicate items in the lower rack

SILENCE

- Impressively Quiet® – 52 dBA for peaceful kitchen experience
- Dual Pump System & Triple Layer Insulation for quiet operation

SPECIFICATIONS

Product Width	23 9/16"
Product Height	33 7/8" - 35"
Product Depth	DWHD410GFM - 22 9/16" DWHD410GPR - 21 3/4"
Door Clearance	27"
Cutout Width (Min.)	24" - 24 1/4"
Cutout Height (Min.)	34"
Cutout Depth (Min.)	24"
Variable Height	1 1/8"
Sound Rating	52 dBA
Annual Energy Consumption	300 kWh
Total Amps	12
Electrical Supply	120V/60 Hz
Required Circuit Breaker	15 Amp
Power Cord	Purchase Separately
Water Hose	Purchase Separately
Max. Temp. for Water Intake	120° F
Length Outlet Hose	150"
Shipping Weight (lbs.)	125

ACCESSORIES



DISHWASHER ACCESSORY KIT

SGZ1052UC

Extra-Tall-Item™ Sprinkler, Vase/Bottle Holder,
3 Plastic Item Clips and Small Item Basket



FINE SILVERWARE CARAFE

SMZ5002UC

DISHWASHER SUPPLY & DRAINAGE HOSE EXTENSION

SGZ1010UC

Use to extend drain hose from
100 to 150 inches.

DISHWASHER POWER CORD WITH CONNECTORS

SGZPC001UC

Use to plug dishwasher into an electrical receptacle.



NSF Certified.

INSTALLATION OPTIONS

CUSTOM DOOR PANELS (DWHD410GPR)

Fully integrated models allow you to have a custom door panel made to match your cabinetry. The custom door can be a two-piece configuration to look like a drawer at the top and a cabinet door at the bottom or like a single full-length door. A template is included with the fully integrated models to explain the mounting procedure.

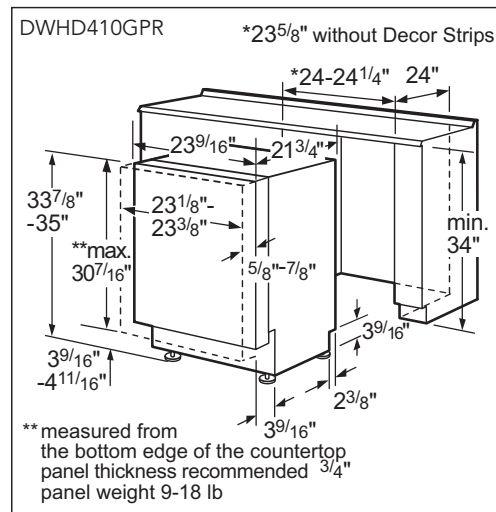
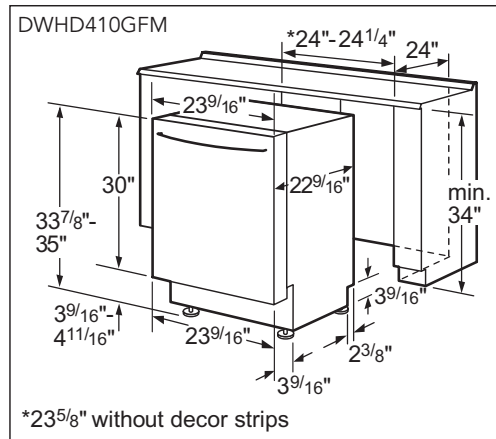
NOTE: The door springs that are included with the fully integrated units will provide proper function for custom door panels weighing between 9 and 15 pounds. Custom door panels weighing up to 18 pounds require the use of the tension adjustment screws.

WATER AND ELECTRICAL LOCATIONS

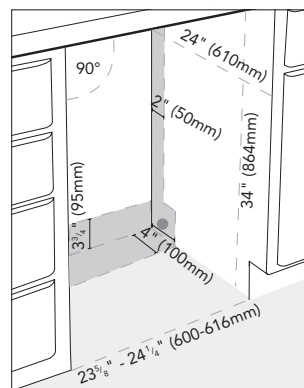
For proper dishwasher operation and appearance, ensure that the enclosure is square and has the dimensions shown. Plumbing and electrical service must enter shaded area.

Make required openings to allow for passage of the water, drain and electrical line. In order to avoid interference with the dishwasher when sliding it into the cabinet, place your openings within the dimensions shown.

DISHWASHER & CUTOUT DIMENSIONS



WATER AND ELECTRICAL LOCATION DIMENSIONS



DISHWASHERS EMERALD™ 6-PROGRAM

Models: DWHD630GCM, DWHD630GCP, DWHD630GPR



MASTERPIECE HANDLE

DWHD630GCM



PROFESSIONAL HANDLE

DWHD630GCP



CUSTOM PANEL

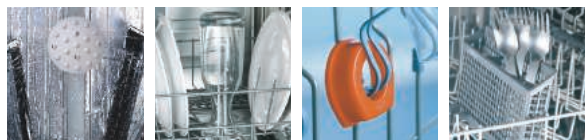
DWHD630GPR



SPECIFICATIONS

Product Width	23 9/16"
Product Height	33 7/8" - 35"
Product Depth	DWHD630GCM - 22 9/16" DWHD630GCP - 22 9/16" DWHD630GPR - 21 3/4"
Door Clearance	27"
Cutout Width (Min.)	24" - 24 1/4"
Cutout Height (Min.)	34"
Cutout Depth (Min.)	24"
Variable Height	1 1/8"
Sound Rating	45 dBA
Annual Energy Consumption	290 kWh
Total Amps	12
Electrical Supply	120V/60 Hz
Required Circuit Breaker	15 Amp
Power Cord	Purchase Separately
Water Hose	Purchase Separately
Max. Temp. for Water Intake	120° F
Length Outlet Hose	150"
Shipping Weight (lbs.)	125

ACCESSORIES



DISHWASHER ACCESSORY KIT

SGZ1052UC

Extra-Tall-Item™ Sprinkler, Vase/Bottle Holder,
3 Plastic Item Clips and Small Item Basket

DWHD630GCM

DWHD630GCP

DWHD630GPR

PERFORMANCE

- Superior Washing and Drying Guaranteed
- ENERGY STAR® Qualified – uses only 290 kWh/y
- Sens-A-Wash® measures water cleanliness and adjusts wash cycle
- Three stage advanced filtration recirculates water for sparkling results
- Delicate cycle protects your delicate china and crystal

DESIGN

- 6-program stainless steel dishwasher with Masterpiece® handle (DWHD630GCM), Professional handle (DWHD630GCP) or custom panel (DWHD630GPR)
- Fine Silverware Carafe protects fine silverware from tarnishing
- 18/10 high-grade stainless steel interior offers long-lasting reliability, never rusts and resists nicks and chips
- Indestructible quality – each unit is individually tested for your safety
- Chiseled door provides strong, bold angles

CAPACITY

- Emerald Racks with Rackmatic® and 14 moveable parts
- Accommodates 14 plate settings for your dinner parties

CONVENIENCE

- Extra-Tall-Item™ Sprinkler allows large items (22" high) to be washed
- Timer offers automatic delay start mode

SAFETY

- Hygiene Dry® eliminates 99.9% of bacteria (NSF certified)
- Leak Protection with Auto Shut-Off Sensor protects against leaks
- Hidden heating element – wash delicate items in the lower rack

SILENCE

- Impressively Quiet® – 45 dBA for peaceful kitchen experience
- PowerBeam® operating indicator lets you know when it is running.
- Dual Pump System & Triple Layer Insulation for quiet operation



FINE SILVERWARE
CARAFE
SMZ5002UC

DISHWASHER SUPPLY &
DRAINAGE HOSE EXTENSION
SGZ1010UC

Use to extend drain hose from
100 to 150 inches.

DISHWASHER POWER CORD WITH CONNECTORS

SGZPC001UC

Use to plug dishwasher into an electrical receptacle.



NSF Certified.

INSTALLATION OPTIONS

CUSTOM DOOR PANELS (DWHD630GPR)

Fully integrated models allow you to have a custom door panel made to match your cabinetry. The custom door can be a two-piece configuration to look like a drawer at the top and a cabinet door at the bottom or like a single full-length door. A template is included with the fully integrated models to explain the mounting procedure.

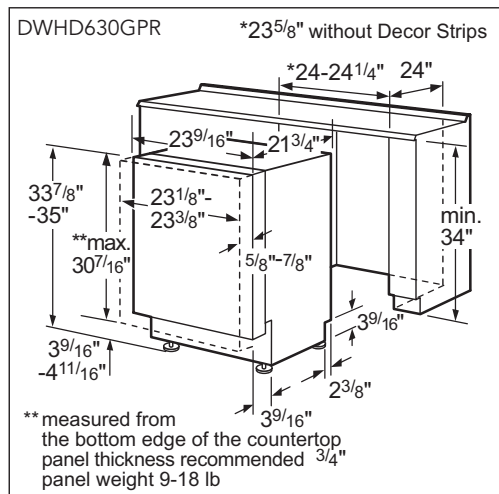
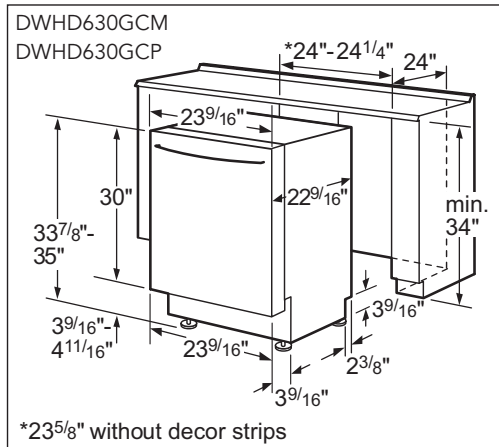
NOTE: The door springs that are included with the fully integrated units will provide proper function for custom door panels weighing between 9 and 15 pounds. Custom door panels weighing up to 18 pounds require the use of the tension adjustment screws.

WATER AND ELECTRICAL LOCATIONS

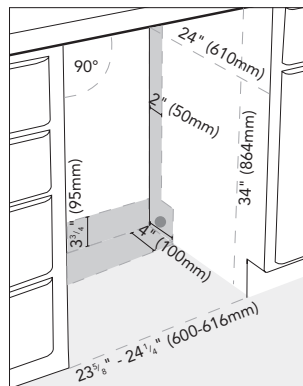
For proper dishwasher operation and appearance, ensure that the enclosure is square and has the dimensions shown. Plumbing and electrical service must enter shaded area.

Make required openings to allow for passage of the water, drain and electrical line. In order to avoid interference with the dishwasher when sliding it into the cabinet, place your openings within the dimensions shown.

DISHWASHER & CUTOUT DIMENSIONS



WATER AND ELECTRICAL LOCATION DIMENSIONS



DISHWASHERS SAPPHIRE™ 6-PROGRAM

Models: DWHD650GFP, DWHD650GPR



PROFESSIONAL HANDLE

DWHD650GFP



CUSTOM PANEL

DWHD650GPR



DWHD650GFP
DWHD650GPR

PERFORMANCE

- Superior Washing and Drying Guaranteed
- Dosage Assist optimizes break down of detergent tablets
- ENERGY STAR® Qualified – uses only 260 kWh/y
- Sens-A-Wash® measures water cleanliness and adjusts wash cycle
- Three stage advanced filtration recirculates water for sparkling results
- Hand Wash cycle protects your delicate china and crystal

DESIGN

- 6-program stainless steel dishwasher with Professional handle (DWHD650GFP) or custom panel (DWHD650GPR)
- Crystal Protection™ System ensures perfect results for fine crystal
- Largest Wine Glass Capacity – 18
- Fine Silverware Carafe protects fine silverware from tarnishing
- Sapphire Glow™ internal light illuminates glassware
- 18/10 high-grade stainless steel interior offers long-lasting reliability, never rusts and resists nicks and chips
- Indestructible quality – each unit is individually tested for your safety
- Heavy-duty quality door and smooth closing latch
- Sapphire LED Lights

CAPACITY

- Sapphire Racks with 3-Step Rackmatic® and 20 moveable parts
- Accommodates 15 plate settings for your dinner parties

CONVENIENCE

- Culinary Tool Drawer™ allows extra capacity of culinary tools
- Extra-Tall-Item™ Sprinkler allows large items (22" high) to be washed
- Timer offers automatic delay start mode

SAFETY

- Hygiene Dry® eliminates 99.9% of bacteria
- Leak Protection with Auto Shut-Off Sensor protects against leaks
- Hidden heating element – wash delicate items in the lower rack

SILENCE

- Impressively Quiet® – 44 dBA for peaceful kitchen experience
- PowerBeam® operating indicator lets you know when it is running.
- Dual Pump System & Triple Layer Insulation for quiet operation

SPECIFICATIONS

Product Width	23 9/16"
Product Height	34 1/16" - 36 7/16"
Product Depth	DWHD650GFP - 22 7/16" DWHD650GPR - 21 5/8"
Door Clearance	27"
Cutout Width (Min.)	24" - 24 1/4"
Cutout Height (Min.)	34 1/4"
Cutout Depth (Min.)	24"
Variable Height	1 3/16"
Sound Rating	44 dBA
Annual Energy Consumption	260 kWh
Total Amps	12
Electrical Supply	120V/60 Hz
Required Circuit Breaker	15 Amp
Power Cord	Included
Water Hose	Included
Max. Temp. for Water Intake	120° F
Length Outlet Hose	150"
Shipping Weight (lbs.)	125

ACCESSORIES



DISHWASHER ACCESSORY KIT

SMZ5000
Extra-Tall-Item™ Sprinkler, Vase/Bottle Holder,
3 Plastic Item Clips and Small Item Basket



**FINE SILVERWARE
CARAFE**
SMZ5002

**DISHWASHER SUPPLY &
DRAINAGE HOSE EXTENSION**
SGZ1010UC
Use to extend drain hose from
100 to 150 inches.



**DISHWASHER
SOFTENER SALT**
SGZ9091UC

INSTALLATION OPTIONS

CUSTOM DOOR PANELS (DWHD650GPR)

Fully integrated models allow you to have a custom door panel made to match your cabinetry. The custom door can be a two-piece configuration to look like a drawer at the top and a cabinet door at the bottom or like a single full-length door. A template is included with the fully integrated models to explain the mounting procedure.

NOTE: The door springs that are included with the fully integrated units will provide proper function for custom door panels weighing between 9 and 18 pounds. No tension adjustment screws are necessary.

WATER AND ELECTRICAL LOCATIONS

For proper dishwasher operation and appearance, ensure that the enclosure is square and has the dimensions shown. Plumbing and electrical service must enter shaded area.

Make required openings to allow for passage of the water, drain and electrical line. In order to avoid interference with the dishwasher when sliding it into the cabinet, place your openings within the dimensions shown.

Sapphire Series Required Openings:

4 1/4" x 2" (108 x 52 mm) - To pass the included electrical supply junction box through to an adjacent cabinet

4" x 2" (100 x 50 mm) - To pass the included water supply line toward the water supply

1 1/4" (32 mm) diameter - To pass the dishwasher drain hose toward the drain connection

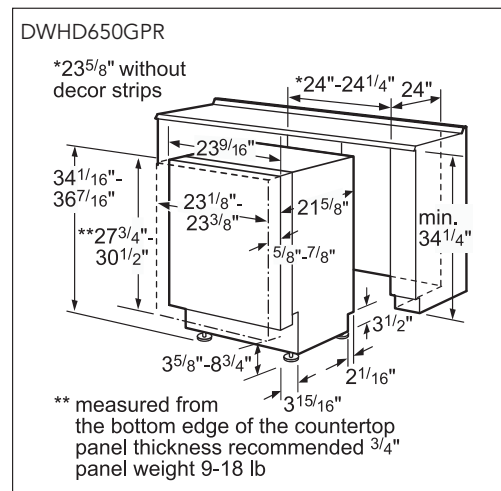
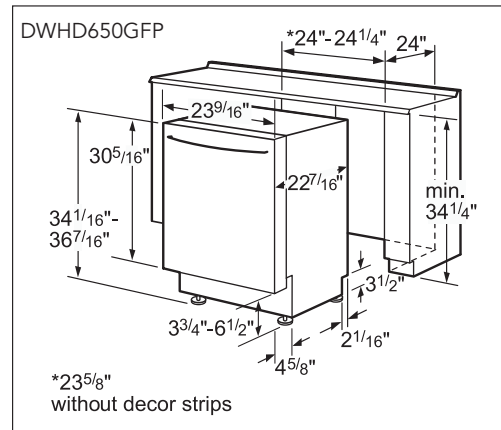
NOTE: If the incoming electric supply, water supply and drain connections are all in the same cabinet, the one 4 1/2" x 2 1/2" hole will be large enough for all three to pass through.

The dishwasher electrical supply junction box and dedicated receptacle must be mounted in an accessible cabinet adjacent to the dishwasher (do not mount the junction box or receptacle behind the dishwasher). You will need a 4 1/4" x 2" (108 x 51 mm) opening through the cabinet in order to pass the junction box through.

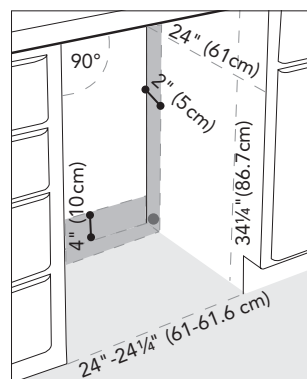
The electrical supply can be connected in one of two ways:

- Use the included three prong plug and junction box to connect to a dedicated household receptacle.
- Permanently connect to household or field wiring

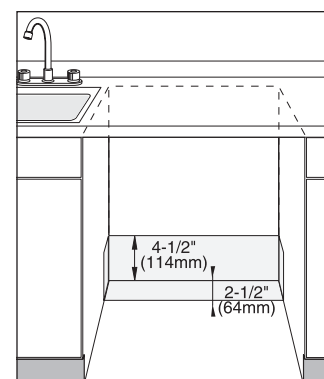
DISHWASHER & CUTOUT DIMENSIONS



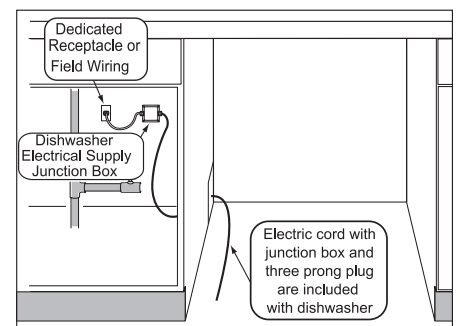
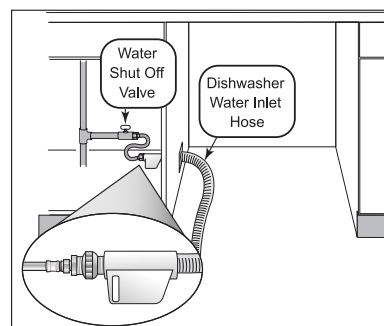
WATER AND ELECTRICAL LOCATION DIMENSIONS



Describes the space (if any) between cabinets and wall



Describes the cutout of adjoining cabinets



DISHWASHERS SAPHIRE™ 6-PROGRAM

Model: DWHD651GFP



PROFESSIONAL HANDLE

DWHD651GFP



SPECIFICATIONS

Product Width	23 9/16"
Product Height	34 1/8" - 36 1/2"
Product Depth	22 7/16"
Door Clearance	27"
Cutout Width (Min.)	24" - 24 1/4"
Cutout Height (Min.)	34 1/4"
Cutout Depth (Min.)	24"
Variable Height	1 3/16"
Sound Rating	41 dBA
Annual Energy Consumption	260 kWh
Total Amps	12
Electrical Supply	120V/60 Hz
Required Circuit Breaker	15 Amp
Power Cord	Included
Water Hose	Included
Max. Temp. for Water Intake	120° F
Length Outlet Hose	150"
Shipping Weight (lbs.)	125

DWHD651GFP

PERFORMANCE

- Superior Washing and Drying Guaranteed
- Dosage Assist optimizes break down of detergent tablets
- Load Sensing System fully automates wash cycle
- ENERGY STAR® Qualified – uses only 260 kWh/y
- Sens-A-Wash® measures water cleanliness and adjusts wash cycle
- Three stage advanced filtration recirculates water for sparkling results
- Hand Wash cycle protects your delicate china and crystal

DESIGN

- 6-program stainless steel dishwasher with Professional handle
- Crystal Protection™ System ensures perfect results for fine crystal
- Largest Wine Glass Capacity – 18
- Fine Silverware Carafe protects fine silverware from tarnishing
- Sapphire Glow™ internal light illuminates glassware
- 18/10 high-grade stainless steel interior offers long-lasting reliability, never rusts and resists nicks and chips
- Indestructible quality – each unit is individually tested for your safety
- Heavy-duty quality door and smooth closing latch
- Sapphire LED Lights

CAPACITY

- Sapphire Racks with 3-Step Rackmatic® and 20 moveable parts
- Accommodates 15 plate settings for your dinner parties

CONVENIENCE

- Culinary Tool Drawer™ allows extra capacity of culinary tools
- Extra-Tall-Item™ Sprinkler allows large items (22" high) to be washed
- Timer offers automatic delay start mode

SAFETY

- Hygiene Dry® eliminates 99.9% of bacteria
- Leak Protection with Auto Shut-Off Sensor protects against leaks
- Hidden heating element – wash delicate items in the lower rack

SILENCE

- Impressively Quiet® – 41 dBA for peaceful kitchen experience
- PowerBeam® operating indicator lets you know when it is running.
- Dual Pump System & Triple Layer Insulation for quiet operation

ACCESSORIES



DISHWASHER ACCESSORY KIT

SMZ5000

Extra-Tall-Item™ Sprinkler, Vase/Bottle Holder, 3 Plastic Item Clips and Small Item Basket



FINE SILVERWARE
CARAFE
SMZ5002

DISHWASHER SUPPLY &
DRAINAGE HOSE EXTENSION
SGZ1010UC
Use to extend drain hose from
100 to 150 inches.



DISHWASHER
SOFTENER SALT
SGZ9091UC

WATER AND ELECTRICAL LOCATIONS

For proper dishwasher operation and appearance, ensure that the enclosure is square and has the dimensions shown. Plumbing and electrical service must enter shaded area.

Make required openings to allow for passage of the water, drain and electrical line. In order to avoid interference with the dishwasher when sliding it into the cabinet, place your openings within the dimensions shown.

Sapphire Series Required Openings:

4 1/4" x 2" (108 x 52 mm) - To pass the included electrical supply junction box through to an adjacent cabinet

4" x 2" (100 x 50 mm) - To pass the included water supply line toward the water supply

1 1/4" (32 mm) diameter - To pass the dishwasher drain hose toward the drain connection

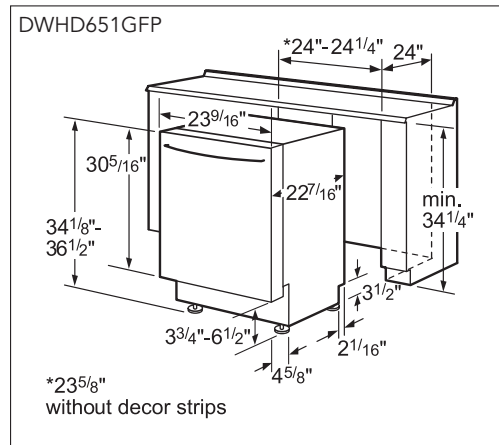
NOTE: If the incoming electric supply, water supply and drain connections are all in the same cabinet, the one 4 1/2" x 2 1/2" hole will be large enough for all three to pass through.

The dishwasher electrical supply junction box and dedicated receptacle must be mounted in an accessible cabinet adjacent to the dishwasher (do not mount the junction box or receptacle behind the dishwasher). You will need a 4 1/4" x 2" (108 x 51 mm) opening through the cabinet in order to pass the junction box through.

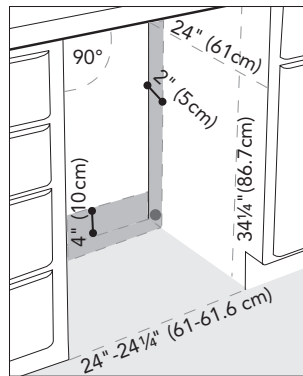
The electrical supply can be connected in one of two ways:

- Use the included three prong plug and junction box to connect to a dedicated household receptacle.
- Permanently connect to household or field wiring

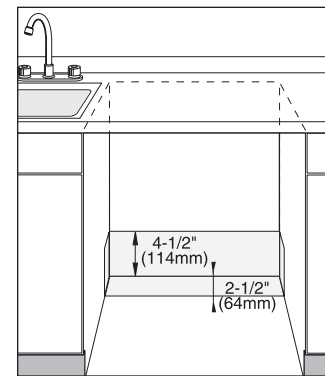
DISHWASHER & CUTOUT DIMENSIONS



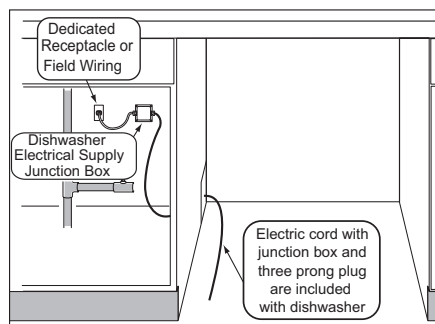
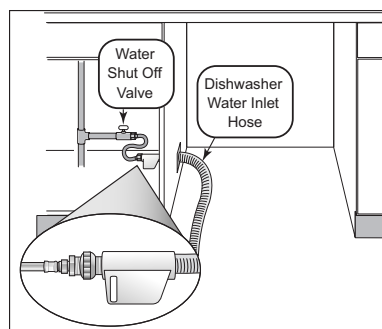
WATER AND ELECTRICAL LOCATION DIMENSIONS



Describes the space (if any) between cabinets and wall



Describes the cutout of adjoining cabinets



Free Manuals Download Website

<http://myh66.com>

<http://usermanuals.us>

<http://www.somanuals.com>

<http://www.4manuals.cc>

<http://www.manual-lib.com>

<http://www.404manual.com>

<http://www.luxmanual.com>

<http://aubethermostatmanual.com>

Golf course search by state

<http://golfingnear.com>

Email search by domain

<http://emailbydomain.com>

Auto manuals search

<http://auto.somanuals.com>

TV manuals search

<http://tv.somanuals.com>