

USE AND CARE MANUAL

Warming Drawer

GUIDE D'UTILISATION ET D'ENTRETIEN

Tiroir réchaud

MANUAL DE USO Y CUIDADO

Cajón calentador

Models/
Modèles /
Modelos:
WD27
WD30

Thermador[®] | *An American Icon*[™]

Table of Contents

About This Manual	1	Cleaning and Maintenance .	6
How This Manual Is Organized	1	Cleaning	6
Safety	1	Maintenance	6
Important Safety Instructions	1	Removing the Drawer	6
Getting Started	3	Replacing the Drawer	6
Parts	3	Getting the Most Out of	
Operation	4	Your Appliance	7
About the Appliance	4	Service	7
Features	4	Data Plate	7
Operation	4	STATEMENT OF LIMITED	
		PRODUCT WARRANTY	8

This Thermador Appliance is made by
BSH Home Appliances Corporation
5551 McFadden Ave.
Huntington Beach, CA 92649

Questions?

1-800-735-4328

www.thermador.com

We look forward to hearing from you!

About This Manual

How This Manual Is Organized


This manual contains several sections:

- The *Safety* section describes important procedures that can ensure your safety while using the appliance.
- The *Getting Started* section describes the features and functionality of the appliance, including a description of how to set it up and operate it.
- The *Operation* section describes how to operate and get the best performance out of each component.
- The *Cleaning and Maintenance* section describes how to clean and maintain the appliance.
- The *Service* section includes troubleshooting tips and your warranty.

Before using your appliance, be sure to read this manual. Pay special attention to the *Important Safety Instructions* located at the beginning of the manual.

Safety

	Important Safety Instructions
	READ AND SAVE THESE INSTRUCTIONS

	WARNING:
	When properly cared for, your new appliance has been designed to be safe and reliable. Read all instructions carefully before use. These precautions will reduce the risk of burns, electric shock, fire and injury to persons. When using kitchen appliances, basic safety precautions must be followed, including those in the following pages.

Proper Installation and Maintenance

Have the installer show you the location of the circuit breaker or fuse. Mark it for easy reference.

This appliance must be properly installed and grounded by a qualified technician. Connect only to a properly grounded outlet. Refer to the Installation Instructions for details.

This appliance is intended for normal family household use only. It is not approved for outdoor use. See the *Warranty*. If you have any questions, contact the manufacturer.

Do not store or use corrosive chemicals, vapors, flammables or nonfood products in or near this appliance. It is specifically designed for use when heating or cooking food. The use of corrosive chemicals in heating or cleaning will damage the appliance and could result in injury.

Do not operate this appliance if it is not working properly, or if it has been damaged. Contact an authorized servicer.

Do not repair or replace any part of the appliance unless specifically recommended in this manual. Refer all servicing to a factory authorized service center.

Fire Safety

Do not use aluminum foil or protective liners to line any part of the appliance, especially the oven bottom. Installing these liners may result in risk of electric shock or fire.

If materials inside an oven should ignite, keep door closed. Turn off the appliance, and disconnect the circuit at the circuit breaker box.

Use this appliance only for its intended purpose as described in this manual. For example, never use the appliance for warming or heating the room. Never use the appliance for storage.

Always have a working smoke detector near the kitchen.

In the event that personal clothing or hair catches fire, drop and roll immediately to extinguish flames.

Smother flames from food fires other than grease fires with baking soda. Never use water on cooking fires.



Important Safety Instructions

READ AND SAVE THESE INSTRUCTIONS

Burn Prevention

Exercise caution when opening the appliance. Standing to the side, open the door slowly and slightly to let hot air and/or steam escape. Keep your face clear of the opening and make sure there are no children or pets near the unit. After the release of hot air and/or steam, proceed with your cooking. Keep doors shut unless necessary for cooking or cleaning purposes. Do not leave open doors unattended.

Do not heat or warm unopened food containers. Build-up of pressure may cause the container to burst and cause injury.

Always use dry potholders. Moist or damp potholders on hot surfaces may result in burns from steam. Do not let potholder touch hot heating elements. Do not use a towel or other bulky cloth.

Do not touch interior surface of the drawer while it is in use. The interior of the drawer could become hot enough to cause burns. Allow drawer and rack (if equipped) to cool before handling.

WARNING:

To prevent burns, do not remove drawer while hot. Be sure drawer is empty before removing.

Secure all loose garments, etc. before beginning. Tie long hair so that it does not hang loose, and do not wear loose fitting clothing or hanging garments, such as ties, scarves, jewelry, or dangling sleeves.

Child Safety

When children become old enough to use the appliance, it is the legal responsibility of the parents or legal guardians to ensure that they are instructed in safe operation of the appliance by qualified persons.

Do not allow anyone to climb, stand, lean, sit, or hang on any part of an appliance, especially a door, warming drawer or storage drawer. This can damage the appliance, and the unit may tip over, potentially causing severe injury.

Do not allow children to use this appliance unless closely supervised by an adult. Children and pets should not be left alone or unattended in the area where the appliance is in use. They should never be allowed to play in its vicinity, whether or not the appliance is in use.

CAUTION:

Items of interest to children should not be stored in an appliance, in cabinets above an appliance or on the backsplash. Children climbing on an appliance to reach items could be seriously injured.

Cookware Safety

CAUTION:

Plastic containers or plastic wrap can melt if in direct contact with the drawer or a hot utensil. If it melts onto the drawer, it may not be removable.

Food Safety

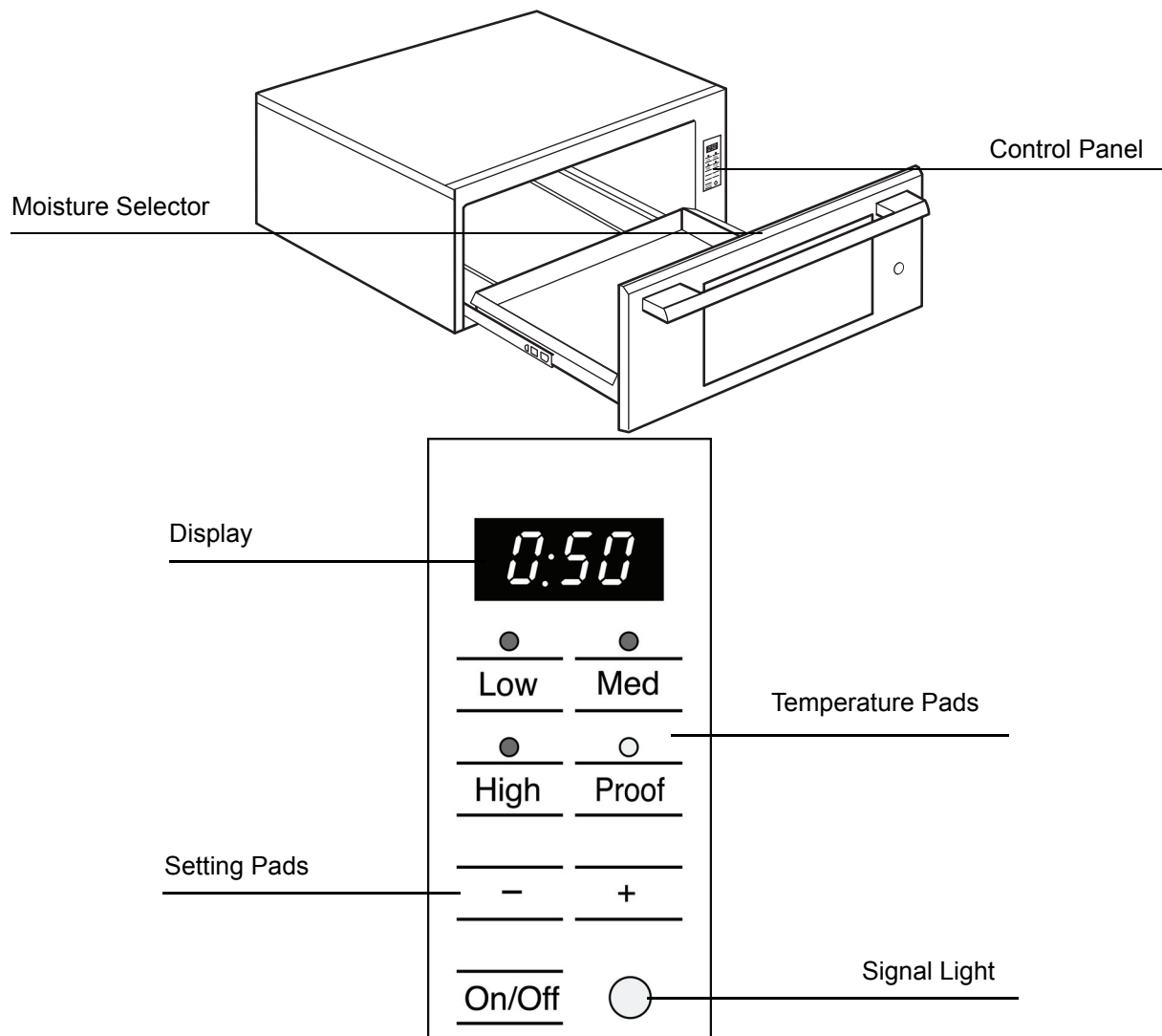
CAUTION:

To maintain food safety, follow these guidelines:

1. DO NOT use the warming drawer to heat cold food (exception: it is safe to use the drawer to crisp crackers, chips or dry cereal and to warm plates).
2. Be sure to maintain proper food temperature. The USDA recommends holding hot food at 140°F or warmer.
3. DO NOT warm food for longer than one hour.

Getting Started

Parts



ON/OFF Pad

Use this pad to switch the warming drawer on and off.

Signal Light

The signal light turns on when the drawer is in use.

Beep

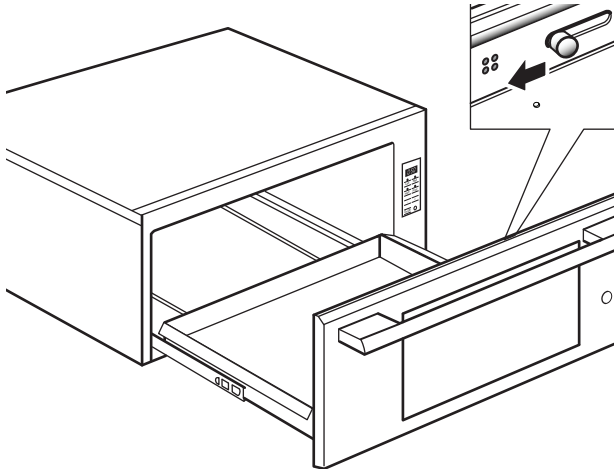
The control panel beeps to confirm an entry. The warming timer beeps when the time has elapsed.

Temperature Pads

The temperature pads control the temperature of the drawer bottom.

Setting	Temperature of Drawer
LOW	140 °F
MED (Medium)	165 °F
HIGH	190 °F
PROOF	100 °F

Moisture Selector



To keep foods moist:

Slide the knob inside the drawer towards “**Moist**”. This closes the vents and seals the moisture inside the drawer. With the vent closed, the drawer is completely sealed which keeps the hot food moist and soft.

To keep foods crisp:

Slide the knob inside the drawer towards “**Dry**”. This opens the vents and allows the moisture to escape.

Operation

About the Appliance

The warming drawer will keep hot, cooked foods at serving temperature. Always start with hot food. **DO NOT** use to heat cold food other than proofing yeast dough, crisping crackers, chips, dry cereal or warming dishes or plates.

Features

Warming Timer

The warming timer can be set for any increment of 5 minutes. The minimum time is 5 minutes and the maximum is 5 hours.

Note:

The warming timer default is 1 hour.

When the time is elapsed, the warming timer beeps and the drawer automatically turns off.

Changing the Warming Timer:

Use the + and - pads to change the warming timer.

Sabbath Mode

The Sabbath Feature enables those of particular faiths to use their ovens on the Sabbath.

- The warming drawer is set to run for 74 hours before automatically turning off.
- While operating in Sabbath Mode, the display will show **SAb**.
- The warming timer cannot be changed once the Sabbath Mode is set.
- Press **ON/OFF** at any time during Sabbath mode to end the mode and turn off the appliance.

Setting the Sabbath Feature


Press **MED** for five seconds.


Note:

Only the MED temperature can be used while in the Sabbath mode. Once the Sabbath mode is set, all buttons are disabled except the **On/Off** button, used to cancel the mode.

Operation

	WARNING:
	Do not use aluminum foil or protective liners to line any part of the appliance, especially the oven bottom. Installation of these liners may result in a risk of electric shock or fire.

	CAUTION:
	To maintain food safety, do not leave food in the oven for more than one hour before or after cooking.

	CAUTION:
	Plastic containers or plastic wrap can melt if in direct contact with the drawer or a hot utensil. If it melts onto the drawer, it may not be removable.

Note:

Use heat-safe dishes only.

Preheating the Warming Drawer

Preheat the warming drawer when warming food. For best results, preheat for the following times:

LOW: 5 minutes

MED: 10 minutes

HIGH: 15 minutes

PROOF: It is not necessary to preheat the drawer.

Warming Food

1. Press the pad for the desired temperature setting.

2. Set the warming timer.
3. Place cooked, hot food in the drawer.

It is okay to leave food in the cookware it was prepared in. Alternatively, you can transfer food to a heat-safe serving dish before placing it in the warming drawer.

Aluminum foil may be used to cover food.

Warming Plates and Bowls

1. Press **LOW**.
2. Set the warming timer.

Proofing

Place dough in desired dish and lightly oil top of dough. Loosely cover with cloth.

1. Press **PROOF**.
2. Set the warming timer.
3. Check dough height. Add time as needed.

Crisping Stale Items

Place food in low sided dishes or pans.

1. Press **LOW**.
2. Preheat for 5 minutes, then place dish in drawer.
3. Set the warming timer.
4. Check crispness after 45 minutes. Add time as needed.


Cleaning and Maintenance

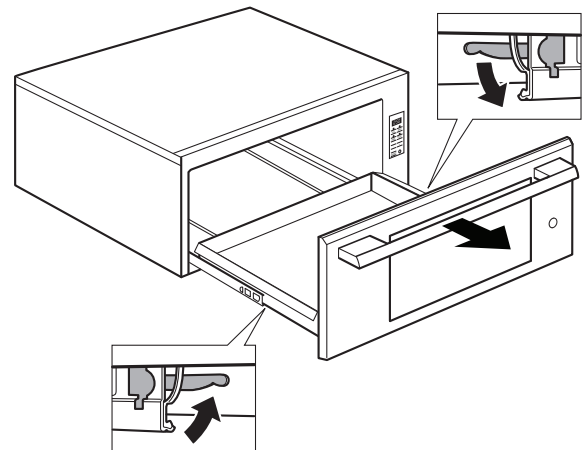
Cleaning

Part	Recommendations
Drawer interior (polished stainless steel)	Use dish detergent. Wash, rinse well and dry. For hard water spots or scale, use white vinegar. Apply with a sponge or cloth, rinse, and dry. Heat Discoloration/Corrosion: Clean with Bar Keeper's Friend® sprinkled on a wet sponge or wet cloth and applied to the wet stainless steel surface. Rub gently and evenly in the direction of the grain. Rinse and dry.
Painted surfaces	Use hot soapy water or mild cleaners such as Fantastik® or Formula 409®. Wash, rinse well and dry. Avoid using abrasive cleaning agents, steel wool pads and oven cleaners.
Drawer exterior frame (brushed stainless steel)	Always wipe or rub in the direction of the grain. Clean with a soapy sponge, then rinse and dry, or wipe with Fantastik® or Formula 409® sprayed on a paper towel. Protect and polish with Stainless Steel Magic® and a soft cloth. Remove water spots with a cloth dampened with white vinegar.
Warming Drawer Control	Clean with hot soapy water or apply Fantastik® or Formula 409® to a clean sponge or paper towel and wipe clean. Avoid using abrasive cleaners and scrubbing pads.

Maintenance

Removing the Drawer

	WARNING:
	To prevent burns, do not remove drawer while hot. Be sure drawer is empty before removing.



1. Pull drawer to fully open position.
2. Press down right drawer clip.
3. Lift up left drawer clip.
4. Firmly pull the drawer straight out. Retract cabinet rails while drawer is removed.

Replacing the Drawer

1. Be sure cabinet rails are pushed inside cabinet.
2. Align the drawer rails with the cabinet rails.
3. Firmly push the drawer straight into the cabinet until drawer clicks into place.
4. Open and close drawer to test operation. Note: if the drawer will not close, verify that the rail clips are properly positioned.

Getting the Most Out of Your Appliance

Temperature Recommendations

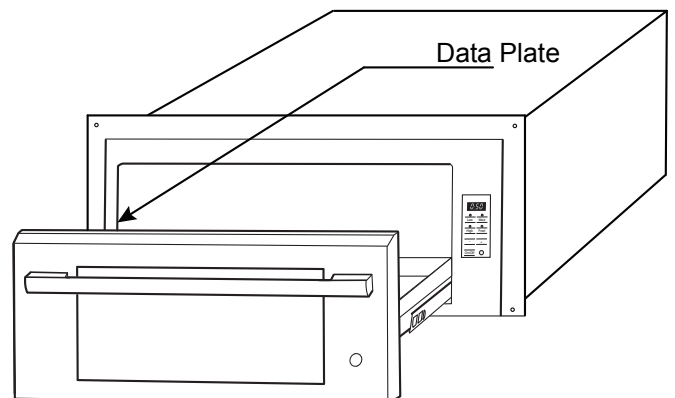
Food/Cookware	Level	Moisture Level			
Proofing yeast dough	PROOF	moist	Ham	MED	moist
Bacon	HIGH	dry	Pancakes	HIGH	moist
Beef, medium and well done	MED	moist	Pies, one crust	MED	moist
Beef, rare	LOW	moist	Pies, two crusts	MED	dry
Bread, hard rolls	MED	dry	Pizza	HIGH	moist
Bread, soft rolls, coffe cakes	MED	moist	Pork	MED	moist
Biscuits	MED	moist	Potatoes, baked	HIGH	moist
Casseroles	MED	moist	Potatoes, mashed	MED	moist
Eggs	MED	moist	Poultry, roasted	MED	moist
Fish, seafood	MED	moist	Vegetables	MED	moist
Fried foods	HIGH	dry	Plates	LOW	dry
Gravy, cream sauces	MED	moist	Plate of food	MED	moist

Service

To reach a service representative, see the contact information at the front of the manual. Please be prepared with the information printed on your product data plate when calling.

Data Plate

The data plate shows the model and serial number. Refer to the data plate on the appliance when requesting service. The data plate is visible on the left side of the cabinet. It may be necessary to remove the drawer to view it.



STATEMENT OF LIMITED PRODUCT WARRANTY

What this Warranty Covers & Who it Applies to

The limited warranty provided by BSH Home Appliances Thermador in this Statement of Limited Product Warranty applies only to the Thermador Warming Drawer sold to you, the first using purchaser, provided that the Product was purchased:

- For your normal, household (non-commercial) use, and has in fact at all times only been used for normal household purposes.
- New at retail (not a display, "as is", or previously returned model), and not for resale, or commercial use.
- Within the United States or Canada, and has at all times remained within the country of original purchase.

The warranties stated herein apply only to the first purchaser of the Product and are not transferable.

Thermador reserves the right to request proof of purchase at the time any warranty claim is submitted to confirm that the Product falls within the scope of this limited product warranty.

Please make sure to return your registration card; while not necessary to effectuate warranty coverage, it is the best way for Thermador to notify you in the unlikely event of a safety notice or product recall.

How Long the Warranty Lasts

Thermador warrants that the Product is free from defects in materials and workmanship for a period of twelve (12) months from the date of purchase. The foregoing timeline begins to run upon the date of purchase, and shall not be stalled, tolled, extended, or suspended, for any reason whatsoever.

Repair/Replace as Your Exclusive Remedy

During this warranty period, Thermador or one of its authorized service providers will repair your Product without charge to you (subject to certain limitations stated herein) if your Product proves to have been manufactured with a defect in materials or workmanship. If reasonable attempts to repair the Product have been made without success, then Thermador will replace your Product (upgraded models may be available to you, in Thermador's

sole discretion, for an additional charge). All removed parts and components shall become the property of Thermador at its sole option. All replaced and/or repaired parts shall assume the identity of the original part for purposes of this warranty and this warranty shall not be extended with respect to such parts. Thermador's sole liability and responsibility hereunder is to repair manufacturer-defective Product only, using a Thermador-authorized service provider during normal business hours. For safety and property damage concerns, Thermador highly recommends that you do not attempt to repair the Product yourself, or use an un-authorized servicer; Thermador will have no responsibility or liability for repairs or work performed by a non-authorized servicer. If you choose to have someone other than an authorized service provider work on your Product, THIS WARRANTY WILL AUTOMATICALLY BECOME NULL AND VOID. Authorized service providers are those persons or companies that have been specially trained on Thermador products, and who possess, in Thermador's opinion, a superior reputation for customer service and technical ability (note that they are independent entities and are not agents, partners, affiliates or representatives of Thermador). Notwithstanding the foregoing, Thermador will not incur any liability, or have responsibility, for the Product if it is located in a remote area (more than 100 miles from an authorized service provider) or is reasonably inaccessible, hazardous, threatening, or treacherous locale, surroundings, or environment; in any such event, if you request, Thermador would still pay for labor and parts and ship the parts to the nearest authorized service provider, but you would still be fully liable and responsible for any travel time or other special charges by the service company, assuming they agree to make the service call.

Out of Warranty Product

Thermador is under no obligation, at law or otherwise, to provide you with any concessions, including repairs, pro-rates, or Product replacement, once this warranty has expired.

Warranty Exclusions

The warranty coverage described herein excludes all defects or damage that are not the direct fault of Thermador, including without limitation, one or more of the following:

- Use of the Product in anything other than its normal, customary and intended manner (including without

limitation, any form of commercial use, use or storage of an indoor product outdoors, use of the Product in conjunction with air or water-going vessels).

- Any party's willful misconduct, negligence, misuse, abuse, accidents, neglect, improper operation, failure to maintain, improper or negligent installation, tampering, failure to follow operating instructions, mishandling, unauthorized service (including self-performed "fixing" or exploration of the appliance's internal workings).
- Adjustment, alteration or modification of any kind.
- A failure to comply with any applicable state, local, city, or county electrical, plumbing and/or building codes, regulations, or laws, including failure to install the product in strict conformity with local fire and building codes and regulations.
- Ordinary wear and tear, spills of food, liquid, grease accumulations, or other substances that accumulate on, in, or around the Product.
- Any external, elemental and/or environmental forces and factors, including without limitation, rain, wind, sand, floods, fires, mud slides, freezing temperatures, excessive moisture or extended exposure to humidity, lightning, power surges, structural failures surrounding the appliance, and acts of God.

In no event shall Thermador have any liability or responsibility whatsoever for damage to surrounding property, including cabinetry, floors, ceilings, and other structures or objects around the Product. Also excluded from this warranty are scratches, nicks, minor dents, and cosmetic damages on external surfaces and exposed parts; Products on which the serial numbers have been altered, defaced, or removed; service visits to teach you how to use the Product, or visits where there is nothing wrong with the Product; correction of installation problems

(you are solely responsible for any structure and setting for the Product, including all electrical, plumbing or other connecting facilities, for proper foundation/flooring, and for any alterations including without limitation cabinetry, walls, floors, shelving, etc.); and resetting of breakers or fuses.

TO THE EXTENT ALLOWED BY LAW, THIS WARRANTY SETS OUT YOUR EXCLUSIVE REMEDIES WITH RESPECT TO PRODUCT, WHETHER THE CLAIM ARISES IN CONTRACT OR TORT (INCLUDING STRICT LIABILITY, OR NEGLIGENCE) OR OTHERWISE. THIS WARRANTY IS IN LIEU OF ALL OTHER WARRANTIES, WHETHER EXPRESS OR IMPLIED. ANY WARRANTY IMPLIED BY LAW, WHETHER FOR MERCHANTABILITY OR FITNESS FOR A PARTICULAR PURPOSE, OR OTHERWISE, SHALL BE EFFECTIVE ONLY FOR THE PERIOD THAT THIS EXPRESS LIMITED WARRANTY IS EFFECTIVE. IN NO EVENT WILL THE MANUFACTURER BE LIABLE FOR CONSEQUENTIAL, SPECIAL, INCIDENTAL, INDIRECT, "BUSINESS LOSS", AND/OR PUNITIVE DAMAGES, LOSSES, OR EXPENSES, INCLUDING WITHOUT LIMITATION TIME AWAY FROM WORK, HOTELS AND/OR RESTAURANT MEALS, REMODELLING EXPENSES IN EXCESS OF DIRECT DAMAGES WHICH ARE DEFINITELY CAUSED EXCLUSIVELY BY THERMADOR, OR OTHERWISE. SOME STATES DO NOT ALLOW THE EXCLUSION OR LIMITATION OF INCIDENTAL OR CONSEQUENTIAL DAMAGES, AND SOME STATES DO NOT ALLOW LIMITATIONS ON HOW LONG AN IMPLIED WARRANTY LASTS, SO THE ABOVE LIMITATIONS MAY NOT APPLY TO YOU. THIS WARRANTY GIVES YOU SPECIFIC LEGAL RIGHTS, AND YOU MAY ALSO HAVE OTHER RIGHTS WHICH VARY FROM STATE TO STATE.

No attempt to alter, modify or amend this warranty shall be effective unless authorized in writing by an officer of BSH.

Table des matières

À propos de ce manuel . . .	1	Tirer le meilleur parti de votre appareil	7
Comment ce manuel est organisé	1	Dépannage	7
Sécurité	1	Plaque signalétique	7
Consignes de sécurité importantes	1	ÉNONCÉ DE LA GARANTIE LIMITÉE	8
Démarrage	3		
Pièces	3		
Fonctionnement	4		
À propos de l'appareil	4		
Fonctionnalités	4		
Fonctionnement	5		
Entretien	6		
Dépose du tiroir	6		
Remise en place du tiroir	6		

Cet appareil Thermador est fabriqué par
BSH Home Appliances Corporation
5551 McFadden Ave.
Huntington Beach, CA 92649

Question ?

1-800-735-4328

www.thermador.com

Nous attendons de vos nouvelles.

À propos de ce manuel

Comment ce manuel est organisé


Ce manuel contient plusieurs sections :

- La section *Sécurité* décrit des procédures importantes qui visent à assurer votre sécurité pendant l'utilisation de l'appareil.
 - La section *Démarrage* décrit les caractéristiques et fonctionnalités de l'appareil et comprend une description de son installation et fonctionnement.
 - La section *Fonctionnement* décrit comment actionner et obtenir le meilleur rendement de chaque composant.
- La section *Nettoyage et Entretien* décrit la façon de nettoyer et d'entretenir l'appareil.
 - La section *Service* comprend les conseils de dépannage et la garantie.

Avant d'utiliser l'appareil, prière de lire attentivement ce manuel. Prêter une attention toute particulière aux Instructions de sécurité importantes situées au début du manuel.

Sécurité

	Consignes de sécurité importantes
	LIRE ET CONSERVER CES CONSIGNES

	Avertissement :
	Votre nouvel appareil a été conçu pour un fonctionnement sûr et fiable si vous en prenez bien soin. Lire attentivement toutes les consignes avant l'emploi. Ces précautions réduiront les risques de brûlures, de choc électrique, d'incendie et de lésions corporelles. Lors de l'utilisation d'appareils de cuisine, il est impératif de respecter les mesures de sécurité élémentaires, y compris celles figurant aux pages suivantes.

Ne pas entreposer ni utiliser de produits chimiques corrosifs, vapeurs, substances inflammables ou produits non alimentaires à l'intérieur ou à proximité de cet appareil. Celui-ci a été spécialement conçu lors du réchauffage et de la cuisson des aliments. L'emploi de produits chimiques corrosifs pour chauffer ou nettoyer l'appareil endommagera ce dernier et peut entraîner des blessures.

Ne pas se servir de cet appareil s'il ne fonctionne pas correctement ou s'il est endommagé. Communiquer avec un centre de réparation autorisé.

Ne pas réparer ni remplacer des pièces de l'appareil à moins que cela ne soit expressément recommandé dans ce manuel. Confier l'entretien de l'appareil à un centre de dépannage agréé.

Installation et entretien corrects

Demander à l'installateur de vous indiquer l'emplacement du coupe-circuit ou du fusible. Identifier sa position pour pouvoir le retrouver facilement plus tard.

L'installation et la mise à la terre correctes de cet appareil doivent être effectuées par un technicien qualifié. Brancher uniquement l'appareil sur une prise correctement reliée à la terre. Pour plus de renseignements, se reporter à la Notice d'installation.

Cet appareil est destiné à un usage domestique familial normal uniquement. Il n'est pas autorisé pour un usage en extérieur. Voir la garantie. Pour toute question, contacter le fabricant.

Sécurité-incendie

Ne pas utiliser de papier aluminium ou de doublure de protection pour revêtir toute partie de l'appareil, et en particulier le fond du four. L'utilisation de ces doublures peut entraîner un risque de choc électrique ou d'incendie.

Si des matériaux s'enflamment à l'intérieur d'un four, ne pas ouvrir la porte. Mettre l'appareil hors tension et débrancher le circuit électrique au boîtier de disjoncteurs.



Consignes de sécurité importantes

LIRE ET CONSERVER CES CONSIGNES

L'appareil doit être utilisé uniquement pour l'usage auquel il est destiné comme décrit dans ce manuel. Par exemple, ne jamais utiliser l'appareil pour réchauffer ou chauffer une pièce. Ne jamais utiliser l'appareil pour entreposer quoi que ce soit.

Toujours avoir un détecteur de fumée qui fonctionne près de la cuisine.

Si les cheveux ou les vêtements s'enflamment, se laisser tomber au sol et se rouler immédiatement par terre pour éteindre les flammes.

Pour éteindre les flammes d'un incendie provoqué par des aliments autre qu'un incendie de graisse, utiliser du bicarbonate de soude. Ne jamais utiliser d'eau.

Prévention des brûlures

Faire attention en ouvrant la porte de l'appareil. Se tenir sur le côté, ouvrir la porte lentement et légèrement pour laisser l'air chaud et/ou la vapeur s'échapper. Éloigner le visage de l'ouverture et s'assurer que les enfants et animaux sont loin de l'appareil. Une fois la vapeur et l'air chaud échappés, continuer la cuisson. Garder les portes fermées sauf pour la cuisson ou le nettoyage. Ne pas laisser les portes ouvertes sans surveillance.

Ne pas chauffer ou réchauffer des contenants d'aliments non ouverts. L'accumulation de pression peut faire exploser le contenant et provoquer des blessures.

Toujours utiliser des poignées isolantes sèches. Des poignées mouillées ou humides entrant en contact avec les surfaces chaudes peuvent provoquer des blessures par dégagement de vapeur. Ne pas laisser les poignées entrer en contact avec les résistances chaudes. Ne pas utiliser de serviette ni de chiffon volumineux.

Ne pas toucher la surface intérieure du tiroir pendant qu'il est en fonctionnement. L'intérieur du tiroir peut devenir suffisamment chaud pour provoquer des brûlures. Laisser refroidir le tiroir et la grille (s'il en est doté) avant de les manipuler.

AVERTISSEMENT :

Pour éviter les brûlures, ne pas retirer le tiroir pendant qu'il est encore chaud. Avant de retirer le tiroir, s'assurer qu'il est vide.

Attacher les vêtements lâches, etc. avant de commencer. Attacher les cheveux longs de façon à ce qu'ils ne pendent pas et ne pas porter de vêtements lâches ou d'habits ou objets qui pendent, tels que cravates, foulards, bijoux ou manches.

Sécurité des enfants

Lorsque les enfants sont assez âgés pour utiliser l'appareil, il incombe aux parents ou tuteurs légaux de veiller à ce qu'ils soient formés aux pratiques sécuritaires liées à l'utilisation de l'appareil par des personnes qualifiées.

Ne laisser personne grimper, se tenir debout, s'appuyer, s'asseoir ou se pendre à toute partie de l'appareil, en particulier la porte, le tiroir-réchaud ou le tiroir de rangement. Ceci peut endommager l'appareil, le faire basculer et provoquer potentiellement des blessures sérieuses.

Ne pas laisser les enfants utiliser cet appareil sans l'étroite surveillance d'un adulte. Enfants et animaux ne doivent pas être laissés seuls ou sans surveillance à l'endroit où l'on utilise l'appareil. Ne pas laisser les enfants jouer à proximité de l'appareil que celui-ci soit en fonctionnement ou non.

ATTENTION

Les articles d'intérêt pour les enfants ne doivent pas être rangés dans un appareil électroménager, dans les armoires au-dessus de l'appareil ou sur le dossier. Un enfant qui grimpe sur l'appareil pour prendre ces objets peut se blesser sérieusement.

Sécurité concernant la batterie de cuisine

ATTENTION

Les contenants en plastique ou le film étirable peuvent fondre s'ils sont mis directement en contact avec le tiroir ou un ustensile chaud. S'ils fondent dans le tiroir, il peut être impossible de les enlever.

Sécurité alimentaire

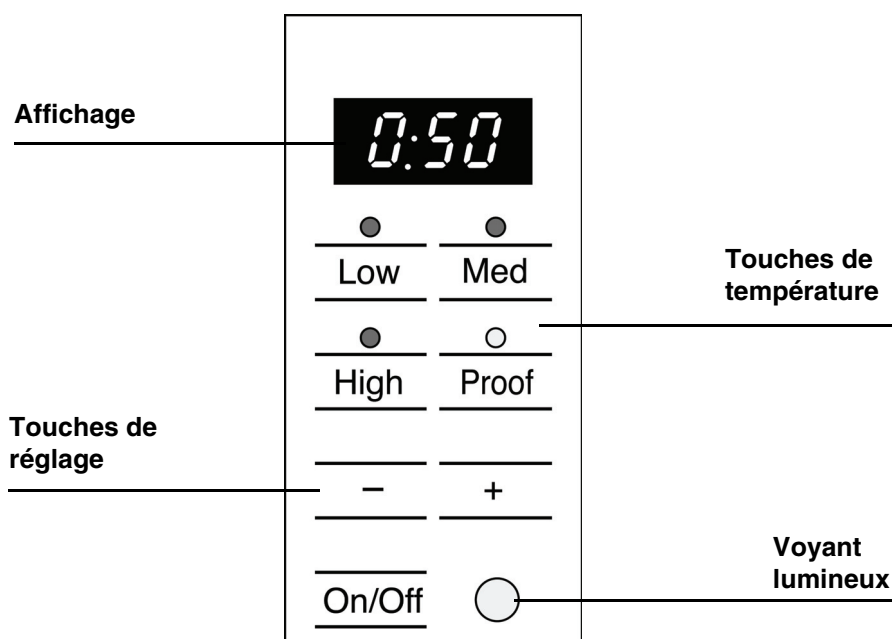
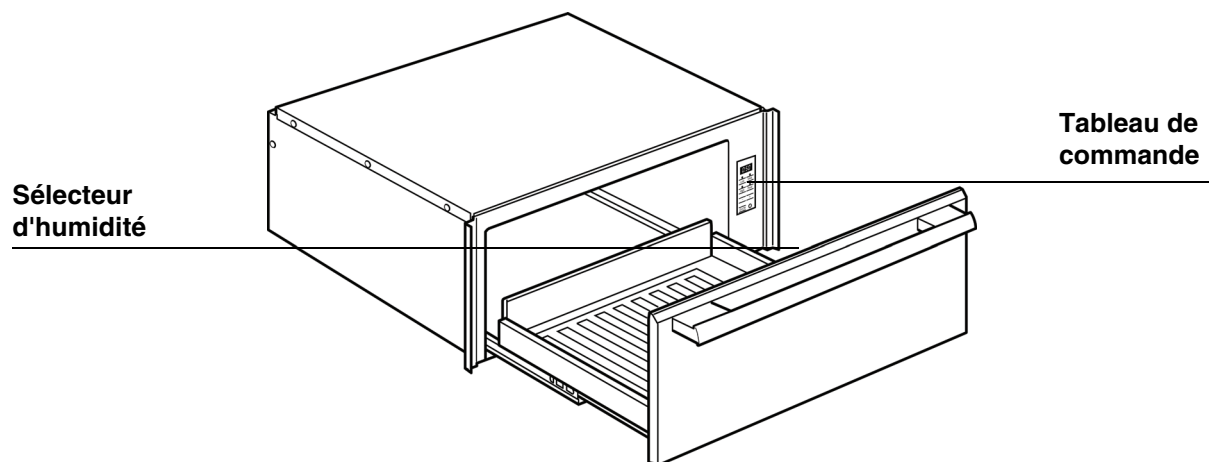
ATTENTION

Pour assurer la sécurité alimentaire, suivre les consignes suivantes:

1. NE PAS utiliser le tiroir-réchaud pour faire chauffer de la nourriture froide (exception : le tiroir peut être utilisé en toute sécurité pour redonner leur croustillant aux biscuits salés, chips et céréales sèches et pour faire chauffer les assiettes).
2. S'assurer de maintenir les aliments à la température adéquate. L'USDA recommande de maintenir les aliments chauds à 140 °F (60 °C) ou plus.
3. NE PAS maintenir des aliments au chaud pendant plus d'une heure.

Démarrage

Pièces



Touche ON/OFF

Utiliser cette touche pour allumer et éteindre le tiroir-réchaud.

Voyant lumineux

Le voyant lumineux s'allume lorsque le tiroir est en fonctionnement. Il clignote lorsque le tiroir est ouvert et indique la fermeture du tiroir.

Signal sonore

Le panneau de commande émet un signal sonore pour confirmer une entrée. La minuterie émet un signal sonore lorsque le temps est écoulé.

Touches de température

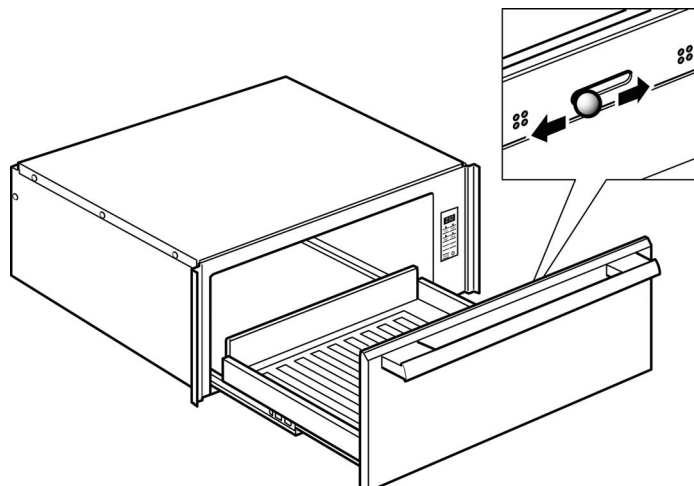
Les touches de température contrôlent la température du fond du tiroir.

Réglage	Température du tiroir
LOW	140 °F (60 °C)
MED (Medium)	165 °F (73,8 °C)
HIGH	190 °F (87,7 °C)
PROOF	100 °F (37,7 °C)

Indicateur de surface chaude (H)

L'indicateur de surface chaude apparaît sur l'écran lorsque le fond de verre du tiroir-réchaud est chaud. Ne pas toucher l'intérieur du tiroir lorsqu'il est chaud. La lettre H disparaît lorsque le tiroir a atteint une température acceptable au toucher.

Sélecteur d'humidité



Pour garder les aliments humides :

Faire glisser le bouton situé à l'intérieur du tiroir en direction de l'écran. Ceci a pour effet de fermer les ouvertures d'aération et emprisonne l'humidité à l'intérieur du tiroir. Lorsque les ouvertures d'aération sont fermées, le tiroir est complètement scellé, ce qui permet aux aliments chauds de rester tendres et moelleux.

Pour garder les aliments croustillants :

Faire glisser le bouton situé à l'intérieur du tiroir dans le sens opposé à l'écran. Ceci a pour effet d'ouvrir les ouvertures d'aération et permet à l'humidité de s'échapper.

Fonctionnement

À propos de l'appareil

Le tiroir-réchaud conserve les aliments cuits et chauds à la température de service. Toujours utiliser des aliments déjà chauds au départ. NE PAS utiliser pour réchauffer des aliments froids sauf pour faire lever les pâtes à base de levure, pour redonner leur croustillant aux biscuits salés, chips et céréales sèches ou pour faire chauffer les assiettes ou les plats à servir.

Fonctionnalités

Minuterie

La minuterie peut être programmée par incrément de 5 minutes. Le durée minimale est de 5 minutes et la durée maximale est de 5 heures.

Remarque :

Minuterie par défaut : une heure.

Lorsque la durée est écoulée, la minuterie émet un signal sonore et le tiroir s'éteint automatiquement.

Modification de la minuterie :

Utiliser les touches + et - pour modifier la minuterie.

Mode Sabbat

Le mode Sabbat est destiné aux croyances religieuses exigeant de ne pas travailler le jour du Sabbat.

- Le tiroir-réchaud peut être réglé pour fonctionner pendant 74 heures avant de s'éteindre automatiquement.
- Lorsqu'il fonctionne en Mode Sabbat, l'écran affiche **SAb**.
- Une fois le Mode Sabbat réglé, la minuterie ne peut plus être modifiée.
- Appuyer sur **ON/OFF** à n'importe quel moment pendant le Mode Sabbat pour désactiver le mode et éteindre l'appareil.


Réglage de la Fonction Sabbat


Appuyer sur **MED** pendant cinq secondes.


Remarque :

Seule la température MED peut être utilisée lorsqu'en mode sabbat. Une fois que le mode sabbat est ajusté, tous les boutons sont mis hors fonction sauf l'interrupteur de courant, qui sert à annuler le mode.

Fonctionnement

	Avertissement :
	Ne pas utiliser de papier aluminium ou de doublure de protection pour revêtir toute partie de l'appareil, et en particulier le fond du four. L'utilisation de ces doublures peut entraîner un risque de choc électrique ou d'incendie.

	ATTENTION :
	Pour des raisons de sécurité alimentaire, ne pas laisser les aliments à l'intérieur du four pendant plus d'une heure avant ou après la cuisson.

	ATTENTION :
	Les contenants en plastique ou le film étirable peuvent fondre s'il sont mis directement en contact avec le tiroir ou un ustensile chaud. S'ils fondent dans le tiroir, il peut être impossible de les enlever.

Remarque :

Utiliser uniquement des plats résistant à la chaleur.

Préchauffer le tiroir-réchaud

Avant de réchauffer les aliments, préchauffer le tiroir-réchaud. Pour obtenir de meilleurs résultats, utiliser les durées de préchauffage suivantes :

LOW : 5 minutes

MED : 10 minutes

HIGH : 15 minutes

PROOF : Il n'est pas nécessaire de préchauffer le tiroir.

Réchauffer les aliments

1. Appuyer sur une touche pour sélectionner la température désirée.
2. Régler la minuterie
3. Placer les aliments cuits et chauds dans le tiroir.

Vous pouvez les laisser dans le plat de cuisson initial. Sinon, vous pouvez transvaser les aliments dans un plat à servir résistant à la chaleur avant de les placer dans le tiroir.

Vous pouvez utiliser du papier d'aluminium pour couvrir les aliments.

Réchauffage des assiettes et des bols

1. Appuyer sur **LOW**.
2. Régler la minuterie.

Apprêt

Placer la pâte dans le plat désiré et huiler légèrement le dessus. Recouvrir grossièrement d'un chiffon.

1. Appuyer sur **PROOF**.
2. Régler la minuterie pour une période de 40 minutes minimum.
3. Vérifier le volume de la pâte au bout de 40 minutes. Prolonger la durée si nécessaire.

Redonner leur croustillant aux aliments rassis

Placer les aliments dans des plats ou casseroles peu profonds.

1. Appuyer sur **LOW**.
2. Préchauffer pendant 5 minutes, puis placer le plat dans le tiroir.
3. Régler la minuterie.
4. Vérifier l'aspect croustillant des aliments au bout de 45 minutes. Prolonger la durée si nécessaire.


Nettoyage et entretien

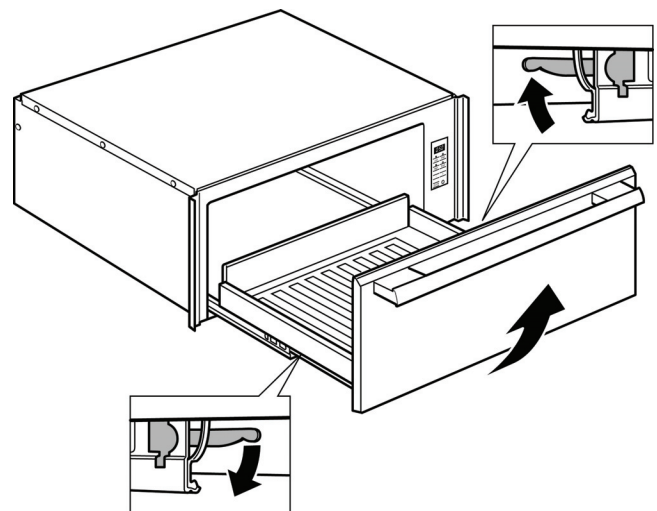
Nettoyage

Pièce	Recommandations
L'intérieur du tiroir (acier inoxydable poli)	Utiliser un liquide vaisselle. Laver et rincer soigneusement et sécher. Pour les taches d'eau dure ou le tartre, utiliser du vinaigre. Appliquer avec une éponge ou un chiffon, rincer et sécher. Décoloration due à la chaleur/Corrosion : pour nettoyer, utiliser le nettoyant Bar Keeper's Friend® saupoudré sur une éponge ou un chiffon humide et appliqué sur la surface en acier inoxydable mouillée. Frotter délicatement et de façon uniforme dans le sens du grain. Rincer et sécher.
Surfaces peintes	Utiliser de l'eau savonneuse chaude ou des détergents doux tels que Fantastik® ou Formula 409®. Laver, bien rincer et sécher. Éviter les agents nettoyants abrasifs, les tampons métalliques et les produits à nettoyer les fours.
Châssis extérieur du tiroir (acier inoxydable brossé)	Toujours essuyer ou frotter dans le sens du grain. Nettoyer avec une éponge savonneuse puis rincer et sécher, ou essuyer avec du Fantastik® ou du Formula 409® vaporisé sur du papier essuie-tout. Protéger et polir en utilisant du Stainless Steel Magic® et un chiffon doux. Enlever les traces d'eau avec un chiffon humide imprégné de vinaigre blanc.
Commande du tiroir-chaud	Nettoyer avec de l'eau savonneuse chaude ou déposer du Fantastik® ou Formula 409® sur une éponge propre ou du papier essuie-tout et essuyer. Éviter d'employer des détergents abrasifs ou des tampons à récurer.

Entretien

Dépose du tiroir

	Avertissement : Pour éviter les brûlures, ne pas retirer le tiroir pendant qu'il est encore chaud. Avant de retirer le tiroir, s'assurer qu'il est vide.
---	--



1. Ouvrir le tiroir au maximum.
2. Appuyer sur l'agrafe droite du tiroir.
3. Soulever l'agrafe gauche du tiroir.
4. Tirer fermement le tiroir vers soi. Faire rentrer les rails de l'armoire lorsque le tiroir est retiré.

Remise en place du tiroir

1. S'assurer que les rails de l'armoire sont repoussés à l'intérieur de celle-ci.
2. Aligner les rails du tiroir avec ceux de l'armoire.
3. Poussez fermement le tiroir directement dans le compartiment jusqu'à ce qu'il s'y enclenche.
4. Ouvrir et fermer le tiroir pour vérifier son fonctionnement. Remarque : si le tiroir ne se ferme pas, vérifier que les agrafes des rails sont dans la bonne position.

Tirer le meilleur parti de votre appareil

Recommandations concernant la température

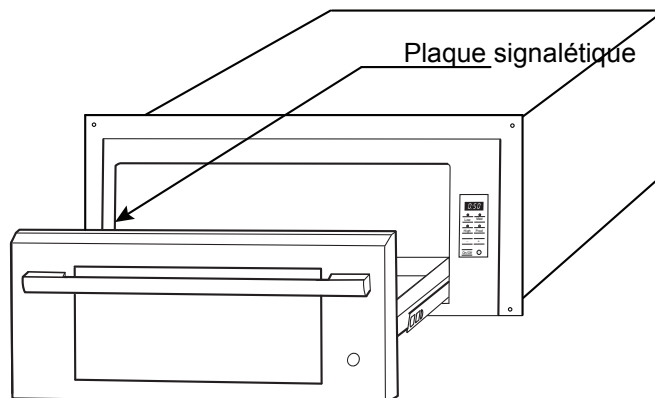
Aliments/Batterie de cuisine	Niveau	Niveau d'humidité			
Apprêt de la pâte à base de levure	PROOF	humide	Sauce au jus, sauces blanches	MED	humide
Bacon	HIGH	sec	Jambon	MED	humide
Bœuf, à point et bien cuit	MED	humide	Pancakes	HIGH	humide
Bœuf, saignant	MED	humide	Tartes, un fond	MED	humide
Pain, petits pains durs	MED	sec	Tartes, deux fonds	MED	sec
Pain, petits pain mollets, gâteaux danois	MED	humide	Pizza	HIGH	humide
Pain au lait	MED	humide	Porc	MED	humide
Ragoûts	MED	humide	Pommes de terre, au four	HIGH	humide
Oeufs	MED	humide	Pommes de terre, en purée	MED	humide
Poisson, fruits de mer	MED	humide	Volaille, rôtie	MED	humide
Aliments frits	HIGH	sec	Légumes	MED	humide
			Assiettes	LOW	sec
			Assiette de nourriture	MED	humide

Dépannage

Pour contacter un technicien de dépannage, voir les coordonnées sur la couverture avant du manuel. Lorsque vous téléphonez, soyez prêt à fournir les informations imprimées sur la plaque signalétique de votre produit.

Plaque signalétique

La plaque signalétique comporte le numéro de modèle et le numéro de série. Se reporter à la plaque signalétique de l'appareil électroménager pour faire une demande de dépannage. La plaque signalétique se trouve sur le côté gauche de l'armoire. Ce peut être nécessaire d'enlever le tiroir pour le voir.



ÉNONCÉ DE LA GARANTIE LIMITÉE

Couverture de la garantie :

La garantie limitée fournie par BSH Home Appliances dans cet énoncé de garantie limitée s'applique seulement aux fours encastrés Thermador vendu au premier acheteur, en autant que le produit ait été acheté :

- pour une utilisation normale résidentielle (non commerciale), et qu'en fait en tout temps a été utilisé pour un usage domestique normal ;
- nouveau au détail (non en montre, tel quel ou un retour), qu'il n'est pas destiné à la revente ni à un usage commercial et ;
- aux États-Unis ou au Canada et qu'il est demeuré en tout temps dans le pays où l'appareil a été acheté.

Les garanties données ici s'appliquent seulement au premier acheteur du produit et ne sont pas transférables.

Thermador se réserve le droit de demander une preuve d'achat au moment de la réclamation sous garantie afin de confirmer que le produit est à même la période de garantie limitée.

S'assurer de retourner la carte d'enregistrement, quoiqu'elle n'est pas nécessaire pour la garantie, c'est la façon dont Thermador peut vous aviser dans le cas d'un avis de rappel ou de sécurité du produit.

Durée de la garantie

Thermador garantit que le produit ne présente aucun défaut de matériaux ou de fabrication pour une période douze (12) mois à compter de la date d'achat. La durée commence à la date d'achat et ne sera pas allongée, prolongée, interrompue pour quelle que raison que ce soit. Les frais de main-d'oeuvre et d'expédition sont compris dans la couverture de base.

Réparation ou remplacement comme solution exclusive

Pendant la période de garantie, Thermador ou un de ses centres de service autorisés réparera le produit sans frais (sujet à certaines limitations indiquées dans le présent document), si le produit présente un défaut de fabrication ou de matériaux. Si des tentatives raisonnables pour réparer le produit sont vaines, alors Thermador remplacera le produit (un modèle supérieur peut être disponible, à la seule discrétion de Thermador, moyennant des frais additionnels). Toutes les pièces ou les composants enlevés demeurent la seule propriété de Thermador. Toute pièce et

tout composant réparés doit être identique à la pièce d'origine à des fins de cette garantie et la garantie ne sera pas prolongée en regard de telles pièces. La seule responsabilité de Thermador est de faire réparer le produit défectueux par un centre de service autorisé pendant les heures d'affaires normales. Pour la sécurité et éviter des dommages à la propriété, Thermador recommande fortement de ne pas réparer le produit soi-même, par une personne non qualifié ; Thermador ne sera pas tenu responsable des réparations ou du travail effectué par une personne non autorisée. Si le consommateur désire faire réparer par une personne autre qu'une personne autorisée, **CETTE GARANTIE EST AUTOMATIQUEMENT NULLE ET NON AVENUE**. Les centres de service autorisés sont les personnes ou les compagnies qui ont été spécialement formées sur les produits Thermador et qui possèdent, selon l'opinion de Thermador, une réputation supérieure pour le service à la clientèle et la capacité technique (il est à noter qu'elles sont des entités indépendantes et non des agents, partenaires, affiliations ou représentants de Thermador). Nonobstant ce qui suit, Thermador ne sera pas tenu responsable d'aucune façon si le produit est situé dans une région éloignée (supérieure à 100 miles d'un centre de service autorisé) ou n'est pas accessible de façon raisonnable, dans un environnement hasardeux, dangereux ; dans une telle éventualité, à la demande du consommateur, Thermador pourrait payer les frais de main-d'oeuvre et de pièces et expédier les pièces à un centre de service autorisé le plus près, mais le consommateur serait entièrement responsable pour toute durée de déplacement et autres frais spéciaux encourus par le centre de service, en autant qu'il accepte l'appel de service.

Produit hors garantie

Thermador n'a aucun obligation, par loi ou autre, d'offrir toute concession, incluant réparation, prorata ou remplacement de produit une fois la garantie expirée.

Exclusions à la garantie

La garantie décrite dans le présent document exclut tout défaut ou dommage non directement relié à Thermador, incluant sans limitation, un ou plusieurs de ce qui suit :

- utilisation du produit autre qu'un usage normal, habituel et de la façon destinée (incluant sans limitation toute forme d'utilisation commerciale, d'utilisation ou de rangement d'un produit pour l'intérieur à l'extérieur, utilisation du produit de concert avec un transporteur aérien ou marin) ;

- mauvaise conduite, négligence, mauvaise utilisation, abus, accidents, fonctionnement inadéquat, mauvais entretien, installation inadéquate ou négligente, altération, manquement d'observer les instructions de fonctionnement, mauvaise manipulation, service non autorisé (incluant réparation par le consommateur ou exploration du fonctionnement interne du produit) ;
- ajustement, modification ou altération de toute sorte ;
- manquement à la conformité des normes applicables fédérales, provinciales, municipales ou électrique du pays, codes de plomberie et/ou de construction, réglementation ou lois, incluant le manquement d'installer le produit en stricte conformité avec les codes et réglementations de construction et d'incendie locaux ;
- usure ordinaire, déversements d'aliments, liquide, accumulation de graisse ou autres substances accumulées dans, sur ou autour du produit ; et
- toute force ou tout facteur externe, élémentaire et/ou environnemental, incluant sans limitation, pluie, vent, sable, inondation, incendie, coulée de boue, gel, humidité excessive et exposition prolongée à l'humidité, foudre, surtension, problème de structure autour de l'appareil et actes de Dieu.

En aucun cas, Thermador ne sera tenu responsable des dommages survenus à la propriété, incluant les armoires, planchers, plafonds et autres objets ou structures autour du produit. Également exclus de la garantie, égratignures, encoches, enfoncement et dommages esthétiques sur les surfaces externes ou les pièces exposées ; produit sur lequel le numéro de série a été modifié, altéré, effacé, enlevé ; appel de service pour enseigner le fonctionnement du produit ou les visites où il n'y a aucun problème avec le produit ; correction de problèmes d'installation (le consommateur est seul responsable pour toute structure et tout réglage du produit, incluant l'électricité, la plomberie et

autres connexions nécessaires, pour un plancher/fondation appropriée, et pour toute modification incluant, sans limitation, armoire, mur, plancher, tablette, etc.) et la remise de coupe-circuit ou remplacement de fusible.

SELON LA PORTÉE PERMISE PAR LA LOI, CETTE GARANTIE DONNE DES SOLUTIONS EXCLUSIVE RELATIVEMENT AU PRODUIT, QUE LA RÉCLAMATION SURVIENNE PAR CONTRAT OU TORT (INCLUANT RESPONSABILITÉ STRICTE OU NÉGLIGENCE) OU AUTRE. CETTE GARANTIE EST EN LIEU DE TOUTE AUTRE GARANTIE, EXPRESSE OU IMPLICITE, TOUTE GARANTIE PAR LOI, À DES FINS DE COMMERCIALISATION OU À DES FINS PARTICULIÈRES, OU AUTRE, SERA EN VIGUEUR SEULEMENT POUR LA PÉRIODE EFFECTIVE DE LA GARANTIE LIMITÉE EXPRESSE. EN AUCUN CAS, LE FABRICANT NE PEUT ÊTRE TENU RESPONSABLE DES DOMMAGES ACCESSOIRES, SPÉCIAUX, INDIRECTS, PERTES D'AFFAIRES, ET/OU DOMMAGES PUNITIFS, PERTES, FRAIS INCLUANT SANS LIMITATION LE MANQUEMENT AU TRAVAIL, REPAS À L'HÔTEL ET/OU AU RESTAURANT, FRAIS DE REMODELAGE SURVENUS À CAUSE DE DOMMAGES DIRECTS DÉFINITIVEMENT CAUSÉS EXCLUSIVEMENT PAR THERMADOR OU AUTRE. CERTAINS ÉTATS NE PERMETTENT PAS L'EXCLUSION OU LA LIMITATION DES DOMMAGES ACCESSOIRES OU INDIRECTS ET NE PERMETTENT PAS LA LIMITATION SUR LA DURÉE D'UNE GARANTIE IMPLICITE, PAR CONSÉQUENT LES LIMITATIONS SUSMENTIONNÉES PEUVENT NE PAS S'APPLIQUER. CETTE GARANTIE DONNE DES DROITS SPÉCIFIQUES ET IL PEUT Y EN AVOIR D'AUTRES QUI VARIENT D'UN ÉTAT À L'AUTRE.

Aucune tentative de modifier, changer ou amender cette garantie ne peut être effective sans le consentement écrit autorisé par un officier de BSH.

Contenido

Acerca de este manual	1	Limpieza y mantenimiento .	6
Cómo se organiza este manual	1	Limpieza	6
Seguridad	1	Mantenimiento	6
Instrucciones de seguridad importantes	1	Para retirar el cajón	6
Cómo comenzar	3	Cambiar el cajón	6
Piezas	3	Cómo aprovechar al máximo su electrodoméstico	7
Operación	4	Servicio técnico	7
Acerca del electrodoméstico	4	Placa de datos	7
Funciones	4	DECLARACIÓN DE GARANTÍA LIMITADA DEL PRODUCTO . . .	8
Operación	5		

Este electrodomestico de Thermador es hecho por
BSH Home Appliances Corporation
5551 McFadden Ave.
Huntington Beach, CA 92649

¿Preguntas?

1-800-735-4328

www.thermador.com

¡Esparamos oír de usted!

Acerca de este manual

Cómo se organiza este manual


Este manual contiene diversas secciones:


- La sección *Seguridad* describe los procedimientos importantes que pueden garantizarle su seguridad mientras usa el electrodoméstico.
- La sección *Cómo comenzar* describe las características y la funcionalidad del electrodoméstico, e incluye una descripción de su configuración y operación.
- La sección *Operación* describe cómo operar cada componente y aprovechar al máximo su rendimiento.

- La sección *Limpieza y mantenimiento* describe cómo limpiar y mantener el electrodoméstico.
- La sección *Servicio técnico* incluye consejos para resolver los problemas y la garantía.

Antes de usar el electrodoméstico, asegúrese de leer este manual. Preste especial atención a las *Instrucciones de seguridad importantes* que se encuentran al comienzo del manual.

Seguridad

	Instrucciones de seguridad importantes
	LEA Y CONSERVE ESTAS INSTRUCCIONES

	Advertencia:
	Su nuevo electrodoméstico ha sido diseñado para ser seguro y confiable si recibe el cuidado adecuado. Lea atentamente todas las instrucciones antes de usarlo. Estas precauciones reducirán el riesgo de quemaduras, descarga eléctrica, incendio y lesiones a personas: Al utilizar electrodomésticos de cocina, se deben tomar precauciones de seguridad básicas, incluidas las que se encuentran en las páginas siguientes.

aprobado para uso en exteriores. Consulte la garantía. Si tiene alguna pregunta, comuníquese con el fabricante.

No almacene ni utilice productos químicos corrosivos, vapores, materiales inflamables ni productos no alimenticios dentro de este electrodoméstico ni cerca de él. Está específicamente diseñado para usarlo al calentar o cocinar alimentos. El uso de productos químicos corrosivos al calentar o limpiar dañará el electrodoméstico y podría causar lesiones.

No utilice este electrodoméstico si no funciona correctamente o si ha sido dañado. Comuníquese con un centro de servicio técnico autorizado.

No repare ni cambie ninguna parte del electrodoméstico, a menos que se recomiende específicamente en este manual. Remita todas las reparaciones a un centro de servicio técnico autorizado por la fábrica.

Seguridad para evitar incendios

No utilice papel de aluminio ni recubrimientos de protección para cubrir alguna parte del electrodoméstico, especialmente la base del horno. La instalación de estos recubrimientos puede causar un riesgo de descarga eléctrica o incendio.

Instalación y mantenimiento adecuados

Pídale al instalador que le muestre la ubicación del disyuntor o el fusible. Márquela para recordarla más fácilmente.

Este electrodoméstico debe ser correctamente instalado y conectado a tierra por un técnico calificado. Conéctelo sólo a una toma de corriente eléctrica correctamente conectada a tierra. Para obtener más información, consulte las Instrucciones de instalación.

Este electrodoméstico ha sido diseñado para el uso doméstico normal de una familia únicamente. No está



Instrucciones de seguridad importantes

LEA Y CONSERVE ESTAS INSTRUCCIONES

Si los materiales que están dentro del horno se prenden fuego, mantenga la puerta cerrada. Apague el electrodoméstico y desconecte el circuito en la caja de disyuntores.

Utilice este electrodoméstico únicamente para el fin para el cual fue diseñado, según se describe en este manual. Por ejemplo, nunca utilice el electrodoméstico para calentar o calefaccionar la habitación. Nunca utilice el electrodoméstico para almacenar objetos.

Siempre tenga un detector de humo en funcionamiento cerca de la cocina.

En el caso de que su ropa o cabello se prendan fuego, arrójese al piso y ruede de inmediato para extinguir las llamas.

Sofoque las llamas provocadas por alimentos que se prenden fuego, que no sean incendios ocasionados por grasa, con bicarbonato de sodio. Nunca use agua en incendios ocasionados al cocinar.

Prevención de quemaduras

Tenga cuidado al abrir el electrodoméstico. Parado a un lado, abra la puerta lenta y ligeramente para dejar escapar el aire caliente y/o el vapor. Mantenga la cara lejos de la abertura y asegúrese de que no haya niños ni mascotas cerca de la unidad. Después de liberar el aire caliente y/o el vapor, continúe con la cocción. Mantenga las puertas cerradas, a menos que sea necesario a efectos de la cocción o limpieza. No deje las puertas abiertas sin vigilancia.

No caliente recipientes de alimentos sin abrir. La acumulación de presión puede hacer explotar el recipiente y causar lesiones.

Siempre use agarradores secos. Los agarradores húmedos o mojados sobre las superficies calientes pueden ocasionar quemaduras por vapor. No deje que los agarradores toquen los elementos de calentamiento que estén calientes. No use toallas ni otros paños gruesos.

No toque la superficie interior del cajón cuando esté en uso. La temperatura del interior del cajón podría ocasionar quemaduras. Deje enfriar el cajón y el rack (si hubiera) antes de manipularlos.

ADVERTENCIA:

Para prevenir quemaduras, no retire el cajón mientras está caliente. Asegúrese de que el cajón esté vacío antes de retirarlo.

Sujétese todas las prendas holgadas, etc. antes de comenzar. Sujétese el cabello largo de manera que no quede suelto, y no use prendas holgadas o sueltas, como corbatas, bufandas, joyas o mangas sueltas.

Seguridad de los niños

Cuando los niños tienen la edad adecuada para utilizar el electrodoméstico, es responsabilidad legal de los padres o tutores legales asegurarse de que reciban las instrucciones sobre la operación segura del electrodoméstico por parte de personas calificadas.

No permita que nadie se suba, pare, incline, siente o cuelgue de ninguna parte de un electrodoméstico, especialmente una puerta, un cajón calentador o un cajón para almacenamiento. Esto puede dañar el electrodoméstico, y la unidad puede caerse y, posiblemente, causar lesiones graves.

No permita que los niños utilicen este electrodoméstico, a menos que sean supervisados de cerca por un adulto. Los niños y las mascotas no deben quedar solos o sin vigilancia en el área donde se utilice el electrodoméstico. Nunca se les debe permitir jugar cerca del electrodoméstico, independientemente de que esté en funcionamiento o no.

PRECAUCIÓN:

Los objetos de interés para niños no deben almacenarse en un electrodoméstico, en gabinetes que estén sobre un electrodoméstico ni en la placa antisalpicaduras. Si los niños se suben a un electrodoméstico para alcanzar estos objetos, podrían sufrir lesiones graves.

Seguridad en los utensilios de cocina

PRECAUCIÓN:

Los recipientes de plástico o las envolturas de plástico pueden derretirse si entran en contacto directo con el cajón o con un utensilio caliente. Si se derrite en el cajón, es posible que no se pueda retirar.

Seguridad de los alimentos

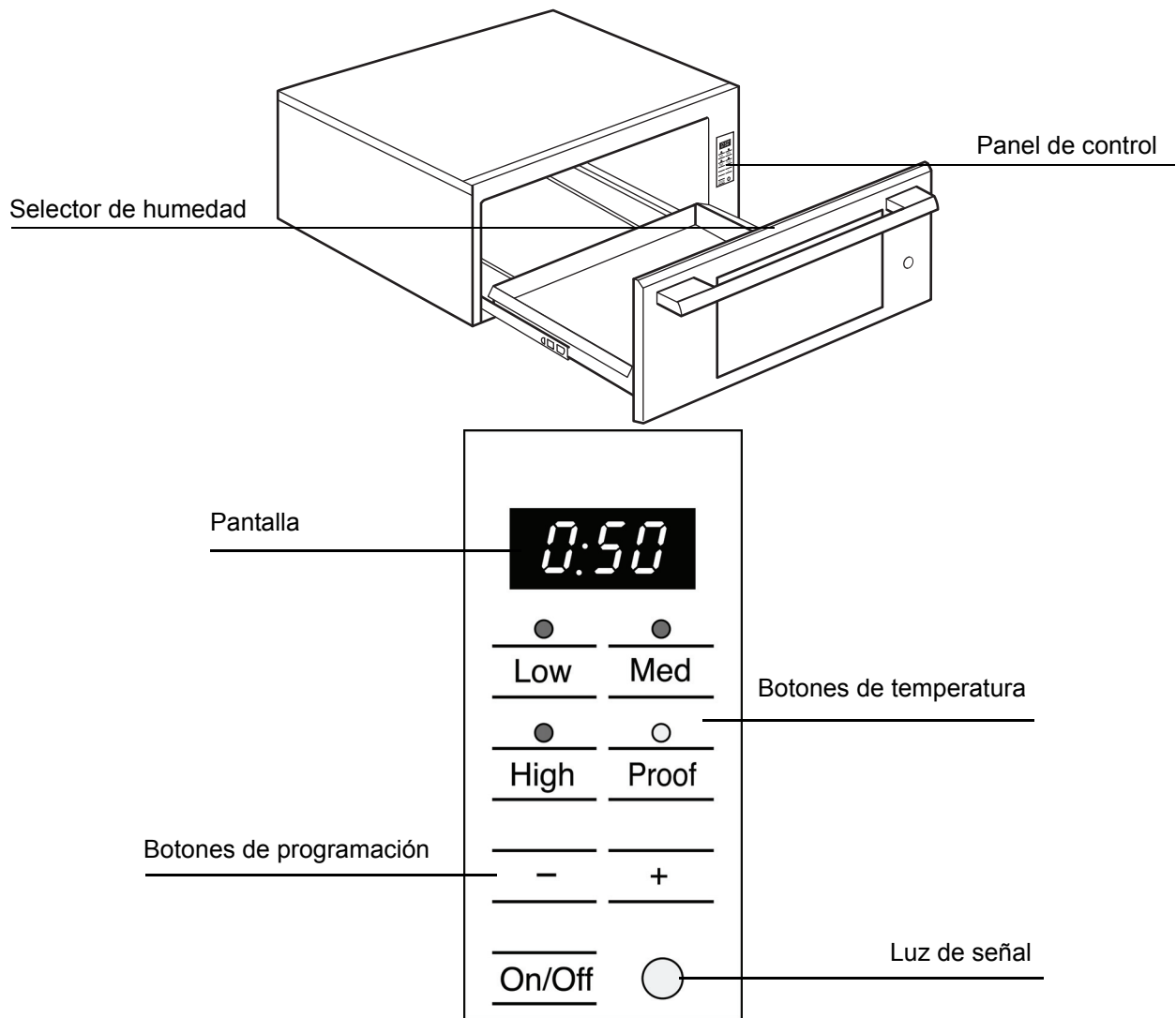
PRECAUCIÓN:

Para mantener la seguridad de los alimentos, siga las siguientes indicaciones:

1. NO use el cajón calentador para calentar alimentos fríos (excepción: el cajón se puede usar de manera segura para tostar galletas, papas fritas o cereales secos y para calentar platos).
2. Asegúrese de mantener la temperatura adecuada de los alimentos. El Departamento de Agricultura de los EE. UU. (United States Department of Agriculture, USDA) recomienda mantener los alimentos calientes a una temperatura de 140 °F o más.
3. NO caliente alimentos durante más de una hora.

Cómo comenzar

Piezas



Botón ON/OFF (ENCENDIDO/APAGADO):

Use este botón para encender y apagar el cajón calentador.

Luz de señal

Cuando el cajón está en funcionamiento, se enciende la luz de señal. Destella cuando el cajón está abierto e indica cuando el cajón está cerrado.

Bip

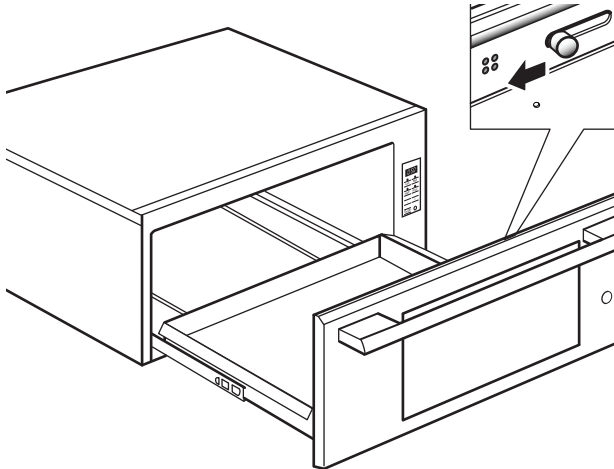
El panel de control emite un bip para confirmar que ha ingresado información. El temporizador emite bips cuando ha transcurrido el tiempo indicado.

Botones de temperatura

Los botones de temperatura controlan la temperatura de la base del cajón.

Valor	Temperatura del cajón
LOW (BAJA)	140 °F
MED (MEDIA)	165 °F
HIGH (ALTA)	190 °F
PROOF (ELEV AR)	100 °F

Selector de humedad



Para mantener la humedad de los alimentos:

Deslice la perilla que se encuentra dentro del cajón hacia la pantalla. Esto cierra los orificios de ventilación y encierra la humedad dentro del cajón. Al cerrar los orificios de ventilación, el cajón está completamente sellado y de esta manera los alimentos calientes conservan su humedad y permanecen blandos.

Para mantener los alimentos crujientes:

Deslice la perilla que se encuentra dentro del cajón alejándola de la pantalla. Esto abre los orificios de ventilación y permite el escape de la humedad.

Operación

Acerca del electrodoméstico

El cajón calentador mantiene los alimentos calientes y cocidos a una temperatura adecuada para servir. Siempre comience con alimentos calientes. NO use el cajón para calentar alimentos fríos, salvo para elevar masa con levadura, tostar galletas, papas fritas y cereales secos, o para calentar platos o utensilios para horno.

Funciones

Temporizador

Puede ajustar el temporizador en incrementos de 5 minutos. El tiempo mínimo es de 5 minutos, y el tiempo máximo es de 5 horas.

Nota:

Temporizador por defecto : una hora

Una vez transcurrido el tiempo, el temporizador emite bips, y el cajón se apaga automáticamente.

Para cambiar el temporizador:

Use los botones + y - para modificar el temporizador.

Modo de día de descanso sabático

El modo Sabbath Mode (Modo de día de descanso sabático) está destinado para las religiones que establecen el requisito de “no trabajar” en el día de descanso sabático.

- El cajón calentador debe ajustarse para que funcione durante 74 horas antes de apagarse automáticamente.
- Mientras funciona en modo de día de descanso sabático, la pantalla mostrará **SAb**.
- Una vez seleccionado el modo de día de descanso sabático, no se puede modificar el temporizador.
- Presione **ON/OFF** (ENCENDIDO/APAGADO) en cualquier momento durante el modo de día de descanso sabático para finalizar el modo y apagar el electrodoméstico.


Para programar la función de día de descanso sabático


Presione **MED** (MEDIA) durante cinco segundos.


Nota:

Sólo se puede utilizar la temperatura MED cuando el modo sabbat está activado. Una vez que el modo sabbat está ajustado, todos los botones están desactivados menos el interruptor de alimentación, que sirve para cancelar el modo.

Operación

	Advertencia:
	No utilice papel de aluminio ni recubrimientos de protección para cubrir alguna parte del electrodoméstico, especialmente la base del horno. La instalación de estos recubrimientos puede causar un riesgo de descarga eléctrica o incendio.

	PRECAUCIÓN:
	Para mantener la seguridad de los alimentos, no deje alimentos en el horno durante más de una hora ni antes ni después de cocinar.

	PRECAUCIÓN:
	Los recipientes de plástico o las envolturas de plástico pueden derretirse si entran en contacto directo con el cajón o con un utensilio caliente. Si se derrite en el cajón, es posible que no se pueda retirar.

Nota:

Use fuentes resistentes al calor únicamente.

Precalentar el cajón calentador

Precaliente el cajón calentador para calentar alimentos. Para obtener mejores resultados, precaliente el cajón durante el tiempo que se indica a continuación:

LOW (BAJA): 5 minutos

MED (MEDIA): 10 minutos

HIGH (ALTA): 15 minutos

PROOF (ELEVAR): no es necesario precalentar el cajón.

Calentar alimentos

1. Presione el botón hasta alcanzar el valor de temperatura deseado.
2. Programe el temporizador.
3. Coloque en el cajón los alimentos calientes y cocidos.

Puede dejar los alimentos en los utensilios de cocina en los que los preparó. O bien puede pasarlos a una fuente resistente al calor antes de ponerlos en el cajón calentador.

Puede usar papel de aluminio para cubrir los alimentos.

Para calentar platos y bols

1. Presione **LOW** (BAJA).
2. Programe el temporizador.

Para elevar masa

Coloque la masa en la fuente que desee y aceite ligeramente la parte superior de la masa. Cúbrala holgadamente con un paño.

1. Presione **PROOF** (ELEVAR).
2. Programe el temporizador durante 40 minutos como mínimo.
3. Controle la altura de la masa a los 40 minutos. Si es necesario, aumente la cantidad de tiempo.

Para tostar alimentos duros

Coloque los alimentos en fuentes o bandejas bajas.

1. Presione **LOW** (BAJA).
2. Precaliente durante 5 minutos, luego coloque la fuente en el cajón.
3. Programe el temporizador.
4. Luego de 45 minutos, controle si están crujientes. Si es necesario, aumente la cantidad de tiempo.


Limpieza y mantenimiento

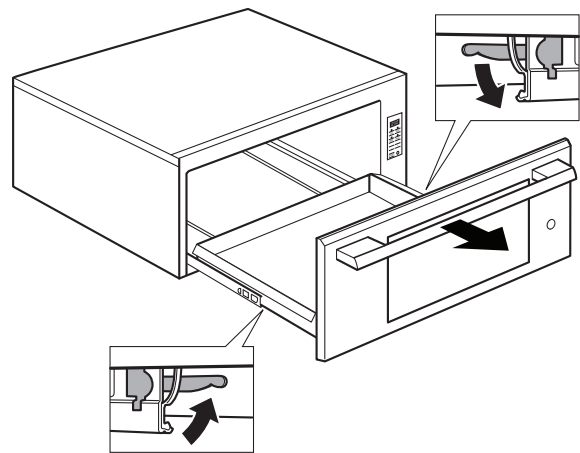
Limpieza

Pieza	Recomendaciones
Interior del cajón (acero inoxidable pulido)	Use detergente para vajilla. Lave, enjuague bien y seque. Para eliminar marcas de agua dura o sarro, use vinagre. Aplique con una esponja o paño, enjuague y seque. Decoloración por el calor/ corrosión: Limpie con Bar Keeper's Friend® espolvoreado sobre una esponja húmeda o un paño húmedo y aplicado a la superficie de acero inoxidable mojada. Frote en forma suave y pareja, en la misma dirección del grano. Enjuague y seque.
Superficies pintadas	Use agua jabonosa caliente o limpiadores suaves como Fantastik® o Formula 409®, enjuague bien y seque. Evite usar agentes de limpieza abrasivos, esponjas de lana de acero y limpiadores para hornos.
Estructura exterior del cajón (acero inoxidable cepillado)	Siempre limpie o frote en la misma dirección del grano. Limpie con una esponja jabonosa, luego enjuague y seque, o rocíe Fantastik® o Formula 409® en una toalla de papel y limpie. Proteja y pula las superficies con Stainless Steel Magic® y un paño suave. Remueva las manchas de agua con un paño humedecido con vinagre blanco.
Control del cajón calentador	Límpielo con agua jabonosa caliente o aplique Fantastik® o Formula 409® en una esponja limpia o toalla de papel y limpie. Evite usar limpiadores abrasivos y esponjillas para fregar.

Mantenimiento

Para retirar el cajón

	Advertencia:
	Para prevenir quemaduras, no retire el cajón mientras está caliente. Asegúrese de que el cajón esté vacío antes de retirarlo.



1. Jale el cajón hasta abrirlo por completo.
2. Presione hacia abajo el gancho derecho del cajón.
3. Levante el gancho izquierdo del cajón.
4. Jale el cajón hacia afuera con firmeza. Lleve hacia atrás los rieles del gabinete al retirar el cajón.

Cambiar el cajón

1. Asegúrese de que los rieles del gabinete estén dentro del gabinete.
2. Alinee los rieles del cajón con los rieles del gabinete.
3. Empuje firmemente el cajón directamente en el compartimento para que se engrane.
4. Abra y cierre el cajón para comprobar que funciona bien. Nota: Si el cajón no se cierra, verifique que los ganchos de los rieles estén en la posición correcta.

Cómo aprovechar al máximo su electrodoméstico

Recomendaciones de temperatura

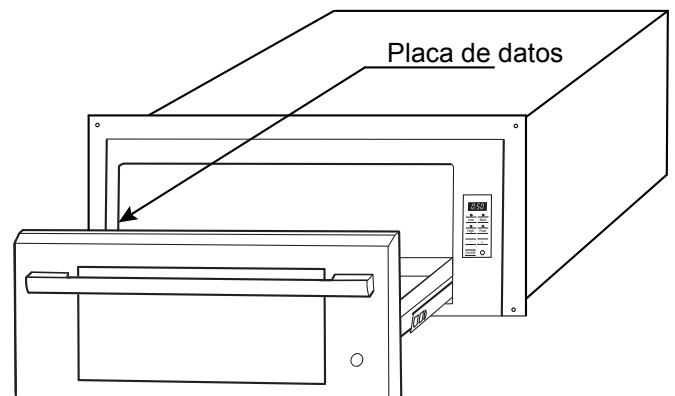
Alimentos/utensilios de cocina	Nivel	Nivel de humedad			
Elevar masa con levadura	PROOF (ELEVAR)	húmedo	Gravy, salsas de crema	MED (MEDIA)	húmedo
Tocino	HIGH (ALTA)	seco	Jamón	MED (MEDIA)	húmedo
Carne de res, término medio y bien cocida	MED (MEDIA)	húmedo	Pancakes	HIGH (ALTA)	húmedo
Carne de res roja	MED (MEDIA)	húmedo	Pies, una masa	MED (MEDIA)	húmedo
Pan, roles de costra dura	MED (MEDIA)	seco	Pies, dos masas	MED (MEDIA)	seco
Pan, roles blandos, pastel de café	MED (MEDIA)	húmedo	Pizza	HIGH (ALTA)	húmedo
Bizcochos	MED (MEDIA)	húmedo	Cerdo	MED (MEDIA)	húmedo
Guisados	MED (MEDIA)	húmedo	Papas al horno	HIGH (ALTA)	húmedo
Huevos	MED (MEDIA)	húmedo	Puré de papas	MED (MEDIA)	húmedo
Pescado, mariscos	MED (MEDIA)	húmedo	Carne de ave asada	MED (MEDIA)	húmedo
Alimentos fritos	HIGH (ALTA)	seco	Verduras	MED (MEDIA)	húmedo
			Platos	LOW (BAJA)	seco
			Plato de comida	MED (MEDIA)	húmedo

Servicio técnico

Para consultar a un representante de servicio técnico, remítase a la información de contacto que aparece en el frente del manual. Cuando llame, tenga a la mano la información impresa en la placa de datos de su producto.

Placa de datos

La placa de datos muestra el modelo y el número de serie. Al solicitar servicio técnico, consulte la placa de datos del electrodoméstico. La placa de datos se encuentra en el costado derecho del gabinete. Puede ser que tenga que quitar el cajón para verlo.



DECLARACIÓN DE GARANTÍA LIMITADA DEL PRODUCTO

Cobertura de esta garantía y a quiénes se aplica:

La garantía limitada otorgada por BSH Home Appliances Thermador en esta Declaración de Garantía Limitada del Producto se aplica únicamente al electrodoméstico Thermador vendido a usted, el primer comprador usuario, siempre que el Producto haya sido comprado:

- Para uso doméstico (no comercial) normal y haya sido utilizado en todo momento únicamente para fines domésticos normales.
- Nuevo en una tienda minorista (que no sea un producto de exhibición, ni un producto vendido "en las condiciones en que se encuentra" ni un modelo devuelto anteriormente) y no esté destinado para reventa ni uso comercial.
- Dentro de los Estados Unidos o Canadá, y permanezca en todo momento dentro del país de compra original.

Las garantías incluidas en el presente se aplican únicamente al primer comprador del Producto y no son transferibles.

Thermador se reserva el derecho de exigir un comprobante de la compra al momento de presentar una reclamación de garantía para verificar que el Producto esté cubierto por esta garantía de producto limitada.

Asegúrese de devolver su tarjeta de registro; si bien no es necesario para hacer efectiva la cobertura de la garantía, es la mejor manera para que Thermador le notifique en el caso poco probable de que se emita un aviso de seguridad o se retire del mercado un producto.

Duración de la garantía

Thermador garantiza que el Producto estará libre de defectos en los materiales y en la mano de obra por un período de doce (12) meses a partir de la fecha de compra. El período precedente comienza a regir a partir de la fecha de compra y no se interrumpirá, dejará sin efecto, extenderá ni suspenderá por ningún motivo.

Reparación/reemplazo como único recurso

Durante el período de esta garantía, Thermador o uno de sus proveedores de servicio técnico autorizados reparará su Producto sin cargo para usted (con sujeción a determinadas limitaciones especificadas en el presente) si se prueba que su Producto ha sido fabricado con un defecto en los materiales o en la mano de obra. Si se ha intentado de manera razonable reparar el Producto sin éxito, Thermador reemplazará su Producto (es posible que usted tenga disponibles modelos mejorados, a entera discreción de Thermador, por un cargo adicional). Todas las piezas y los componentes extraídos serán propiedad de Thermador, a su entera discreción. Todas las piezas reemplazadas y/o reparadas se considerarán como la pieza original a los fines de esta garantía, y esta garantía no se extenderá con respecto a dichas piezas. En virtud del presente, la única y exclusiva responsabilidad y obligación de Thermador es únicamente reparar el Producto defectuoso de fábrica, a través de un proveedor de servicio técnico autorizado por Thermador durante el horario normal de oficina. Por cuestiones de seguridad y daños materiales, Thermador recomienda categóricamente que no intente reparar el Producto usted mismo ni use un centro de servicio técnico no autorizado; Thermador no tendrá responsabilidad ni obligación alguna por las reparaciones o trabajos realizados por un centro de servicio técnico no autorizado. Si usted prefiere que una persona que no es un proveedor de servicio técnico autorizado trabaje en su Producto, ESTA GARANTÍA SE ANULARÁ AUTOMÁTICAMENTE. Los proveedores de servicio técnico autorizados son aquellas personas o compañías que han sido especialmente capacitadas para manejar los productos de Thermador y que tienen, según el criterio de Thermador, una reputación superior de servicio al cliente y capacidad técnica (debe tener en cuenta que son entidades independientes y no son agentes, socios, afiliados ni representantes de Thermador). Sin perjuicio de lo que antecede, Thermador no tendrá responsabilidad ni obligación alguna por el Producto que se encuentre en un área remota (a más de 100 millas de un proveedor de servicio técnico autorizado) o en un lugar, área circundante o entorno que no sea accesible por medios razonables o que sea peligroso, hostil o arriesgado; en cualquier caso, a su solicitud, Thermador de todas maneras pagará por la mano de obra y las piezas, y enviará las piezas al proveedor de servicio técnico autorizado más cercano, pero usted seguirá siendo totalmente responsable por el tiempo de viaje y demás

cargos especiales de la compañía de servicio técnico, suponiendo que acepte hacer la visita de servicio técnico.

Producto fuera de garantía

Thermador no tiene obligación alguna, en virtud de la ley o por otro motivo, de otorgarle ninguna concesión, incluidos reparaciones, prorrates o reemplazo del Producto, con posterioridad al vencimiento de la garantía.

Exclusiones de la garantía

La cobertura de garantía descrita en el presente excluye todos los defectos o daños que no fueron provocados directamente por Thermador, incluidos, entre otros, alguno de los siguientes:

- Uso del Producto de maneras distintas del uso normal, habitual y previsto (incluidos, entre otros, cualquier forma de uso comercial, uso o almacenamiento en exteriores de un producto diseñado para interiores, uso del Producto en aeronaves o embarcaciones).
- Conducta indebida, negligencia, uso indebido, abuso, accidentes, descuido, operación inadecuada, omisión de mantener, instalación inadecuada o negligente, adulteración, omisión de seguir las instrucciones de operación, manipulación inadecuada, servicio técnico no autorizado (incluidos "arreglos" o exploración de los mecanismos internos del electrodoméstico realizados por uno mismo) por parte de cualquier persona.
- Ajuste, alteración o modificación de cualquier tipo.
- Incumplimiento de los códigos, reglamentaciones o leyes de electricidad, plomería y/o construcción locales, municipales o de condado, incluida la omisión de instalar el producto cumpliendo estrictamente con los códigos y reglamentaciones locales de construcción y protección contra incendios.
- Desgaste habitual, derrames de alimentos, líquidos, acumulaciones de grasa u otras sustancias que se acumulen sobre, dentro o alrededor del Producto.
- Y cualquier fuerza y factor externo, elemental y/o ambiental, incluidos, entre otros, lluvia, viento, arena, inundaciones, incendios, aludes de lodo, temperaturas bajas extremas, humedad excesiva o exposición prolongada a la humedad, rayos, sobrecargas eléctricas, fallas estructurales alrededor del electrodoméstico y caso fortuito.

En ningún caso, Thermador tendrá responsabilidad ni obligación alguna por los daños ocasionados a los bienes circundantes, incluidos los gabinetes, pisos, techos y demás estructuras u objetos que se encuentren alrededor del producto. También se excluyen de esta garantía las

rayas, hendiduras, abolladuras menores y daños estéticos en superficies externas y piezas expuestas; productos en los cuales los números de serie hayan sido alterados, modificados o eliminados; visitas del servicio técnico para enseñarle a usar el Producto o visitas en las que se determine que no hay ningún problema con el Producto; corrección de los problemas de instalación (usted es el único responsable de cualquier estructura y soporte del Producto, incluidas las instalaciones de electricidad y plomería o demás instalaciones de conexión, de la correcta instalación en bases/pisos y de cualquier alteración, incluidos, entre otros, gabinetes, paredes, pisos, repisas, etc.); y el restablecimiento de disyuntores o fusibles.

EN LA MEDIDA PERMITIDA POR LA LEY, ESTA GARANTÍA ESTABLECE SUS RECURSOS EXCLUSIVOS CON RESPECTO AL PRODUCTO, INDEPENDIENTEMENTE DE QUE LA RECLAMACIÓN SEA CONTRACTUAL O EXTRA CONTRACTUAL (INCLUIDA LA RESPONSABILIDAD OBJETIVA O LA NEGLIGENCIA), O DE CUALQUIER OTRO MODO. ESTA GARANTÍA REEMPLAZA TODAS LAS DEMÁS GARANTÍAS EXPRESAS O IMPLÍCITAS. LAS GARANTÍAS IMPLÍCITAS POR LEY, YA SEA DE COMERCIALIZACIÓN O APTITUD PARA UN FIN ESPECÍFICO, O DE CUALQUIER OTRO TIPO, TENDRÁN VIGENCIA ÚNICAMENTE POR EL PERÍODO DE VIGENCIA DE LA PRESENTE GARANTÍA LIMITADA EXPRESA. EN NINGÚN CASO, EL FABRICANTE SERÁ RESPONSABLE POR LOS DAÑOS CONSECUENTES, ESPECIALES, INCIDENTALES, INDIRECTOS, POR "PÉRDIDAS COMERCIALES" Y/O DAÑOS PUNITIVOS, PÉRDIDAS O GASTOS, INCLUIDOS, ENTRE OTROS, TIEMPO FUERA DEL TRABAJO, HOTELES Y/O COMIDAS EN RESTAURANTES, GASTOS DE REMODELACIÓN QUE SUPEREN LOS DAÑOS DIRECTOS, QUE DEFINITIVAMENTE HAYAN SIDO CAUSADOS DE MANERA EXCLUSIVA POR THERMADOR O DE OTRO MODO. ALGUNOS ESTADOS NO PERMITEN LA EXCLUSIÓN O LIMITACIÓN DE DAÑOS INCIDENTALES O CONSECUENTES, Y ALGUNOS ESTADOS NO PERMITEN LIMITACIONES CON RESPECTO AL PLAZO DE VIGENCIA DE UNA GARANTÍA IMPLÍCITA; POR LO TANTO, ES POSIBLE QUE LAS LIMITACIONES PRECEDENTES NO SE APLIQUEN. ESTA GARANTÍA LE OTORGA DERECHOS LEGALES ESPECÍFICOS, Y TAMBIÉN PUEDEN CORRESPONDERLE OTROS DERECHOS QUE PUEDEN VARIAR SEGÚN EL ESTADO.

Ningún intento de alterar, modificar o enmendar la presente garantía entrará en vigencia, a menos que fuera autorizado por escrito por un ejecutivo de BSH.

Thermador[®] | *An American Icon*[™]

5551 McFadden Avenue, Huntington Beach, CA 92649 • 800-735-4328 • www.thermador.com
9000369984 • Rev. A • 11/09 © BSH Home Appliances Corporation, 2009 • All rights reserved
Litho in USA

Free Manuals Download Website

<http://myh66.com>

<http://usermanuals.us>

<http://www.somanuals.com>

<http://www.4manuals.cc>

<http://www.manual-lib.com>

<http://www.404manual.com>

<http://www.luxmanual.com>

<http://aubethermostatmanual.com>

Golf course search by state

<http://golfingnear.com>

Email search by domain

<http://emailbydomain.com>

Auto manuals search

<http://auto.somanuals.com>

TV manuals search

<http://tv.somanuals.com>