

INSTALLATION INSTRUCTIONS

For Built-in Microwave Ovens

Oven
Model
MBB

Built-In
Trim Kits
Models:
MET27B
MET30B
(Sold Separately)

Thermador® | *An American Icon*

Please read this entire manual before proceeding

IMPORTANT: Local codes vary. Installation, electrical connections, circuit breakers and grounding must comply with all applicable codes. Save these instructions for your local electrical inspector's use.

INSTALLER: Please leave these Installation Instructions with this unit for the owner.

OWNER: Please retain these instructions for future reference.

 **WARNING:** Disconnect power at the breaker before installing.

Table of Contents

Step 1:	Unpacking	3
Step 2:	Preparing the Cabinet	4
Step 3:	Preparing the Electric	5
Step 4:	Preparing the Trim Kit	5
Step 5:	Installing the Ducts	6
Step 6:	Completing the Installation	7

Step 1: Unpacking

A. Tools Needed:

- Tape Measure
- Drill with 1/16" bit
- Pliers
- # 2 Phillips Head Screwdriver
- Gloves
- Safety Goggles

Microwave Oven Model MBB

Remove and discard all packing material.

Parts Included:

- Care & Use manual (1)
- Warranty Card (1)
- Plastic Turntable (1)
- Glass Tray (1)

B. Trim Kit Models MET27B & MET30B

Remove and discard all packing materials.

Parts Included:

- Trim Frame (1)
- Base Pan (1)
- Trim Bracket (2)
- Side Duct (1)
- Upper Exhaust Duct (1)
- Top Intake Duct (1)
- Rear Intake Duct (1)
- Installation Instructions (1)
- 10-foot Roll Tape (1)
- Screws #8x3/8" Type B (Blunt Point) (7)
- Screws #8x3/8" Type A (Sharp Point) (9)
- Grommet (1)
- Template (1)
- 7/16" Lag Bolts (2)



Caution:

- Trim kits are designed for use only with the Thermador microwave oven models listed (See Table 1).
- For safety, do not alter or modify any part of this kit or oven.
- Unit is heavy and requires at least two people to lift or move.

Table 1 - Model Numbers

	Trim Kits	Microwave Ovens
30" Cabinet	MET30BB MET30BW MET30BS	MBBB MBBW MBBS
27" Cabinet	MET27BB MET27BW MET27BS	MBBB MBBW MBBS

Step 2: Preparing the Cabinet

- The cabinet cutout dimensions are shown in Figure 1.
- It is a good practice when the microwave oven is installed at the end of a cabinet run, adjacent to a perpendicular wall or cabinet door, to allow at least 1/2" (12.7 mm) space between the side of the trim and wall or door.

Dimension	Trim Kit Model	
	MET27B	MET30B
Trim Height	17 ¹ / ₄ "	17 ¹ / ₄ "
Trim Width	26 ³ / ₄ "	29 ³ / ₄ "
Cutout Height (A)	17" ±1/16"	17" ±1/16"
Cutout Width (B)	25 ¹ / ₂ " ±1/16"	28 ¹ / ₂ " ±1/16"
Depth (C)	24" ±1/16"	24" ±1/16"

- Your microwave oven can be installed into a cabinet or wall by itself or above any of the following Thermador wall ovens: C271, C301, CM301, S301, SC301. Or, Thermador Warming Drawers WD27 and WD30 (see Figures 2a and 2b).
- Outlet can be located anywhere within the shaded area as indicated in Figure 1.

Figure 1

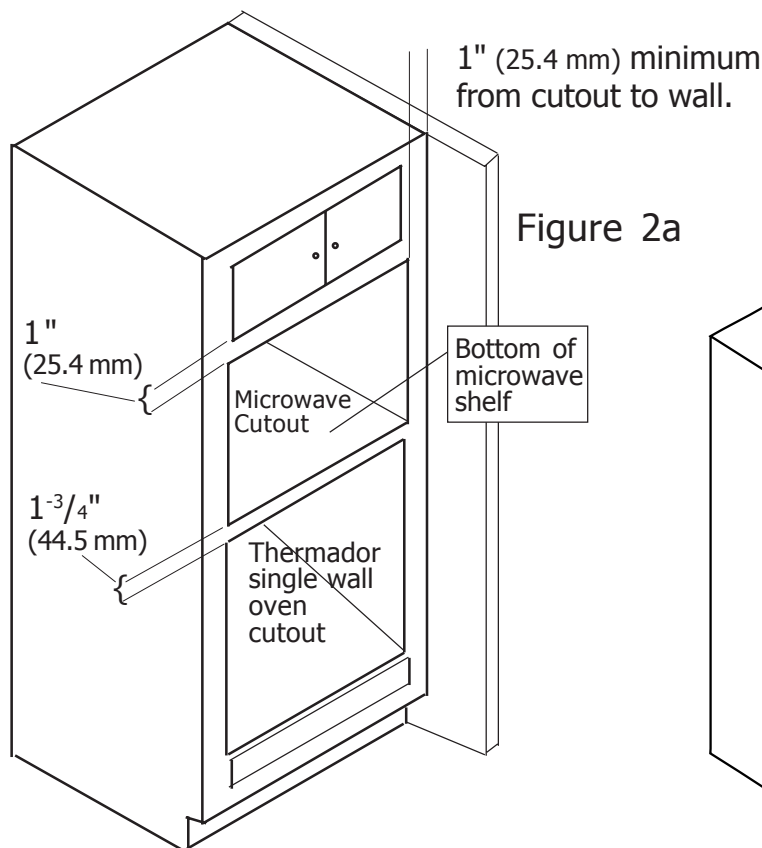
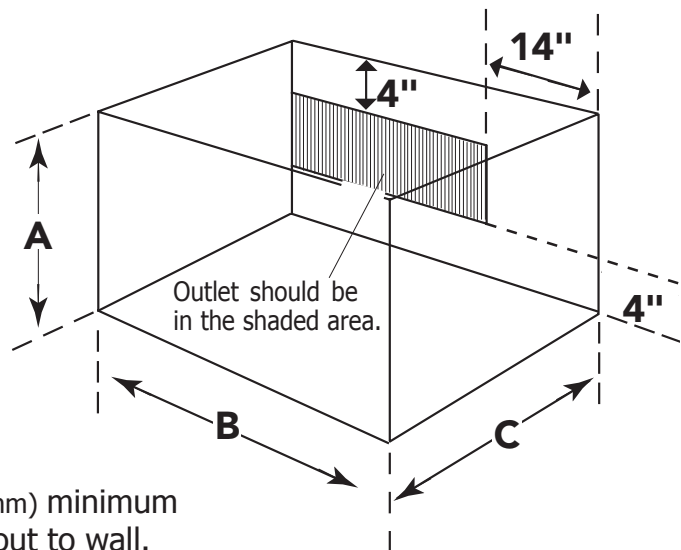


Figure 2a

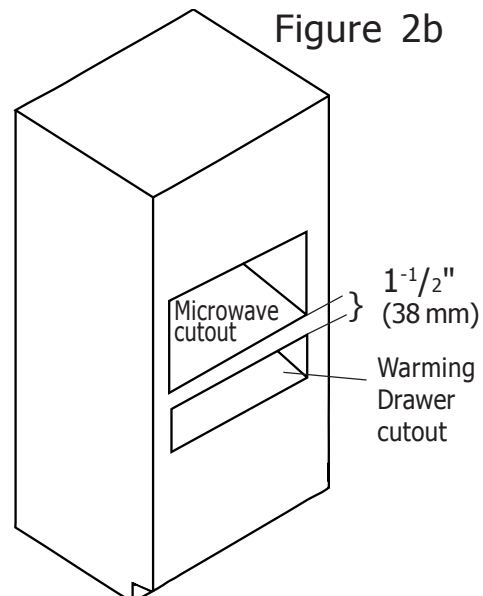


Figure 2b

Step 3: Preparing the Electric

The Thermador microwave oven is equipped with a grounded cord. The wall receptacle must be installed and grounded in accordance with the national electrical code. It can be installed anywhere in the shaded area in Figure 1 (previous page). Electrical connections and grounding must comply with all applicable local codes.

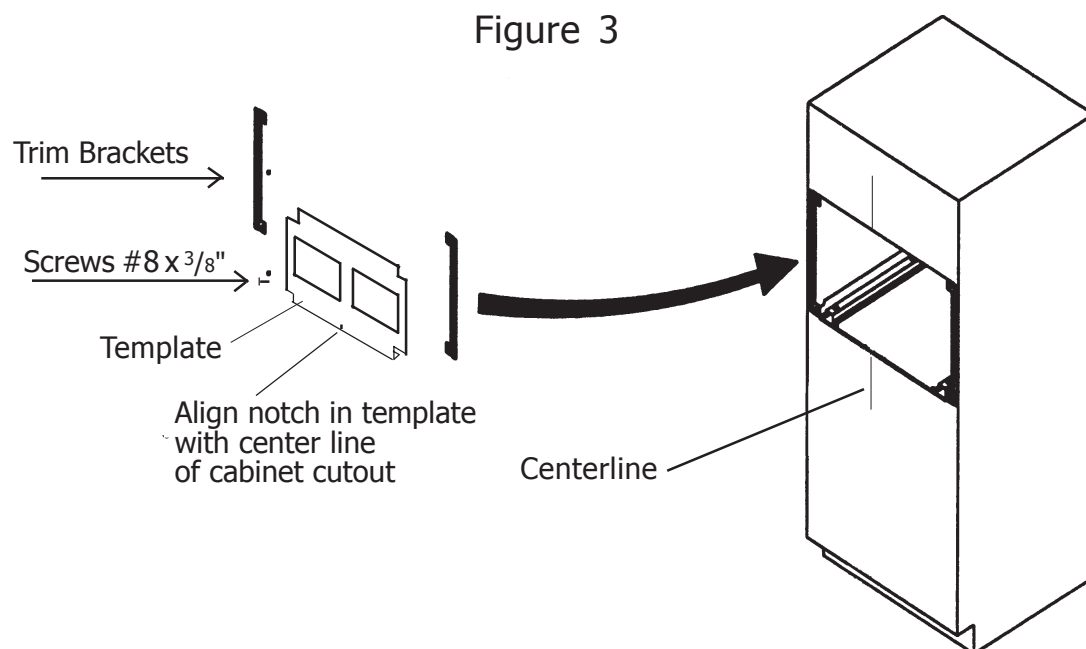
The electrical requirements for a separate circuit serving only this microwave oven are: 120V, 60Hz, 15Amp.

⚠ WARNING: Improper grounding can result in risk of electric shock.

Step 4: Preparing the Trim Kit

- (1) Attach the two vertical side trim brackets to the template as shown in Figure 3. Use two (2) #8 x $\frac{3}{8}$, Type B screws on each side.
- (2) Mark the center line on bottom edge of the cutout.
- (3) Hold template in front of cabinet cutout. Line up the bottom of the template with the bottom of the cutout. Align the template notch with the centerline of the cutout.
- (4) Mark the location of the three holes in the trim brackets on both sides. Set brackets and template aside.
- (5) Drill $\frac{1}{16}$ " diameter starter holes.
- (7) Remove template from trim brackets and discard. Set brackets and screws aside to be installed later in the process.

Note: DO NOT attach trim brackets at this time. Continue to *Step 5: Installing the Ducts*.

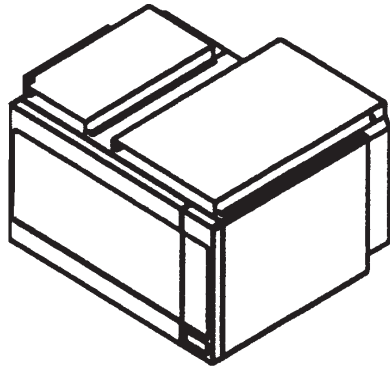


Step 5: Installing The Ducts

1. Remove and discard the protective plastic film from the 4 ducts.



2. Set microwave upside down in stable location.
3. Use pliers to remove and discard all four (4) black plastic feet from bottom of microwave.



4. Attach base pan to bottom of microwave at leg holes. Fasten with two (2) 7/16" lag bolts. Install one bolt through front right leg hole and one through back left hole. Return microwave to right-side-up position.
2. Loosen the outer case screw near the vent on left side of the microwave.
3. Position side duct on left side of oven. Slide duct under loosened outer case duct screw and tighten.
4. Position upper exhaust duct on top left side (hinge side) of oven. The left side will overlap the side duct. Fasten upper exhaust duct and side duct to microwave using two (2) #8 x 3/8" Type B screws.
5. Wrap grommet around electrical cord.
6. Thread grommet and electrical cord in the receiving hole provided in the rear intake duct.
7. Attach rear intake duct to the rear of the oven. Fasten with one (1) #8 x 3/8" Type B screw.
6. Position top intake duct on top side of oven. Slide the back edges under the rear intake duct. Fasten top intake duct and rear intake duct to microwave using four (4) #8 x 3/8" Type B screws.
7. Use tape provided to cover all duct seams. Verify that all seams are tightly sealed.

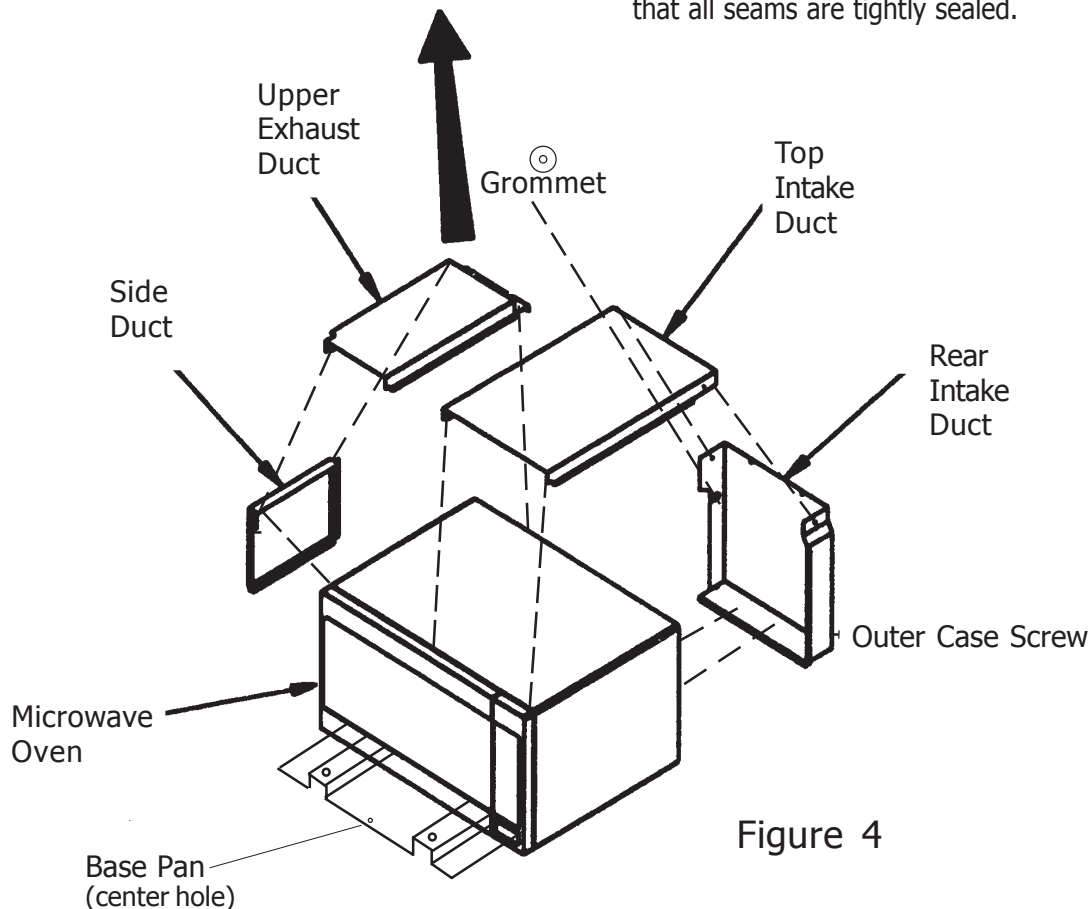


Figure 4

Step 6: Completing the Installation

⚠ Caution: The microwave oven is heavy. Always use at least two people to lift the unit.

1. Lift oven into position and rest right rear corner in cabinet cutout.
2. Reach past microwave on left side to insert electrical cord into outlet.
3. Slide oven the rest of the way into the cabinet. Position microwave in cabinet so that base pan center hole aligns with cabinet centerline. When properly installed, the front end of pan will be flush with the front edge of the shelf.
4. Open the microwave door to access three holes on the base pan below the microwave. Drill $\frac{1}{16}$ " holes through the three (3) base pan holes into the cabinet cutout bottom. Fasten base pan to shelf with three 3 #8 x $\frac{3}{8}$ Type A screws.

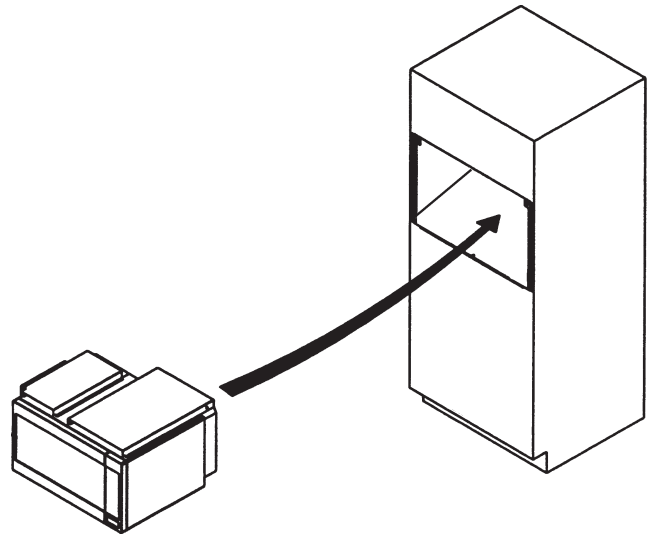


Figure 5

11. Install both vertical trim brackets on the cabinet using three (3) #8 x $\frac{3}{8}$ Type A screws on each side. The flanges on the ends of the brackets should be inside the cabinet.
12. Snap frame trim into the trim brackets (Figure 6). The four (4) ball studs on the back of the frame snap into the four (4) spring clips on the trim brackets. Tip: Place screwdriver behind spring clip to support bracket.
13. Install the plastic turntable. Place in center of oven bottom with base in hole. Turn turntable clockwise until it drops into place. Place glass tray on top of turntable.
14. Test the operation of the microwave. See the Care & Use manual for operating instructions.

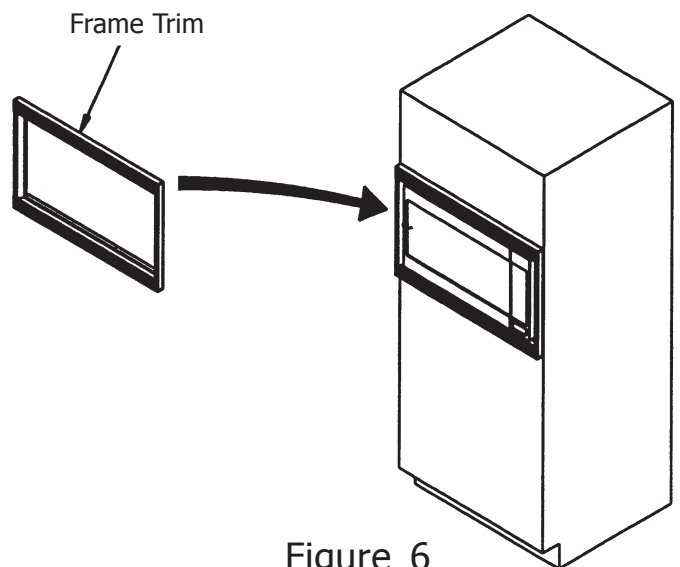


Figure 6

Thermador reserves the right to change specifications or design without notice. Some models are certified for use in Canada. Thermador is not responsible for products which are transported from the United States for use in Canada. Check with your local Canadian distributor or dealer. Thermador, 5551 McFadden Avenue, Huntington Beach, CA 92649.

For the most up-to-date critical installation dimensions by fax, use your fax handset and phone 702/833-3600. Use code #8030.

Thermador[®] | *An American Icon*[™]

BSH Home Appliances Corporation

5551 McFadden Avenue, Huntington Beach, CA 92649 • 800/735-4328
RO 2011M • 9000012356A • © 2004 BSH Home Appliances Corp. • Litho Date 06/04

Free Manuals Download Website

<http://myh66.com>

<http://usermanuals.us>

<http://www.somanuals.com>

<http://www.4manuals.cc>

<http://www.manual-lib.com>

<http://www.404manual.com>

<http://www.luxmanual.com>

<http://aubethermostatmanual.com>

Golf course search by state

<http://golfingnear.com>

Email search by domain

<http://emailbydomain.com>

Auto manuals search

<http://auto.somanuals.com>

TV manuals search

<http://tv.somanuals.com>