

# INSTALLATION INSTRUCTIONS

For Built-in Refrigerators

# INSTRUCCIONES DE INSTALACIÓN

Para los refrigeradores  
empotrados

# INSTRUCTIONS D'INSTALLATION

Pour réfrigérateurs encastrés

Side by Side Models/  
Modelos con dos puertas/  
Modèles côte à côte  
KBUIT4255E, KBUDT4255E  
KBUIT4265E, KBUDT4265E  
KBUIT4275E, KBUDT4275E  
KBUIT4855E, KBUDT4855E  
KBUIT4865E, KBUDT4865E  
KBUIT4875E, KBUDT4875E

***Thermador***<sup>®</sup>

# TABLE OF CONTENTS

<b>REFRIGERATOR SAFETY</b> .....	<b>3</b>	<b>INSTALLATION INSTRUCTIONS</b> .....	<b>16</b>
<b>DESIGN SPECIFICATIONS</b> .....	<b>4</b>	Unpack the Refrigerator .....	16
Models - Side by Side Non-Dispensing Refrigerators .....	4	Reduce Tipping Radius .....	17
Models - Side by Side Dispensing Refrigerators.....	5	Move the Refrigerator into House.....	17
Product Dimensions.....	6	Install Anti-Tip Boards.....	18
Tipping Radius .....	7	Connect the Water Supply.....	18
Door Swing Dimensions.....	7	Plug in Refrigerator.....	19
Handle and Door Clearances for Custom Panel Series .....	8	Move Refrigerator to Final Location.....	19
Custom Panels.....	10	Lower Leveling Legs .....	20
Full-Overlay Custom Panels .....	11	Install Custom Panels.....	20
Stainless Steel Series Side Panels .....	12	Level Refrigerator .....	21
Custom Panel Series Side Panels .....	13	Adjust Doors.....	21
<b>INSTALLATION REQUIREMENTS</b> .....	<b>14</b>	Install Side Panel .....	22
Tools and Parts .....	14	Install Base Grille .....	22
Location Requirements .....	14	Water System Preparation .....	23
Electrical Requirements .....	15	Complete Installation.....	23
Water Supply Requirements .....	16		

# ÍNDICE

<b>SEGURIDAD DEL REFRIGERADOR</b> .....	<b>24</b>	<b>INSTRUCCIONES DE INSTALACIÓN</b> .....	<b>38</b>
<b>ESPECIFICACIONES DE DISEÑO</b> .....	<b>25</b>	Cómo desempacar su refrigerador.....	38
Modelos - Refrigeradores de dos puertas sin despachador ....	25	Cómo reducir el arco de vuelco.....	38
Modelos - Refrigeradores de dos puertas con despachador ...	26	Cómo hacer entrar el refrigerador en la casa .....	39
Medidas del producto .....	27	Cómo instalar los tableros antivuelco.....	39
Arco de vuelco .....	28	Conexión del suministro de agua .....	40
Medidas de oscilación de las puertas .....	28	Cómo enchufar el refrigerador .....	41
Espacios para la agarradera y la puerta para la serie de paneles a la medida .....	29	Cómo mover el refrigerador a su ubicación final.....	41
Paneles a la medida .....	31	Baje las patas niveladoras .....	41
Paneles a la medida totalmente recubiertos .....	32	Cómo instalar los paneles a la medida.....	42
Paneles laterales de la serie de acero inoxidable.....	34	Cómo nivelar el refrigerador.....	43
Paneles laterales para la serie de paneles a la medida.....	35	Cómo ajustar las puertas .....	43
<b>REQUISITOS DE INSTALACIÓN</b> .....	<b>35</b>	Cómo instalar el panel lateral.....	44
Piezas y herramientas .....	35	Cómo instalar la rejilla de la base .....	44
Requisitos de ubicación.....	36	Preparación del sistema de agua .....	45
Requisitos eléctricos.....	37	Cómo terminar la instalación .....	45
Requisitos del suministro de agua.....	37		

# TABLE DES MATIÈRES

<b>SÉCURITÉ DU RÉFRIGÉRATEUR</b> .....	<b>46</b>	Spécifications de l'alimentation en eau .....	59
<b>SPÉCIFICATIONS DE DESIGN</b> .....	<b>47</b>	<b>INSTRUCTIONS D'INSTALLATION</b> .....	<b>60</b>
Modèles - Réfrigérateurs côte à côte sans distributeur .....	47	Déballage du réfrigérateur.....	60
Modèles - Réfrigérateurs côte à côte avec distributeur .....	48	Réduction du rayon de basculement.....	60
Dimensions du produit.....	49	Faire entrer le réfrigérateur dans le domicile .....	61
Rayon de basculement .....	50	Installation de planches antibasculement.....	61
Dimensions pour le pivotement des portes.....	50	Raccordement à la canalisation d'eau.....	62
Dégagements pour les poignées et portes pour la série de panneaux personnalisés.....	51	Brancher le réfrigérateur.....	63
Panneaux personnalisés .....	53	Déplacement du réfrigérateur à l'emplacement final.....	63
Panneaux de revêtement personnalisés.....	54	Déploiement des pieds de nivellement .....	64
Panneaux latéraux de la série de panneaux en acier inoxydable .....	55	Installation des panneaux personnalisés .....	64
Panneaux latéraux de la série de panneaux personnalisés .....	56	Nivellement du réfrigérateur .....	65
<b>EXIGENCES D'INSTALLATION</b> .....	<b>57</b>	Ajustement des portes .....	65
Outillage et pièces.....	57	Installation du panneau latéral .....	66
Exigences d'emplacement.....	58	Installation de la grille de la base .....	66
Spécifications électriques .....	59	Préparation du système d'eau .....	67
		Achever l'installation .....	67

# REFRIGERATOR SAFETY

## Your safety and the safety of others are very important.

We have provided many important safety messages in this manual and on your appliance. Always read and obey all safety messages.



This is the safety alert symbol.

This symbol alerts you to potential hazards that can kill or hurt you and others.

All safety messages will follow the safety alert symbol and either the word "DANGER" or "WARNING."

These words mean:

**⚠ DANGER**

You can be killed or seriously injured if you don't immediately follow instructions.

**⚠ WARNING**

You can be killed or seriously injured if you don't follow instructions.

All safety messages will tell you what the potential hazard is, tell you how to reduce the chance of injury, and tell you what can happen if the instructions are not followed.

**⚠ WARNING**



### Tip Over Hazard

Refrigerator is top heavy and tips easily when not completely installed.

Keep doors taped closed until refrigerator is completely installed.

Use two or more people to move and install refrigerator.

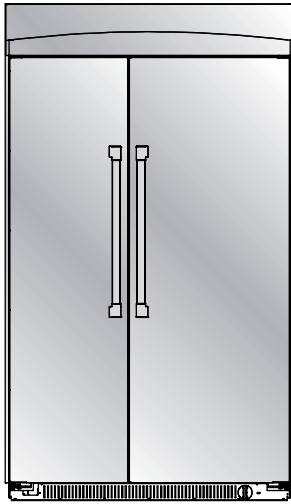
Failure to do so can result in death or serious injury.

---

# DESIGN SPECIFICATIONS

---

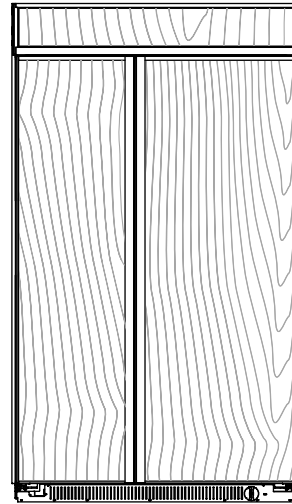
## Models - Side by Side Non-Dispensing Refrigerators



### **Stainless Steel Series**

Features stainless steel exterior styling.

KBUI4255E      KBUI4265E  
KBUI4855E      KBUI4865E



### **Custom Panel Series**

Features factory-installed, traditional style trim to provide a "framed" look. This series requires the installation of custom panels that are not included.

KBUI4275E      KBUI4875E

---

### **TRIMKITSXS - Trimless Trim Kit**

On the Custom Panel Series, you can create a "frameless" look using full-overlay custom panels. You will need to order a Trimless Trim Kit for Side by Sides TRIMKITSXS. This accessory kit contains parts to replace the factory trim.

Full-overlay custom panels and handles are required but not included in the accessory kit. Create the panels according to the specifications in the "Full-Overlay Custom Panels" section. You can order a set of Thermador's Handles or select handles from another source. For door clearances, see "Handle and Door Clearances for Custom Panel Series."

### **Handle Kits**

For use with Stainless Steel models. You can purchase a handle type other than that provided with your model. See your dealer for Details.

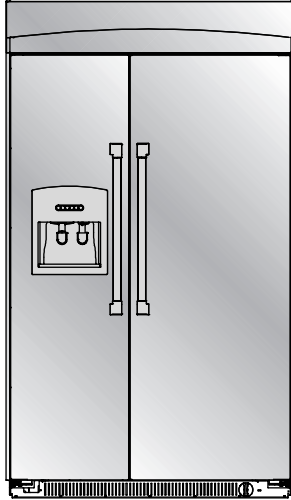
CURVHNDL10 - Curved Handle Kit  
PROHNDL160 - Pro Handle Kit  
PROHNDL165 - Designer Pro Handle Kit  
MASTHNDL55 - Masterpiece Handle Kit

### **EXTHANDSXS - Extended Handle Kit for Side by Sides**

This kit may be required if you install a custom raised panel. See "Handle and Door Clearances for Custom Panel Series."

---

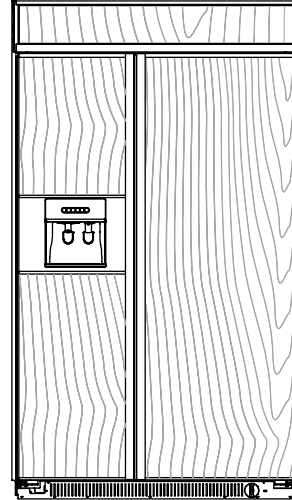
## Models - Side by Side Dispensing Refrigerators



### **Stainless Steel Series**

Features stainless steel exterior styling.

KBUDT4255E      KBUDT4265E  
KBUDT4855E      KBUDT4865E



### **Custom Panel Series**

Features factory-installed, traditional style trim to provide a “framed” look. This series requires the installation of custom panels that are not included.

KBUDT4275E      KBUDT4875E

---

### **TRIMKITSXS - Trimless Trim Kit**

On the Custom Panel Series, you can create a “frameless” look using full-overlay custom panels. You will need to order a Trimless Trim Kit for Side by Sides TRIMKITSXS. This accessory kit contains parts to replace the factory trim.

Full-overlay custom panels and handles are required but not included in the accessory kit. Create the panels according to the specifications in the “Full-Overlay Custom Panels” section. You can order a set of Thermador’s Handles or select handles from another source. For door clearances, see “Handle and Door Clearances for Custom Panel Series.”

### **Handle Kits**

For use with Stainless Steel models. You can purchase a handle type other than that provided with your model. See your dealer for Details.

CURVHNDL10 - Curved Handle Kit

PROHNDL160 - Pro Handle Kit

PROHNDL165 - Designer Pro Handle Kit

MASTHNDL55 - Masterpiece Handle Kit

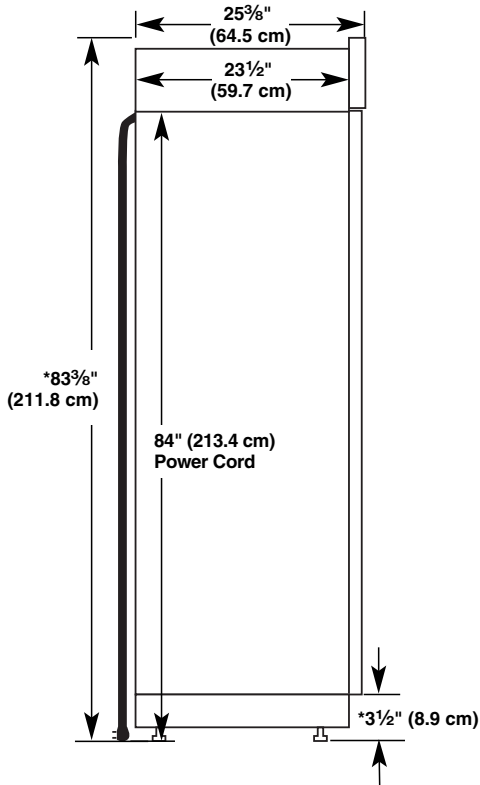
### **EXTHANDSXS - Extended Handle Kit for Side by Sides**

This kit may be required if you install a custom raised panel. See “Handle and Door Clearances for Custom Panel Series.”

# Product Dimensions

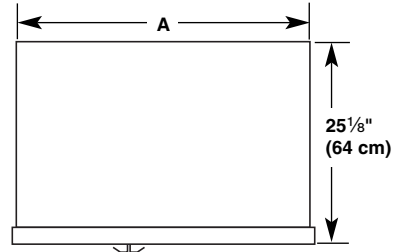
## Side View

- The depth from the front of the top grille to the back of the refrigerator cabinet is 25 $\frac{3}{8}$ " (64 cm).
- The power cord is 84" (61 cm) long.
- The water line attached to the back of the refrigerator is 5 ft (1.5 m) long. Height dimensions are shown with leveling legs extended  $\frac{1}{8}$ " (3 mm) below the rollers.



\*When leveling legs are fully extended to 1 $\frac{1}{4}$ " (32 mm) below rollers, add 1 $\frac{1}{8}$ " (29 mm) to the height dimensions.

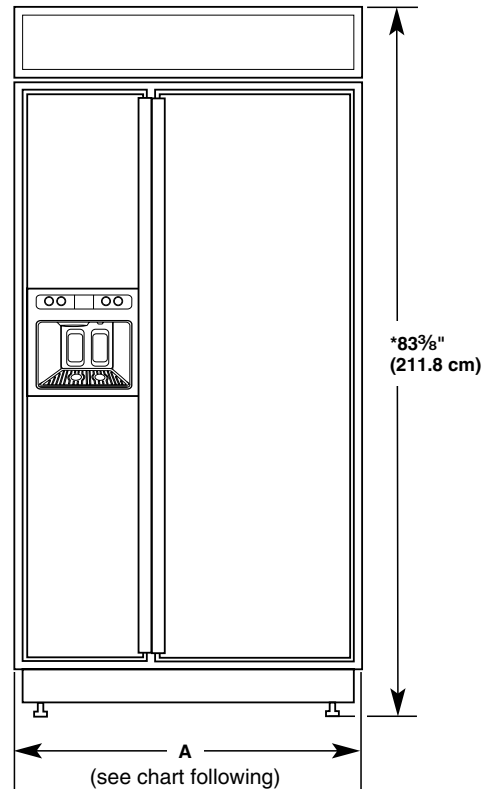
## Top View



Model	Width A
42" (106 cm)	41" (104 cm)
48" (122 cm)	47" (119 cm)

## Front View

- Width dimensions were measured from trim edge to trim edge.
- Height dimensions are shown with leveling legs extended  $\frac{1}{8}$ " (3 mm) below the rollers.



Model	Width A (Trim edge to trim edge)
42" (106 cm)	42 $\frac{1}{4}$ " (107 cm)
48" (122 cm)	48 $\frac{1}{4}$ " (123 cm)

\*When leveling legs are fully extended to 1 $\frac{1}{4}$ " (32 mm) below rollers, add 1 $\frac{1}{8}$ " (29 mm) to the height dimensions.

## Tipping Radius

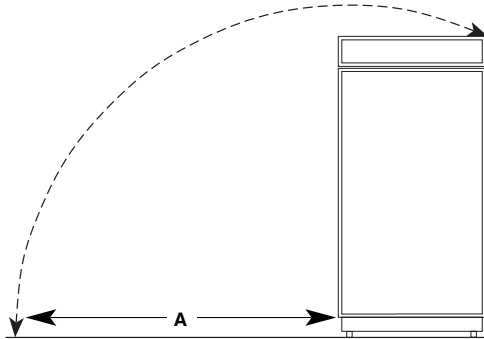
Be sure there is adequate ceiling height to stand the refrigerator upright when it is moved into place.

- The dolly wheel height must be added to the tipping radius when a dolly is used.
- If needed, the tipping radius can be reduced. See “Reduce Tipping Radius.”

### Side Tipping Radius

The side tipping radius varies depending upon the width of the model. Use the chart provided to determine the side tipping radius.

**NOTE:** Tip on side only.



Model	Tipping Radius A
42" (106 cm)	93" (236.2 cm)
48" (122 cm)	96" (243.8 cm)

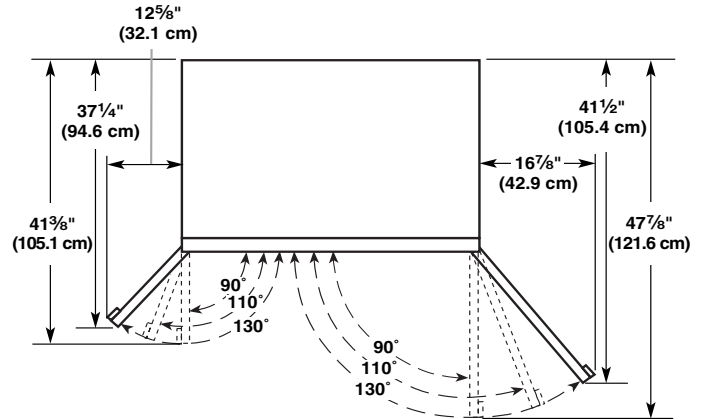
## Door Swing Dimensions

The location must permit both doors to open to a minimum of 90°. Allow 4½" (11.4 cm) minimum space between the side of the refrigerator and a corner wall.

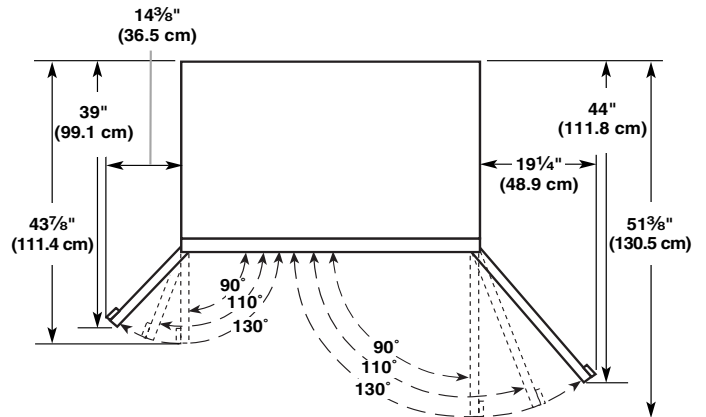
**NOTE:** More clearance may be required if you are using overlay panels or custom handles.

To adjust the door swing, see “Adjust Doors.”

### 42" (106 cm) Models

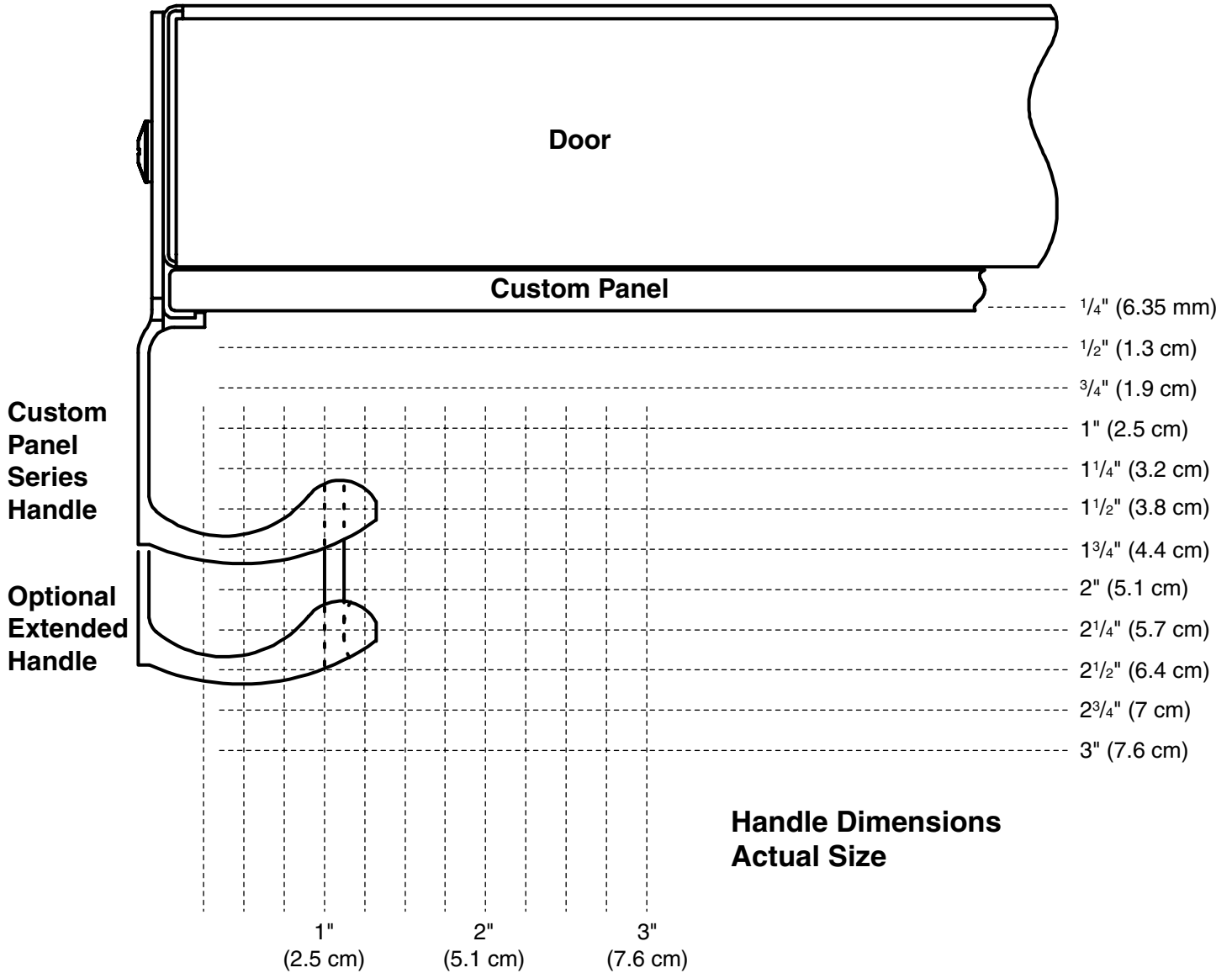


### 48" (122 cm) Models



## Handle and Door Clearances for Custom Panel Series

If you are installing custom panels, the panels must allow certain clearances for the handles and for the doors to swing open. An Extended Handle Kit may be required if you install a custom raised panel. See the "Models" section under "Design Specifications."

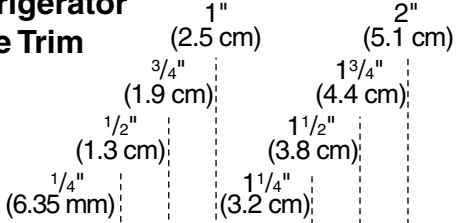




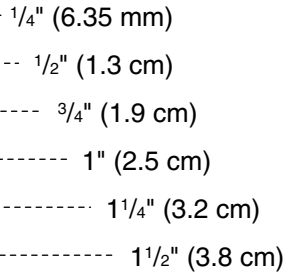
**Custom Panel Series  
Clearances for  
Full-Overlay Custom Panels**

**Door Swing 110°  
Actual Size**

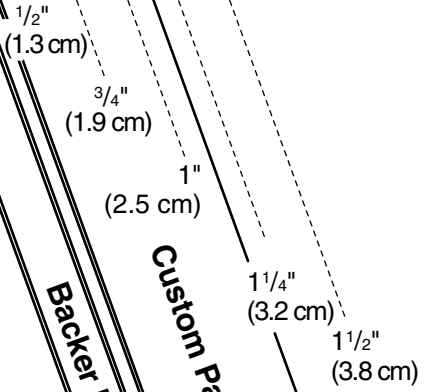
**Refrigerator  
Side Trim**



**Hinge**



**Door**



**Backer Panel**

**Custom Panel**

**Spacer Panel**

**NOTE:** To use full-overlay custom panels, you must order the Trimless Trim Kit. Additionally, you will need to order either a set of Thermador's Handles or select handles from another source. See the "Models" section of "Design Specifications" for more information and specific kit.

# Custom Panels

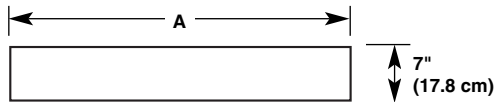
If you plan to install custom wood panels, you will need to create the panels yourself or consult a qualified cabinetmaker or carpenter. See dimension drawings for panel specifications.

**IMPORTANT:** Panels weighing more than recommended may cause damage to your refrigerator.

**NOTE:** Dimensions shown have a  $(\pm) \frac{1}{16}$ " (1.5 mm) tolerance. Panels that are more than  $\frac{1}{4}$ " (6 mm) thick must be routed. If panels are less than  $\frac{1}{4}$ " (6 mm) thick, install a filler panel between the doors and decorative panels.

## Top Grille Panel

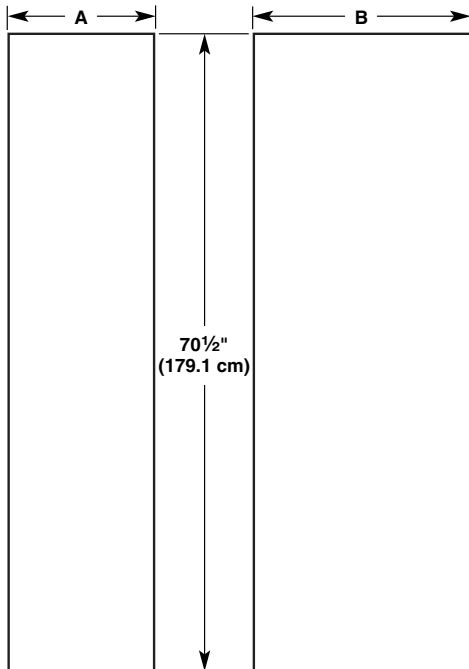
The top panel should not weigh more than 10 lbs (4.5 kg) total weight.



Model	A
42" (106.6 cm)	40½" (105 cm)
48" (122 cm)	46½" (120 cm)

## Door Panels for Non-dispenser Models

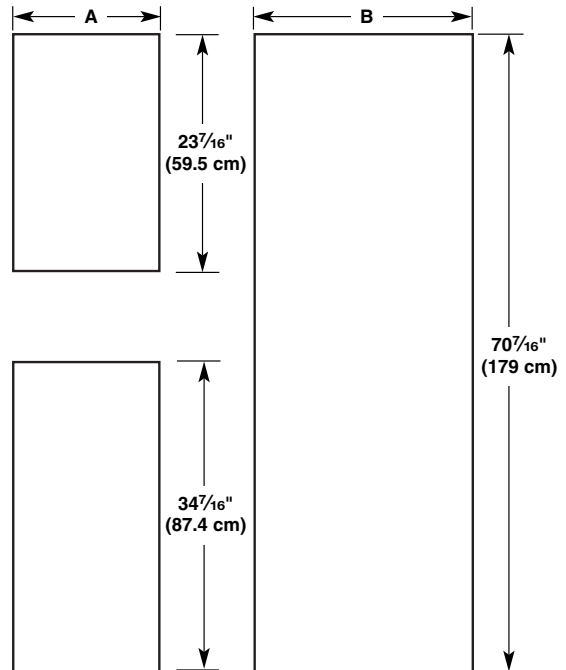
The freezer panel should not weigh more than 30 lbs (13.5 kg) total weight. The refrigerator panel should not weigh more than 50 lbs (23 kg) total weight.



Model	A	B
42" (106.7 cm)	16¾" (42.5 cm)	22¾" (57.8 cm)
48" (122 cm)	19¼" (48.9 cm)	26¼" (66.8 cm)

## Door Panels for Dispenser Models

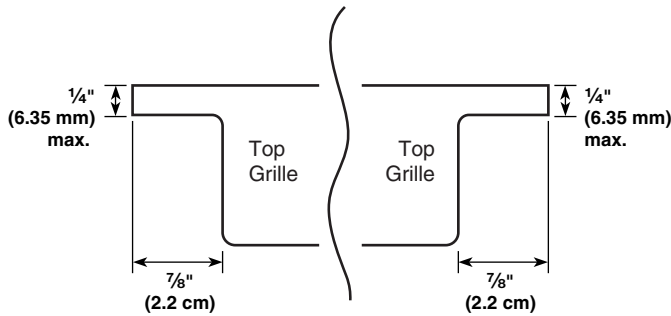
The two freezer panels combined should not weigh more than 30 lbs (13.5 kg) total weight. The refrigerator panel should not weigh more than 50 lbs (23 kg) total weight.



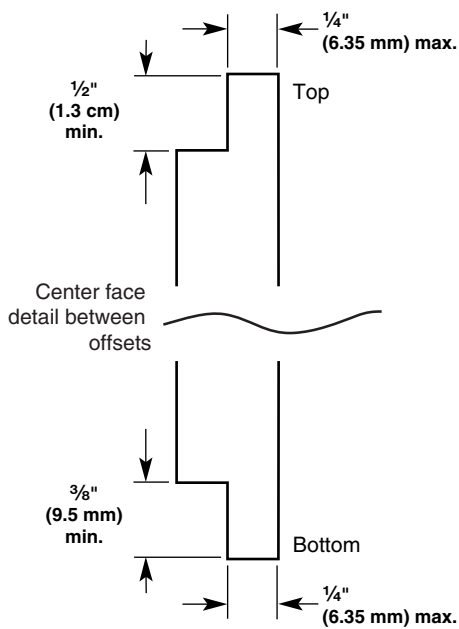
Model	A	B
42" (106.6 cm)	16¾" (42.5 cm)	22¾" (57.8 cm)
48" (122 cm)	19¼" (48.9 cm)	26¼" (66.8 cm)

## Top Grille Panel – Routing Requirements

Top and bottom edges of the top panel should be edge routed  $\frac{1}{2}$ " (1.3 cm) and  $\frac{3}{8}$ " (9.5 mm), respectively. Both ends should be edge routed  $\frac{7}{8}$ " (2.2 cm) as shown.



**NOTE:** When creating a panel with face detail, the offsets will be hidden and must be accounted for in order to center the detail in the top grille.

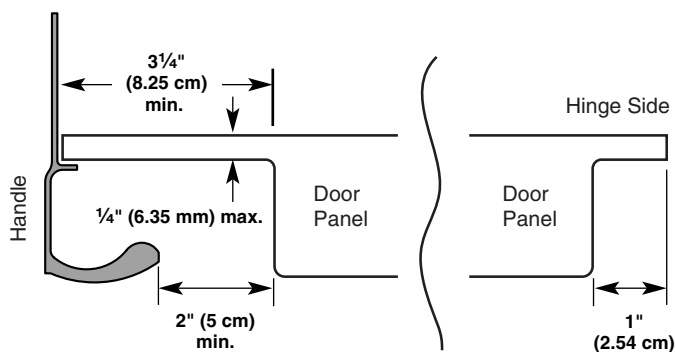


## Door Panels – Routing Requirements

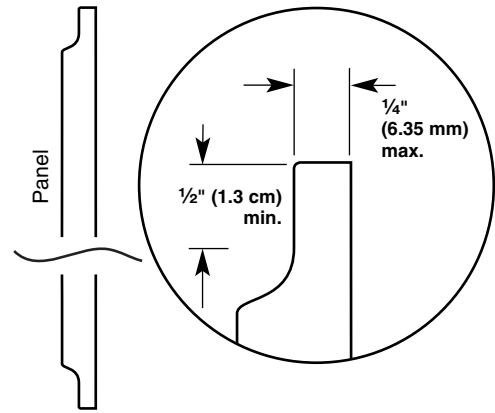
If an extended handle kit is used, then routing the handle side of the panels is not required. See "Handle and Door Clearances" for more information on ordering extended handles.

If the standard handle is used, rout the entire handle side of both panels  $3\frac{1}{4}$ " (8.25 cm) to allow for finger clearance. Then rout the other sides 1" (2.54 cm).

### Standard Handle – Top View



## Door Panel - Side View

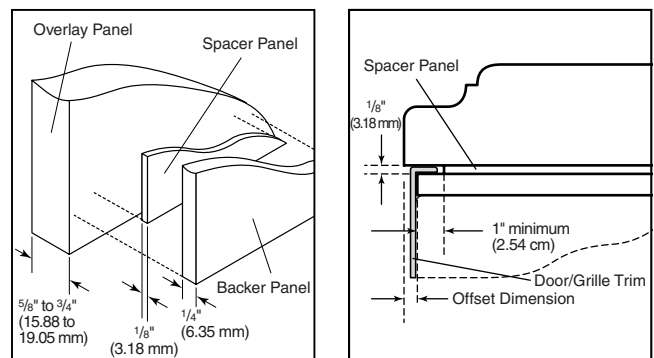


## Full-Overlay Custom Panels

Custom overlay panels allow you to blend the exterior of your refrigerator into the overall kitchen décor, and to use custom handles for additional design flexibility.

**NOTE:** To use full-overlay custom panels, a Trimless Trim Kit for Side by Sides is required (TRIMKITSXS). Full-overlay custom panels and handles are required but not included. Create the panels according to these specifications. You may order Thermador's Handle Kit (HANDKIT) or select handles from another source. See the "Models" section under "Design Specifications" for additional information.

The custom panels must have backer panels attached in order to mount them to the refrigerator. It is most common to work with three panels, as shown in the following graphic: a decorative overlay panel, a  $\frac{1}{8}$ " (3.18 mm) spacer panel or spacer strips and a  $\frac{1}{4}$ " (6.35 mm) backer panel.

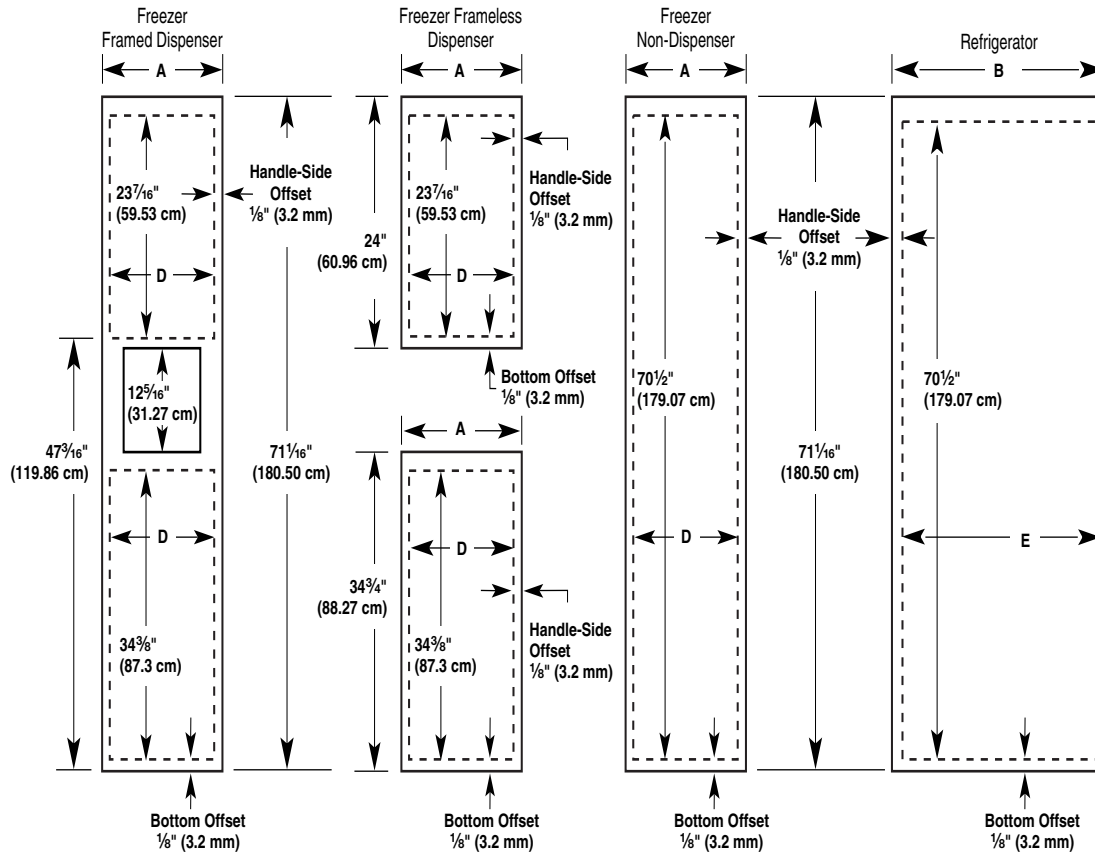
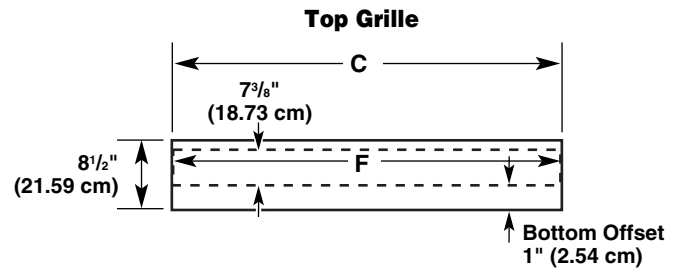


In some cases, your cabinet manufacturer may choose to work with one panel routed for the different dimensions. Follow these panel dimension and placement instructions to be sure that the custom overlay panels will fit properly.

### IMPORTANT:

- The total weight of the refrigerator door overlay panel cannot exceed 50 lbs (23 kg).
- The total weight of the freezer door overlay panel cannot exceed 30 lbs (13.5 kg).
- The total weight of the top grille overlay panel cannot exceed 10 lbs (4.5 kg).

To minimize panel weight, you may use 2" (5.08 cm) spacer strips around the perimeter in place of full-sheet solid spacer panels. The spacer strips must be set in at least 1" (2.54 cm) from the top, bottom and sides edges of the backer panel. If you use spacer strips, it is also recommended that you use two 2" (5.08 cm) strips horizontally centered for added support.



Decorative Overlay Panels			
Model	A	B	C
42" (106 cm)	17 $\frac{1}{8}"$ (43.50 cm)	23 $\frac{1}{8}"$ (58.74 cm)	41 $\frac{3}{8}"$ (105.09 cm)
48" (122 cm)	19 $\frac{5}{8}"$ (49.85 cm)	26 $\frac{5}{8}"$ (67.63 cm)	47 $\frac{3}{8}"$ (120.33 cm)

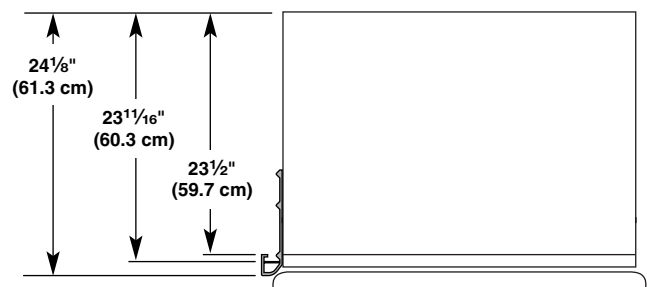
Backer Panels			
Model	D	E	F
42" (106 cm)	16 $\frac{15}{16}"$ (43.50 cm)	22 $\frac{15}{16}"$ (58.26 cm)	40 $\frac{1}{2}"$ (102.87 cm)
48" (122 cm)	19 $\frac{7}{16}"$ (49.37 cm)	26 $\frac{7}{16}"$ (67.15 cm)	46 $\frac{1}{2}"$ (118.11 cm)

## Stainless Steel Series Side Panels

Custom side panels may be needed when not enough space is available to have cabinets on both sides of the refrigerator or when the refrigerator is placed at the end of a cabinet run. You may choose an Inset, Flush, or Recessed Inset panel installation.

- If the opening depth is 25" (63.5 cm) or more, you may want to install a support board on rear wall.

### Refrigerator



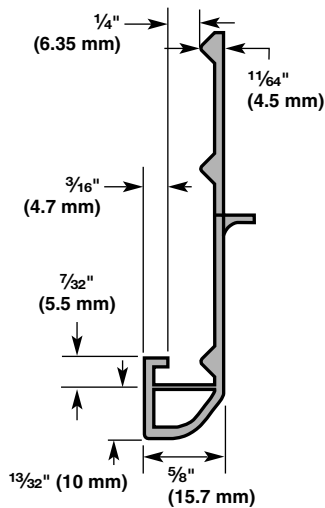
### Refrigerator and Side Trim Dimensions

The width and height of a side panel are determined by the type of installation you are planning.

#### NOTES:

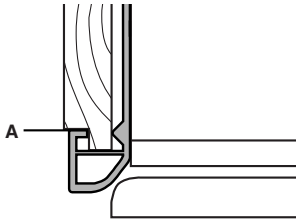
- The dimensions shown are actual product dimensions and may not reflect the needed panel installation dimensions.
- The side panel should be a minimum of  $\frac{1}{2}"$  (1.27 cm) thick to avoid warping.

## Side Trim



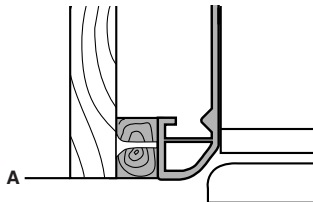
### Inset Installation Dimensions

1. Measure the distance from point A (as shown) to the back wall. Add  $\frac{7}{32}$ " (5.6 mm) to this measurement to allow the side panel to fit into the trim.
2. If the panel is more than  $\frac{1}{4}$ " (6.35 mm) thick, rout the front edge to allow the side panel to fit into the trim.



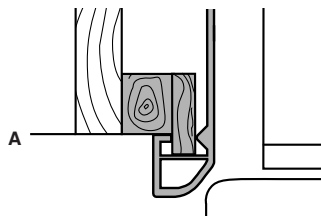
### Flush Installation Dimensions

1. Measure the distance from point A (as shown) to the back wall.
2. Attach the support board with a screw or adhesive that is compatible with aluminum and wood.



### Recessed Inset Installation Dimensions

1. Measure the distance from point A (as shown) to the back wall.
2. Rout the front edge of the support board or attach a  $\frac{1}{4}$ " (6.35 mm) board to hold the panel in the cabinet side trim.



## Custom Panel Series Side Panels

Custom side panels may be needed when not enough space is available to have cabinets on both sides of the refrigerator or when the refrigerator is placed at the end of a cabinet run. You may choose an Inset or Recessed Inset panel installation.

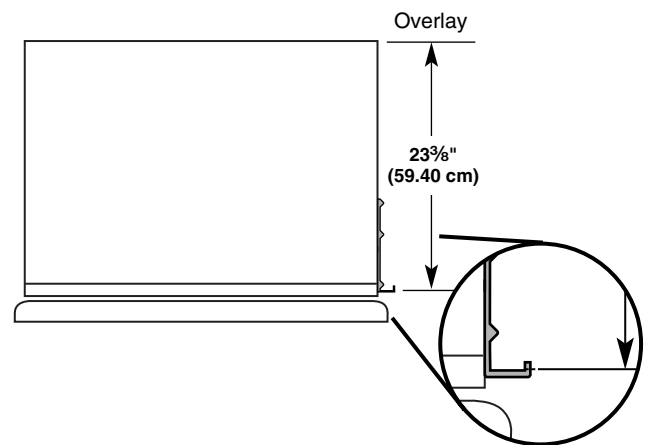
### Refrigerator and Side Trim Dimensions

The width and height of a side panel are determined by the type of installation you are planning.

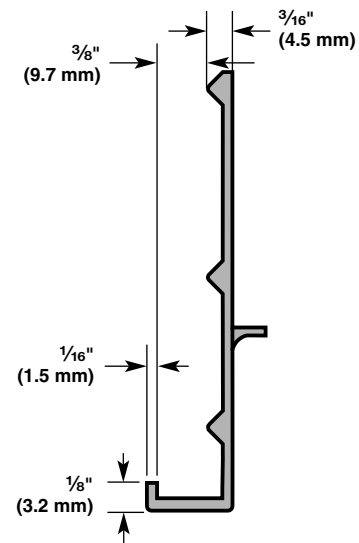
#### NOTES:

- The dimensions shown are actual product dimensions and may not reflect the needed installation dimensions.
- The side panel should be a minimum of  $\frac{1}{2}$ " (1.27 cm) thick to avoid warping.
- If the opening depth is 25" (63.5 cm) or more, you may want to install a support board on rear wall.

### Refrigerator

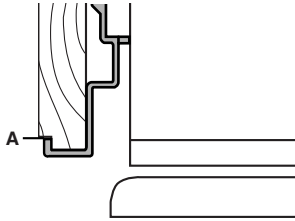


### Side Trim



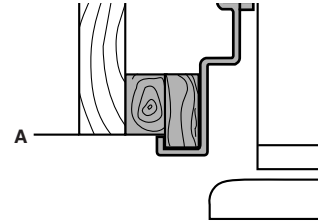
## Inset Installation Dimensions

1. Measure the distance from point A (as shown) to the back wall. Add  $\frac{1}{32}$ " (0.8 mm) to this measurement to allow the side panel to fit into the trim.
2. If the panel is more than  $\frac{3}{8}$ " (9.5 mm) thick, rout the front edge to allow the side panel to fit into the trim.



## Recessed Inset Installation Dimensions

1. Measure the distance from point A (as shown) to back wall.
2. Rout the front edge of the support board or attach a  $\frac{3}{8}$ " (9.5 mm) board to hold the panel in the cabinet side trim.



# INSTALLATION REQUIREMENTS

## Tools and Parts

### IMPORTANT:

- Installer: Leave Installation Instructions with the homeowner.
- Homeowner: Keep Installation Instructions for future reference. Save these Installation Instructions for the local electrical inspector's use.

### Tools needed:

Gather the required tools and parts before starting installation. Read and follow the instructions provided with any tools listed here.

- Hand drill or electric drill (properly grounded)
- Drill bits
- Adjustable wrenches (2)
- Phillips screwdriver
- Small level
- Appliance dolly
- T27 Torx<sup>†</sup> screwdriver
- $1\frac{1}{32}$ " nut driver
- $\frac{3}{8}$ " and  $\frac{1}{2}$ " open-end wrenches
- $\frac{5}{32}$ " Allen wrench
- $\frac{5}{16}$ " socket wrench
- Tape measure

### Parts needed:

- #8 x 3" (7.6 cm) or longer wood screws (6)
- 2" x 4" x 32" (5 cm x 10 cm x 81 cm) wood board (1 or 2)
- Make custom or overlay panels or consult a qualified cabinetmaker or carpenter to make the panels. See "Design Specifications."
- If you are connecting the water line directly to copper tubing and not to a shutoff valve, you need a ferrule, a union, and a  $\frac{1}{4}$ " (6.35 mm) compression fitting.

## Location Requirements

The refrigerator can be recessed in an opening between cabinets or installed at the end of a cabinet run using a side panel to enclose the refrigerator.

## ! WARNING



### Explosion Hazard

Keep flammable materials and vapors, such as gasoline, away from refrigerator.

Failure to do so can result in death, explosion, or fire.

### IMPORTANT:

- Observe all governing codes and ordinances.
- It is recommended that you do not install the refrigerator near an oven, radiator, or other heat source.
- Do not install in a location where the temperature will fall below 55°F (13°C).
- Floor must support the refrigerator weight, more than 600 lbs (272 kg), door panels and contents of the refrigerator.
- Ceiling height must allow for side tipping radius. See "Tipping Radius."
- Location should permit door to open fully. See "Door Swing Dimensions."
- Location must permit top grille removal. See "Opening Dimensions."

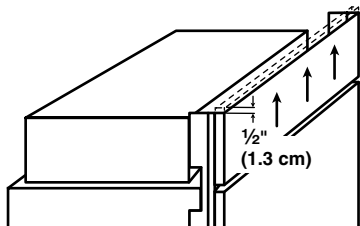
## Opening Dimensions

- To avoid tipping during use, the solid soffit must be within 1" (2.5 cm) maximum above the refrigerator. If the solid soffit is higher than 1" (2.5 cm) or one is not available, then the refrigerator must be braced.

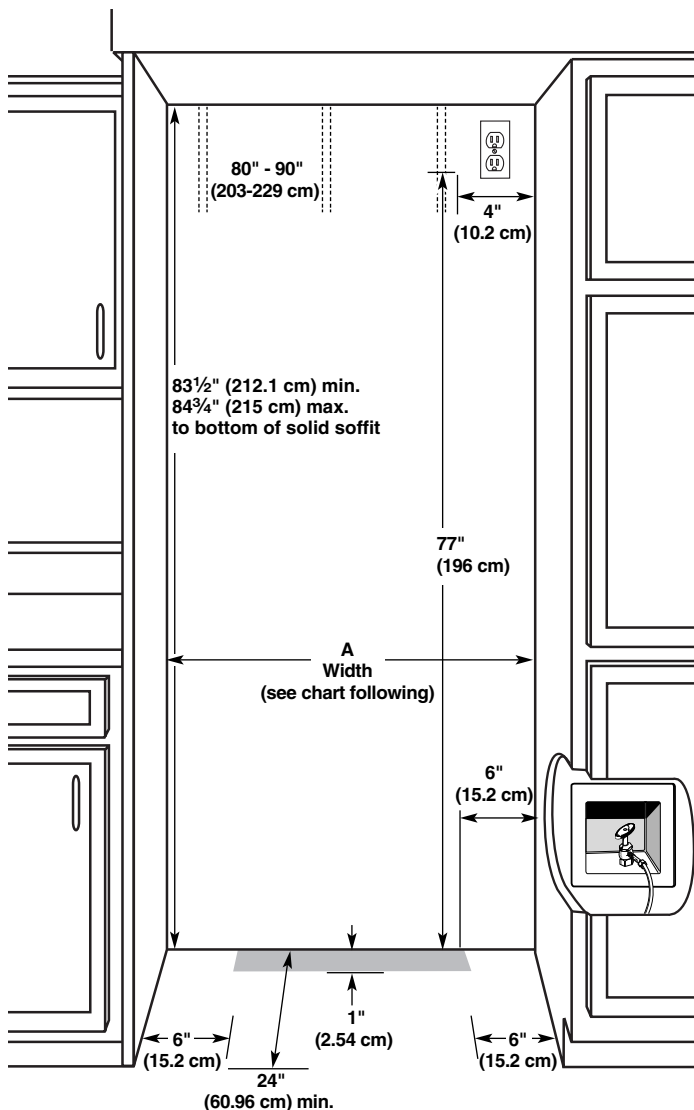
<sup>†</sup>TORX is a registered trademark of Textron Innovations Inc.

If the anti-tip boards are needed, they must be attached to the rear wall studs 80" to 90" (203 to 229 cm) above the floor. See "Install Anti-Tip Boards" for more information.

**NOTE:** A clearance of 1/2" (1.3 cm) must be maintained above the top grille in order for the top grille to be removed.



- A grounded 3 prong electrical outlet should be placed within 4" (10.2 cm) of the right side cabinets or end panel. See "Electrical Requirements" for additional information.
- The water shutoff should be located in the base cabinet on either side of the refrigerator or some other easily accessible area. If the water shutoff valve is not in the cabinets, the plumbing for the water line can come through the floor or the back wall. See "Water Supply Requirements" for more information.



Model	Width A (as shown above)
42	41 1/2" (105.4 cm) to 41 3/4" (106.1 cm)
48	47 1/2" (120.7 cm) to 47 3/4" (121.3 cm)

## Electrical Requirements

### ⚠ WARNING



#### Electrical Shock Hazard

Plug into a grounded 3 prong outlet.

Do not remove ground prong.

Do not use an adapter.

Do not use an extension cord.

**Failure to follow these instructions can result in death, fire, or electrical shock.**

Before you move your refrigerator into its final location, it is important to make sure you have the proper electrical connection.

#### Recommended Grounding Method

A 115 Volt, 60 Hz., AC only, 15- or 20-amp fused, grounded electrical supply is required. It is recommended that a separate circuit serving only your refrigerator be provided. Use an outlet that cannot be turned off by a switch. Do not use an extension cord.

**IMPORTANT:** If this product is connected to a GFCI (Ground Fault Circuit Interrupter) protected outlet, nuisance tripping of the power supply may occur, resulting in loss of cooling. Food quality and flavor may be affected. If nuisance tripping has occurred, and if the condition of the food appears poor, dispose of it.

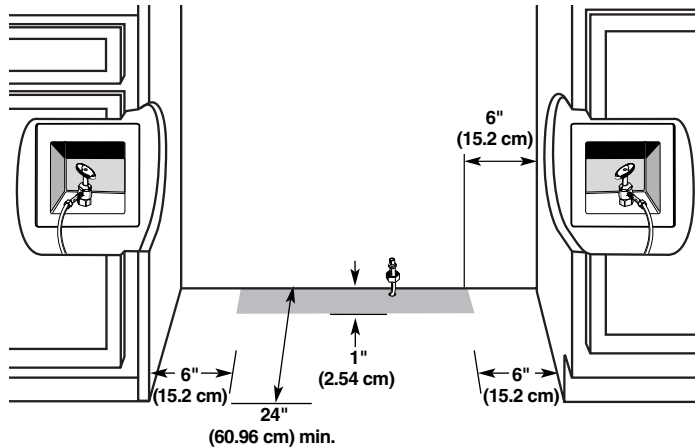
**NOTE:** Before performing any type of installation, cleaning, or removing a light bulb, remove the top grille and turn the master power switch to OFF or disconnect power at the circuit breaker box.

When you are finished, turn ON the master power switch or reconnect power at the circuit breaker box. Then reset the control to the desired setting.

## Water Supply Requirements

- All installations must meet local plumbing code requirements.
- The water shutoff should be located in the base cabinet on either side of the refrigerator or some other easily accessible area. The right-hand side is recommended. The access hole through the cabinet must be within ½" (12.7 mm) of the rear wall.

**NOTE:** If the water shut off valve is in the back wall behind the refrigerator, it must be at an angle so that the tube is not kinked when the refrigerator is pushed into its final position.



- If the water shutoff valve is not in the cabinets, the plumbing for the water line can come through the floor. A ½" (12.7 mm) hole for plumbing should be drilled at least 6" (15.2 cm) from the right or left hand side cabinet or panel. On the floor, the hole should be no more than 1" (2.54 cm) away from the back wall. See "Connect the Water Supply."
- If additional tubing is needed, use copper tubing and check for leaks. Install the copper tubing only in areas where the household temperatures will remain above freezing.

- Do not use a piercing-type or ⅜" (4.76 mm) saddle valve which reduces water flow and clogs more easily.

**NOTE:** Your refrigerator dealer has a kit available with a ¼" (6.35 mm) saddle-type shutoff valve, a union, and copper tubing. Before purchasing, make sure a saddle-type valve complies with your local plumbing codes.

### Water Pressure

A cold water supply with water pressure between 30 and 120 psi (207 and 827 kPa) is required to operate the water dispenser and ice maker. If you have questions about your water pressure, call a licensed, qualified plumber.

### Reverse Osmosis Water Supply

**IMPORTANT:** The pressure of the water supply coming out of a reverse osmosis system going to the water inlet valve of the refrigerator needs to be between 30 and 120 psi (207 and 827 kPa).

If a reverse osmosis water filtration system is connected to your cold water supply, the water pressure to the reverse osmosis system needs to be a minimum of 40 to 60 psi (276 to 414 kPa).

If the water pressure to the reverse osmosis system is less than 40 to 60 psi (276 to 414 kPa):

- Check to see whether the sediment filter in the reverse osmosis system is blocked. Replace the filter if necessary.
- Allow the storage tank on the reverse osmosis system to refill after heavy usage.
- If your refrigerator has a water filter cartridge, it may further reduce the water pressure when used in conjunction with a reverse osmosis system. Remove the water filter cartridge.

If you have questions about your water pressure, call a licensed, qualified plumber.

## INSTALLATION INSTRUCTIONS

### Unpack the Refrigerator

#### ⚠ WARNING



#### Tip Over Hazard

**Refrigerator is top heavy and tips easily when not completely installed.**

**Keep doors taped closed until refrigerator is completely installed.**

**Use two or more people to move and install refrigerator.**

**Failure to do so can result in death or serious injury.**

#### IMPORTANT:

- Do not remove the protective film until the refrigerator is in its operating position.

- All four leveling legs must contact the floor to support and stabilize the full weight of the refrigerator.
  - Keep the cardboard shipping piece or plywood under the refrigerator until it is installed in the operating position.
1. Remove and save the literature package and parts bag taped to the refrigerator door. Remove the four brackets (two on each side) that attach the shipping base to the refrigerator bottom.  
**NOTE:** Do not remove tape and door bracing until the refrigerator is in its final position.
  2. If necessary, reduce the tipping radius. See "Tipping Radius" for ceiling height requirements or "Reduce Tipping Radius" for step-by-step instructions. If you do not need to reduce the tipping radius, proceed to "Move the Refrigerator into House."



## Reduce Tipping Radius (if required)

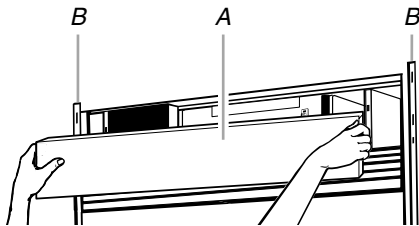
Before bringing the refrigerator into the home, be sure there is adequate ceiling height to stand the refrigerator upright. See "Tipping Radius" in the "Design Specifications" section for more information.

If you do not have adequate ceiling height to stand the refrigerator upright, the tipping radius can be reduced by removing the top grille and side trims (see the following chart).

Model	Reduced Tipping Radius
42" (106 cm)	88½" (224.8 cm)
48" (122 cm)	89¼" (226.7 cm)

### Custom Panel Series

1. Grasp both ends of the top grille.
2. Push the top grille straight up, then pull straight out. Lay the grille on a soft surface.

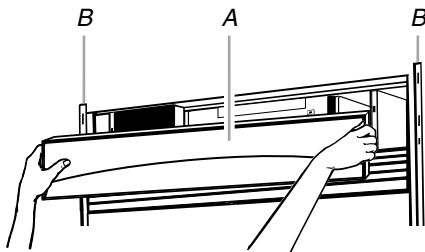


A. Top grille  
B. Cabinet side trim

3. Remove the six screws attaching each cabinet side trim to the refrigerator and remove the side trims.

### Stainless Steel Series

1. Grasp both ends of the top grille. Push the top grille straight up, then pull straight out. Lay the top grille on a soft surface.



A. Top grille  
B. Cabinet side trim

2. Remove the six screws attaching each cabinet side trim to the refrigerator and remove the side trims.

## Move the Refrigerator into House

### ⚠ WARNING



#### Tip Over Hazard

**Refrigerator is top heavy and tips easily when not completely installed.**

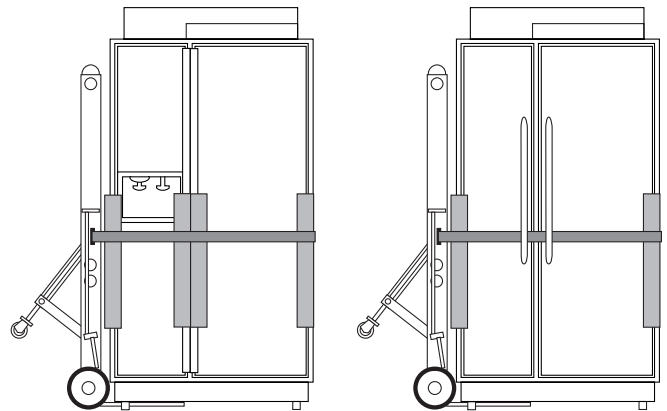
**Keep doors taped closed until refrigerator is completely installed.**

**Use two or more people to move and install refrigerator.**

**Failure do so can result in death or serious injury.**

1. Place an appliance dolly under the left side of the refrigerator as shown. Be sure to protect the side trims and handles. Place the corner posts from the packing materials over the trims and handles as appropriate. Slowly tighten the strap.

**NOTE:** Pass the dolly strap under the handles for the Curved and Professional Series.



2. Place pieces of the shipping carton on the floor when rolling the dolly and refrigerator into the house. Move the refrigerator close to the built-in opening.
3. Place top of cardboard carton or plywood under refrigerator. Remove dolly.
4. Do not remove protective film or cover.
5. If necessary, reassemble the trim and top grille after the dolly has been removed from the refrigerator.

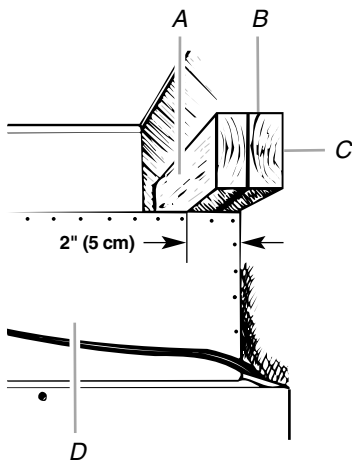
## Install Anti-Tip Boards

### IMPORTANT:

- To avoid tipping during use, the solid soffit must be within 1" (2.5 cm) maximum above the refrigerator. If the solid soffit is higher than 1" (2.5 cm) or one is not available, then the refrigerator must be braced.
- It is recommended that board(s) be installed before the refrigerator is installed.
- Board(s) must be long enough to fully cover the width of the compressor cover.
- Locate the board(s) so the bottom surface(s) of the board(s) is(are) 84" (213 cm) from the floor.
- During installation, raise the refrigerator up so there is ¼" (6.35 mm) maximum between the top of the refrigerator and the bottom of the anti-tip board(s). Do not crush the compressor cover when raising the rear leveling legs.

### To Install Anti-tip Boards

1. Mark the stud locations on rear wall 80" to 90" (203 cm to 229 cm) above floor.
2. Securely attach one or two 2" x 4" x 32" (5 cm x 10 cm x 81 cm) boards to wall studs behind refrigerator. Use six #8 x 3" (7.6 cm) (or longer) wood screws. The wood screws must be screwed into the studs at least 1½" (3.8 cm). The board(s) must overlap the compressor cover.



- A. Center board ¼" (6.35 mm) max. above refrigerator  
B. Two 2" x 4" x 32" (5 cm x 10 cm x 81 cm) boards  
C. Attach to studs with six #8 x 3" (7.6 cm) screws  
D. Compressor cover

## Connect the Water Supply

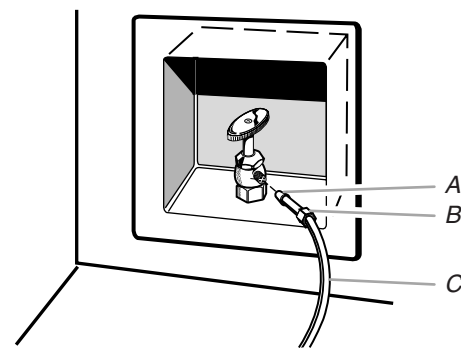
Read all directions before you begin.

**IMPORTANT:** If you turn the refrigerator on before the water line is connected, turn the ice maker OFF.

### Style 1 - Shutoff Valve Connection

**NOTE:** If your water line connection does not look like Style 1, see "Style 2 - Copper Line Connection."

1. Unplug refrigerator or disconnect power supply.  
**IMPORTANT:** Before attaching the tubing to shutoff valve, flush the main water supply line to remove particles and air in the water line. Allow enough flow so that water becomes clear. Flushing the water line may help avoid filters and/or water valves from becoming clogged.
2. Remove the shipping tape from the gray, coiled water tubing on the rear of the refrigerator.
3. Thread the provided nut onto the shutoff valve as shown.



- A. Bulb  
B. Nut  
C. Water tubing

4. Turn shutoff valve ON.
5. Check for leaks. Tighten any nuts or connections (including connections at the valve) that leak.
6. Plug in the refrigerator or reconnect power.
7. Flush the water system. See "Water System Preparation."

**NOTE:** Allow 24 hours to produce the first batch of ice. Discard the first three batches of ice produced. Allow 3 days to completely fill ice container.

### Style 2 - Copper Line Connection

#### Connecting to Water Line

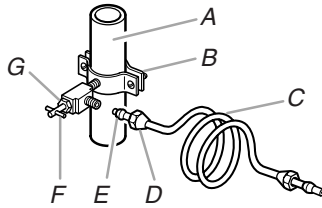
**NOTE:** If existing water line meets the "Water System Requirements," see "Connecting to Refrigerator."

1. Unplug refrigerator or disconnect power.
2. Turn OFF main water supply. Turn ON nearest faucet long enough to clear line of water.
3. Locate a ½" to 1¼" (1.25 cm to 3.18 cm) vertical cold water pipe near the refrigerator.

#### IMPORTANT:

- Make sure it is a cold water pipe.
- Horizontal pipe will work, but drill on the top side of the pipe, not the bottom. This will help keep water away from the drill and normal sediment from collecting in the valve.

- Determine the length of copper tubing you need. Measure from the connection on the lower left rear of refrigerator to the water pipe. Add 7 ft (2.1 m) to allow for cleaning. Use 1/4" (6.35 mm) O.D. (outside diameter) copper tubing. Be sure both ends of copper tubing are cut square.
- Using a grounded drill, drill a 1/4" (6.35 mm) hole in the cold water pipe you have selected.



A. Cold water pipe  
B. Pipe clamp  
C. Copper tubing  
D. Compression nut  
E. Compression sleeve  
F. Shutoff valve  
G. Packing nut

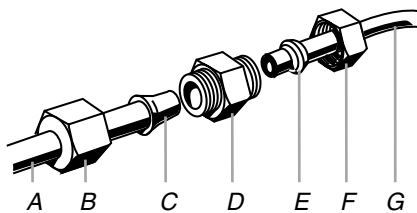
- Fasten the shutoff valve to the cold water pipe with the pipe clamp. Be sure the outlet end is solidly in the 1/4" (6.35 mm) drilled hole in the water pipe and that the washer is under the pipe clamp. Tighten the packing nut. Tighten the pipe clamp screws slowly and evenly so washer makes a watertight seal. Do not overtighten, or you may crush the copper tubing.
- Slip the compression sleeve and compression nut on the copper tubing as shown. Insert the end of the tubing into the outlet end squarely as far as it will go. Screw compression nut onto outlet end with adjustable wrench. Do not overtighten the clamp or the sleeve. This will crush the copper tubing.

**IMPORTANT:** Before attaching the tubing to shutoff valve, flush the main water supply line to remove particles and air in the water line. Allow enough flow so that water becomes clear. Flushing the water line may help avoid filters and/or water valves from becoming clogged.

- Turn off the shutoff valve on the water pipe. Coil the copper tubing.
- Check for leaks around the saddle valve.

#### Connecting to Refrigerator

- Unplug the refrigerator or disconnect power.
- Remove the shipping tape from the gray, coiled water tubing on the rear of the refrigerator.
- Measure the distance from the shutoff valve to the opening in which the refrigerator will be located. Tubing must be extended from the shutoff valve into the refrigerator opening following specific guidelines. See "Water Supply Requirements."
- A 1/4" x 1/4" (6.35 mm to 6.35 mm) coupling is needed in order to connect the water tubing to an existing household water line. Thread the provided nut onto the coupling on the end of the copper tubing.



A. Water tubing  
B. Nut  
C. Bulb  
D. Coupling (purchased)  
E. Ferrule (purchased)  
F. Nut (purchased)  
G. Household water line (as connected in previous section)

- Turn shutoff valve ON.
- Check for leaks. Tighten any nuts or connections (including connections at the valve) that leak.

- Plug in the refrigerator or reconnect power.
  - Flush the water system. See "Water System Preparation."
- NOTE:** Allow 24 hours to produce the first batch of ice. Discard the first three batches of ice produced. Allow 3 days to completely fill ice container.

## Plug in Refrigerator

### ⚠ WARNING



#### Electrical Shock Hazard

Plug into a grounded 3 prong outlet.

Do not remove ground prong.

Do not use an adapter.

Do not use an extension cord.

Failure to follow these instructions can result in death, fire, or electrical shock.

- Set control switch at top of cabinet to the OFF position.
- Plug into a grounded 3 prong outlet.

## Move Refrigerator to Final Location

### ⚠ WARNING



#### Tip Over Hazard

Refrigerator is top heavy and tips easily when not completely installed.

Keep doors taped closed until refrigerator is completely installed.

Use two or more people to move and install refrigerator.

Failure to do so can result in death or serious injury.

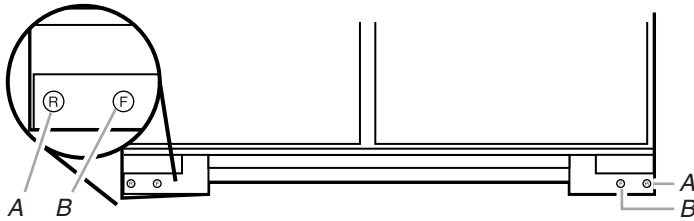
**IMPORTANT:** To avoid floor damage, make sure levelers are raised (not touching floor) and refrigerator is on rollers before moving.

- Place top of cardboard carton or plywood under refrigerator. Remove dolly.
- Do not remove protective film or cover.
- Move the refrigerator straight back and evenly into the opening. Be sure that the refrigerator side trims are not interfering with the door opening. Also, be sure that the water tubing is not kinked and the power supply cord is on top of the refrigerator.

## Lower Leveling Legs

**NOTE:** All four leveling legs must contact the floor to support and stabilize the full weight of refrigerator. Rollers are for moving refrigerator and not for permanent support.

Use a  $\frac{5}{16}$ " socket wrench to turn the leveling bolts clockwise to lower the 4 leveling legs until refrigerator weight is supported by leveling legs. The rollers should be off the floor. To avoid cabinet damage, do not apply more than 50 inch-pounds (58 cm - kg) of torque to the leveling legs.



A. Rear leveling legs  
B. Front leveling legs

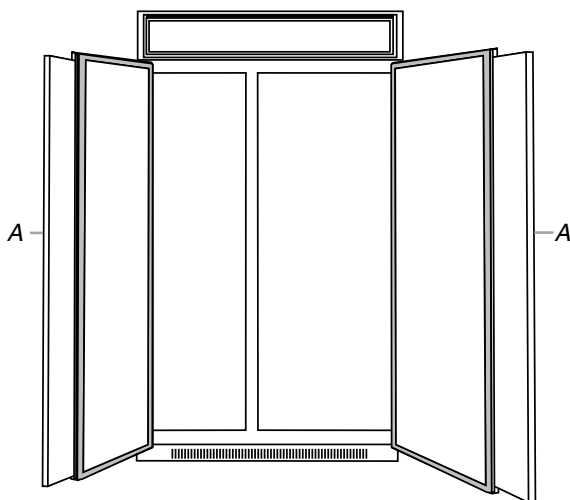
## Install Custom Panels

**IMPORTANT:** Thermador is not responsible for the removal or addition of molding or decorative panels that would not allow access to the refrigerator for service.

**NOTE:** To install full-overlay custom panels, refer to the installation instructions included with the Trimless Trim Kit. See "Design Specifications."

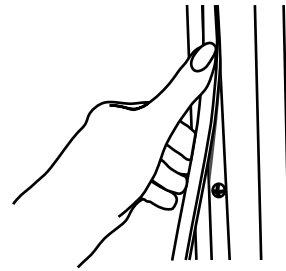
### Door Panels

1. Remove all tape and door bracing from the refrigerator and freezer doors.
2. Remove the screws that attach the handles to the door frame.
3. Slide the decorative door panels into the door frames.
4. If needed, route the door panels or install a filler panel between the doors and the decorative panels. See "Custom Panels."



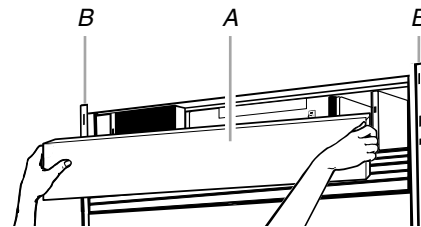
A. Panels

5. Replace the door handles. Be sure that the top of both door handles are aligned.
6. Remove the protective skin from the screw covers. Snap the screw covers into the handle trim section.



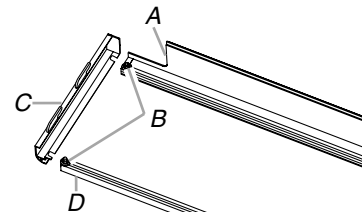
### Top Grille Panel

1. Grasp both ends of the top grille.
2. Push straight up, then pull straight out. Place the top grille panel-side down on a soft working surface.



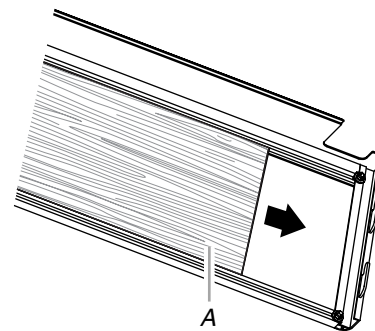
A. Top grille  
B. Cabinet side trim

3. Remove one end cap by loosening the nuts and sliding off the end cap.



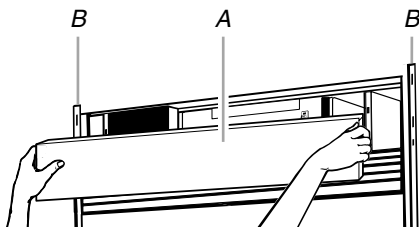
A. Bottom rail  
B. Nuts  
C. End cap  
D. Top rail

4. Slide the custom panel into the top grille channel and reattach the end cap.



A. Panel

- Replace the top grille in the cabinet side trims and pull the panel down slightly to lock it into place.

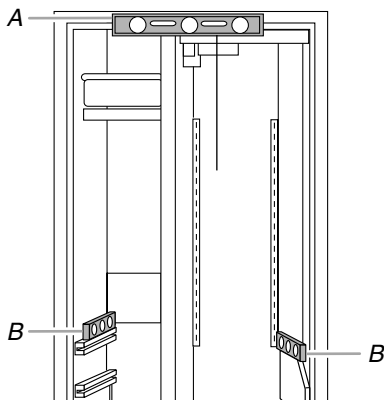


A. Top grille  
B. Cabinet side trim

## Level Refrigerator

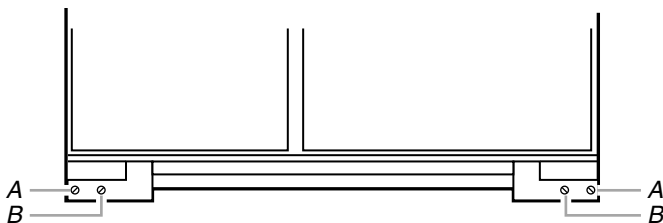
**NOTE:** Custom or full-overlay door panels must be installed before leveling the refrigerator.

- Open the doors and place the level on top of the refrigerator frame as shown. Check to see whether the refrigerator is level from left to right.



A. Level to check left to right leveling  
B. Level to check front to back leveling

- Use the leveling bolts to adjust the leveling legs until the refrigerator is level from left to right.



A. Rear leveling bolt  
B. Front level bolt

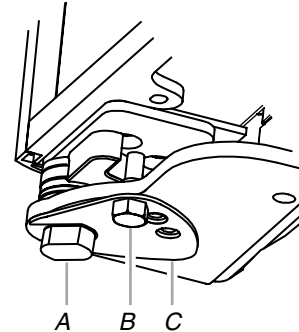
- Place the level(s) on shelf or shelves. Check to see whether the refrigerator is level from front to back.
- Use the leveling bolts to adjust the leveling legs until the refrigerator is level from front to back.
- Be sure that all four leveling legs contact the floor and support the full weight of the refrigerator.
- Make final check to ensure the refrigerator is level.

## Adjust Doors

### Door Height Adjustment

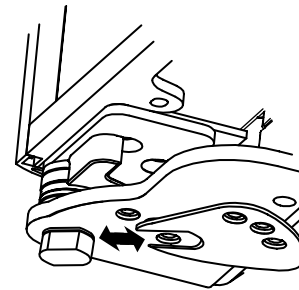
Use the following steps to adjust the door height, up or down, after the doors have been leveled.

- Open the freezer or refrigerator door. Remove the door stop screw from the bottom side of the bottom hinge.



A. Bushing  
B. Door stop screw  
C. Locking plate

- Remove the locking plate as shown.



- Turn the bushing located underneath the bottom of the hinge using the open-end wrench. Turning the bushing to the left (counterclockwise) will raise the door. Turning the bushing right (clockwise) will lower the door.
- After adjusting, check the doors to make sure they are even at the top and bottom. If the doors are not even, continue to turn the bushing to adjust the door height.
- Replace the locking plate.
- Turn the bushing slightly to align the hinge and locking plate screw holes.
- Replace the door stop screw or screws and tighten.
- Recheck to make sure the doors are aligned and even.

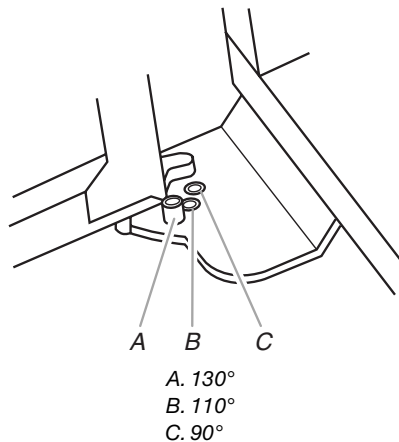
---

## Door Swing Adjustment

---

1. Check that the refrigerator door can open freely. If the door opens too wide or you are installing full-overlay custom panels using a Trimless Trim Kit, you should adjust the door swing.
2. Remove the door stop screw or screws (depending on your model) from the bottom hinge. See "Door Height Adjustment" earlier in this section.
3. Hold the door open to a position that is less than 90°.
4. Replace the door stop screw or screws in the bottom hinge and tighten.

**NOTE:** If you are using full-overlay custom panels with the Trimless Trim Kit, the door stop should be replaced in either the 90° or 110° position. See "Handle and Door Clearances for Custom Panel Series."



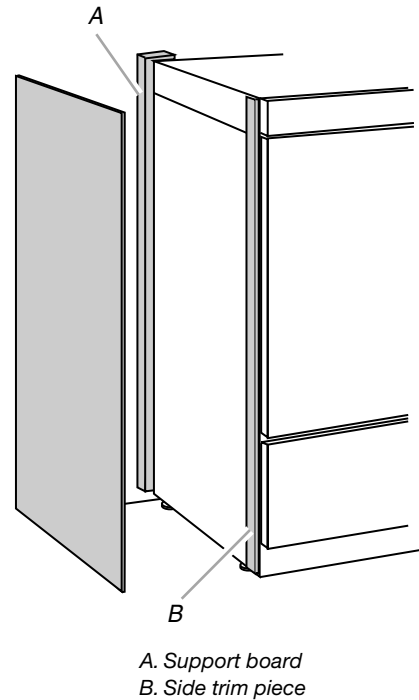
---

## Install Side Panel

If the built-in area depth is 25" (63.5 cm) or more, the side panels can be installed inside the side trim or attached to the outside of the side trim.

**IMPORTANT:** Thermador is not responsible for the removal or addition of molding or decorative panels that would not allow access to the refrigerator for service.

1. For the inside side trim piece, slide the front edge of the routed side panel into the trim piece.
2. Nail the rear edge of the panel to the support board.

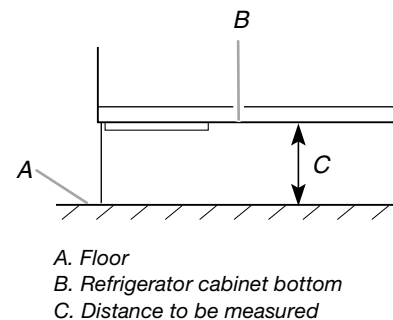


---

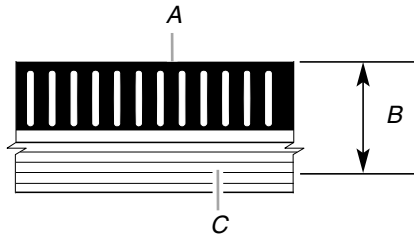
## Install Base Grille

There are two pieces to the base grille to allow for a custom fit: the base grille itself and the skirt. The skirt can be added to the base grille in order to extend it all the way to the floor.

1. Open the refrigerator door and measure the distance from the bottom of the refrigerator cabinet to the floor.



2. Measure this same distance from the top of the base grille to the closest "V" groove on the skirt. Use a knife to score down the "V" groove and break the skirt at the score line.



A. Grille and skirt assembly  
 B. Measured distance from above in Step 2  
 C. Score "V" groove

3. Slide the skirt onto the base grille.
4. Then attach the base grille to the cabinet with the two screws provided.

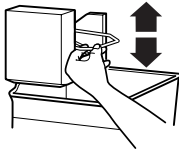
## Water System Preparation

Please read before using the water system.

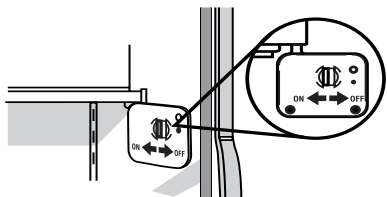
Immediately after installation, follow the steps below to make sure that the water system is properly cleaned.

1. Open the freezer door and turn off the ice maker. For **Style 1**, lift up the wire shutoff arm as shown. For **Style 2**, move the switch to the OFF (right) setting as shown. The On/Off switch is located on the top right side of the freezer compartment.

### Style 1 – Non-Dispenser Models



### Style 2 – Dispenser Models



**NOTE:** If your model has a base grille filter system, make sure the base grille filter is properly installed and the cap is in the horizontal position.

Do not use with water that is microbiologically unsafe or of unknown quality without adequate disinfection before or after the system. Systems certified for cyst reduction may be used on disinfected waters that may contain filterable cysts.

2. Use a sturdy container to depress and hold the water dispenser lever for 5 seconds, then release it for 5 seconds. Repeat until water begins to flow. Once water begins to flow, continue depressing and releasing the dispenser lever (5 seconds on, 5 seconds off) for an additional 2 minutes. This will flush air from the filter and water dispensing system. Additional flushing may be required in some households.

**NOTE:** As air is cleared from the system, water may spurt out of the dispenser.

3. Open the freezer door and turn on the ice maker. For **Style 1**, lower the wire shutoff arm. For **Style 2**, move the switch to the ON (left) position.
  - Allow 24 hours to produce the first batch of ice.
  - Discard the first three batches of ice produced.
  - Depending on your model, you may want to select the maximum ice feature to increase the production of ice.

## Complete Installation

1. Turn the water supply line valve to the "Open" position.
2. Turn the refrigerator switch to the ON position. See "Power On/Off Switch" in the Use & Care Guide for instructions. Wait a few minutes. Check the water line connections for leaks.
3. Remove all boxes, parts packages and packing materials from the interior of the refrigerator. See the "Cleaning" section in the Use & Care Guide for instructions. Remove the protective film and cardboard from the grille and doors or door frame, depending on your model.
4. Install the shelves and bins in the refrigerator and freezer compartments.
5. The controls are preset at the factory to the midpoint setting. Check to be sure that the compressor is operating properly and that all the lights are working.
6. Flush the water system before use. See "Water System Preparation."

To get the most efficient use from your new built-in refrigerator, read your Use & Care Guide. Keep Installation Instructions and Use & Care Guide near the built-in refrigerator for easy reference.

# SEGURIDAD DEL REFRIGERADOR

## Su seguridad y la seguridad de los demás es muy importante.

Hemos incluido muchos mensajes importantes de seguridad en este manual y en su electrodoméstico. Lea y obedezca siempre todos los mensajes de seguridad.



Este es el símbolo de advertencia de seguridad.

Este símbolo le llama la atención sobre peligros potenciales que pueden ocasionar la muerte o una lesión a usted y a los demás.

Todos los mensajes de seguridad irán a continuación del símbolo de advertencia de seguridad y de la palabra "PELIGRO" o "ADVERTENCIA". Estas palabras significan:

 **PELIGRO**

Si no sigue las instrucciones de inmediato, usted puede morir o sufrir una lesión grave.

 **ADVERTENCIA**

Si no sigue las instrucciones, usted puede morir o sufrir una lesión grave.

Todos los mensajes de seguridad le dirán el peligro potencial, le dirán cómo reducir las posibilidades de sufrir una lesión y lo que puede suceder si no se siguen las instrucciones.

## **ADVERTENCIA**



### Peligro de Vuelco

El refrigerador puede volcarse cuando está siendo instalado debido a que la parte superior es pesada.

Mantenga las puertas cerradas con cinta hasta que el refrigerador esté completamente instalado.

Use dos o más personas para mover e instalar el refrigerador.

No seguir estas instrucciones puede ocasionar la muerte o herida seria.

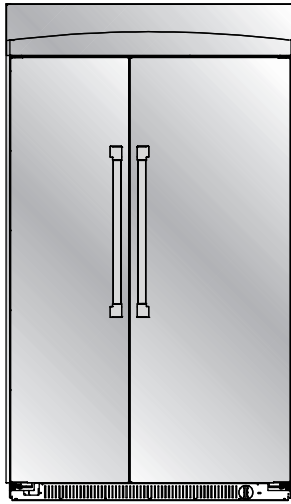


---

# ESPECIFICACIONES DE DISEÑO

---

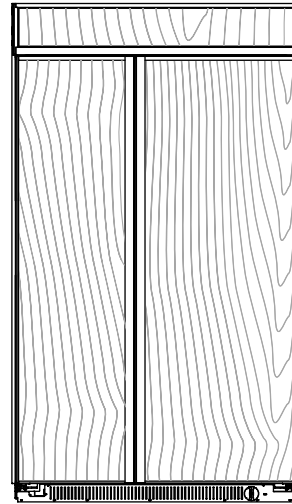
## Modelos - Refrigeradores de dos puertas sin despachador



### Serie en acero inoxidable

Presenta un estilo con exterior de acero inoxidable.

KBUI4255E      KBUI4265E  
KBUI4855E      KBUI4865E



### Serie de paneles a la medida

Presenta un adorno de estilo tradicional instalado de fábrica que ofrece una apariencia "enmarcada". Esta serie requiere la instalación de paneles a la medida que no están incluidos.

KBUI4275E      KBUI4875E

---

### TRIMKITSXS - Juego de adorno sin borde

En la serie de paneles a la medida, usted puede crear una apariencia "sin marco" usando paneles a la medida totalmente recubiertos. Necesitará pedir un juego de adorno sin borde para TRIMKITSXS de dos puertas. Este juego de accesorio contiene partes para reemplazar el adorno de fábrica.

Se requieren los paneles a la medida totalmente recubiertos y las agarraderas, los cuales no están incluidos en el juego de accesorios. Cree los paneles de acuerdo a las especificaciones en la sección "Paneles a la medida totalmente recubiertos". Puede pedir un juego de agarraderas Thermador o seleccionar las agarraderas en otro lugar. Para los espacios de la puerta, vea "Espacios para la agarradera y la puerta para la serie de paneles a la medida".

### Juegos de agarraderas

Para usarse con modelos de acero inoxidable. Usted puede comprar un tipo de agarradera diferente del que se provee con su modelo. Consulte al distribuidor para más detalles.

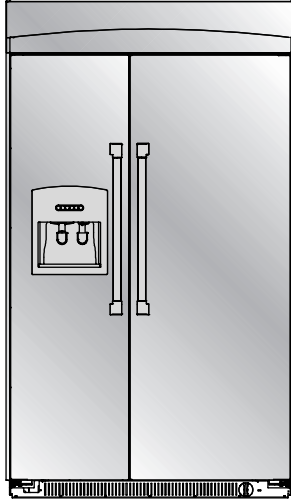
CURVHNDL10 - Juego de agarradera curva  
PROHNDL160 - Juego de agarradera Pro  
PROHNDL165 - Juego de agarradera Designer Pro  
MASTHNDL55 - Juego de agarradera Masterpiece

### EXTHANDSXS - Juego de agarradera extensible para refrigeradores de dos puertas

Este juego puede ser necesario si usted instala un panel a la medida en relieve. Vea "Espacios para la agarradera y la puerta para la serie de paneles a la medida".

---

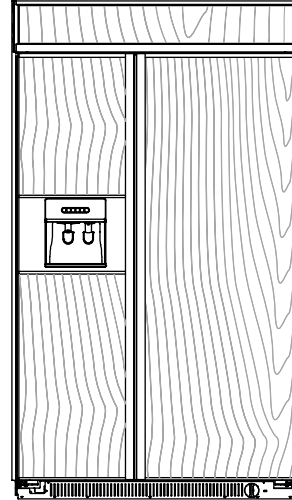
## Modelos - Refrigeradores de dos puertas con despachador



### Serie en acero inoxidable

Presenta un estilo con exterior de acero inoxidable.

KBUDT4255E      KBUDT4265E  
KBUDT4855E      KBUDT4865E



### Serie de paneles a la medida

Presenta un adorno de estilo tradicional instalado de fábrica que ofrece una apariencia "enmarcada". Esta serie requiere la instalación de paneles a la medida que no están incluidos.

KBUDT4275E      KBUDT4875E

---

### TRIMKITSXS - Juego de adorno sin borde

En la serie de paneles a la medida, usted puede crear una apariencia "sin marco" usando paneles a la medida totalmente recubiertos. Necesitará pedir un juego de adorno sin borde para TRIMKITSXS de dos puertas. Este juego de accesorio contiene partes para reemplazar el adorno de fábrica.

Se requieren los paneles a la medida totalmente recubiertos y las agarraderas, los cuales no están incluidos en el juego de accesorios. Cree los paneles de acuerdo a las especificaciones en la sección "Paneles a la medida totalmente recubiertos". Puede pedir un juego de agarraderas Thermador o seleccionar las agarraderas en otro lugar. Para los espacios de la puerta, vea "Espacios para la agarradera y la puerta para la serie de paneles a la medida".

### Juegos de agarraderas

Para usarse con modelos de acero inoxidable. Usted puede comprar un tipo de agarradera diferente del que se provee con su modelo. Consulte al distribuidor para más detalles.

CURVHNDL10 - Juego de agarradera curva  
PROHNDL160 - Juego de agarradera Pro  
PROHNDL165 - Juego de agarradera Designer Pro  
MASTHNDL55 - Juego de agarradera Masterpiece

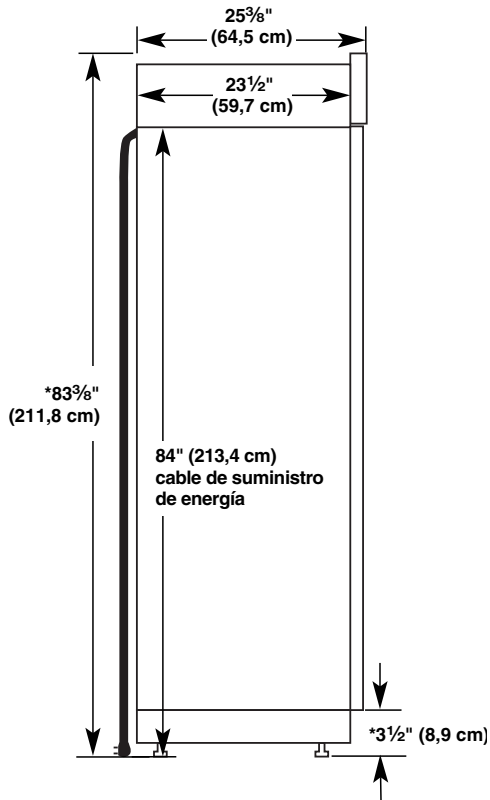
### EXTHANDSXS - Juego de agarraderas extensibles para refrigeradores de dos puertas

Este juego puede ser necesario si usted instala un panel a la medida en relieve. Vea "Espacios para la agarradera y la puerta para la serie de paneles a la medida".

## Medidas del producto

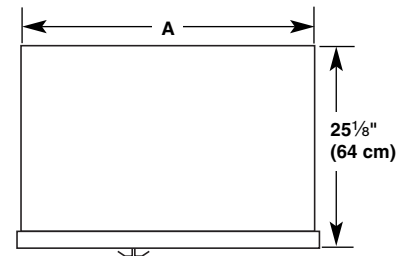
### Vista lateral

- La profundidad del frente de la rejilla superior a la parte posterior del gabinete del refrigerador es de 25 1/8" (64 cm).
- El cable de suministro de energía es de 84" (61 cm) de largo.
- La línea de agua ajustada a la parte posterior del refrigerador es de 5 pies (1,5 m) de largo. Las medidas de altura indicadas consideran las patas niveladoras extendidas 1/8" (3 mm) por debajo de los rodillos.



\*Si las patas niveladoras están totalmente extendidas 1 1/4" (32 mm) por debajo de los rodillos, agregue 1 1/8" (29 mm) a las medidas de altura.

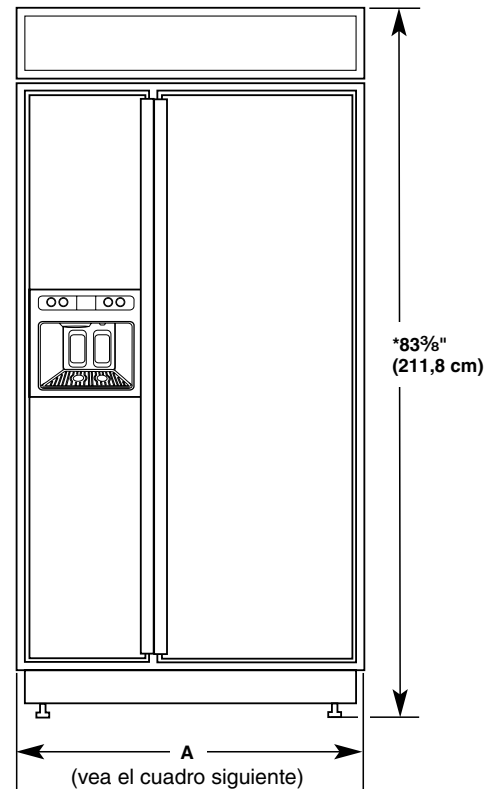
### Vista superior



Modelo	Anchura A
42" (106 cm)	41" (104 cm)
48" (122 cm)	47" (119 cm)

### Vista frontal

- Las medidas de anchura indicadas consideran la distancia de adorno externo a adorno externo.
- Las medidas de altura indicadas consideran las patas niveladoras extendidas 1/8" (3 mm) por debajo de los rodillos.



Modelo	Anchura A (de adorno externo a adorno externo)
42" (106 cm)	42 1/4" (107 cm)
48" (122 cm)	48 1/4" (123 cm)

\*Si las patas niveladoras están totalmente extendidas 1 1/4" (32 mm) por debajo de los rodillos, agregue 1 1/8" (29 mm) a las medidas de altura.

## Arco de vuelco

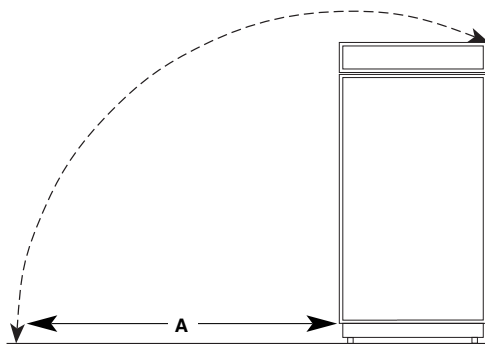
Asegúrese que dispone de suficiente altura al techo para que el refrigerador esté completamente derecho cuando lo mueva a su lugar.

- Si se utiliza una plataforma rodante, se debe agregar la altura de sus ruedas al arco de vuelco.
- Si desea, puede reducir el arco de vuelco. Vea la sección "Cómo reducir el arco de vuelco".

### Arco de vuelco lateral

El arco de vuelco lateral varía dependiendo de la anchura del modelo. Use el cuadro siguiente para determinar el arco de vuelco lateral.

**NOTA:** Se vuelca sólo de costado.



Modelo	Arco de vuelco A
42" (106 cm)	93" (236,2 cm)
48" (122 cm)	96" (243,8 cm)

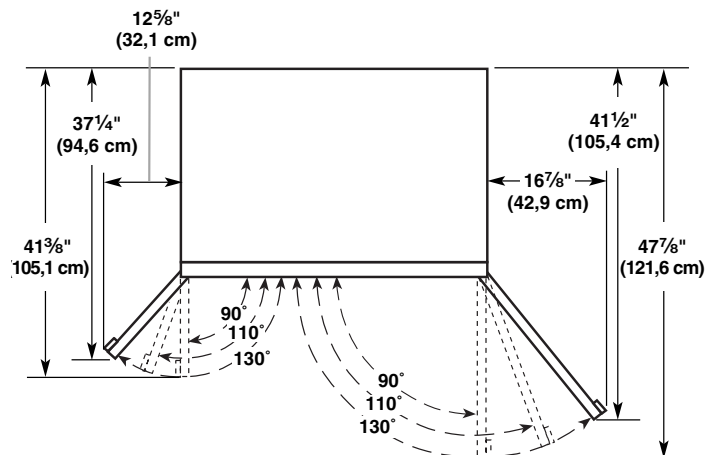
## Medidas de oscilación de las puertas

La ubicación debe permitir que las puertas se abran a un mínimo de 90°. Deje un espacio mínimo de 4½" (11,4 cm) entre el lado del refrigerador y una pared de la esquina.

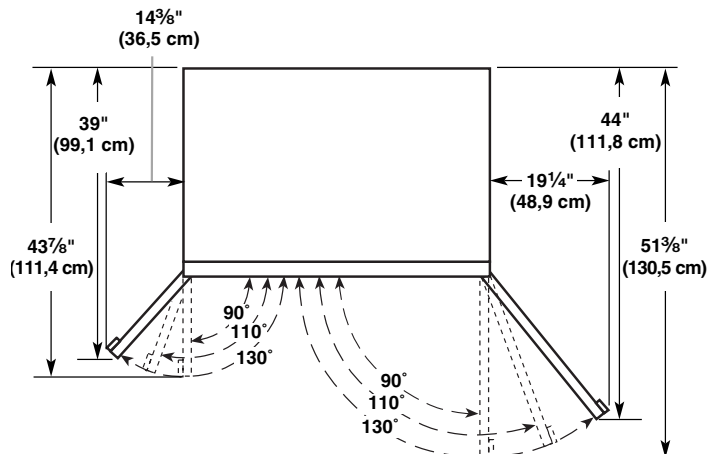
**NOTA:** Puede ser que se requieran más espacios libres si está usando paneles recubiertos o agarraderas a la medida.

Para ajustar la oscilación de las puertas, vea la sección "Cómo ajustar las puertas".

### Modelos de 42" (106 cm)

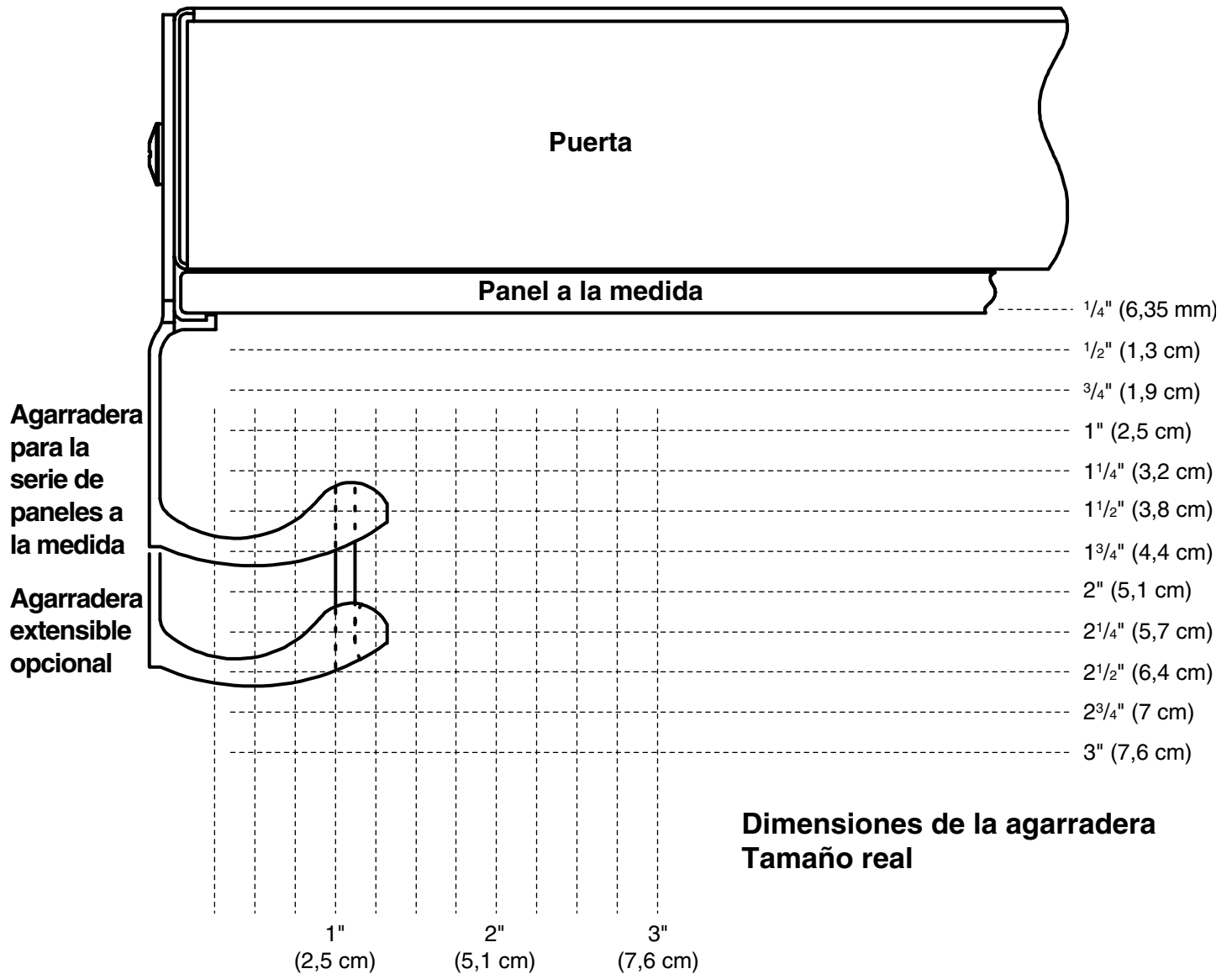


### Modelos de 48" (122 cm)



## Espacios para la agarradera y la puerta para la serie de paneles a la medida

Si está instalando paneles a la medida, los paneles deben dejar ciertos espacios para las agarraderas y para la abertura de la puerta. Puede ser necesario un juego de agarradera extendida si usted instala un panel a la medida en relieve. Vea la sección "Modelos" bajo "Especificaciones de diseño".



**Serie de paneles a la medida  
Espacios para los paneles a  
la medida totalmente recubiertos**

**Oscilación de la puerta 110°  
Tamaño real**

**Adorno lateral  
del refrigerador**

1" (2,5 cm)      2" (5,1 cm)  
3/4" (1,9 cm);      1 3/4" (4,4 cm);  
1/2" (1,3 cm);      1 1/2" (3,8 cm);  
1/4" (6,35 mm)      1 1/4" (3,2 cm);

**Bisagra**

1/4" (6,35 mm)

1/2" (1,3 cm)

3/4" (1,9 cm)

1" (2,5 cm)

1 1/4" (3,2 cm)

1 1/2" (3,8 cm)

1/2" (1,3 cm)

3/4" (1,9 cm)

1" (2,5 cm)

1 1/4" (3,2 cm)

1 1/2" (3,8 cm)

**Puerta**

**Panel de soporte**

**Panel a la medida**

**Panel espaciador**

**NOTA:** Para usar los paneles completos recubiertos a la medida, deberá pedir el Juego de adorno sin borde. Además, deberá pedir un juego de agarraderas Thermador o seleccionar las agarraderas en otro lugar. Vea la sección "Modelos" de "Especificaciones de diseño" para obtener información adicional y el juego específico.

## Paneles a la medida

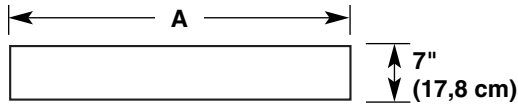
Si va a instalar paneles de madera a la medida, deberá hacerlos usted mismo o consultar un carpintero o fabricante de gabinetes calificado. Para obtener información acerca de las especificaciones de los paneles, vea los gráficos dimensionales.

**IMPORTANTE:** Los paneles que pesan más de lo recomendado pueden dañar a su refrigerador.

**NOTA:** Las medidas que se muestran deberán tener una tolerancia de  $(\pm) \frac{1}{16}$ " (1,5 mm). Los paneles de más de  $\frac{1}{4}$ " (6 mm) de grosor deberán contornearse. Si los paneles tienen menos de  $\frac{1}{4}$ " (6 mm) de grosor, instale un panel de relleno entre las puertas y los paneles decorativos.

### Panel de la rejilla superior

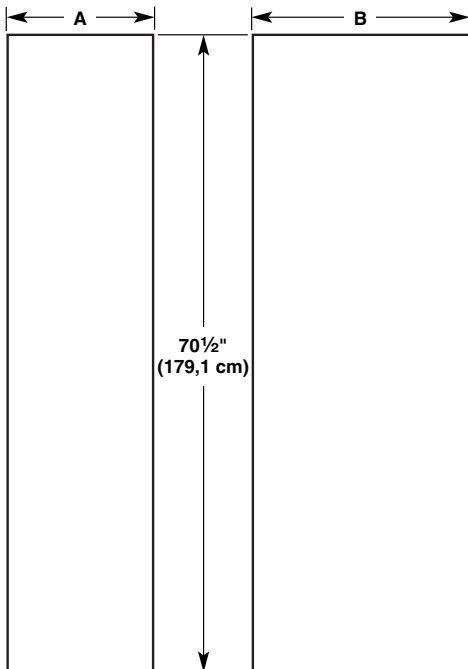
El panel superior no deberá pesar más de 10 lbs (4,5 kg) de peso total.



Modelo	A
42" (106,6 cm)	40½" (105 cm)
48" (122 cm)	46½" (120 cm)

### Paneles de puerta para modelos sin despachador

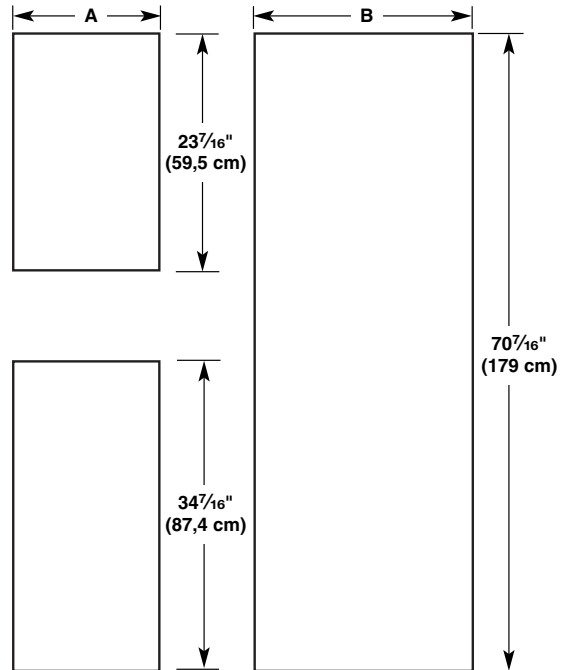
El panel del congelador no deberá pesar más de 30 lbs (13,5 kg) de peso total. El panel del refrigerador no deberá pesar más de 50 lbs (23 kg) de peso total.



Modelo	A	B
42" (106,7 cm)	16¾" (42,5 cm)	22¾" (57,8 cm)
48" (122 cm)	19¼" (48,9 cm)	26¼" (66,8 cm)

### Paneles de puerta para modelos con despachador

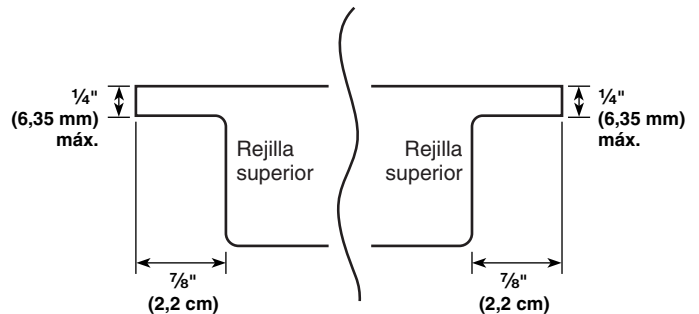
Los dos paneles del congelador juntos no deberán pesar más de 30 lbs (13,5 kg) de peso total. El panel del refrigerador no deberá pesar más de 50 lbs (23 kg) de peso total.



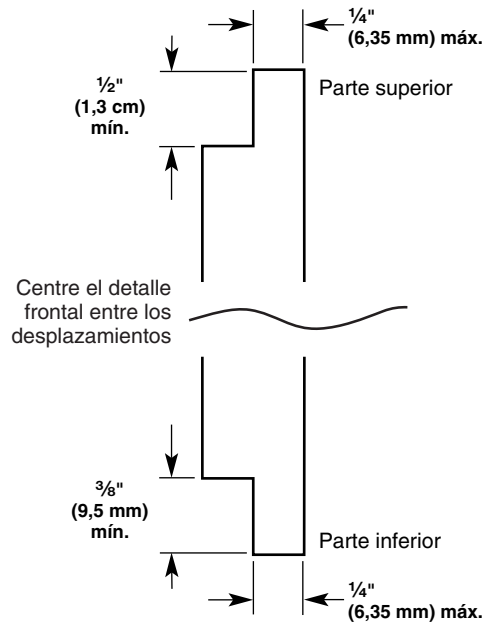
Modelo	A	B
42" (106,6 cm)	16¾" (42,5 cm)	22¾" (57,8 cm)
48" (122 cm)	19¼" (48,9 cm)	26¼" (66,8 cm)

### Requisitos de contorneado del panel de la rejilla superior

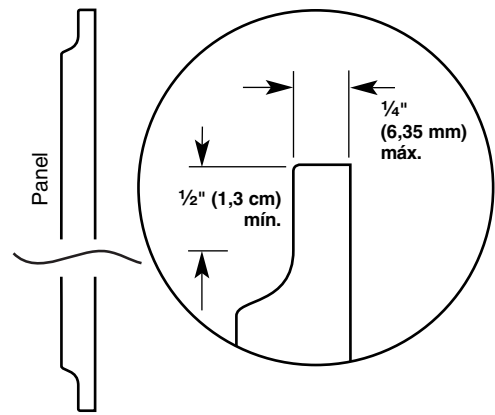
Los bordes superiores e inferiores del panel superior deberán ser contorneados por el borde  $\frac{1}{2}$ " (1,3 cm) y  $\frac{3}{8}$ " (9,5 mm) respectivamente. Los dos extremos deberán ser contorneados por el borde a  $\frac{7}{8}$ " (2,2 cm) tal como se muestra.



**NOTA:** Cuando haga un panel con detalles frontales, los desplazamientos estarán escondidos y se deberán tomar en cuenta para poder centrar el detalle en la rejilla superior.



## Panel de la puerta - Vista lateral



## Paneles a la medida totalmente recubiertos

Los paneles a la medida recubiertos le permiten combinar el exterior de su refrigerador con toda la decoración de la cocina y usar las agarraderas a la medida para mayor flexibilidad en el diseño.

**NOTA:** Para usar los paneles a la medida totalmente recubiertos, se requiere un Juego de adorno sin marco para refrigeradores de dos puertas (TRIMKITSXS). Se requieren los paneles a la medida totalmente recubiertos y las agarraderas, los cuales no están incluidos en el juego de accesorios. Cree los paneles de acuerdo a estas especificaciones. Puede pedir un juego de agarraderas Thermador (HANDKIT) o seleccionar las agarraderas en otro lugar. Vea la sección "Modelos" bajo "Especificaciones de diseño" para obtener información adicional.

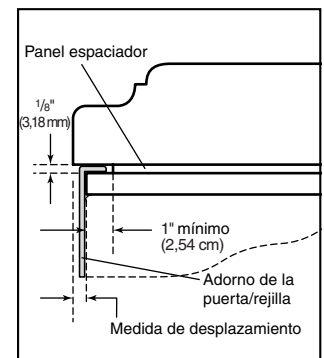
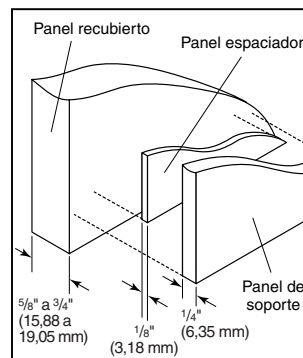
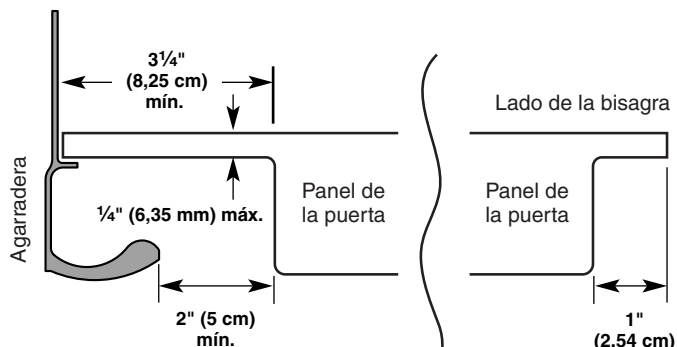
Los paneles a la medida deben tener paneles de soporte para montarlos en el refrigerador. Lo más común es trabajar con tres paneles, como se muestra en el siguiente gráfico: un panel decorativo recubierto, un panel espaciador de 1/8" (3,18 mm) o franjas espaciadoras y un panel de soporte de 1/4" (6,35 mm).

## Requisitos de contorneado de los paneles de la puerta

Si se usa el juego de agarraderas extendidas, no es necesario contorneado del lado de la agarradera de los paneles. Vea "Espacios para la agarradera y la puerta" para obtener más información y ordenar agarraderas extendidas.

Si se usa la agarradera común, contornee todo el lado de la agarradera de los dos paneles 3/4" (8,25 cm) para dejar espacio para los dedos. Después contornee los otros lados 1" (2,54 cm).

### Agarradera común — Vista superior



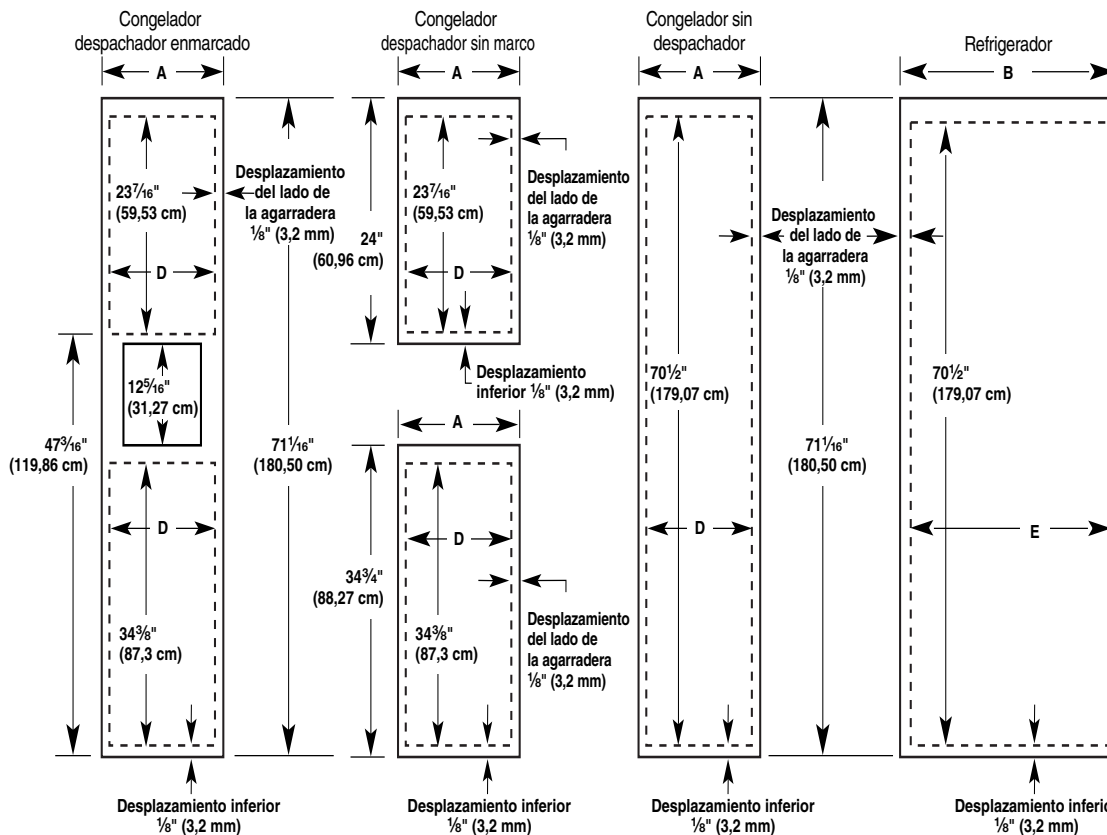
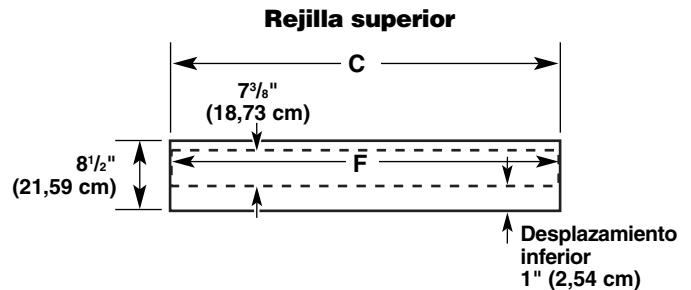


En algunos casos, el fabricante de gabinetes puede elegir trabajar con un panel trazado para las diferentes medidas. Siga estas instrucciones para las medidas del panel y la ubicación para asegurarse de que los paneles a la medida recubiertos encajarán adecuadamente.

**IMPORTANTE:**

- El peso total del panel recubierto de la puerta del refrigerador no puede ser mayor de 50 lbs (23 kg).
- El peso total del panel recubierto de la puerta del congelador no puede ser mayor de 30 lbs (13,5 kg).
- El peso total del panel recubierto de la rejilla superior no puede ser mayor de 10 lbs (4,5 kg).

Para minimizar el peso del panel, puede usar franjas espaciadoras de 2" (5,08 cm) alrededor del perímetro del panel de soporte. Las franjas espaciadoras deben fijarse a una distancia de al menos 1" (2,54 cm) de la parte superior, inferior y extremos laterales del panel de soporte. Si usa franjas espaciadoras, se recomienda que use 2 franjas de 2" (5,08 cm) centradas horizontalmente para soporte adicional.



Paneles decorativos recubiertos			
Modelo	A	B	C
42" (106 cm)	17 1/8" (43,50 cm)	23 3/8" (58,74 cm)	41 3/8" (105,09 cm)
48" (122 cm)	19 5/8" (49,85 cm)	26 5/8" (67,63 cm)	47 3/8" (120,33 cm)

Paneles de soporte			
Modelo	D	E	F
42" (106 cm)	16 15/16" (43,50 cm)	22 15/16" (58,26 cm)	40 1/2" (102,87 cm)
48" (122 cm)	19 7/16" (49,37 cm)	26 7/16" (67,15 cm)	46 1/2" (118,11 cm)

## Paneles laterales de la serie de acero inoxidable

Los paneles laterales a la medida pueden ser necesarios cuando no hay suficiente espacio disponible para tener gabinetes en los dos lados del refrigerador o cuando el refrigerador se coloca al final de una tira de gabinetes. Usted puede elegir una instalación de paneles empotrados, al ras o en relieve.

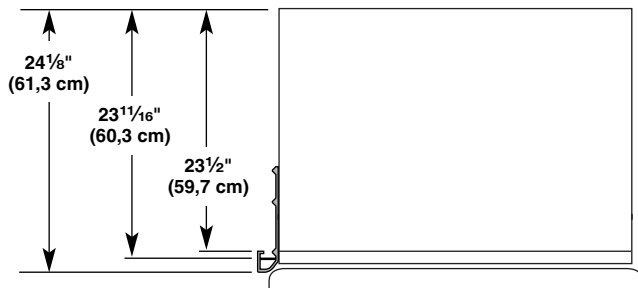
### Medidas del refrigerador y del adorno lateral

El ancho y la altura del panel lateral están determinados por el tipo de instalación que usted planifique.

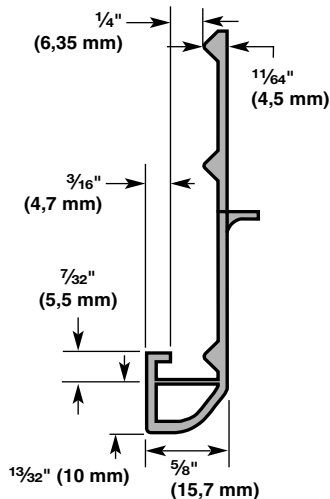
#### NOTAS:

- Las dimensiones que se muestran son las dimensiones exactas del producto y puede que no reflejen las dimensiones necesarias de la instalación del panel.
- El panel lateral deberá tener un grosor mínimo de  $\frac{1}{2}$ " (1,27 cm) para impedir pandeos.
- Si la profundidad de la abertura es de 25" (63,5 cm) o mayor, tal vez quiera instalar una tabla de soporte en la pared posterior.

#### Refrigerador

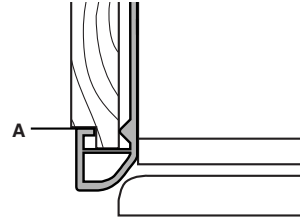


#### Adorno lateral



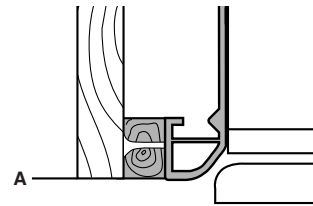
### Medidas para la instalación empotrada

1. Mida la distancia del punto A (como se muestra) a la pared posterior. Agregue  $\frac{7}{32}$ " (5,6 mm) a esta medida para que el panel lateral se ajuste dentro del adorno.
2. Si el panel tiene más de  $\frac{1}{4}$ " (6,35 mm) de grosor, contornee el borde delantero del panel para permitir que el panel lateral encaje en el adorno.



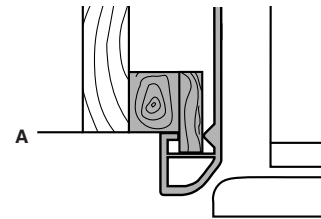
### Medidas para la instalación al ras

1. Mida la distancia del punto A (como se muestra) a la pared posterior.
2. Afiance el tablero de soporte con un tornillo o pegamento que sea compatible con aluminio y madera.



### Medidas para la instalación en relieve

1. Mida la distancia del punto A (como se muestra) a la pared posterior.
2. Contornee el borde delantero del tablero de soporte o afiance un tablero de  $\frac{1}{4}$ " (6,35 mm) para fijarlo en el adorno lateral del gabinete.



## Paneles laterales para la serie de paneles a la medida

Los paneles laterales a la medida pueden ser necesarios cuando no hay suficiente espacio disponible para tener gabinetes en los dos lados del refrigerador o cuando el refrigerador se coloca al final de una tira de gabinetes. Usted puede elegir una instalación de paneles empotrados o en relieve.

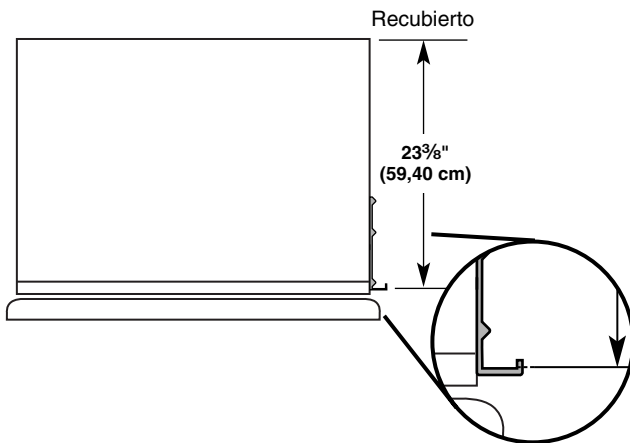
### Medidas del refrigerador y del adorno lateral

El ancho y la altura del panel lateral están determinados por el tipo de instalación que usted planifique.

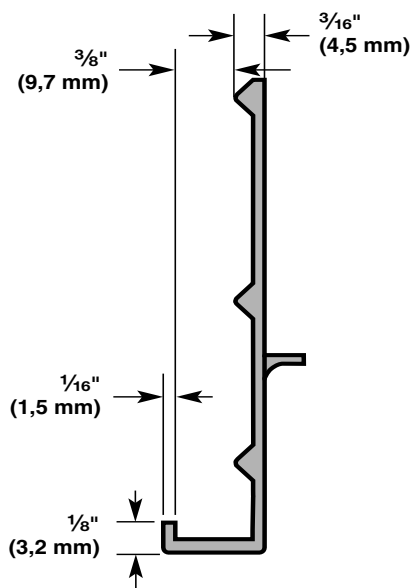
#### NOTAS:

- Las medidas que se muestran son las medidas exactas del producto y puede que no reflejen las dimensiones necesarias de la instalación.
- El panel lateral deberá tener un grosor mínimo de  $\frac{1}{2}$ " (1,27 cm) para impedir pandeos.
- Si la profundidad de la abertura es de 25" (63,5 cm) o mayor, tal vez quiera instalar una tabla de soporte en la pared posterior.

#### Refrigerador

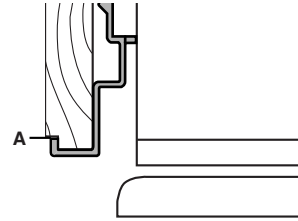


#### Adornos laterales



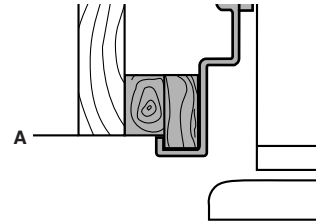
### Medidas para la instalación empotrada

1. Mida la distancia del punto A (como se muestra) a la pared posterior. Agregue  $\frac{1}{32}$ " (0,8 mm) a esta medida para que el panel lateral se ajuste dentro del adorno.
2. Si el panel tiene más de  $\frac{3}{8}$ " (9,5 mm) de grosor, contornee el borde delantero del panel para permitir que el panel lateral encaje en el adorno.



### Medidas para la instalación en relieve

1. Mida la distancia del punto A (como se muestra) a la pared posterior.
2. Contornee el canto delantero del tablero de soporte o afiance un tablero de  $\frac{3}{8}$ " (9,5 mm) para fijarlo al adorno lateral del gabinete.



## REQUISITOS DE INSTALACIÓN

### Piezas y herramientas

#### IMPORTANTE:

- Instalador: Deje las Instrucciones de instalación con el propietario.
- Propietario: Conserve las Instrucciones de instalación para referencia futura. Guarde estas Instrucciones de instalación para tenerlas a disposición del inspector de electricidad local.

#### Herramientas necesarias:

Reúna las herramientas y piezas necesarias antes de comenzar la instalación. Lea y siga las instrucciones provistas con cualquiera de las herramientas enlistadas aquí.

- |   |   |
|---|---|
| ■ Taladro manual o eléctrico (debidamente conectado a tierra) | ■ Destornillador Torx®† T27 de cabeza plana           |
| ■ Brocas  | ■ Llave para tuercas de $\frac{1}{32}$ "              |
| ■ Llaves ajustables (2)                                       | ■ Llaves de boca de $\frac{3}{8}$ " y $\frac{1}{2}$ " |
| ■ Destornillador Phillips                                     | ■ Llave Allen de $\frac{5}{32}$ "                     |
| ■ Nivel pequeño   | ■ Llave de cubo de $\frac{5}{16}$ "                   |
| ■ Plataforma rodante para electrodomésticos                   | ■ Cinta para medir                                    |

†®TORX es una marca registrada de Textron Innovations Inc.

### Piezas necesarias:

- Tornillos para madera #8 x 3" (7,6 cm) o más largos (6)
- Tableros de madera de 2" x 4" x 32" (5 cm x 10 cm x 81 cm) (1 ó 2)
- Haga los paneles a la medida o recubiertos, o consulte con un carpintero o ebanista calificado para elaborarlos. Para obtener más información, vea "Especificaciones de diseño".
- Si está conectando la línea de agua directamente a una tubería de cobre y no a una válvula de cierre, necesitará una férula, una unión y un accesorio de compresión de 1/4" (6,35 mm).

## Requisitos de ubicación

El refrigerador puede instalarse en un recinto entre los gabinetes o al extremo de una línea de gabinetes utilizando un panel lateral para cercar el refrigerador.

### ⚠ ADVERTENCIA



#### Peligro de Explosión

Mantenga los materiales y vapores inflamables, tales como gasolina, alejados del refrigerador.

No seguir esta instrucción puede ocasionar la muerte, explosión, o incendio.

### IMPORTANTE:

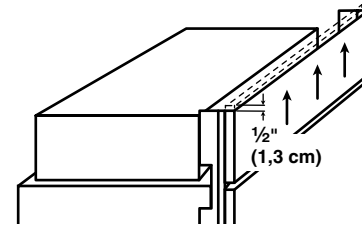
- Observe todos los códigos y reglamentos aplicables.
- No se recomienda instalar el refrigerador cerca de un horno, radiador u otra fuente de calor.
- No instale el refrigerador cerca de una ubicación en la que la temperatura puede bajar de los 55°F (13°C).
- El piso debe soportar el peso del refrigerador, más de 600 lbs (272 kg), los paneles de las puertas y el contenido del refrigerador.
- La altura del techo deberá permitir un arco de vuelco lateral. Vea "Arco de vuelco".
- La ubicación debe permitir que la puerta abra totalmente. Vea "Medidas de oscilación de la puerta".
- La ubicación debe permitir que se quite la rejilla superior. Vea "Medidas de la abertura".

### Medidas de la abertura

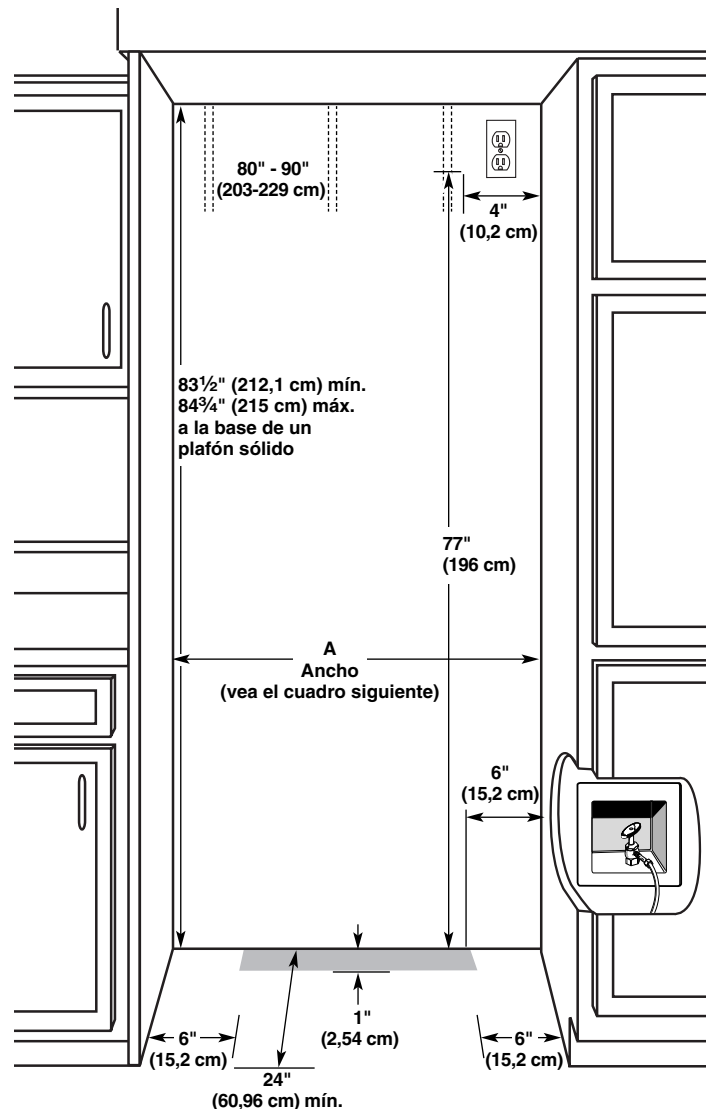
- Para evitar la inclinación durante el uso, el plafón sólido deberá estar a 1" (2,5 cm) como máximo por encima del refrigerador. Si el plafón sólido está a una altura de más de 1" (2,5 cm) o no hay ninguno disponible, entonces el refrigerador deberá tener un soporte.

Si se necesitan los tableros antivuelco, se deben ajustar en la parte posterior de los pies derechos de la pared de 80" a 90" (203 a 229 cm) arriba del piso. Vea "Cómo instalar los tableros antivuelco" para recibir más información.

**NOTA:** Se debe mantener un espacio de 1/2" (1,3 cm) por encima de la rejilla superior para que ésta pueda ser retirada.



- Un contacto de tres terminales con conexión a tierra debe ser ubicado a no más de 4" (10,2 cm) a la derecha de los gabinetes laterales o del panel del extremo. Vea "Requisitos eléctricos" para obtener información adicional.
- El cierre del agua deberá estar localizado en la base del gabinete, a cualquier lado del refrigerador o en algún otro lugar de fácil acceso. Si la válvula de cierre del agua no está en los gabinetes, la tubería para la línea del agua puede llegar a través del piso o de la pared trasera. Vea "Requisitos del suministro de agua" para obtener información adicional.



Modelo	Anchura A (como se muestra anteriormente)
42	41 1/2" (105,4 cm) a 41 3/4" (106,1 cm)
48	47 1/2" (120,7 cm) a 47 3/4" (121,3 cm)

## Requisitos eléctricos

### ⚠ ADVERTENCIA



#### Peligro de Choque Eléctrico

Conecte a un contacto de pared de conexión a tierra de 3 terminales.

No quite la terminal de conexión a tierra.

No use un adaptador.

No use un cable eléctrico de extensión.

No seguir estas instrucciones puede ocasionar la muerte, incendio o choque eléctrico.

Antes de mover el refrigerador a su posición definitiva, es importante asegurarse que Ud. tiene la conexión eléctrica adecuada.

#### Método de conexión a tierra recomendado

Se requiere una fuente de energía eléctrica de 115 Voltios, 60 Hz., CA solamente y con fusibles de 15 ó 20 amp, debidamente conectada a tierra. Se recomienda que se use un circuito separado sólo para su refrigerador. Use un tomacorriente que no se puede apagar con un interruptor. No use un cable eléctrico de extensión.

**IMPORTANTE:** Si este producto está conectado a un tomacorriente protegido por un interruptor del circuito de falla eléctrica de puesta a tierra (GFCI - Ground Fault Circuit Interrupter), puede ocurrir un disparo brusco del suministro de corriente, lo que resultará en una pérdida de enfriamiento. Esto puede afectar la calidad y el sabor de los alimentos. Si ha ocurrido un disparo brusco, y el alimento aparenta estar en malas condiciones, deshágase del mismo.

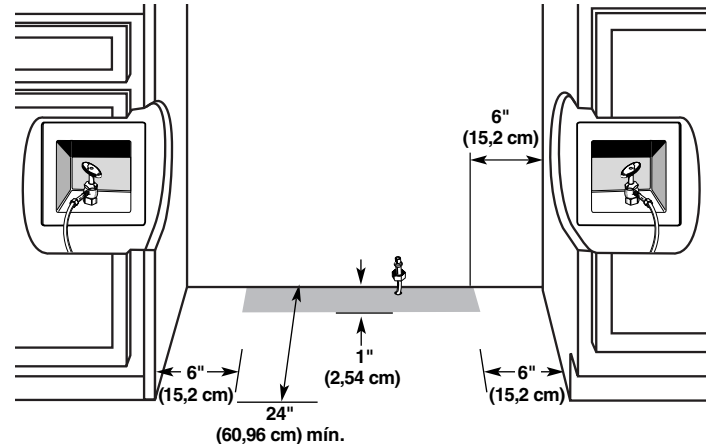
**NOTA:** Antes de realizar cualquier tipo de instalación, limpieza o quitar un foco, quite la rejilla superior y ponga el interruptor de alimentación en la posición OFF (Apagado) o desconecte el suministro de energía eléctrica en la caja de disyuntores.

Cuando haya terminado, ENCIENDA el interruptor de suministro de energía o reconecte el suministro de energía en la caja de disyuntores. Luego vuelva a ajustar el control en la posición deseada.

## Requisitos del suministro de agua

- Todas las instalaciones deben hacerse de acuerdo a los requerimientos locales de plomería.
- El cierre del agua deberá estar localizado en la base del gabinete, a cualquier lado del refrigerador o en algún otro lugar de fácil acceso. Recomendamos el lado derecho. El orificio de acceso a través del gabinete deberá estar a  $\frac{1}{2}$ " (12,7 mm) de la pared trasera cuando menos.

**NOTA:** Si la válvula de cierre de agua está en la pared posterior detrás del refrigerador, deberá haber un ángulo de manera que el tubo no se doble cuando se empuje el refrigerador hacia su posición final.



- Si la válvula de cierre del agua no está en los gabinetes, la tubería para la línea del agua puede llegar a través del piso. Deberá taladrarse un orificio de  $\frac{1}{2}$ " (12,7 mm) para la plomería a por lo menos 6" (15,2 cm) del lado derecho o izquierdo del gabinete o panel. En el piso, el orificio no debe estar a más de 1" (2,54 cm) de la pared trasera. Vea "Conecte el suministro de agua".
- Si necesita tubería adicional, use tuberías de cobre y revise si hay fugas. Instale la tubería de cobre sólo en áreas donde la temperatura vaya a permanecer por encima del punto de congelación.
- No use una válvula perforadora o una válvula de montura de  $\frac{3}{16}$ " (4,76 mm) que reduce el flujo de agua y se obstruye con más facilidad.

**NOTA:** El distribuidor de su refrigerador tiene disponible un juego con una válvula de cierre tipo montura de  $\frac{1}{4}$ " (6,35 mm), una unión y tubería de cobre. Antes de comprar, asegúrese que la válvula tipo montura cumpla con los códigos de plomería de su localidad.

## Presión del agua

Se necesita un suministro de agua fría con presión de agua entre 30 y 120 lbs/pulg<sup>2</sup> (207 y 827 kPa) para hacer funcionar el despachador de agua y la fábrica de hielo. Si usted tiene preguntas acerca de la presión de agua, llame a un plomero competente autorizado.

## Suministro de agua de ósmosis inversa

**IMPORTANTE:** La presión del suministro de agua que sale de un sistema de ósmosis inversa y va a la válvula de entrada de agua del refrigerador necesitará ser entre 30 y 120 lbs/pulg<sup>2</sup> (207 y 827 kPa).

Si se conecta un sistema de filtración de agua de ósmosis inversa al suministro de agua fría, la presión de agua al sistema de ósmosis inversa necesitará ser de un mínimo de 40 a 60 lbs/pulg<sup>2</sup> (276 a 414 kPa).

Si la presión del agua al sistema de ósmosis inversa es menor de 40 a 60 lbs/pulg<sup>2</sup> (276 a 414 kPa):

- Fíjese si el filtro de sedimentos en el sistema de ósmosis inversa está bloqueado y reemplácelo si fuera necesario.
- Deje que se vuelva a llenar el tanque de almacenaje del sistema de ósmosis inversa después del uso intenso.
- Si su refrigerador tiene un cartucho del filtro de agua, se podrá reducir la presión aún más si se usa en conjunto con un sistema de ósmosis inversa. Quite el cartucho del filtro de agua.

Si tiene preguntas acerca de la presión del agua, llame a un plomero competente autorizado.

## INSTRUCCIONES DE INSTALACIÓN

Cómo desempacar su refrigerador

### ⚠ ADVERTENCIA



#### Peligro de Vuelco

**El refrigerador puede volcarse cuando está siendo instalado debido a que la parte superior es pesada.**

**Mantenga las puertas cerradas con cinta hasta que el refrigerador esté completamente instalado.**

**Use dos o más personas para mover e instalar el refrigerador.**

**No seguir estas instrucciones puede ocasionar la muerte o herida seria.**

#### IMPORTANTE:

- No quite la película de protección de su refrigerador hasta que esté en su ubicación para el funcionamiento.
  - Las cuatro patas niveladoras deberán tocar el piso para soportar y estabilizar el peso total del refrigerador.
  - Mantenga un tramo de cartón de empaque o de madera contrachapada bajo el refrigerador hasta que esté instalado para el funcionamiento.
1. Quite y guarde todo el paquete de material impreso y la bolsa de piezas adherida a la puerta del refrigerador. Quite las cuatro ménsulas (dos de cada lado) que afianzan la base de empaque al fondo del refrigerador.
 

**NOTA:** No quite la cinta y los refuerzos de las puertas hasta que el refrigerador esté en su ubicación final.
  2. Si es necesario, reduzca el arco de vuelco. Vea "Arco de vuelco" para los requisitos de altura del techo o "Cómo reducir el arco de vuelco" para ver las instrucciones paso a paso. Si usted no necesita reducir el arco de vuelco, proceda con "Cómo hacer entrar el refrigerador en la casa".

## Cómo reducir el arco de vuelco (si es necesario)

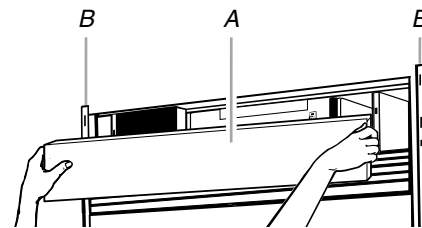
Antes de llevar el refrigerador a casa, asegúrese de que dispone de suficiente altura al techo para que el refrigerador esté completamente derecho. Vea "Arco de vuelco" en la sección "Especificaciones de diseño" para más información.

Si no se dispone de suficiente altura al techo para que el refrigerador esté completamente derecho, el arco de vuelco se puede reducir si quita la rejilla superior y los adornos laterales (vea el gráfico siguiente).

Modelo	Arco de vuelco reducido
42" (106 cm)	88½" (224,8 cm)
48" (122 cm)	89¼" (226,7 cm)

#### Serie de paneles a la medida

1. Tome ambos extremos de la rejilla superior.
2. Empuje la rejilla superior hacia arriba y luego tire directamente hacia afuera. Coloque la ensambladura de la rejilla sobre una superficie blanda.

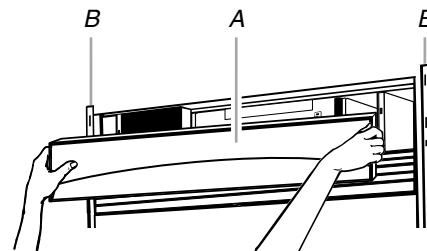


A. Rejilla superior  
B. Adorno lateral del gabinete

3. Quite los seis tornillos que afianzan el adorno lateral de cada gabinete al refrigerador y quite los adornos laterales.

#### Serie en acero inoxidable

1. Tome ambos extremos de la rejilla superior. Empuje la rejilla superior hacia arriba y luego tire directamente hacia afuera. Coloque la rejilla superior sobre una superficie blanda.



A. Rejilla superior  
B. Adorno lateral del gabinete

2. Quite los seis tornillos que afianzan el adorno lateral de cada gabinete al refrigerador y quite estos adornos laterales.



## Cómo hacer entrar el refrigerador en la casa

### **⚠️ ADVERTENCIA**



#### **Peligro de Vuelco**

**El refrigerador puede volcarse cuando está siendo instalado debido a que la parte superior es pesada.**

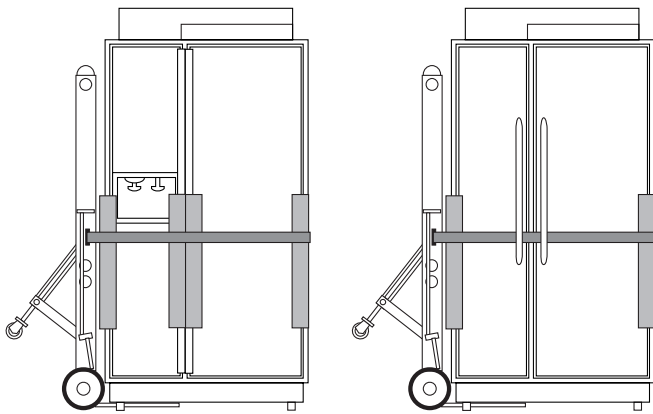
**Mantenga las puertas cerradas con cinta hasta que el refrigerador esté completamente instalado.**

**Use dos o más personas para mover e instalar el refrigerador.**

**No seguir estas instrucciones puede ocasionar la muerte o herida seria.**

1. Coloque una plataforma rodante para electrodomésticos debajo del refrigerador, en el lado del izquierdo como se muestra. Asegúrese de que los adornos laterales y las agarraderas estén protegidos. Inserte los postes esquineros de los materiales de empaque en los adornos y agarraderas apropiadamente. Apriete cuidadosamente la correa.

**NOTA:** Pase la correa de la plataforma rodante por debajo de las agarraderas para las series Professional y Designer.



2. Coloque unos tramos de cartón de embarque en el piso cuando haga rodar la plataforma rodante y el refrigerador al interior de la casa. Acerque el refrigerador a la abertura donde se va a empotrar.

**NOTA:** Si fuera necesario, reduzca el arco de vuelo. Vea "Reducción del arco de vuelo".

3. Coloque la parte superior del empaque de cartón o madera contrachapada debajo del refrigerador. Quite la plataforma rodante.
4. No quite la película o cubierta.
5. Si es necesario, vuelva a ensamblar el adorno y la rejilla superior después de quitar la plataforma rodante del refrigerador.

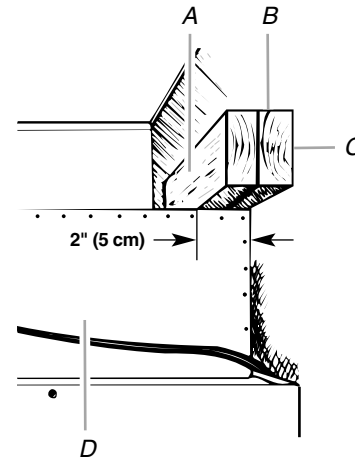
## Cómo instalar los tableros antivuelco

### **IMPORTANTE:**

- Para evitar la inclinación durante el uso, el plafón sólido deberá estar a 1" (2,5 cm) como máximo por encima del refrigerador. Si el plafón sólido está a una altura de más de 1" (2,5 cm) o no hay ninguno disponible, entonces el refrigerador deberá tener un soporte.
- Se recomienda que el (los) tablero(s) se instale(n) antes de la instalación del refrigerador.
- El (Los) tablero(s) deberá(n) ser suficientemente largo(s) para poder cubrir totalmente el ancho de la cubierta del compresor.
- Ubique el (los) tablero(s) de manera que la superficie inferior del (los) tablero(s) esté a 84" (213 cm) del piso.
- Durante la instalación, eleve el refrigerador de manera que haya un máximo de 1/4" (6,35 mm) entre la parte superior del refrigerador y el fondo del (de los) tablero(s) antivuelco. No aplaste la cubierta del compresor al levantar las patas niveladoras traseras.

### **Cómo instalar los tableros antivuelco**

1. Señale las ubicaciones para los montantes en la pared trasera, de 80" a 90" (203 a 229 cm) por encima del piso.
2. Afiance con seguridad uno o dos de los tableros de 2" x 4" x 32" (5 cm x 10 cm x 81 cm) a los montantes de pared detrás del refrigerador. Use 6 tornillos para madera #8 x 3" (7,6 cm) (o más largos). Los tornillos para madera deberán atornillarse un mínimo de 1 1/2" (3,8 cm) en los montantes. El (Los) tablero(s) debe(n) quedar superpuesto(s) encima de la cubierta del compresor.



A. Tablero central a 1/4" (6,35 mm) máximo por encima del refrigerador

B. Dos tableros de 2" x 4" x 32" (5 cm x 10 cm x 81 cm)

C. Afiance a los montantes con 6 tornillos #8 x 3" (7,6 cm)

D. Cubierta del compresor

## Conexión del suministro de agua

Lea todas las instrucciones antes de comenzar.

**IMPORTANTE:** Si usa el refrigerador antes de conectar la tubería de agua, ponga la fábrica de hielo en la posición OFF (Apagado).

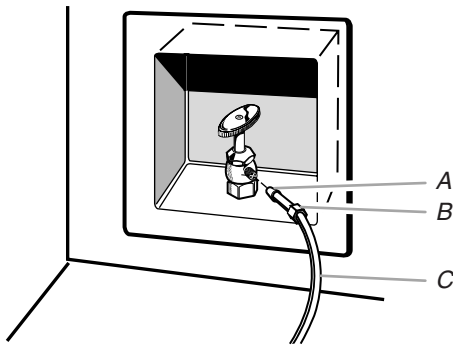
### Estilo 1 - Conexión de la válvula de cierre

**NOTA:** Si la conexión de la tubería de agua de su casa no se parece al Estilo 1, vea "Estilo 2 - Conexión de la tubería de cobre".

1. Desenchufe el refrigerador o desconecte el suministro de energía.

**IMPORTANTE:** Antes de fijar la tubería de cobre a la válvula de cierre, enjuague la tubería principal de agua para quitar las partículas y el aire de la tubería de agua. Deje correr bastante agua para que ésta se vea cristalina. El enjuagar la tubería de agua puede ayudar a evitar que los filtros y/o las válvulas de agua se obstruyan.

2. Quite la cinta de empaque de la tubería gris enrollada en la parte trasera del refrigerador.
3. Enrosque la tuerca provista sobre la válvula de cierre como se muestra.



A. Bulbo  
B. Tuerca  
C. Tubería de agua

4. ABRA la válvula de cierre.
5. Revise si hay fugas. Apriete aquellas tuercas o conexiones que tengan fugas (incluidas las conexiones en la válvula).
6. Enchufe el refrigerador o reconecte el suministro de energía.
7. Enjuague el sistema de agua. Vea "Preparación del sistema de agua".

**NOTA:** Deje transcurrir 24 horas para la producción del primer lote de hielo. Deshágase de los tres primeros lotes de hielo producidos. Deje transcurrir 3 días para que se vuelva a llenar de hielo el recipiente.

### Estilo 2 - Conexión de la tubería de cobre

#### Conexión a la línea de agua

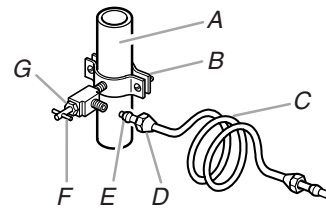
**NOTA:** Si la tubería de agua existente cumple con los "Requisitos del sistema de agua", vea "Conexión al refrigerador".

1. Desenchufe el refrigerador o desconecte el suministro de energía.
2. CIERRE el suministro principal de agua. ABRA la llave de agua más cercana el tiempo suficiente para que la tubería de agua se vacíe.

3. Busque una tubería vertical de agua fría de 1/2" a 1 1/4" (1,25 cm a 3,18 cm) cercana al refrigerador.

#### IMPORTANTE:

- Asegúrese de que sea una tubería de agua fría.
  - Una tubería horizontal funcionará, pero taladre por el lado de arriba de la tubería, no por debajo. Esto ayudará a mantener el agua alejada del taladro. Esto también evita que se junte sedimento normal en la válvula.
4. Determine la longitud de la tubería de cobre que necesite. Mida desde la conexión de la parte baja trasera izquierda del refrigerador hasta la tubería de agua. Agregue 7 pies (2,1 m) para permitir la limpieza. Use tubería de cobre de 1/4" (6,35 mm) de diámetro externo. Asegúrese que ambos extremos de la tubería de cobre están cortados a escuadra.
  5. Usando un taladro conectado a tierra, perfora un orificio de 1/4" (6,35 mm) en el tubo de agua fría que usted ha seleccionado.



A. Tubería de agua fría  
B. Abrazadera para tubería  
C. Tubería de cobre  
D. Tuerca de compresión  
E. Manga de compresión  
F. Válvula de cierre  
G. Tuerca de presión

6. Afiance la válvula de cierre a la tubería de agua fría con una abrazadera para tubería. Asegúrese que el extremo de salida esté firmemente insertado en el orificio taladrado de 1/4" (6,35 mm) en la tubería de agua y que la arandela esté por debajo de la abrazadera para tubería. Apriete la tuerca de presión. Apriete los tornillos de la abrazadera para tubería lentamente y en forma pareja de manera que la arandela provea un cierre hermético. No apriete demasiado porque se puede quebrar la tubería de cobre.
7. Deslice la manga de compresión y la tuerca de compresión sobre la tubería de cobre como se muestra. Inserte el extremo de la tubería en el extremo de salida en forma recta hasta donde sea posible. Atornille la tuerca de compresión con el extremo de salida usando la llave inglesa ajustable. No apriete demasiado la abrazadera o la manga. Se puede quebrar la tubería de cobre.

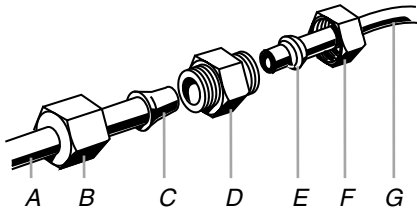
**IMPORTANTE:** Antes de fijar la tubería de cobre a la válvula de cierre, enjuague la tubería principal de agua para quitar las partículas y el aire de la tubería de agua. Deje correr bastante agua para que ésta se vea cristalina. El enjuagar la tubería de agua puede ayudar a evitar que los filtros y/o las válvulas de agua se obstruyan.

8. Cierre la válvula de cierre de la tubería de agua. Enrolle la tubería de cobre.
9. Busque fugas alrededor de la válvula tipo montura.



## Conexión al refrigerador

1. Desenchufe el refrigerador o desconecte el suministro de energía.
2. Quite la cinta de empaque de la tubería gris enrollada en la parte trasera del refrigerador.
3. Mida la distancia desde la válvula de cierre a la abertura en la que se ubicará el refrigerador. Deberá extenderse la tubería desde la válvula de cierre hacia la abertura del refrigerador, siguiendo las instrucciones específicas. Vea "Requisitos del suministro de agua".
4. Se necesita un acoplamiento de 1/4" x 1/4" (6,35 mm a 6,35 mm) para conectar la tubería de agua a una línea de agua existente de la casa. Enrosque la tuerca provista sobre el acoplamiento en el extremo de la tubería de cobre.



- A. Tubería de agua  
B. Tuerca  
C. Bulbo  
D. Acoplamiento (adquirido)  
E. Férula (adquirida)  
F. Tuerca (adquirida)  
G. Línea de agua de la casa (como se conectó en la sección anterior)

5. ABRA la válvula de cierre.
6. Revise si hay fugas. Apriete aquellas tuercas o conexiones que tengan fugas (incluidas las conexiones en la válvula).
7. Enchufe el refrigerador o reconecte el suministro de energía.
8. Enjuague el sistema de agua. Vea "Preparación del sistema de agua".

**NOTA:** Deje transcurrir 24 horas para la producción del primer lote de hielo. Deshágase de los tres primeros lotes de hielo producidos. Deje transcurrir 3 días para que se vuelva a llenar de hielo el recipiente.

## Cómo enchufar el refrigerador

### ⚠ ADVERTENCIA



#### Peligro de Choque Eléctrico

Conecte a un contacto de pared de conexión a tierra de 3 terminales.

No quite la terminal de conexión a tierra.

No use un adaptador.

No use un cable eléctrico de extensión.

No seguir estas instrucciones puede ocasionar la muerte, incendio o choque eléctrico.

1. Coloque el interruptor de control en la parte superior del gabinete en la posición OFF (Apagado).
2. Conecte a un contacto de pared de conexión a tierra de 3 terminales.

## Cómo mover el refrigerador a su ubicación final

### ⚠ ADVERTENCIA



#### Peligro de Vuelco

El refrigerador puede volcarse cuando está siendo instalado debido a que la parte superior es pesada.

Mantenga las puertas cerradas con cinta hasta que el refrigerador esté completamente instalado.

Use dos o más personas para mover e instalar el refrigerador.

No seguir estas instrucciones puede ocasionar la muerte o herida seria.

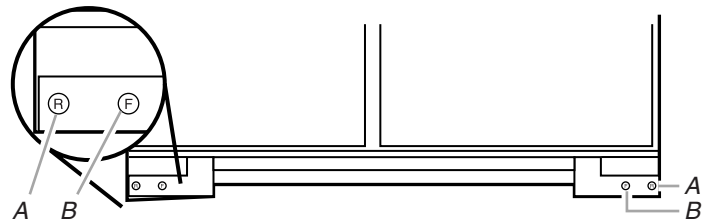
**IMPORTANTE:** Antes de mover el refrigerador y para evitar daños al piso, asegúrese que las patas niveladoras están levantadas (no están tocando el piso) y que el refrigerador se encuentra sobre los rodillos.

1. Coloque la parte superior del empaque de cartón o madera contrachapada debajo del refrigerador. Quite la plataforma rodante.
2. No quite la película o cubierta de protección.
3. Empuje el refrigerador directamente hacia atrás y en forma pareja hacia el interior de la abertura. Asegúrese de que los adornos laterales del refrigerador no interfieran con la abertura de la puerta. También asegúrese de que la tubería de agua no esté torcida y que el cable de suministro de energía esté encima del refrigerador.

## Baje las patas niveladoras

**NOTA:** Las cuatro patas niveladoras deberán hacer contacto con el piso para soportar y estabilizar el peso total del refrigerador. Los rodillos se usan para mover el refrigerador y nunca para un soporte permanente.

Con una llave de tubo de 5/16", gire los pernos niveladores hacia la derecha para bajar las 4 patas niveladoras hasta que las patas niveladoras soporten el peso del refrigerador. Los rodillos no deberán hacer contacto con el piso. Para evitar daños al gabinete, limite el torque aplicado a las patas niveladoras a no más de 50 pulg-lbs (58 cm-kg).



- A. Patas niveladoras traseras  
B. Patas niveladoras delanteras

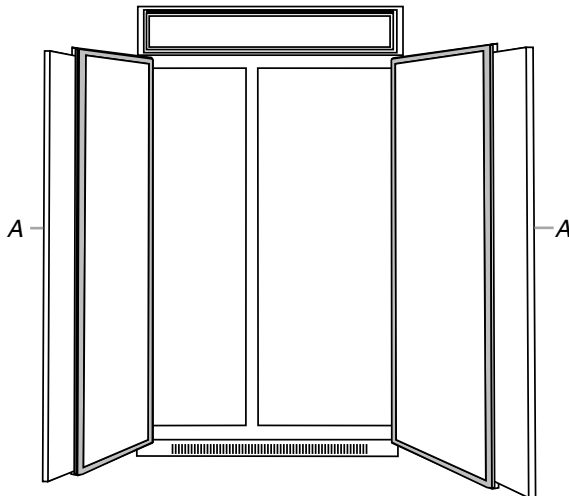
# Cómo instalar los paneles a la medida

**IMPORTANTE:** Thermador no es responsable de la remoción o adición de molduras o paneles decorativos que pudieran impedir el acceso al refrigerador para darle servicio.

**NOTA:** Para instalar los paneles a la medida totalmente recubiertos, tome como referencia las instrucciones de instalación que se incluyen con el Juego de adorno sin borde. Para obtener más información, vea las "Especificaciones de diseño".

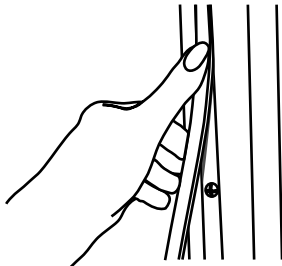
## Paneles de la puerta

1. Quite toda la cinta y los refuerzos de las puertas del congelador y del refrigerador.
2. Quite los tornillos que afianzan las agarraderas al marco de la puerta.
3. Deslice los paneles decorativos en los marcos de la puerta.
4. Si es necesario, contornee los paneles de la puerta o instale un panel de relleno entre las puertas y los paneles decorativos. Vea la sección "Paneles a la medida".



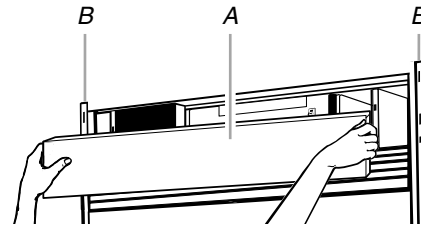
A. Paneles

5. Vuelva a colocar las agarraderas de las puertas. Verifique que la parte superior de ambas agarraderas esté alineada.
6. Quite la piel protectora de las cubiertas de los tornillos. Encaje las cubiertas de los tornillos en la sección del adorno de la agarradera.



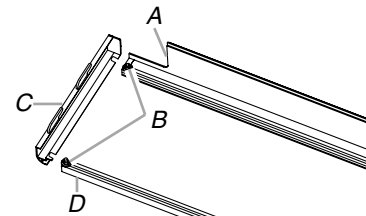
## Panel de la rejilla superior

1. Tome ambos extremos de la rejilla superior.
2. Empuje hacia arriba y luego tire directamente hacia afuera. Coloque la rejilla superior con el lado del panel hacia abajo sobre una superficie blanda.



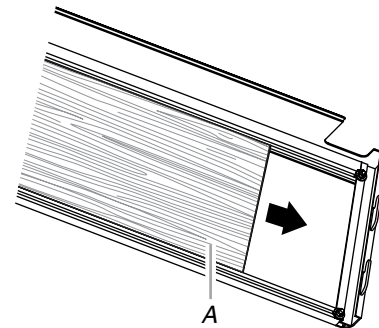
A. Rejilla superior  
B. Adorno lateral del gabinete

3. Quite una cubierta del borde aflojando las tuercas y deslizando la cubierta de borde hacia afuera.



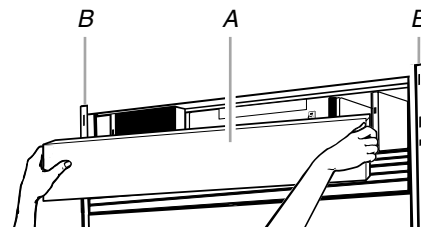
A. Riel inferior  
B. Tuercas  
C. Cubierta del borde  
D. Riel superior

4. Deslice el panel decorativo dentro de la rejilla superior y vuelva a colocar la cubierta de borde.



A. Panel

5. Vuelva a colocar la rejilla superior en los adornos laterales del gabinete y empuje ligeramente hacia abajo el panel para trabarlo en su lugar.

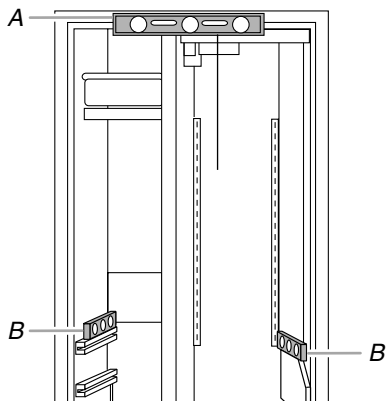


A. Rejilla superior  
B. Adorno lateral del gabinete

## Cómo nivelar el refrigerador

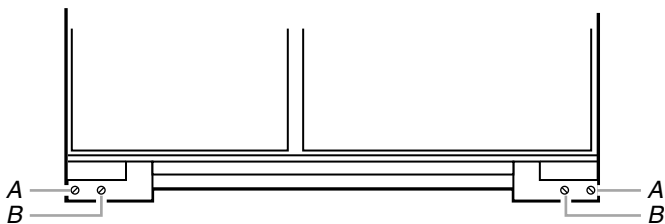
**NOTA:** Antes de nivelar el refrigerador deberán instalarse los paneles de la puerta de las series de paneles a la medida o totalmente recubiertos de la puerta.

1. Abra las puertas y coloque un nivel en la parte superior del marco del refrigerador como se muestra. Verifique que el refrigerador esté nivelado de izquierda a derecha.



A. Nivel para verificar la nivelación de izquierda a derecha  
B. Nivel para verificar la nivelación de adelante hacia atrás

2. Utilice los pernos niveladores para ajustar las patas niveladoras hasta que el refrigerador esté nivelado de izquierda a derecha.



A. Perno nivelador trasero  
B. Perno nivelador delantero

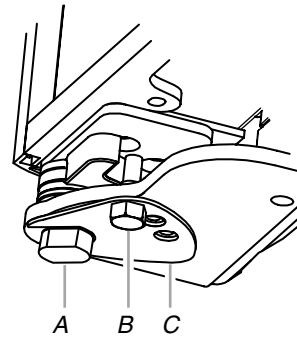
3. Coloque el(los) nivel(es) en el estante o estantes. Verifique que el refrigerador esté nivelado de adelante hacia atrás.
4. Utilice los pernos niveladores para ajustar las patas niveladoras hasta que el refrigerador esté nivelado de adelante hacia atrás.
5. Asegúrese que las cuatro patas niveladoras hagan contacto con el piso y soporten el peso total del refrigerador.
6. Haga una verificación final para asegurarse de que el refrigerador esté nivelado.

## Cómo ajustar las puertas

### Cómo ajustar la altura de la puerta

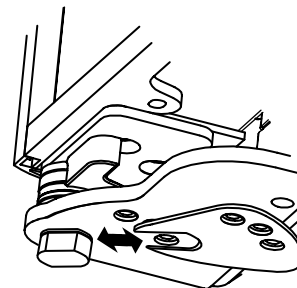
Siga los pasos a continuación para ajustar la altura de la puerta, hacia arriba o hacia abajo, una vez que se nivelaron las puertas.

1. Abra la puerta del congelador o del refrigerador. Quite el tornillo de tope de la puerta del lado inferior de la bisagra inferior.



A. Casquillo  
B. Tornillo de retención de la puerta  
C. Placa de traba

2. Quite la placa de traba, como se muestra.

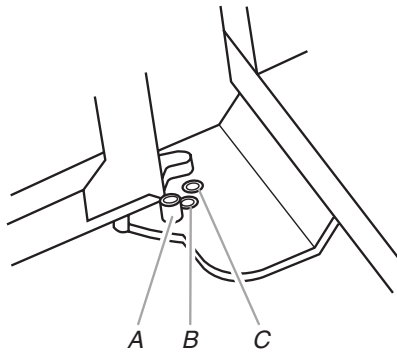


3. Usando la llave de boca, haga girar el casquillo ubicado debajo de la parte inferior de la bisagra. Si gira el casquillo a la izquierda (contra el sentido de las manecillas del reloj) elevará la puerta. Si gira el casquillo hacia la derecha (en el sentido de las manecillas del reloj) hará bajar a la puerta.
4. Después del ajuste asegúrese que las puertas estén parejas arriba y abajo. Si las puertas no están parejas, siga haciendo girar el casquillo hasta ajustar la altura de las puertas.
5. Vuelva a colocar la placa de traba.
6. Mueva ligeramente el casquillo para alinear los orificios de tornillo de la bisagra y de la placa de traba.
7. Vuelva a colocar el tornillo o los tornillos de retención de la puerta y apriételes.
8. Haga una verificación final para asegurarse de que las puertas estén alineadas y parejas.

## Cómo ajustar la oscilación de las puertas

1. Verifique que la puerta del refrigerador se pueda abrir con toda libertad. Si la puerta se abre demasiado o si va a instalar paneles a la medida totalmente recubiertos usando un Juego de adorno sin borde, deberá ajustar la oscilación de la puerta.
2. Quite el o los tornillos del tope de la puerta (dependiendo de su modelo) de la bisagra inferior. Vea "Cómo ajustar la altura de la puerta", anteriormente en esta sección.
3. Detenga la puerta abierta en un ángulo menor de 90°.
4. Vuelva a colocar el o los tornillos del tope de la puerta en la bisagra inferior y apriete.

**NOTA:** Si usa paneles a la medida totalmente recubiertos con el Juego de adorno sin borde, el tope de la puerta deberá reemplazarse en un ángulo de 90° ó 110°. Vea "Espacios para la agarradera y la puerta para la serie de paneles a la medida".



- A. 130°
- B. 110°
- C. 90°

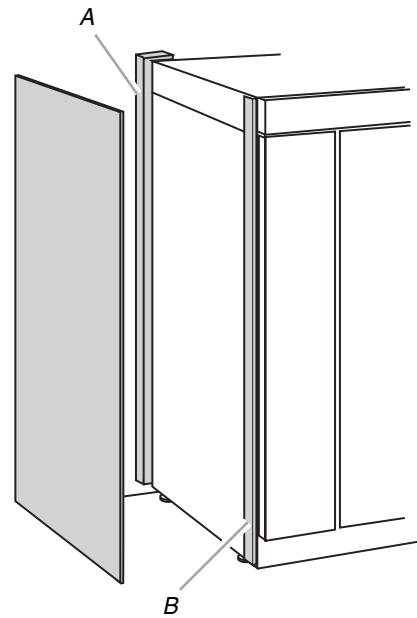
## Cómo instalar el panel lateral

Si la profundidad del área para empotrar es de 25" (63,5 cm) o más, los paneles laterales pueden instalarse dentro del adorno lateral o afianzarse a la parte externa del adorno lateral.

**IMPORTANTE:** Thermador no es responsable de la remoción o adición de molduras o paneles decorativos que pudieran impedir el acceso al refrigerador para darle servicio.

1. Para la pieza que va dentro del adorno lateral, deslice el borde delantero del lado contorneado del panel dentro de la pieza de adorno.

2. Clave el borde trasero del panel al tablero de soporte.

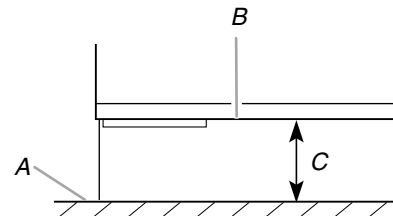


- 1. Tablero de soporte
- 2. Pieza de adorno lateral

## Cómo instalar la rejilla de la base

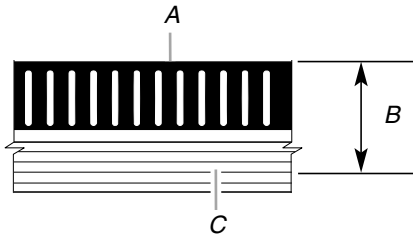
Hay dos piezas en la rejilla de la base para permitir un encaje a la medida: la base de la rejilla misma y el faldón. Se puede agregar el faldón a la rejilla de la base para extenderla completamente hasta el piso.

1. Abra la puerta del refrigerador y mida la distancia desde el fondo del gabinete del refrigerador al piso.



- A. Piso
- B. Fondo del gabinete del refrigerador
- C. Distancia que debe medirse

2. Mida esta misma distancia desde la parte superior de la rejilla de la base al surco "V" más cercano en el faldón de la rejilla. Use un cuchillo para marcar hacia abajo por el surco "V" y rompa el faldón por la línea que marcó.



- A. Ensambladura de la rejilla y el faldón  
 B. Distancia medida desde arriba según el paso 2  
 C. Marque la ranura "V"

3. Deslice el faldón sobre la rejilla de la base.
4. Afiance la rejilla de la base al gabinete con los dos tornillos provistos.

2. Use un recipiente resistente para oprimir y sostener la barra del despachador por 5 segundos, luego suéltela por 5 segundos. Repita hasta que el agua comience a correr. Una vez que el agua comenzó a correr, continúe presionando y soltando la barra del despachador (5 segundos activado, 5 segundos desactivado) por otros 2 minutos. Este proceso eliminará el aire en el filtro y en el sistema de despacho de agua. En algunas casas se podrá requerir enjuague adicional.

**NOTA:** A medida que sale aire del sistema, es posible que salgan chorros de agua repentinos del despachador.

3. Abra la puerta del congelador y ponga la fábrica de hielo a funcionar. Para el **Estilo 1**, baje el brazo de control de alambre. Para el **Estilo 2**, mueva el interruptor a la posición ON (encendido - hacia la izquierda).
  - Deje transcurrir 24 horas para la producción de la primera tanda de hielo.
  - Deshágase de las tres primeras tandas de hielo producido.
  - Dependiendo de su modelo, puede ser que Ud. desee elegir la característica máxima de hielo para incrementar la producción de hielo.

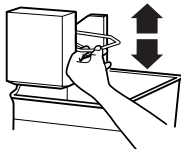
## Preparación del sistema de agua

Sírvase leer antes de usar el sistema de agua.

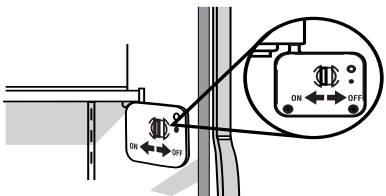
Inmediatamente después de la instalación, siga los pasos a continuación para asegurarse de que el sistema de agua esté debidamente limpio.

1. Abra la puerta del congelador y apague la fábrica de hielo. Para el **Estilo 1**, levante el brazo de control de alambre como se muestra. Para el **Estilo 2**, mueva el interruptor a la posición OFF (apagado - hacia la derecha) como se muestra. El interruptor de On/Off (encendido/apagado) se encuentra en el lado derecho superior del compartimiento del congelador.

### Estilo 1 – Modelos sin despachador



### Estilo 2 – Modelos con despachador



**NOTA:** Si su modelo tiene un sistema de filtro de la rejilla de la base, asegúrese de que el filtro de la rejilla de la base esté instalado adecuadamente y que la tapa esté en la posición horizontal.

No use con agua que no sea microbiológicamente segura o que sea de calidad desconocida sin desinfectarla adecuadamente antes o después del sistema. Pueden usarse sistemas certificados para la reducción de quistes en aguas desinfectadas que puedan contener quistes filtrables.

## Cómo terminar la instalación

1. Gire la válvula de la tubería de alimentación de agua a la posición "Abierta".
2. Gire el interruptor del refrigerador a la posición ON (encendido). Vea la sección "Interruptor de Encendido/ Apagado" en el Manual de uso y cuidado, para las instrucciones. Espere unos minutos. Busque fugas en las conexiones de la tubería de agua.
3. Quite todas las cajas, paquetes de partes y materiales de empaque del interior del refrigerador. Vea la sección "Limpieza" en el Manual de uso y cuidado, para las instrucciones. Quite la película y el cartón protector de la rejilla y de las puertas o marco de la puerta, según su modelo.
4. Instale los anaqueles y recipientes en el refrigerador y en los compartimientos del congelador.
5. Los controles están prefijados de fábrica en su posición intermedia. Verifique que el compresor esté funcionando correctamente y que todas las luces funcionan.
6. Enjuague el sistema de agua antes de utilizarlo. Vea "Preparación del sistema de agua".

Para obtener el uso más eficiente de su nuevo refrigerador empotrado, lea el Manual de uso y cuidado. Conserve a mano las Instrucciones de instalación y el Manual de uso y cuidado del refrigerador empotrado para una consulta fácil.

# SÉCURITÉ DU RÉFRIGÉRATEUR

## Votre sécurité et celle des autres est très importante.

Nous donnons de nombreux messages de sécurité importants dans ce manuel et sur votre appareil ménager. Assurez-vous de toujours lire tous les messages de sécurité et de vous y conformer.



Voici le symbole d'alerte de sécurité.

Ce symbole d'alerte de sécurité vous signale les dangers potentiels de décès et de blessures graves à vous et à d'autres.

Tous les messages de sécurité suivront le symbole d'alerte de sécurité et le mot "DANGER" ou "AVERTISSEMENT". Ces mots signifient :

**! DANGER**

Risque possible de décès ou de blessure grave si vous ne suivez pas immédiatement les instructions.

**! AVERTISSEMENT**

Risque possible de décès ou de blessure grave si vous ne suivez pas les instructions.

Tous les messages de sécurité vous diront quel est le danger potentiel et vous disent comment réduire le risque de blessure et ce qui peut se produire en cas de non-respect des instructions.

**! AVERTISSEMENT**



### Risque de basculement

**Le réfrigérateur est lourd au sommet et bascule facilement lorsqu'il n'est pas complètement installé.**

**Garder les portes fermées avec un ruban adhésif jusqu'à l'installation complète du réfrigérateur.**

**Utiliser deux ou plus de personnes pour déplacer et installer le réfrigérateur.**

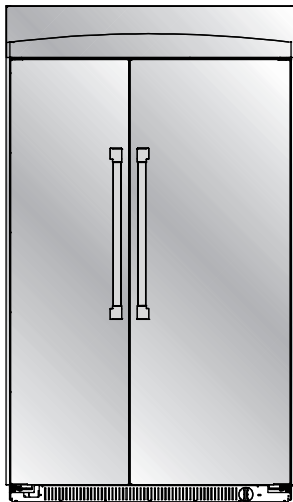
**Le non-respect de ces instructions peut causer un décès ou une blessure grave.**

---

# SPÉCIFICATIONS DE DESIGN

---

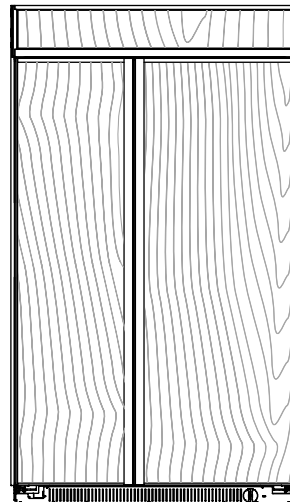
## Modèles - Réfrigérateurs côte à côte sans distributeur



### Série en acier inoxydable

Apparence extérieure en acier inoxydable.

KBUI4255E      KBUI4265E  
KBUI4855E      KBUI4865E



### Série de panneaux personnalisés

Se caractérise par une garniture de style traditionnel d'origine pour donner une apparence "encadré". Cette série nécessite l'installation de panneaux personnalisés qui ne sont pas inclus.

KBUI4275E      KBUI4875E

---

### TRIMKITSXS - Ensemble de panneaux sans garniture

Sur la série de panneaux personnalisés, vous pouvez créer une apparence "uniforme" en utilisant des panneaux de revêtement personnalisés. Vous aurez besoin de l'ensemble de panneaux sans garniture pour réfrigérateurs côte à côte TRIMKITSXS. Cet ensemble accessoire contient des pièces pour remplacer la garniture d'origine.

Des panneaux de revêtement personnalisés et des poignées sont nécessaires mais ne sont pas inclus dans cet ensemble accessoire. Créer les panneaux selon les spécifications de la section "Panneaux de revêtement personnalisés". Vous pouvez commander un jeu de poignées Thermador ou sélectionner d'autres poignées. Pour les espaces de porte, voir "Dégagements pour les poignées et portes pour la série de panneaux personnalisés".

### Ensembles de poignées

Pour utilisation avec les modèles en acier inoxydable. Vous pouvez acheter un type de poignée autre que celui fourni avec votre modèle. Consulter le marchand pour plus de détails.

CURVHNDL10 - Ensemble de poignées galbées

PROHNDL160 - Ensemble de poignées Pro

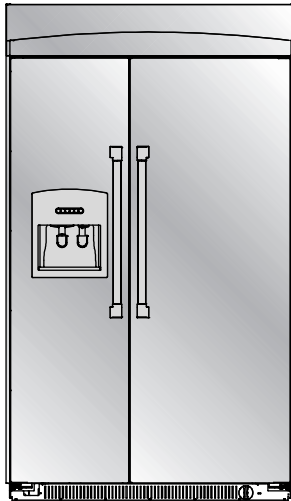
PROHNDL165 - Ensemble de poignées Pro Designer

MASTHNDL55 - Ensemble de poignées Masterpiece

### EXTHANDSXS - Ensemble de poignées prolongées pour les appareils côte à côte

Cet ensemble peut être nécessaire si vous installez un panneau personnalisé relevé. Voir "Dégagements pour les poignées et portes pour la série de panneaux personnalisés".

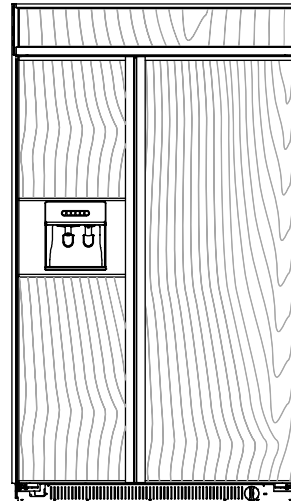
## Modèles - Réfrigérateurs côte à côte avec distributeur



### Série en acier inoxydable

Apparence extérieure en acier inoxydable.

KBUDT4255E    KBUDT4265E  
KBUDT4855E    KBUDT4865E



### Série de panneaux personnalisés

Se caractérise par une garniture de style traditionnel d'origine pour donner une apparence "encadré". Cette série nécessite l'installation de panneaux personnalisés qui ne sont pas inclus.

KBUDT4275E    KBUDT4875E

### TRIMKITSXS - Ensemble de panneaux sans garniture

Sur la série de panneaux personnalisés, vous pouvez créer une apparence "uniforme" en utilisant des panneaux de revêtement personnalisés. Vous aurez besoin de l'ensemble de panneaux sans garniture pour réfrigérateurs côte à côte TRIMKITSXS. Cet ensemble accessoire contient des pièces pour remplacer la garniture d'origine.

Des panneaux de revêtement personnalisés et des poignées sont nécessaires mais ne sont pas inclus dans cet ensemble accessoire. Créer les panneaux selon les spécifications de la section "Panneaux de revêtement personnalisés". Vous pouvez commander un jeu de poignées Thermador ou sélectionner d'autres poignées. Pour les espaces de porte, voir "Dégagements pour les poignées et portes pour la série de panneaux personnalisés".

### Ensembles de poignées

Pour utilisation avec les modèles en acier inoxydable. Vous pouvez acheter un type de poignée autre que celui fourni avec votre modèle. Consulter le marchand pour plus de détails.

CURVHNDL10 - Ensemble de poignées galbées

PROHNDL160 - Ensemble de poignées Pro

PROHNDL165 - Ensemble de poignées Pro Designer

MASTHNDL55 - Ensemble de poignées Masterpiece

### EXTHANDSXS - Ensemble de poignées prolongées pour les appareils côte à côte

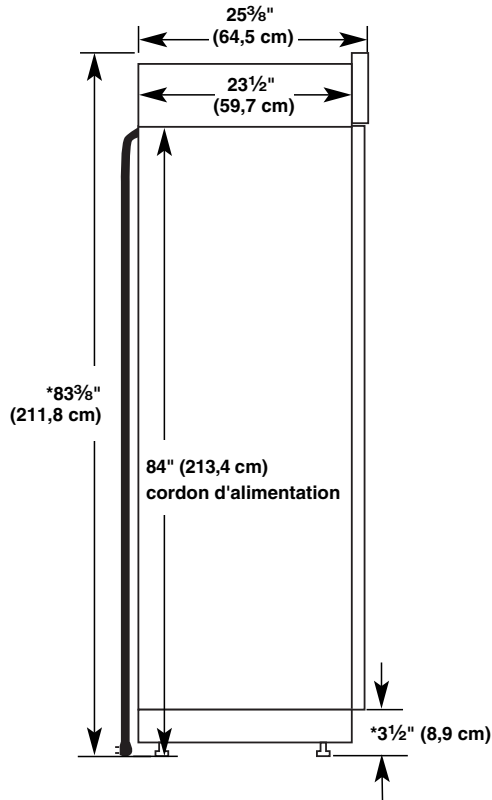
Cet ensemble peut être nécessaire si vous installez un panneau personnalisé relevé. Voir "Dégagements pour les poignées et portes pour la série de panneaux personnalisés".



## Dimensions du produit

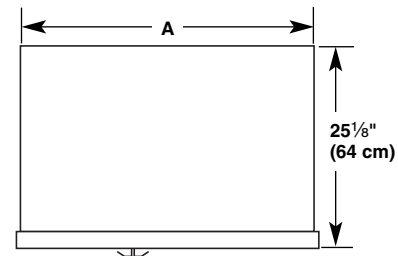
### Vue latérale

- La profondeur de l'avant de la grille supérieure à l'arrière de la caisse du réfrigérateur est de 25 $\frac{3}{8}$ " (64 cm).
- Le cordon d'alimentation mesure 84" (61 cm) de long.
- La canalisation d'eau fixée à l'arrière du réfrigérateur mesure 5 pi (1,5 m) de long. Les hauteurs indiquées sont calculées avec pieds de nivellement déployés de  $\frac{1}{8}$ " (3 mm) au-dessous des roulettes.



\*Lorsque les pieds de nivellement sont totalement déployés de 1 $\frac{1}{4}$ " (32 mm) au-dessous des roulettes, ajouter 1 $\frac{1}{8}$ " (29 mm) à la hauteur totale.

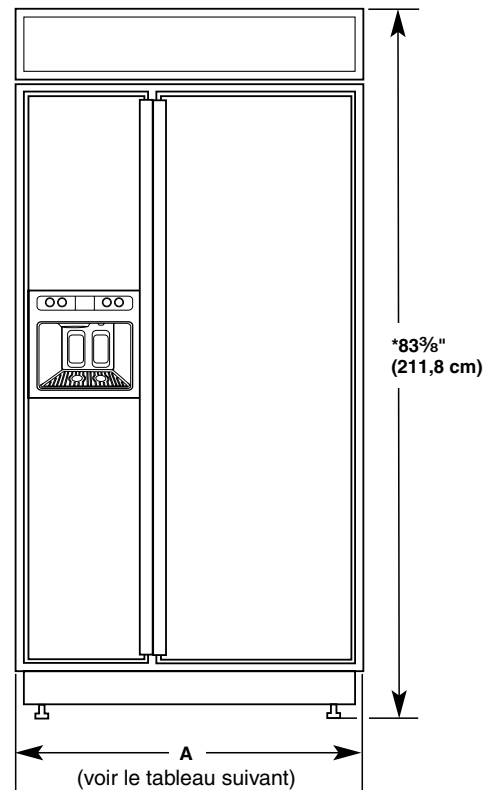
### Vue de dessus



Modèle	Largeur A
42" (106 cm)	41" (104 cm)
48" (122 cm)	47" (119 cm)

### Vue avant

- Les dimensions de largeur ont été mesurées d'un bord à l'autre de la garniture extérieure.
- Les dimensions de hauteur indiquées correspondent à la situation où les pieds de nivellement sont déployés de  $\frac{1}{8}$ " (3 mm) au-dessous des roulettes.



Modèle	Largeur A (d'un bord à l'autre de la garniture)
42" (106 cm)	42 $\frac{1}{4}$ " (107 cm)
48" (122 cm)	48 $\frac{1}{4}$ " (123 cm)

\*Lorsque les pieds de nivellement sont totalement déployés de 1 $\frac{1}{4}$ " (32 mm) au-dessous des roulettes, ajouter 1 $\frac{1}{8}$ " (29 mm) à la hauteur totale.

## Rayon de basculement

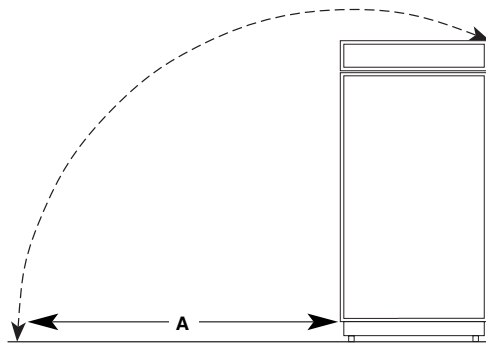
S'assurer que la hauteur du plafond est suffisante pour mettre le réfrigérateur en position verticale lorsqu'il est mis dans son emplacement.

- Si le réfrigérateur est installé sur un chariot à roulettes, on doit ajouter la hauteur des roues du chariot au rayon de basculement.
- Si nécessaire, on peut réduire le rayon de basculement. Voir la section "Réduction du rayon de basculement".

### Rayon de basculement latéral

Le rayon de basculement latéral varie en fonction de la largeur du modèle. Utiliser le tableau fourni pour déterminer le rayon de basculement latéral

**REMARQUE :** Faire basculer sur le côté uniquement.



Modèle	Rayon de basculement A
42" (106 cm)	93" (236,2 cm)
48" (122 cm)	96" (243,8 cm)

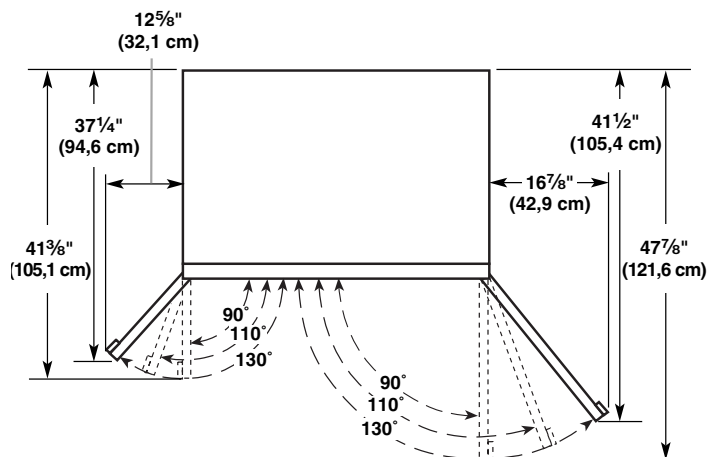
## Dimensions pour le pivotement des portes

L'emplacement d'installation doit permettre l'ouverture des deux portes à un angle minimal de 90°. Laisser un espace libre d'au moins 4½" (11,4 cm) entre le côté du réfrigérateur et le mur formant l'angle.

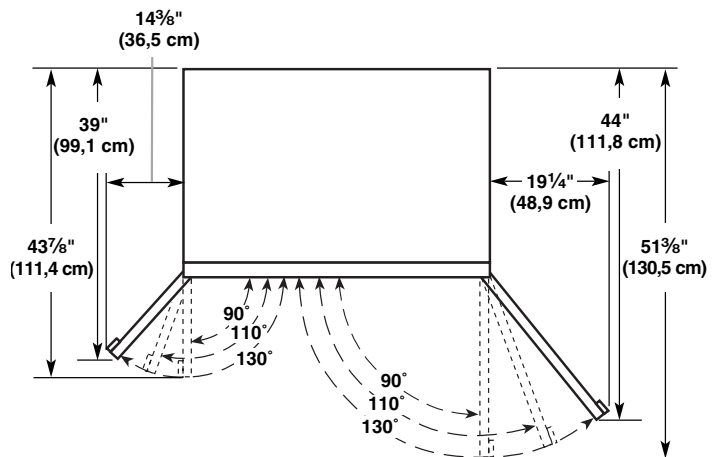
**REMARQUE :** Un dégagement plus grand peut être nécessaire si vous utilisez des panneaux décoratifs ou des poignées personnalisées.

Pour ajuster l'ouverture des portes, voir "Ajustement des portes".

### Modèles de 42" (106 cm)

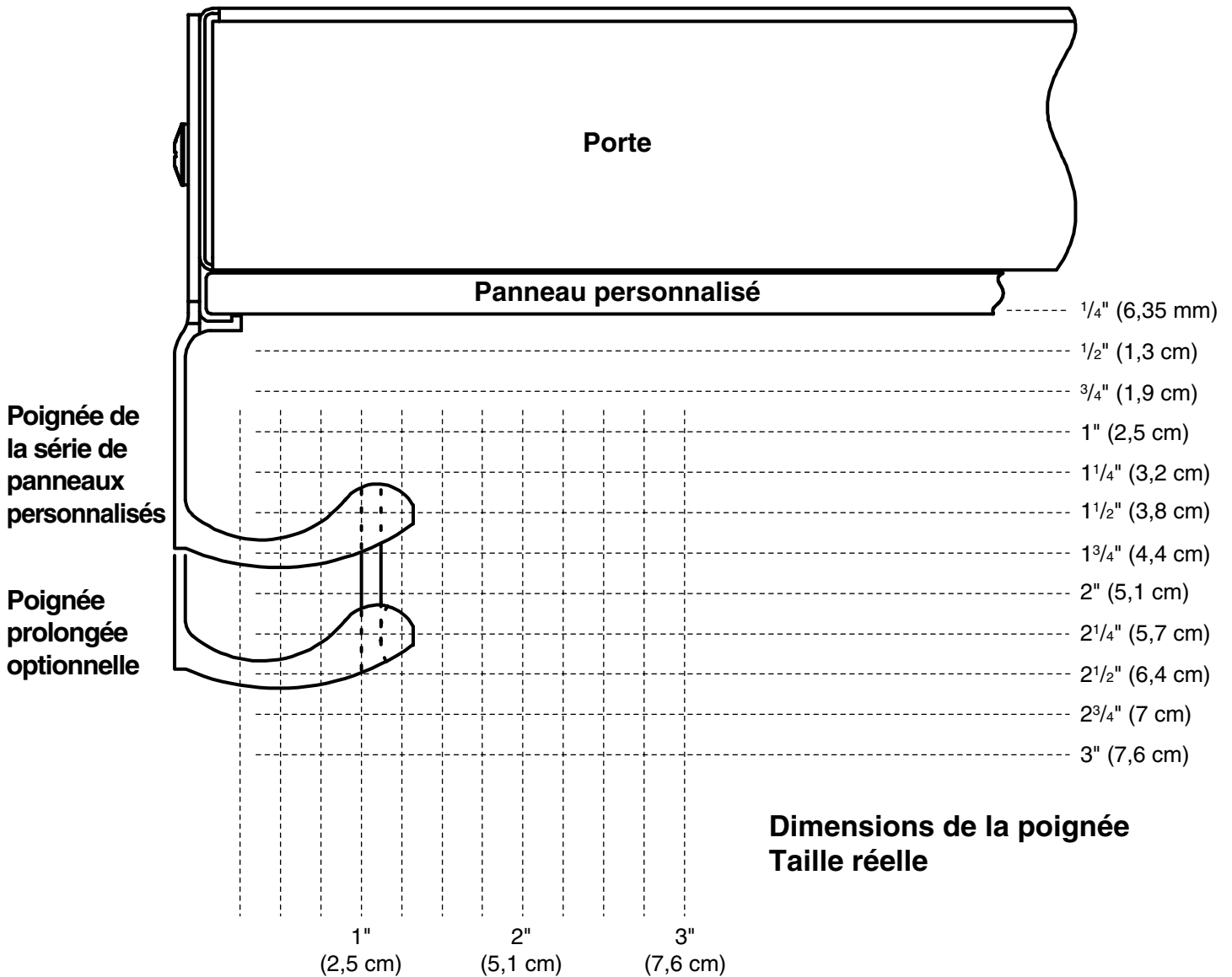


### Modèles de 48" (122 cm)



## Dégagements pour les poignées et portes pour la série de panneaux personnalisés

Si on installe des panneaux personnalisés, ces derniers doivent permettre certains dégagements pour les poignées et pour l'ouverture des portes. Un ensemble de poignée prolongée peut être nécessaire si vous installez un panneau personnalisé relevé. Voir "Modèles" dans "Spécifications de design".



**Série de panneaux personnalisés  
Décalages pour les panneaux de  
revêtement personnalisés**

**Pivotement de la porte de 110°  
Taille réelle**

**Garniture latérale  
du réfrigérateur**

1" (2,5 cm)      2" (5,1 cm)  
3/4" (1,9 cm)      1 3/4" (4,4 cm)  
1/2" (1,3 cm)      1 1/2" (3,8 cm)  
1/4" (6,35 mm)      1 1/4" (3,2 cm)

**Charnière**

1/4" (6,35 mm)

1/2" (1,3 cm)

3/4" (1,9 cm)

1" (2,5 cm)

1 1/4" (3,2 cm)

1 1/2" (3,8 cm)

1/2" (1,3 cm)

3/4" (1,9 cm)

1" (2,5 cm)

1 1/4" (3,2 cm)

1 1/2" (3,8 cm)

**Porte**

**Panneau de soutien  
Panneau personnalisé**

**Panneau de décalage**

**REMARQUE :** Pour utiliser des panneaux de revêtement personnalisés, vous devez commander l'ensemble de panneaux sans garniture. Vous aurez également besoin de commander l'ensemble de poignées Thermador ou de choisir d'autres poignées. Voir la section "Modèles" dans les "Spécifications de design" pour obtenir plus d'informations et un ensemble spécifique.

## Panneaux personnalisés

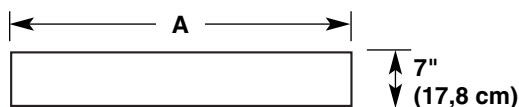
Si vous prévoyez installer des panneaux personnalisés en bois, vous devrez les créer vous-même ou consulter un ébéniste ou menuisier qualifié. Voir les dessins dimensionnels pour les spécifications des panneaux.

**IMPORTANT :** Les panneaux de poids supérieur au poids recommandé risquent d'endommager le réfrigérateur.

**REMARQUE :** Les dimensions indiquées ont une tolérance de  $(\pm) \frac{1}{16}$ " (1,5 mm). Les panneaux dont l'épaisseur est supérieure à  $\frac{1}{4}$ " (6 mm) doivent faire l'objet d'un usinage. Si l'épaisseur des panneaux est inférieure à  $\frac{1}{4}$ " (6 mm), installer un panneau de remplissage entre les portes et les panneaux décoratifs.

### Panneau de la grille supérieure

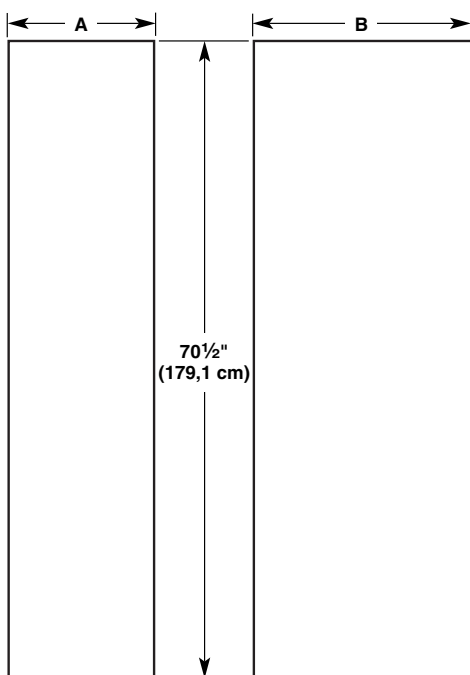
Le panneau supérieur ne doit pas peser plus de 10 lb (4,5 kg).



Modèle	A
42" (106,6 cm)	40½" (105 cm)
48" (122 cm)	46½" (120 cm)

### Panneaux de porte pour modèles sans distributeur

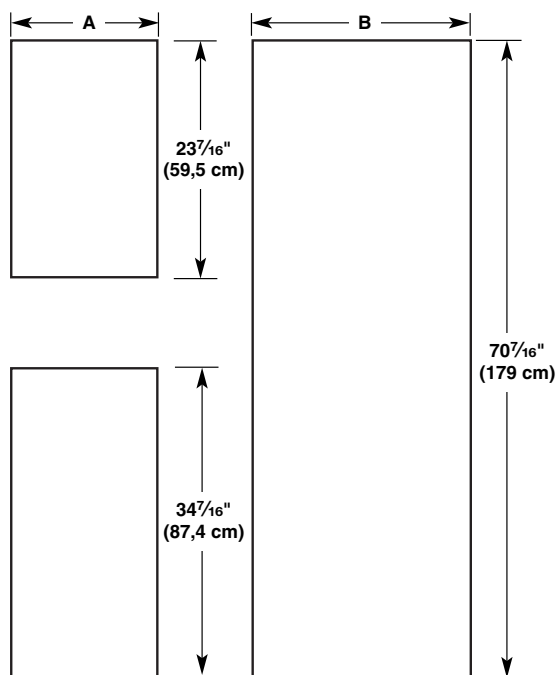
Le panneau du congélateur ne doit pas peser plus de 30 lb (13,5 kg). Le panneau du réfrigérateur ne doit pas peser plus de 50 lb (23 kg).



Modèle	A	B
42" (106,7 cm)	16¾" (42,5 cm)	22¾" (57,8 cm)
48" (122 cm)	19¼" (48,9 cm)	26¼" (66,8 cm)

### Panneaux de porte pour modèles avec distributeur

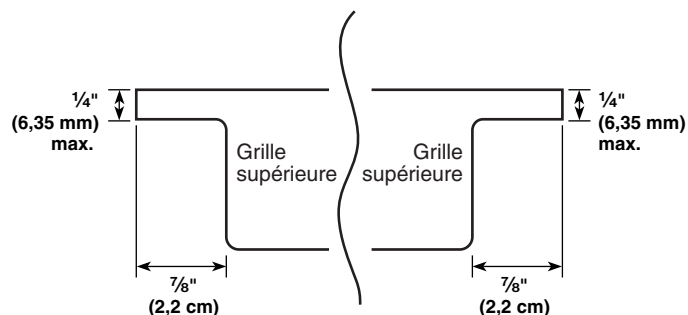
Les deux panneaux de congélateur combinés ne doivent pas peser plus de 30 lb (13,5 kg). Le panneau du réfrigérateur ne doit pas peser plus de 50 lb (23 kg).



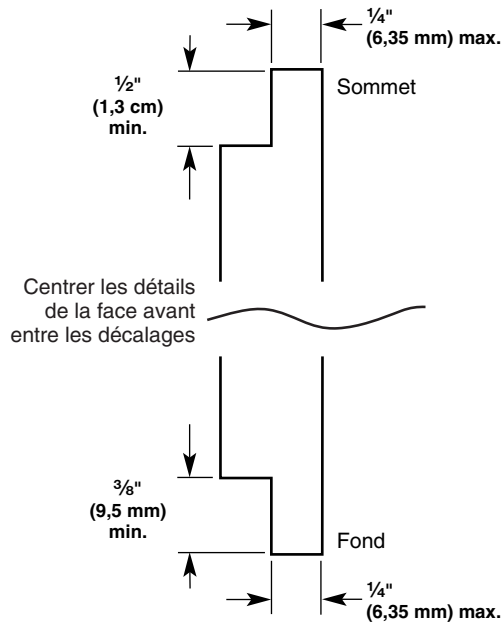
Modèle	A	B
42" (106,6 cm)	16¾" (42,5 cm)	22¾" (57,8 cm)
48" (122 cm)	19¼" (48,9 cm)	26¼" (66,8 cm)

### Exigences d'usinage du panneau de la grille supérieure

Les rives supérieure et inférieure du panneau supérieur devraient être usinées de  $\frac{1}{2}$ " (1,3 cm) et  $\frac{3}{8}$ " (0,95 cm) respectivement. Les deux extrémités devraient être usinées sur les rives de  $\frac{7}{8}$ " (2,2 cm) tel qu'illustré.



**REMARQUE :** Lors de la création d'un panneau orné en façade, les décalages seront dissimulés et il faut en tenir compte pour centrer le détail dans la grille supérieure.

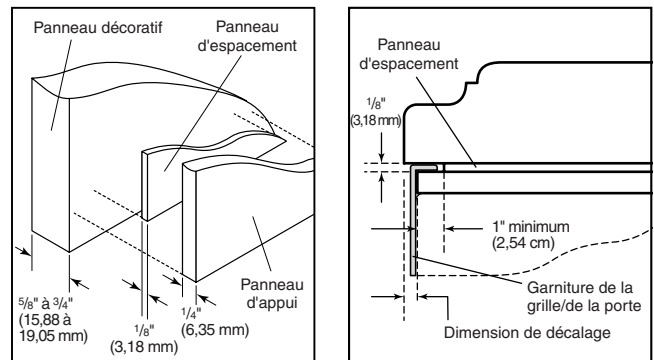


## Panneaux de revêtement personnalisés

Les panneaux de revêtement personnalisés vous permettent d'agencer l'extérieur de votre réfrigérateur à l'ensemble du décor de la cuisine et d'utiliser des poignées personnalisées pour une plus grande souplesse de design.

**REMARQUE :** Pour l'utilisation des panneaux de revêtement personnalisés, un ensemble de panneaux sans garniture pour réfrigérateurs côte à côte est nécessaire (TRIMKITSXS). Les panneaux de revêtement personnalisés et les poignées sont nécessaires mais ne sont pas inclus. Créer les panneaux selon ces spécifications. Vous pouvez commander l'ensemble de poignées Thermador (HANDKIT) ou choisir d'autres poignées. Voir la section "Modèles" dans "Spécifications de design" pour obtenir plus d'informations.

Les panneaux personnalisés doivent être munis de panneaux de soutien pour pouvoir être installés sur le réfrigérateur. La façon la plus courante est d'utiliser trois panneaux, tel qu'illustré ci-dessous : un panneau de revêtement, une plaque d'espacement de 1/8" (3,18 mm) ou des tringles d'espacement et un panneau de soutien de 1/4" (6,35 mm).

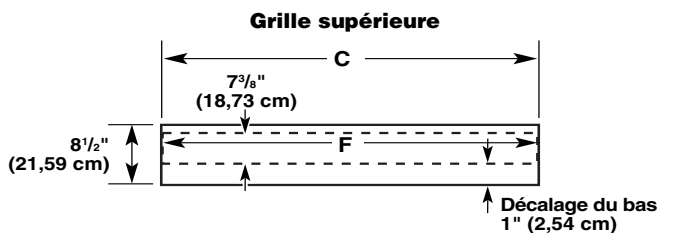


Dans certains cas, votre fabricant de placards choisira peut-être de travailler avec un panneau usiné aux différentes dimensions. Suivre ces instructions pour les dimensions et l'emplacement des panneaux pour s'assurer que les panneaux de revêtement personnalisés sont adaptés.

### IMPORTANT :

- Le poids du panneau de revêtement de la porte du réfrigérateur ne peut dépasser 50 lb (23 kg).
- Le poids du panneau de revêtement de la porte du congélateur ne peut dépasser 30 lb (13,5 kg).
- Le poids du panneau de revêtement de la grille supérieure ne peut dépasser 10 lb (4,5 kg).

Pour minimiser le poids du panneau, vous pouvez utiliser des tringles d'espacement de 2" (5,08 cm) sur le périmètre à la place d'une plaque d'espacement massif. Les tringles d'espacement doivent être installées à au moins 1" (2,54 cm) des rives supérieure, inférieure et latérales du panneau de soutien. Si on utilise des tringles d'espacement, il est aussi recommandé d'utiliser 2 tringles de 2" (5,08 cm) centrées horizontalement pour un soutien additionnel.

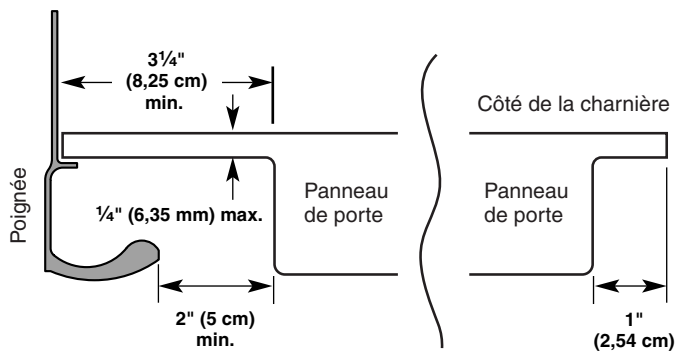


## Exigences d'usinage des panneaux de porte

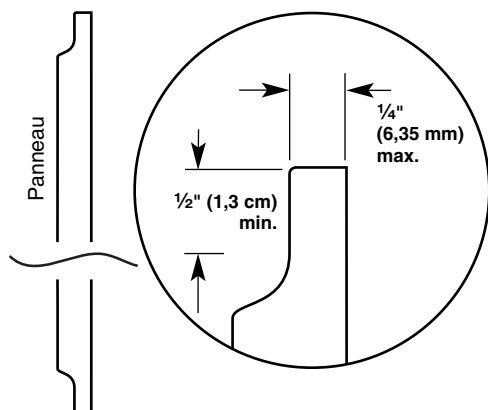
Si on utilise un ensemble de poignées de porte prolongées, il n'est pas nécessaire d'usiner le côté poignée des panneaux. Voir "Dégagements pour les poignées et portes pour la série de panneaux personnalisés" pour plus d'information sur la commande de poignées prolongées.

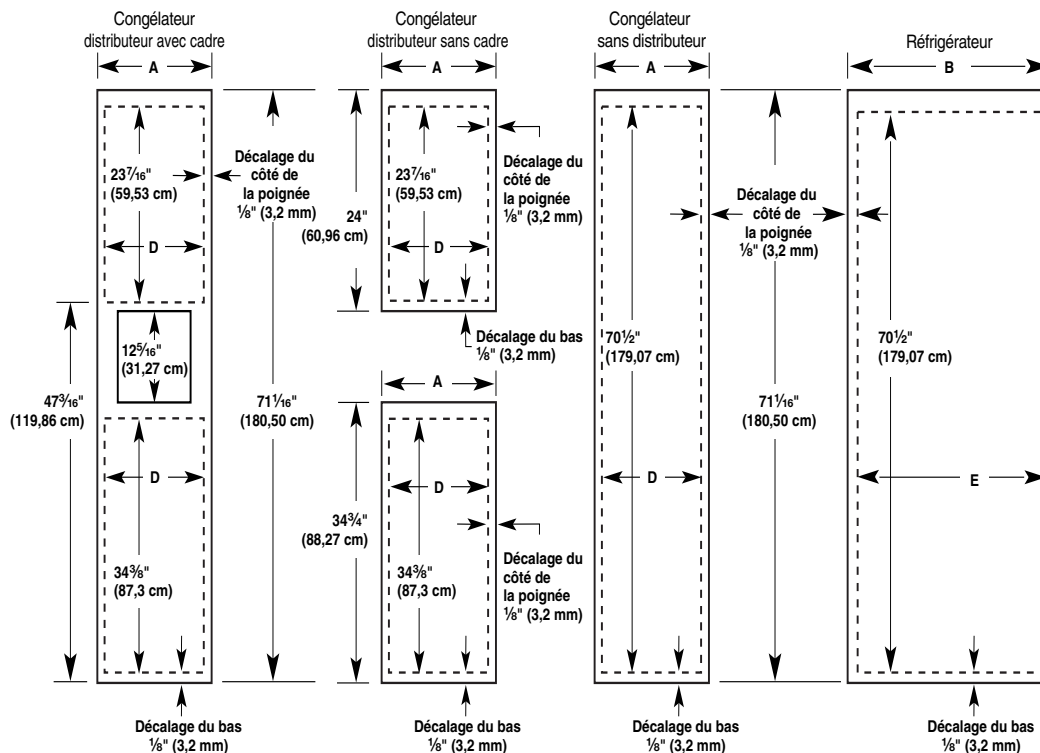
Si on utilise la poignée standard, usiner sur toute sa longueur le côté poignée des deux panneaux de 3/4" (8,25 cm) en prévision d'un dégagement pour les doigts. Usiner les autres côtés de 1" (2,54 cm).

### Poignée standard – Vue supérieure



### Panneau de porte – Vue latérale





Panneaux de revêtement			
Modèle	A	B	C
42" (106 cm)	17 1/8" (43,50 cm)	23 1/8" (58,74 cm)	41 3/8" (105,09 cm)
48" (122 cm)	19 5/8" (49,85 cm)	26 5/8" (67,63 cm)	47 3/8" (120,33 cm)

Panneaux de soutien			
Modèle	D	E	F
42" (106 cm)	16 15/16" (43,50 cm)	22 15/16" (58,26 cm)	40 1/2" (102,87 cm)
48" (122 cm)	19 7/16" (49,37 cm)	26 7/16" (67,15 cm)	46 1/2" (118,11 cm)

## Panneaux latéraux de la série de panneaux en acier inoxydable

Les panneaux latéraux personnalisés peuvent être nécessaires lorsqu'il n'y a pas suffisamment d'espace pour avoir des placards des deux côtés du réfrigérateur ou lorsque le réfrigérateur est placé à l'extrémité d'une enfilade de placards. Vous avez le choix d'installer un panneau inséré, en affleurement ou inséré en retrait.

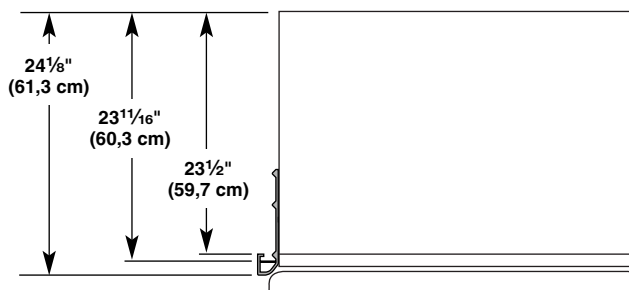
### Dimensions du réfrigérateur et des garnitures latérales

La largeur et la hauteur du panneau latéral sont déterminées en fonction du type d'installation prévu.

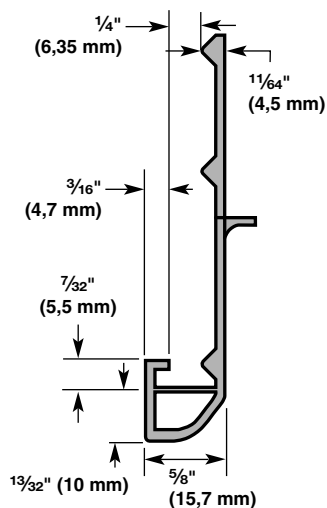
#### REMARQUES :

- Les dimensions indiquées sont les dimensions réelles du produit et peuvent ne pas refléter les dimensions nécessaires d'installation des panneaux.
- Le panneau latéral doit avoir une épaisseur minimale de 1/2" (1,27 cm) pour éviter le gauchissement.
- Si la profondeur de l'ouverture est de 25" (63,5 cm) ou plus, vous voudrez peut-être installer une tringle d'appui sur le mur arrière.

### Réfrigérateur

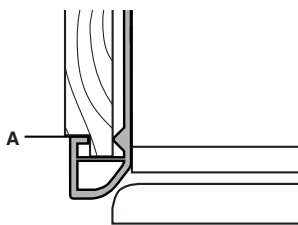


## Garnitures latérales



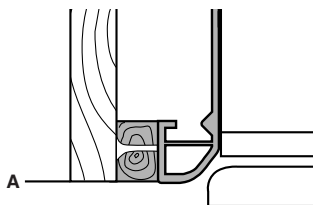
### Dimensions pour un panneau inséré

1. Mesurer la distance du point A (tel qu'illustré) à la paroi arrière. Ajouter  $\frac{7}{32}$ " (5,6 mm) à cette mesure pour que le panneau latéral entre dans la garniture.
2. Si le panneau a plus de  $\frac{1}{4}$ " (6,35 mm) d'épaisseur, usiner la rive avant du panneau latéral pour que l'insertion soit possible.



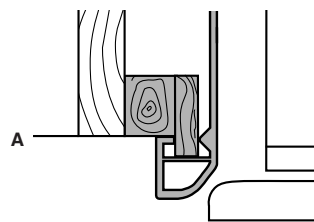
### Dimensions pour un panneau en affleurement

1. Mesurer la distance du point A (tel qu'illustré) à la paroi arrière.
2. Fixer la tringle d'appui avec une vis ou un adhésif compatible avec l'aluminium et le bois.



### Dimensions pour un panneau inséré en retrait

1. Mesurer la distance du point A (tel qu'illustré) à la paroi arrière.
2. Usiner la rive avant de la tringle d'appui ou installer une planchette de  $\frac{1}{4}$ " (6,35 mm) pour la rétention du panneau dans la garniture latérale de la caisse.



## Panneaux latéraux de la série de panneaux personnalisés

Des panneaux latéraux personnalisés peuvent être nécessaires lorsqu'il n'y a pas suffisamment d'espace pour avoir des placards des deux côtés du réfrigérateur ou lorsque le réfrigérateur est placé à l'extrémité d'une enfilade de placards. Vous avez le choix d'installer un panneau inséré ou inséré en retrait.

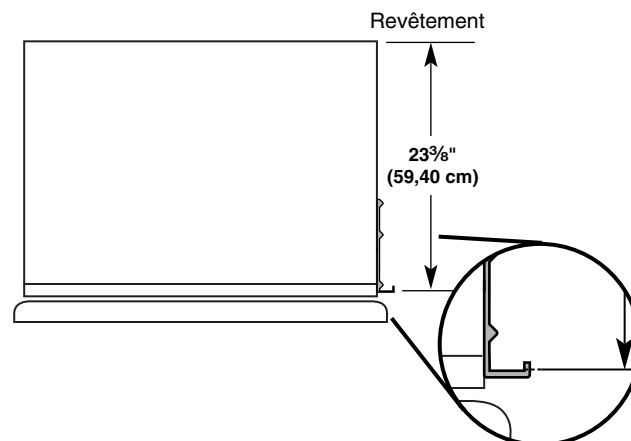
### Dimensions du réfrigérateur et des garnitures latérales

La largeur et la hauteur du panneau latéral sont déterminées en fonction du type d'installation prévu.

#### REMARQUES :

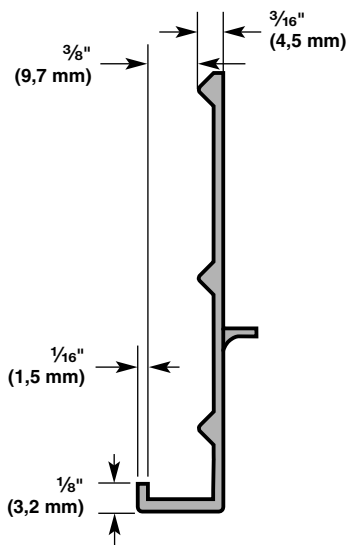
- Les dimensions indiquées sont les dimensions réelles du produit et peuvent ne pas refléter les dimensions nécessaires d'installation des panneaux.
- Le panneau latéral doit avoir une épaisseur minimale de  $\frac{1}{2}$ " (1,27 cm) pour éviter le gauchissement.
- Si la profondeur de l'ouverture est de 25" (63,5 cm) ou plus, vous voudrez peut-être installer une tringle d'appui sur le mur arrière.

### Réfrigérateur

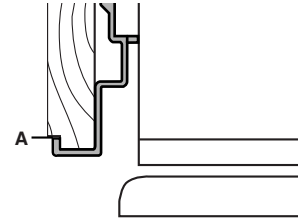




## Garnitures latérales

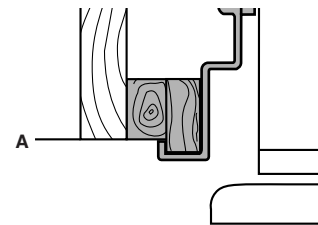


2. Si le panneau a plus de  $\frac{3}{8}$ " (9,5 mm) d'épaisseur, usiner la rive avant du panneau latéral pour que l'insertion soit possible.



### Dimensions pour un panneau inséré en retrait

1. Mesurer la distance du point A (tel qu'illustré) à la paroi arrière.
2. Usiner la rive avant de la tringle d'appui ou installer une planchette de  $\frac{3}{8}$ " (9,5 mm) pour la rétention du panneau dans la garniture latérale de la caisse.



### Dimensions pour un panneau inséré

1. Mesurer la distance du point A (tel qu'illustré) à la paroi arrière. Ajouter  $\frac{1}{32}$ " (0,8 mm) à cette mesure pour que le panneau latéral entre dans la garniture.

# EXIGENCES D'INSTALLATION

## Outillage et pièces

### IMPORTANT :

- Installateur : Remettre les instructions d'installation au propriétaire.
- Propriétaire : Conserver les instructions d'installation pour référence ultérieure. Conserver ces instructions d'installation pour consultation par l'inspecteur local des installations électriques.

### Outillage requis :

Rassembler les outils et pièces nécessaires avant de commencer l'installation. Lire et suivre les instructions fournies avec les outils indiqués ici.

- Perceuse manuelle ou électrique (convenablement reliée à la terre)
- Forets
- Deux clés à molette
- Tournevis Phillips
- Petit niveau
- Chariot pour appareil ménager
- Tourne-écrou de T27 Torx<sup>†</sup>
- Tourne-écrou de  $\frac{1}{32}$ "
- Clés plates de  $\frac{3}{8}$ " et  $\frac{1}{2}$ "
- Clé Allen de  $\frac{5}{32}$ "
- Clé à douille de  $\frac{5}{16}$ "
- Mètre-ruban

### Pièces nécessaires :

- 6 vis à bois n° 8 x 3" (7,6 cm) (il peut être nécessaire d'utiliser des vis plus longues)
- 1 ou 2 morceaux de bois de 2 x 4 x 32" (5 x 10 x 81 cm)
- Fabriquer des panneaux personnalisés ou à revêtement ou consulter un ébéniste ou un menuisier qualifié pour la fabrication de panneaux. Voir "Spécifications de design" pour plus d'information.
- Si on connecte la canalisation d'eau directement à un tube en cuivre et non à un robinet d'arrêt, il faut une virole, un raccord et une bague de compression de  $\frac{1}{4}$ " (6,35 mm).

<sup>†</sup>TORX est une marque déposée de Textron Innovations Inc.

## Exigences d'emplacement

Le réfrigérateur peut être encastré dans une ouverture entre les placards ou installé à l'extrémité d'une enfilade de placards en utilisant un panneau latéral pour encadrer le réfrigérateur.

### **AVERTISSEMENT**



#### Risque d'explosion

Garder les matériaux et les vapeurs inflammables, telle que l'essence, loin du réfrigérateur.

Le non-respect de cette instruction peut causer un décès, une explosion ou un incendie.

#### IMPORTANT :

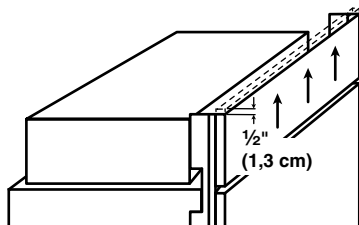
- Observer tous les codes et règlements en vigueur.
- Il est recommandé de ne pas installer le réfrigérateur près d'un four, d'un radiateur ou de toute autre source de chaleur.
- Ne pas installer le réfrigérateur dans un endroit où la température baissera au-dessous de 55°F (13°C).
- Le plancher doit supporter le poids du réfrigérateur, soit plus de 600 lb (272 kg), en plus des panneaux de porte et du contenu du réfrigérateur.
- La hauteur du plafond doit être suffisante pour le rayon de basculement latéral. Voir "Rayon de basculement".
- L'emplacement doit permettre l'ouverture complète des portes. Voir "Dimensions pour le pivotement des portes".
- L'emplacement doit permettre d'enlever la grille supérieure. Voir "Dimensions de l'ouverture".

#### Dimensions de l'ouverture

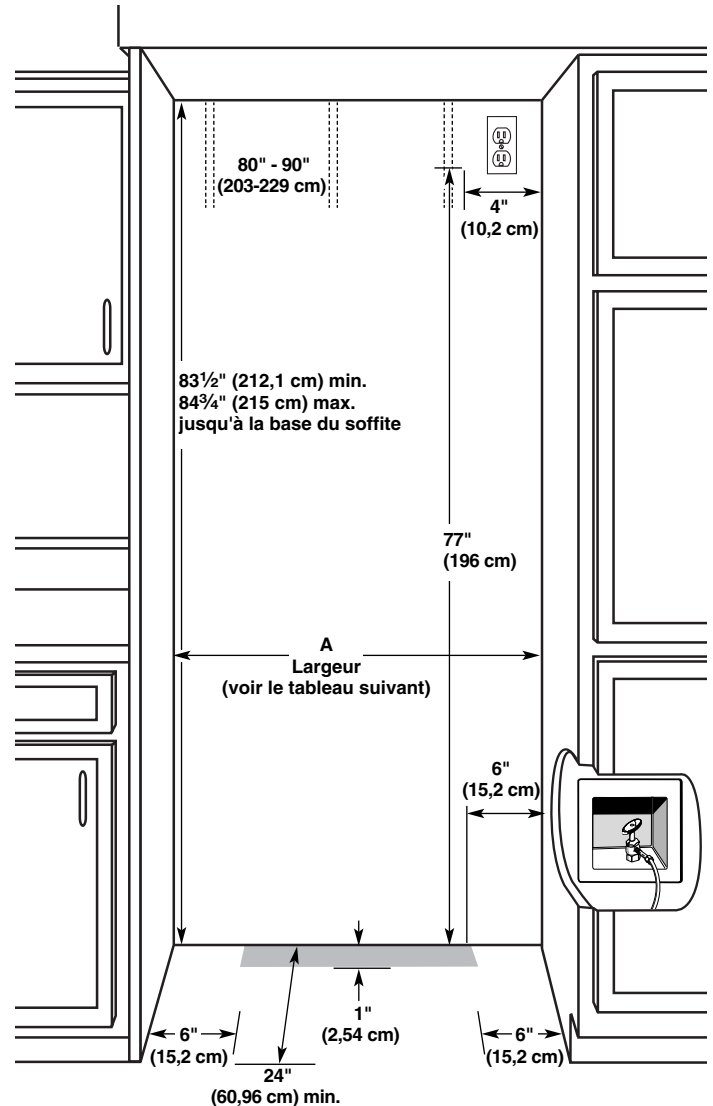
- Pour éviter le basculement pendant l'utilisation, le soffite massif doit se trouver à 1" (2,5 cm) maximum au-dessus du réfrigérateur. Si le soffite massif se trouve à plus de 1" (2,5 cm) ou si un soffite n'est pas disponible, le réfrigérateur doit être arrimé.

Si des planches antibasculement sont nécessaires, elles doivent être fixées aux poteaux de colombage du mur arrière de 80" à 90" (203 à 229 cm) au-dessus du plancher. Voir "Installation de planches antibasculement" pour plus d'information.

**REMARQUE :** Un dégagement de 1/2" (1,3 cm) doit être maintenu au-dessus de la grille supérieure pour que la grille supérieure puisse être enlevée.



- Une prise de courant à 3 alvéoles reliée à la terre devrait être installée à 4" (10,2 cm) du côté droit des placards ou du panneau d'extrémité. Voir "Exigences électriques" pour plus d'information.
- Le robinet d'arrêt devrait se trouver dans le placard inférieur, d'un côté ou l'autre du réfrigérateur ou à un autre endroit facilement accessible. Si le robinet d'arrêt n'est pas dans les placards, la plomberie pour la canalisation d'alimentation peut être acheminée à travers le plancher ou le mur arrière. Voir "Spécifications de l'alimentation en eau" pour plus d'information.



Modèle	Largeur A (tel qu'illustré ci-dessus)
42	41 1/2" (105,4 cm) à 41 3/4" (106,1 cm)
48	47 1/2" (120,7 cm) à 47 3/4" (121,3 cm)

## Spécifications électriques

### **⚠ AVERTISSEMENT**



#### Risque de choc électrique

Brancher sur une prise à 3 alvéoles reliée à la terre.

Ne pas enlever la broche de liaison à la terre.

Ne pas utiliser un adaptateur.

Ne pas utiliser un câble de rallonge.

Le non-respect de ces instructions peut causer un décès, un incendie ou un choc électrique.

Avant de placer le réfrigérateur à son emplacement final, il est important de vous assurer d'avoir la connexion électrique appropriée.

#### Méthode recommandée de mise à la terre

Une source d'alimentation de 115 volts, 60 Hz, type 15 ou 20 amp CA seulement, protégée par fusible et adéquatement mise à la terre est nécessaire. Il est recommandé d'utiliser un circuit distinct pour alimenter uniquement votre réfrigérateur. Utiliser une prise murale qui ne peut être mise hors circuit à l'aide d'un commutateur. Ne pas utiliser de cordon de rallonge.

**IMPORTANT :** Si ce produit est connecté à une prise protégée par un disjoncteur de fuite à la terre, un déclenchement intempestif peut se produire et causer une perte de refroidissement. La qualité et la saveur des aliments risquent d'être affectées. Si un déclenchement intempestif se produit et si les aliments semblent de piètre qualité, jeter le tout.

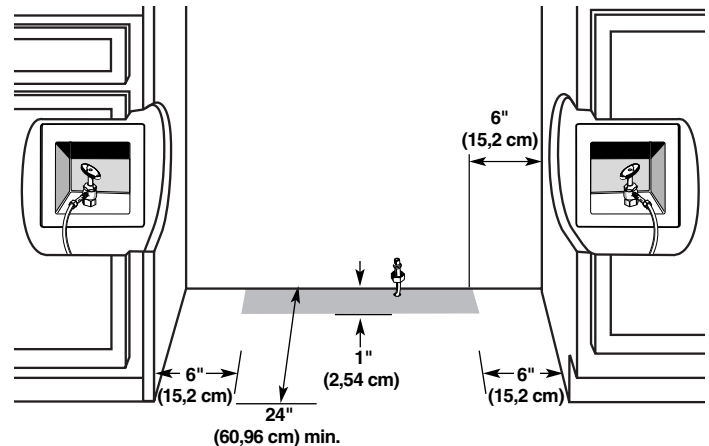
**REMARQUE :** Avant d'exécuter tout type d'installation, nettoyage ou remplacement d'une ampoule d'éclairage, enlever la grille supérieure et mettre l'interrupteur général d'alimentation à OFF (arrêt) ou déconnecter la source de courant électrique au boîtier de disjoncteurs.

Lorsque vous avez terminé, mettre l'interrupteur général d'alimentation à ON (marche) ou reconnecter la source de courant électrique au boîtier de disjoncteurs. Puis remettre la commande au réglage désiré.

## Spécifications de l'alimentation en eau

- Toutes les installations doivent être conformes aux exigences des codes locaux de plomberie.
- Le robinet d'arrêt doit se trouver dans le placard inférieur, d'un côté ou de l'autre du réfrigérateur ou à un autre endroit facilement accessible. Le côté droit est recommandé. Le trou d'accès à travers le placard doit se trouver en deçà de  $\frac{1}{2}$ " (12,7 mm) du mur arrière.

**REMARQUE :** Si le robinet d'arrêt est placé dans le mur arrière derrière le réfrigérateur, il faut qu'il soit incliné à un angle approprié pour que le tube ne subisse pas de déformation/écrasement lorsqu'on pousse le réfrigérateur jusqu'à sa position finale.



- Si le robinet d'arrêt de la canalisation d'eau n'est pas installé dans un placard adjacent, la canalisation d'eau peut parvenir au réfrigérateur à travers le plancher. Un trou de  $\frac{1}{2}$ " (12,7 mm) pour la plomberie doit être percé à 6" (15,2 cm) minimum du placard de gauche ou de droite ou du panneau. Sur le plancher, le trou ne doit pas se trouver à plus de 1" (2,54 cm) du mur arrière. Voir "Raccordement de la canalisation d'eau".
- Si un tube supplémentaire est nécessaire, utiliser un tube en cuivre et vérifier s'il y a des fuites. Installer les tuyaux en cuivre seulement là où les températures domestiques resteront au-dessus du point de congélation.
- Ne pas employer de robinet d'arrêt à étrier de  $\frac{3}{16}$ " (4,76 mm) ou de type à percer, ce qui réduit le débit d'eau et cause une obstruction plus facilement.

**REMARQUE :** Votre marchand de réfrigérateurs offre une trousse avec un robinet d'arrêt à étrier de  $\frac{1}{4}$ " (6,35 mm), un raccord et un tube en cuivre. Avant l'achat, s'assurer que le robinet d'arrêt à étrier est conforme aux codes locaux de plomberie.

## Pression de l'eau

Une alimentation en eau froide avec une pression entre 30 et 120 lb/po<sup>2</sup> (207 et 827 kPa) est nécessaire pour faire fonctionner le distributeur d'eau et la machine à glaçons. Si vous avez des questions au sujet de la pression de votre eau, appeler un plombier qualifié agréé.

### Alimentation en eau par osmose inverse

**IMPORTANT :** La pression de l'alimentation en eau entre le système d'osmose inverse et la valve d'arrivée d'eau du réfrigérateur doit être entre 30 et 120 lb/po<sup>2</sup> (207 à 827 kPa).

Si un système de purification de l'eau par osmose inverse est raccordé à votre alimentation en eau froide, la pression de l'eau au système doit être d'un minimum de 40 à 60 lb/po<sup>2</sup> (276 à 414 kPa).

Si la pression de l'eau au système d'osmose inverse est inférieure à 40 à 60 lb/po<sup>2</sup> (276 à 414 kPa) :

- Vérifier pour voir si le filtre du système d'osmose inverse est bloqué et le remplacer si nécessaire.
- Laisser le réservoir du système d'osmose inverse se remplir après une utilisation intense.
- Si votre réfrigérateur a une cartouche de filtre à eau, celle-ci peut réduire encore plus la pression de l'eau lorsqu'elle est utilisée avec un système d'osmose inverse. Retirer la cartouche du filtre à eau.

Si vous avez des questions au sujet de la pression de votre eau, appeler un plombier qualifié agréé.

# INSTRUCTIONS D'INSTALLATION

## Déballage du réfrigérateur

### **AVERTISSEMENT**



#### Risque de basculement

**Le réfrigérateur est lourd au sommet et bascule facilement lorsqu'il n'est pas complètement installé.**

**Garder les portes fermées avec un ruban adhésif jusqu'à l'installation complète du réfrigérateur.**

**Utiliser deux ou plus de personnes pour déplacer et installer le réfrigérateur.**

**Le non-respect de ces instructions peut causer un décès ou une blessure grave.**

### IMPORTANT :

- Ne pas ôter la pellicule protectrice avant que le réfrigérateur ne soit à l'emplacement de service.
  - Les quatre pieds de nivellement doivent toucher le plancher pour supporter et stabiliser le poids total du réfrigérateur.
  - Garder la pièce de carton ou de contreplaqué d'expédition sous le réfrigérateur jusqu'à son installation à l'emplacement de service.
1. Enlever et conserver le sachet de documents et le sachet de pièces fixés par du ruban adhésif sur la porte du réfrigérateur. Enlever les quatre brides (deux de chaque côté) fixant la base utilisée pour l'expédition sous le réfrigérateur.

**REMARQUE :** Ne pas enlever les rubans adhésifs et articles d'arrimage des portes avant que le réfrigérateur ne soit à son emplacement final.

2. Si nécessaire, réduire le rayon de basculement. Voir "Rayon de basculement" pour les exigences relatives à la hauteur du plafond ou "Rayon de basculement" pour les instructions étape par étape. S'il n'est pas nécessaire de réduire le rayon de basculement, poursuivre avec la section "Faire entrer le réfrigérateur dans le domicile".

## Réduction du rayon de basculement (si nécessaire)

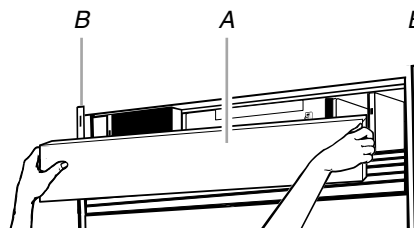
Avant d'apporter le réfrigérateur dans le domicile, s'assurer que la hauteur du plafond est suffisante pour mettre le réfrigérateur en position verticale. Voir "Réduction du rayon de basculement" dans la section "Spécifications de design" pour plus d'informations.

Si vous n'avez pas une hauteur de plafond suffisante pour mettre le réfrigérateur en position verticale, le rayon de basculement peut être réduit en enlevant la grille supérieure et les garnitures latérales (voir le tableau suivant).

Modèle	Rayon de basculement réduit
42" (106 cm)	88½" (224,8 cm)
48" (122 cm)	89¼" (226,7 cm)

### Série de panneaux personnalisés

1. Saisir les deux extrémités de la grille supérieure.
2. Pousser la grille tout droit vers le haut, puis tout droit vers l'extérieur. Poser la grille supérieure sur une surface molle.



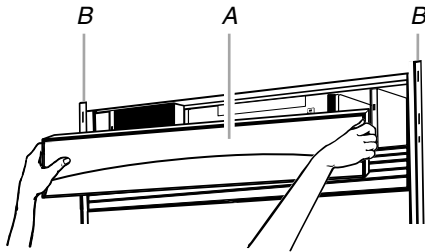
A. Grille supérieure

B. Garniture latérale de la caisse

3. Enlever les six vis qui fixent chaque garniture latérale de la caisse au réfrigérateur et enlever les garnitures latérales.

## Série en acier inoxydable

1. Saisir les deux extrémités de la grille supérieure. Pousser la grille vers le haut, puis la tirer vers l'extérieur. La déposer sur une surface molle.



A. Grille supérieure  
B. Garniture latérale de la caisse

2. Enlever les six vis qui fixent chaque garniture latérale de caisse au réfrigérateur et enlever les garnitures latérales.

## Faire entrer le réfrigérateur dans le domicile

### **AVERTISSEMENT**



#### Risque de basculement

**Le réfrigérateur est lourd au sommet et bascule facilement lorsqu'il n'est pas complètement installé.**

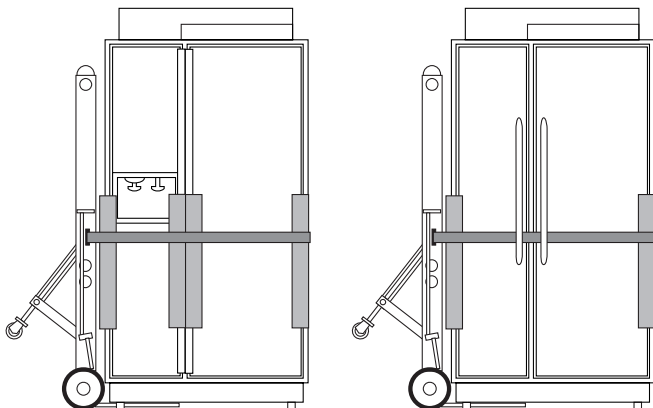
**Garder les portes fermées avec un ruban adhésif jusqu'à l'installation complète du réfrigérateur.**

**Utiliser deux ou plus de personnes pour déplacer et installer le réfrigérateur.**

**Le non-respect de ces instructions peut causer un décès ou une blessure grave.**

3. Introduire le chariot sous le réfrigérateur, côté gauche comme sur l'illustration. Veiller à protéger les garnitures latérales et les poignées. À cette fin, placer les cornières de l'emballage par-dessus les garnitures et poignées. Serrer prudemment la sangle.

**REMARQUE :** Faire passer la sangle du chariot sous les poignées de la série de poignée gaubée et Professional.



4. Placer des pièces de carton d'expédition sur le plancher lorsqu'on utilise un chariot pour faire entrer le réfrigérateur dans le domicile. Déplacer le réfrigérateur près de la cavité d'encastrement.

**REMARQUE :** Si nécessaire, réduire le rayon de basculement. Voir la section "Réduction du rayon de basculement".

5. Placer une feuille de carton ou de contreplaqué sous le réfrigérateur. Enlever le chariot.
6. Ne pas enlever la pellicule protectrice ou le carton.
7. Si nécessaire, réinstaller la garniture et la grille supérieure après avoir retiré le chariot du réfrigérateur.

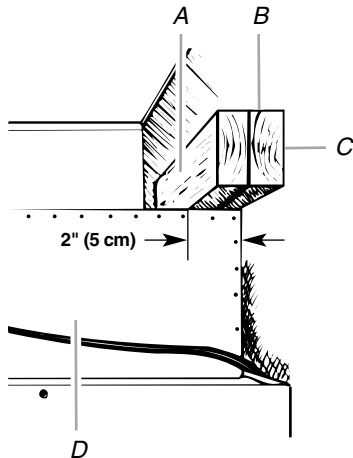
## Installation de planches antibasculement

### IMPORTANT :

- Pour éviter le basculement pendant l'utilisation, le soffite massif doit se trouver à 1" (2,5 cm) maximum au-dessus du réfrigérateur. Si le soffite massif se trouve à plus de 1" (2,5 cm) ou si un soffite n'est pas disponible, le réfrigérateur doit être arrimé.
- On recommande la mise en place d'une ou de plusieurs planches avant l'installation du réfrigérateur.
- Il faut que la ou les planches soit(soient) assez longue(s) pour recouvrir complètement le couvercle du compresseur sur toute la largeur.
- Positionner la ou les planches de telle manière que la surface inférieure soit à 84" (213 cm) du plancher.
- Durant l'installation, soulever le réfrigérateur pour que la distance résiduelle entre le sommet du réfrigérateur et la surface inférieure de la ou des planche(s) antibasculement soit de 1/4" (6,35 mm) maximum. Veiller à ne pas écraser le couvercle du compresseur lors du soulèvement des pieds de réglage de l'aplomb arrière.

## Installation des planches antibasculement

1. Marquer la position des poteaux de colombage sur le mur arrière de 80" à 90" (203 à 229 cm) au-dessus du plancher.
2. Fixer solidement une ou deux planches de 2" x 4" x 32" (5 cm x 10 cm x 81 cm) sur les poteaux de colombage derrière le réfrigérateur. Utiliser 6 vis à bois n° 8 x 3" (7,6 cm) (ou plus longues). Les vis à bois doivent pénétrer dans les poteaux d'au moins 1½" (3,8 cm). La ou les planche(s) doit(doivent) être placée(s) en chevauchement sur le couvercle du compresseur.



- A. Centrer la planche à un maximum de ¼" (6,35 mm) au-dessus du réfrigérateur.  
B. Deux planches de 2" x 4" x 32" (5 cm x 10 cm x 81 cm)  
C. Fixer aux poteaux avec 6 vis n° 8 x 3" (7,6 cm)  
D. Couvercle du compresseur

## Raccordement à la canalisation d'eau

Lire toutes les instructions avant de commencer.

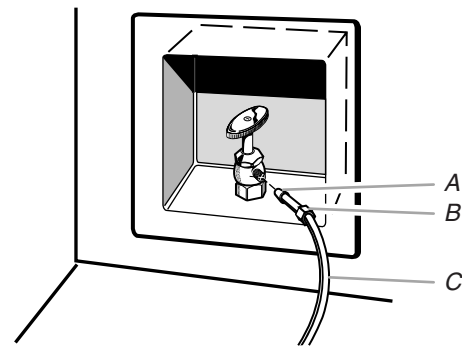
**IMPORTANT :** Si on doit utiliser le réfrigérateur avant que la canalisation d'eau soit connectée, placer la commande de la machine à glaçons à la position OFF (arrêt).

### Style 1 - Raccordement sur robinet d'arrêt

**REMARQUE :** Si le raccordement de la canalisation d'eau ne ressemble pas au Style 1, voir "Style 2 - Raccordement sur une canalisation en cuivre".

1. Débrancher le réfrigérateur ou déconnecter la source de courant électrique.
- IMPORTANT :** Avant de raccorder le tube au robinet d'arrêt, rincer la canalisation d'eau principale pour éliminer l'air et les débris. Laisser s'écouler une quantité d'eau suffisante, jusqu'à ce qu'elle soit limpide. Le rinçage de la canalisation d'eau peut aider à éviter l'obstruction des filtres ou des robinets.
2. Enlever le ruban adhésif fixant le tube gris en spirale à l'arrière du réfrigérateur.

3. Enfiler l'écrou fourni sur le robinet d'arrêt tel qu'illustré.



- A. Embout  
B. Écrou  
C. Tube d'arrivée d'eau

4. Ouvrir le robinet d'arrêt.
5. Inspecter pour rechercher des fuites. Si des fuites sont identifiées, resserrer tous les écrous ou connexions concernés (y compris les connexions au niveau du robinet).
6. Brancher le réfrigérateur ou reconnecter la source de courant électrique.
7. Rincer le circuit d'eau. Voir "Préparation du circuit d'eau".

**REMARQUE :** Attendre 24 heures pour la production du premier lot de glaçons. Jeter les trois premiers lots de glaçons produits. Prévoir un délai de 3 jours pour le remplissage complet du récipient à glaçons.

### Style 2 - Raccordement sur une canalisation en cuivre

#### Raccordement à une canalisation d'eau

**REMARQUE :** Si la canalisation d'eau existante satisfait les critères "Spécifications du circuit d'arrivée d'eau", voir "Raccordement au réfrigérateur".

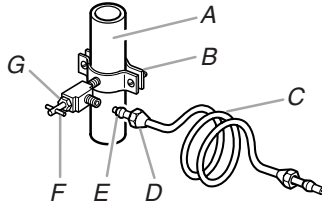
1. Débrancher le réfrigérateur ou déconnecter la source de courant électrique.
2. Fermer le robinet principal d'arrivée d'eau. Ouvrir le plus proche robinet de puisage pendant une période suffisante pour purger toute l'eau de la canalisation.
3. Identifier une canalisation d'eau froide verticale de ½" à ¼" (1,25 cm à 3,18 cm) à proximité du réfrigérateur.

#### IMPORTANT :

- Vérifier qu'il s'agit d'une canalisation d'eau froide.
  - On peut aussi utiliser une canalisation horizontale; dans ce cas, on devra percer sur la face supérieure du tuyau et non pas au-dessous. Ceci empêchera l'eau d'arroser la perceuse et les sédiments qu'on trouve normalement dans l'eau de s'accumuler dans le robinet d'arrêt.
4. Déterminer la longueur de tube de cuivre à utiliser. Mesurer entre le point de connexion (angle inférieur arrière gauche du réfrigérateur) et la canalisation d'eau. Ajouter 7 pi (2,1 m) pour permettre les opérations de nettoyage. Utiliser un tube en cuivre de diamètre externe ¼" (6,35 mm). Veiller à ce que le tube soit coupé d'équerre aux deux extrémités.



- À l'aide d'une perceuse électrique reliée à la terre, percer un trou de ¼" (6,35 mm) dans la canalisation d'eau froide sélectionnée.

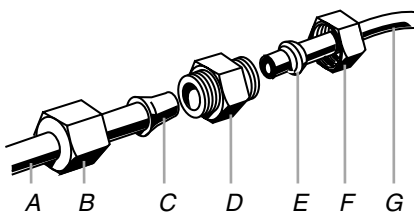


A. Canalisation d'eau froide  
 B. Bride de connexion  
 C. Tube de cuivre  
 D. Écrou de compression  
 E. Virole de compression  
 F. Robinet d'arrêt  
 G. Écrou de presse-étoupe

- Fixer le robinet d'arrêt sur la canalisation d'eau froide avec la bride de connexion. Veiller à bien insérer le raccord du robinet dans le trou de ¼" (6,35 mm) de la canalisation d'eau; veiller à placer correctement le joint sous la bride du connexion. Serrer l'écrou de presse-étoupe. Serrer lentement et uniformément les vis fixant la bride de connexion sur le tuyau afin que le joint établisse l'étanchéité. Ne pas serrer excessivement pour ne pas déformer/écraser le tube de cuivre.
  - Enfiler la virole et l'écrou de compression sur le tube en cuivre tel qu'illustré. Insérer l'extrémité du tube de cuivre dans le raccord de sortie, aussi loin qu'il peut aller. Visser l'écrou de compression sur le raccord de sortie du robinet - utiliser une clé à molette. Ne pas serrer excessivement la bride ou la virole, ceci provoquerait l'écrasement du tube de cuivre.
- IMPORTANT :** Avant de raccorder le tube au robinet d'arrêt, rincer la canalisation d'eau principale pour éliminer l'air et les débris. Laisser s'écouler une quantité d'eau suffisante, jusqu'à ce qu'elle soit limpide. Le rinçage de la canalisation d'eau peut aider à éviter l'obstruction des filtres ou des robinets.
- Fermer le robinet d'arrêt de la canalisation d'eau. Lover le tube de cuivre.
  - Inspecter pour rechercher des fuites au niveau du robinet d'arrêt.

### Raccordement au réfrigérateur

- Débrancher le réfrigérateur ou déconnecter la source de courant électrique.
- Enlever le ruban adhésif fixant le tube gris en spirale à l'arrière du réfrigérateur.
- Mesurer la distance entre le robinet d'arrêt et l'emplacement d'installation du réfrigérateur. On doit placer le tube depuis le robinet d'arrêt et dans l'ouverture du réfrigérateur conformément aux directives spécifiques. Voir "Spécifications de l'alimentation en eau".
- Pour le raccordement du tube d'admission d'eau à une canalisation d'eau existante de la maison, on doit disposer d'un raccord ¼" x ¼" (6,35 mm x 6,35 mm). Enfiler l'écrou fourni sur le raccord à l'extrémité du tube de cuivre.



A. Tube d'arrivée d'eau  
 B. Écrou  
 C. Embout  
 D. Raccord (acheté)  
 E. Virole (achetée)  
 F. Écrou (acheté)  
 G. Canalisation d'eau de la maison (pour la connexion, voir la section précédente)

- Ouvrir le robinet d'arrêt.
- Inspecter pour rechercher des fuites. Si des fuites sont identifiées, resserrer tous les écrous ou connexions concernés (y compris les connexions au niveau du robinet).
- Brancher le réfrigérateur ou reconnecter la source de courant électrique.

8. Rincer le circuit d'eau. Voir "Préparation du circuit d'eau".

**REMARQUE :** Attendre 24 heures pour la production du premier lot de glaçons. Jeter les trois premiers lots de glaçons produits. Prévoir un délai de 3 jours pour le remplissage complet du récipient à glaçons.

## Brancher le réfrigérateur

### ⚠ AVERTISSEMENT



#### Risque de choc électrique

- Brancher sur une prise à 3 alvéoles reliée à la terre.
- Ne pas enlever la broche de liaison à la terre.
- Ne pas utiliser un adaptateur.
- Ne pas utiliser un câble de rallonge.
- Le non-respect de ces instructions peut causer un décès, un incendie ou un choc électrique.

- Régler l'interrupteur de la partie supérieure de la caisse à la position OFF (arrêt).
- Brancher sur une prise à 3 alvéoles reliée à la terre.

## Déplacement du réfrigérateur à l'emplacement final

### ⚠ AVERTISSEMENT



#### Risque de basculement

- Le réfrigérateur est lourd au sommet et bascule facilement lorsqu'il n'est pas complètement installé.
- Garder les portes fermées avec un ruban adhésif jusqu'à l'installation complète du réfrigérateur.
- Utiliser deux ou plus de personnes pour déplacer et installer le réfrigérateur.
- Le non-respect de ces instructions peut causer un décès ou une blessure grave.

**IMPORTANT :** Pour éviter d'endommager le plancher, avant de déplacer le réfrigérateur, vérifier que les pieds sont soulevés (aucun contact avec le plancher) et que le réfrigérateur repose sur ses roulettes.

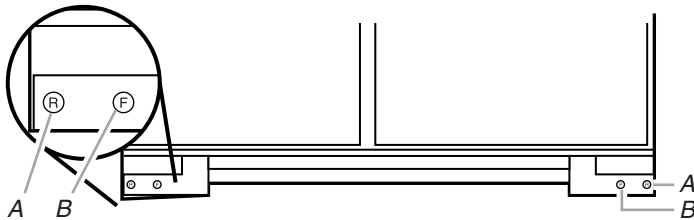
- Placer sous le réfrigérateur le sommet de l'emballage de carton ou une feuille de contreplaqué. Enlever le chariot.

2. Ne pas enlever le film de plastique ou autre matériau de protection.
3. Pousser le réfrigérateur tout droit dans la cavité d'encastrement. Veiller à ce que les garnitures latérales du réfrigérateur n'interfèrent pas avec l'ouverture de la porte. S'assurer également que la canalisation d'arrivée d'eau n'est pas déformée et que le cordon d'alimentation électrique se trouve sur le dessus du réfrigérateur.

## Déploiement des pieds de nivellement

**REMARQUE :** Les quatre pieds de nivellement doivent toucher le plancher pour supporter et stabiliser le poids total du réfrigérateur. Les roulettes ne sont utilisées que pour le déplacement du réfrigérateur, et non pas pour un soutien permanent.

Utiliser une clé à douille de  $\frac{5}{16}$ " pour ajuster la position des 4 pieds de nivellement (rotation dans le sens horaire pour l'abaissement); il faut que le réfrigérateur soit en appui sur les quatre pieds. Les roulettes ne doivent plus être en contact avec le sol. Pour éviter d'endommager la caisse de l'appareil, ne pas appliquer sur les pieds de nivellement un couple de plus de 50 lb/pe (58 cm/kg).



A. Pieds de nivellement arrière  
B. Pieds de nivellement avant

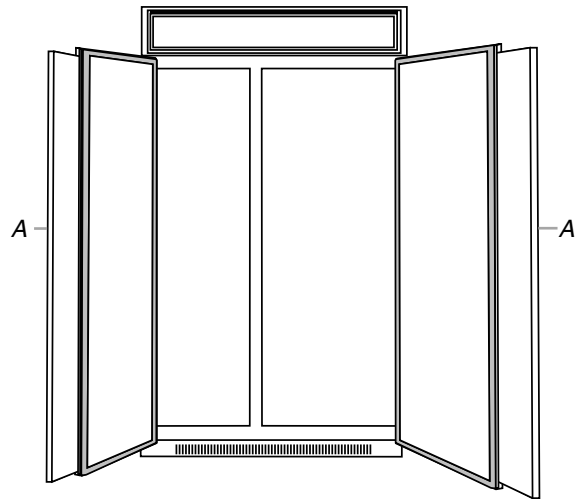
## Installation des panneaux personnalisés

**IMPORTANT :** Thermador n'est pas responsable des opérations d'enlèvement et de réinstallation des moulures ou panneaux décoratifs qui entraveraient l'accès au réfrigérateur lors d'une intervention de réparation.

**REMARQUE :** Pour installer des panneaux de revêtement personnalisés, consulter les instructions d'installation fournies avec l'ensemble de panneaux sans garniture. Voir la section "Spécifications de design" pour plus d'informations.

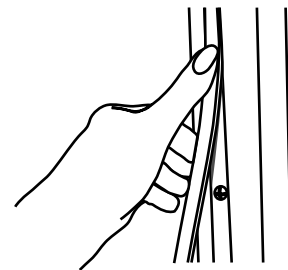
### Panneaux de porte

1. Enlever tous les rubans adhésifs et articles d'arrimage des portes du réfrigérateur et du congélateur.
2. Enlever les vis fixant les poignées sur le cadre de la porte.
3. Enfiler les panneaux décoratifs dans les cadres de porte.
4. Si nécessaire, usiner les panneaux de porte ou installer un panneau de remplissage entre les portes et les panneaux décoratifs. Voir la section "Panneaux personnalisés".



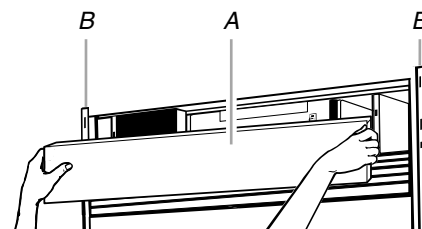
A. Panneaux

5. Réinstaller les poignées de porte. Vérifier que le sommet des deux poignées de porte est aligné.
6. Enlever la pellicule de protection des cache-vis. Enclencher les cache-vis dans la section de garniture de la poignée.



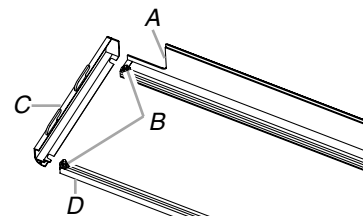
### Panneau de la grille supérieure

1. Saisir les deux extrémités de la grille supérieure.
2. Pousser la grille tout droit vers le haut, puis tout droit vers l'extérieur. Poser la grille supérieure côté panneau vers le bas sur une surface de travail molle.



A. Grille supérieure  
B. Garniture latérale de la caisse

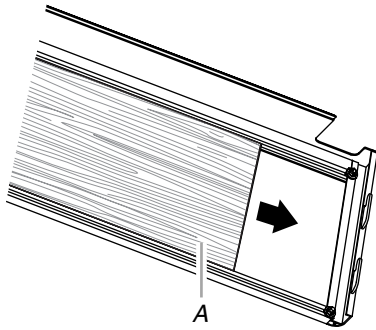
3. Enlever un embout en desserrant les écrous et en faisant glisser et sortir l'embout.



A. Tringle inférieure  
B. Écrous  
C. Embout  
D. Tringle supérieure

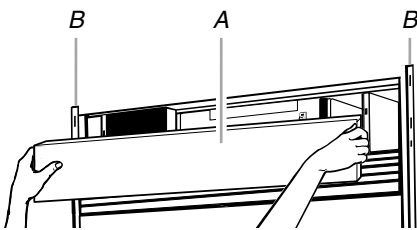


- Glisser le panneau décoratif dans la tringle de la grille supérieure et réinstaller les embouts.



A. Panneau personnalisé

- Réinstaller la grille supérieure dans les garnitures latérales et tirer légèrement le panneau vers le bas pour le verrouiller en place.

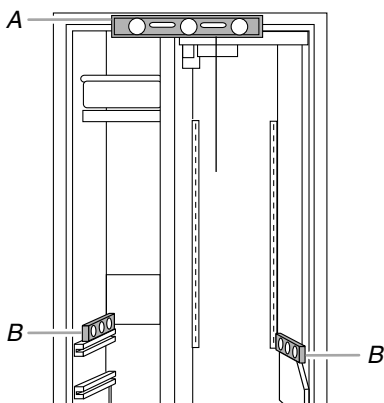


A. Grille supérieure  
B. Garniture latérale de la caisse

## Nivellement du réfrigérateur

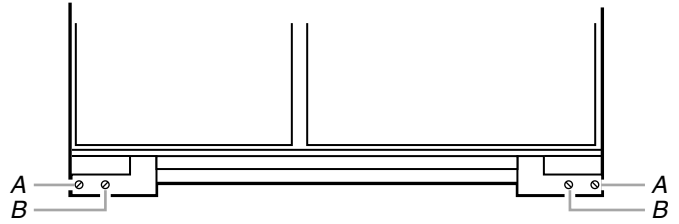
**REMARQUE :** Les panneaux de porte personnalisés ou de revêtement doivent être installés avant le nivellement.

- Ouvrir les portes et placer un niveau sur le dessus du réfrigérateur tel qu'illustré. Vérifier si le réfrigérateur est d'aplomb de gauche à droite.



A. Niveau pour vérifier l'aplomb de gauche à droite  
B. Niveau pour vérifier l'aplomb d'avant en arrière

- Utiliser les écrous de nivellement pour ajuster les pieds de nivellement jusqu'à ce que le réfrigérateur soit d'aplomb de gauche à droite.



A. Écrou de nivellement arrière  
B. Écrou de nivellement avant

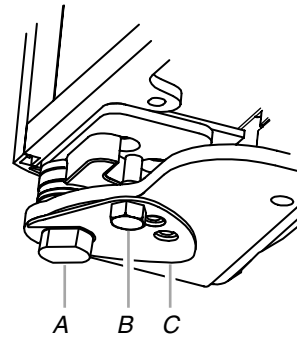
- Placer le(s) niveau(x) sur la ou les tablettes. Vérifier si le réfrigérateur est d'aplomb d'avant en arrière.
- Utiliser les écrous de nivellement pour ajuster les pieds de nivellement jusqu'à ce que le réfrigérateur soit d'aplomb de l'avant à l'arrière.
- Vérifier que les quatre pieds de nivellement sont au contact du plancher et supportent le poids total du réfrigérateur.
- Procéder à une vérification finale pour s'assurer que le réfrigérateur est d'aplomb.

## Ajustement des portes

### Ajustement de la hauteur des portes

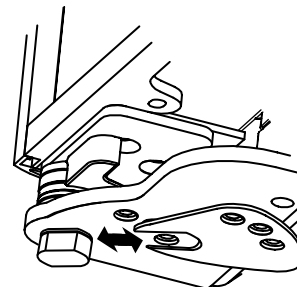
Suivre les étapes suivantes pour ajuster la hauteur des portes vers le haut ou vers le bas, après que les portes ont été mises d'aplomb.

- Ouvrir la porte du congélateur ou du réfrigérateur. Enlever la vis de butée de porte du dessous de la charnière inférieure.



A. Bague  
B. Vis de la butée de la porte  
C. Plaque de verrouillage

- Enlever la plaque de verrouillage tel qu'illustré.

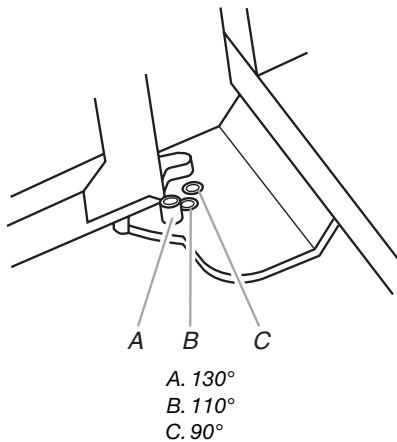


3. Tourner la bague située sous la charnière inférieure en utilisant la clé plate. Tourner la bague vers la gauche (sens antihoraire) soulève la porte. Tourner la bague vers la droite (sens horaire) fait descendre la porte.
4. Après l'ajustement, vérifier les portes pour s'assurer qu'elles sont égales en haut et en bas. Si les portes ne sont pas égales, continuer de tourner la bague pour ajuster la hauteur de la porte.
5. Réinstaller la plaque de verrouillage.
6. Tourner légèrement la bague pour aligner les trous de vis de la charnière et de la plaque de verrouillage.
7. Réinstaller la ou les vis de la butée de porte et serrer.
8. Procéder à une vérification finale pour s'assurer que les portes sont alignées et égales.

### Ajustement de l'ouverture des portes

1. S'assurer que la porte du réfrigérateur s'ouvre librement. Si la porte s'ouvre trop grand ou si vous installez des panneaux de revêtement personnalisés à l'aide d'un ensemble de panneaux sans garniture, vous devez ajuster l'ouverture des portes.
2. Enlever la ou les vis de butée de porte (selon votre modèle) de la charnière inférieure. Voir "Ajustement de la hauteur des portes" plus haut dans cette section.
3. Tenir la porte ouverte à une position de moins de 90°.
4. Réinstaller la ou les vis de butée de porte dans la charnière inférieure et serrer.

**REMARQUE :** Si vous utilisez des panneaux de revêtement personnalisés avec un ensemble de panneaux sans garniture, la butée de la porte devrait être réinstallée à la position de 90° ou de 110°. Voir "Dégagements pour les poignées et portes pour la série de panneaux personnalisés".

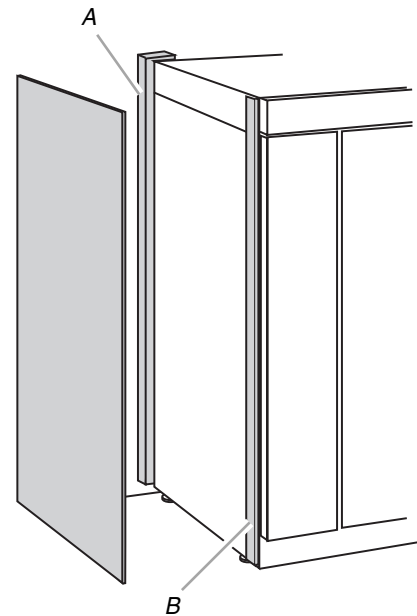


### Installation du panneau latéral

Si la profondeur de la cavité d'encastrement est de 25" (63,5 cm) ou plus, on peut insérer chaque panneau latéral dans la garniture latérale ou le fixer à l'extérieur de la garniture latérale.

**IMPORTANT :** Thermador n'est pas responsable des opérations d'enlèvement et de réinstallation des moulures ou panneaux décoratifs qui entraveraient l'accès au réfrigérateur lors d'une intervention de réparation.

1. Pour la pièce de garniture latérale interne, insérer la rive avant du panneau latéral usiné dans la garniture.
2. Clouer la rive arrière du panneau sur la planche d'appui.

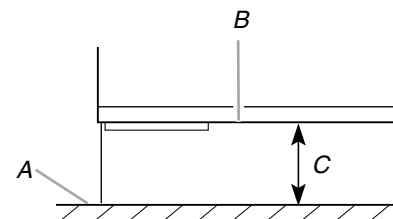


1. Planche d'appui
2. Garniture latérale

### Installation de la grille de la base

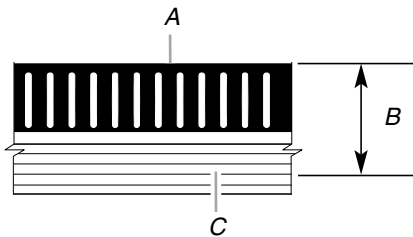
La grille de la base comporte deux pièces pour permettre un ajustement personnalisé : la grille de la base elle-même et la plinthe. La plinthe peut être ajoutée à la grille de la base pour la prolonger jusqu'au plancher.

1. Ouvrir la porte du réfrigérateur et mesurer la distance entre le fond de la caisse et le plancher.



- A. Plancher
- B. Fond de la caisse du réfrigérateur
- C. Distance à mesurer

- Mesurer cette même distance depuis le sommet de la grille de la base jusqu'à la plus proche rainure en "V" sur la plinthe. Entailler la plinthe dans la rainure en "V" avec un couteau, et briser la plinthe sur la ligne d'entaille.



A. Ensemble grille/plinthe  
B. Distance mesurée à l'étape 2 ci-dessus  
C. Entaille dans la rainure en "V"

- Glisser la plinthe sur la grille de la base.
- Fixer la grille de la base sur la caisse avec les deux vis fournies.

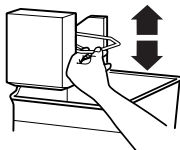
## Préparation du système d'eau

Veuillez lire avant d'utiliser le système d'eau.

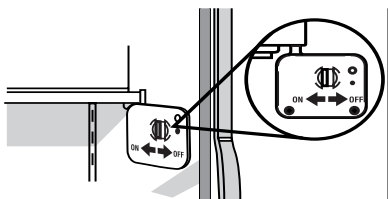
Immédiatement après l'installation, suivre les étapes ci-dessous pour vous assurer que le système d'eau est bien nettoyé.

- Ouvrir la porte du congélateur et arrêter la machine à glaçons. Pour le **Style 1**, soulever le bras de commande d'arrêt en broche tel qu'indiqué sur l'illustration. Pour le **Style 2**, déplacer le commutateur au réglage OFF (à droite) tel qu'indiqué sur l'illustration. Le commutateur On/Off (marche/arrêt) pour la machine à glaçons est situé du côté droit supérieur du compartiment du congélateur.

### Style 1 – Modèles sans distributeur



### Style 2 – Modèles avec distributeur



**REMARQUE :** Si votre modèle est muni d'un système de filtre à la grille de la base, s'assurer que le filtre à la grille de la base est bien installé et que la capsule est à la position horizontale.

Ne pas utiliser pour le filtrage d'une eau microbiologiquement polluée ou de qualité inconnue en l'absence d'un dispositif de désinfection adéquat avant ou après le système. Les systèmes certifiés pour la réduction de kyste peuvent être utilisés pour l'eau désinfectée qui peut contenir des kystes filtrables.

- Utiliser un récipient robuste pour appuyer sur le levier du distributeur d'eau pendant 5 secondes, puis relâcher pendant 5 secondes. Répéter l'opération jusqu'à ce que l'eau commence à couler. Une fois que l'eau commence à couler, répéter l'opération (appui sur le levier du distributeur pendant 5 secondes puis relâchement pendant 5 secondes) pendant 2 minutes supplémentaires. Ceci permettra d'évacuer l'air du filtre et du système de distribution d'eau. Une vidange supplémentaire peut être nécessaire dans certains domiciles.

**REMARQUE :** Pendant l'évacuation de l'air, l'eau peut gicler du distributeur.

- Ouvrir la porte du congélateur et mettre en marche la machine à glaçons. Pour le **Style 1**, abaisser le bras de commande d'arrêt en broche. Pour le **Style 2**, déplacer le commutateur à la position ON (à gauche).
  - Attendre 24 heures pour obtenir la première quantité de glaçons.
  - Jeter les trois premières quantités de glaçons produites.
  - Selon le modèle que vous avez, vous pouvez vouloir choisir la caractéristique de production maximale de glaçons pour augmenter la production de glaçons.

## Achever l'installation

- Tourner le robinet de la canalisation d'eau à la position "Open" (ouvert).
- Tourner le commutateur du réfrigérateur à la position ON (marche). Voir la section "Commutateur marche/arrêt" dans le Guide d'utilisation et d'entretien pour les instructions. Attendre quelques minutes. Vérifier les raccords de la canalisation d'eau pour voir s'il y a des fuites.
- Retirer toutes les boîtes, tous les paquets de pièces et tous les matériaux d'emballage de l'intérieur du réfrigérateur. Voir la section "Nettoyage" dans le Guide d'utilisation et d'entretien pour les instructions. Ôter la pellicule protectrice et le carton de la grille et des portes ou du châssis de la porte, selon le modèle.
- Installer les tablettes et bacs dans les compartiments de réfrigération et de congélation.
- Les commandes sont pré-réglées à l'usine au réglage moyen. S'assurer que le compresseur fonctionne bien et que toutes les lampes s'allument.
- Purger le système d'eau avant l'utilisation. Voir "Préparation du système d'eau."

Pour l'utilisation la plus efficace de votre nouveau réfrigérateur encastré, lire le Guide d'utilisation et d'entretien. Conserver les instructions d'installation et le Guide près du réfrigérateur encastré pour s'y référer facilement.

**2327570A**

© 2007.

All rights reserved.

Todos los derechos reservados.

Tous droits réservés.

®Thermador is a Registered Trademark of BSH Home Appliances Corporation

®Thermador es una marca registrada de BSH Home Appliances Corporation

®Thermador est une marque déposée de BSH Home Appliances Corporation.

Thermador® reserves the right to make changes in models, features, and specifications without prior notice.

Thermador® se reserva el derecho de hacer cambios en los modelos, características y especificaciones sin previo aviso.

Thermador® se réserve le droit d'apporter des changements aux modèles, aux caractéristiques et aux spécifications sans préavis.

3/07

Printed in U.S.A.

Impreso en EE.UU.

Imprimé aux E.-U.

## Free Manuals Download Website

<http://myh66.com>

<http://usermanuals.us>

<http://www.somanuals.com>

<http://www.4manuals.cc>

<http://www.manual-lib.com>

<http://www.404manual.com>

<http://www.luxmanual.com>

<http://aubethermostatmanual.com>

Golf course search by state

<http://golfingnear.com>

Email search by domain

<http://emailbydomain.com>

Auto manuals search

<http://auto.somanuals.com>

TV manuals search

<http://tv.somanuals.com>