



# VENTILATION USE AND CARE MANUAL

MODELS: HMWN30  
HMWN36  
HMWN48

**Thermador** | *An American Icon*

LI3J0A Ed. 08/08



# IMPORTANT SAFETY INSTRUCTIONS

Read All Instructions Before Using the Appliance  
READ AND SAVE THESE INSTRUCTIONS

## WARNING

TO REDUCE THE RISK OF A RANGE TOP  
GREASE FIRE.

- a) Never leave surface units unattended at high settings. Boilovers cause smoking and greasy spillovers that may ignite. Heat oils slowly on low or medium settings.
- b) Always turn hood ON when cooking at high heat or when flambeing food (i.e. Crepes Suzette, Cherries Jubilee, Peppercorn Beef Flambe').
- c) Clean ventilating fans frequently. Grease should not be allowed to accumulate on fan or filter.
- d) Use proper pan size. Always use cookware appropriate for the size of the surface element.

## WARNING

TO REDUCE THE RISK OF INJURY TO  
PERSONS, IN THE EVENT OF A RANGE TOP  
GREASE FIRE, OBSERVE THE FOLLOWING:

- a) SMOTHER FLAMES with a close-fitting lid, cookie sheet, or other metal tray, then turn off the gas burner or the electric element. BE CAREFUL TO PREVENT BURNS. If the flames do not go out immediately, EVACUATE AND CALL THE FIRE DEPARTMENT.
- b) NEVER PICK UP A FLAMING PAN - you may be burned.
- c) DO NOT USE WATER, including wet dishclothes or towels - a violent steam explosion will result.

d) Use an extinguisher ONLY if:

- 1) You know you have a class ABC extinguisher, and you already know how to operate it.
- 2) The fire is small and contained in the area where it started.
- 3) The fire department is being called.
- 4) You can fight the fire with your back to an exit.

FOR GENERAL RESIDENTIAL KITCHEN  
VENTILATING USE ONLY. TO AVOID A FIRE OR  
EXPLOSION HAZARD DO NOT USE TO  
EXHAUST HAZARDOUS OR EXPLOSIVE  
MATERIALS OR VAPOR.

For indoor use only.

Note: The appliance referred to throughout this manual is manufactured by BSH Home Appliances Corporation.

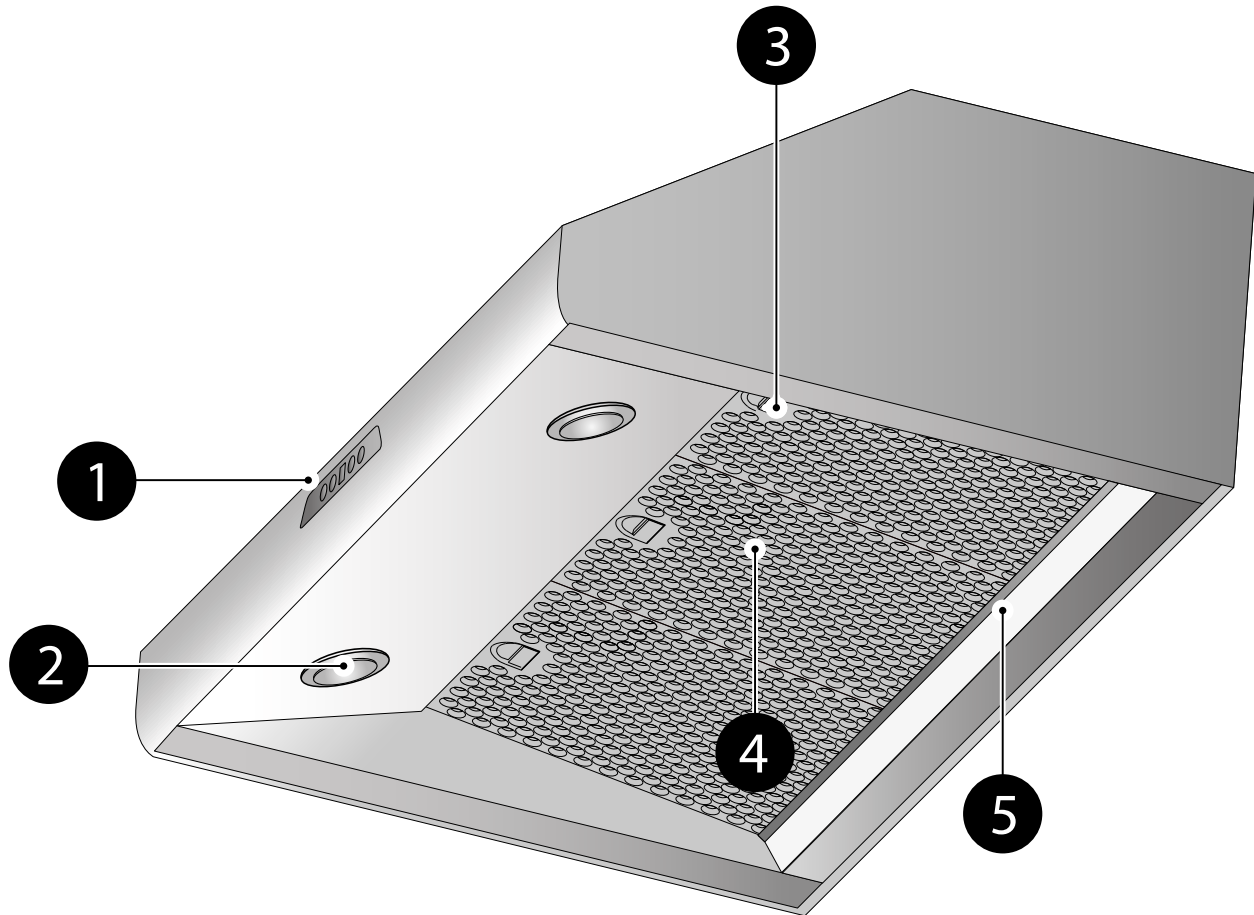
When children become old enough to use the appliance, it is the legal responsibility of the parents or legal guardians to ensure that they are instructed in safe practices by qualified persons.

WARNING: Whenever possible, do not operate blower during a cooktop fire. However, DO NOT REACH THROUGH FIRE TO TURN OFF BLOWER.

## TABLE OF CONTENTS

Important safety instructions	2
Features	3
Control panel	4
Care and cleaning	5-6
Trouble shooting	7
Customer service	8
Warranty	9-10

## FEATURES



1. Blower and lights controls
2. Halogen lamp housings

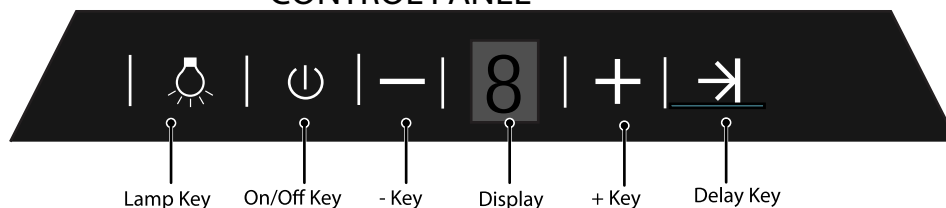


**CAUTION!** Lamps are not supplied. Use ONLY 120 Volt, 50 Watt (maximum) 50° halogen light made or a GU10 base, **suitable for use in open luminarie.**

3. Grease filter Handle
4. Grease filter
5. Drip trays

**Note:** Grease filter and Drip trays are not installed, see relative section in this manual for their installation.

## CONTROL PANEL



### ON / OFF KEY:

Pressing "On / Off Key" button once turns blower on. The hood will turn on at level 2

### -KEY , +KEY:

Pressing "- key" once from a high speed, turns the blower on low. Each successive press of the +key button increases the fan speed. The fan cycles stay high until the "- key" is pressed backing to the low speed. The Display indicates the current fan speed.

### CHARCOAL FILTER:

This "charcoal filter" option is useful only if the hood is installed in filtering mode. The hood is configured as ducted from the factory.

If it's desirable to install the hood as filtering mode, the filtering accessory needs to be purchased, it includes the air deflector and the charcoal filters.

To activate a new charcoal filter you need to keep pressed the "key -" and "key +" simultaneously for three seconds. The charcoal filter is then activated, a "C" will appear in the display and a "beep" will sound. To deactivate the charcoal filter option, the same procedure needs to be done; also a "C" will be displayed and a "beep" will sound when it has been deactivated.

After 240 functional hours of the fan operation, charcoal filters must be removed. A "C" will be displayed (fig a) indicating the charcoal filter saturation, and the filter needs to be changed. To reset the charcoal filter saturation alarm, press and hold the "Key ON/OFF" for three seconds.

### GREASE FILTER:

After 40 hours of operation, the grease filters need to be cleaned. Three horizontal bars, will appears in the display when motor is switched off.

After cleaning, reset the timer, pressing the "0" - Button for three seconds, then the horizontal bars will disappear. (fig. b)

### LAMP KEY:

This button controls the halogen lighting. The first press turns the lights on. A second press turns the lights off.

### DELAY:

The motor turns on in speed 1 and after 10 minutes is turned off. If Delay button is pressed again, the motor is turned off. If the button "+" is touched during the timer countdown the delay option is cancelled and the motor is in the 2nd speed. If the button "-" is touched during the timer countdown the delay option is cancelled and the motor is turned off.



fig. a  
Charcoal Filter: Timer Indicator.



fig. b  
Grease Filter: Timer Indicator.

- Continuous use of the fan system while cooking helps keep the kitchen comfortable and less humid.
- It also reduces cooking odors and soiling moisture that create a frequent need for cleaning.
- Turn the blower on before starting to cook.
- Use a rear burner when browning or pan frying meat.
- Open a window or inside door slightly.
- Clean the filters and the wall behind the filters frequently.
- The blower should be turned on for a few minutes before cooking in order to establish air currents up-ward through the hood. Thus when heat, smoke, moisture, grease and cooking odors are produced, they will be carried outside instead of drifting into other rooms.
- Use the low speeds for normal use and the higher speeds for strong odors or fumes.

**Note:** Always turn on the hood when using more than two cooking zones of the range or when grilling.

- Drafts across the range or cooktop will cause the escape of heat, smoke, moisture, grease and cooking odors from the hood. Such drafts should be prevented in so far as possible.
- The best job of ventilation in the kitchen is done where the only air currents are those created by the blower itself.
- For Gas Cooktops, a lower blower speed should be used if:
  - The gas flame is being distorted by the air movement.
  - The burner continually sparks (clicks)
  - The burner flame repeatedly blows out.

## CARE AND CLEANING

The efficiency of the range hood system depends on the cleanliness of the intake and filters.

The frequency of cleaning depends on the amount and type of cooking.

• Do not use the ventilating system without the filters in place or with grease-laden filters or surfaces.



**WARNING:** To avoid risk of fire and explosion do not use flammable liquids or solvents.

Always unplug or disconnect the appliance from the power supply before servicing.

**WARNING:** Be sure the entire hood (including the filters and light bulbs) has cooled and grease has solidified before attempting to clean any part of the appliance.

### Filters and drip trays

These hoods have reusable metal grease filters and drip trays.

The metal filters also help prevent flaming foods on the cooktop from damaging the inside of the hood.

For this reason, the metal filters must **ALWAYS** be in place when the hood is used.

### To Clean Filters and Drip Trays

- The metal filters and drip trays should be cleaned once a month, or as needed.
- To clean the metal filters and drip trays, drain and wipe all excess grease with a dry paper towel. Soak them and then swish them around in hot water and detergent. Don't use ammonia or ammonia products because they will darken the metal.
- Do not use abrasives or oven cleaners. Rinse, shake and let them dry before replacing. They may also be cleaned in an automatic dishwasher.

### To Remove The Metal Grease Filters and the Drip Trays

- Turn the fan and lights off.
- Push each handle towards the back and pull downwards. Figure 1
- Unscrews the knobs that fix the drip trays holding brackets. Figure 2
- Grasp the drip tray and carefully lift it up and out of the hood track. Figure 2.

### To Replace The Metal Grease Filters

- Reverse procedure.

### To replace the Drip Trays

Figure 2-3:

1. Place and seat the drip tray into the hood track.
2. Slide them left or right until all trays are side by side in place in the track.
3. Block firmly in place side drip trays with the the drip trays holding brakets.

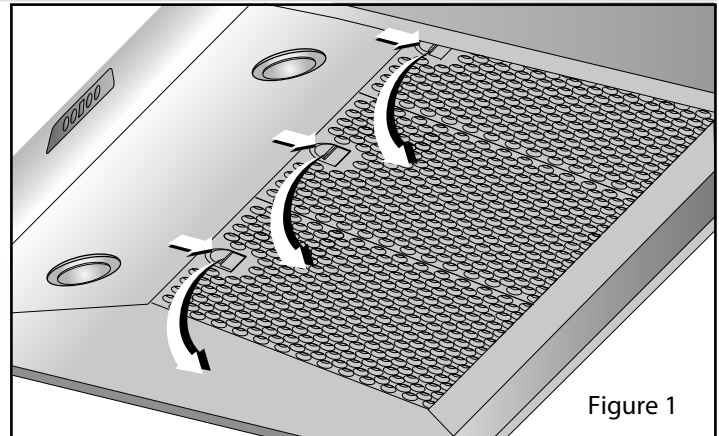


Figure 1

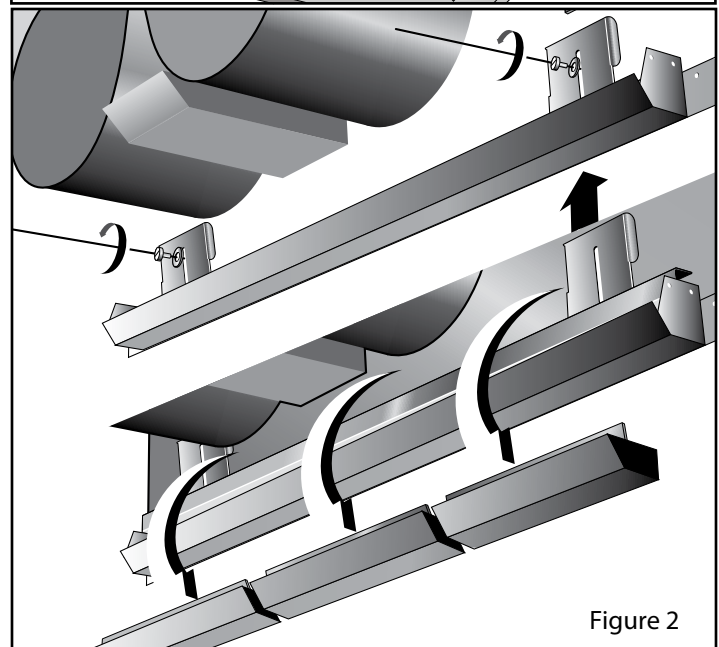


Figure 2

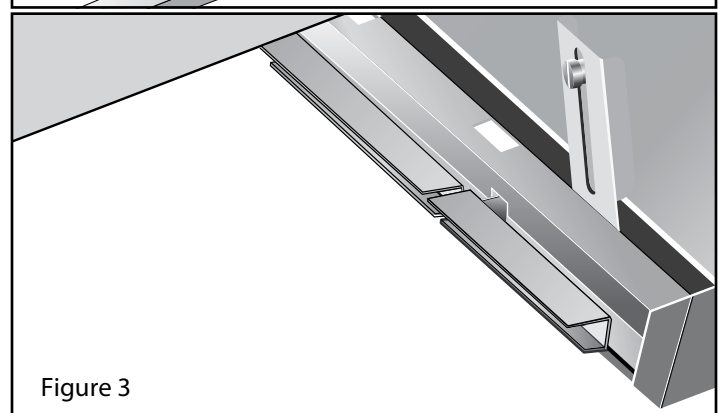



Figure 3



## LIGHTS

 **CAUTION:** Should read before replace the lamps, switch power off at service panel and lock service panel disconnecting means to prevent power from being switched on accidentally.

NOTE: Turn off the lights and fan. Allow the lights to cool before handling. If new lights do not operate be sure lights are inserted correctly before calling service.

Note! Lamps are not supplied and must be purchased separately.

### Replace Lights

- Remove the damaged light (twist counter clockwise) and replace with a new 120 Volt, 50 Watt (maximum) 50° halogen light made for a GU10 base, suitable for use in open luminarie.

## CLEANING THE HOOD

- Always use the mildest cleaner that will do the job. Use clean, soft cloths, sponges or paper towels.
- Rub stainless steel finishes in the direction of the grain. Wipe area dry to avoid water marks.
- After cleaning, place all parts in their proper positions before using.

The cleaners recommended below indicate a type and do not constitute an endorsement. Use all products according to package directions.

### Care and Cleaning Chart

A	Anodized Aluminum surfaces	Top cap is not removable. Wash top and underside with hot sudsy water. Rinse and wipe dry or apply Fantastic® or Formula 409® first to a clean sponge or paper towel and wipe clean. DO NOT USE powdered cleansers or steel wool pads.
B	Aluminum Mesh Filters	Clean filters in the dishwasher or by agitating in sudsy water. Ensure that there is no soil trapped in the fine mesh. Dry the filters before reinstalling them.
C	Plastic surfaces	DO NOT REMOVE control buttons. Wipe with a moist soapy sponge. Rinse and dry.
D	Painted surfaces	For general care, wipe the outside of the hood with sudsy water or household cleaners such as Fantastic or Formula 409, rinse well and dry with a clean soft cloth to avoid water marks. DO NOT USE powdered cleansers or steel wool pads.
E	Stainless Steel Surfaces	Wipe and dry stainless steel in the same direction as the grain. Avoid using too much pressure, which may mar the surface. To remove finger prints and give added shine, use cleaners such as Stainless Steel Magic. Do not allow any cleaning compounds to remain in contact with stainless steel for extended periods.

## Trouble Shooting

Issue	Cause	What to do
After installation, the unit doesn't work?	1. The power source is not turned ON.	1. Make sure the circuit breaker and the unit's power is ON.
	2. The power line and the cable locking connector is not connecting properly.	2. Check the power connection when the unit is connected properly.
	3. The switch board and control board wirings are disconnected.	3. Make sure the wirings between the switch board and control board are connected properly.
	4. The switch board or control board is defective.	4. Call for Service
Light works, but motor is not turning.	1. The thermally protected system detects if the motor is too hot to operate and shuts the motor down.	1. The motor will function properly after the thermally protected system cools down.
The unit is vibrating.	1. The motor is not secure in place.	1. Tighten the motor in place.
	2. Damaged blower wheel.	2. Call for Service
	3. The hood is not secured in place.	3. Check the installation of the hood.
The motor is working, but the lights are not.	1. Defective halogen lights. 2. The halogen lamps is loose.	1. Change the halogen lights. 2. Tighten the halogen lamps.
The hood is not venting out properly.	1. The hood might be hanging too high from the cook top. 2. The wind from the opened windows or opened doors in the surrounding area are affecting the ventilation of the hood. 3. Blocking in the duct opening or ductwork. 4. The direction of duct opening is against the wind. 5. Using the wrong size of ducting.	1. Adjust the distance between the cook top and the bottom of the hood within 30" and 36" range. 2. Close all the windows and doors to eliminate the outside wind flow. 3. Remove all the blocking from the duct work or duct opening. 4. Adjust the duct opening direction. 5. Change the ducting to at least 8" or higher.
Metal filter is vibrating.	1. Metal filter is loose.	1. Secure properly the grease filter to the grease tray.

## CUSTOMER SERVICES

### Before Calling for Service

If the blower does not operate:

- Ensure that the electrical cord is properly connected and the supply circuit is energized.
- Make sure that the blower speed control indicators are not in the OFF position.



# STATEMENT OF LIMITED PRODUCT WARRANTY

## What this Warranty Covers & Who it Applies to

The limited warranty provided by BSH Home Appliances Thermador in this Statement of Limited Product Warranty applies only to the Thermador appliance sold to you, the first using purchaser, provided that the Product was purchased:

- For your normal, household (non-commercial) use, and has in fact at all times only been used for normal household purposes.
- New at retail (not a display, "as is", or previously returned model), and not for resale, or commercial use.
- Within the United States or Canada, and has at all times remained within the country of original purchase.

The warranties stated herein apply only to the first purchaser of the Product and are not transferable.

Please make sure to return your registration card; while not necessary to effectuate warranty coverage, it is the best way for Thermador to notify you in the unlikely event of a safety notice or product recall.

## How Long the Warranty Lasts

Thermador warrants that the Product is free from defects in materials and workmanship for a period of twelve (12) months from the date of purchase. The foregoing timeline begins to run upon the date of purchase, and shall not be stalled, tolled, extended, or suspended, for any reason whatsoever.

## Repair/Replace as Your Exclusive Remedy

During this warranty period, Thermador or one of its authorized service providers will repair your Product without charge to you (subject to certain limitations stated herein) if your Product proves to have been manufactured with a defect in materials or workmanship. If reasonable attempts to repair the Product have been made without success, then Thermador will replace your Product (upgraded models may be available to you, in Thermador's sole discretion, for an additional charge). All removed parts and components shall become the property of Thermador at its sole option. All replaced and/or repaired parts shall assume the identity of the original part for purposes of this warranty and this warranty shall not be extended with respect to such parts. Thermador's sole liability and responsibility hereunder is to repair manufacturer-defective Product only, using a Thermador-authorized service provider during normal business hours. For safety and

property damage concerns, Thermador highly recommends that you do not attempt to repair the Product yourself, or use an un-authorized service provider; Thermador will have no responsibility or liability for repairs or work performed by a non-authorized service. If you choose to have someone other than an authorized service provider work on your Product, THIS WARRANTY WILL AUTOMATICALLY BECOME NULL AND VOID. Authorized service providers are those persons or companies that have been specially trained on Thermador products, and who possess, in Thermador's opinion, a superior reputation for customer service and technical ability (note that they are independent entities and are not agents, partners, affiliates or representatives of Thermador). Notwithstanding the foregoing, Thermador will not incur any liability, or have responsibility, for the Product if it is located in a remote area (more than 100 miles from an authorized service provider) or is reasonably inaccessible, hazardous, threatening, or treacherous locale, surroundings, or environment; in any such event, if you request, Thermador would still pay for labor and parts and ship the parts to the nearest authorized service provider, but you would still be fully liable and responsible for any travel time or other special charges by the service company, assuming they agree to make the service call.

## Out of Warranty Product

Thermador is under no obligation, at law or otherwise, to provide you with any concessions, including repairs, pro-rates, or Product replacement, once this warranty has expired.

## Warranty Exclusions

The warranty coverage described herein excludes all defects or damage that are not the direct fault of Thermador, including without limitation, one or more of the following:

- Use of the Product in anything other than its normal, customary and intended manner (including without limitation, any form of commercial use, use or storage of an indoor product outdoors, use of the Product in conjunction with air or water-going vessels).
- Any party's willful misconduct, negligence, misuse, abuse, accidents, neglect, improper operation, failure to maintain, improper or negligent installation, tampering, failure to follow operating instructions, mishandling, unauthorized service (including self-performed "fixing" or exploration of the appliance's internal workings).
- Adjustment, alteration or modification of any kind.
- A failure to comply with any applicable state, local, city, or county electrical, plumbing and/or building codes, regulations, or laws, including failure to install the product in strict conformity with local fire and building codes and regulations.

- Ordinary wear and tear, spills of food, liquid, grease accumulations, or other substances that accumulate on, in, or around the Product.
- Any external, elemental and/or environmental forces and factors, including without limitation, rain, wind, sand, floods, fires, mud slides, freezing temperatures, excessive moisture or extended exposure to humidity, lightning, power surges, structural failures surrounding the appliance, and acts of God.

In no event shall Thermador have any liability or responsibility whatsoever for damage to surrounding property, including cabinetry, floors, ceilings, and other structures or objects around the Product. Also excluded from this warranty are scratches, nicks, minor dents, and cosmetic damages on external surfaces and exposed parts; Products on which the serial numbers have been altered, defaced, or removed; service visits to teach you how to use the Product, or visits where there is nothing wrong with the Product; correction of installation problems (you are solely responsible for any structure and setting for the Product, including all electrical, plumbing or other connecting facilities, for proper foundation/flooring, and for any alterations including without limitation cabinetry, walls, floors, shelving, etc.); and resetting of breakers or fuses.

**TO THE EXTENT ALLOWED BY LAW, THIS WARRANTY SETS OUT YOUR EXCLUSIVE REMEDIES WITH RESPECT TO PRODUCT, WHETHER THE CLAIM**

ARISES IN CONTRACT OR TORT (INCLUDING STRICT LIABILITY, OR NEGLIGENCE) OR OTHERWISE. THIS WARRANTY IS IN LIEU OF ALL OTHER WARRANTIES, WHETHER EXPRESS OR IMPLIED. ANY WARRANTY IMPLIED BY LAW, WHETHER FOR MERCHANTABILITY OR FITNESS FOR A PARTICULAR PURPOSE, OR OTHERWISE, SHALL BE EFFECTIVE ONLY FOR THE PERIOD THAT THIS EXPRESS LIMITED WARRANTY IS EFFECTIVE. IN NO EVENT WILL THE MANUFACTURER BE LIABLE FOR CONSEQUENTIAL, SPECIAL, INCIDENTAL, INDIRECT, "BUSINESS LOSS", AND/OR PUNITIVE DAMAGES, LOSSES, OR EXPENSES, INCLUDING WITHOUT LIMITATION TIME AWAY FROM WORK, HOTELS AND/OR RESTAURANT MEALS, REMODELLING EXPENSES IN EXCESS OF DIRECT DAMAGES WHICH ARE DEFINITELY CAUSED EXCLUSIVELY BY THERMADOR, OR OTHERWISE. SOME STATES DO NOT ALLOW THE EXCLUSION OR LIMITATION OF INCIDENTAL OR CONSEQUENTIAL DAMAGES, AND SOME STATES DO NOT ALLOW LIMITATIONS ON HOW LONG AN IMPLIED WARRANTY LASTS, SO THE ABOVE LIMITATIONS MAY NOT APPLY TO YOU. THIS WARRANTY GIVES YOU SPECIFIC LEGAL RIGHTS, AND YOU MAY ALSO HAVE OTHER RIGHTS WHICH VARY FROM STATE TO STATE.

No attempt to alter, modify or amend this warranty shall be effective unless authorized in writing by an officer of BSH.

### **How to Obtain Warranty Service:**

To obtain warranty service for your Product, you should contact the nearest THERMADOR authorized service center.

BSH Home Appliances - 5551 McFadden Avenue, Huntington Beach, CA 92649 / 800-735-4328



# IMPORTANTES INSTRUCTIONS DE SECURITÉ

LISEZ TOUTES LES INSTRUCTIONS AVANT USAGE DE VOTRE ÉLECTROMÉNAGÉ  
LISEZ ET GARDEZ CETTES INSTRUCTIONS

## ATTENTION POUR RÉDUIRE LE RISQUE D'INCENDIE DU AUX GRAISSSES CULINAIRES.

a) Ne vous éloigner pas et ne laisser jamais vos plaques de cuisson sans surveillance, en particulier quand allumées à hautes températures. Lorsque les casseroles débordent, il peuvent se produire des émanations de fumée et des éclaboussures de matières grasses inflammables.

b) Nous vous recommandons de toujours mettre en marche votre extracteur lorsque vous cuisinez à haute température ou lorsque vous flambez des aliments (par ex. des crepes suzettes, des steak flambés au poivre ou des cerises flambées).

c) Nettoyer fréquemment les ventilateurs de la hotte. Ne laisser pas s'accumuler la graisse sur les ventilateurs ou sur les filtres.

d) Utiliser des casseroles et autres ustensiles de cuisines dont la taille soit adaptées à celle de vos surfaces de cuisson.

## ATTENTION POUR RÉDUIRE LE RISQUE D'ACCIDENTS ET DE BLESSURE, ANSI QUE DANS LE CAS D' UN INCENDIE DU AUX GRAISSSES CULINAIRES. VEUILLEZ SUIVRE LES INDICATIONS SUIVANTES :

a) Éteindre les flammes à l'aide d'un couvercle d'une taille proche de celle de la zone enflammée, d'une plaque à biscuit ou d'un plateau en métal. Éteignez ensuite la plaque électrique ou coupez le gaz selon le cas. SOYEZ PRUDENT POUR EVITER DES BRULURES. Si les flammes ne cèdent pas immédiatement, EVACUEZ ET

b) NE JAMAIS PRENDRE OU SOULEVEZ UNE CASSE-ROLLE EN FLAMMES. Vous risquez de vous brûler.

c) NE PAS UTILISER D'EAU, ni même de chiffons de cuisine humides ou mouillés ou de serviettes : il s'en suivrait une violente explosion de vapeur.

d) Utilisez un extincteur uniquement dans le cas où :

1) Vous savez posséder un extincteur de classe ABC et que vous savez comment vous en servir.

2) Le feu est peu étendu et se trouve concentré dans la zone où il a démarré.

3) Vous avez appelé les Pompiers ou quelqu'un est en train de le faire.

4) Vous pouvez combattre le feu de dos à une sortie.

## APPAREIL DESTINÉ À ÊTRE UTILISÉ EXCLUSIVEMENT EN CUISINE RESIDENTI- ELLE DOMESTIQUE. AFIN D'ÉVITER TOUT RISQUE D'EXPLOSION, NE PAS UTILISER POUR VENTILER OU EXTRAIRE DES VAPEURS OU FUMÉES PROVENANT DE SUBSTANCES DANGEREUSES OU EXPLO- SIVES.

Appareil destiné uniquement à une utilisation d'intérieur – ne pas utiliser à l'extérieur.

Remarque : L'appareil auquel il est fait référence tout au long de ce manuel est fabriquée par BSH Home appliances Corporation.

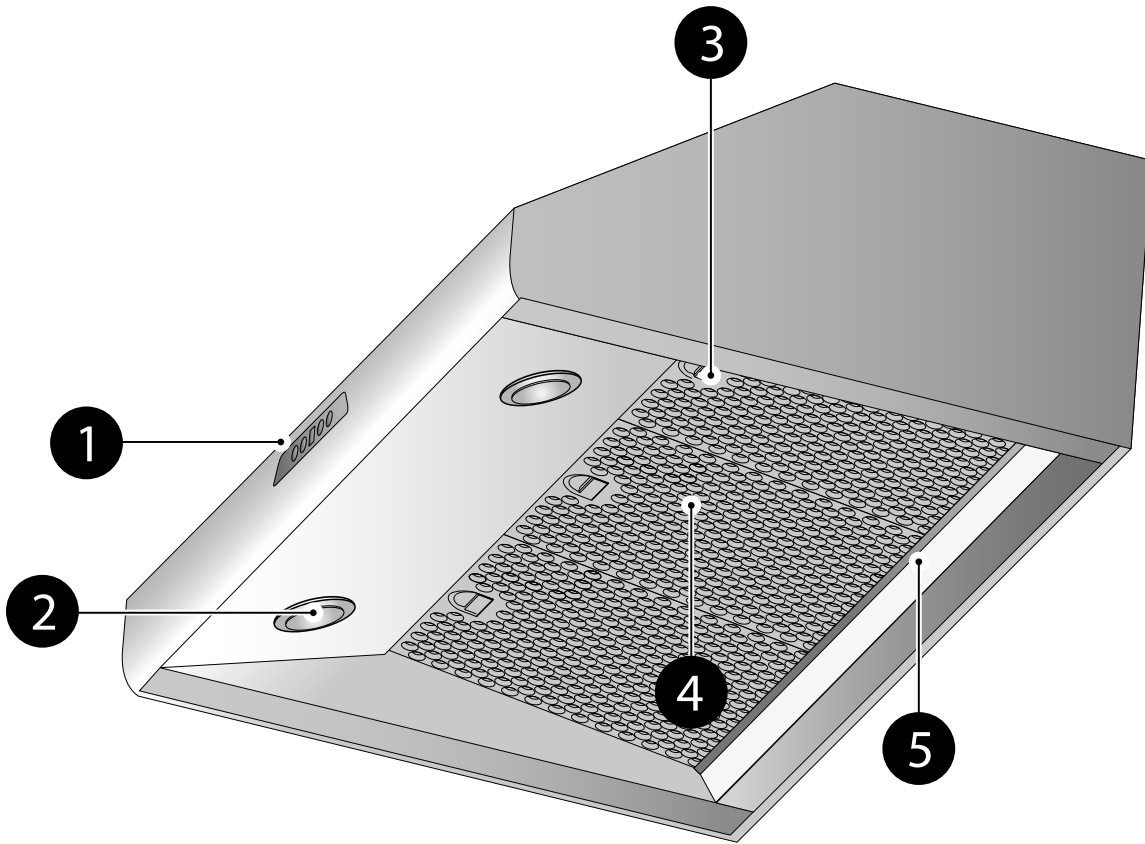
Lorsque les enfants sont assez grands (agés) pour utiliser cet appareil, les parents ou le tuteur légal, ont la responsabilité légale de s'assurer qu'une personne dûment qualifiée leur enseigne le maniement du dit appareil.

**ATTENTION :** Quand cela est possible, ne pas utiliser l'appareil lorsqu'une préparation s'enflamme, **MAIS NE PAS ESSAYER DE PASSER UNE QUELCONQUE PARTIE DU CORPS AU TRAVERS DES FLAMMES POUR ÉTEINDRE L'APPAREIL.**


## Sommaire

Importantes instructions de sécurité	11
Caractéristiques	12
Tableau de commandes	13
Entretien et nettoyage	14-15
Identification des pannes	16
Service à la clientèle	17
Garantie	18-19

## CARACTÉRISTIQUES



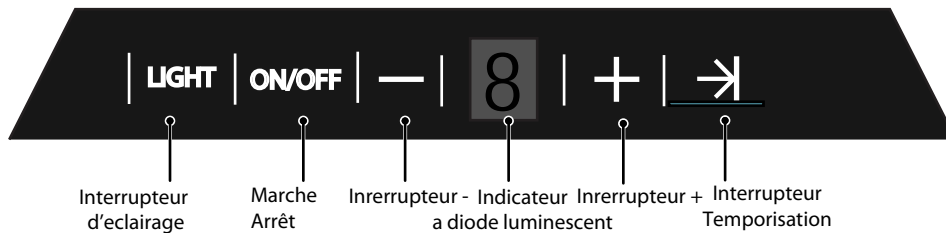
- 1. Ventilateur et interrupteurs d'éclairage.
- 2. Compartiment des lampes hallogènes

**ATTENTION!**  Les lampes ne sont pas fournies. UTILISER UNIQUEMENT des lampes hallogènes de 120 VOLTS d'une puissance de 50 Watts (maximum) à 50 degrés ou à base GU10, **adaptée à l'utilisation en luminaire ouvert.**

- 3. Poignée de manipulation des filtres de graisse
- 4. Grille d'égouttement

Remarque : Les filtres de graisse et les grilles d'écoulement ne sont pas installés, veuillez vous reporter de la section correspondante de ce manuel pour leur installation.

## TABLEAU DE COMMANDES



### MARCHE/ARRÊT:

Appuyer une fois sur ce bouton met en route le ventilateur. La hotte démarrera en niveau 2.

### INTERRUPTEUR - INTERRUPTEUR +

Appuyer une fois sur "Interrupteur -" lorsque la hotte fonctionne a haute Vitesse fait passer le ventilateur a vitesse lente. Chaque fois pression successive du bouton "interrupteur+" fait augmenter la vitesse du ventilateur. La vitesse de la hotte se maintiendra en position "haute" jusqu'a ce que le bouton "interrupteur-" soit à nouveau actionné.

### FILTRE À CHARBON:

L'option "filtre à charbon" n'est utile que si la hotte est installée sur le mode de recyclage. La hotte est configurée d'usine en mode "évacuation".

S'il est nécessaire d'installer la hotte en mode de recyclage, il faudra acheter les accessoires prévus à cet effet. Ces accessoires incluent un déflecteur d'air et le filtre à charbon.

Pour activer le Nouveau filtre a charbon, il vous faut appuyer simultanément sur les touches "interrupteur-" et "interrupteur +" pendant 3 secondes. Le filtre à charbon est alors actif et un "C" apparait sur l'indicateur luminescent et l'appareil émet un "bip" sonore. Pour désactiver l'option "filtre à charbon" il suffit de répéter la procédure précédente. Un « apparaitra » également sur l'indicateur luminescent et un « bip » se fera entendre lorsque la désactivation se complétera.

Après 240 heures de fonctionnement du ventilateur, les filtres à charbon doivent être remplacés. Un « C » s'affichera sur l'indicateur luminescent, indiquant que le filtre a charbon est saturé et doit être remplacé. Pour remettre à zéro l'alarme de saturation de filtre, appuyer sur la touche « Marche/arrêt » pendant trois secondes.

### FILTRE À GRAISSES:

Après 40 heures d'opération, le filtre a graisses doit être nettoyé. Trois barres horizontales apparaitront sur l'indicateur luminescent lorsque le moteur est mis en position « Arrêt ».

Après nettoyage, mettre a zéro l'horloge en appuyant le bouton « 0 » pendant trois secondes. Les barres horizontales disparaîtront de l'indicateur. (Fig.).

### INTERRUPTEUR D'ÉCLAIRAGE:

Ce bouton contrôle l'éclairage halogène de l'appareil. En appuyant une fois sur ce bouton l'éclairage se met en marche, une deuxième pression sur ce même bouton, permet de l'éteindre.

### INTERRUPTEUR DE TEMPORISATION:

le moteur se met en route en vitesse 1 et après 10 minutes s'éteint. Si l'interrupteur de temporisation est actionné à nouveau, le moteur s'éteint. Si le bouton « + » est actionné pendant que le compte a rebours du temporisateur, l'option de temporisation est annulée et le moteur passe en vitesse 2. Si le bouton «-» est actionné pendant que le compte a rebours du temporisateur, l'option de temporisation est annulée et le moteur s'éteint.



fig. a

Filtre à charbon: Interrupteur de temporisation



fig. b

Filtre à graisses: Interrupteur temporisation

## POUR DE MEILLEURS RÉSULTATS:

- L'utilisation continue de l'appareil pendant toute la période de cuisson des aliments, vous permettra de maintenir votre cuisine plus confortable et moins humide.
- Cela permettra également de réduire les odeurs de cuisine, ainsi que la saleté due aux dépôts humides provoqués par les vapeurs de cuisson, phénomènes qui créent le besoin de nettoyages plus fréquents.
- Allumez votre hotte aspirante avant de commencer à cuisiner.
- Ouvrez légèrement une fenêtre ou une porte intérieure.
- Nettoyez fréquemment les filtres de l'appareil ainsi que le mur qui se trouve derrière celui-ci.
- La hotte doit être mise en service quelques minutes avant le début de la cuisson afin de créer un courant d'air ascendant. De cette façon, lorsque la cuisson produira de la chaleur, de la fumée et des graisses, celles-ci seront directement aspirées par la hotte au lieu de s'éparpiller dans d'autres pièces de la maison.

- Utilisez la vitesse la plus lente pour des cuissons normales et utilisez la vitesse la plus élevée

### NOTE:

Toujours mettre en service votre hotte aspirante quand il utilisera plus de deux brûleurs de son fourneau et fasse des drillades.

- Les meilleurs résultats de ventilation sont obtenus lorsque les seuls courants d'air présents dans la cuisine sont ceux créés par la hotte aspirante.
- Pour les plaques de cuisson au gaz, il est recommandé d'utiliser une vitesse de ventilation plus basse dans le cas où :
  - La flamme est altérée par le courant d'air produit par l'appareil.
  - Le brûleur crépite constamment.
  - La flamme s'éteint de façon répétée.

## ENTRETIEN ET NETTOYAGE

L'efficacité de votre hotte aspirante dépend de la propreté des dispositifs d'aspiration de l'air ainsi que de celle des filtres.

La fréquence de nettoyage dépendra de la quantité ainsi que du type de cuissons que vous réaliserez.

Ne pas utiliser l'appareil si les filtres ne sont pas en place ou si la surface des filtres est chargée de graisses



**ATTENTION:** Fin d'éviter tout risque d'incendie ou d'explosion, ne pas utiliser de solvants ou de produits inflammables.

**ATTENTION:** Veillez à toujours débrancher le câble d'alimentation électrique avant de procéder à l'entretien de votre appareil.

### Filtres et grilles d'écoulement.

Ces parties sont composées de filtres à graisses métalliques réutilisables, ainsi que de grille d'écoulement.

Les filtres métalliques, permettent aussi d'éviter que des flammes provenant d'aliments enflammés, ne détériorent l'intérieur de l'appareil.

C'est pour cette raison que les filtres métalliques doivent toujours être en place lorsque l'appareil se trouve en service.

### Pour nettoyer les filtres et les grilles d'écoulement

- Ces deux parties doivent être nettoyées au moins une fois par mois ou selon les besoins liés à l'utilisation de l'appareil.
- Pour nettoyer ces parties de l'appareil, drainez et essuyez l'excès de graisses avec une serviette en papier sèche. Trempez-les et agitez-les dans de l'eau chaude à laquelle vous aurez ajouté le détergent de votre choix.
- Ne pas utiliser de détergents à base d'ammoniaque car il noircissent le métal.
- Ne pas utiliser de produits de nettoyage pour four ou autres produits abrasifs.
- Rincez et secouez ces pièces, puis laissez-les sécher avant de les remettre à leur place.
- Vous pouvez également les passer au lave-vaisselle.

### Pour Retirer les filtres à graisses métalliques

- Éteignez les ventilateurs ainsi que les lumières.
- Poussez chacune des poignées vers l'arrière, puis tirez vers le bas. Figure 1.
- Dévissez les molettes qui retiennent les languettes de maintien des grilles d'écoulement. Figure 2.
- Tenez fermement la grille d'écoulement et soulevez-le délicatement pour le sortir de son rail. Figure 2.

Pour remettre le filtre à graisses métallique

- Inverser la procédure de démontage.

### Pour remplacer la grille d'écoulement Figure 2-3

- Placez et calez la grille d'écoulement sur son rail.
- Faites les glisser sur la gauche ou sur la droite jusqu'à ce que toutes les grilles soit côte à côte à leur place sur leur rail.
- Bloquez fermement à leur place les grilles, au moyen des molettes de verrouillage.

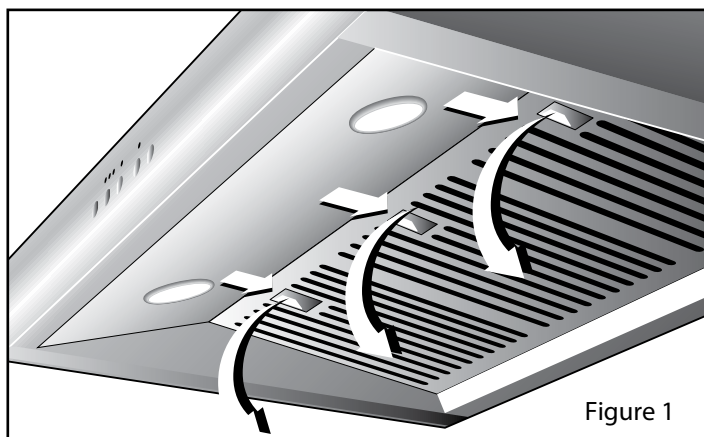


Figure 1

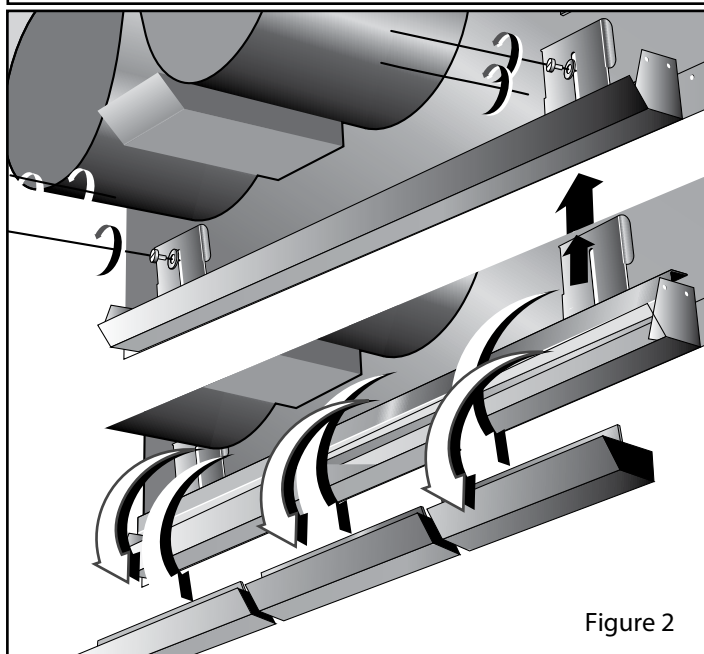


Figure 2

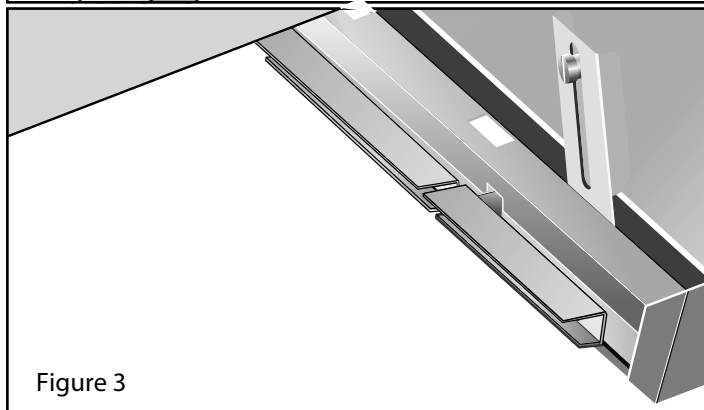


Figure 3



## LUMIÈRES

**⚠ ATTENTION : Avant de remplacer les lampes, coupez le courant au moyen du tableau de commande de afin d'éviter que le courant ne soit rétabli accidentellement.**

**Remarque : Coupez les lumières et les ventilateurs. Laissez refroidir les lampes avant de les toucher. Si les nouvelles lampes ne s'allument pas, assurez-vous qu'elles sont correctement insérées à leur place avant d'appeler le service après-vente.**

### NOTE:

Les ampoules ne sont pas fournies avec la hotte et doivent donc être achetées à part

### Remplacer les lampes :

**Retirez la lampe endommagée (la faire tourner en sens inverse des aiguilles d'une montre) et remplacez-la par une nouvelle lampe hallogène de 120 volts – 50 watts (maximum) à 50 degrés pour base GU10 et prévue pour une utilisation sur luminaire ouvert.**

## NETTOYAGE DE LA HOTTE

- **Utilisez toujours le détergent le plus doux possible tout en vous assurant qu'il permettra de réaliser le nettoyage de façon efficace.**
- **Frottez les finitions en acier inoxydable dans le sens du grain de la finition. Bien séchez ces zones pour ne pas laisser de tâches dues à l'eau.**
- **Après avoir procédé au nettoyage, replacer les pièces avant d'utiliser l'appareil.**

Nous vous indiquons ci-dessous certains types de produits d'entretien : nous n'en recommandons aucun en particulier.

A	Aluminium anodisé.	La partie supérieure n'est pas amovible. Lavez le dessus et le dessous avec de l'eau savonneuse. Rincez et séchez avec un chiffon ou appliquez d'abord sur éponge ou ne serviette en papier propres, des produits comme Fantastic ou Formula 409. <b>NE PAS UTILISER</b> de nettoyant en poudre ou poudreux ou des tampons en laine d'acier.
B	Filtres en aluminium fileté	Laver les filtres au lave-vaisselle ou les faire tremper et les agiter dans de l'eau savonneuse. Assurez-vous qu'il n'y ait pas de saleté coincée dans le filetage des filtres. Séchez les filtres avant de les réinstaller.
C	Surfaces plastiques.	Ne pas enlever les boutons ni languettes de fixation. Nettoyez-les à l'aide d'une éponge humide et savonneuse. Rincez et séchez
D	Surfaces en Acier inoxydable	Pour l'entretien général de ces surfaces, nettoyer l'extérieur de la hotte avec de l'eau savonneuse ou un produit d'entretien domestique tel que Fantastic ou Formula 409, bien rincer et sécher avec un chiffon propre et sec afin d'éviter des marques dues à l'eau. <b>NE PAS UTILISER</b> de nettoyant en poudre ou poudreux ou des tampons en laine d'acier.
E	Surfaces peintes.	Nettoyez et séchez l'acier inoxydable dans le sens du grain du métal. N'appuyez pas trop fort lors du nettoyage car cela pourrait marquer la surface. Pour nettoyer les traces de doigts et obtenir un brillant éclatant utilisez des produits tels que Stainless Steel Magic. Ne laissez aucun produit de nettoyage entrer en contact avec l'acier inoxydable pendant une période de temps prolongée : cela pourrait le tâcher.



## IDENTIFICACION DES PANNES

Panne	Cause possible	Que faire
Après l'installation, la hotte ne fonctionne pas	1. L'alimentation électrique n'est pas branchée	1. Assurez-vous que le coupe circuit et le courant électrique sont branchés (ON).
	2. La ligne électrique et la prise du câble d'alimentation ne sont pas correctement branchées	2. Vérifiez que le câble d'alimentation électrique soit correctement branché
	3. Le câblage entre la console de contrôle et le tableau de contrôle sont déconnectés.	3. Remplacez la console de contrôle ou le tableau de contrôle
	4. La console de contrôle ou le tableau de contrôle sont défectueux	4. Appeler au service technique
La lumière fonctionne, mais pas le moteur.	1. La lampe n'a pas été vissée correctement.	1. Le moteur fonctionnera correctement, après que le système qui est protégé par un senseur thermique, se soit refroidi.
L'appareil vibre.	1. Le moteur n'est pas bien assujetti.	1. Serrez correctement le moteur à sa place
	2. La roue du ventilateur est endommagée.	2. Appeler au service technique.
	3. La hotte n'est pas bien assujettie	3. Réviser l'installation de la hotte
Le moteur fonctionne mais pas la l'éclairage.	1. La lampe halogène défectueuse	1. Changez lampe halogène
	2. La lampe halogène défectueuse	2. Vissez la lampe à fond
La Ventilation de la hotte n'est pas correcte	<p>1. La hotte peut être trop élevée par rapport à la surface de la cuisine</p> <p>2. Les courants d'airs venant des portes et fenêtres de la maison, modifie le fonctionnement de la hotte.</p> <p>3. Il y des obstacles qui empêche l'ouverture du conduit ou qui obstruent le conduit (suivant le cas).</p> <p>4. L'orientation de l'ouverture du conduit est à contrevent.</p> <p>5. Vous utilisez la mauvaise extrémité du conduit.</p>	<p>1) Ajustez la distance entre la hotte et la surface de la cuisine de telle façon qu'elle soit comprise entre 24" et 30".</p> <p>2) Fermez portes et fenêtres de façon à éliminer les courants d'air.</p> <p>3) Retirez tout ce qui peut faire obstruction au bon fonctionnement du conduit et de ses dispositifs.</p> <p>4) Ajustez la direction de l'embouchure du conduit.</p> <p>5) Changez le conduit : installez un conduit de au moins 8".</p>
Le filtre métallique vibre	1. Le filtre métallique vibre	1. Changer le filtre métallique

## Service á la clientele

Avant d'appeler le Service Clients:

Si la hotte ne fonctionne pas :

- Assurez-vous que le câble d'alimentation électrique est correctement branché et qu'il y a du courant dans la prise.
- Assurez-vous que le bouton de contrôle de vitesse ne se trouve pas sur OFF

# ÉNONCÉ DE GARANTIE LIMITÉE DU PRODUIT

## Couverture de la garantie et à qui elle s'applique

La garantie limitée fournie par BSH Home Appliances Thermador dans le présent énoncé de garantie limitée du produit s'applique seulement à l'appareil Thermador qui vous est vendu, le premier acheteur à l'utiliser, à la condition que le produit ait été acheté :

- pour votre usage domestique (non commercial) normal et qu'il ait effectivement, en tout temps, été utilisé à des fins domestiques normales ;
- à l'état neuf au détail (et non comme un modèle d'exposition "en l'état", ou modèle préalablement retourné), et non pour la revente ou l'utilisation commerciale ;
- aux États-Unis ou au Canada, et qu'il soit en tout temps demeuré dans le pays de l'achat d'origine.

Les garanties énoncées aux présentes s'appliquent seulement au premier acheteur du produit et ne sont pas cessibles.

S'assurer de retourner la carte d'enregistrement ; quoique non nécessaire pour que la couverture de la garantie prenne effet, elle constitue le meilleur moyen pour Thermador de vous prévenir dans l'éventualité improbable d'un avis de sécurité ou d'un rappel de produit.

## Durée de la garantie

Thermador garantit que le produit est exempt de défaut de matière ou de fabrication pendant une période de douze (12) mois à compter de la date d'achat. Cette période commence à courir à partir de la date d'achat et ne sera pas retardée, restreinte, prolongée ni suspendue pour quelque raison que ce soit.

## La réparation ou le remplacement du produit comme recours exclusif

Pendant cette période de garantie, Thermador ou l'un de ses prestataires de services agréés réparera le produit sans frais de votre part (sous réserve de certaines limitations énoncées aux présentes) s'il s'avère que la fabrication de votre produit présente un défaut de matière ou de fabrication. Si des tentatives raisonnables de réparation du produit ont été faites sans succès, alors Thermador remplacera le produit (des modèles mis à niveau peuvent être mis à votre disposition), à la seule discrétion de Thermador, moyennant des frais supplémentaires). Tout composant ou pièce enlevés deviennent la propriété de Thermador, à sa seule option. Toute pièce remplacée et/ou réparée doit assumer l'identité

de la pièce d'origine aux fins de la présente garantie, et cette dernière ne sera pas prolongée au regard de ces pièces. La seule obligation et responsabilité de Thermador en vertu des présentes est de réparer seulement le produit présentant un défaut de fabrication, par l'entremise d'un prestataire de services agréé Thermador aux heures normales de travail. Pour des questions de sécurité et de dommages à la propriété, Thermador recommande vivement de ne pas tenter de réparer soi-même le produit, ni d'utiliser un service de réparation non autorisé. Thermador décline toute responsabilité pour les réparations ou le travail effectués par un service de réparation non autorisé. Si vous choisissez de faire réparer le produit par une personne autre qu'un prestataire de services agréé, CETTE GARANTIE DEVIENDRA AUTOMATIQUEMENT NULLE ET NON AVENUE. Les prestataires de services agréés sont des personnes ou des compagnies qui ont été spécialement formées pour les produits Thermador et qui possèdent, de l'avis de Thermador, une excellente réputation pour le service à la clientèle et des aptitudes techniques (il est à noter qu'il s'agit d'entités indépendantes et non des agents, partenaires, affiliés ou représentants de Thermador). Néanmoins, Thermador n'assumera aucune responsabilité ou obligation à l'égard du produit s'il est situé dans une région éloignée (plus de 100 miles (160,9 km) d'un prestataire de services agréé) ou s'il est raisonnablement inaccessible ou à un endroit, dans une zone ou dans un environnement dangereux, menaçants ou hasardeux ; dans un tel cas, si vous en faites la demande, Thermador pourrait payer les frais de main-d'œuvre et de pièce et expédier les pièces au prestataire de service agréé le plus proche, mais vous seriez quant même entièrement responsable pour tout déplacement ou autres frais spéciaux requis par le service de réparation, à supposer qu'il accepte d'effectuer un appel de service.

## Produit hors garantie

Thermador n'est nullement tenu, en droit ou autrement, de vous offrir toute concession, y compris réparations, tarifs proportionnels ou remplacement de produit, une fois la garantie expirée.

## Exclusions de la garantie

La couverture de garantie décrite aux présentes exclut tout défaut ou dommage qui n'est pas une faute directe de Thermador, y compris sans limitation, un ou plusieurs des cas suivants :

- utilisation du produit d'une façon autre que normale, habituelle et prévue (y compris, sans limitation, toute forme d'utilisation commerciale, utilisation ou rangement d'un produit pour l'intérieur à l'extérieur, utilisation du produit avec des aéronefs ou bateaux quels qu'ils soient) ;
- mauvaise conduite volontaire de toute partie, conduite négligente, mauvaise utilisation, abus, accidents,

négligence, exploitation irrégulière, manquement à l'entretien, installation inadéquate ou négligée, altération, manquement à observer les instructions de fonctionnement, manipulation sans précaution, service non autorisé (y compris le "bricolage" fait soi-même ou l'exploration du fonctionnement interne de l'appareil) ;

- réglage, altération ou modification de toute sorte ;
- manquement à se conformer à tous les codes électriques, de plomberie et/ou de construction de l'état, locaux, municipaux ou du comté, règlements ou lois en vigueur, y compris le manquement à installer le produit strictement en conformité avec les codes et règlements d'incendie et de construction locaux ;
- usure et détérioration normales, déversements d'aliments, liquides, accumulation de graisse, ou autres substances accumulées sur, dans ou autour du produit
- et toute force et facteur externes, élémentaires et/ou environnementaux, y compris sans limitation, pluie, vent, sable, inondation, incendie, glissement de terrain, gel, humidité excessive ou exposition prolongée à l'humidité, foudre, surtension, défauts de structure environnante de l'appareil, et catastrophes naturelles.

En aucun cas Thermador n'assumera la moindre responsabilité pour des dommages survenus à la propriété environnante, y compris armoires, planchers, plafonds et autres structures ou objets autour du produit. Également exclus de la garantie sont les égratignures, éraflures, encoches mineures et dommages esthétiques sur les surfaces externes et les pièces exposées ; les produits dont les numéros de série ont été modifiés, effacés ou enlevés ; les visites de service pour montrer au client comment utiliser le produit ou les visites alors que le produit ne présente aucun problème ; la correction de problèmes d'installation (vous êtes entièrement responsable de toute structure et réglage du produit, y compris électricité, plomberie ou autres services utilitaires, pour un plancher/fondation appropriés et pour toute modification y compris, sans limitation, armoires, murs,

planchers, étagères, etc.) ; et remise en fonction des coupe-circuits ou fusibles.

DANS LA MESURE OU LA LOI LE PERMET, LA PRÉSENTE GARANTIE ÉNONCE VOS RECOURS EXCLUSIFS À L'ÉGARD DU PRODUIT, QUE LA RÉCLAMATION SOIT DE NATURE CONTRACTUELLE OU DÉLICTELLE (Y COMPRIS LA RESPONSABILITÉ ABSOLUE OU LA NÉGLIGENCE) OU AUTRE. LA PRÉSENTE GARANTIE REMPLACE TOUTES LES AUTRES GARANTIES, EXPRESSES OU IMPLICITES. TOUTE GARANTIE IMPLICITE EN VERTU DE LA LOI, QUE CE SOIT À DES FINS DE QUALITÉ MARCHANDE OU D'ADAPTATION À UN BUT PARTICULIER, OU AUTREMENT, EST EN VIGUEUR UNIQUEMENT PENDANT LA PÉRIODE AU COURS DE LAQUELLE LA PRÉSENTE GARANTIE LIMITÉE EXPRESSE EST EN VIGUEUR. LE FABRICANT NE SERA EN AUCUN CAS RESPONSABLE DES DOMMAGES, PERTES OU FRAIS CONSÉCUTIFS, PARTICULIERS, ACCESSOIRES, INDIRECTS, ET/OU PUNITIFS, DES PERTES COMMERCIALES, Y COMPRIS, NOTAMMENT, LE TEMPS D'ABSENCE AU TRAVAIL, L'HÉBERGEMENT ET/OU LES REPAS AU RESTAURANT, LES FRAIS DE REMANIEMENT EN EXCÉDENT DES DOMMAGES DIRECTS QUI SONT MANIFESTEMENT CAUSÉS EXCLUSIVEMENT PAR THERMADOR OU AUTREMENT. CERTAINS ÉTATS NE PERMETTENT PAS L'EXCLUSION OU LA LIMITATION DES DOMMAGES ACCESSOIRES OU INDIRECTS ET CERTAINS ÉTATS NE PERMETTENT PAS LA LIMITATION SUR LA DURÉE D'UNE GARANTIE IMPLICITE, DE SORTE QUE LES LIMITATIONS CI-DESSUS PEUVENT NE PAS S'APPLIQUER À VOTRE CAS. LA PRÉSENTE GARANTIE VOUS DONNE DES DROITS JURIDIQUES SPÉCIFIQUES ET VOUS POUVEZ AVOIR ÉGALEMENT D'AUTRES DROITS QUI VARIENT D'UN ÉTAT À L'AUTRE.

Aucune tentative d'altérer, de modifier ou d'amender la présente garantie ne peut être effective à moins d'une autorisation écrite par un représentant de BSH.

### **Comment obtenir un service au titre de la garantie:**

Pour obtenir un service au titre de la garantie pour votre produit, vous devriez communiquer avec le centre de service après-vente agréé le plus proche de la Société.

BSH Home Appliances - 5551 McFadden Avenue, Huntington Beach, Californie 92649 / 1 800-735 - 4328

négligence, exploitation irrégulière, manquement à l'entretien, installation inadéquate ou négligée, altération, manquement à observer les instructions de fonctionnement, manipulation sans précaution, service non autorisé (y compris le "bricolage" fait soi-même ou l'exploration du fonctionnement interne de l'appareil) ;

- réglage, altération ou modification de toute sorte ;
- manquement à se conformer à tous les codes électriques, de plomberie et/ou de construction de l'état, locaux, municipaux ou du comté, règlements ou lois en vigueur, y compris le manquement à installer le produit strictement en conformité avec les codes et règlements d'incendie et de construction locaux ;
- usure et détérioration normales, déversements d'aliments, liquides, accumulation de graisse, ou autres substances accumulées sur, dans ou autour du produit
- et toute force et facteur externes, élémentaires et/ou environnementaux, y compris sans limitation, pluie, vent, sable, inondation, incendie, glissement de terrain, gel, humidité excessive ou exposition prolongée à l'humidité, foudre, surtension, défauts de structure environnante de l'appareil, et catastrophes naturelles.

En aucun cas Thermador n'assumera la moindre responsabilité pour des dommages survenus à la propriété environnante, y compris armoires, planchers, plafonds et autres structures ou objets autour du produit. Également exclus de la garantie sont les égratignures, éraflures, encoches mineures et dommages esthétiques sur les surfaces externes et les pièces exposées ; les produits dont les numéros de série ont été modifiés, effacés ou enlevés ; les visites de service pour montrer au client comment utiliser le produit ou les visites alors que le produit ne présente aucun problème ; la correction de problèmes d'installation (vous êtes entièrement responsable de toute structure et réglage du produit, y compris électricité, plomberie ou autres services utilitaires, pour un plancher/fondation appropriés et pour toute modification y compris, sans limitation, armoires, murs,

planchers, étagères, etc.) ; et remise en fonction des coupe-circuits ou fusibles.

DANS LA MESURE OU LA LOI LE PERMET, LA PRÉSENTE GARANTIE ÉNONCE VOS RECOURS EXCLUSIFS À L'ÉGARD DU PRODUIT, QUE LA RÉCLAMATION SOIT DE NATURE CONTRACTUELLE OU DÉLICTELLE (Y COMPRIS LA RESPONSABILITÉ ABSOLUE OU LA NÉGLIGENCE) OU AUTRE. LA PRÉSENTE GARANTIE REMPLACE TOUTES LES AUTRES GARANTIES, EXPRESSES OU IMPLICITES. TOUTE GARANTIE IMPLICITE EN VERTU DE LA LOI, QUE CE SOIT À DES FINS DE QUALITÉ MARCHANDE OU D'ADAPTATION À UN BUT PARTICULIER, OU AUTREMENT, EST EN VIGUEUR UNIQUEMENT PENDANT LA PÉRIODE AU COURS DE LAQUELLE LA PRÉSENTE GARANTIE LIMITÉE EXPRESSE EST EN VIGUEUR. LE FABRICANT NE SERA EN AUCUN CAS RESPONSABLE DES DOMMAGES, PERTES OU FRAIS CONSÉCUTIFS, PARTICULIERS, ACCESSOIRES, INDIRECTS, ET/OU PUNITIFS, DES PERTES COMMERCIALES, Y COMPRIS, NOTAMMENT, LE TEMPS D'ABSENCE AU TRAVAIL, L'HÉBERGEMENT ET/OU LES REPAS AU RESTAURANT, LES FRAIS DE REMANIEMENT EN EXCÉDENT DES DOMMAGES DIRECTS QUI SONT MANIFESTEMENT CAUSÉS EXCLUSIVEMENT PAR THERMADOR OU AUTREMENT. CERTAINS ÉTATS NE PERMETTENT PAS L'EXCLUSION OU LA LIMITATION DES DOMMAGES ACCESSOIRES OU INDIRECTS ET CERTAINS ÉTATS NE PERMETTENT PAS LA LIMITATION SUR LA DURÉE D'UNE GARANTIE IMPLICITE, DE SORTE QUE LES LIMITATIONS CI-DESSUS PEUVENT NE PAS S'APPLIQUER À VOTRE CAS. LA PRÉSENTE GARANTIE VOUS DONNE DES DROITS JURIDIQUES SPÉCIFIQUES ET VOUS POUVEZ AVOIR ÉGALEMENT D'AUTRES DROITS QUI VARIENT D'UN ÉTAT À L'AUTRE.

Aucune tentative d'altérer, de modifier ou d'amender la présente garantie ne peut être effective à moins d'une autorisation écrite par un représentant de BSH.

### **Comment obtenir un service au titre de la garantie:**

Pour obtenir un service au titre de la garantie pour votre produit, vous devriez communiquer avec le centre de service après-vente agréé le plus proche de la Société.

BSH Home Appliances - 5551 McFadden Avenue, Huntington Beach, Californie 92649 / 1 800-735 - 4328



# INSTRUCCIONES IMPORTANTES DE SEGURIDAD

Lea todas las instrucciones antes de utilizar el electrodoméstico.  
LEA Y GUARDE ESTAS INSTRUCCIONES

## **ADVERTENCIA PARA REDUCIR EL RIEGO DE FUEGO POR GRASA.**

a) Nunca deje unidades en la superficie sin supervisión a alta temperatura. Los utensilios pueden causar derrames de grasa y humo que pueden incendiarse. Caliente el aceite lentamente a temperatura baja o media.

b) Siempre encienda la CAMPANA cuando cocine a fuego alto o cuando flamee alimentos (ej. Crepas Suzette, Cerezas Jubilee, Carne flameada).

c) Limpie los abanicos de ventilación frecuentemente. No permita que la grasa se acumule en el ventilador o en el filtro.

d) Utilice sartenes de tamaño adecuado. Siempre utilice cazuelas apropiadas al tamaño de la superficie.

## **PRECAUCION: PARA REDUCIR EL RIESGO DE DAÑOS A PERSONAS, EN CASO DE FUEGO POR GRASA, OBSERVE LO SIGUIENTE:**

a) ELIMINE LAS FLAMAS con una tapadera u otro artefacto de metal, después apague la parrilla eléctrica o de gas. **TENGA CUIDADO DE PREVENIR QUEMADURAS.** Si las flamas no desaparecen inmediatamente, **EVACUE Y LLAME AL DEPARTAMENTO DE BOMBEROS.**

b) **NUNCA LEVANTE UNA CAZUELA EN LLAMAS**-Se puede quemar.

c) **NO UTILICE AGUA**, ni trapos o toallas húmedas – se puede presentar una explosión violenta de vapor.

d) Utilice un extinguidor **SOLAMENTE** si:

1) Usted sabe que posee un extinguidor clase ABC, y ya sabe cómo operarlo.

2) El fuego es pequeño y contenido en el área donde comenzó

3) Se llama al departamento de bomberos.

4) Puedes controlar el fuego de espalda a una salida.

## **PARA USO DE VENTILACIÓN GENERAL EN COCINA RESIDENCIAL SOLAMENTE. PARA EVITAR UN INCENDIO O RIESGO DE EXPLOSIÓN NO UTILICE MATERIALES EXPLOSIVOS O VAPOR.**

### **Para uso interior solamente.**

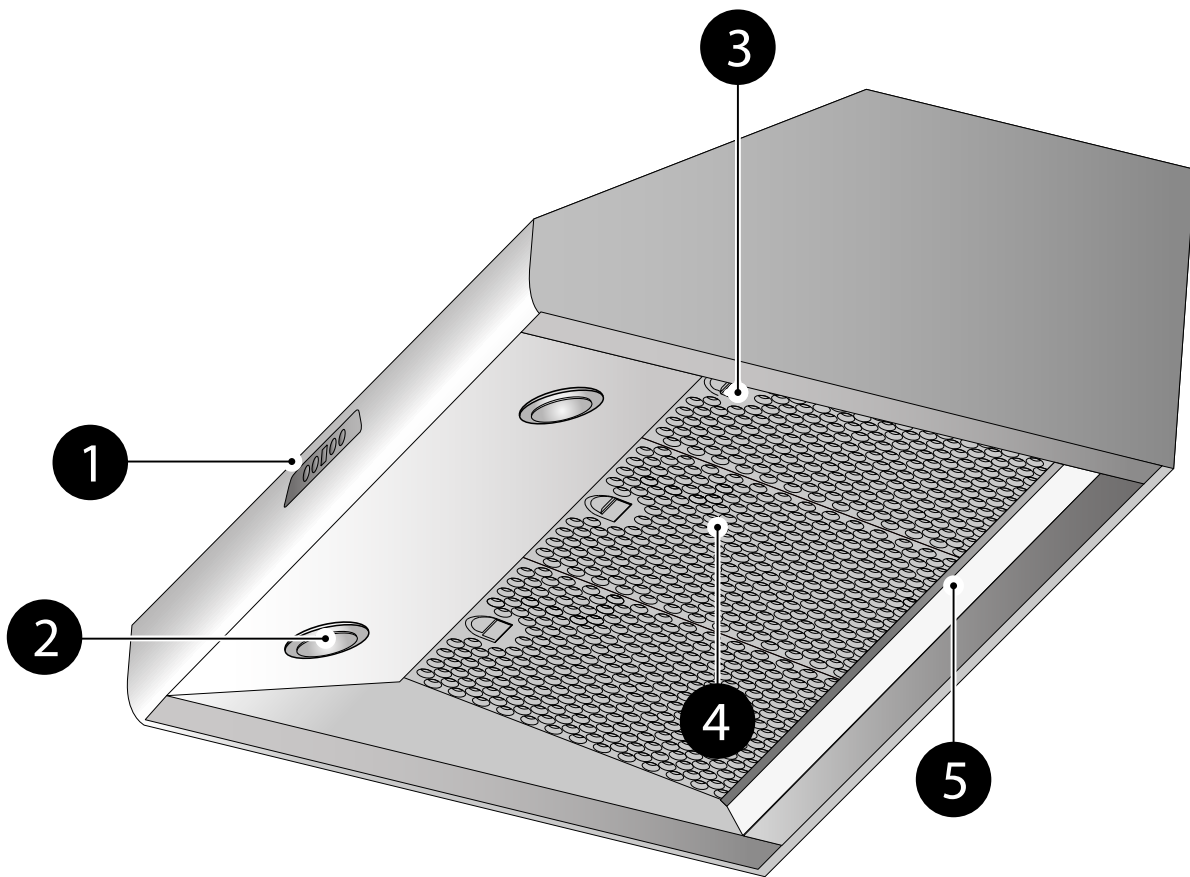
**Nota:** El electrodoméstico referido en este manual es fabricado por BSH Home Appliances Corporation. Cuando los niños sean lo suficientemente grandes para utilizar el electrodoméstico, es responsabilidad legal de los padres o tutores asegurarse que tienen las instrucciones para prácticas seguras por personas calificadas.

**ADVERTENCIA:** Siempre que sea posible, no opere el extractor durante un incendio. De cualquier manera, **NO TRATE DE APAGAR EL EXTRACTOR A TRAVES DEL FUEGO.**

## **TABLA DE CONTENIDOS**

Instrucciones importantes de seguridad	20
Características	21
Panel de control	22
Cuidado y limpieza	23-24
Localización de fallas	25
Servicio al consumidor	26
Garantía	27-28

## CARACTERISTICAS



1. Control de luces y extractor.
2. Nichos de lámparas de Halógeno.



NOTA!

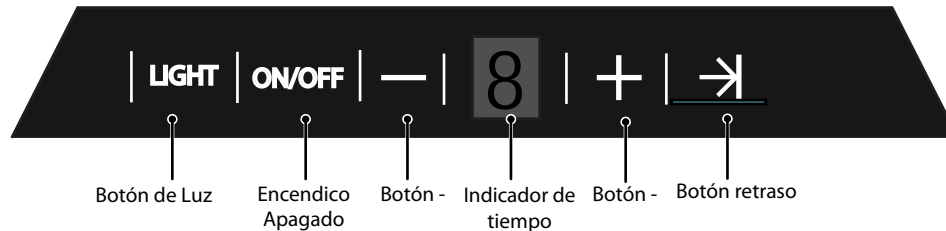
Las lámparas no se proveen. Utilice SOLAMENTE luces de halógeno de 120 Volt, 50 Watt (máximo) 50° o una base GU10, adecuada para uso en iluminación abierta.

4. Filtros de grasa
5. Bandejas de goteo

Nota: Los filtros de grasa y bandejas de goteo no están instaladas, véase la sección relativa para su instalación.



## PANEL DE CONTROL



### ENCENDIDO/APAGADO:

Presionar el botón "ON/OFF" una vez enciende el ventilador. La campana se encenderá en nivel 2.

### BOTÓN +; BOTÓN-

Presionar el botón una vez de un estado apagado, enciende el extractor en velocidad baja. Cada presión sucesiva incrementa la velocidad del abanico hasta velocidad alta, donde el ciclo se regresa a velocidad baja. Los LEDs sobre este botón indican la velocidad actual del abanico. Cuando el extractor está encendido, el LED correspondiente se ilumina.

### FILTRO DE CARBÓN:

Esta opción de "filtro de carbón" es útil cuando la campana es instalada en modo filtrar. La campana es configurada de fábrica en modo ducto. Si se desea instalar la campana en modo filtrar, se requiere comprar el accesorio de filtración que incluye el deflector de aire y los filtros de carbón. Para activar un nuevo filtro de carbón se requiere mantener presionados los botones "-" y "+" simultáneamente por tres segundos. Se activa el filtro de carbón, una "C" aparecerá en el lector y sonará un "beep". Para desactivar la opción de filtro de carbón, se requiere el mismo procedimiento; también aparecerá una "C" y sonará un "beep" cuando sea desactivado.

Después de 240 hrs. de funcionamiento del ventilador, los filtros de carbón deben ser removidos. Una "C" se desplegará (fig. a) indicando saturación del filtro de carbón, y el filtro necesitará ser cambiado. Para apagar la alarma de saturación del filtro de carbón, presione y sostenga el botón "enc/apag" por tres segundos.

### FILTRO DE GRASA:

Después de 40 hrs. de operación los filtros de grasa necesitan ser limpiados. Tres barras horizontales aparecerán en el lector cuando el motor se apague. Después de limpiar, reinicie el reloj, presionando el botón "-" por tres segundos, la barra horizontal desaparecerá (fig. b).

### BOTÓN DE LUZ:

Este botón controla la luz de halógeno. La primera presión enciende las luces. La segunda las apaga.

### RETRASO:

El motor se enciende en nivel 1 y después de 10 minutos se apaga. Si se presiona nuevamente el botón de retraso, el motor se apaga. Si se toca el botón "+" durante el conteo regresivo, se cancela la opción de retraso y el motor se queda en la 2ª velocidad. Si el botón "-" se toca durante el conteo regresivo, se cancela la opción de retraso y el motor se apaga.



fig. a

Filtro de carbón: Indicador de tiempo.



fig. b

Filtro de grasa: Indicador de tiempo.

### PARA MEJORES RESULTADOS

- El uso continuo del sistema de ventilación mientras cocina ayuda a mantener la cocina confortable y menos húmeda.
- También reduce los olores al cocinar y los residuos cremosos que crean una necesidad frecuente de limpieza.
- Encienda el extractor antes de empezar a cocinar.
- Utilice una parrilla trasera cuando caramelize o fría carne.
- Abra una ventana o puerta interior ligeramente.
- Limpie los filtros y la pared detrás frecuentemente.
- El extractor se debe encender unos minutos antes de cocinar para establecer Corrientes de aire hacia la campana. De esta forma, cuando el calor, humo o grasa se produzcan serán acarreados hacia afuera en vez de irse a otros cuartos.

### NOTA:

Siempre encienda la campana cuando esté usando mas de dos parrilas de su estufa o cuando esté asando.

Utilice velocidad baja para uso normal y temperatura alta para olores fuertes.

- Derrames a lo largo de la superficie de cocina causará que se escape calor, humo y grasa así como olores de cocina de la campana. Tales derrames se deben prevenir tanto como sea posible.
- El mejor trabajo de ventilación en la cocina se hace cuando las corrientes de aire son creadas por el propio extractor.
- Para cocinas de Gas, se deberá usar velocidad baja de extracción si:
  - Se distorsiona la flama por las corrientes de aire.
  - La parrilla continuamente chispea (clicks)
  - La flama se apaga continuamente.

## CUIDADO Y LIMPIEZA

La eficiencia del sistema de extracción depende de la limpieza de los filtros.

La frecuencia de limpieza depende de la cantidad y tipo de comida a cocinar.

• No utilice el sistema de ventilación sin tener los filtros en su lugar o con superficies o filtros grasosos.



**PRECAUCION:** Para evitar riesgo de incendio y explosión no utilice líquidos o solventes inflamables. Siempre conecte o desconecte el electrodoméstico de la energía para darle mantenimiento.

**PRECAUCIÓN:** Asegúrese de que la campana complete (incluyendo filtros y luces) se ha enfriado y la grasa se ha solidificado antes de tratar de limpiar cualquier parte de la unidad.

### Estas campanas tienen filtros de grasa de metal reusables y bandejas de goteo.

Los filtros de metal también ayudan a prevenir que los alimentos se incendien en la parte alta de la estufa debido a daño en la parte interna de la campana.

### Por esta razón, los filtros de metal deben SIEMPRE estar en su lugar cuando se utilice la campana.

• Los filtros de metal y las bandejas de goteo deben ser limpiadas una vez al mes, o cuando sea necesario.

• Para limpiar los filtros de metal y las bandejas de goteo, drene y elimine todo el exceso de grasa con una toalla de papel seco. Remójelos y muévalos vigorosamente en agua caliente y detergente. No utilice amoníaco o productos que lo contengan porque pueden oscurecer el metal.

• No utilice limpiadores abrasivos o para el horno. Enjuague, sacuda y déjelos secar antes de reemplazarlos.

Estos componentes pueden ser limpiados en lavavajillas

Para remover la grasa en los filtros de metal y bandejas de goteo.

• Apague el abanico y las luces.

• Presione cada manija hacia atrás y jale hacia abajo.

Figura 1

• Desatornille los botones que sujetan a las bandejas.

Figura 2

• Sujete la bandeja de goteo y cuidadosamente levántela hacia arriba y afuera de la campana.

Figura 2.

Para reducir la grasa en el metal :

• Procedimiento anterior.

Para reemplazar las bandejas de goteo:

Figura 2-3

1. Coloque las bandejas de goteo en la campana.

2. Deslícelas a la izquierda o a la derecha hasta que todas estén lado con lado en su lugar.

3. Asegúrelas firmemente en su lugar con los sujetadores.

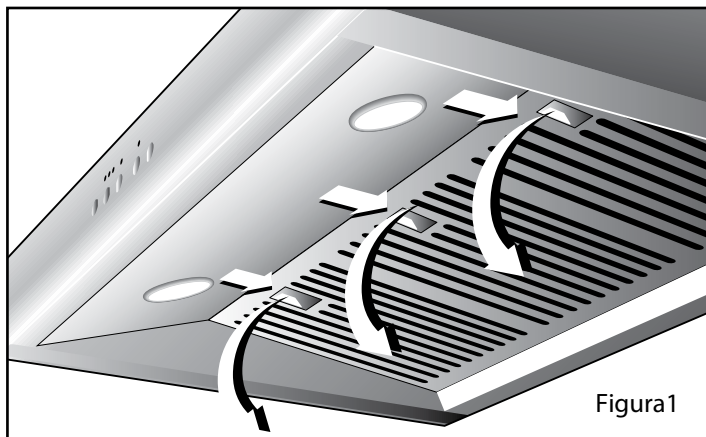


Figura1

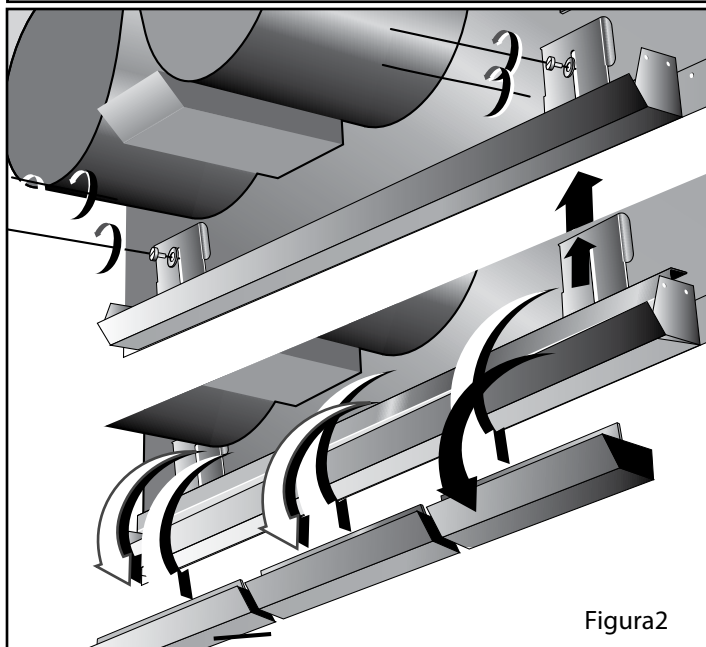


Figura2

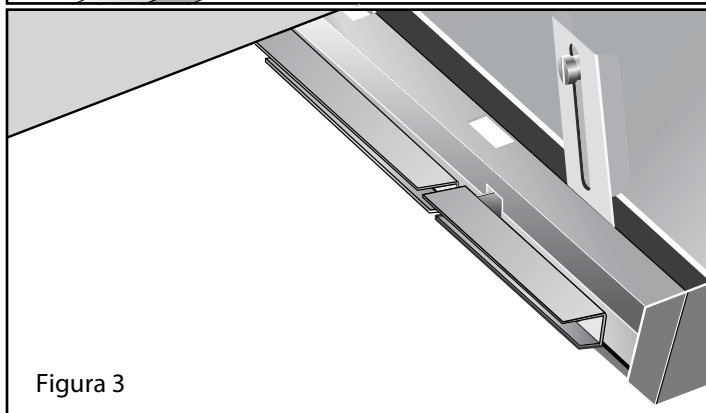


Figura 3

## LUCES



**PRECAUCION:** Antes de reemplazar las lámparas, apague la corriente en el panel de servicio y asegure el panel de servicio para prevenir que sea encendido accidentalmente.

**NOTA:** Apague las luces y el motor. Permita que las luces se enfríen antes de manipularlas. Si las nuevas luces no operan asegúrese de que las luces estén insertadas correctamente antes de llamar al servicio.

**Nota:** La lámparas no vienen incluidas, deben ser compradas aparte.

### Reemplazar las luces

• Quite la lámpara dañada (gire en sentido contrario de las manecillas del reloj) y reemplace con una nueva de halógeno de 120 Volt, 50 Watt (máximo) 50° hecha para una base de GU10, adecuada para usar en iluminación abierta.

## LIMPIANDO LA CAMPANA

- Siempre use el limpiador más suave. Utilice un trapo suave, esponjas o toallas de papel limpios.
- Talle las terminaciones de acero inoxidable en dirección del acabado. Limpie el área para evitar marcas de agua.
- Después de limpiar, coloque las partes en su lugar correcto antes de usarlas.

Los limpiadores recomendados abajo indican un tipo y no constituyen una obligación de compra. Use todos los productos de acuerdo a las instrucciones del paquete.

Tabla de limpieza y cuidado

A	Superficies de aluminio anodizado	La tapa de arriba no es removible. Lave la tapa y la parte de abajo con agua caliente. Enjuague y limpie con Fantastic® o Formula 409® primero con una esponja limpia o toalla de papel. <b>NO UTILICE</b> limpiadores en polvo o fibras de acero.
B	Filtro de malla de aluminio	Limpie los filtros en la lavadora de platos o mediante agitarlos en agua jabonosa. Asegúrese de que no haya residuos atrapados en la fina malla. Seque los filtros antes de reinstalarlos.
C	Superficies de plástico	<b>NO REMUEVA</b> los botones. Limpie con una esponja jabonosa. Enjuague y seque.
D	Superficies pintadas	Para cuidado general, limpie la parte exterior de la campana con agua jabonosa o limpiadores caseros como Fantastic o Formula 409, enjuague bien y seque con un paño suave seco para evitar marcas de agua. <b>NO UTILICE</b> limpiadores en polvo ni fibras de acero.
E	Superficies de acero inoxidable	Limpie y seque el acero inoxidable en la misma dirección que el grano. Evite usar mucha presión, que pueda marcar la superficie. Para remover las huellas de los dedos, utilice limpiadores tales como Stainless Steel Magic. No permita que ningún componente de limpieza permanezca en contacto con el acero por períodos largos de tiempo.

## LOCALIZACIÓN DE FALLAS

Tema	Causa	Que hacer
¿Después de la instalación la unidad no funciona?	1. La fuente de alimentación no está encendida (ON).	1. Asegúrese de que el cortocircuito y la corriente eléctrica estén encendidos (ON).
	2. La línea eléctrica y el enganche del cable, no están conectados adecuadamente.	2. Controle que la alimentación con la unidad, esté conectada adecuadamente..
	3. El cableado entre la consola de control o cuadro de control están desconectados.	3. Asegúrese de que el cableado entre la consola de control o cuadro de control estén conectados adecuadamente.
	4. La consola de control o el cuadro de control están defectuosos.	4. Llame al servicio técnico.
Las luz funciona, pero el motor no.	1. El sistema térmicamente protegido, detecta si el motor está demasiado caliente para funcionar y lo apaga.	1. El motor funcionará apropiadamente después de que el sistema térmicamente protegido se enfríe.
La unidad vibra.	1. El motor no está firme en su lugar.	1. Ajuste el motor en su lugar.
	2. Rueda del ventilador dañada.	2. Llame al servicio técnico.
	3. La campana no está firme en su lugar.	3. Verifique la instalación de la campana.
El motor funciona, pero las luces no.	1. Bombilla de halógeno defectuosa. 2. La bombilla de halógeno está floja.	1. Cambie la bombilla halógeno. 2. Apriete la bombilla de halógeno.
La ventilación de la campana no es la apropiada.	1. La campana podría colgar demasiado alto desde la superficie de cocina. 2. El viento desde las ventanas o puertas abiertas, en el entorno , influyen en la ventilación de la campana. 3. Obstáculos que obstruyen la abertura del conducto o el conducto. 4. La dirección de la abertura del conducto es contra del viento. 5. Se está usando el lado equivocado del conducto	1. Ajuste la distancia entre la superficie de cocina y la parte inferior de la campana entre 30" y 36". 2. Cierre todas las ventanas y puertas para eliminar el flujo de viento exterior. 3. Quite todo lo que pueda obstruir el conducto o la abertura del conducto. 4. Ajuste la dirección de abertura del conducto. 5. Cambie el conducto por lo menos de 8" o más.
El filtro de metal vibra.	1. El filtro de metal está flojo.	1. Asegure apropiadamente el filtro a la bandeja de grasa.

## SERVICIO AL CLIENTE

Antes de llamar al servicio.

Si el extractor no funciona:

- Asegúrese que el cordón eléctrico está conectado apropiadamente y que el circuito tiene corriente.
- Asegúrese que los indicadores de velocidad del extractor no están en OFF .

# DECLARACIÓN DE GARANTÍA LIMITADA DEL PRODUCTO

## Cobertura de esta garantía y a quiénes se aplica

La garantía limitada otorgada por BSH Home Appliances Thermador en esta Declaración de Garantía Limitada del Producto se aplica únicamente al electrodoméstico Thermador vendido a usted, el primer comprador usuario, siempre que el Producto haya sido comprado:

- Para uso doméstico (no comercial) normal y haya sido utilizado en todo momento únicamente para fines domésticos normales.
- Nuevo en una tienda minorista (que no sea un producto de exhibición, ni un producto vendido "en las condiciones en que se encuentra" ni un modelo devuelto anteriormente) y no esté destinado para reventa ni uso comercial.
- Dentro de los Estados Unidos o Canadá, y permanezca en todo momento dentro del país de compra original.

Las garantías incluidas en el presente se aplican únicamente al primer comprador del Producto y no son transferibles.

Asegúrese de devolver su tarjeta de registro; si bien no es necesario para hacer efectiva la cobertura de la garantía, es la mejor manera para que Thermador le notifique en el caso poco probable de que se emita un aviso de seguridad o se retire del mercado un producto.

## Duración de la garantía

Thermador garantiza que el Producto estará libre de defectos en los materiales y en la mano de obra por un período de doce (12) meses a partir de la fecha de compra. El período precedente comienza a regir a partir de la fecha de compra y no se interrumpirá, dejará sin efecto, extenderá ni suspenderá por ningún motivo.

## Reparación/reemplazo como único recurso

Durante el período de esta garantía, Thermador o uno de sus proveedores de servicio técnico autorizados reparará su Producto sin cargo para usted (con sujeción a determinadas limitaciones especificadas en el presente) si se prueba que su Producto ha sido fabricado con un defecto en los materiales o en la mano de obra. Si se ha intentado de manera razonable reparar el Producto sin éxito, Thermador reemplazará su Producto (es posible que usted tenga disponibles modelos mejorados, a entera

discreción de Thermador, por un cargo adicional). Todas las piezas y los componentes extraídos serán propiedad de Thermador, a su entera discreción. Todas las piezas reemplazadas y/o reparadas se considerarán como la pieza original a los fines de esta garantía, y esta garantía no se extenderá con respecto a dichas piezas. En virtud del presente, la única y exclusiva responsabilidad y obligación de Thermador es únicamente reparar el Producto defectuoso de fábrica, a través de un proveedor de servicio técnico autorizado por Thermador durante el horario normal de oficina. Por cuestiones de seguridad y daños materiales, Thermador recomienda categóricamente que no intente reparar el Producto usted mismo ni usar un proveedor de servicio técnico no autorizado; Thermador no tendrá responsabilidad ni obligación alguna por las reparaciones o trabajos realizados por un centro de servicio técnico no autorizado. Si usted prefiere que una persona que no es un proveedor de servicio técnico autorizado trabaje en su Producto, **ESTA GARANTÍA SE ANULARÁ AUTOMÁTICAMENTE.** Los proveedores de servicio técnico autorizados son aquellas personas o compañías que han sido especialmente capacitadas para manejar los productos de Thermador y que tienen, según el criterio de Thermador, una reputación superior de servicio al cliente y capacidad técnica (debe tener en cuenta que son entidades independientes y no son agentes, socios, afiliados ni representantes de Thermador). Sin perjuicio de lo que antecede, Thermador no tendrá responsabilidad ni obligación alguna por el Producto que se encuentre en un área remota (a más de 100 millas de un proveedor de servicio técnico autorizado) o en un lugar, área circundante o entorno que no sea accesible por medios razonables o que sea peligroso, hostil o arriesgado; en cualquier caso, a su solicitud, Thermador de todas maneras pagará por la mano de obra y las piezas, y enviará las piezas al proveedor de servicio técnico autorizado más cercano, pero usted seguirá siendo totalmente responsable por el tiempo de viaje y demás cargos especiales de la compañía de servicio técnico, suponiendo que acepte hacer la visita de servicio técnico.

## Producto fuera de garantía

Thermador no tiene obligación alguna, en virtud de la ley o por otro motivo, de otorgarle ninguna concesión, incluidos reparaciones, prorrates o reemplazo del Producto, con posterioridad al vencimiento de la garantía.

## Exclusiones de la garantía

La cobertura de garantía descrita en el presente excluye todos los defectos o daños que no fueron provocados directamente por Thermador, incluidos, entre otros, alguno de los siguientes:

- Uso del Producto de maneras distintas del uso normal, habitual y previsto (incluidos, entre otros, cualquier forma de uso comercial, uso o almacenamiento en

exteriores de un producto diseñado para interiores, uso del Producto junto con aeronaves o embarcaciones).

- Conducta indebida, negligencia, uso indebido, abuso, accidentes, descuido, operación inadecuada, omisión de mantener, instalación inadecuada o negligente, adulteración, omisión de seguir las instrucciones de operación, manipulación inadecuada, servicio técnico no autorizado (incluidos "arreglos" o exploración de los mecanismos internos del electrodoméstico realizados por uno mismo) por parte de cualquier persona.
- Ajuste, alteración o modificación de cualquier tipo.
- Incumplimiento de los códigos, reglamentaciones o leyes de electricidad, plomería y/o construcción locales estatales, municipales o de condado, incluida la omisión de instalar el producto cumpliendo estrictamente con los códigos y las reglamentaciones locales de construcción y protección contra incendios.
- Desgaste habitual, derrames de alimentos, líquidos, acumulaciones de grasa u otras sustancias que se acumulen sobre el Producto, dentro o alrededor de este.
- Y cualquier fuerza y factor externo, elemental y/o ambiental, incluidos, entre otros, lluvia, viento, arena, inundaciones, incendios, aludes de lodo, temperaturas bajas extremas, humedad excesiva o exposición prolongada a la humedad, rayos, sobrecargas eléctricas, fallas estructurales alrededor del electrodoméstico y caso fortuito.

En ningún caso, Thermador tendrá responsabilidad ni obligación alguna por los daños ocasionados a los bienes circundantes, incluidos los gabinetes, pisos, techos y demás estructuras u objetos que se encuentren alrededor del producto. También se excluyen de esta garantía las rayas, hendiduras, abolladuras menores y daños estéticos en superficies externas y piezas expuestas; productos en los cuales los números de serie hayan sido alterados, modificados o eliminados; visitas del servicio técnico para enseñarle a usar el Producto o visitas en las que se determine que no hay ningún problema con el Producto; corrección de los problemas de instalación (usted es el único responsable de cualquier estructura y soporte del Producto, incluidas todas las instalaciones de electricidad y

plomería o demás instalaciones de conexión, de la correcta instalación en bases/pisos y de cualquier alteración, incluidos, entre otros, gabinetes, paredes, pisos, repisas, etc.); y el restablecimiento de disyuntores o fusibles.

EN LA MEDIDA PERMITIDA POR LA LEY, ESTA GARANTÍA ESTABLECE SUS RECURSOS EXCLUSIVOS CON RESPECTO AL PRODUCTO, INDEPENDIENTEMENTE DE QUE LA RECLAMACIÓN SEA CONTRACTUAL O EXTRA CONTRACTUAL (INCLUIDA LA RESPONSABILIDAD OBJETIVA O LA NEGLIGENCIA), O DE CUALQUIER OTRO MODO. ESTA GARANTÍA REEMPLAZA TODAS LAS DEMÁS GARANTÍAS EXPRESAS O IMPLÍCITAS. LAS GARANTÍAS IMPLÍCITAS POR LEY, YA SEA DE COMERCIABILIDAD O APTITUD PARA UN FIN ESPECÍFICO, O DE CUALQUIER OTRO TIPO, TENDRÁN VIGENCIA ÚNICAMENTE POR EL PERÍODO DE VIGENCIA DE LA PRESENTE GARANTÍA LIMITADA EXPRESA. EN NINGÚN CASO, EL FABRICANTE SERÁ RESPONSABLE POR LOS DAÑOS CONSECUENTES, ESPECIALES, INCIDENTALES, INDIRECTOS, POR "PÉRDIDAS COMERCIALES" Y/O DAÑOS PUNITIVOS, PÉRDIDAS O GASTOS, INCLUIDOS, ENTRE OTROS, TIEMPO FUERA DEL TRABAJO, HOTELES Y/O COMIDAS EN RESTAURANTES, GASTOS DE REMODELACIÓN QUE SUPEREN LOS DAÑOS DIRECTOS, QUE DEFINITIVAMENTE HAYAN SIDO CAUSADOS DE MANERA EXCLUSIVA POR THERMADOR O DE OTRO MODO. ALGUNOS ESTADOS NO PERMITEN LA EXCLUSIÓN O LIMITACIÓN DE DAÑOS INCIDENTALES O CONSECUENTES, Y ALGUNOS ESTADOS NO PERMITEN LIMITACIONES CON RESPECTO AL PLAZO DE VIGENCIA DE UNA GARANTÍA IMPLÍCITA; POR LO TANTO, ES POSIBLE QUE LAS LIMITACIONES PRECEDENTES NO SE APLIQUEN A USTED. ESTA GARANTÍA LE OTORGA DERECHOS LEGALES ESPECÍFICOS, Y TAMBIÉN PUEDEN CORRESPONDERLE OTROS DERECHOS QUE PUEDEN VARIAR SEGÚN EL ESTADO.

Ningún intento de alterar, modificar o enmendar la presente garantía tendrá vigencia, a menos que fuera autorizado por escrito por un ejecutivo de BSH.

## Como Obtener el Servicio de Garantía:

Para obtener el servicio de garantía de su producto, usted debe contactar al centro de servicio autorizado THERMADOR más cercano.

BSH Home Appliances - 5551 McFadden Avenue, Huntington Beach, CA 92649 / 800-735-4328



## Free Manuals Download Website

<http://myh66.com>

<http://usermanuals.us>

<http://www.somanuals.com>

<http://www.4manuals.cc>

<http://www.manual-lib.com>

<http://www.404manual.com>

<http://www.luxmanual.com>

<http://aubethermostatmanual.com>

Golf course search by state

<http://golfingnear.com>

Email search by domain

<http://emailbydomain.com>

Auto manuals search

<http://auto.somanuals.com>

TV manuals search

<http://tv.somanuals.com>