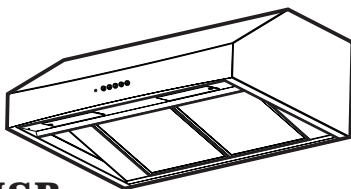


Thermador[®]

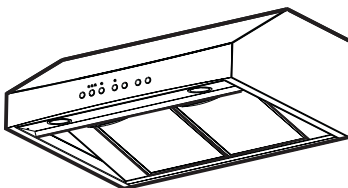
CARE AND USE FOR HS - HST - HSB WALL HOODS

(Turn Book Over for Installation
Instructions)

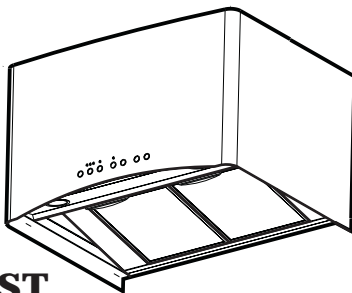
READ AND SAVE THESE INSTRUCTIONS



HSB



HS



HST



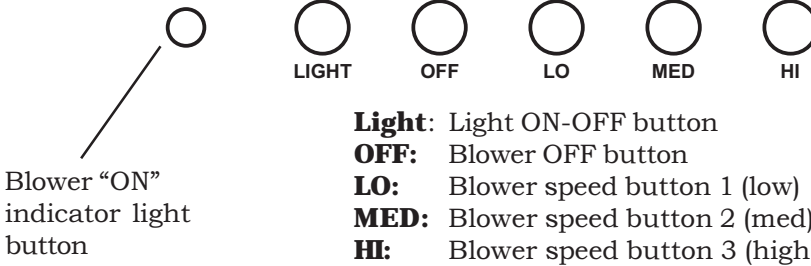
Thermador[®]

5551 McFadden Avenue, Huntington Beach, CA 92649 • 800/735-4328
• ©BSH Home Appliances Corp. 1997 • Litho in Italy 10/03

L1164A

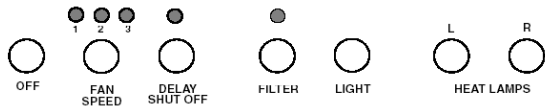
CONTROL PANEL

HSB SERIES HOODS



Blower "ON"
indicator light
button

HS SERIES HOODS



Off : Pressing button once turns blower off and resets control.

Fan Speed : Pressing button once, from an off state, turns the blower on low. Each successive press of the button increases the fan speed until high where the fan cycles back to the low speed. The LEDs above this button indicate the current fan speed. When the blower is on, the corresponding LED is illuminated.

1 - Low

2 - Medium

3 - High

Delay Shut Off : Press to turn fan on high for 15 minutes. If the blower is off when the delay button is pressed, the ventilator will turn on to the high speed setting for 15 minutes. At the end of the cycle the blower will turn off.

If the blower is on when the delay button is pressed, the blower runs for 15 minutes at the current speed then turns off.

During a timed period, the LED above the Delay Shut Off button is illuminated.

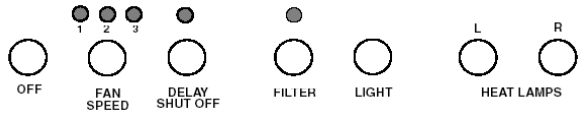
To interrupt a timed period, press Fan Speed or Off button.

Filter: After 40 hours of operation, the clean filter reminder LED above this button will illuminate indicating that the filters need to be cleaned. After cleaning, press this button for 3 seconds to reset the 40-hour period and turn the LED off.

Light: This button controls the halogen lighting. The first press turns the lights on. A second press dims the lights. A third press turns the lights off.

Heat Lamp: The buttons marked "L" and "R" independently control the left and right infrared heating lamps, turning the lights on or off.

HST SERIES HOODS



Off : Pressing button once turns blower off and resets control.

Fan Speed : Pressing button once, from an off state, turns the blower on low. Each successive press of the button increases the fan speed until high where the fan cycles back to the low speed. The LEDs above this button indicate the current fan speed. When the fan is on, the corresponding LED is illuminated.

1 - Low

2 - Medium

3 - High

Delay Shut Off : Press to turn fan on high for 5 minutes.

If the blower is off when the delay button is pressed, the ventilator will turn on to the high speed setting for 5 minutes. At the end of the cycle the blower will turn off.

If the ventilator is on when the delay button is pressed, the blower runs for:

·15 minutes for low speed

·7 1/2 minutes for medium speed

·5 minutes for high speed

During a timed period, the LED above the Delay Shut Off button is illuminated.

To interrupt a timed period, press Fan Speed or Off button.

Filter: After 40 hours of operation, the clean filter reminder LED above this button will illuminate indicating that the filters need to be cleaned. After cleaning, press this button for 3 seconds to reset the 40-hour period and turn the LED off.

Light: This button controls the halogen lighting. The first press turns the lights on. A second press dims the lights. A third press turns the lights off.

Heat Lamp: The buttons marked "L" and "R" independently control the left and right infrared heating lamps, turning the lights on or off.

Heat Sensor: Your hood is equipped with a heat sensor that will turn the blower to Low speed if excessive heat occurs above the cooking surfaces.

1. If the blower is off – it turns the blower on to low speed.

2. If the blower is already on any speed selection, no speed change will occur.

When the temperature level on the hood drops to normal, the blower will return to its original setting.

Overtemperature : The high temperature sensor protects the hood from high temperatures which may damage components. The control is set to activate at 161° F (72° C) and reset at 140°F (60° C). When activated, the ventilator will turn on low and the corresponding LED will blink, indicating an over temperature condition.

While the high temperature sensor is activated, the blower speed can be changed or turned off. If the blower is turned off, the corresponding LED will blink. Light controls will remain operational. When the control sensor reaches 140°F (60° C), a reset will occur. During reset, the control will revert back to the operational state prior to the high temperature condition.

High Temperature Fault Condition: The circuit is equipped with an alarm indicating that the heat sensor protection is not working, due to a damaged sensor. In the case of this extreme condition, the three speed indicator LEDs will start blinking. All the controls will be operational except for the speed indicators.

HOOD OPERATING INSTRUCTIONS

The blower should be turned on for a few minutes **before** cooking in order to establish air currents upward through the hood. Thus when heat, smoke, moisture, grease and cooking odors are produced, they will be carried outside instead of drifting into other rooms.

Use the low speeds for normal use and the higher speeds for strong odors or fumes.

Drafts across the range or cooktop will cause the escape of heat, smoke, moisture, grease and cooking odors from the hood. Such drafts should be prevented in so far as possible.

The best job of ventilation in the kitchen is done where the only air currents are those created by the blower itself.

BLOWER

The motor is operated by a three speed control switch. You may change the speed of the motor depending on the amount of grease and smoke you are creating while cooking.

ALWAYS USE THE HIGH SETTING WHEN GRILLING.

FILTERS

The metal grease filters are made of anodized aluminum and are long lasting.

To Remove The Metal Grease Filters

- Turn the fan and lights off.
- Push each handle towards the back and pull downwards Fig. 1.

To Replace The Metal Grease Filters

- Reverse procedure.

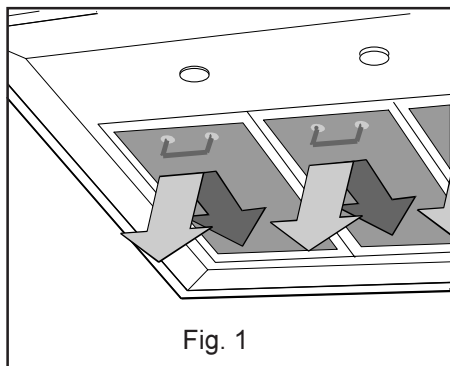


Fig. 1

CLEANING INSTRUCTIONS

Be sure lights are cool before cleaning the hood.

To Clean Filters

- It is recommended that the filters be washed at least once a month; they can be washed by hand or in the dishwasher.
- Drain water through edge holes and let each filter dry thoroughly before replacing it

To Clean Hood Surface

- For general care, wipe the outside of the stainless steel with sudsy water or household cleaners such as Fantastic® or Formula 409®, rinse well and dry with clean soft cloth to avoid water marks.
- Wipe and dry brushed stainless steel in the same direction as the grain.
- Do not use abrasive products.
- To remove finger prints and give added shine use spray cleaners such as Stainless Steel Magic® and Shimmer®

LIGHTS

NOTE: Turn off the lights and fan. Allow the lights to cool before handling. If new lights do not operate be sure lights are inserted correctly before calling service.

Replace Lights (HS and HST series hoods only)

- Using a flat edge from a screwdriver or equivalent tool pry loose the lens cover as shown in Figure 2.
- Remove the damaged light and replace with a new 12 Volt, 20 Watt (maximum) halogen light made for a G-4 base. Follow package directions and do not touch new light with bare hands.
- Reinstall the light cover.

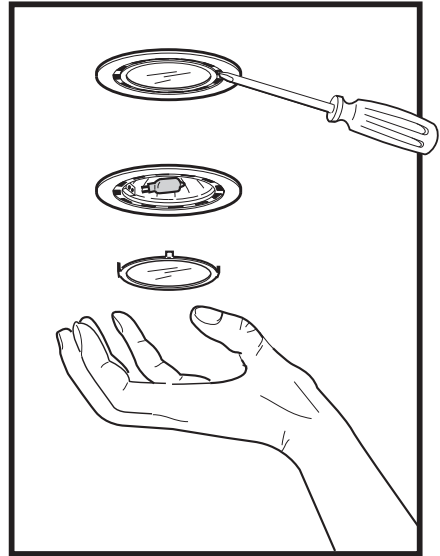


Fig. 2

WARMING LAMPS (INFRARED). THESE ARE AVAILABLE ON “HS” AND “HST” SERIES HOODS AS OPTIONAL ACCESSORY TO BE PURCHASED APART.

Purchase and use only lamps mod. 175R-PAR, 175W maximum infrared bulbs.

Replace Lights (HSB series hoods only)

- Turn the fan and lights off.
- Remove the lamp cover (remove the screw that fixes the lamp cover) see Figure 3.
- Remove the damaged light and replace with a new 120 Volt, 40 Watt (maximum) bulb made for an E27 base.
- Reinstall the lamp cover and fix in place with its screw.

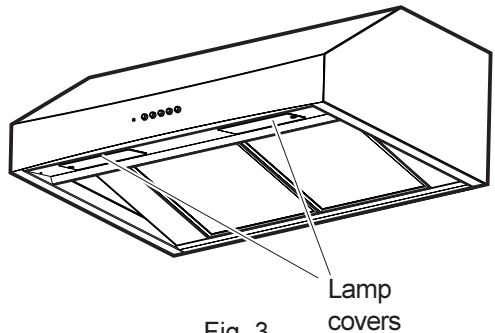


Fig. 3

Free Manuals Download Website

<http://myh66.com>

<http://usermanuals.us>

<http://www.somanuals.com>

<http://www.4manuals.cc>

<http://www.manual-lib.com>

<http://www.404manual.com>

<http://www.luxmanual.com>

<http://aubethermostatmanual.com>

Golf course search by state

<http://golfingnear.com>

Email search by domain

<http://emailbydomain.com>

Auto manuals search

<http://auto.somanuals.com>

TV manuals search

<http://tv.somanuals.com>