

TABULAR DATA SHEET

Outdoor Split System Heat Pump 1.5 Thru 5 Tons

MODELS: THJD18* THRU 60

13 SEER – R-410A, 1 PHASE

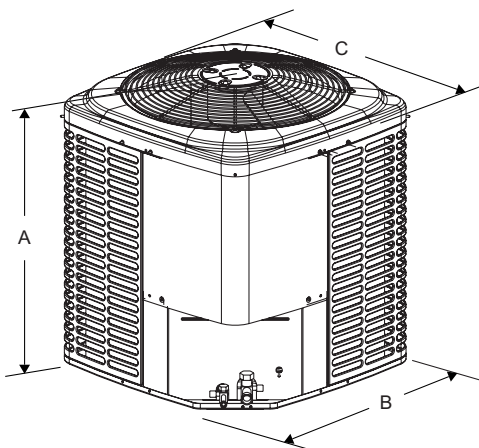
Physical and Electrical Data

MODEL	THJD18 S41S3	THJD24 S41S4	THJD30 S41S4	THJD36 S41S4	THJD42 S41S4	THJD48 S41S4	THJD60 S41S4	
Unit Supply Voltage	208-230V, 1 ϕ , 60Hz							
Normal Voltage Range ¹	187 to 252							
Minimum Circuit Ampacity	11.9	11.2	14.1	19.7	20.9	25.6	34.9	
Max. Overcurrent Device Amps ²	20	15	20	30	35	45	60	
Min. Overcurrent Device Amps ³	15	15	15	20	25	30	35	
Compressor Type	Scroll	Recip	Recip	Recip	Recip	Recip	Scroll	
Compressor Amps	Rated Load	9.0	8.3	10.6	14.7	15.7	19.4	26.9
	Locked Rotor	48.0	43.0	54.0	74.0	88.0	88.0	135.0
Crankcase Heater	No	Yes	Yes	Yes	Yes	Yes	No	
Factory External Discharge Muffler	Yes	No	No	No	No	No	Yes	
Factory External Check Valve	No	No	No	No	No	No	No	
HS Kit Required with TXV ⁴	No	Yes	Yes	Yes	Yes	Yes*	No	
Fan Motor Amps	Rated Load	0.70	0.80	0.80	1.3	1.3	1.3	1.3
	Fan Diameter Inches	24	24	24	24	24	24	24
Fan Motor	Rated HP	1/10	1/8	1/8	1/4	1/4	1/4	1/4
	Nominal RPM	825	1075	1075	850	850	850	850
	Nominal CFM	2000	2900	3000	3800	3800	3600	3600
Coil	Face Area Sq. Ft.	15.7	18.3	21.0	23.6	23.6	23.6	23.6
	Rows Deep	1	1	1	1	1	2	2
	Fin / Inches	22	22	22	22	22	18	18
Liquid Line Set OD (Field Installed)	3/8	3/8	3/8	3/8	3/8	3/8	3/8	
Vapor Line Set OD (Field Installed)	3/4	3/4	3/4	3/4	7/8	7/8	7/8	
Unit Charge (Lbs. - Oz.) ⁵	6 - 6	9 - 6	9 - 0	10 - 0	9 - 10	14 - 12	13 - 13	
Charge Per Foot, Oz.	0.62	0.62	0.62	0.62	0.67	0.67	0.67	
Operating Weight Lbs.	172	194	206	218	218	285	284	

* These models are shipped with a Hard Start Kit installed at the factory.

1. Rated in accordance with ANSI/AHRI Standard 110-2002, utilization range "A".
2. Dual element fuses or HACR circuit breaker. Maximum allowable overcurrent protection.
3. Dual element fuses or HACR circuit breaker. Minimum recommended overcurrent protection.
4. See Hard Start Kit Accessory Installation Manual for Hard Start Kit part number for each model.
5. The Unit Charge is correct for the outdoor unit, matched indoor coil, and 15 feet of refrigerant tubing. For tubing lengths other than 15 feet, add or subtract the amount of refrigerant, using the difference in length multiplied by the per foot value.

All dimensions are in inches. They are subject to change without notice. Certified dimensions will be provided upon request.



Unit Model	Dimensions (Inches)			Refrigerant Connection Service Valve Size	
	A ¹	B	C	Liquid	Vapor
18	28	34	34	3/8"	3/4"
24	32	34	34		
30	36	34	34		
36	40	34	34		
42	40	34	34		
48	40	34	34	7/8"	
60	40	34	34		

1. Including Fan Guard.

Thermo Products, LLC

MAC-220
ECN 5287-MA 121005

System Charge for Various Matched Systems							
Outdoor Unit	THJD18 S41S3	THJD24 S41S4	THJD30 S41S4	THJD36 S41S4	THJD42 S41S4	THJD48 S41S4	THJD60 S41S4
Required Orifice or TXV ¹	.051/4F1	.054/4G1	.063/4G1	.071/4H1	.075/4H1	4J1	4K1
Factory Charge, lbs-oz	6 – 6	9 – 6	9 – 0	10 – 0	9 – 10	14 – 2	13 – 13
Indoor Unit ^{2,3}	Additional Charge, oz						
FC/MC/PC/UC18	.051/TXV+0	--	--	--	--	--	--
FC/MC/PC/UC35	--	.059/TXV+0	.063/TXV+0	--	--	--	--
FC/MC/PC/UC43	--	.059/TXV+23	.063/TXV+25	.071/TXV+6	--	--	--
FC/MC/PC/UC60	--	--	--	--	.075/TXV+0	TXV 0	--
FC/PC/62	--	--	--	--	--	TXV+25	TXV+0

Footnotes:

1. For applications requiring a TXV use S1-1TVM*** series kit.
2. Systems matched with furnaces or air handlers not equipped with blower-off delays may require blower Time Delay Kit S1-2FD06700224.
3. PC coils cannot be used in downflow or horizontal applications. FC coils cannot be used in horizontal applications.

Procedures:

1. Unit factory charge listed on the unit nameplate includes refrigerant for the outdoor unit, the smallest matched indoor unit, and 15 feet of interconnecting line tubing.
2. Verify the TXV or orifice and additional charge required for specific matched indoor unit in the system using the above table.
3. Add additional charge for the amount of interconnecting line tubing greater than 15 feet at the rate specified in Physical and Electrical Data table.
4. For indoor matches requiring additional charge, the refrigerant needs to be weighed in for specific matched indoor unit and line set lengths.
5. Permanently mark the unit nameplate with the total system charge. Total system charge = base charge as shipped plus charge adder for matched indoor unit and charge adder for line set.

Free Manuals Download Website

<http://myh66.com>

<http://usermanuals.us>

<http://www.somanuals.com>

<http://www.4manuals.cc>

<http://www.manual-lib.com>

<http://www.404manual.com>

<http://www.luxmanual.com>

<http://aubethermostatmanual.com>

Golf course search by state

<http://golfingnear.com>

Email search by domain

<http://emailbydomain.com>

Auto manuals search

<http://auto.somanuals.com>

TV manuals search

<http://tv.somanuals.com>