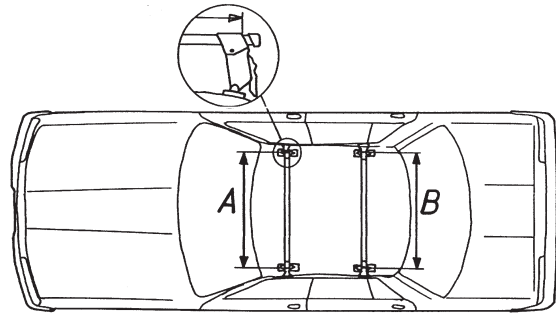
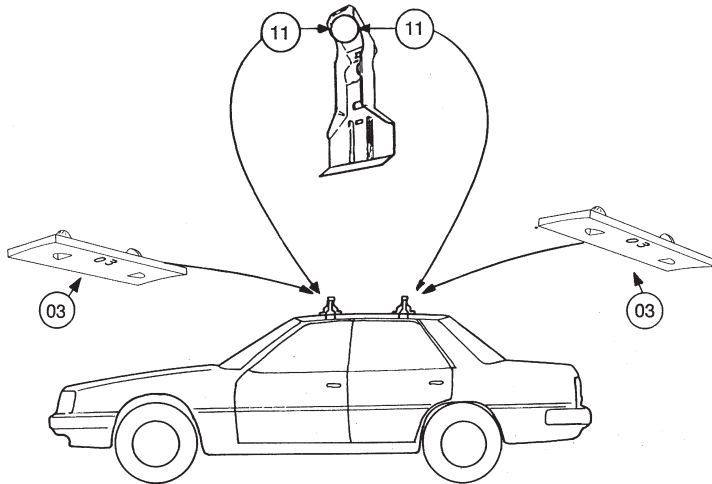
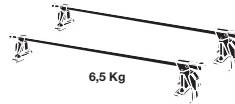


# Thule System Kit 013

**BUICK Riviera**  
**CHEVROLET Camaro**  
**CADILLAC Eldorado, Seville**  
**FORD Lincoln**  
**FORD Mustang**  
**OLDSMOBILE Tornado**

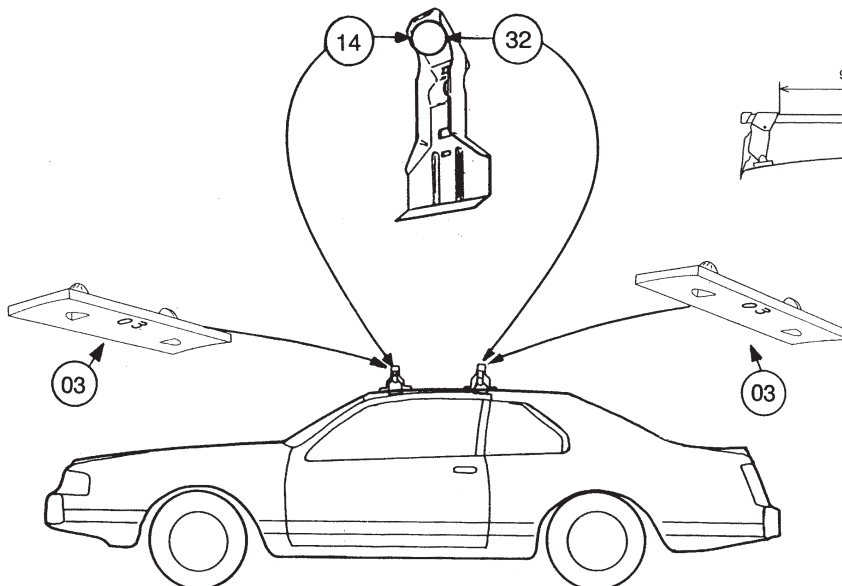
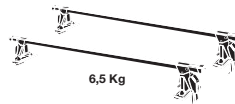


	A	B	A	B
Ford Mustang	1095 mm	1095 mm	43 <sup>1</sup> / <sub>8</sub> inc	43 <sup>1</sup> / <sub>8</sub> inc
Ford Lincoln	1330 mm	1330 mm	52 <sup>3</sup> / <sub>8</sub> inc	52 <sup>3</sup> / <sub>8</sub> inc
Chevrolet Camaro	1095 mm	1095 mm	43 <sup>1</sup> / <sub>8</sub> inc	43 <sup>1</sup> / <sub>8</sub> inc
Cadillac Eldorado, -Seville	1185 mm	1190 mm	46 <sup>5</sup> / <sub>8</sub> inc	46 <sup>7</sup> / <sub>8</sub> inc
Oldsmobile Tornado	1185 mm	1190 mm	46 <sup>5</sup> / <sub>8</sub> inc	46 <sup>7</sup> / <sub>8</sub> inc
Buick Riviera	1185 mm	1190 mm	46 <sup>5</sup> / <sub>8</sub> inc	46 <sup>7</sup> / <sub>8</sub> inc

909•4EF/501-0013

# Thule System Kit 014

**LINCOLN Mark VII**



909•4EF/501-0014

## Free Manuals Download Website

<http://myh66.com>

<http://usermanuals.us>

<http://www.somanuals.com>

<http://www.4manuals.cc>

<http://www.manual-lib.com>

<http://www.404manual.com>

<http://www.luxmanual.com>

<http://aubethermostatmanual.com>

Golf course search by state

<http://golfingnear.com>

Email search by domain

<http://emailbydomain.com>

Auto manuals search

<http://auto.somanuals.com>

TV manuals search

<http://tv.somanuals.com>