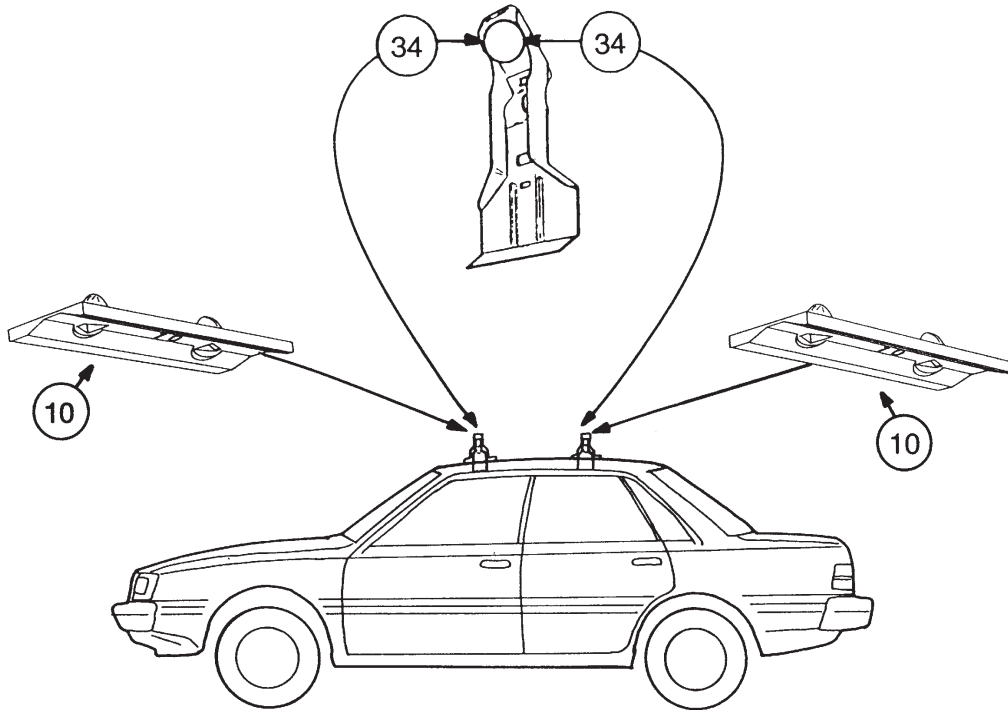
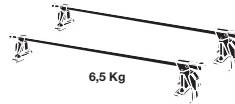


Thule System Kit 039

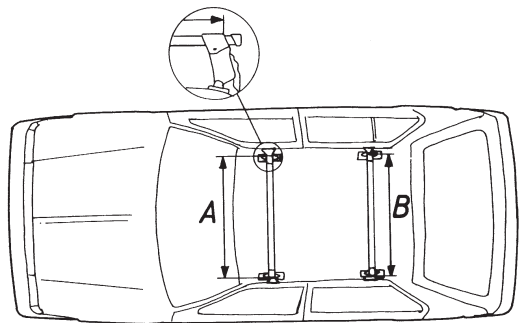
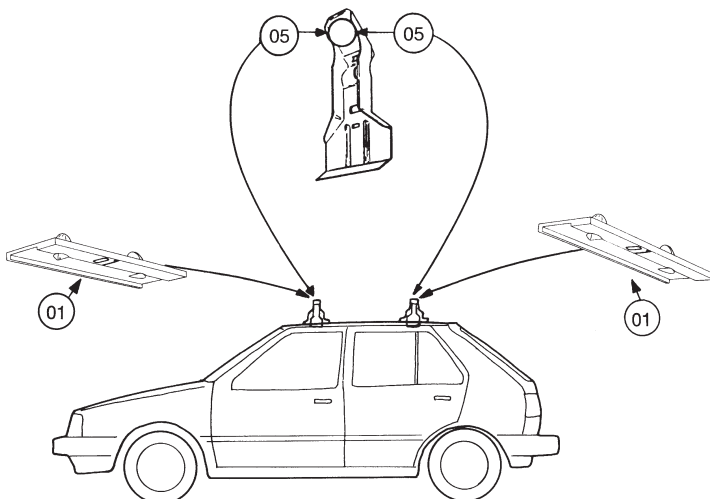
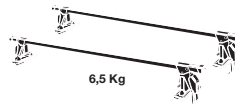
SUBARU 1.8 Leone 2-dr, 4-dr



909•4EF/501-0039

Thule System Kit 041

CHEVROLET Spectrum, 4-dr
ISUZU Gemini, 4-dr
NISSAN Micra, 4-dr



	A	B
CHEVROLET SPECTRUM, 4-D	970 mm/38 in	970 mm/38 in
ISUZU GEMINI, 4-D	970 mm/38 in	970 mm/38 in
NISSAN MICRA, 4-D	920 mm/36 1/4 in	920 mm/36 1/4 in

909•4EF/501-0041

Free Manuals Download Website

<http://myh66.com>

<http://usermanuals.us>

<http://www.somanuals.com>

<http://www.4manuals.cc>

<http://www.manual-lib.com>

<http://www.404manual.com>

<http://www.luxmanual.com>

<http://aubethermostatmanual.com>

Golf course search by state

<http://golfingnear.com>

Email search by domain

<http://emailbydomain.com>

Auto manuals search

<http://auto.somanuals.com>

TV manuals search

<http://tv.somanuals.com>