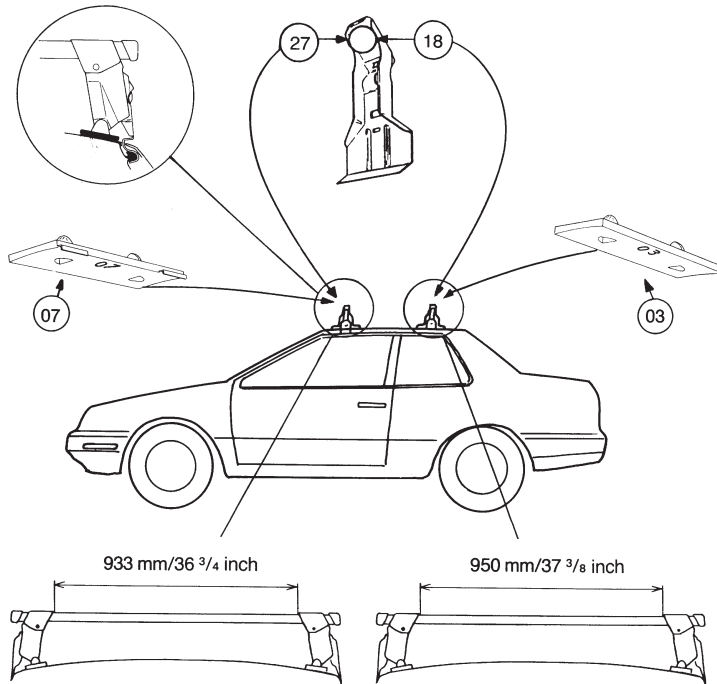
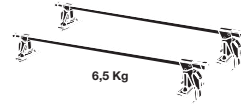


Thule System Kit 065

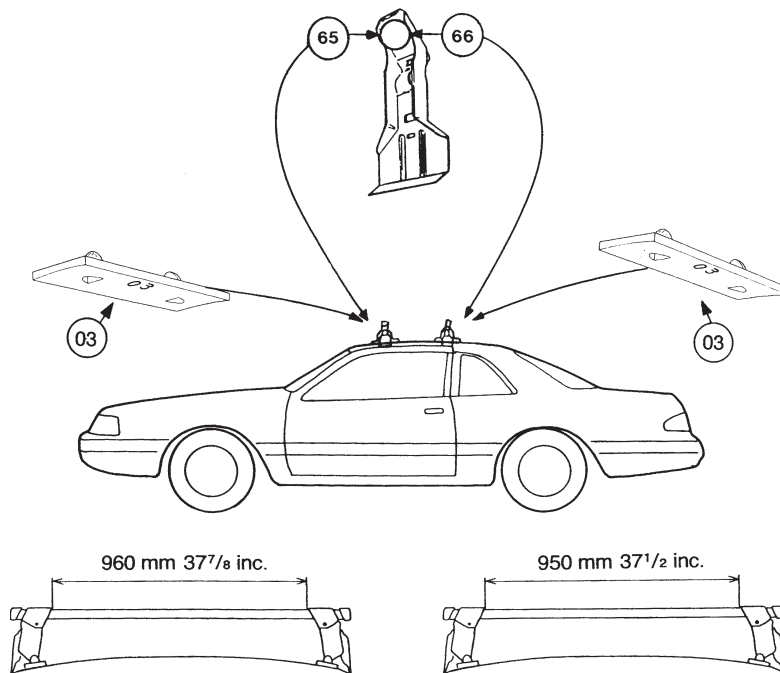
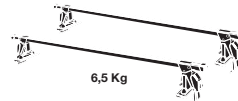
CHRYSLER ES 2-dr, 87-
CHRYSLER Sundance 2-dr, 87-
DODGE Shadow 2-dr, 87-
PLYMOUTH Sundance 2-dr, 87-



913•L5DF/501-0065-02

Thule System Kit 066

FORD Thunderbird, 87-
MERCURY Cougar, 87-



909•4EF/501-0066

Free Manuals Download Website

<http://myh66.com>

<http://usermanuals.us>

<http://www.somanuals.com>

<http://www.4manuals.cc>

<http://www.manual-lib.com>

<http://www.404manual.com>

<http://www.luxmanual.com>

<http://aubethermostatmanual.com>

Golf course search by state

<http://golfingnear.com>

Email search by domain

<http://emailbydomain.com>

Auto manuals search

<http://auto.somanuals.com>

TV manuals search

<http://tv.somanuals.com>