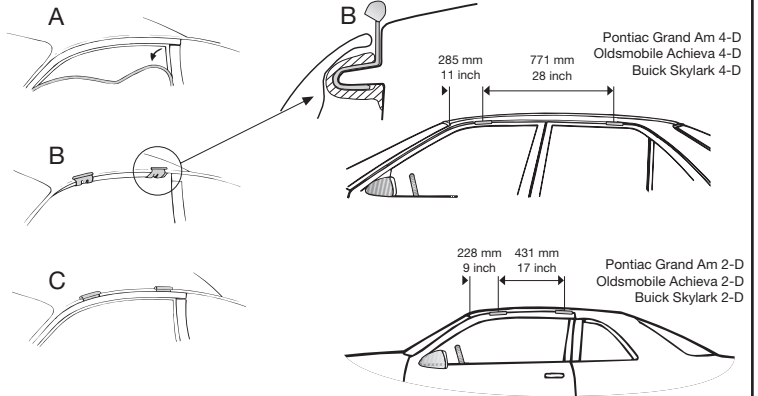


Thule System Kit 177

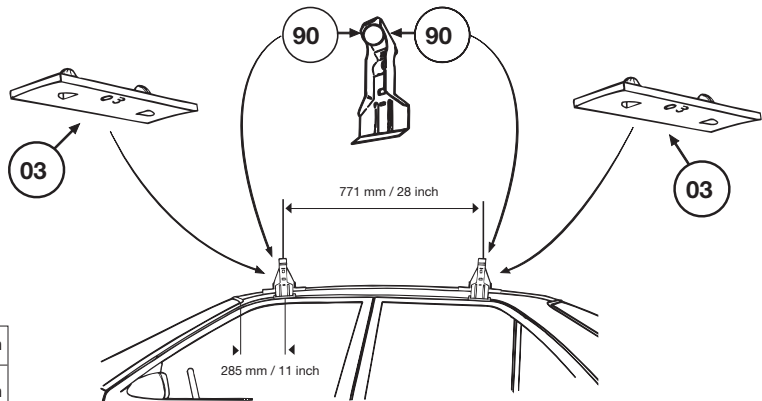
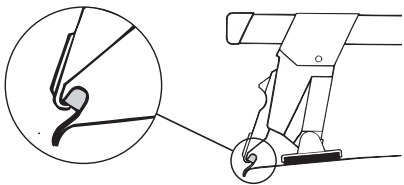


Gently pull the door frame's rubber gasket away from the vehicle. Install the attachment clips onto the vehicle by pushing them onto the welded gutter. **See the figure for correct positioning**

The attachment clips should always been left on the vehicle. The roof rack can be mounted and dismantled as you wish.

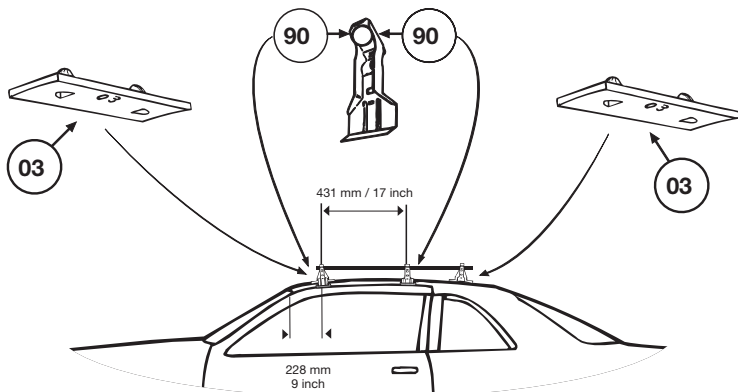
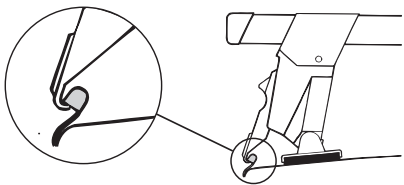


PONTIAC Grand Am 4-dr OLDSMOBILE Achieva 4-dr BUICK Skylark 4-dr



	Front	Rear
PONTIAC	806 mm / 31 ³ / ₄ inch	800 mm / 31 ¹ / ₂ inch
OLDSMOBILE	800 mm / 31 ¹ / ₂ inch	795 mm / 31 ¹ / ₄ inch
BUICK	785 mm / 31 inch	790 mm / 31 ¹ / ₈ inch

PONTIAC Grand Am 2-dr OLDSMOBILE Achieva 2-dr BUICK Skylark 2-dr



	Front	Rear
PONTIAC	800 mm / 31 ¹ / ₂ inch	800 mm / 31 ¹ / ₂ inch
OLDSMOBILE	807 mm / 31 ³ / ₄ inch	800 mm / 31 ¹ / ₂ inch
BUICK	790 mm / 31 ¹ / ₈ inch	790 mm / 31 ¹ / ₈ inch

Free Manuals Download Website

<http://myh66.com>

<http://usermanuals.us>

<http://www.somanuals.com>

<http://www.4manuals.cc>

<http://www.manual-lib.com>

<http://www.404manual.com>

<http://www.luxmanual.com>

<http://aubethermostatmanual.com>

Golf course search by state

<http://golfingnear.com>

Email search by domain

<http://emailbydomain.com>

Auto manuals search

<http://auto.somanuals.com>

TV manuals search

<http://tv.somanuals.com>