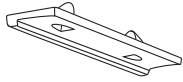
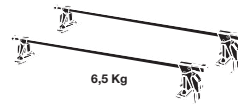
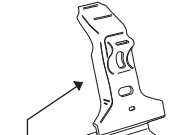


# Thule System Kit 2052

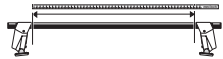
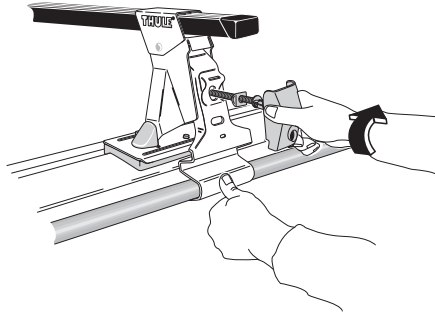
TOYOTA Sienna, 91-



18 x4

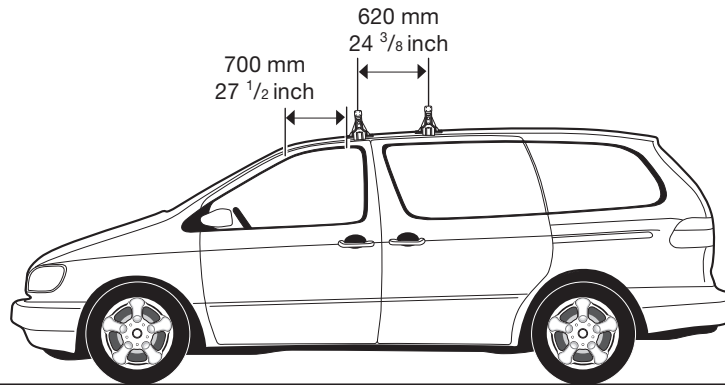


244 x 4



Front Rear

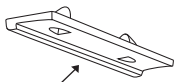
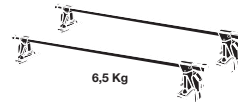
1075 mm / 42 <sup>3</sup>/<sub>8</sub> inch    1075 mm / 42 <sup>3</sup>/<sub>8</sub> inch



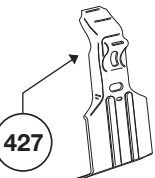
843•L5DF/501-2052

# Thule System Kit 2053

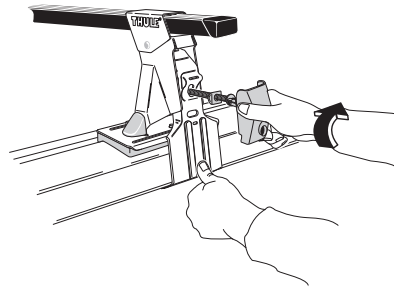
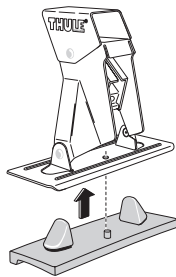
MAZDA 626 4-dr, 98- (USA)



18 x4

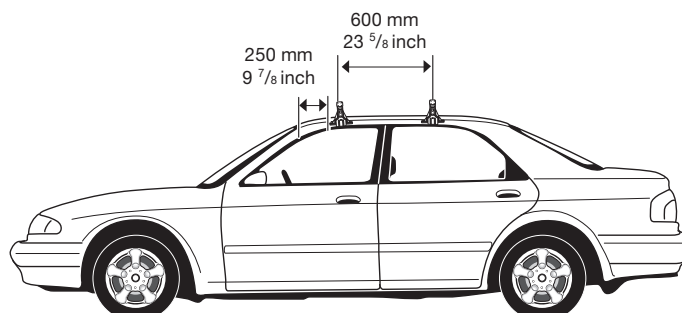


427 x 4



Front Rear

1029 mm / 40 <sup>1</sup>/<sub>2</sub> inch    1010 mm / 39 <sup>3</sup>/<sub>4</sub> inch



843•L5DF/501-2053

## Free Manuals Download Website

<http://myh66.com>

<http://usermanuals.us>

<http://www.somanuals.com>

<http://www.4manuals.cc>

<http://www.manual-lib.com>

<http://www.404manual.com>

<http://www.luxmanual.com>

<http://aubethermostatmanual.com>

Golf course search by state

<http://golfingnear.com>

Email search by domain

<http://emailbydomain.com>

Auto manuals search

<http://auto.somanuals.com>

TV manuals search

<http://tv.somanuals.com>