



BENGAL BRUTE ASSEMBLIES

CNH T6010-80
MAXXUM 110,115,120,
125,130,140,155

Current as of 06/09/2010



PARTS LISTING WITH MOUNTING AND OPERATING INSTRUCTIONS

Tiger Corporation
3301 N. Louise Ave.
Sioux Falls, SD 57107
1-800-843-6849
1-605-336-7900
www.tiger-mowers.com

06022003

TO THE OWNER / OPERATOR / DEALER

All implements with moving parts are potentially hazardous. There is no substitute for a cautious, safe-minded operator who recognizes the potential hazards and follows reasonable safety practices. The manufacturer has designed this implement to be used with all its safety equipment properly attached to minimize the chance of accidents.

BEFORE YOU START!! Read the safety messages on the implement and shown in this manual. Observe the rules of safety and use common sense!

READ AND UNDERSTAND THIS MANUAL! Non-English speaking operators will need to GET THE MANUAL TRANSLATED as needed!



DANGER

FAILING TO FOLLOW SAFETY MESSAGES AND OPERATING INSTRUCTIONS CAN CAUSE SERIOUS BODILY INJURY OR EVEN DEATH TO OPERATOR AND OTHERS IN THE AREA.



1. Study and understand Operator's Manuals, Safety Decals, and Instructional Decals for tractor and implement to prevent misuse, abuse, and accidents. Practice before operating in a confined area or near passersby.

● Learn how to stop engine suddenly in an emergency. Be alert for passersby and especially children

2. Allow no children on or near folding mower or tractor. Allow no riders on tractor or implement. Falling off may cause serious injury or death from being run over by tractor or mower or contact with rotating blades.

3. Operate only with tractor having Roll-Over Protective Structure (ROPS) and with seat belt securely fastened to prevent injury and possible death from falling off or tractor overturn.

● Personal Protective Equipment such as Hard Hat, Safety Glasses, Safety Shoes, & Ear Plugs are recommended.

4. Block up or support raised machine and all lifted components securely before putting hands or feet under or working underneath any lifted component to prevent crushing injury or death from sudden dropping or inadvertent operation of controls. Make certain area is clear before lowering or folding

5. Before transporting, put Lift Lever in detent or full-lift position. Install Transport Safety Devices securely on folding mowers. Put Booms securely in Transport Rest.

● Folding and Boom Mowers have raised center of gravity. Slow down when turning and on hillsides.

6. Make certain that SMV sign, warning lights, and reflectors are clearly visible. Follow local traffic codes.

7. Never operate with Cutting Head or Folding Section raised if passersby, bystanders, or traffic are in the area to reduce possibility of injury or death from objects thrown by Blades under Guards or mower structure.

8. Before dismounting, secure implement in transport position or lower to ground.

● Put tractor in park or set brake, disengage PTO, stop engine, remove key, and wait until noise of rotation has ceased to prevent crushing by entanglement in rotating parts which could cause injury or death.

● Never mount or dismount a moving vehicle. Crushing from runover may cause serious injury or death.



Warranty Information: Read and understand the complete Warranty Statement found in this manual. Fill out the Warranty Registration form in full and return it within 90 days. Make certain the Serial Number of the machine is recorded on the Warranty Card, and form that you retain.

FORWARD

This manual contains information about many features of the Tiger mowing and roadside maintenance equipment. Some of these include: Safety precautions, Assembly instructions, Operations, Maintenance and Parts. This manual will also assist you in the proper break-in, daily care, and troubleshooting of your new mower.

We recommend that you read carefully the entire manual before operating the unit. Also, time spent in becoming fully acquainted with its performance features, adjustments, and maintenance schedules will be repaid in a long and satisfactory life of the equipment.

Troubleshooting - Please, before you call, help us to help you!

Please look at the equipment to observe what is happening, then:

- Classify the problem
 - Hydraulic, electrical or mechanical - Read the trouble shooting section
 - Tractor or Truck chassis - Contact vehicle dealer

- If unable to correct the problem yourself, contact your local Tiger Dealer after gathering:
 - Machine model _____
 - Serial number _____
 - Dealer name _____
 - Detailed information about the problem including results of troubleshooting

Attention Owner / Operator / Dealer: It is your obligation to read, and understand, the warranty information section located at the back of this manual denoting that the purchaser understands the safety issues relating to this machine and has received and will read a copy of this manual.

If at any time, you have a service problem with your Tiger mower, Contact your local dealer for service and parts needed.

MANUFACTURED BY:

Tiger Corporation

3301 N. Louise Ave.

Sioux Falls, SD 57107

1-800-843-6849

1-605-336-7900

www.tiger-mowers.com

DISTRIBUTED BY:

1- _____ - _____ - _____

1- _____ - _____ - _____

TABLE OF CONTENTS

SAFETY _____	1-1
Safety Information_____	1-2
ASSEMBLY / MOUNTING SECTION _____	2-1
OPERATION SECTION _____	3-1
MAINTENANCE SECTION _____	4-1
PARTS SECTION _____	5-1
Parts Ordering Guide_____	5-2
Parts Table of Contents_____	5-3
Common Parts Section _____	6-1
WARRANTY INFORMATION _____	7-1



1012

This symbol means:

CAUTION – YOUR SAFETY IS AT RISK!

When you see this symbol, read and follow the associated instructions carefully or personal injury or damage may result.

Tiger is a registered trademark.



SAFETY SECTION

SAFETY

A safe and careful operator is the best operator. Safety is of primary importance to the manufacturer and should be to the owner / operator. Most accidents can be avoided by being aware of your equipment, your surroundings, and observing certain precautions. The first section of this manual includes a list of Safety Messages that, if followed, will help protect the operator and bystanders from injury or death. Read and understand these Safety Messages before assembling, operating or servicing this mower. This equipment should only be operated by those persons who have read the Manual, who are responsible and trained, and who know how to do so safely and responsibly.

The Safety Alert Symbol combined with a Signal Word, as seen below, is used throughout this manual and on decals which are attached to the equipment. The Safety Alert Symbol means: **“ATTENTION! BECOME ALERT! YOUR SAFETY IS INVOLVED!”** The symbol and signal word are intended to warn the owner / operator of impending hazards and the degree of possible injury when operating this equipment.

Practice all usual and customary safe working precautions and above all -- remember safety is up to YOU! Only YOU can prevent serious injury or death from unsafe practices.



This is the Safety Alert Symbol. When you see this symbol on your machine or in these instructions, be alert to the potential for personal injury.

CAUTION!



The lowest level of Safety Message; warns of possible injury. Decals located on the equipment with this signal word are Black and Yellow.

WARNING!



Serious injury or possible death! Decals are Black and Orange.

DANGER!



Imminent death / critical injury. Decals are Red and White.

READ, UNDERSTAND, and **FOLLOW** the following Safety Messages. Serious injury or death may occur unless care is taken to follow the warnings and instructions stated in the Safety Messages. Always use good common sense to avoid hazards. (SG-2)

SAFETY INSTRUCTIONS



SAFETY

PELIGRO!



Si no lee Ingles, pida ayuda a alguien que si lo lea para que le traduzca las medidas de seguridad. (SG-3)



¡ LEA EL INSTRUCTIVO!

DANGER!



Never operate the Tractor or Implement until you have read and completely understand this Manual, the Tractor Operator's Manual, and each of the Safety Messages found in the Manual or on the Tractor and Implement. Learn how to stop the tractor engine suddenly in an emergency. Never allow inexperienced or untrained personnel to operate the Tractor and Implement without supervision. Make sure the operator has fully read and understood the manuals prior to operation. (SG-4)



WARNING!



Always maintain the safety decals in good readable condition. If the decals are missing, damaged, or unreadable, obtain and install replacement decals immediately. (SG-5)

WARNING!



Make certain that the "Slow Moving Vehicle" (SMV) sign is installed in such a way as to be clearly visible and legible. When transporting the Equipment use the Tractor flashing warning lights and follow all local traffic regulations. (SG-6)



WARNING!



Operate this Equipment only with a Tractor equipped with an approved roll-over-protective system (ROPS). Always wear seat belts. Serious injury or even death could result from falling off the tractor--particularly during a turnover when the operator could be pinned under the ROPS. (SG-7)



WARNING!



Do not modify or alter this Implement. Do not permit anyone to modify or alter this Implement, any of its components or any Implement function. (SG-8)

DANGER!



BEFORE leaving the tractor seat, always engage the brake and/or set the tractor transmission in parking gear, disengage the PTO, stop the engine, remove the key, and wait for all moving parts to stop. Place the tractor shift lever into a low range or parking gear to prevent the tractor from rolling. Never dismount a Tractor that is moving or while the engine is running. Operate the Tractor controls from the tractor seat only. (SG-9)



SAFETY

DANGER!



Never allow children or other persons to ride on the Tractor or Implement. Falling off can result in serious injury or death.

(SG-10)



DANGER!



Never allow children to operate or ride on the Tractor or Implement.

(SG-11)



WARNING!



Do not mount the Tractor while the tractor is moving. Mount the Tractor only when the Tractor and all moving parts are completely stopped.

12)

(SG-



DANGER!



Start tractor only when properly seated in the Tractor seat. Starting a tractor in gear can result in injury or death. Read the Tractor operators manual for proper starting instructions. (SG-13)



DANGER!



Never work under the Implement, the framework, or any lifted component unless the Implement is securely supported or blocked up to prevent sudden or inadvertent falling which could cause serious injury or even death. (SG-14)



DANGER!



Do not operate this Equipment with hydraulic oil leaking. Oil is expensive and its presence could present a hazard. Do not check for leaks with your hand! Use a piece of heavy paper or cardboard. High-pressure oil streams from breaks in the line could penetrate the skin and cause tissue damage including gangrene. If oil does penetrate the skin, have the injury treated immediately by a physician knowledgeable and skilled in this procedure. (SG-15)

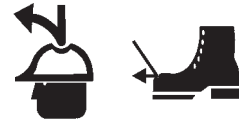


SAFETY

WARNING!



The operator and all support personnel should wear hard hats, safety shoes, safety glasses, and proper hearing protection at all times for protection from injury including injury from items thrown by the equipment. (SG-16)



CAUTION!



PROLONGED EXPOSURE TO LOUD NOISE MAY CAUSE PERMANENT HEARING LOSS! Tractors with or without an Implement attached can often be noisy enough to cause permanent hearing loss. We recommend that you always wear hearing protection if the noise in the Operator's position exceeds 80db. Noise over 85db over an extended period of time will cause severe hearing loss. Noise over 90db adjacent to the Operator over an extended period of time will cause permanent or total hearing loss. *Note:* Hearing loss from loud noise [from tractors, chain saws, radios, and other such sources close to the ear] is cumulative over a lifetime without hope of natural recovery. (SG-17)



WARNING!

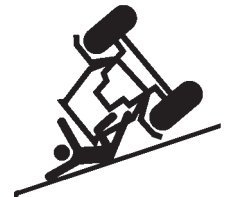


Transport only at safe speeds. Serious accidents and injuries can result from operating this equipment at unsafe speeds. Understand the Tractor and Implement and how it handles before transporting on streets and highways. Make sure the Tractor steering and brakes are in good condition and operate properly.



Before transporting the Tractor and Implement, determine the safe transport speeds for you and the equipment. Make sure you abide by the following rules:

1. Test the tractor at a slow speed and increase the speed slowly. Apply the Brakes smoothly to determine the stopping characteristics of the Tractor and Implement. As you increase the speed of the Tractor the stopping distance increases. Determine the maximum safe transport speed for you and this Equipment.
2. Test the equipment at a slow speed in turns. Increase the speed through the turn only after you determine that it is safe to operate at a higher speed. Use extreme care and reduce your speed when turning sharply to prevent the tractor and implement from turning over. Determine the maximum safe turning speed for you and this equipment before operating on roads or uneven ground.
3. Only transport the Tractor and Implement at the speeds that you have determined are safe and which allow you to properly control the equipment.



Be aware of the operating conditions. Do not operate the Tractor with weak or faulty brakes. When operating down a hill or on wet or rain slick roads, the braking distance increases: use extreme care and reduce your speed. When operating in traffic always use the Tractor's flashing warning lights and reduce your speed. Be aware of traffic around you and watch out for the other guy. (SG-19)

SAFETY

WARNING!



Never attempt to lubricate, adjust, or remove material from the Implement while it is in motion or while tractor engine is running. Make sure the tractor engine is off before working on the Implement.

(SG-20)

WARNING!



Periodically inspect all moving parts for wear and replace when necessary with authorized service parts. Look for loose fasteners, worn or broken parts, and leaky or loose fittings. Make sure all pins are properly secured. Serious injury may occur from not maintaining this machine in good working order. (SG-21)



WARNING!



Always read carefully and comply fully with the manufacturers instructions when handling oil, solvents, cleansers, and any other chemical agent. (SG-22)



DANGER!



Never run the tractor engine in a closed building or without adequate ventilation. The exhaust fumes can be hazardous to your health.

(SG-23)

DANGER!



KEEP AWAY FROM ROTATING ELEMENTS to prevent entanglement and possible serious injury or death.

(SG-24)



DANGER!



Never allow children to play on or around Tractor or Implement. Children can slip or fall off the Equipment and be injured or killed. Children can cause the Implement to shift or fall crushing themselves or others. (SG-25)

SAFETY

DANGER!



NEVER use drugs or alcohol immediately before or while operating the Tractor and Implement. Drugs and alcohol will affect an operator's alertness and coordination and therefore affect the operator's ability to operate the equipment safely. Before operating the Tractor or Implement, an operator on prescription or over-the-counter medication must consult a medical professional regarding any side effects of the medication that would hinder their ability to operate the Equipment safely. **NEVER** knowingly allow anyone to operate this equipment when their alertness or coordination is impaired. Serious injury or death to the operator or others could result if the operator is under the influence of drugs or alcohol. (SG-27)



DANGER!



Operate the Tractor and/or Implement controls only while properly seated in the Tractor seat with the seat belt securely fastened around you. Inadvertent movement of the Tractor or Implement may cause serious injury or death. (SG-29)

WARNING!



Mow only in conditions where you have clear visibility in daylight or with adequate artificial lighting. Never mow in darkness or foggy conditions where you cannot clearly see at least 100 yards in front and to the sides of the tractor and mower. Make sure that you can clearly see and identify passersby, steep slopes, ditches, drop-offs, overhead obstructions, power lines, debris and foreign objects. If you are unable to clearly see this type of items discontinue mowing. (SGM-1)

DANGER!



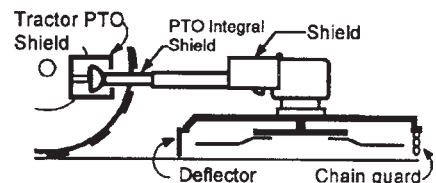
There are obvious and hidden potential hazards in the operation of this Mower. **REMEMBER!** This machine is often operated in heavy brush and in heavy weeds. The Blades of this Mower can throw objects if shields are not properly installed and maintained. Serious injury or even death may occur unless care is taken to insure the safety of the operator, bystanders, or passersby in the area. Do not operate this machine with anyone in the immediate area. Stop mowing if anyone is within 100 yards of mower. (SGM-2)



DANGER!



All Safety Shields, Guards and Safety devices including (but not limited to) - the Deflectors, Chain Guards, Steel Guards, Gearbox Shields, PTO integral shields, and Retractable Door Shields should be used and maintained in good working condition. All safety devices should be inspected carefully at least daily for missing or broken components. Missing, broken, or worn items must be replaced at once to reduce the possibility of injury or death from thrown objects, entanglement, or blade contact. (SGM-3)



SAFETY

DANGER!



The rotating parts of this machine have been designed and tested for rugged use. However, the blades could fail upon impact with heavy, solid objects such as metal guard rails and concrete structures. Such impact could cause the broken objects to be thrown outward at very high velocities. To reduce the possibility of property damage, serious injury, or even death, never allow the cutting blades to contact such obstacles. (SGM-4)

WARNING!



Extreme care should be taken when operating near loose objects such as gravel, rocks, wire, and other debris. Inspect the area before mowing. Foreign objects should be removed from the site to prevent machine damage and/or bodily injury or even death. Any objects that cannot be removed must be clearly marked and carefully avoided by the operator. Stop mowing immediately if blades strike a foreign object. Repair all damage and make certain rotor or blade carrier is balanced before resuming mowing. (SGM-5)



WARNING!



Many varied objects, such as wire, cable, rope, or chains, can become entangled in the operating parts of the mower head. These items could then swing outside the housing at greater velocities than the blades. Such a situation is extremely hazardous and could result in serious injury or even death. Inspect the cutting area for such objects before mowing. Remove any like object from the site. Never allow the cutting blades to contact such items. (SGM-6)

WARNING!



Mow at the speed that you can safely operate and control the tractor and mower. Safe mowing speed depends on terrain condition and grass type, density, and height of cut. Normal ground speed range is from 0 to 5 mph. Use slow mowing speeds when operating on or near steep slopes, ditches, drop-offs, overhead obstructions, power lines, or when debris and foreign objects are to be avoided. (SGM-7)

WARNING!



Avoid mowing in reverse direction when possible. Check to make sure there are no persons behind the mower and use extreme care when mowing in reverse. Mow only at a slow ground speed where you can safely operate and control the tractor and mower. Never mow an area that you have not inspected and removed debris or foreign material. (SGM-8)

WARNING!



Do not put hands or feet under mower decks. Blade Contact can result serious injury or even death. Stay away until all motion has stopped and the decks are securely blocked up. (SGM-9)



DANGER!



Replace bent or broken blade with new blades. NEVER ATTEMPT TO STRAIGHTEN OR WELD ON BLADES SINCE THIS WILL LIKELY CRACK OR OTHERWISE DAMAGE THE BLADE WITH SUBSEQUENT FAILURE AND POSSIBLE SERIOUS INJURY FROM THROWN BLADES. (SGM-10)

SAFETY

WARNING!



Do not mow with two machines in the same area except with Cab tractors with the windows closed. (SGM-11)

DANGER!



Rotary and Flail Mowers are capable under adverse conditions of throwing objects for great distances (100 yards or more) and causing serious injury or death. Follow safety messages carefully. **STOP MOWING IF PASSERSBY ARE WITHIN 100 YARDS UNLESS:**

- Front and Rear Deflectors are installed and in good, working condition;
- Mower Head is running close to and parallel to the ground without exposed Blades;
- Passersby are outside the existing thrown-object zone;
- All areas have been thoroughly inspected and all foreign material such as rocks, cans, glass, and general debris has been removed.



NOTE: Where there are grass and weeds high enough to hide debris that could be struck by the blades, the area should be: inspected and large debris removed, mowed at an intermediate height, inspected closely with any remaining debris being removed, and mowed again at desired final height. (SBM-1)



DANGER!



Use extreme caution when raising the Mower head. Stop the Blades from turning when the Mower Head is raised and passersby are within 100 yards. Raising the Mower head exposes the Cutting Blades which creates a potentially serious hazard and can cause serious injury by objects thrown from the Blades or by contact with the Blades. (SBM-2)

DANGER!



Be particularly careful in transport. The Mower has raised the center of gravity for the tractor and has increased the possibility of overturn. Turn curves or go up slopes only at low speed and using a gradual turning angle. Slow down on rough or uneven surfaces. (SBM-3)



WARNING!



Never Leave the mower unattended while the head is in the raised position. The mower could fall causing serious injury to anyone who might inadvertently be under the mower. (SBM-4)



WARNING!



The rotating parts of this machine continue to rotate even after the Tractor has been turned off. The operator should remain in his seat for 60 seconds after the brake has been set, the PTO disengaged, the tractor turned off, and all evidence of rotation has ceased. (SBM-5)

“Wait a minute...Save a life!”

Safety Section 1-9

SAFETY

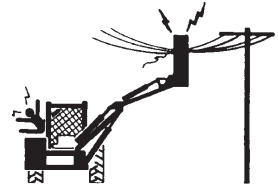


Relieve hydraulic pressure prior to doing any maintenance or repair work on the Implement. Place the Mower Head on the ground or securely supported on blocks or stands, disengage the PTO, and turn off the engine. Push and pull the control Levers or Joystick several times to relieve pressure prior to starting any maintenance or repair work. (SBM-6)

DANGER!



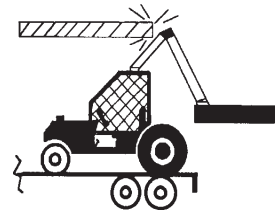
Always keep a careful lookout and use extreme care when working around overhead obstructions. Never allow the Mower head or boom within 10 feet of any power line. When working close to overhead power lines consult your electric company for a safe code of operation. (SBM-7)



DANGER!



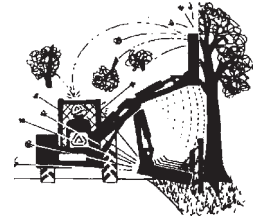
When transporting Boom Mower on a truck or trailer, the height or width may exceed legal limits when the boom is in the transport position. Contact with side or overhead structures or power lines can cause property damage or serious injury or death. If necessary lower boom to reduce height and/or remove mowing head to reduce width to the legal limits. (SBM-8)



DANGER!



Never operate the Tractor and Mower Unit without an OPS (Operators Protective Structure) or Cab to prevent injury from objects thrown from ground or from overhead trimming. Stop mowing if workers or passersby are within 100 yards. (SBM-9)



DANGER!



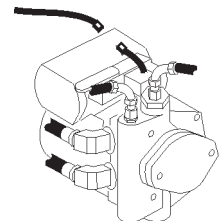
Each Rear Wheel must have a minimum of 1500 pound contact with the surface to prevent lateral instability and possible tip-over which could result in serious bodily injury or even death. Widen the wheel tread and add weights if needed. Refer to the mounting instructions or call Customer Service if you need assistance with Counterweight Procedure. (SBM-11)



DANGER!



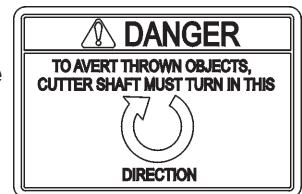
Always disconnect the wire leads from the mower pump solenoid before performing service on the Tractor or Mower. Use caution when working on the Tractor or Mower. Tractor engine must be stopped before working on Mower or Tractor. The Mower Blades could inadvertently be turned on without warning and cause immediate dismemberment, injury or death. (SBM-12a)



DANGER!



The flail cutter shaft is designed for standard rotation (same rotation as the tractor wheels during forward travel). **Never operate the cutter shaft in the reverse rotation.** Operating this mower in reverse rotation may cause objects to be thrown out the front of the mower head.



SAFETY

WARNING!



Engine Exhaust, some of its constituents, and certain components contain or emit chemicals known to the state of California to cause cancer and birth or other reproductive harm.

WARNING!



Battery posts, terminals and related accessories contain lead and lead compounds, chemicals known to the state of California to cause cancer and birth or other reproductive harm. **Wash hands after handling!**

Tiger mowers use balanced and matched system components for blade carriers, blades, cutter-shafts, knives, knife hangers, rollers, drive-train components and bearings. These parts are made and tested to Tiger specifications. Non-genuine “will fit” parts do not consistently meet these specifications. The use of “will fit” parts may reduce mower performance, void mower warranties and present a safety hazard. Use genuine Tiger mower parts for economy and safety.

SEE YOUR  DEALER

In addition to the design and configuration of this Implement, including Safety Signs and Safety Equipment, hazard control and accident prevention are dependent upon the awareness, concern, prudence, and proper training of personnel involved in the operation, transport, maintenance, and storage of the machine. Refer also to Safety Messages and operation instruction in each of the appropriate sections of the Tractor and Equipment Manuals. Pay close attention to the Safety Signs affixed to the Tractor and Equipment. (SG-18)

SAFETY

DANGER

FAILING TO FOLLOW SAFETY MESSAGES AND OPERATING INSTRUCTIONS CAN CAUSE SERIOUS BODILY INJURY OR EVEN DEATH TO OPERATOR AND OTHERS IN THE AREA.

<p>1. </p>	<p>2. NO RIDERS, NO CHILDREN OPERATORS</p>	<p>3. USE SAFETY SHOES, HARD HAT, SAFETY GLASSES, SEAT BELTS, & ROPS</p>	<p>4. BLOCK UP SECURELY BEFORE WORKING UNDER</p>
------------	---	---	---

1 Study and understand Operator's Manuals, Safety Signs, and Instructional Decals for tractor & flail mower to prevent misuse, abuse, & accidents. Practice before operating mower in a confined area or near passersby.

- Learn how to stop engine suddenly in an emergency. Be alert for passersby and especially children.

2 Allow no children on or near implement or tractor. Allow no riders on tractor or implement. Falling off can cause serious injury or death from being runover by tractor or mower or contact with Flail Mower Blades.

3 Operate only with tractor having Roll-Over Protective Structure (ROPS) and with seatbelt fastened securely and snugly to prevent injury and possible death from falling off or tractor overturn. Personal Protective Equipment such as Hard Hat, Safety Glasses, Safety Shoes, and Ear Plugs are recommended.

4 Block up or support raised machine and all lifted components securely before putting hands or feet under or working underneath any lifted component to prevent crushing injury or death from sudden dropping or inadvertent operation of controls. Make certain that area is clear before lowering or folding.

5 Before transporting, put Lift Lever in detent or full-lift position. Install Transport Safety Devices securely on folding implements. Slow down when turning and on hillsides.

- Install **Restrictor in folding circuit to slow down lowering and unfolding if action is faster than is desirable.

6 Make certain that SMV sign, Warning Lights, and Reflectors are clearly visible. Follow local traffic codes.

7 Never operate with Flail Mower or Folding Section raised if passersby, bystanders or traffic are in the area to reduce possibility of injury or death from objects thrown by Blades under Shields or implement structure.

8 Before dismounting, secure flail mower in transport position or lower to ground.

- Put tractor in park or set brake, disengage PTO, stop engine, remove key, and wait until noise of rotation has ceased to prevent entanglement in rotating parts which may cause injury or death.
- Never mount or dismount a moving vehicle. Crushing from runover may cause injury or death.

<p>5. TRANSPORT SAFELY, LOCK UP.</p>	<p>6. USE SMV, LIGHTS, & REFLECTORS.</p>	<p>7. DO NOT OPERATE WITH MOWER OR WING RAISED.</p>	<p>8. DO NOT MOUNT OR DISMOUNT WHILE MOVING.</p>
---	---	--	---

PART NO.
LOCATION

002369
HYDRAULIC TANK

PELIGRO

Si No Lee Ingles, Pida Ayuda a Alguien Que Si Lo Lea. Para Que le Traduzca las Medidas de Seguridad.

LEA EL INSTRUCTIVO

00725746

00725746
INSIDE OF CAB

DANGER

THROWN OBJECTS

CUTTING BLADES

KEEP AWAY - ROTATING BLADES

BEING HIT BY THROWN OBJECTS OR CONTACTING ROTATING BLADES CAN CAUSE INJURY OR DEATH.

- Stop mowing if passersby enter the area of thrown objects (See Operator's Manual).
- Use special care if Mower Head or Wing is raised off the ground. (See Manual).
- Operate only if all Guards-Deflectors are in place and in good condition.

00769737

00769737
MOWER DECK

SAFETY



PART NO.
LOCATION

00758194
MOWER DECK



02962764
MAIN BOOM, SECONDARY BOOM, MAIN FRAME



02962765
MAIN FRAME

02965262
HYDRAULIC TANK

SAFETY

DANGER

CUTTING BLADES



THROWN OBJECTS



KEEP AWAY - ROTATING BLADES

BEING HIT BY THROWN OBJECTS OR CONTACTING ROTATING BLADES CAN CAUSE INJURY OR DEATH

- Stop mowing if passersby enter the area of thrown objects. (See Operator's Manual)
- Use special care when Flail or Wing is raised off the ground. (See Oper. Manual)
- Operate only if all Guards-Deflectors are in place and in good condition.

PART NO.
LOCATION

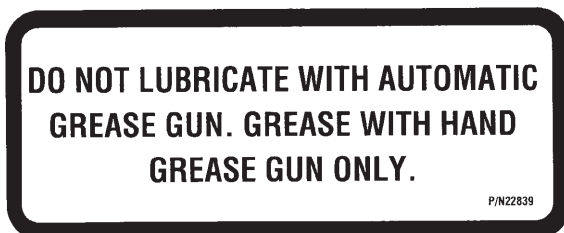
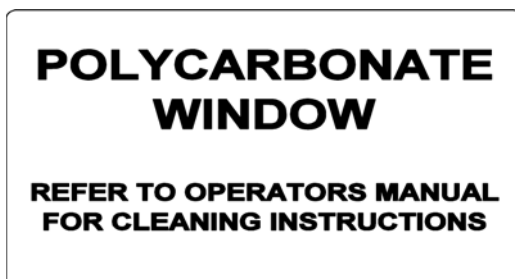
02967668
MOWER DECK

02971123
HYDRAULIC TANK

03200285
OUTSIDE OF CAB

22645
INSIDE OF CAB

22839
MOWER DECK



SAFETY



PART NO.
LOCATION

22840
INSIDE OF CAB



24028
MOWER DECK

25387
INSIDE OF CAB



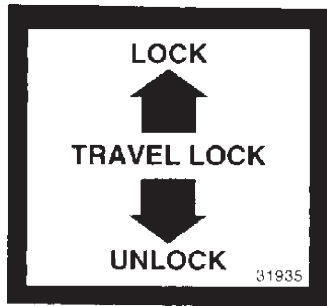
10" x 5.5" 31522
MOWER DECK, MAIN BOOM
18.25" x 10" 31523
HYDRAULIC TANK
13.5" x 7" 31513

SAFETY



PART NO.
LOCATION

27001
INSIDE OF CAB



31935
INSIDE OF CAB

DANGER

1. EACH REAR WHEEL MUST HAVE A MINIMUM OF 1500 POUNDS CONTACT WITH THE SURFACE TO PREVENT LATERAL INSTABILITY AND POSSIBLE TIP-OVER WITH BODILY INJURY. WIDEN WHEEL TREAD AND ADD WEIGHTS IF NEEDED. SEE MANUAL OR CALL TIGER CUSTOMER SERVICE FOR COUNTERWEIGHT PROCEDURE.
2. TRANSPORT CAREFULLY! SLOW DOWN EVEN MORE ON SLOPES AND WHEN TURNING; NEVER TURN UP A SLOPE SHARPLY OR AT HIGH SPEED; AND USE EXTRA CARE IN ROUGH OR BUMPY AREAS TO PREVENT OVERTURN AND POSSIBLE CRUSHING INJURY OR DEATH. IF YOUR VIEW TO THE REAR IS BLOCKED, IT IS YOUR RESPONSIBILITY TO INSTALL MIRRORS THAT PROVIDE A REAR VIEW TO PREVENT ACCIDENTS FROM BLIND SPOTS.
3. REAR-MOUNTED BOOM MOWERS MOVE CENTER OF GRAVITY TO THE REAR AND REMOVE WEIGHT FROM FRONT WHEELS. ADD FRONT BALLAST UNTIL AT LEAST 20% OF TRACTOR'S WEIGHT IS ON FRONT WHEELS TO PREVENT REARING UP, LOSS OF STEERING CONTROL, AND POSSIBLE INJURY.
4. NEVER OPERATE UNIT WITHOUT AN OPS (OPERATOR PROTECTIVE STRUCTURE) OR CAB TO PREVENT INJURY FROM OBJECTS THROWN FROM GROUND AND OVERHEAD TRIMMING. STOP CUTTING IF ANYONE IS WITHIN 100 YARDS.
5. KEEP THE BOOM AND CUTTERHEAD AT LEAST 10 FEET FROM ELECTRIC LINES AND PIPE LINES TO PREVENT ACCIDENTAL CONTACT AND POSSIBLE SERIOUS INJURY OR EVEN DEATH.
6. WHEN TRANSPORTING BOOM MOWERS ON A TRUCK OR TRAILER, THE HEIGHT OR WIDTH MAY EXCEED LEGAL LIMITS. CONTACT WITH SIDE OR OVERHEAD STRUCTURES OR POWER LINES CAN CAUSE SERIOUS INJURY OR DEATH. LOWER BOOM TO REDUCE HEIGHT AND/OR REMOVE MOWING HEAD TO REDUCE WIDTH TO THE LEGAL LIMITS, IF NEEDED.

32707
HYDRAULIC TANK



42350
MOWER DECK

SAFETY

ATTENTION

**SERVICE HYDRAULIC SYSTEM
WITH UNIVERSAL TRACTOR
HYDRAULIC OIL.**

32708

PART NO.
LOCATION

32708
HYDRAULIC TANK

CAUTION

For your safety and to guarantee optimum product reliability, always use genuine TIGER replacement parts. The use of inferior "will-fit" parts will void warranty of your TIGER implement and may cause premature or catastrophic failure which can result in serious injury or death. If you have any questions concerning the repair parts you are using, contact TIGER, 3301 N. LOUISE AVE., SIOUX FALLS, SD 57107

32709

32709
INSIDE OF CAB

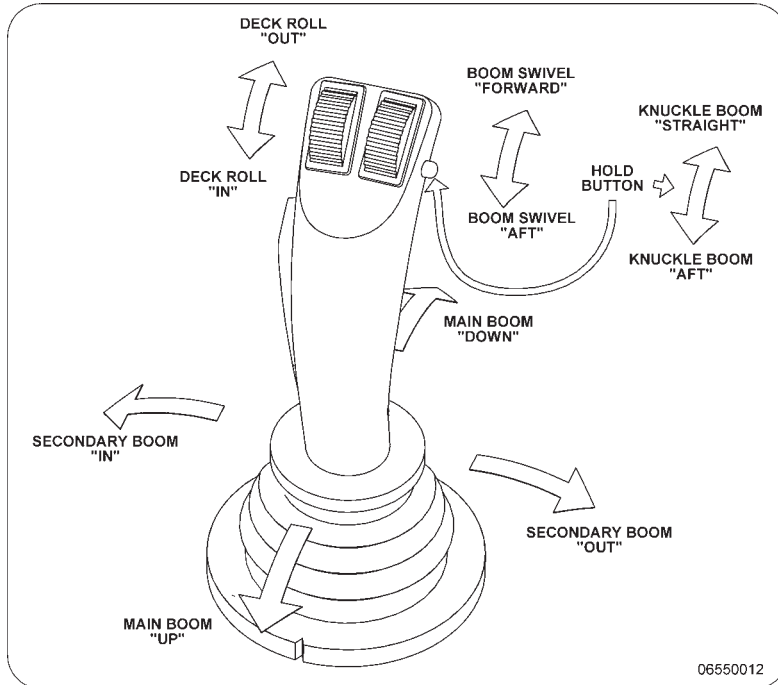
33224
MOWER DECK

Tiger™

33438
MAIN BOOM

SAFETY

PART NO.
LOCATION



06550012
INSIDE OF CAB

MOWING SAFETY TIPS

- 1 Read & understand the Operators Manual.
- 2 Wear Your Seat Belt.
- 3 Keep all shields and guards in place.
- 4 Make sure equipment is in proper working condition.
- 5 Never attempt to get off or on a moving tractor.
- 6 Never allow riders on tractor or equipment.
- 7 Only start the tractor from the seat with the key.
- 8 Always inspect the area before mowing. Remove all foreign debris.
- 9 Always keep bystanders and coworkers a minimum of 300 feet away.
- 10 Never allow the mower blades to contact solid objects or foreign material.
- 11 Never approach rotating elements.
- 12 Disengage the PTO, place transmission in "Park", set parking brake, shut off engine, and remove key and wait until all rotating motion has stopped before leaving seat.

Tiger

33743

33743
INSIDE OF CAB

SAFETY

PART NO.
LOCATION



RED 42399
REFLECTIVE TAPE
MOWER DECK



AMBER 4240006
REFLECTIVE TAPE
MOWER DECK



6T3217
MOWER DECK



6T3219
INSIDE OF CAB

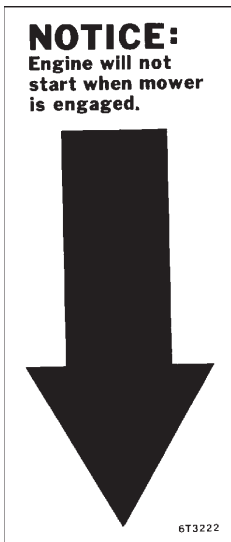
6T3220
FRONT PUMP MOUNT

SAFETY



PART NO.
LOCATION

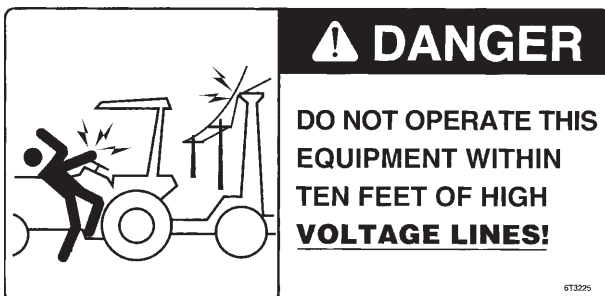
6T3221
INSIDE OF CAB



6T3222
INSIDE OF CAB

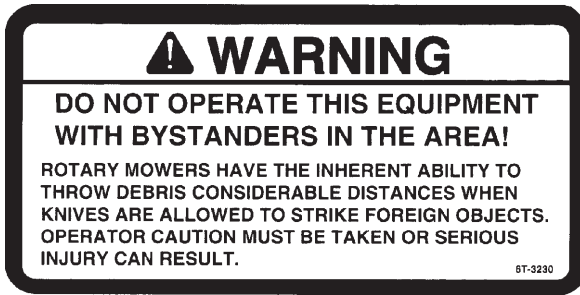


6T3224
MOWER DECK



6T3225
INSIDE OF CAB

SAFETY



PART NO.
LOCATION

6T3230
INSIDE OF CAB



6T3231
INSIDE OF CAB



6T3233
HYDRAULIC TANK



6T3234
INSIDE OF CAB



6T3236
MOWER DECK

SAFETY

⚠ WARNING

WHEN CUTTING HEAVY BRUSH,
BLADE BOLTS SHOULD BE
INSPECTED HOURLY AND
RETORQUED TO 600 FT. LBS.

6T-3237

6T3237

PART NO.
LOCATION
6T3237
INSIDE OF CAB

<p>DOWN ↑ MAIN BOOM ↓ UP</p> <p><small>06550008</small></p>	<p>OUT ↑ SECONDARY BOOM ↓ IN</p>	<p>OUT ↑ DECK ROLL ↓ IN</p>	<p>CLOSE ↑ SHIELD ↓ OPEN</p>	<p>FORWARD ↑ SWIVEL ↓ AFT</p>	<p>IN ↑ SWITCH / KNUCKLE ↓ OUT</p>
---	--	---	--	---	--

06550008
INSIDE OF CAB

<p>⚠ WARNING</p> <p>IT IS RECOMMENDED THAT THE BOLT AND LOCK NUT BE REPLACED WHENEVER BLADES ARE REPLACED. REPLACE THESE ANY TIME THEY ARE DAMAGED OR WORN AS FAILURE TO DO SO CAN LEAD TO BLADES COMING OFF CAUSING SERIOUS INJURY OR DEATH.</p>	<p>IMPORTANT</p> <p>• WHEN REPLACING BLADES, IT IS RECOMMENDED THAT ALL BLADES BE REPLACED FOR PROPER BALANCE TO AVOID EXCESSIVE VIBRATIONS WHICH CAN DAMAGE SPINDLE ASSEMBLY. • SEE YOUR OPERATOR'S MANUAL FOR PROPER INSTALLATION INSTRUCTIONS.</p> <p><small>6T-3243</small></p>
--	--

6T3243
INSIDE OF CAB

GREASING INSTRUCTIONS
CUTTER SHAFT BEARING

GREASE EVERY 8 HRS. OR DAILY

NOTE: If unusual environmental conditions exist-extreme temperatures, moisture, or contaminants-more frequent lubrication is required.

6T3249A

6T3249A
MOWER DECK

GREASING INSTRUCTIONS
GROUND ROLLER BEARING

GREASE EVERY 8 HRS. OR DAILY

NOTE: If unusual environmental conditions exist-extreme temperatures, moisture, or contaminants-more frequent lubrication is required.

6T3261

6T3261
MOWER DECK

SAFETY



TB1011
MOWER DECK



Tiger Corporation

800-843-6849
www.tiger-mowers.com

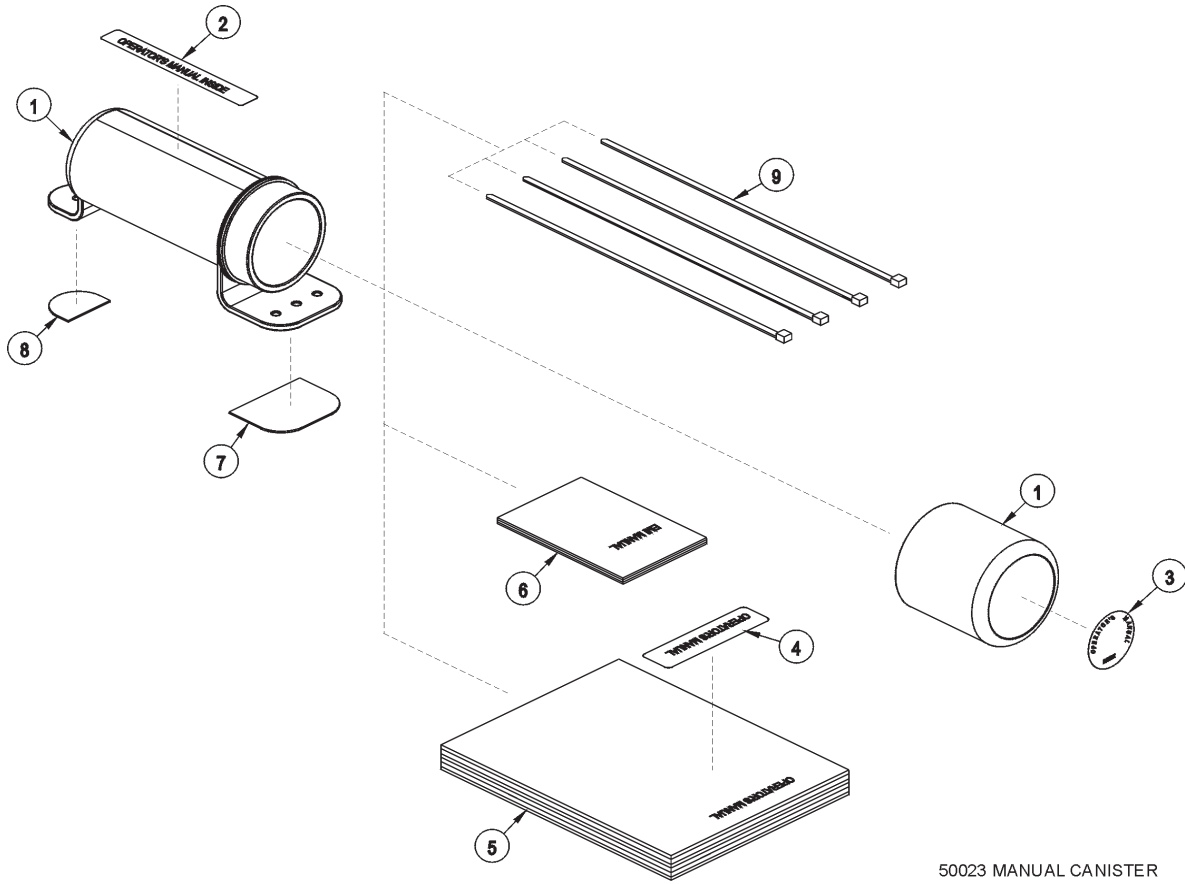
Description	Application	General Specification	Recommended Lubricant
Tractor Hydraulics	Reservoir	JD-20C	Mobilfluid® 424
Mower Hydraulics Cold Temperatures 0°F Start-up Normal Temperatures 10°F Start-up Normal Temperatures 15°F Start-up High Operating Temperatures Above 90°F Ambient	Reservoir	ISO 46 Anti-Wear/ Low Temp JD-20C ISO 46 Anti-Wear ISO 100 Anti-Wear	Mobil DTE® 15M Mobilfluid® 424 Mobil DTE® 25 Mobil DTE® 18M
Flail Rear Gearbox	Reservoir	PAO Synthetic Extreme Pressure Gear Lube	Mobilube SHC® 75W-90, Mobil 1 Synthetic Gear Lubricant
Cutter Shaft and Ground Roller Shaft (Flail)	Grease Gun	Lithium Complex, NLGI 2 ISO 320	Mobilgrease® CM-S
Drive Shaft Coupler (Rotary and Flail) Drive Shaft Yoke, U - Joint and Stub Shaft	Grease Gun	Lithium Complex, NLGI 2 ISO 320	Mobilgrease® CM-S
Boom Swivel, Boom Cylinder Pivots (Rotary and Flail Boom Type)	Grease Gun	Lithium Complex, NLGI 2 ISO 320	Mobilgrease® CM-S
Deck Boom Pivot & Deck Stop Adjustment (Rotary and Flail)	Grease Gun	Lithium Complex, NLGI 2 ISO 320	Mobilgrease® CM-S
Deck Spindle (Rotary)	Grease Gun	Tiger Spindle Lubricant	Tiger Part #25351

For Mobil product information, availability, or technical information, call 1-800-662-4525.

Tiger PN 34852

34852
HYDRAULIC TANK

SAFETY



ITEM	PART NO.	QTY.	DESCRIPTION
	50023	AVAIL	MANUAL CANISTER COMPLETE
1	00776031 33997	1 1	ROUND MANUAL CANISTER DECAL, SHEET, MANUAL CANISTER
2	*	*	DECAL
3	*	*	DECAL
4	*	*	DECAL
5	*	AVAIL	SPECIFIC PRODUCT MANUAL
6	33753	1	E M I SAFETY MANUAL
7	34296	1	FRONT ADHESIVE PAD
8	34297	1	REAR ADHESIVE PAD
9	6T1823	4	ZIP TIE 14" LONG

NOTE:

The manual canister can be bolted, zip tied or adhered to a variety of surfaces. Locate a protected area within the view of the operator. Then select an installation method and attach the canister. **CAUTION - AVOID DRILLING HOLES INTO UNKNOWN AREAS**, wires and other parts may be located behind these areas. When adhering the canister to a surface, thoroughly clean that surface before installing the canister.

SAFETY

FEDERAL LAWS AND REGULATIONS

This section is intended to explain in broad terms the concept and effect of federal laws and regulations concerning employer and employee equipment operators. This section is not intended as a legal interpretation of the law and should not be considered as such.

Employer-Employee Operator Regulations

U.S. Public Law 91-596 (The Williams-Steiger Occupational and Health Act of 1970) OSHA

This Act Seeks:

“...to assure so far as possible every working man and woman in the nation safe and healthful working conditions and to preserve our human resources...”

DUTIES

Sec. 5 (a) Each employer-

(1) shall furnish to each of his employees employment and a place of employment which are free from recognized hazards that are causing or are likely to cause death or serious physical harm to his employees;

(2) shall comply with occupational safety and health standards promulgated under this Act.

(b) Each employee shall comply with occupational safety and health standards and all rules, regulations and orders issued pursuant to this Act which are applicable to his own actions and conduct.

OSHA Regulations

OSHA regulations state in part: “At the time of initial assignment and at least annually thereafter, the employer shall instruct every employee in the safe operation and servicing of all equipment with which the employee is, or will be involved.”

Employer Responsibilities:

To ensure employee safety during Tractor and Implement operation, it is the employer’s responsibility to:

1. Train the employee in the proper and safe operation of the Tractor and Implement.
2. Require that the employee read and fully understand the Tractor and Implement Operator’s manual.
3. Permit only qualified and properly trained employees to operate the Tractor and Implement.
4. Maintain the Tractor and Implement in a safe operational condition and maintain all shields and guards on the equipment.
5. Ensure the Tractor is equipped with a functional ROPS and seat belt and require that the employee operator securely fasten the safety belt and operate with the ROPS in the raised position at all times.
6. Forbid the employee operator to carry additional riders on the Tractor or Implement.
7. Provide the required tools to maintain the Tractor and Implement in a good safe working condition and provide the necessary support devices to secure the equipment safely while performing repairs and service.

Child Labor Under 16 Years of Age

Some regulations specify that no one under the age of 16 may operate power machinery. It is your responsibility to know what these regulations are in your own area or situation. (Refer to U.S. Dept. of Labor, Employment Standard Administration, Wage & Home Division, Child Labor Bulletin #102.)

SAFETY

ASSEMBLY SECTION

ASSEMBLY

Before attempting to mount or service your Tiger mower, it is important to read and understand all of the information in the Safety section of this manual.

Check complete shipment list against the packing list to make sure there are no shortages. Make certain the tractor model is the appropriate one for the mower received!

CAUTION!

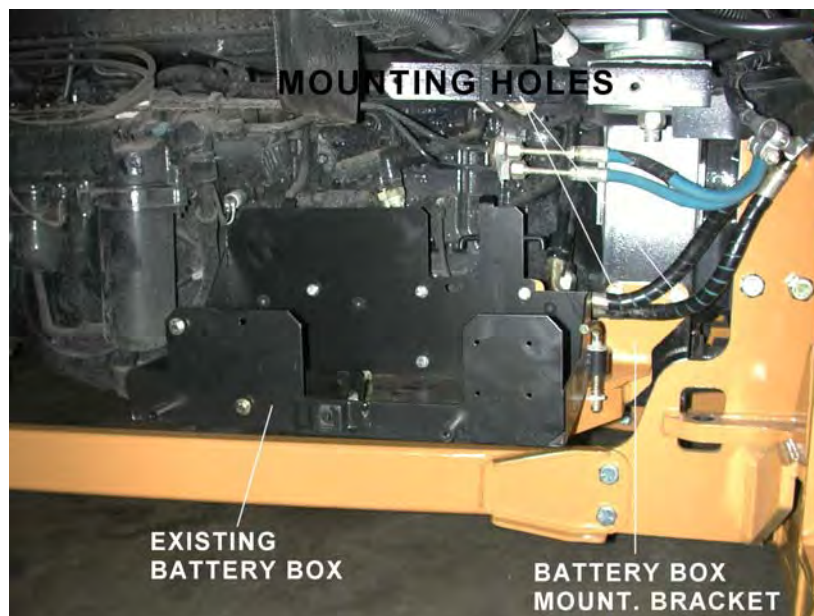


Use a floor jack, hoist or fork lift to lift or raise heavy parts whenever possible whether mentioned or not.

Read and understand the entire assembly section instructions before attempting to mount your Tiger mower. Refer to the parts section of this manual for detailed illustrations to locate all parts.

TRACTOR PREPARATION

- A: Remove right hand steps.
- B: Disconnect battery cables.
- C: Remove battery, battery box and existing bracket.
- D: Remove engine side panels, or raise hood to access front pulley.
- E: Remove plugs from tractor casting where main frame and pump mount will be attached.
- F: Install battery bracket supplied in the kit using existing hardware.



ASSEMBLY

CRANKSHAFT ADAPTER

If necessary remove the four cap-screws from the crankshaft pulley. Then install the crankshaft adapter and spacer to the pulley with cap-screws and lock-washers as shown in the parts section.

FRONT PUMP MOUNTING

Install the pump mounting bracket on the front of the tractor with cap-screws and lock-washers as shown in the parts section illustration. DO NOT tighten fasteners at this time.

Slide the pump drive shaft into the crankshaft adapter. The end with the shorter splines should be inserted into the adapter (if applicable).

Slide the splined drive shaft coupler onto the pump drive shaft. Install the pump onto the mounting bracket. NOTE: the shaft is offset to one direction, the pump should be installed with the offset side on top. Install hardware for securing pump to the pump mount, DO NOT tighten.

Align pump so that splined coupling can be moved back and forth by hand. Tighten pump mounting bolts in succession rechecking for spline coupling movement. Remove the pump mounting bracket bolts one at a time and apply a thread locking agent. Tighten these bolts in succession, again checking for free movement in the drive shaft. After all bolts are torqued, the end play on the drive shaft should be 1/16" to 1/8", and coupler should move freely with hand pressure. If end play is less than 1/16", grind the end of the shaft to achieve the proper end play. If there is more than 1/4" of end play, return the shaft with specifications for a longer shaft.

CAUTION: DO NOT START THE TRACTOR UNTIL ALL HOSES ARE ATTACHED, TANK IS FILLED WITH PROPER OIL AND BALL VALVES ARE OPEN! STARTING AT THIS TIME WILL CAUSE SERIOUS DAMAGE TO THE PUMP.

ADJUSTING REAR WHEELS

Raise rear of tractor onto jack-stands. **Follow the instructions in the tractor owners manual for adjusting tires and rims** to 72" center for side mounted mowers and 79.8" for boom mowers. NOTE: This may require switching the wheels to opposite sides of tractor.

MAIN FRAME MOUNTING

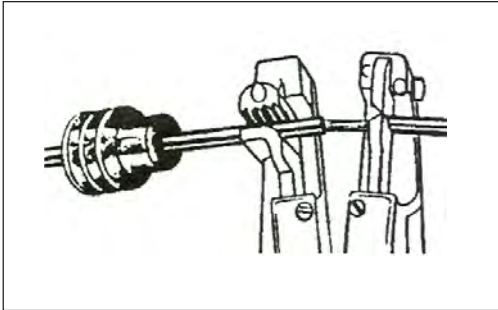
Raise front of tractor as needed and slide the main frame under tractor from right hand side. With an overhead hoist and / or jack-stands, raise the frame up to the correctly matching mounting holes. Install spacer blocks and shims as needed. Install cap-screws and all other hardware as shown in main frame parts section. Remove the cap-screws one at a time and apply a thread locking agent, then reinsert the cap-screws and tighten / torque to values noted in the torque chart located in the maintenance section of this manual.

ASSEMBLY

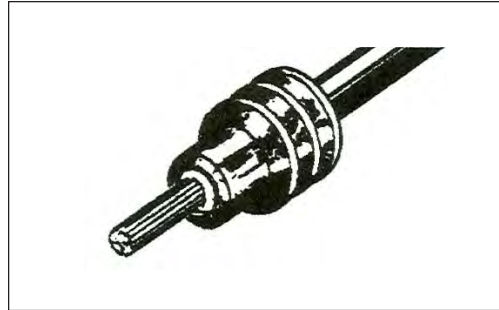
WEATHER-PACK/METRI-PACK ASSEMBLY

These instructions apply to both Weather-Pack and Metri-pack connectors.

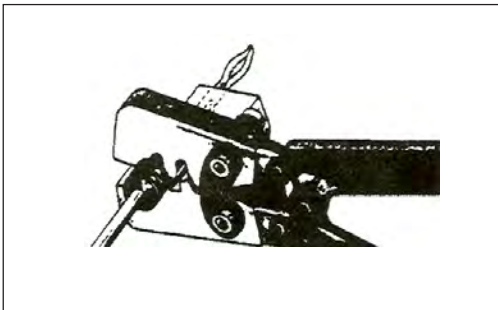
NOTE: Use the specific tool for the type of connector you are assembling.



1. Apply seal to cable, before stripping insulation.



2. Align seal with cable insulation.



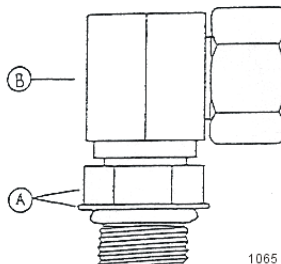
3. Put terminal in crimping tool, then position wire and seal in place.



4. Crimp and visually inspect for a good crimp before installing in connector body.

INSTALLING O-RING FITTINGS

Installing straight, 45 degree and 90 degree O-ring fittings requires that the O-ring, washer and nut (A) be up against the swivel body (B). Insert the swivel and turn in until the swivel is pointed in the right direction and the O-ring contact is made. Hold swivel in set direction with a wrench and turn the O-ring nut away from the swivel body and carefully tighten.



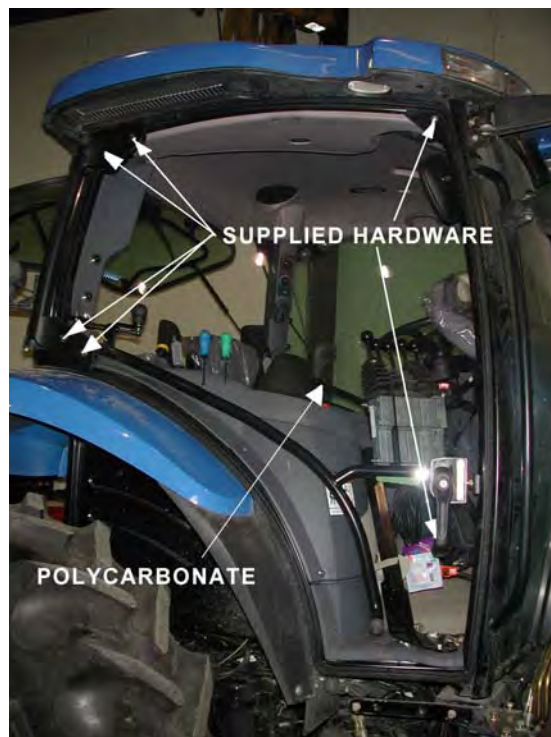
1065

ASSEMBLY

POLY-CARBONATE SAFETY WINDOW

NOTE: This should be done before mounting the main frame.

1. Disconnect gas shock at door. Remove the right side cab door from tractor cab by removing hinge pins.
2. Remove the existing hardware and discard factory glass door.
3. Place small bead of adhesive seal in the bottom of the trim lock bubble bead.
4. Install trim lock bubble seal on polycarbonate starting at the center bottom horizontal portion.
5. Install existing hardware removed from glass door on the polycarbonate.
6. Install the polycarbonate assembly in the cab with existing and supplied hardware.
7. Press polycarbonate into place at upper front corner.
8. Then drill $3/16$ " pilot hole through polycarbonate and corner gusset of door jam.
9. Locate hole $1-1/4$ " from the edge of the lower rounded feature of the corner gusset and center it from each end. Then drill out hole in polycarbonate with $15/32$ " diameter bit that is **ONLY** used for polycarbonate.
10. Drill out hole in gusset with $3/8$ " diameter bit for steel.
11. Install the poly door into place where factory door was removed (upper right rear first). Refer the parts section for the details.
12. Install grommet into hole in polycarbonate. Then install supplied $1/4$ " nut into corner gusset.
13. Secure upper right corner with supplied washer and capscrew. Refer to Parts section for the details.



Assembly Section 2-5

ASSEMBLY

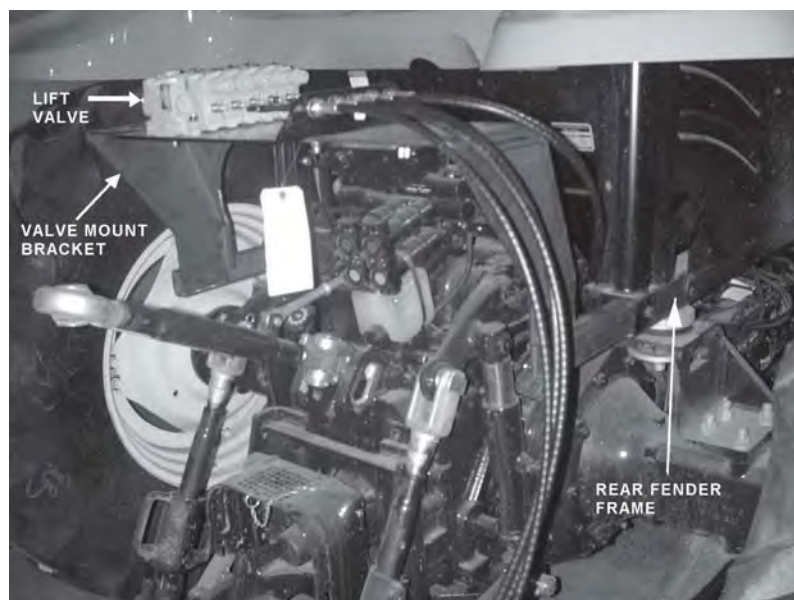
LIFT VALVE MOUNT

Drill a $\text{Ø}9/16$ " hole in the fender frame tube of the tractor $3/4$ " back of the existing hole (away from cab). Install the right valve mounting bracket to the inside of the right fender frame tube as shown below and attach it with hardware listed in the parts section of this manual. Repeat these steps for the left valve mounting bracket.



Align the valve mounting plate with the drilled holes. Mark the center of one of the holes above and in line with the slotted holes in the valve plate. Do not use any holes that will be used to mount the valve on the plate.

Mount the lift valve with the supplied hardware. Refer the parts section for the details.



ASSEMBLY

HOSE AND CABLE ROUTING

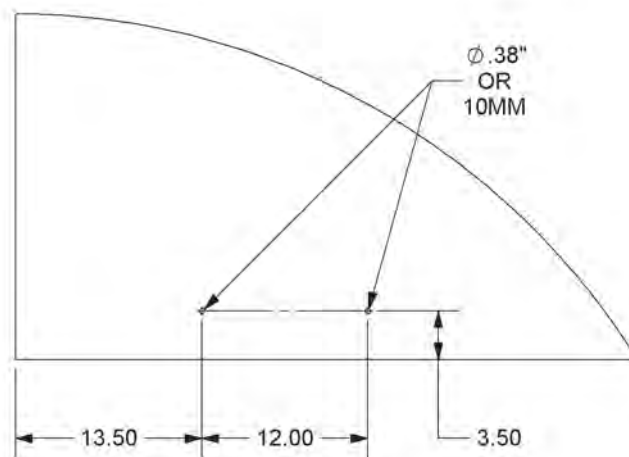
Attach two clamps to the right rear wheel well for proper hose/cable routing. Drill one hole for each clamp. Use the lower rear corner of the wheel well as an origin for measuring. The holes should be 10mm or 3/8" reamed to accept 3/8" hardware.

Measure from the back edge of the wheel well 13-1/2" from the origin. Use a square to measure 3-1/2" up. Refer to the image below to see the first hole.

The second hole should run parallel to the bottom edge of the wheel well. Mark the hole 12" from the first hole and 3 1/2" from the bottom edge. Use the image below for reference.

NOTE: DO NOT CUT INTO TUBES / HOSES / WIRES WHEN DRILLING THROUGH METAL OR PLASTIC!

RIGHT REAR FENDER



Place as many hoses in the clamp that will fit without compromising pressure. Then secure the (2) HOSE CLAMP (06520013) to the holes drilled with (1 EACH) CAPSCREW, 3/8" X 1", NC (21630) and (1 EACH) NYLOCK NUT, 3/8", NC (21627). The hoses that don't fit into the clamp are to be secured to the others with zip-ties. For protection of hoses in contact with metal edges, wrap hoses with spit hose sections and fasten with hose clamps or zip ties as needed.

ASSEMBLY

CABLE CONTROL LEVER STAND

Place the front edge of the support bracket 2 $\frac{3}{4}$ " back from the lower right front window. Rotate stand to be 2 $\frac{1}{4}$ " from the right door frame as shown below. Be sure that the location of the stand will allow clearance between the cable control handles and all existing interior levers, etc.

Drill 3 holes to match control bracket and secure with cap-screws and nylock nuts noted in parts section.

Cut a 2 $\frac{1}{4}$ " hole in the floor from inside the cab. This hole is to be located 2 $\frac{1}{2}$ " away from the edge, and 4" from the metal edge by the right door. Install trim lock around the metal edges of the hole, then route the cables through the hole. Next, wrap the cables with the 6" split hose at the point they pass through the hole, and secure with zip-ties.



GENERAL HOSE INSTALLATION

Refer to the parts section for detailed information about hoses and fittings for this application.

When mounting the suction hose between the pump and the tank, the stainless steel bands that are provided must be used. **CAUTION: DO NOT** use regular hose clamps for this purpose.

For protection of hoses in contact with metal edges, wrap hoses with spit hose sections and fasten with hose clamps or zip ties as needed.

ACCUMULATOR INSTALLATION / PLUMBING

Install the accumulator bracket on top of the main frame mast with the capscrews and lockwashers shown. Install the accumulator in the bracket and secure with the hardware shown. Install the tee on the accumulator and the hose from the accumulator to the gland on the main boom cylinder. Install hose from accumulator to the control valve.

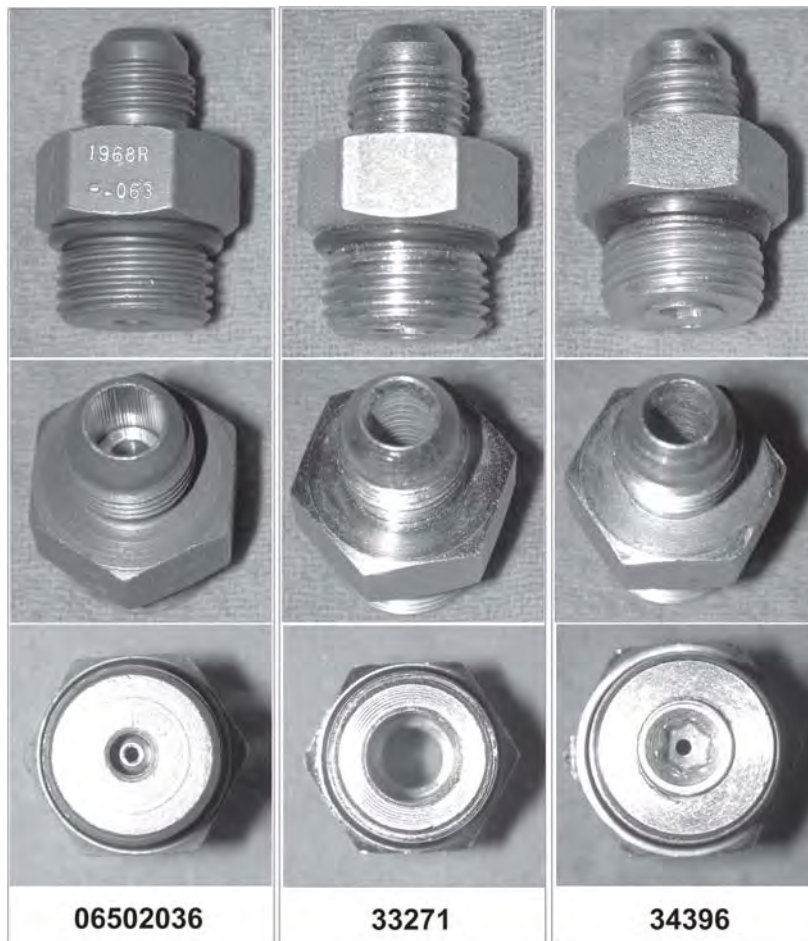
ASSEMBLY

SWITCH BOX MOUNTING (JOYSTICK)

Locate the 2 holes in the right front corner of the cab frame. These will be the mounting holes for the 2 mounting bolts of the switch box bracket. Mount the bracket using the hardware supplied, as noted in the parts section.

NOTE ON HUSCO CONTROL VALVES

Manual, cable controlled (Husco control valve) boom mowers require check valves with integral restricting orifice (#06502036) installed in the control valve work ports that are connected to the gland ends of the main and secondary boom cylinders. This check valve allows oil to free flow into the gland end of the main and secondary boom cylinders, but restricts flow out of the cylinder, thereby providing proper boom control. This check valve, #06502036 is similar in appearance to hose adapter #33271. These components can be identified as follows, and are to be installed per parts section for the lift valve.



ASSEMBLY

SWITCH BOX WIRING

Refer to the Parts section for wiring diagrams. Remove top instrument panel (tach, and hour meter) for access to the wires.

Route the red and green wire from the switch box wires from the switch box to the bottom right corner of the instrument panel near window. Connect the red wire to the white wire. ("hot" when key is in "on" position)

NOTE ONLY FOR ELECTRONIC VALVE: +12 VOLTS ELECTRICAL POWER MUST BE TAKEN FROM A SOURCE LOCATION WHERE IT IS LIVE ONLY WHEN THE IGNITION SWITCH IS IN THE "ON" POSITION. THIS WIRE MUST BE FUSED AT THE SOURCE LOCATION.

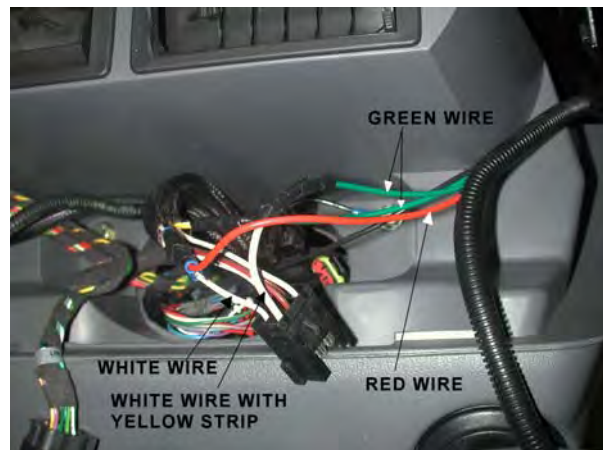
Route the white wire to connected the hydraulic solenoid valve.

The switch box is to be secured to the operators side of the control handles, or valve stand.

The green wires will connect to the neutral safety switch wires (white with yellow stripe), under the cowl panel.



BEFORE WIRING



AFTER WIRING

HYDRAULIC TANK INSTALLATION

Install all fittings and tubes into tank and tank filter as shown in parts section illustration. Install the temperature sensor / sight gauge into back side of the tank. And attach the tank mount to the main frame with the hardware shown in the parts section.

Place the tank in the mounting bracket on the main frame as shown in the parts section. Secure the tank with the tank channel mount by placing the channel mount on top of the tank and the washers over the holes. Thread the tie bolts through the washers and holes to the threaded holes on the main frame. Tighten the tank channel mount by using the hex heads on the end of the tie bolts.

Install the filter gauge into the filter housing so that it points to the rear of the tractor and is clearly visible to the operator. Locate the tank breather and reducer bushing (bushing may be already installed in the tank along with many of the for-mentioned parts). These will be installed after tank is filled.

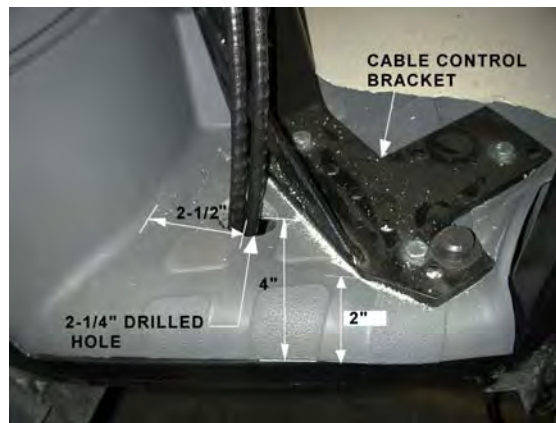
ASSEMBLY

JOYSTICK MOUNT STAND

Mount the joystick stand mount in the same position as the cable control bracket. Place the front edge of the support bracket $2\frac{3}{4}$ " back from the lower right front window. Rotate stand to be $2\frac{1}{4}$ " from the right door frame as shown below. Be sure that the location of the stand will allow clearance between the joystick and all existing interior levers, etc.

Drill 3 holes to match control bracket and secure with cap-screws and nylock nuts noted in parts section.

Cut a $2\frac{1}{4}$ " hole in the floor from inside the cab. This hole is to be located $2\frac{1}{2}$ " away from the edge, and 4" from the metal edge by the right door. Install trim lock around the metal edges of the hole, then route the cables through the hole. Next, wrap the cables with the 6" split hose at the point they pass through the hole, and secure with zip-ties.



LOAD SENSE HOSE ROUTING

The lift valve uses the Pressure, Return and Load Sense on the tractors rear remotes. The ports used are directly under the valve mounting plate.

The pressure hose is routed from the tractor remotes to the inlet port of the HP Filter on the valve mounting bracket. Then, the outlet port of the HP Filter to the pressure port on the lift valve.

The return hose runs from the return port of the lift valve to the tractor remotes.

The load sense line is routed from the load sense port of the lift valve to the load sense port on the tractor rear remotes.

For more information refer to the Parts Section pages for a complete diagram of the tractor valve hookup.



ASSEMBLY

NEW HOLLAND PRIORITY VALVE USED ON DELTA & VALUE UNITS (HUSCO)

The Delta and Value units need a NH priority valve plug in the tractor rear remotes for the proper hydraulic flow. Torque the body to the plug first to 94Nm and then the small end to 15Nm. The ports used are directly under the valve mounting plate. The illustration below shows these ports are in a row. From left to right the ports are used for "return from Husco valve", "plug to allow activation of the next two ports", "return from PB port on Husco valve" and "pressure to HP filter".

The pressure hose is routed from the tractor remotes to the inlet port of the HP Filter on the valve mounting bracket. Then, the outlet port of the HP Filter to the pressure port of the lift valve.

The power beyond line is routed from the port on the Husco valve to the power beyond port on the tractor rear remotes.

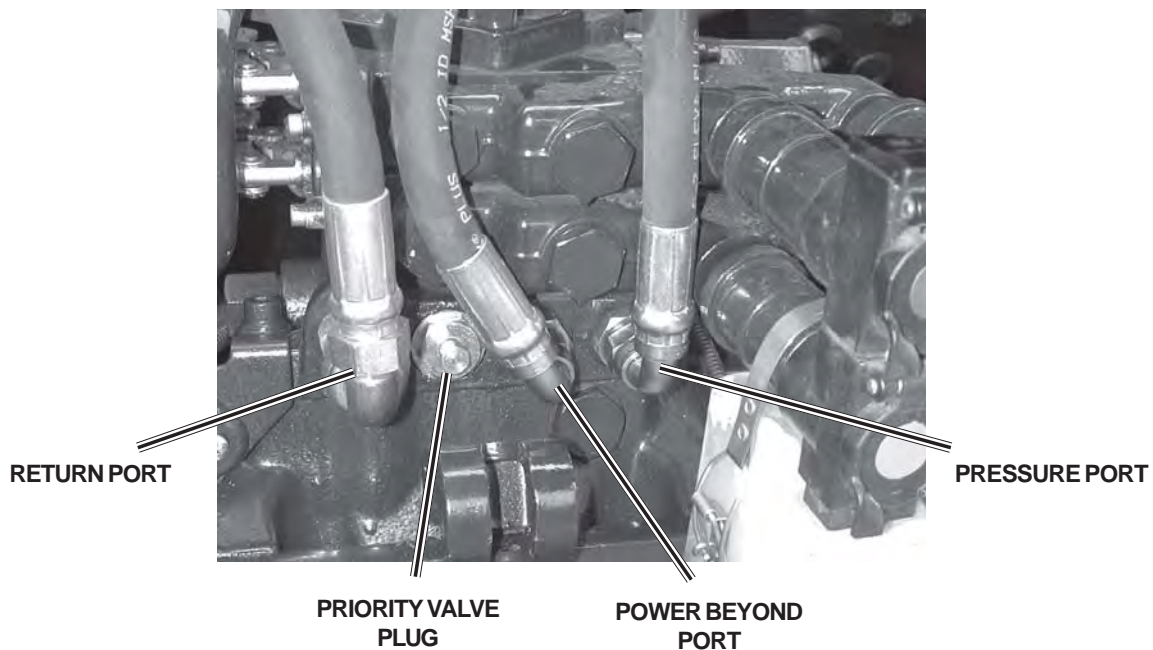
The return hose runs from the return port of the Husco valve to the tractor remotes.

For more information refer to the Parts Section pages for a complete diagram of the tractor valve hookup.

**NEW HOLLAND TRACTOR REMOTE
PRIORITY VALVE PLUG**



NEW HOLLAND TRACTOR REMOTES



Assembly Section 2-12

ASSEMBLY

DANFOSS PRIORITY VALVE USED ON DELTA & VALUE UNITS

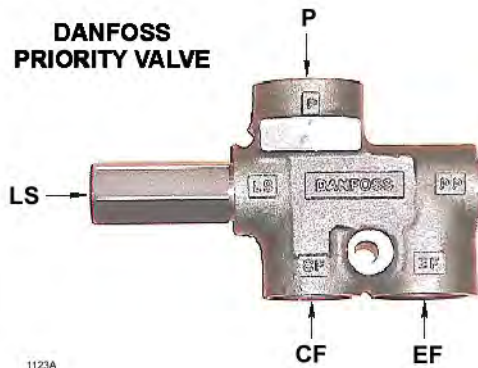
The DanFoss lift valve needs a priority valve and a NH priority valve plug in the tractor rear remotes for the proper hydraulic flow. Torque the body to the plug first to 94Nm and then the small end to 15Nm. The ports used are directly under the valve mounting plate. The illustration below shows these ports are in a row. From left to right the ports are used for "return from Danfoss valve", "plug to allow activation of the next two ports", "return from EF port on priority valve" and "pressure to valve".

The pressure hose is routed from the tractor remotes to the inlet port of the HP Filter on the valve mounting bracket. Then, the outlet port of the HP Filter to the "P" port of the Danfoss priority valve. The Danfoss lift valve is fed through the pressure hose from the "CF" port to the pressure port of the lift valve.

The load sense line is routed from the load sense port of the Danfoss valve to the "LS" port of the priority valve. The power beyond hose is routed from the "EF" port of the priority valve to the tractor remotes.

The return hose runs from the return port of the Danfoss valve to the tractor remotes.

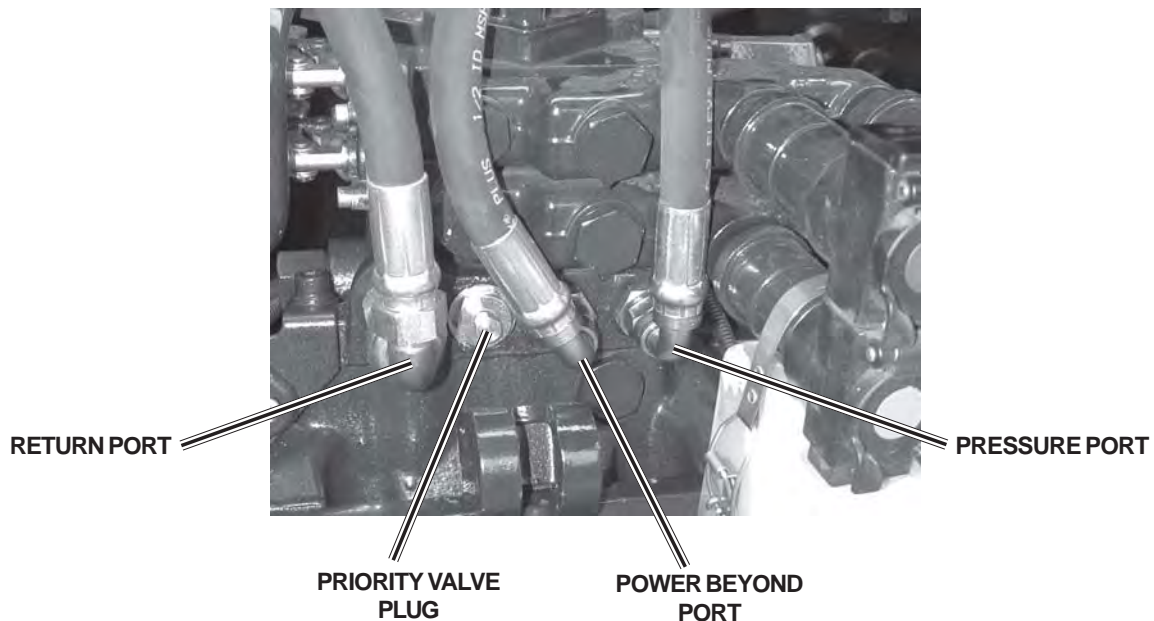
For more information refer to the Parts Section pages for a complete diagram of the



NEW HOLLAND TRACTOR REMOTE PRIORITY VALVE PLUG



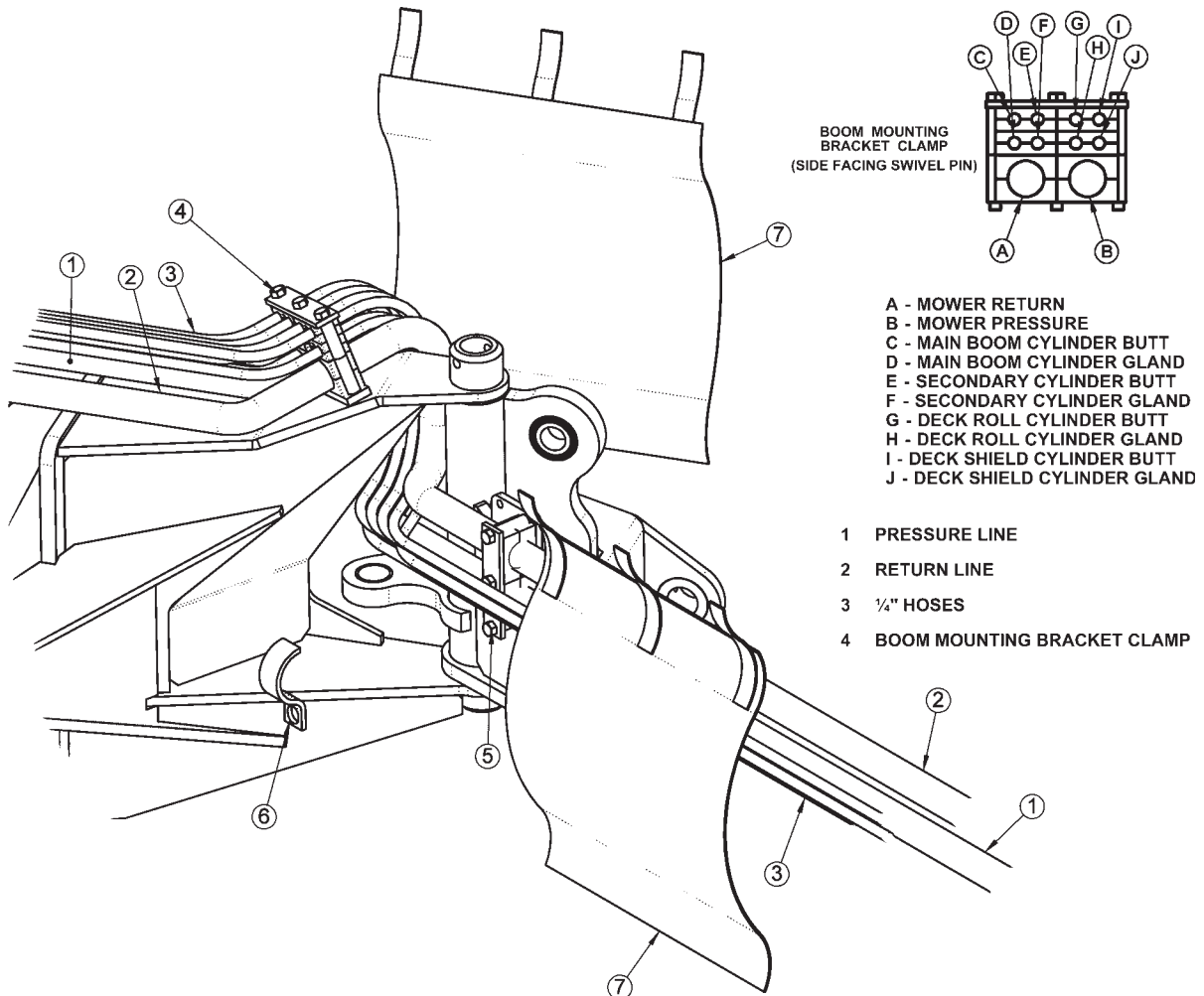
NEW HOLLAND TRACTOR REMOTES



ASSEMBLY

BENGAL BRUTE HOSE ROUTING

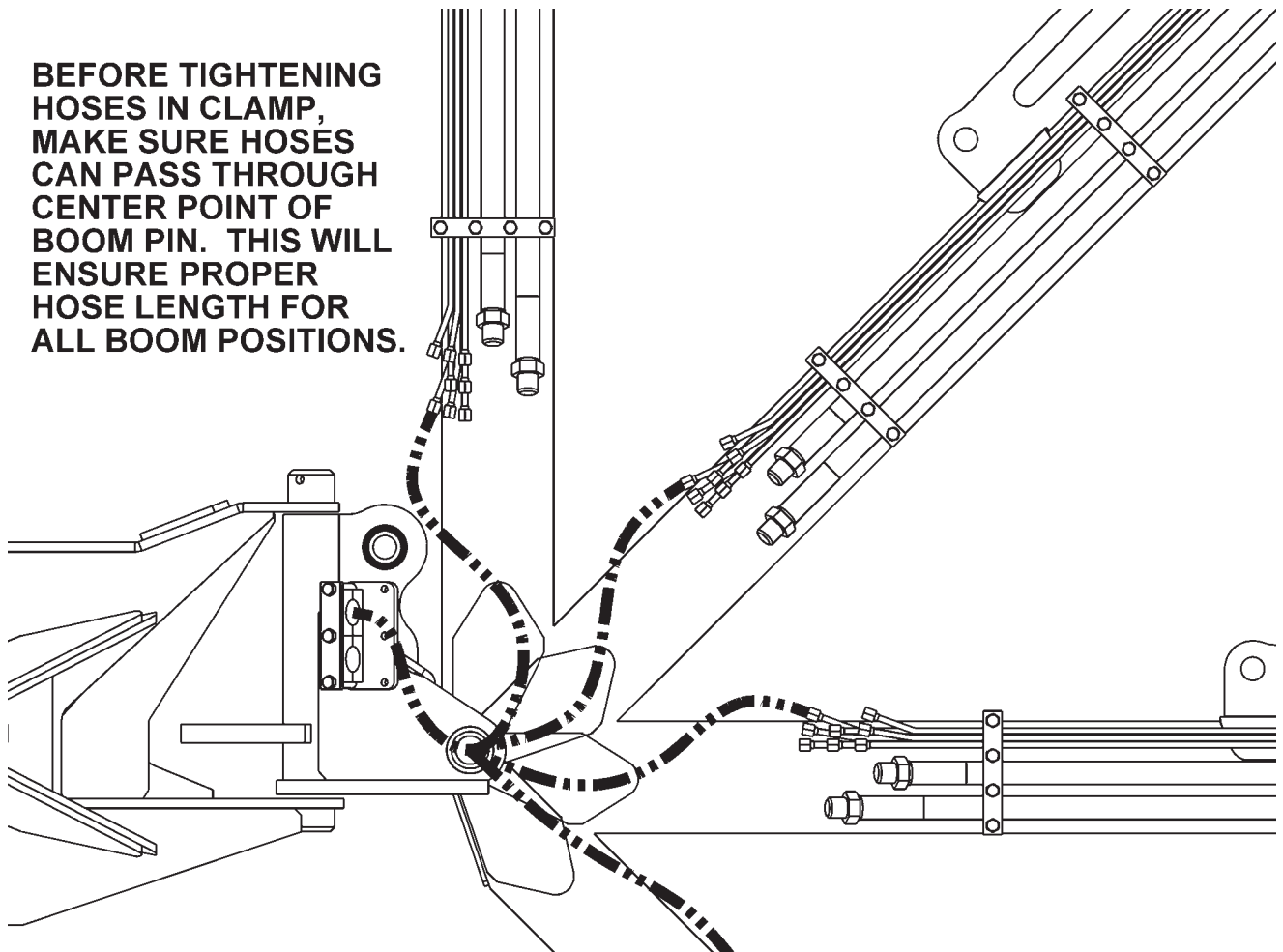
WARNING NOTE: The sudden release of hydraulic pressure could cause the sudden movement of very heavy parts. Anyone in the way of these parts could be severely hurt or killed. DO NOT ALLOW these hydraulic hoses to BREAK or BURST in order to prevent hydraulic failure. Make sure the hoses do not pinch or stretch as boom moves. Measure TWICE, check TWICE then proceed with caution.



Route the hoses through the space between the swivel and the boom mounting bracket. Connect the hoses to the preformed tubes and move the boom arm to a few feet from full forward. Assemble the swivel clamp and place the return hose for the motor on top and the pressure line on the bottom. Place the 1/4" hoses in the "C" clamp and add it to the bottom screw of the swivel clamp. Next, make sure there is enough slack for all hoses to pivot at the joint where the main boom arm bends in the swivel, as shown in the next image, and tighten the hoses in the clamp.

ASSEMBLY

BEFORE TIGHTENING HOSES IN CLAMP, MAKE SURE HOSES CAN PASS THROUGH CENTER POINT OF BOOM PIN. THIS WILL ENSURE PROPER HOSE LENGTH FOR ALL BOOM POSITIONS.

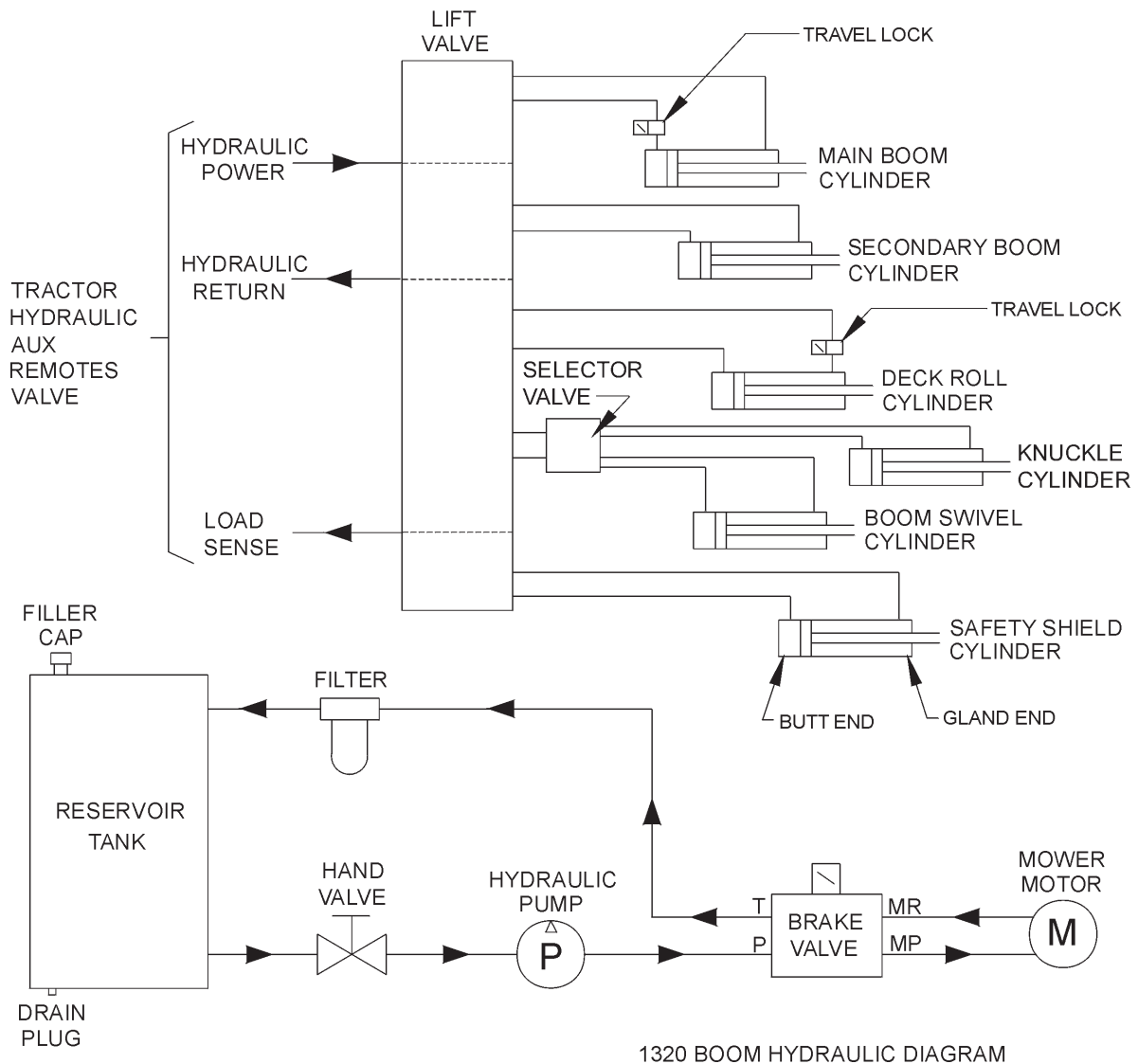


Arrange the hoses in the clamp that attaches to the boom mounting bracket as shown above, with the 1" motor hoses closest to the bracket and the return hose closest to the boom arm. Pull the hoses snug from the swivel to the mounting bracket clamps, when main boom is still forward, and tighten the hoses in the clamp.

Make sure the 1" motor hoses do not kink as the boom arm is moved into the stowing position. If this happens the motor hoses will have to be shortened, because there is too much hose between clamps.

ASSEMBLY

REAR STOW BOOM HYDRAULIC DIAGRAM



TEMPERATURE GAUGE MOUNTING

(OPTIONAL)

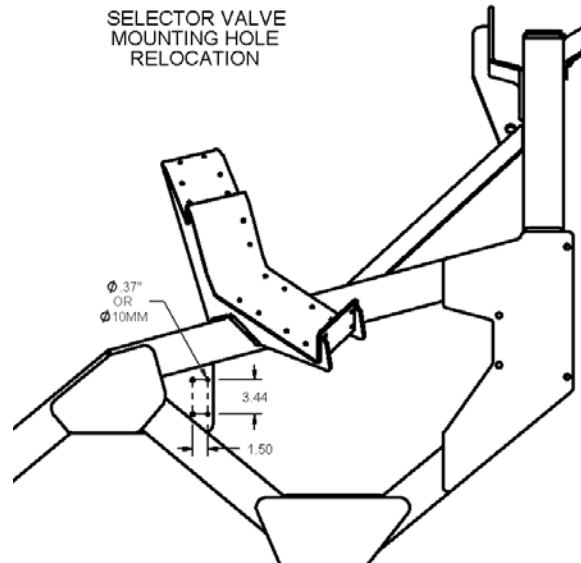
Mount the temperature gauge where it is clearly visible to the operator. Attach the green (-) wire from the negative post on the gauge to a grounded bolt on the tractor frame. Remove paint if needed to make a good ground.

Remove the pipe plug from the side of the hydraulic reservoir, and install the temperature sensor using thread sealing tape. Run the white wire from the (S) sensor post of the gauge to the temperature sensor on the hydraulic reservoir tank.

ASSEMBLY

SELECTOR VALVE RELOCATION

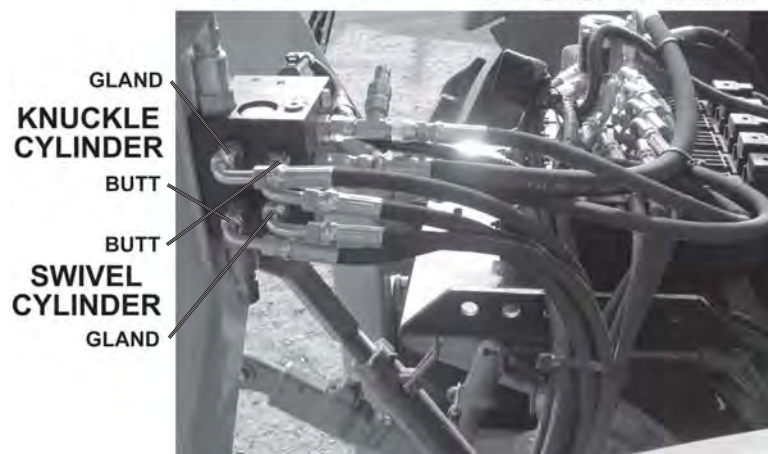
Drill a set of $\text{Ø}3/8$ " or $\text{Ø}10\text{MM}$ holes 1-1/2" to the right of the existing holes on the Leagal Rear Stow Boomrest. Install the selector valve using the hardware provided as shown in the parts section of this manual.



SELECTOR VALVE INSTALLATION

The selector valve is attached to the boom rest as noted above. The 1/4" hoses from the swivel section of the lift valve are plumbed to the "A" and "B" ports on the selector valve. A run tee is added to the return section of the lift valve. Attach the 1/2" hose from the "T" port of the selector valve to the run tee as shown in the parts section. 1/4" hoses are attached to the "A1", "A2", "B1" & "B2" ports on the selector valve to the knuckle cylinder and swivel cylinder (as shown below and in the parts section.)

FROM SWIVEL SECTION
ON LIFT VALVE RETURN TO VALVE



ASSEMBLY

GREASELESS BEARING INSTALLATION

It is recommended that grease is to be applied to the bore to aid in insertion of the greaseless bearing.

Assembly

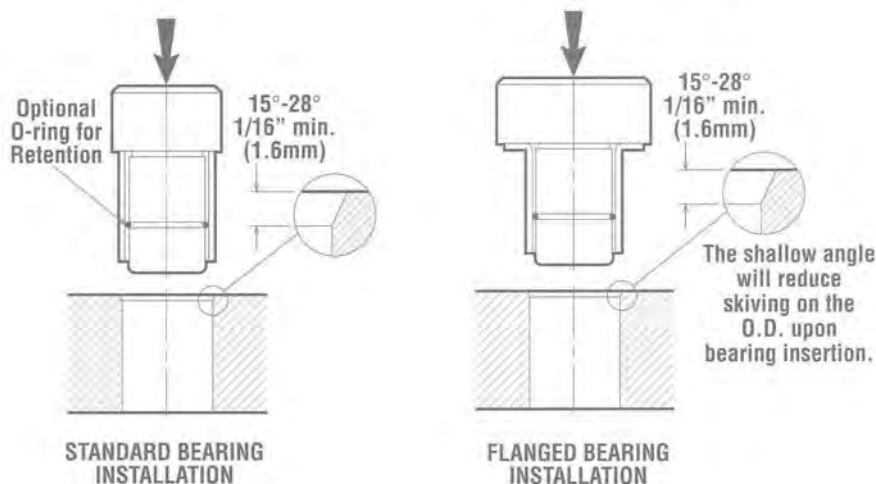
When a PolyLube™ bearing is press fit into a housing, it expands into the housing and creates a highly loaded press fit condition. This is possible because of the elastic properties of the bearing's backing material. Press fits on wall thicknesses up to 1/8" have demonstrated

that the close-in ratio is one-to-one (0.001 press yields a 0.001 close in). However, press fits should be minimized, even though the tube will readily take presses of 0.004" to 0.005". The use of a standard H7 housing bore is also recommended.

Due to thermal lag, the bearing wear surface may be hotter than the adjacent housing, when heat is generated from running friction. As a result, the installed bearing may expand inward, reducing the shaft clearance. For optimum performance, Polygon recommends a smooth, hardened steel shaft with a 16 micro finish. However, PolyLube's rugged bearing surface will permit use of a rougher finished shaft, such as a standard drill rod, if the bearing to shaft clearance is increased. (See Part # listings for recommended shaft clearances).

Shaft clearances should be increased for dry running applications with high rubbing velocities. Fluid cooling and lubricants will reduce the operating temperatures, permitting tighter shaft clearances. Heat transfer through the bearing wall is inversely proportional to the wall thickness. The thinner the wall, the greater the transfer of heat. Thermal conductivity, for example, is 1.8 to 2.3 Btu • in/(hr • ft² • °F).

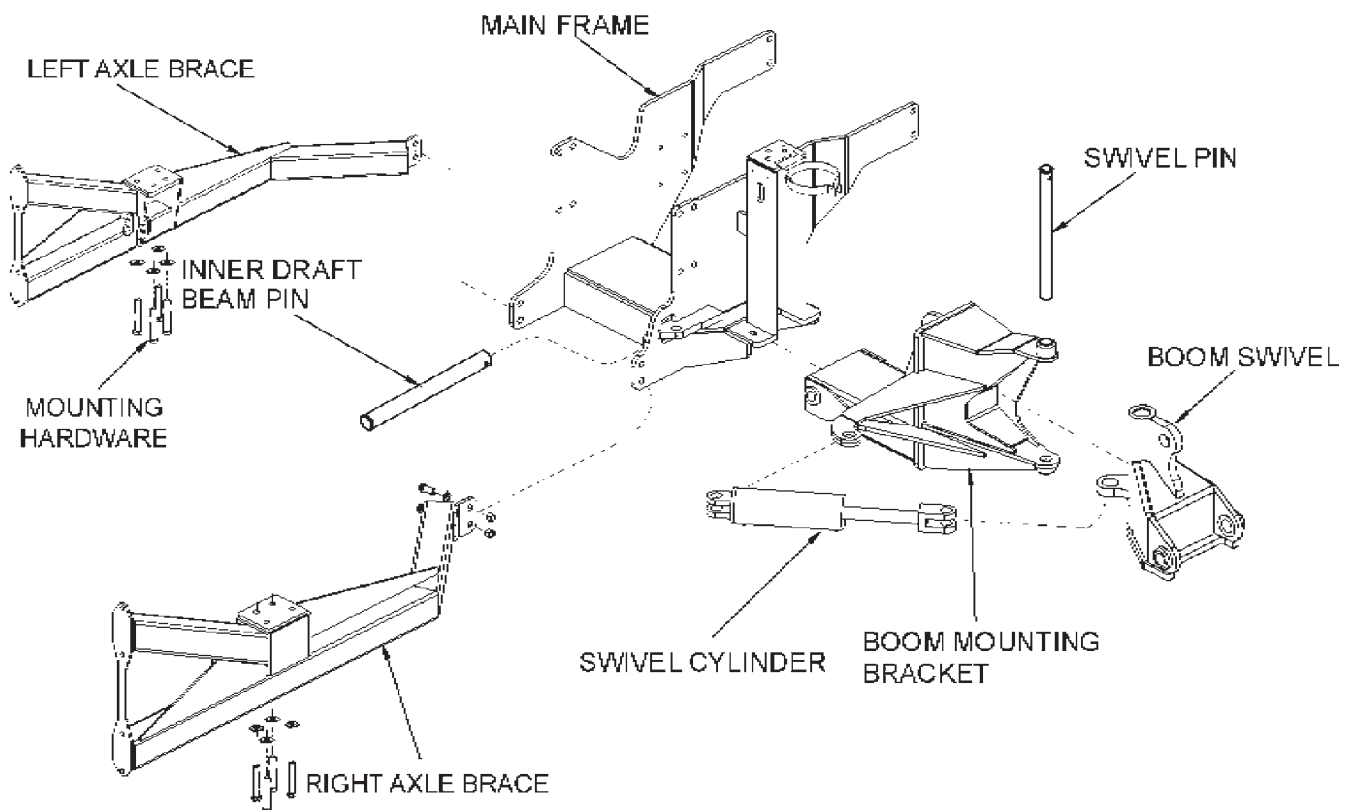
Typical installation tools are illustrated below:



ASSEMBLY

AXLE BRACE MOUNTING

The axle braces are to be mounted under the rear axle of the tractor. The other end of the axle brace mounts to the lower rear corners of the main frame. After attaching the boom rest, it should fit tightly and level under the tractor. Attach the right and left axle brace to the main frame with hardware shown in the parts section and tighten. Attach the axle braces to the rear axle using the mounting hardware shown in the parts section, but DO NOT tighten.



BOOM REST MOUNTING

Carefully raise the boom rest and align the holes with those of the axle brace. Now install all attaching hardware as shown in the parts section loosely, to allow for the alignment with the left and right axle brace. Tighten / torque all hardware on the axle braces and the boom rest. If mounting the 60" rotary head, attach the additional stop to the lower resting position as shown in the parts section. Finally, add the rest strips to the boom rest as shown in the parts section.

ASSEMBLY

BOOM MOUNTING BRACKET

Using a floor jack and / or a hoist, raise the boom mounting bracket up to level and slide the bracket into position onto main frame as shown in parts section.

Install pin through main frame and bracket. Secure with cap-screw, lock-washer and hex nut through boss on main frame as shown.

Secure mounting bracket to main frame with the cap-screws, lock-washers, flat-washers, cut flat-washers and hex nuts provided. Secure using the two slotted holes on the bracket and main frame.

SWIVEL BRACKET MOUNTING

Install the boom swivel bracket onto the boom mounting bracket with the swivel pin. Secure the pin in place using the capscrews, etc. through the hole in the boss and pin. NOTE: The head of the capscrew must be toward the front of the tractor.

Install all new swivels and fittings on the swing cylinder with swivel openings facing each other. Fittings will vary in type and direction depending on your application, refer to your parts section for more details.

Install bearings in the main frame anchor for the swing cylinder. This may already be done for you.

Install the swing cylinder between the boom mounting bracket cylinder anchor and the boom swivel with the pins. Insert roll pins through the top and the bottom hole in the pins.

Now the hoses can be attached from the control valve to the swing cylinder.

PREFORMED TUBE INSTALLATION

Lay booms on floor so the side with the nuts welded on is up. If mounting a ditcher head, only the main boom tube installation is required. Locate all tube clamps and install them loosely in the welded nuts on the left side of the booms.

Arrange the tubes and hoses as outlined in the parts section diagram. Install the smaller tube closest to the boom arm, being careful not to pinch the tubes. Place the large tubes outside of the small tubes. Snug all clamp bolts, but do not tighten. Check all tubes for correct alignment and that none are pinched or bent. The clamp bolts can now be tightened.

SOLENOID BRAKE VALVE

Install a solenoid valve mounting bracket with the supplied hardware. While installing fittings to the brake valve, the electrical coil on the spool must be removed to make room. When reinstalling the coil, it is important to use no more than 5 ft. lbs. (or 60 in. lbs.) torque. Over torque to the coil will result in hydraulic failure of spool.

ASSEMBLY

MAIN BOOM INSTALLATION

Attach the inner end of the main boom to the swivel bracket with the cylinder anchors mounting upward, and at a right angle to the tractor. Secure it with the horizontal hinge pin. Secure the hinge pin in the boss with capscrews, etc. (see parts section).

Attach the butt end of the cylinder to the swivel bracket anchor with the special "bracket head" cylinder pin and roll pin shown in parts section.

Install the fittings and hoses to the main boom cylinder. Install the travelock on the rod end of the main boom cylinder. These should be facing the butt end of the cylinder after installation.

GREASELESS BEARINGS ARE DARK GRAY AND SHOULD NEVER BE GREASED. THE MAIN BOOM CYLINDER AND THE SECONDARY CYLINDER ARE NOT GREASELESS AND NEED TO BE GREASED.

SWITCHING SIDE MOUNT TO BOOM ARM

If you are changing over from a side mounted mower you must first close the ball valves and remove the motor hoses from the motor to the solenoid valve. Also remove and replace any fittings that do not match the ones shown in the parts section diagram.

Next, disconnect all hoses from the control valve. Remove the pin that connects the lift cylinder to the mast on the main frame. Remove the inner draft beam pin.

At this point the mower should be loose from the tractor.

Remove the two spool valve and mount the four spool valve for the boom according the diagram in the parts section. Also refer to the parts section for the new hoses that will need to be used.

DECK ATTACHMENT

The pivot assembly is used to attach the head to the secondary boom. Install the deck pivot cylinder using the pins and hardware, which is illustrated in the common section.

Connect the fittings and hoses from the pivot cylinder to the small preformed tubes on the boom arm. Connect the fittings and hoses from the motor to the large preformed tubes on the boom arm. Connect all remaining hoses from the control valve to the cylinders and / or preformed tubes on the boom arm. Refer to common section for diagrams.

ASSEMBLY

HOSE COVERING

Secure hoses together with zip ties wherever loose. Wrap the hoses with the hose covers as illustrated in the parts book. Where hoses may contact the frame or other edges, wrap with split hose and secure with hose clamps or zip ties. On non cab units the pressure and return hoses from the control valve will also need to be routed inside the protective clear hose wrap.

WHEEL WEIGHT MOUNTING

For the BoomKat mower, a wheel weight will be required for the left side rear wheel. It will be necessary to mount the 1700 pound wheel weight in the wheel using the long capscrews, lockwashers, flatwashers, and hex nuts per diagram in the parts section.

Installation is most easily done with a small fork lift, inserting a fork in the center slot of the wheel weight. The head of the capscrews is to be toward the OUTSIDE of the weight, with flatwashers on both inside and outside of the assembly.

The left rear tire must also be filled with a mixture of water and calcium chloride at about five pound per gallon. Tire air pressure should be maintained at approximately 30 P.S.I.

EXTENDING ZERK ON FLAIL HEAD

Due to the belt shield covering the cutter shaft bearing on the flail head a hose, elbow, & grease zerk have been added to the bearing. Remove the existing grease zerk from the bearing and discard. Attach the elbow to the bearing. Next, the hose is attached to the elbow and routed through the belt shield (shown below) and attached to the outside of the shield. The additional zerk is connected to the end of the hose for easier bearing maintenance.



ATTACH
HOSE HERE

After assembling all components, double check the complete assembly from the main frame to the cutter head. Check the diagrams in the parts sections for proper placement and assembly of all components.

ASSEMBLY

MIRROR MOUNT

1. Remove the existing mirror bracket and mirror from the cab.
2. Remove the mirror and knob from existing bracket.
3. Install the supplied bracket (using supplied hardware) on the cab as shown below.
4. Install the mirror with the knob on the supplied bracket as shown below. Refer to the Parts section for details.



- A. Mirror/Light Mount Bracket
- B. Existing Hardware
- C. Distance the muffler screen is cut back to fit the exhaust collar.
- Half distance from the top bolt hole to the top of the screen.

LIGHT MOUNT

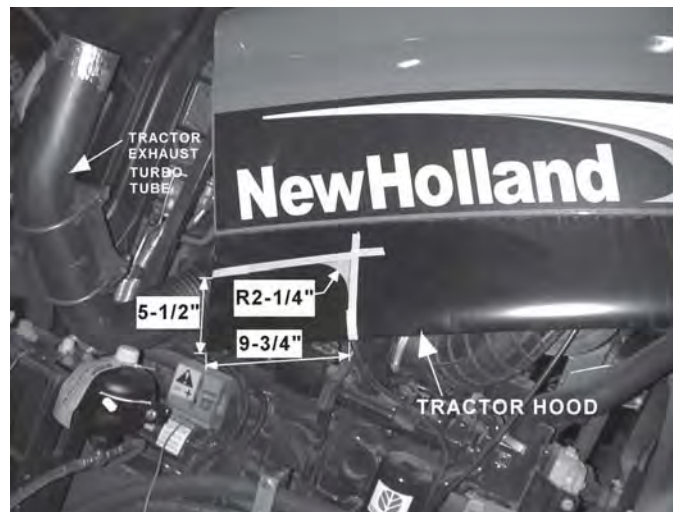
1. Remove light and light bracket from hand rail.
2. Tape light back against the hand rail next to the cab.
3. At the base of the hand rail, cut through the rail 2" from the cab.
4. To disconnect the wiring for the light, cut the hand rail through the hole where the wires extend.
5. On the cab ceiling, remove the speaker grill cover that is closest to the hand rail.
6. Remove the plate inside the speaker cavity to reach the wire connectors.
7. Disconnect green connector and pull wire through the hand rail.
8. Then cut hand rail 2" from the frame.
9. Place a small amount of adhesive on outer edge of the lower hand rail stub. Slide rubber cap on the stub.
10. Take second rubber cap and cut a small "X" at the end. Feed the light wire through the cap, the hand rail, and back into the speaker cavity. Re-attach green connector.
11. Attach the plate and speaker grill cover.
12. Place small amount of adhesive on outer edge of upper hand rail stub. Slide rubber cap on the stub.
13. Mount light to mirror bracket as seen in Parts section.

ASSEMBLY

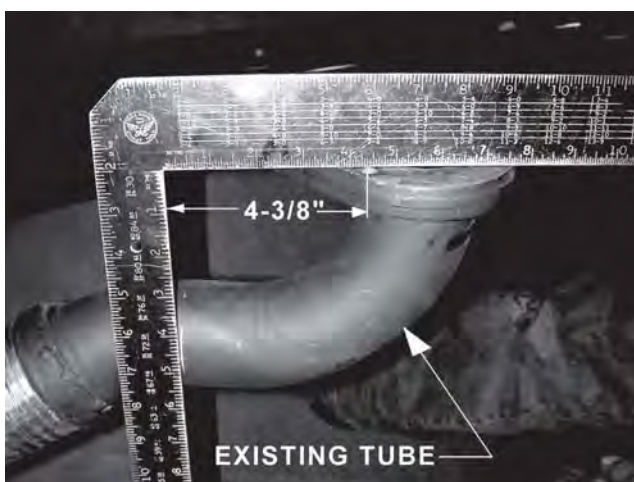
EXHAUST MOUNT

NOTE: This should be done after mounting the main frame.

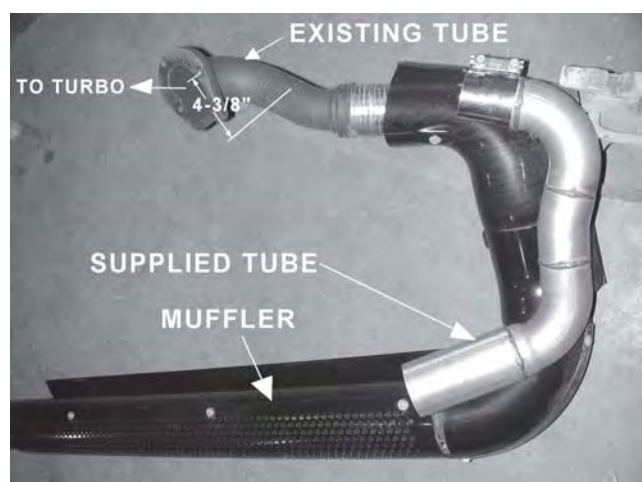
1. Cut the tractor hood as shown in pic. # 1 to accommodate modified exhaust turbo tube.
2. Remove the muffler from existing turbo tube.
3. Remove existing turbo tube from tractor turbo.
4. Install the exhaust mounting bracket and supporting brace.
5. Cut the existing tube at turbo end $4\text{-}\frac{3}{8}$ " from hole center as shown in pic. # 2 and 3. Discard remaining portion of existing tube.
6. Install the turbo end of existing tube to the tractor turbo.
7. Connect the supplied tube to the turbo end of existing tube using the sealing clamp as shown in pic. # 4. Do not tighten the hardware.
8. Install the exhaust clamp to the exhaust mounting bracket with the supplied hardware. Refer parts section for the details.
9. Tighten the turbo existing hardware first and then the rest of the hardware.
10. Cut the muffler sweep off at the top and replace with a raincap, if necessary for shipping, as shown in pic. # 5. Then install muffler to the turbo tube with the existing hardware.



Picture # 1

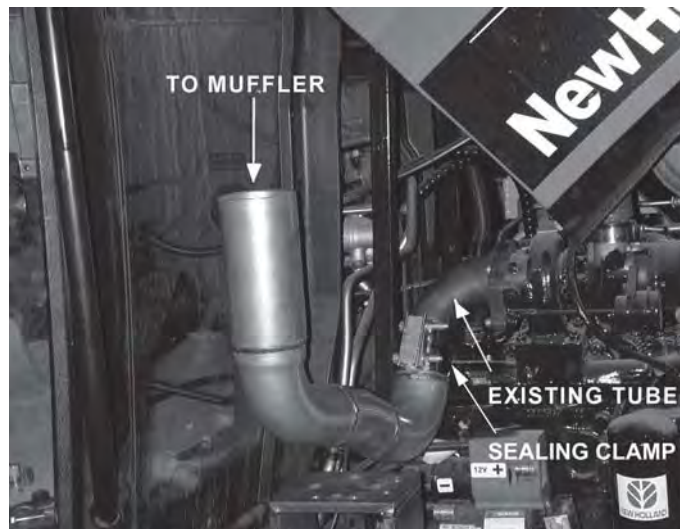


Picture # 2

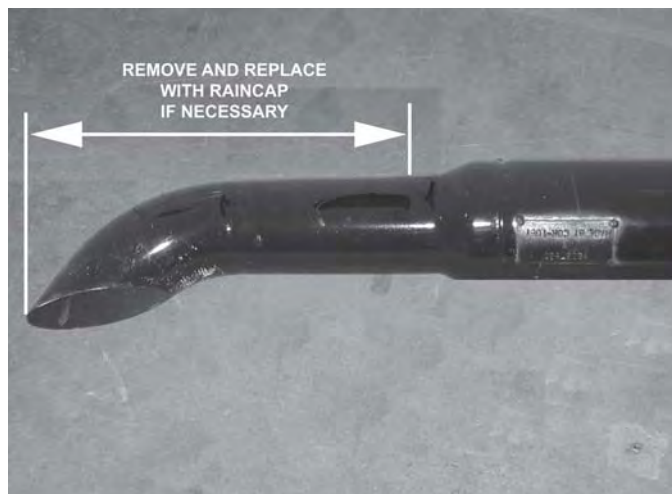


Picture # 3

ASSEMBLY



Picture # 4



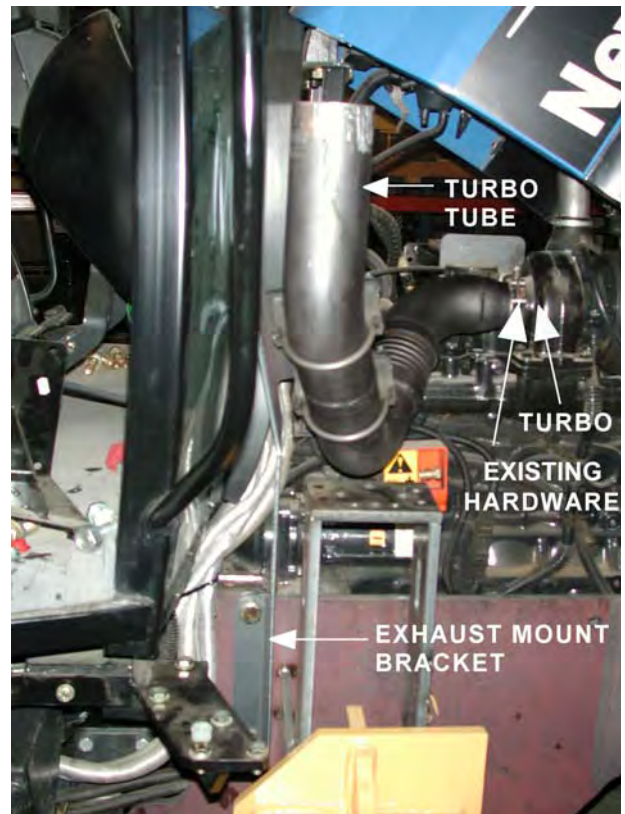
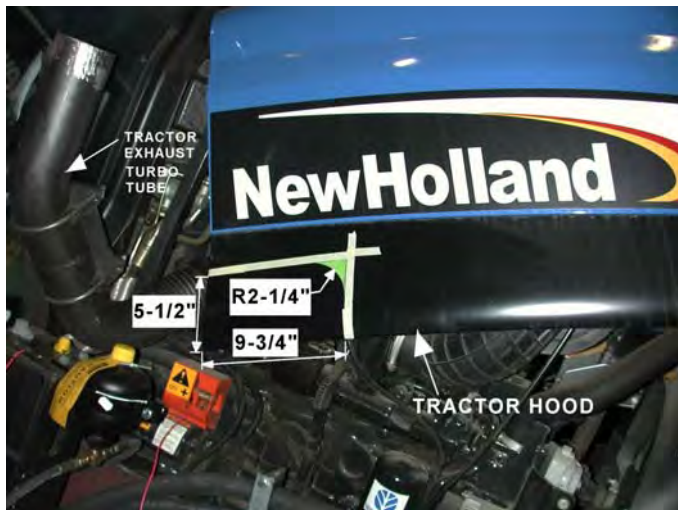
Picture # 5

ASSEMBLY

6 CYLINDER EXHAUST MOUNT

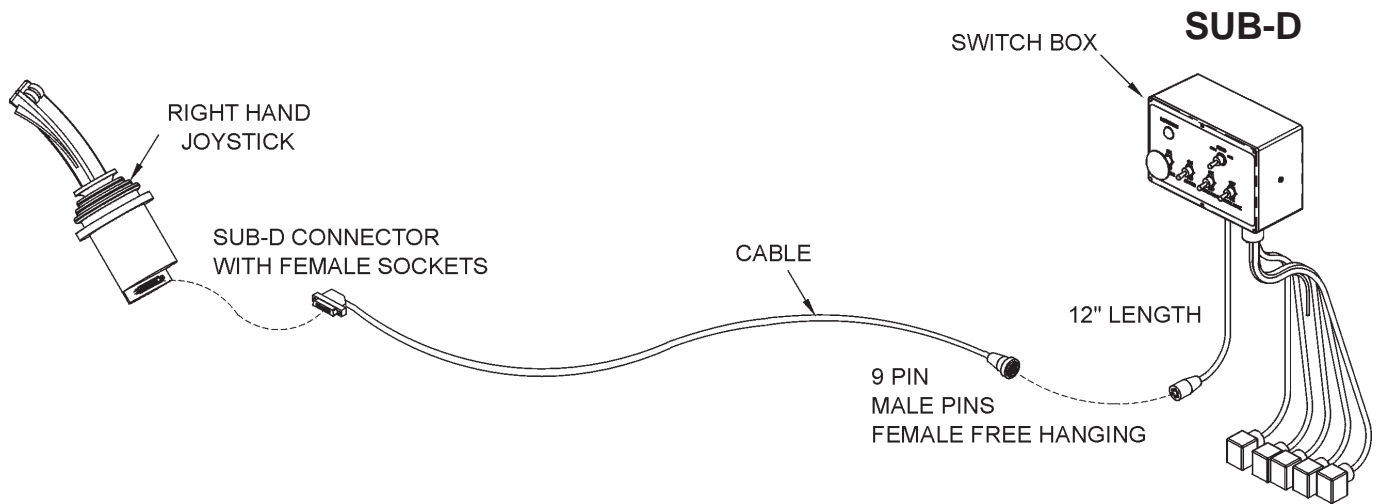
NOTE: This should be done after mounting the main frame.

1. Cut the tractor hood as shown below to accommodate modified exhaust turbo tube.
2. Remove the muffler from existing turbo tube.
3. Remove existing turbo tube from tractor turbo.
4. Install the exhaust mounting bracket and supporting brace.
5. Install the modified turbo tube to the tractor turbo with existing hardware. Do not tighten the hardware.
6. Install the exhaust clamp to the exhaust mounting bracket with the supplied hardware. Refer parts section for the details.
7. Tighten the turbo existing hardware.
8. Cut the muffler 8" off at the top as shown below and weld the sweep back on to the top of the muffler maintaining the same direction. Then install muffler to the turbo tube with the existing hardware.



ASSEMBLY

BOOM JOYSTICK CONTROL CALIBRATION



This Danfoss PVG32 control valve is now equipped with higher-resolution actuators on Main Boom, Secondary Boom, Deck Roll, and Swivel functions. These actuators have “active fault monitoring”. The Deck Shield section does not have “active fault monitoring”. The joystick is unchanged and provides a ratio-metric voltage signal. The neutral signal voltage is half or 50% of tractor supply voltage. A 25% signal voltage will shift the valve spool to full “A-Port”, and 75% signal voltage will shift the spool to full “B-Port” in the Main, Secondary, and Swivel valve sections. On the Deck Roll function a 34% signal voltage will shift the valve spool to full “A-Port” and a 68% signal voltage will shift the spool to full “B-port”. If an actuator with active fault monitoring receives a signal from the joystick that is less than 15% or greater than 85% of supply voltage the actuator will “fault out” and shut down. Also if there is an internal failure in the actuator or if the spool position is greater than that specified by the signal voltage from the joystick, the actuator will “fault out” and shut down. An “active fault” condition causes the actuator to drive the spool to neutral, shut down, and activate a “red” LED on the top of the actuator. The active fault can be canceled by simply cycling the Master Switch “OFF” and then “ON”, which resets the fault monitoring, and causes the LED on top of the actuator be “green” again.

CAUTION!



The joystick control is equipped with signal adaption potentiometers.

These provide the capability to individually adjust the oil flow to each boom function. It is important that the boom functions do not travel too fast. Excessive boom speed can reduce the stability of the unit and decrease operator control.

Note: Use a Phillips screw driver and be sure to adjust the screws carefully! DO NOT turn the potentiometers beyond their stopping point, potentiometers are very delicate! Turning the “A” or “B” port potentiometers clockwise increases the oil flow to increase the boom function speed, and turning them counterclockwise decreases the oil flow to decrease the boom function speed. See the graphic on the next few pages for help in adjusting.

ASSEMBLY

Run tractor at normal operating RPM to adjust the settings as follows.

Set the dead band compensation potentiometer first.

Set the dead band compensation potentiometer at 50%, or halfway between full clockwise and full counter-clockwise.

Setting Signal Adaptation Potentiometers:

Disconnect the Deutsch connectors from the actuators of the valve. Use a Volt/Ohm meter to measure signal voltage and adjust the signal adaptation potentiometers as needed. Pin #4 is tractor supply voltage. Pin #1 is signal voltage from the joystick, and pin #3 is ground. First measure supply voltage between pins 4 and 3. Then measure signal voltage between pins 1 and 3 while indexing the joystick function fully in both the "A" and "B" port direction. Divide the signal voltage by the supply voltage to get signal voltage as a % of supply voltage. This percentage should not be less than 25% or greater than 75% for the Main Boom, Secondary Boom, or Swivel function. This percentage should not be less than 30% or greater than 62% for the Deck Roll function. Note these initial settings for the Deck Roll function should prevent the spool from shifting into float. *After making this first adjustment to deck roll if the spool still goes into float, adjust the "B" port screw additionally counterclockwise.*

Reconnect Deutsch connectors on control cables to actuators on Danfoss valve. Run tractor until hydraulic system is at operating temperature. Now refine the adjustments of the signal adaptation potentiometers for both "A" and "B" ports for all proportional functions to achieve the following function times. Note: turning potentiometer clockwise increases the flow or the function speed, and turning them counter-clockwise decreases the flow or the function speed. Note, if during this procedure the trim potentiometer is set to full "counterclockwise" but the function is still too fast, use the mechanical stops at the manual actuator end of the valve section to further limit flow. Turn limit screw in or clockwise to limit flow. The upper limit screw limits flow to "B-port", and the lower limit screw limits flow to "A-port". However DO NOT adjust the limit screw on "B-port" of deck roll function. Limiting "B-port" will prevent "float" function.

ASSEMBLY

MAIN BOOM: "A" Port, Boom UP: 7-9 Seconds

(Note: Extend secondary boom completely; roll deck to be level with ground, and lower main boom until deck is on ground. Now index main boom "up" function and determine the time required for main boom to rise completely.)

"B" Port, Boom Down: 6-8 Seconds

(Note: Extend secondary boom completely, roll deck to be level with ground, and raise the main boom to "full up". Then index the main boom "down" function to determine the amount of time required for the deck to contact the ground. CAUTION: Stop the boom just as the deck contacts the ground.)

SECONDARY

BOOM: "A" Port, Boom Out: 8-10 Seconds

(Position main boom full up, roll deck out until deck cylinder is fully retracted, and bring secondary boom in completely. Then index the secondary boom "out" function and determine the time required for boom to extend out completely.)

"B" Port, Boom In: 8-10 Seconds

(Position the main boom full up, roll deck out until deck cylinder is fully retracted, and extend secondary boom completely. Then index the secondary boom "in" function and determine the time required for boom to come in.)

DECK ROLL: "A" Port, Deck Out: 7-9 Seconds

(Raise main boom to vertical, extend secondary boom out slightly so that deck can be articulated without contacting the main boom, and roll deck in until deck cylinder is completely extended. Then index the deck roll "out" function and determine the time required for the deck to roll out.)

"B" Port, Deck In: Target 7-9 Seconds (but DO NOT use Limit Screw)

(Raise main boom to vertical, extend secondary boom out slightly so that deck can be articulated without contacting the main boom, and roll deck out until deck cylinder is completely retracted. Then index the deck roll "in" function and determine the time required for the deck to roll in.)

BOOM

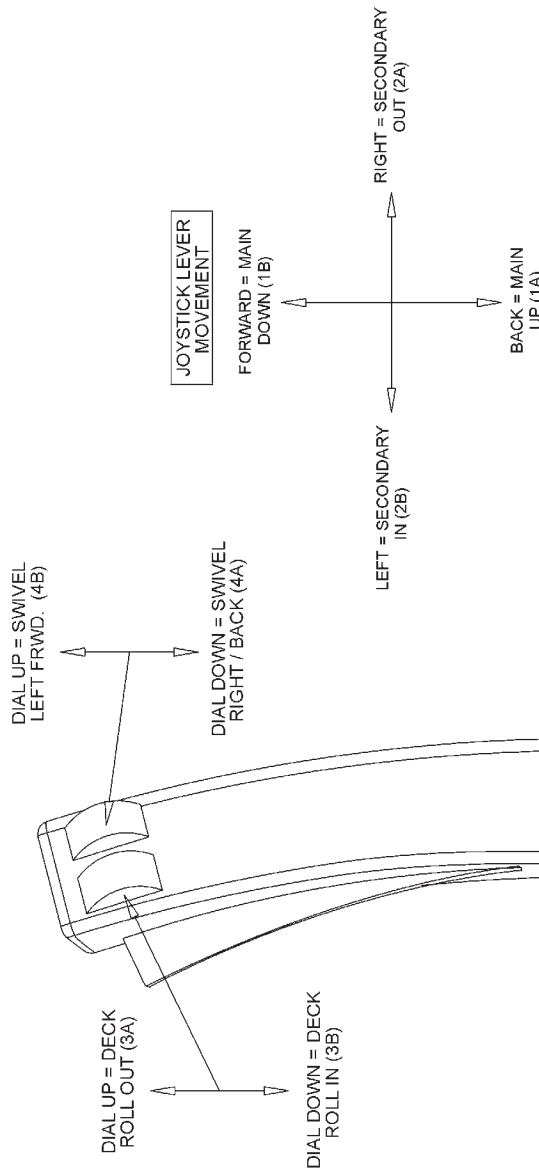
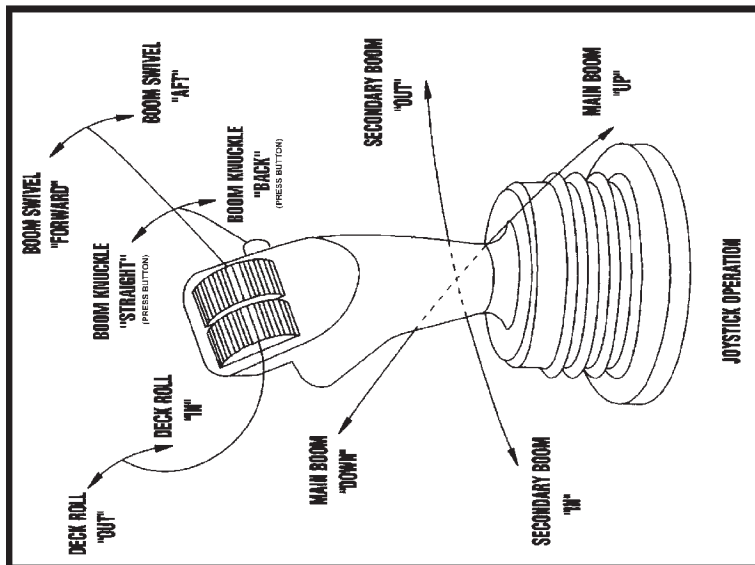
SWIVEL: "A" Port, Boom Aft: 14-16 Seconds

(Extend booms completely; rotate head to be level with ground, lower main boom until deck is just above ground, and swivel boom full forward. Then index the boom swivel "aft" function and determine the time required for the boom to swivel aft. Use caution when doing this, stop boom before main boom contacts tire.)

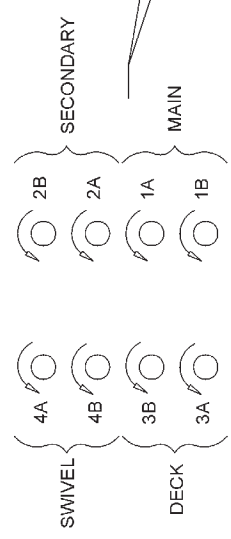
"B" Port, Boom Forward: 14-16 Seconds

(Extend booms completely, rotate head to be level with ground, lower main boom until deck is just above ground, and swivel boom aft and until near tire. Then index the boom swivel "forward" function and determine the time required for the boom to swivel full forward.)

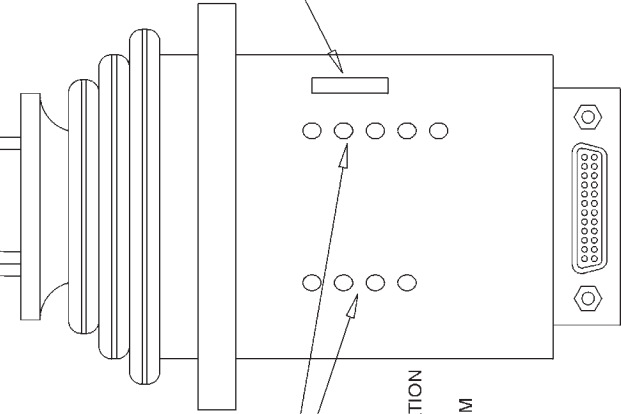
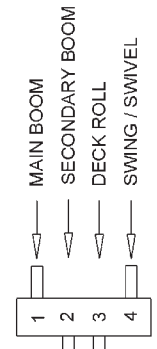
ASSEMBLY



SIGNAL ADAPTION POTENTIOMETERS



SIGNAL INVERSION SWITCHES

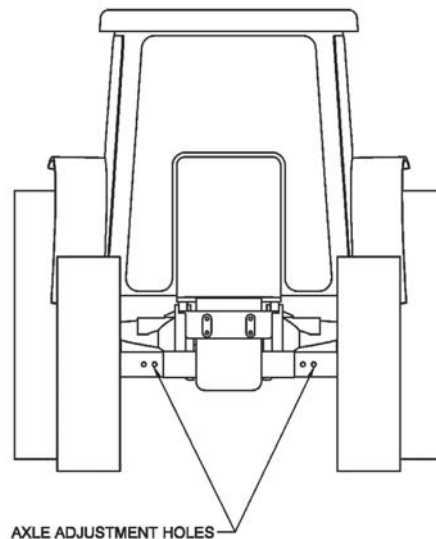


ARROW DIRECTION () DENOTES DIRECTION TO DECREASE OIL FLOW (SLOW BOOM FUNCTIONS)

ASSEMBLY

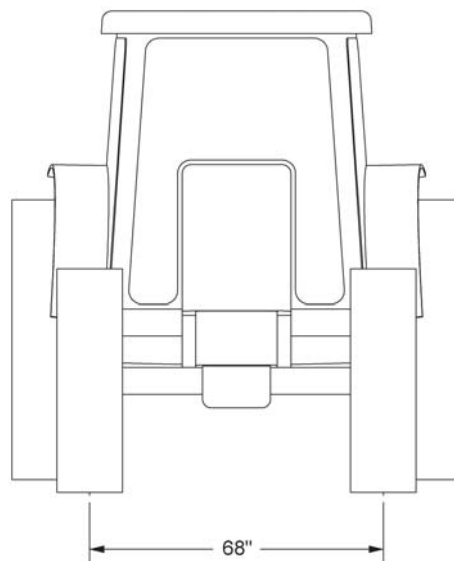
2WD FRONT AXLE ADJUSTMENT

In order to prevent interference with mounted equipment, the front axle on a 2WD T6000 tractor will have to be adjusted outwards by 2 holes on each side (see illustration below). Double check the wheel spacing after adjustment by oscillating and turning the tires fully to check for interference.



4WD FRONT TIRE ADJUSTMENT

In order to prevent interference with mounted equipment, the front wheels on a 4WD T6000 tractor will have to be adjusted to approximately 68" center to center distance as shown below. Please refer to your John Deere Maintenance Manual to see the correct rim and tire configuration to achieve this. Double check the wheel spacing after adjustment by oscillating and turning the tires fully to check for any interference.



ASSEMBLY

FINAL PREPARATION FOR OPERATION

Place operators safety and operation decals on the steering column and side counsel where they are clearly visible to the operator. These decals should be understood by each operator of the machine in conjunction with the safety and operation section of this book. The decals are to remain in good condition as a reminder to the operator, and should be replaced if damaged.

Finally, all bosses, pins and pivot points will need to be greased as instructed in the maintenance section of this manual. The hydraulic reservoir can also be filled with the recommended fluid (see maintenance section) and the filter installed in the top of the tank. Double check all fittings and fasteners **BEFORE** starting tractor. Also secure any loose hoses together with zip ties and wrap with split hoses where friction may occur on the hoses.

WARNING!



BEFORE starting or operating the tractor you must read and understand the safety and operation sections of this manual completely.

BE SURE THE BALL VALVES ARE OPEN! Start tractor and allow instruments to stabilize. Using a piece of paper or cardboard as noted in the safety and maintenance sections, check all fittings and connections for hydraulic leaks.

If a leak is found, you must shut down the tractor, set the cutter on the ground. Before attempting to fix the leak, you must actuate the lift valve handles several times to relieve any pressure in the lines.

Before operating the mower, the cutter head and boom should be slowly moved throughout the full range of motion. Watch for any condition that would cause pinching or excess stress on the hoses. The steering and front axle travel should also be carefully moved through their full range of motion. If any condition occurs in which the hoses contact the tires, the steering and / or front axle travel may need to be limited as described in the tractor operators manual. This should also be done if the tires rub, or are extremely close to any other part of the mower such as the hydraulic tank or draft beam. This may include adding shims, or adjusting stop bolts in the tractor front to solve the problem. While checking motion, you should also check that the control circuits are connected according to the operators decal for the valve handles.

MOWER TESTING

Take the tractor to a place free of loose objects on the ground. Operate the cylinders through their full range of motion again, to clear the lines of air. Follow the instructions in the operation section to operate the mower. Vibration of the mower should be minimal at all times. After a 5 minute test run, the knife bolts should be retorqued and once again after the first few hours of operation.

If any parts of this assembly section, or any other section of this manual are not clearly understood you must contact your dealer or the address on the front of this manual for assistance!

OPERATION SECTION

OPERATION

Safety is of primary importance to the owner / operator and to the manufacturer. The first section of this manual includes a list of Safety Messages, that, if followed, will help protect the operator and bystanders from injury or death. Many of the messages will be repeated throughout the manual. The owner / operator / dealer should know these Safety Messages before assembly and be aware of the hazards of operating this mower during assembly, use, and maintenance.

The **Safety Alert Symbol** combined with a signal word, as seen below, is intended to warn the owner / operator of impending hazards and the degree of injury possible during operation.

CAUTION!



The lowest level of Safety Message; Warns of possible minor injury. Decals located on the cutter with this Signal Word are Black and Yellow.

WARNING!



Serious injury or possible death! Decals are Black and Orange.

DANGER!



Imminent death / critical injury. Decals are Red and White.

WARNING!



Many varied objects, such as wire, cable, rope, or chains, can become entangled in the operating parts of the mower head. These items could then swing outside the housing at greater velocities than the blades. Such a situation is extremely hazardous and could result in serious injury or even death. Inspect the cutting area for such objects before mowing. Remove any like object from the site. Never allow the cutting blades to contact such items. (SGM-6)

CAUTION!



Before any operation of tractor and mower, the user should read and understand the safety and operating instructions for both the tractor and the mower. The user should also be familiar with the location and functions of the units instruments and controls. Being familiar with the machine and it's controls will increase efficiency and reduce possibility of serious injury or damage to the unit. The operator should work slowly and carefully until he feels comfortable with the machine. Speed and skill will be attained much easier if the necessary time is spent to familiarize yourself with the machine and its operations.

Since tractor makes and models vary, we recommend reading and following the operators manual provided by the manufacturer pertaining to your particular unit.

WARNING!



Extreme care should be taken when operating near loose objects such as gravel, rocks, wire, and other debris. Inspect the area before mowing. Foreign objects should be removed from the site to prevent machine damage and/or bodily injury or even death. Any objects that cannot be removed must be clearly marked and carefully avoided by the operator. Stop mowing immediately if blades strike a foreign object. Repair all damage and make certain rotor or blade carrier is balanced before resuming mowing. (SGM-5)



OPERATION

STARTING TRACTOR AND MOWER

Check the operators manual received from the tractor manufacturer, for their recommendation and procedures pertaining to your particular make and model.

WARNING!



When rotating parts are in motion, serious injury may occur if caution is not used or danger is not recognized. Never allow bystanders within **300 feet** of the machine when mower is in operation.



Be sure the ball valves on the mower hydraulic tank are **OPEN** before starting the tractor. Serious damage to the hydraulic system can occur if the valves are not open.

WARNING!



Check to make sure mower switch is in the "**OFF**" position. The unit is designed not to start if the switch is in the "on" position. If tractor starts with switch on, turn off tractor and contact your local Tiger dealership for assistance.

Start the tractor and allow the instruments to stabilize. Without starting the mower, practice positioning the boom and deck. Remember, speed and skill will be attained easier if the necessary time is spent familiarizing yourself with the machine and its operations. When you feel comfortable at controlling the position of the mower, return the mower to the travel position, and transport the mower to the desired mowing location.

NOTE: Each mower head has a specific resting position for flatbed travel.

If mowing for the first time with a Tiger Boom Mower, we recommend choosing a ditch or area relatively flat with a minimum of sign posts, guard rails, etc. As always, you should inspect the area for other objects that can cause potential hazards and removing them before mowing.

The Mower Control switch turns the mower "ON" and "OFF. This switch is to be in the "OFF" position to start the tractor. If the switch is "ON" and the tractor ignition switch is turned to "ON" the red "mower run" indicator light will come on. However, the tractor will not start with the Mower Control switch in the "ON" position. Upon starting tractor the "mower run" indicator light may flash briefly, and may flash briefly again when tractor is shut down.

WARNING!



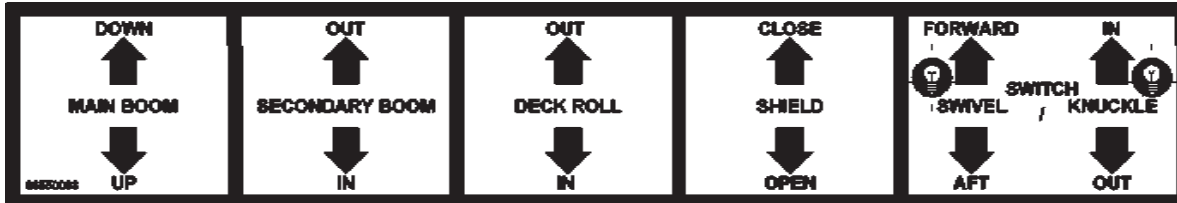
If tractor starts with switch on, turn off tractor and contact your local Tiger dealership for assistance.

NOTE: The tractor ignition switch and the Master Switch must be "ON" " to allow movement of the mower deck.

OPERATION

CABLE CONTROLLED MOWERS

A control lever decal similar to the one shown below should be near the control valve to remind the operator of the lever functions.



The main control valve on the Tiger Rear Stow Boom has multiple sections with tapered spools, located near the right side of the steering wheel. The malfunction of a section of the valve does not necessitate the replacement of the entire “bank”, only the faulty section. Each section of the valve controls a certain position of the boom or deck. Seated in the operators seat, the controls from left to right are #1 - primary(main) boom, #2 – secondary boom, #3 – deck roll, #4 – boom (swivel)swing & knuckle boom, and #5 boom(safety) shield.

Lever #4 is set up to be used for both the swivel function and the knuckle function. When using the knuckle, stop any movement of the boom. Then push the button on the end of Lever #4. At this time the indicator light on the switch box will light up, telling you the knuckle function is activated. You will then be able to straighten the knuckle and move it backward.

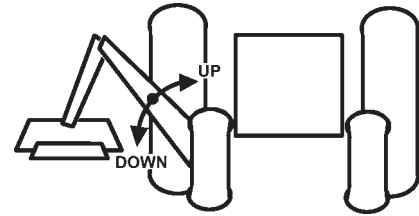
To switch back to the swivel function, stop any movement to the boom. Push the button on the end of Lever #4. The indicator light will shut off, letting you know that the swivel is now active.

NOTE: The mower head can still move if the switch box has no power.

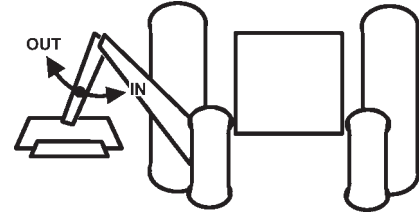


OPERATION

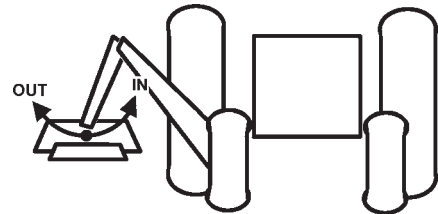
**LEVER #1
MAIN BOOM**



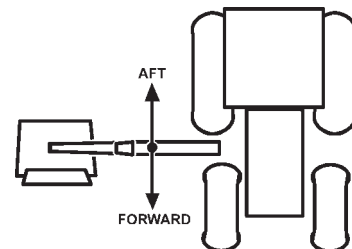
**LEVER #2
SECONDARY BOOM**



**LEVER #3
DECK ROLL**

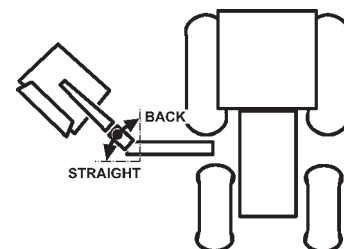


**LEVER #4
BOOM SWIVEL
INDICATOR LIGHT OFF**



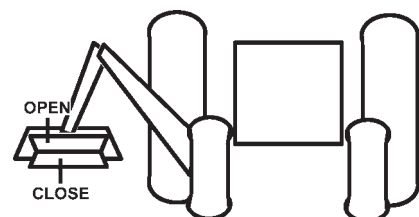
SWIVEL

**LEVER #4
WITH BUTTON PRESSED
BOOM KNUCKLE
INDICATOR LIGHT ON**



KNUCKLE

**LEVER # 5
BOOM SHIELD**



OPERATION

SWITCHBOX



The Safety Shield lever opens and closes the shield located on the front of the cutter head. When mowing at or near the ground, always have the shield in the closed position. When mowing in brush or in trees above ground level the shield may be opened for easier cutting. Read and follow the warnings on the decal shown below. **Do not run the cutter head into material larger than 6" diameter.**

DANGER

SAFETY SHIELD OPERATION

- **Failure to close Safety Shield may allow objects to be thrown outward with great force which can cause property damage, bodily injury, or death.**
1. **Keep Safety Shield fully closed when cutting grass and weeds to reduce possibility of objects being thrown outward by the Blades and to prevent contact with the Blades if persons are in the area.**
 2. **Before cutting brush, trimming limbs, or other such operations, raise Safety Shield fully to allow the blades to contact the material if area is clear of passersby. Operator must stop cutting and close shield if passerby enters the thrown objects area or blade contact area.**
 3. **Repair or replace Safety Shield as needed.**
 4. **Always transport with Safety Shield closed.**

OPERATION

MOWER OPERATION

WARNING!



When rotating parts are in motion, serious injury may occur if caution is not used or danger is not recognized. Never allow bystanders within **300 feet** of the machine when in operation. Extreme care should be taken when operating near loose objects – such as gravel, rocks and debris. These conditions should be avoided.

The rotating parts in this machine have been designed and tested for rugged use. However, they could fail upon impact with heavy solid objects – such as steel guard rails, concrete abutments, etc., causing them to be thrown at a very high velocity. Never allow cutter head to contact such objects. Inspecting the cutting area for such objects and removing them prior to mowing can help eliminate these potential hazards.

Once on location, lower the mower deck slightly above the material to be cut, so the mower does not have to start under a load. With the tractor at an idle, engage mower. Bring tractor R.P.M. up to 1900 – 2200 R.P.M. and **slowly** lower deck to ground level.

A flail mower deck should be carried so that part of the deck weight is carried by the boom and part carried by the ground roller, when mowing on the ground. When the flail mower is carried this way, the ground roller follows the contour of the ground more easily during mowing operations.

The rotary mower deck should always be carried rather than dragged on the skid shoes when mowing on the ground. Dragging the rotary mower deck increases the side loads on the boom, decreases the horsepower available to the cutter head, and reduces the ability of the accumulator to carry part of the weight of the boom during mowing operations.

During mower operation, the hand throttle must be used to maintain engine speed at 1900 – 2200 R.P.M. This prevents radical changes in mower spindle speeds, reducing the possibility of cutter assembly damage.

The horizontal positioning action of the boom is designed to position the cutting head and provide a limited pressure relief when excessive pressure is applied to the boom. Do not force the cutting head into heavy branches or stumps. Damage to the unit may result.

CAUTION!



When using the rotary cutting head for trimming trees and shrubs, let the mower saw into them. Do not lower the mower head down directly onto a tree or stump. The mower blades are designed to cut with the end, and misuse can cause damage to the blade and a hazardous situation for the operator.

CAUTION!



Powering the boom down, forcing mower deck onto ground may damage mower deck and it's attachment to the boom, creating a potentially hazardous situation.

OPERATION

To ensure a clean cut, engine speed should be maintained at approximately 1900 – 2200 R.P.M. If the tractor slows to less than 1800 R.P.M., shift to the next lower gear. **DO NOT** ride the clutch, this will cause premature clutch failure. **The engine should not be operated at any time at more than 2400 R.P.M. on the tractor tachometer.**

For cutting brush it is usually best to stop the tractor and swivel the boom and mower into foliage. The horizontal positioning action of the boom is designed to position the cutting head and provide a limited pressure relief when excessive pressure is applied to the boom.

CAUTION!



DO NOT use excessive force when positioning cutting head into heavy branches or stumps. Damage to the unit may result. It is best to let the cutter head “eat away” slowly at heavy cutting jobs.

CAUTION!



If foliage falls on top of mower deck causing tractor to become unstable, move the boom “Forward” and “Out” to relieve tipping of the tractor. Lower mower deck to ground and shut down unit. After all motion stops, remove foliage from mower deck.

The mower will operate more efficiently in tougher conditions and with less power if the knives are kept sharp. If the mower begins to vibrate, stop the tractor, check for wire wrapped in the spindle or damaged knives. When replacing knives, replace all knives with new knives to ensure proper balance so the mower will not vibrate. Severe vibration will result, if knives with unequal wear are used.

Begin a pass at the top side of the trees and work down with each consecutive pass. When cutting trees and shrubs, use a lower speed to allow the knives time to cut as well as mulch the foliage.

WARNING!



If bystanders approach within 300 feet while mower is in operation turn mower switch “OFF” immediately! After shutdown, never leave the tractor or allow bystanders to approach within **300 FEET** of the unit until all motion stops completely.

If cutter shaft jams and stops, turn mower switch to “OFF”, and swivel boom “AFT”. Normally this action will clear the cutter head. If not, roll mower deck until adjacent to the secondary boom, then lower boom to rest mower deck on ground. Shut off the tractor, set parking break, allow all motion to cease. At that point it is safe to leave the tractor and clear the cutter heads manually.

Begin each pass at the top side of the trees and work down with each consecutive pass. Use a low speed to allow the cutting blades time to mulch as well as cut the foliage. When the initial pass has been made, disengage the mower, and return boom to a safe travel position. Return to starting point and make next pass, etc..

After the first day of operation, all bolts should be checked and tightened securely. This should be done periodically to ensure the bolts do not become loose and cause damage to the tractor or mower, or injury to the operator.

OPERATION

DANFOSS JOYSTICK CONTROLLED MOWERS

WARNING!



NOTE: **DO NOT** operate mower head while boom mower is in the boom rest, or in the stored position! Red "Mower Run" light indicates mower is "ON".

The boom functions are controlled by an electronic joystick. The Joystick Master Switch enables the joystick control for controlling the boom motion functions. This switch is to be in the "OFF" position when starting the tractor and when boom is stowed for transporting the machine.

CAUTION!



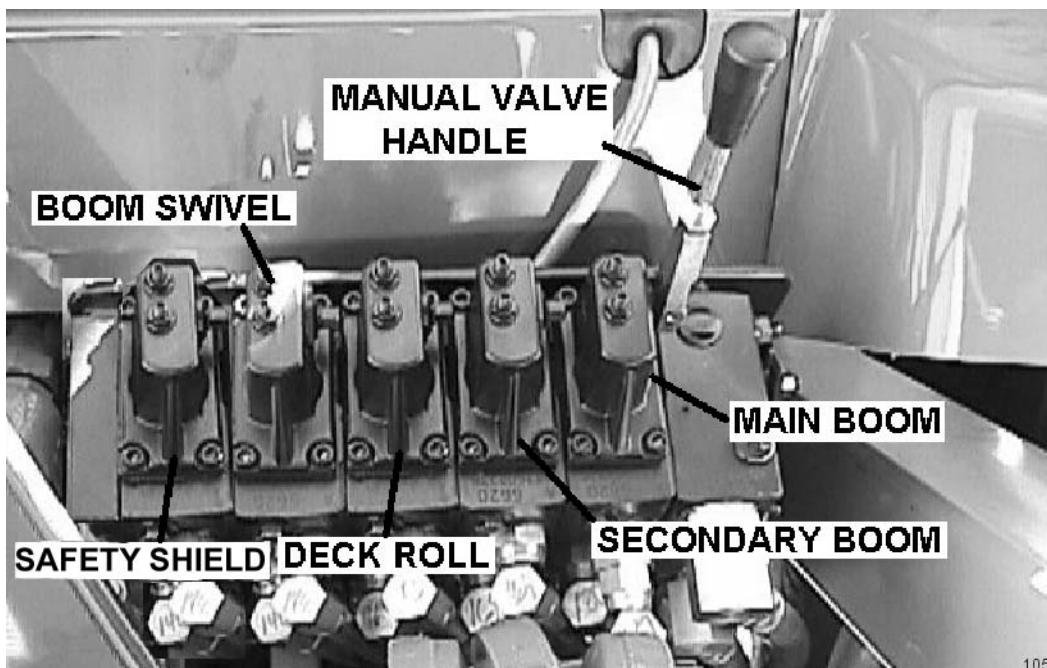
If the joystick control is not operating properly, turn the master switch to the "OFF" position. Install the manual valve handle onto valve and operate the functions individually to stow boom. After boom is stowed in rest, transport the unit to the maintenance facility and contact your Tiger dealer for assistance.

CAUTION!



DO NOT attempt to operate the valve manually for mowing operations!

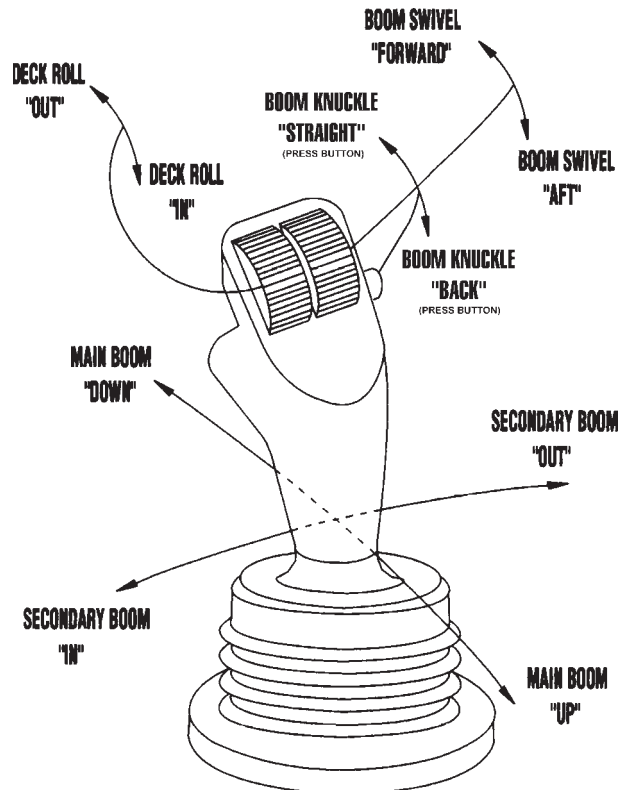
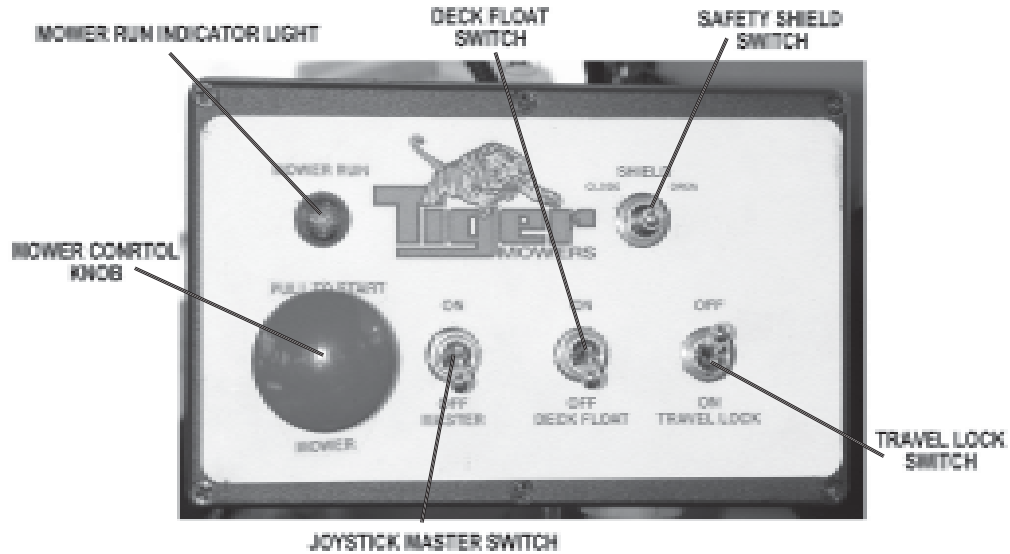
Note: Pushing manual valve handles "out" or "away" from the tractor cab will bring the main boom "up", secondary boom "out", roll deck "out", and swivel boom "aft". Pulling manual handles toward cab will let main boom "down", bring secondary boom "in", roll deck "in", and swivel boom "forward".



OPERATION

DANFOSS JOYSTICK CONTROL AND SWITCH BOX

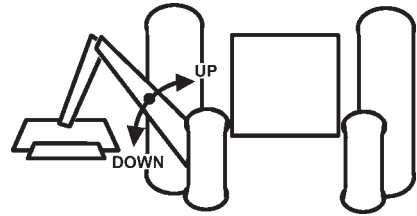
The diagrams below and on the following pages show the functions that are performed through the use of the joystick controller.



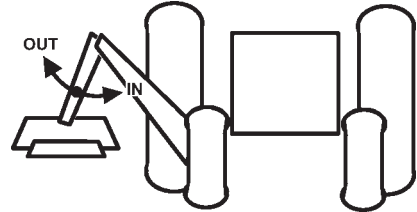
JOYSTICK OPERATION
Operation Section 3-10

OPERATION

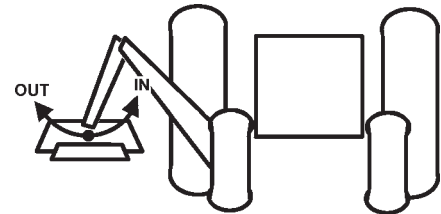
**JOYSTICK FWD / BACK
MOVES MAIN BOOM**



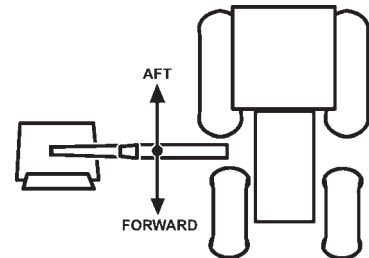
**JOYSTICK LEFT / RIGHT
MOVES SECONDARY BOOM**



**LEFT JOYSTICK ROLLER
MOVES DECK ROLL**

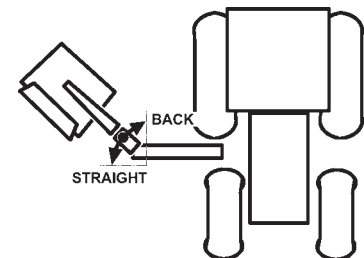


**RIGHT JOYSTICK ROLLER
MOVES BOOM SWIVEL**



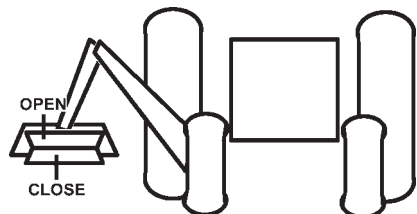
SWIVEL

**RIGHT JOYSTICK ROLLER
WITH BUTTON PRESSED
MOVES BOOM KNUCKLE**



KNUCKLE

**SHIELD SWITCH
OPERATES SAFETY
SHIELD**



OPERATION

The Safety Shield switch opens and closes the shield located on the front of the cutter head. When mowing at or near the ground, always have the shield in the closed position. When mowing in brush or in trees above ground level the shield may be opened for easier cutting. Read and follow the warnings on the decal shown below. **Do not run the cutter head into material larger than 6" diameter.**



SAFETY SHIELD OPERATION

- **Failure to close Safety Shield may allow objects to be thrown outward with great force which can cause property damage, bodily injury, or death.**
1. **Keep Safety Shield fully closed when cutting grass and weeds to reduce possibility of objects being thrown outward by the Blades and to prevent contact with the Blades if persons are in the area.**
 2. **Before cutting brush, trimming limbs, or other such operations, raise Safety Shield fully to allow the blades to contact the material if area is clear of passersby. Operator must stop cutting and close shield if passerby enters the thrown objects area or blade contact area.**
 3. **Repair or replace Safety Shield as needed.**
 4. **Always transport with Safety Shield closed.**

HEAVY DUTY ROTARY

The Heavy Duty Rotary mower was designed for cutting brush and foliage up to 6 inches in diameter or multiple branches that have a total cross section area equivalent to one 6 inch branch. Cutting multiple limbs at the same time may overload the mower causing it to slow down or stall completely. Regardless of the size of material being cut, the speed of the cutter head must be maintained. To ensure that the cutter head is running at maximum speed, run the tractor at full throttle during mowing operations. If the cutter head slows to the point that the knives are folding back, move the mower head away from the foliage and allow the cutter head to regain full speed.

OPERATION

WARNING!



Operating the mower in a manner that allows the cutting knives to continually fold back will cause permanent damage to the knives, rotary disk, and spindle assembly.

WARNING!



The Heavy Duty Rotary cutter head is designed for clockwise rotation (clockwise as seen from the top or the cutter head). **Never operate the cutter head in the counterclockwise rotation.** Operating this mower in counterclockwise rotation may cause objects to be thrown towards the tractor.

50" BOOM FLAIL

The 50" boom flail mower was designed for cutting brush and foliage up to 2 inches in diameter or multiple branches that have a total cross section area equivalent to one 2 inch branch. Cutting multiple limbs at the same time may overload the mower causing it to slow down or stall completely. Regardless of the size of material being cut, the cutter shaft speed must be maintained. To ensure that the cutter shaft is running at maximum speed, run the tractor at full throttle during mowing operations. If the cutter shaft slows to the point that the knives are folding back, move the mower head away from the foliage and allow the cutter shaft to regain full speed.

WARNING!



Operating the mower in a manner that allows the knives to continually fold back or allowing knife lugs to contact foliage will cause permanent damage to the cutter shaft drum, knives, and knife attachment parts.

WARNING!



The 50" boom flail cutter shaft is designed for standard rotation (same rotation as the tractor wheels during forward travel). **Never operate the cutter shaft in reverse rotation.** Operating this mower in reverse rotation may cause objects to be thrown out the front of the mower head.

WARNING!



The 50" boom flail equipped with free swinging brush knives is intended for brush cutting only. Cutting grass is not recommended.

WARNING!



Do not allow knives to cut down to the ground. Position ground roller to maintain knife arc at a minimum of 2 inches above the ground. Knife contact or lug contact with ground will cause permanent damage to cutter shaft, knives, and knife attachment parts.

OPERATION

63" BOOM FLAIL

The 63" boom flail mower was designed for cutting grass. The cutter shaft speed must be maintained for proper cutting. To insure that the cutter shaft is rotating at maximum speed, run tractor at full throttle during mowing operations. If cutter shaft slows to the point that the knives are folding back against the cutter shaft, move the mower head away from the foliage and allow the cutter shaft to regain full speed.

WARNING!



Operating the mower in a manner that allows the knives to contact the drum will cause permanent damage to the cutter shaft drum, knives, and knife attachment parts.

WARNING!



The 63" boom flail cutter shaft is designed for standard rotation (same rotation as the tractor wheels during forward travel). **Never operate the cutter shaft in reverse rotation.** Operating this mower in reverse rotation may cause objects to be thrown out the front of the mower head.

UNSTOWING BOOM

To un-stow the boom from the boom rest, proceed as follows. Extend the secondary boom "OUT" and lift the head off of the boom rest. Extend the knuckle boom "STRAIGHT". Move main boom "UP" off of main boom support. Swivel boom "FORWARD" perpendicular to tractor and switch travel lock to "OFF". The head and booms are now ready for full operation.

TRANSPORTING MOWER

Transporting under the units own power:

NOTE: ONLY when transporting under the units own power is it permissible to rest the head in any of the resting positions. When transporting on a trailer the head MUST be resting on the position designed for the head you are using.

When transporting between job sites, the following procedure should be followed: Shut off the power to the cutting head and allow all motion to come to a complete stop. Roll the mower deck "OUT" all the way until it is adjacent to the secondary boom. Extend the secondary boom "OUT" to clear the boom rest. Next, swivel the boom "AFT" and maneuver the main boom until it rests on the boom rest. Switch over to the knuckle control and curl the knuckle "Back". Slowly and carefully lower the secondary boom until it contacts the desired cradle. Lastly, place the "Travel Lock" switch on the main control switch box to the "ON" position. The unit is now ready for self transportation. (See picture of stowed boom on next page).

OPERATION



Transporting unit by flatbed trailer:

Park flatbed on level area. Drive tractor onto center of flatbed to avoid uneven distribution of weight and staying within local width restrictions. Boom head must be stowed on Boom Rest. The FLAIL HEAD MUST be stowed in the UPPER position. The 50" ROTARY HEAD MUST be stowed in the LOWER position. The 60" ROTARY HEAD MUST be stowed in the LOWER position WITH Part #: 06310017 in place.

CAUTION!



If any part of this operating section, or any other section of this manual is not completely understood, contact your Tiger dealer or the address on the cover of this manual for assistance!

OPERATION

MAINTENANCE SECTION

MAINTENANCE

Tiger Mowers are designed for high performance and rugged durability, yet with simplified maintenance. The purpose of this section of the manual is to help the operator in the regular servicing of the mower. Regular maintenance at the intervals mentioned will result in the maximum efficiency and long life of the Tiger Mower.

When you purchase a Tiger Mower you also acquire another valuable asset, Tiger's parts organization. Our rapid and efficient service has guaranteed the customer satisfaction for many years. Tiger parts keep up with the demands for efficiency, safety and endurance expected of the Tiger Mower.

MAINTENANCE PRECAUTIONS

- Be sure end of grease gun and zerks are clean before using. Debris injected into bearings, etc. with grease will cause immediate damage.
- DO NOT grease greaseless bearings. They can be identified by blackish/grey color. DO NOT use a power grease gun to lubricate bearings. These require very small and exact amounts of lubrication. Refer to the detailed maintenance section for specific lubrication instructions. DO NOT over-grease bearings.
- Polycarbonate windows should be washed with mild soap or detergent and luke warm water, using a soft clean sponge or **soft cloth**. DO NOT use abrasive or alkaline cleaners or metal scrapers on Polycarbonate windows!
- Be alert to maintenance indicators such as the in-tank filter pressure gauge, hydraulic reservoir sight gauge, etc. Take the required action to correct any problems immediately.
- Release of energy from pressurized systems may cause inadvertent actuation of cylinders, or sudden release of compressed springs. Before disconnecting any hoses relieve pressure by shutting tractor off, setting cutter on ground and actuating lift valve handles.

WARNING!



DO NOT use hands to check for suspected leaks in hydraulic hoses! Hydraulic fluid escaping under pressure can have sufficient force to penetrate skin and cause serious injury. If fluid is injected into skin, it must be surgically removed within a few hours or gangrene may result. Use a small piece of wood or cardboard, not hands, to search for pin hose leaks. Be sure all pressure is relieved whenever disconnecting lines. Be sure all connections are tight and hoses and lines are not damaged before applying pressure.

BREAK IN PERIOD

In addition to following the break in instructions for your particular tractor, the in-tank hydraulic fluid filter should be replaced after the first 50 hours of service. Thereafter the filter should be replaced every 500 hours, or yearly, whichever ever comes first.

Re-torque wheel lugs after first five hours of operation and periodically thereafter. See torque specifications listed in the tractor's service manual for your particular model. **Wheel lugs must always be re-torqued whenever a wheel is removed and reinstalled.**

MAINTENANCE

DANGER!



Never work under the Implement, the framework, or any lifted component unless the Implement is securely supported or blocked up to prevent sudden or inadvertent falling which could cause serious injury or even death. (SG-14)



WARNING!



Do not modify or alter this Implement. Do not permit anyone to modify or alter this Implement, any of its components or any Implement function. (SG-8)

WARNING!

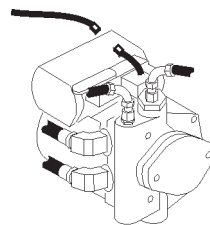


Relieve hydraulic pressure prior to doing any maintenance or repair work on the Implement. Place the Mower Head on the ground or securely supported on blocks or stands, disengage the PTO, and turn off the engine. Push and pull the control Levers or Joystick several times to relieve pressure prior to starting any maintenance or repair work. (SBM-6)

DANGER!



Always disconnect the wire leads from the mower pump solenoid before performing service on the Tractor or Mower. Use caution when working on the Tractor or Mower. Tractor engine must be stopped before working on Mower or Tractor. The Mower Blades could inadvertently be turned on without warning and cause immediate dismemberment, injury or death. (SBM-12a)



MAINTENANCE

REGULAR MAINTENANCE

The intervals at which regular servicing should be done are based on hours of operation. Use the tractors hour meter to determine when regular servicing is required.



This symbol indicates a point that needs to be greased at an interval noted in the section below. Refer to the Detailed Maintenance section for further instructions on greasing. Copy and use the Daily Maintenance sheet located at the end of this section.

DAILY OR EVERY 8 HOURS

ITEM	SERVICE	COMMENTS
Drive Shaft Yoke, U-Joint & Stub Shaft	Grease	Grease as instructed in detailed maint. section
Pump Drive Shaft Coupler	Check and Lube	Insure drive shaft end play
Crankshaft Adapter	Check rubber grommets	Replace grommets if damaged or missing
Main & Secondary Cylinder Pivot Points	Lubricate	Inject grease until it appears at ends
Hydraulic Fittings	Check for leaks	Tighten when needed. Do Not use hands to check for leaks, see maint. Precautions
Knives	Check	Inspect for missing or damaged knives, change or sharpen as needed
Spindle mounting bolts (spindle to deck)	Check	3/4" x 2" torque to 331 ft. lbs.
Knife mounting bolts (knife to disk)	Check	1-1/8" special bolt torque to 1070 dry or 800 oiled ft. lbs.
Disk mounting bolts (disk to spindle)	Check	5/8" x 1-3/4" bolt torque to 204 dry or 184 oiled ft. lbs.
Belts	Check / Adjust	Check if broken, tighten as required
Main Frame and Deck	Check	Retorque bolts to torque specifications in this section
Hydraulic Fluid Level	Check	Add if required per fluid recommendations
Rear Flail Drive (if applicable) Bearing Flange and Shaft Coupler	Lubricate	Grease as instructed in detailed maint. section
Cutter Shaft and Ground Roller	Lubricate	Grease as instructed in detailed maint. section

MAINTENANCE

WEEKLY OR EVERY 50 HOURS

ITEM	SERVICE	COMMENTS
In Tank Hyd. Fluid Filter (10 micron filter)	Change	Change after first 50 hours only, then every 500 hours or yearly
In-Line High Pressure Filter (10 micron filter)	Change	Change after first 50 hours only, then every 500 hours or yearly

MONTHLY OR EVERY 150 HOURS

Hydraulic Fluid Level	Check	Add as needed
Hyd. Tank Breather	Clean / Check / Replace	Clean or replace Element as required
Rear Tire Type	Max P.S.I.	
480/80R38	29	
18.4-34	26	
18.4-38	26	

YEARLY OR EVERY 500 HOURS

Spindle Grease	Change	
Hyd. Tank Fluid	Change	
In Tank Hyd. Fluid Filter (10 micron filter)	Change	
In-Line High Pressure Filter (10 micron filter)	Change	or Change when indicated by restriction indicator.
Hyd. Tank Breather	Change	

TROUBLESHOOTING

SYMPTOMS	CAUSE	REMEDY
Vibration	<ol style="list-style-type: none"> Loose bolts Cutter assembly Unbalanced 	<ol style="list-style-type: none"> Check all bolts and tighten to recommended torque specs. Check for damaged blades, disc. or cutter shaft. Replace if needed. Check for wire, rope, etc. entangled in cutter assembly
Mower will not lift	<ol style="list-style-type: none"> Hyd. Fluid low Leaks in line Faulty relief valve Kinked or blocked Faulty cylinder 	<ol style="list-style-type: none"> Check and refill Hyd Fluid Tighten or replace fittings and hoses Check pressure in line. Line pressure in Control Valve should be at least 2500 P.S.I. Clean or replace lines Inspect, repair or replace cylinder

MAINTENANCE

SYMPTOMS	CAUSE	REMEDY
Mower will not start or run	<ol style="list-style-type: none"> 1. Blown fuse 2. Ball valves closed 3. Low oil level 4. Line leak 5. Electronic solenoid faulty 	<ol style="list-style-type: none"> 1. Check fuse between mower switch and ignition / replace 2. Make sure valves are open 3. Check Hyd. tank and fill 4. Check all fittings and lines, re-tighten or replace 5a. Without the tractor running, turn the mower switch to on. A low audible click should be heard if the solenoid is engaging the solenoid spool. If click is not heard, leave switch in on position and with a screwdriver or other steel object, touch the small nut on the end of the solenoid. If the metallic object is not attracted to the nut, check the fuse and wiring for an open circuit. If the object is attracted but no "click" is heard, replace the solenoid. 5b. Remove the four bolts holding the small block to the main block. Lift and remove small block being careful not to damage O-rings / filter. Clean filter and re-install. 5c. Remove large nut on side of large valve block. Remove spring, and use needle nose vise grip to pull spool from block. Check block and spool for contaminants and scratches. Clean parts or replace if scratched.
Motor runs but will not cut.	<ol style="list-style-type: none"> 1. Belts 2. Tensioner 	<ol style="list-style-type: none"> 1. Inspect belts and pulleys. Replace belts and repair as needed. 2. Adjust tensioner nut until flat washer washer is flush with top of guide.
Motor turns slowly or not at all.	<ol style="list-style-type: none"> 1. Contaminants restricting spool movement in valve body. 2. Suction lines obstructed 3. Low oil level 	<ol style="list-style-type: none"> 1. Remove large nut on side of large valve block. Remove spring, and use needle nose vise grip to pull spool from block. Check block and spool for contaminants and scratches. Clean parts or replace if scratched. 2. Check for kinkes or obstruction in suction hose. 3. Check Hyd. tank level and fill.
Pump will not work	<ol style="list-style-type: none"> 1. Excessive wear on internal parts 	<ol style="list-style-type: none"> 1. Disassemble and repair.
Motor will not work	<ol style="list-style-type: none"> 1. Excessive wear on internal parts 	<ol style="list-style-type: none"> 1. Disassemble and repair.

MAINTENANCE





NOTE: If flow meter is available, check pressure and flow volume for all suspected hydraulic problems.

If the solution to your problem cannot be found in this section, call the Technical Service representative at the number shown on the front cover of this manual.

MAINTENANCE

TORQUE SPECIFICATIONS

Torque for Standard Fasteners


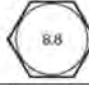


Nominal Dia. (in.)	threads per inch	 Grade 2			 Grade 5			 Grade 8			 Grade 9		
		Tightening Torque			Tightening Torque			Tightening Torque			Tightening Torque		
		Lubed K = 0.15	Dry Plated K = 0.17	Dry plain K = 0.20	Lubed K = 0.15	Dry Plated K = 0.17	Dry plain K = 0.20	Lubed K = 0.15	Dry Plated K = 0.17	Dry plain K = 0.20	Lubed K = 0.15	Dry Plated K = 0.17	Dry plain K = 0.20
Unified Coarse Thread Series													
1/4	20	49 in-lbs	59 in-lbs	66 in-lbs	76 in-lbs	86 in-lbs	101 in-lbs	107 in-lbs	122 in-lbs	143 in-lbs	126 in-lbs	143 in-lbs	168 in-lbs
5/16	18	101	122	135	157	178	209	221	251	295	259	294	346
3/8	16	15 ft-lbs	18 ft-lbs	20 ft-lbs	23 ft-lbs	26 ft-lbs	31 ft-lbs	33 ft-lbs	37 ft-lbs	44 ft-lbs	38 ft-lbs	43 ft-lbs	51 ft-lbs
7/16	14	24	29	32	37	42	49	52	59	70	61	70	82
1/2	13	37	44	49	57	64	75	80	90	106	94	106	125
9/16	12	53	63	70	82	92	109	115	130	154	135	153	180
5/8	11	73	87	97	113	126	150	159	180	212	186	211	246
3/4	10	129	155	172	200	227	267	282	320	376	331	375	441
7/8	9	125	150	167	322	365	429	455	515	606	533	604	710
1	8	187	225	250	483	547	644	681	772	909	799	905	1065
1 1/8	7	266	319	354	596	675	794	966	1095	1288	1132	1283	1510
1 1/4	7	375	450	500	840	952	1121	1363	1545	1817	1597	1810	2130
1 1/2	6	652	783	869	1462	1657	1950	2371	2688	3162	2779	3150	3706
Fine Thread Series													
1/4	28	56 in-lbs	68 in-lbs	75 in-lbs	87 in-lbs	99 in-lbs	116 in-lbs	123 in-lbs	139 in-lbs	164 in-lbs	144 in-lbs	163 in-lbs	192 in-lbs
5/16	24	112	135	150	174	197	231	245	278	327	287	325	383
3/8	24	17 ft-lbs	20 ft-lbs	23 ft-lbs	26 ft-lbs	30 ft-lbs	35 ft-lbs	37 ft-lbs	42 ft-lbs	49 ft-lbs	43 ft-lbs	49 ft-lbs	58 ft-lbs
7/16	20	27	32	36	41	47	55	58	66	78	68	78	91
1/2	20	41	49	55	64	72	85	90	102	120	105	120	141
9/16	18	59	71	78	91	103	121	128	146	171	151	171	201
5/8	18	82	99	110	127	144	170	180	204	240	211	239	281
3/4	16	144	173	192	223	253	297	315	357	420	369	418	492
7/8	14	138	165	184	355	403	474	502	568	669	588	666	784
1	14	210	252	280	542	614	722	765	867	1020	896	1016	1195
1 1/8	12	298	357	397	668	757	890	1083	1227	1444	1269	1439	1693
1 1/4	12	415	498	553	930	1055	1241	1509	1710	2012	1768	2004	2368
1 1/2	12	734	880	978	1645	1865	2194	2668	3024	3557	3127	3544	4169

Torque values for 1/4 and 5/16 in series are in inch-pounds. All other torque values are in foot-pounds.
 Torque values calculated from formula $T=KDF$, where

K = 0.15 for "lubricated" conditions
 K = 0.17 for zinc plated and dry conditions
 K = 0.20 for plain and dry conditions

D = Nominal Diameter
 F = Clamp Load

Torque-Tension Relationship for Metric Fasteners

Nominal Dia. (mm)	Pitch	 Class 4.6			 Class 8.8			 Class 10.9			 Class 12.9	
		Tightening Torque			Tightening Torque			Tightening Torque			Tightening Torque	
		Lubed K = 0.15	Dry Plated K = 0.17	Dry plain K = 0.20	Lubed K = 0.15	Dry Plated K = 0.17	Dry plain K = 0.20	Lubed K = 0.15	Dry Plated K = 0.17	Dry plain K = 0.20	Lubed K = 0.15	Dry plain K = 0.20
3	0.5	0.26	0.32	0.38	0.73	0.82	0.97	1.0	1.2	1.4	1.2	1.6
3.5	0.6	0.44	0.50	0.59	1.1	1.3	1.5	1.6	1.9	2.2	1.9	2.5
4	0.7	0.66	0.74	0.87	1.7	1.9	2.3	2.4	2.7	3.2	2.8	3.6
5	0.8	1.3	1.5	1.8	3.4	3.9	4.5	4.8	5.5	6.5	5.7	7.6
6	1	2.3	2.6	3.0	5.8	6.6	7.7	8.3	9.4	11	9.7	13
6	1.25	2.1	2.3	2.7	5.3	6.0	7.0	7.6	8.6	10	8.8	12
7	1	3.8	4.3	5.0	9.7	11	13	14	16	19	16	22
8	1	5.9	6.6	7.8	15	17	20	22	24	29	25	34
8	1.25	5.5	6.2	7.3	14	16	19	20	23	27	24	31
10	1.25	11	13	15	29	33	39	42	48	56	49	66
10	1.5	11	12	14	28	32	37	40	45	53	47	62
12	1.25	21	23	28	53	60	71	76	86	101	89	119
12	1.5	20	22	26	51	58	68	73	82	97	85	113
12	1.75	19	21	25	49	55	65	70	79	93	81	108
14	1.25	26	29	34	66	75	89	95	108	127	111	148
14	1.5	28	32	37	72	82	96	103	117	138	121	161
14	2	30	34	40	78	88	104	111	126	148	130	173
16	1.5	50	57	67	129	146	171	184	208	245	215	287
16	2	47	53	62	121	137	161	173	196	230	202	269
18	1.5	73	82	97	187	212	249	268	303	357	313	417
18	2.5	65	73	86	167	189	222	239	270	318	279	372
20	2.5	91	104	122	236	267	314	337	382	449	394	525

Clamp load calculated as 75% of the proof load for specified bolts. K = 0.15 for "lubricated" conditions
 All torque values are listed in foot-pounds
 Torque values calculated from formula $T=KDF$, where

K = 0.17 for zinc plated, dry conditions
 K = 0.20 for plain and dry conditions

D = Nominal Diameter
 F = Clamp Load

* These are intended to be general specifications. See tractor operators or service manual for exact specifications for your unit.

MAINTENANCE

LUBRICATION RECOMMENDATIONS

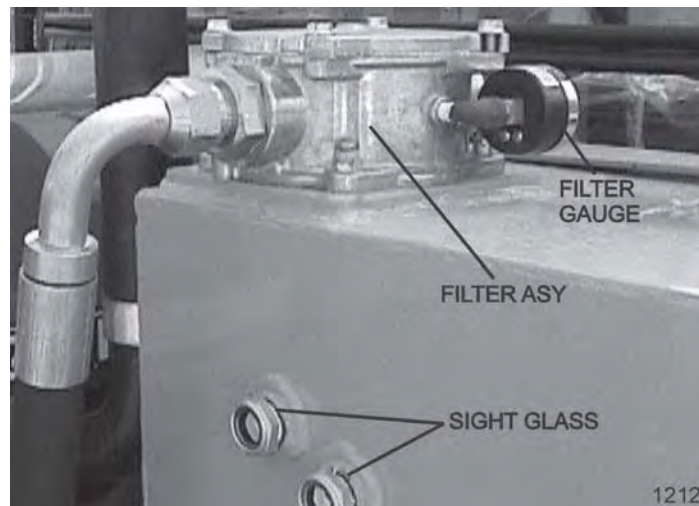
Description	Application	General Specification	Recommended Mobil Lubricant
Tractor Hydraulics	Reservoir	JD-20C MF M1135,M1141 FNHM2C134D (FNH201)	Mobilfluid 424
Mower Hydraulics	Reservoir		
Cold Temperatures 0 F Start-Up		ISO 46 Anti-Wear - Low Temp	Mobil DTE 15M
Normal Temperatures 10 F Start-Up		JD-20C MF M1135,M1141 FNH M2C134D (FNH201)	Mobilfluid 424
Normal Temperatures 15 F Start-Up		ISO 46 Anti-Wear	Mobil DTE 25
High Operating Temp. Above 90 F		ISO 100 Anti-Wear	Mobil DTE 18M
Flail Rear Gearbox	Grease	PAO Synthetic Extreme Pressure Gear Lube	Mobil SHC 75W-90 Mobil 1 Synthetic Gear
Cutter Shaft & Ground	Grease	Lithium-Complex	Mobilgrease CM-S
Roller Shaft (Flail)	Gun	Extreme Pressure NLGI 2 - ISO 320	
Drive Shaft Coupler (Flail and Rotary)	Grease Gun	Lithium-Complex Extreme Pressure NLGI2 - ISO 320	Mobilgrease CM-S
Drive Shaft Yoke, U-Joint & Stub Shaft	Grease Gun	Lithium-Complex Extreme Pressure NLGI 2 - ISO 320	Mobilgrease CM-S
Boom Swivel	Grease	Lithium-Complex	Mobilgrease CM-S
Boom Cylinder Pivots (Rotary & Flail Boom)	Gun	Extreme pressure NLGI2 - ISO 320	
Deck Boom Pivot & Deck Stop Adjustment (Rotary & Flail)	Grease Gun	Lithium-Complex Extreme pressure NLGI 2 - ISO 320	Mobilgrease CM-S
Deck Spindle (Rotary)	Grease Gun	Tiger Spindle Lubricant part number 06540000	Mobilith SHC 220

MAINTENANCE

RECOMMENDED FILLING INSTRUCTIONS FOR HYDRAULIC RESERVIORS

When filling or checking the oil level, the unit should be parked on a level surface, shut "OFF", and allowed sufficient time to cool to ambient temperature. Use caution when removing the pressurized breather. Do not place face over opening when removing the breather.

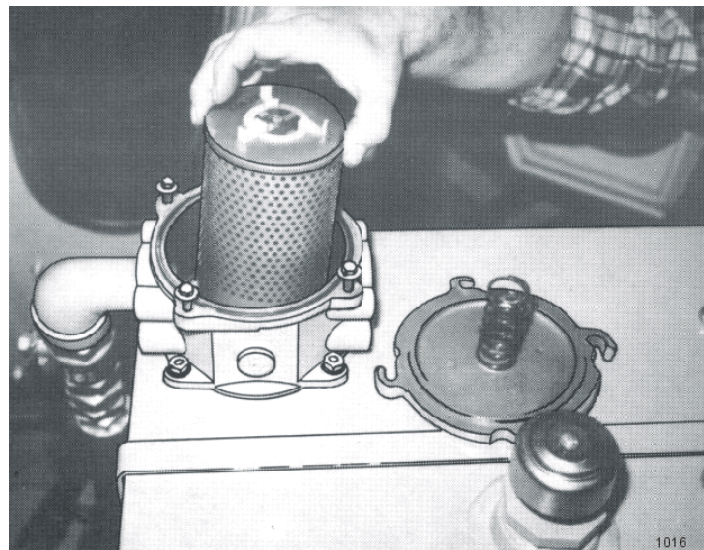
The reservoir should be filled to the top of the lower sight glass on the side of the tank. Do not over-fill. The reservoir has been over-filled when oil is visible in the upper sight glass. If tank has too much oil, the excess may be expelled through the pressurized breather.



DETAILED MAINTENANCE

REPLACEING IN-TANK HYDRAULIC FILTER:

Loosen the four bolts on the top cover of the filter housing. Turn cover counter-clockwise until cover is free. Remove and replace filter. Replace top cover and cover bolts in opposite order as removed.



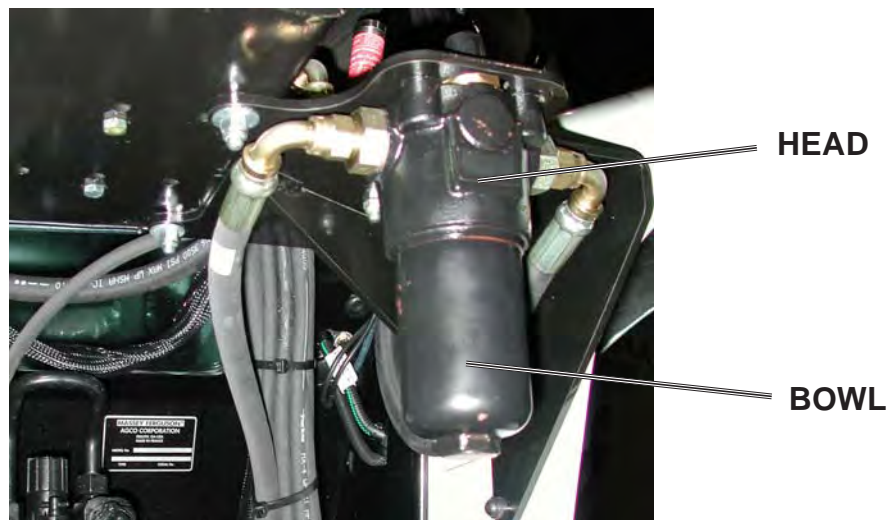
Maintenance Section 4-10

MAINTENANCE

DETAILED MAINTENANCE

REPLACING HIGH PRESSURE HYDRAULIC FILTER ELEMENT:

Assure system has been shut down and de-pressurized. Locate High Pressure Filter housing. Confirm that the element that is about to be installed matches the element p/n on the filter model tag. Example: V3.0510-06 (world line 100, HD049 model) Locate the bottom of the High Pressure Bowl, and use the appropriate spanner wrench –or- ratchet that matches the hex pattern. Using the spanner wrench -or- ratchet and turning in a counterclockwise rotation, (looking at the bottom of the bowl) remove the bowl from the head, The first couple rotations will seam tight as the o-ring passes the sealing flats, once the o-ring has cleared the sealing flats the bowl should spin freely. Taking care not to drop the bowl, finish removing the bowl from the head. **WARNING:** bowl will be full of oil! Pour the oil from the bowl into a container, this oil should be considered contaminated due to the flow direction through the element is outside ~ in. Clean the inside of the bowl if “dirt” is present. Remove the old element from the filter head by pulling with a rotation motion. Dispose of the used element properly. Remove the new element from the packaging. Using your finger, dab and lubricate the o-ring in the top of the new element. Install the new element into and on the mounting boss with in the head; assure that the element is fully seated on the boss. Clean and inspect the o-ring that is affixed in the bowl, lubricate with oil. Using a clockwise rotation, screw the bowl back into the head, assuring that the bowl has not been cross threaded into the head. Continue “tighten” the bowl into the head, using the spanner wrench –or- ratchet, the rotation of the bowl will become tighter once the o-ring engages the sealing flats. Once the bowl has been fully inserted into the head, and the o-ring has reached the sealing flats, the bowl can no longer be “tightened” and bottoms out. Once the bowl has bottomed out, “back-off” the bowl by 1/6 turn, this assures that the o-ring is seated properly with in the sealing flats. Element change out and re-assembly is now complete. Start the machine and inspect the filter area checking that there is no oil leaking from the filter assembly. This is first to be done at 50 hours of operation, then yearly(500 hours) or when indicated by restriction indicator.



MAINTENANCE

GREASING CUTTER SHAFT – FLAIL MOWERS

Locate grease zerks on each end of cutter shaft(s), these are located on the bearing cover. Normal conditions require one or two pump in each bearing, using Lithium-Complex Extreme Pressure grease conforming to NLGI2-ISO 320 specifications. This is to be done with a standard grease gun daily or at **8 hour intervals**.

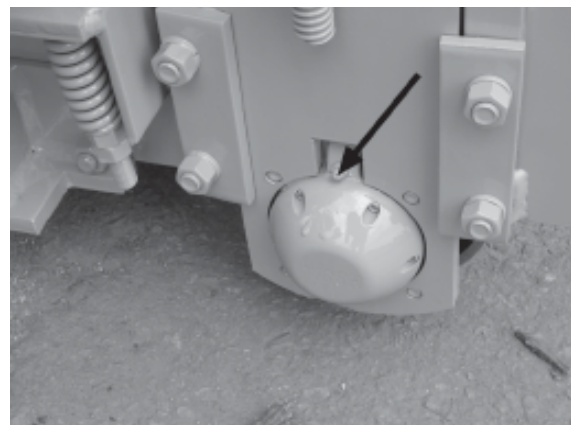
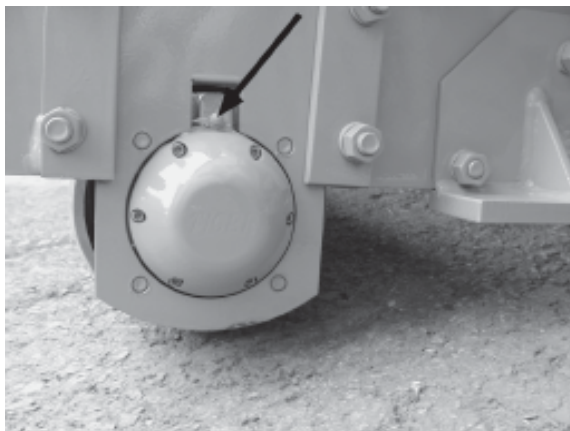
CAUTION: Over greasing may cause premature seal failure.



GREASING GROUND ROLLER SHAFT – FLAIL

Locate grease zerks on each end of roller tube at lower rear of head. Normal conditions require one or two pump in each bearing, using Lithium-Complex Extreme Pressure grease conforming to NLGI2-ISO 320 specifications. This is to be done with a standard grease gun daily or at **8 hour intervals**.

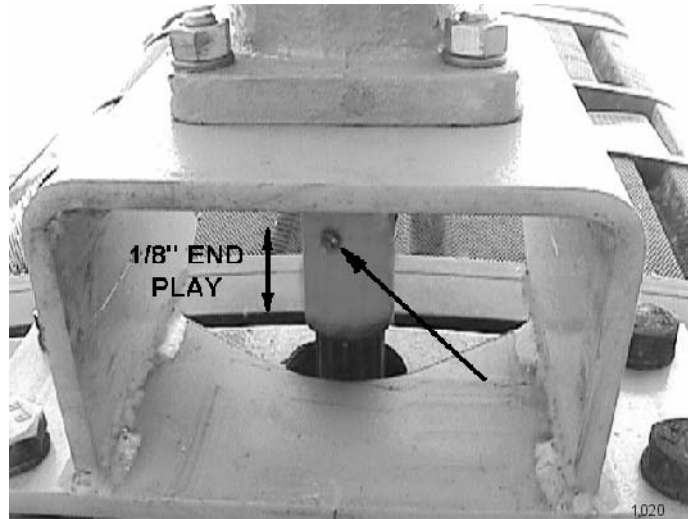
CAUTION: Over greasing may cause premature seal failure.



MAINTENANCE

GREASING PUMP DRIVE SHAFT COUPLER

With engine stopped, ensure drive shaft alignment by grasping coupler and sliding back and forth. Coupler should slide freely with approximately 1/8" of end play. If coupler does not slide freely, inspect for loose pump mount bolts, or damaged or loose crank shaft adapter. Inject Lithium-Complex Extreme Pressure grease conforming to NLGI2-ISO 320 specifications into coupler until grease begins to protrude from ends. Grease daily or every 8 hours. **Do not over grease.**



DRIVE SHAFT YOKE, U-JOINT & STUB SHAFT

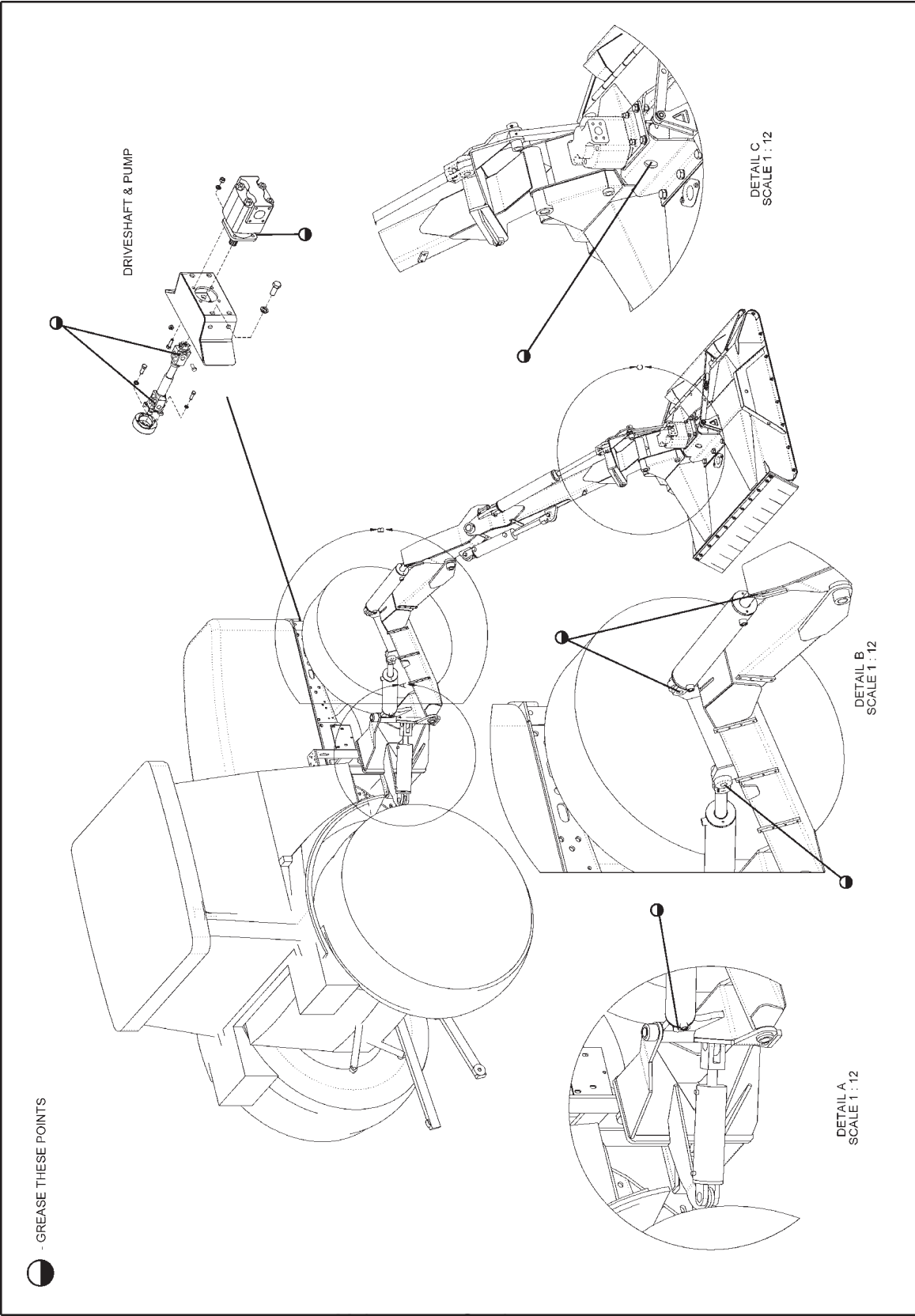
With engine stopped, inject Lithium-Complex extreme pressure grease conforming to NLGI2-ISO 320 specifications into universal joints and slip yoke until grease appears at the seal. Grease them daily or every 8 hours .



MAINTENANCE

VISUAL MAP OF GREASE POINTS

Please read the specific instructions for each area.



MAINTENANCE

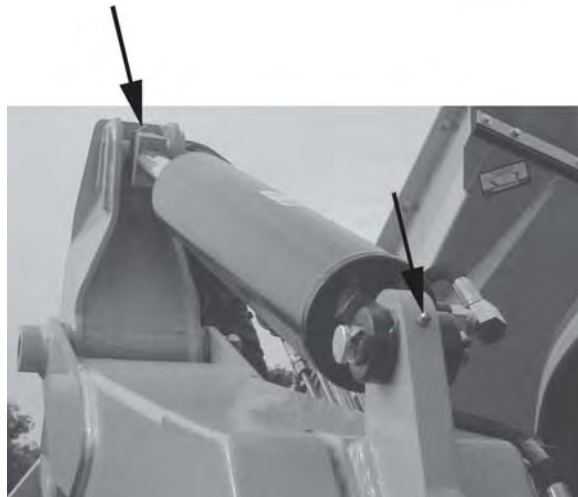
GREASELESS BEARINGS ON THE BOOM

The pivot points on the boom have greaseless bearings. Check the guide on the last page for greasing points.

NOTE: The new greaseless bearing is blackish/gray in color and should not be greased.

GREASING BOOM CYLINDERS

Locate the zerk on the butt end tang and on rod end tang of the main and secondary boom cylinder. Inject Lithium-Complex Extreme Pressure grease conforming to NLGI2-ISO 320 specifications until grease begins to protrude from ends. This procedure is to be performed daily or at 8 hour intervals.



GREASING SPINDLE

Locate grease fitting on inside of deck housing. Inject Tiger Spindle Lubricant, part number 06540000 into spindle housing. Fill with lubricant until lubricant weeps out of top spindle seal. Lubricate spindle at end of day while mower is still warm.

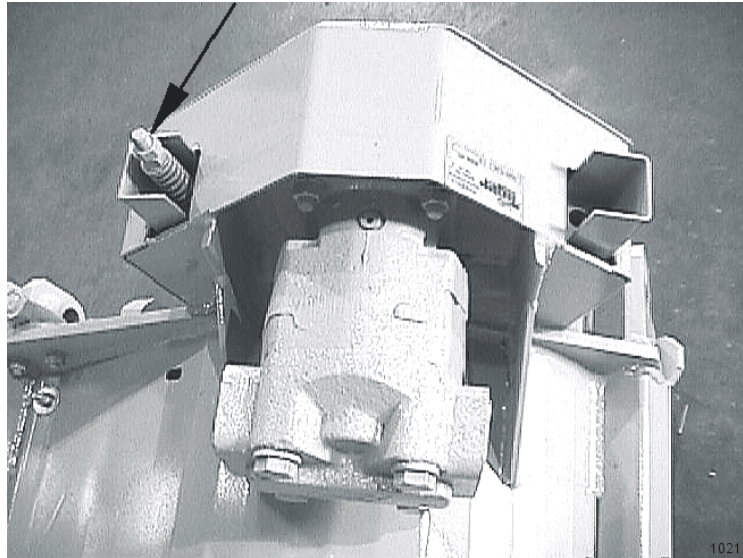


Maintenance Section 4-15

MAINTENANCE

ADJUSTING / CHECKING BELT TENSION

To adjust belt tension or replace belts on flail cutter head, remove four bolts that secure belt cover and remove cover. The hex nuts shown below can be adjusted to increase / decrease the belt tension as needed. (NOTE: Location of adjustment nuts may vary on flail cutter heads.) **Be sure to replace the belt cover BEFORE operating mower!**



DECK STOP ADJUSTMENT

Loosen locking nut. Turn adjustment bolt in, and run deck cylinder out to full extension. Adjust bolt out until the head just touches the boom, and tighten lock nut. **NOTE: Bolt should not hit boom before cylinder reaches full travel.**



MAINTENANCE

TIGHTENING KNIFE BOLTS AND DISK BOLTS:

After every 8 hours of operation or daily, the Knife Bolts and Disk Bolts should be tightened as follows:

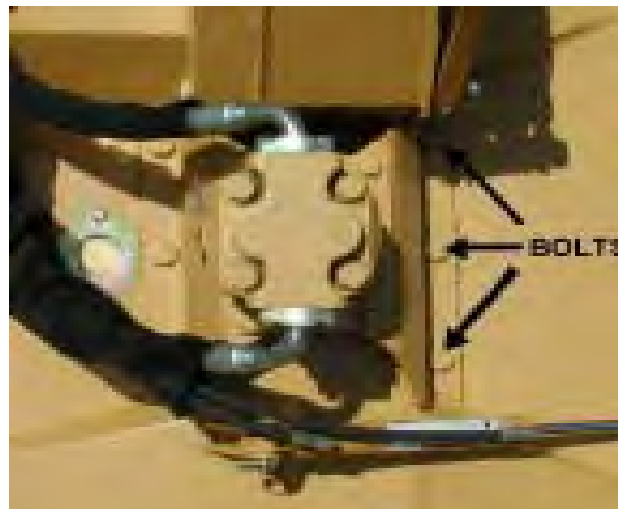
Knife mounting bolts (3ea.) torque to 1070 dry or 800 oiled ft. lbs.(Recomended oiled)

Disk mounting bolts (6ea.) torque to 204 dry or 184 oiled ft. lbs.(Recomended oiled)



TIGHTENING SPINDLE BOLTS

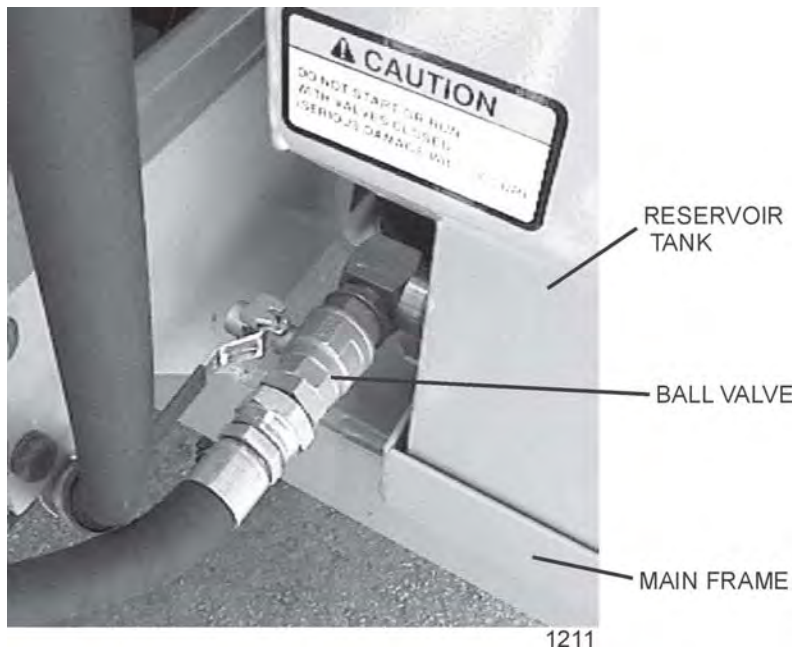
The spindle mounting bolts should be checked and retorqued daily or every 10 hours of service. Torque the (6) bolts shown below to 331 ft. lbs.



MAINTENANCE

BALL VALVES

The ball valve at the hydraulic reservoir may need to be closed during certain maintenance or repair procedures. **THE BALL VALVES MUST BE OPEN (handle parallel with valve) WHEN TRACTOR IS RE-STARTED OR PUMP IS COUPLED TO MOTOR OR P.T.O. !** Failure to do so will result in component failure!



MAINTENANCE

INSPECTION OF ROTARY KNIFE

CAUTION!



Failure to follow the following warnings and instructions may result in serious injury or damage to the equipment or property!

- 1 – **DO NOT** weld on the knives or bolts. Damaged or worn knives must be replaced.
- 2 – Knives must be replaced in sets. **Knives with unequal wear may cause serious vibration and resulting structural damage to the mower.**
- 3 – The self-locking nuts for the knife mounting bolts must **NOT** be reused. If the self-locking nut is removed from the knife mounting bolt, the nut **must** be replaced with a new self-locking nut.
- 4 – Inspect the condition and tightness of the knife mounting bolts and disk mounting bolts daily.

ROTARY KNIFE REPLACEMENT

- 1 – Be sure you have a complete matching set of new knives for replacement.
- 2 – Remove knives and inspect holes for damage. Also watch for cracks in the disk around the holes.
- 3 – Install bolt through knife and disk from bottom side of disk. Install new self-locking nuts and torque them to 1070 dry or 800 oiled ft. lbs. It is recommended that they are oiled.
- 4 – The knives should swing freely to absorb shocks from impact when striking objects.

WARNING!



WHEN CUTTING HEAVY BRUSH, KNIFE BOLTS SHOULD BE INSPECTED HOURLY AND RETORQUED TO 1070 DRY OR 800 OILED FT. LBS.

MAINTENANCE

REPLACEMENT OF ROTARY DISK

CAUTION!



Failure to follow the following warnings and instructions may result in serious injury or damage to the equipment or property!

- 1 – The bolts that attach the disk to the spindle must be grade 8. These 5/8 inch bolts are to be torqued to 204 dry or 184 oiled ft. lbs.
- 2 – A thread locking agent may be applied to threads of all mounting bolts before they are installed.
- 3 – **Disks must be inspected daily for hairline cracks between spindle mounting bolts or around the knife mounting bolts. These cracks indicate metal fatigue caused by severe abuse. If cracks are present the disk must be replaced.**
- 4 – Inspect the disk mounting bolts daily when checking tightness of knife mounting bolts. If a disk mounting bolt is loose, it must be removed, threads cleaned, fresh thread locking agent applied, and tightened to proper torque value.
- 5 – If a knife mounting bolt is loose, the self locking nut must be replaced as a safety precaution. Install bolts through knife and disk from bottom side of disk. Install self locking nuts and torque them to 1070 dry or 800 oiled ft. lbs. It is then recommended that the head of the knife mounting bolt be struck sharply with a hammer and self locking nuts retorqued to 1070 dry or 800 oiled ft. lbs.

50” FLAIL KNIFE BLADE REPLACEMENT

- 1 – If knives are damaged or badly worn, they will need to be replaced as a set. **Replacing a single knife can cause severe vibration and possible damage to the mower. The knife should not be welded on for any reason.**
- 2 - Always replace the knife bolts when replacing the knives. **DO NOT REUSE THE KNIFE BOLTS OR NUTS.**
- 3 – Assemble knives, bushings, bolts and nuts as shown in part section of the manual.
- 4 – Install the locking hex nut so that the flat face of the nut is towards the knife.
- 4 – Apply loctite “271” to threads.
- 5 – Torque nut to 176 ft lbs. Knife must swing freely.

WARNING!



DO NOT re-use the locking hex nuts for mounting the knives. If hex nut become loose, or require removal for knife replacement or any other reason, they must be discarded and replaced with new nuts.

MAINTENANCE

50" BOOM FLAIL KNIFE REPLACEMENT (Old style cutter shaft)

1 – If knives are damaged or badly worn, they will need to be replaced as a set.
Replacing a single knife can cause severe vibration and possible damage to the mower.

2 – Assemble knives, bushings, collars, bolts and nuts as shown in part section of manual.

3 – Install locking hex nut so that the flat face of nut is towards the knife.

4 – apply loctite "271" to threads.

5 – Torque nut to 108 FT. LBS.

WARNING!



DO NOT re-use the locking hex nuts for mounting the knives. If hex nut become loose, or require removal for knife replacement or any other reason, they must be discarded and replaced with new nuts.

WARNING!



Knives should not be welded on for any reason.

63" BOOM FLAIL KNIFE REPLACEMENT

1 – If knives are damaged or badly worn, they will need to be replaced as a set.
Replacing a single knife can cause severe vibration and possible damage to the mower.

2 – Assemble knives, clevis, bolts and nuts as shown in part section of manual.

3 – Install locking hex nut so that the flat face of nut is towards the knife.

4 – apply loctite "271" to threads.

5 – Torque nut to 54 FT. LBS.

WARNING!



DO NOT re-use the locking hex nuts for mounting the knives. If hex nut become loose, or require removal for knife replacement or any other reason, they must be discarded and replaced with new nuts.

WARNING!



Knives should not be welded on for any reason.

MAINTENANCE

HEAVY DUTY SPINDLE ASSEMBLY INSTALLATION AND BEARING ADJUSTMENT

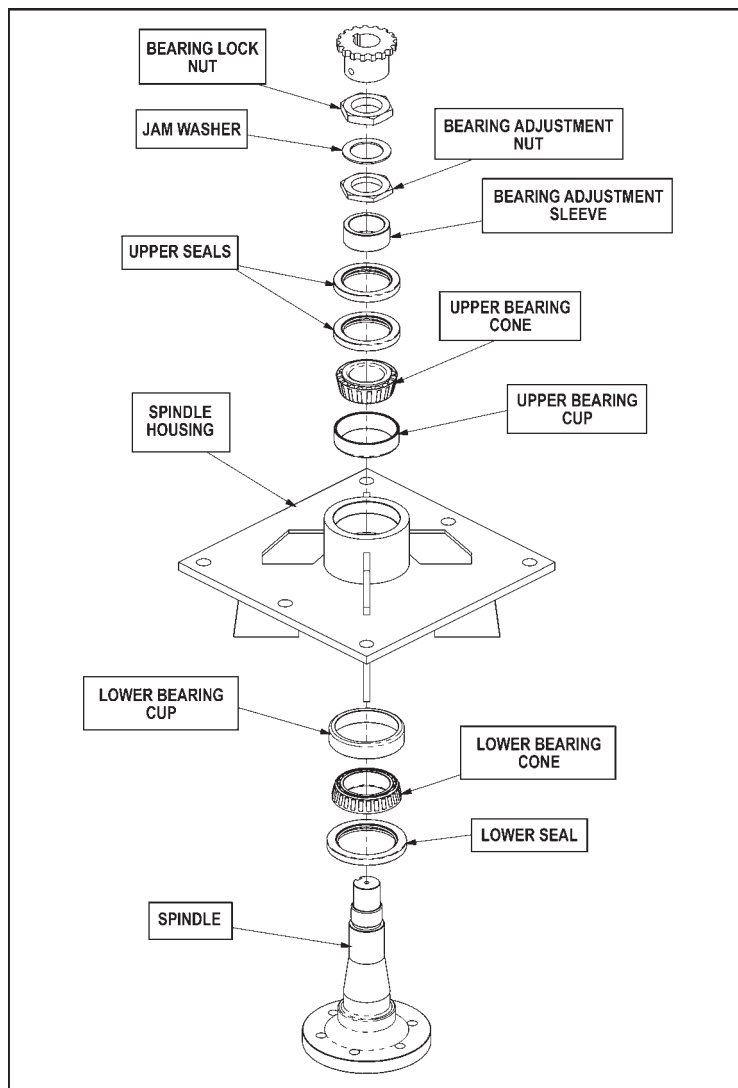
WARNING! A press MUST be used to install bearing cups, bearing cones, and seals. DO NOT use a hammer to install races, bearings, or seals. The parts of assembly may be damaged.

NOTE: The grease zerk and gussets are located on the top side of the spindle housing. Be sure the spindle is assembled correctly.

Be sure to wear eye protection and other protective equipment as needed when working on spindle assembly.

THE SPINDLE ASSEMBLY

See the diagram below for identification of spindle parts, while servicing.

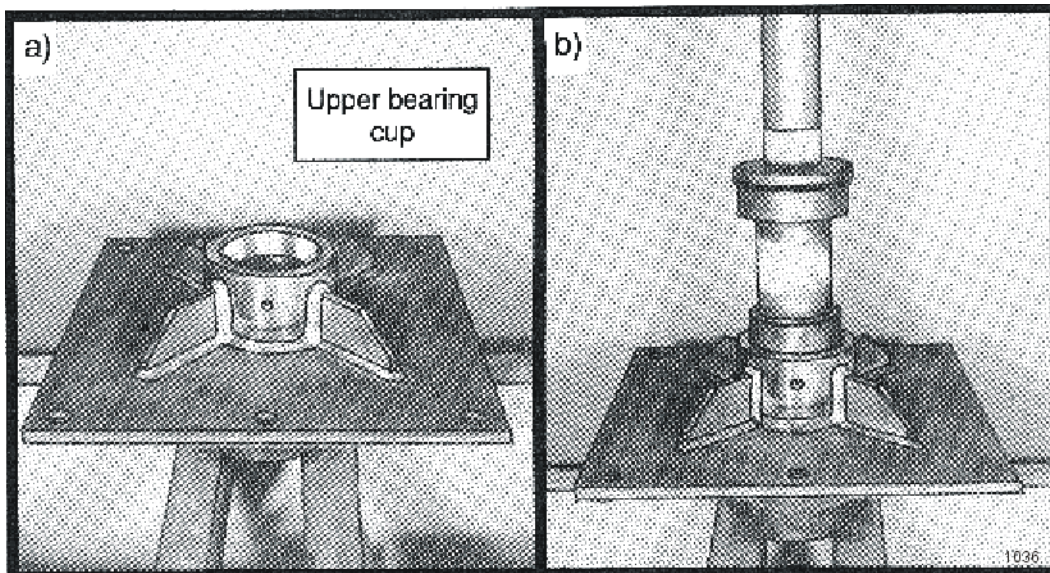


Maintenance Section 4-22

MAINTENANCE

BEARING INSTALLATION

- 1 – Press upper bearing cup into the spindle housing.
 - 2 – Turn the spindle housing over and press in the lower bearing cup.
 - 3 – Place the lower bearing cone in the bearing cup. Next press the seal into the spindle housing. The inner lip of the seal must be DOWN, towards the bearing, so lubricant is sealed inside the housing.
 - 4 – Install the spindle in the housing. Lightly tap the end of the spindle with a soft faced hammer to seat the spindle against the bearing inner race.
 - 5 – Turn the spindle housing over (up position) and fill with Tiger Spindle Lubricant (part number 06540000) to the top edge of the upper bearing cup.
 - 6 – Support the bottom of the spindle and press the upper bearing cone and bearing adjustment sleeve onto the spindle.
- NOTE: The spindle housing must turn freely when seating the bearing cone and sleeve.
- 7 – Press the two upper seals into the spindle housing. The inner lip of the seals must be UP, away from the bearing, so excess lubricant can escape.
 - 8 – Install the bearing adjustment nut (thin nut) so there is 1/16" clearance between the nut and the sleeve. Install the jam washer, placing the tab into the key-way. Install the bearing lock nut (thin nut) and hand tighten against jam washer and adjustment nut. See the following section for bearing adjustment.



MAINTENANCE

BEARING ADJUSTMENT

1 – Clamp the bottom end of the spindle securely in a vise so the spindle housing turns freely.

2 – Position a magnetic base dial indicator on the outer diameter of the spindle housing. Locate the end of the dial indicator against the flat end of the spindle shaft. The dial indicator will now measure accurately bearing end play.

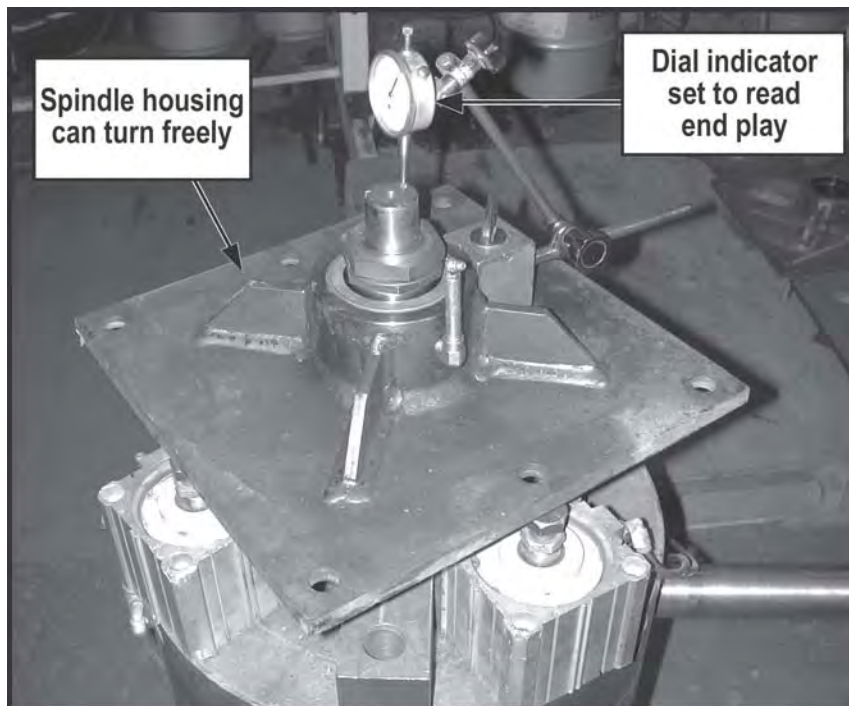
3 – Tighten the bearing adjustment nut until there is .012 inch movement when the spindle housing is pried upward away from the vise jaws.

4 – When there is .012 inch free play between the spindle and housing, install the bearing lock nut (thick nut). Hold the adjusting nut securely and tighten the lock nut to 300 ft. lbs. of torque.

5 – After the lock nut is tightened, there must be .001 inch to .003 inch of free play when lightly prying up on the spindle housing.

If the end play is correct, .001 inch to .003 inch, bend tabs up on jam washer to prevent the lock nut from loosening.

If the end play is NOT correct, loosen the lock nut and turn the adjustment nut as required and re-tighten the lock nut. Repeat first part of step 5.



MAINTENANCE

DAILY MAINTENANCE SCHEDULE

The following services should be performed **daily** or every **8 hours** of service, following the detailed maintenance instructions in the operators manual.

- _____ Pump Drive Shaft: If required with drive shaft / coupler check for end play and lubricate at zerks.
- _____ Crankshaft adapter: If equipped with rubber grommets check condition, replace if missing or damaged.
- _____ Non-Greaseless Pivot points: Inject grease until it appears at ends. (Check Maintenance Section)
- _____ Hydraulic fittings: Check for leaks with paper or cardboard. Tighten fittings or replace hoses immediately.
- _____ Knives: Inspect for missing or damaged knives, change (only complete sets) as needed.
- _____ Belts: Check / Tighten / Replace belts as needed.
- _____ Main Frame / Deck: Unless otherwise specified retorque bolts according to torque specifications in this section.
- _____ Hydraulic Fluid Level: Add, if required, per fluid recommendations.
- _____ Rear Flail Drive, Bearing
Flange and Shaft Couplers: Grease as instructed in the detailed (if applicable) maintenance section.
- _____ Cutter Shaft and Ground Roller: Grease as instructed in the detailed maintenance section

Service performed by: _____ Date: ___/___/___ Hour
Meter: _____

Maintenance Section

** This page may be copied and used as part of the daily maintenance routine.

MAINTENANCE

NEW HOLLAND T6000 BENGAL BRUTE

PARTS SECTION

PARTS ORDERING GUIDE

The following instructions are offered to help eliminate needless delay and error in processing purchase orders for the equipment in this manual.

1. The Parts Section is prepared in logical sequence and grouping of parts that belong to the basic machine featured in this manual. Part Numbers and Descriptions are given to help locate the parts and quantities required.

2. The Purchase Order must indicate the **Name and Address** of the person or organization ordering the parts, **who should be charged**, and if possible, the **serial number of the machine** for which the parts are being ordered.

3. The purchase order must clearly list the **quantity of each part**, the complete and correct **part number**, and the basic **name of the part**.

4. The manufacturer reserves the right to substitute parts where applicable.

5. Some parts may be unlisted items which are special production items not normally stocked and are subject to special handling. Request a quotation for such parts before sending a purchase order.

6. The manufacturer reserves the right to change prices without prior notice.

NOTE: When ordering replacement decals, refer to the part numbers and descriptions listed in the safety section in the front of this manual.



1000

For maximum safety and to guarantee optimum product reliability, always use genuine **Tiger** replacement parts. The use of inferior replacement parts may cause premature or catastrophic failure which could result in serious injury or death.

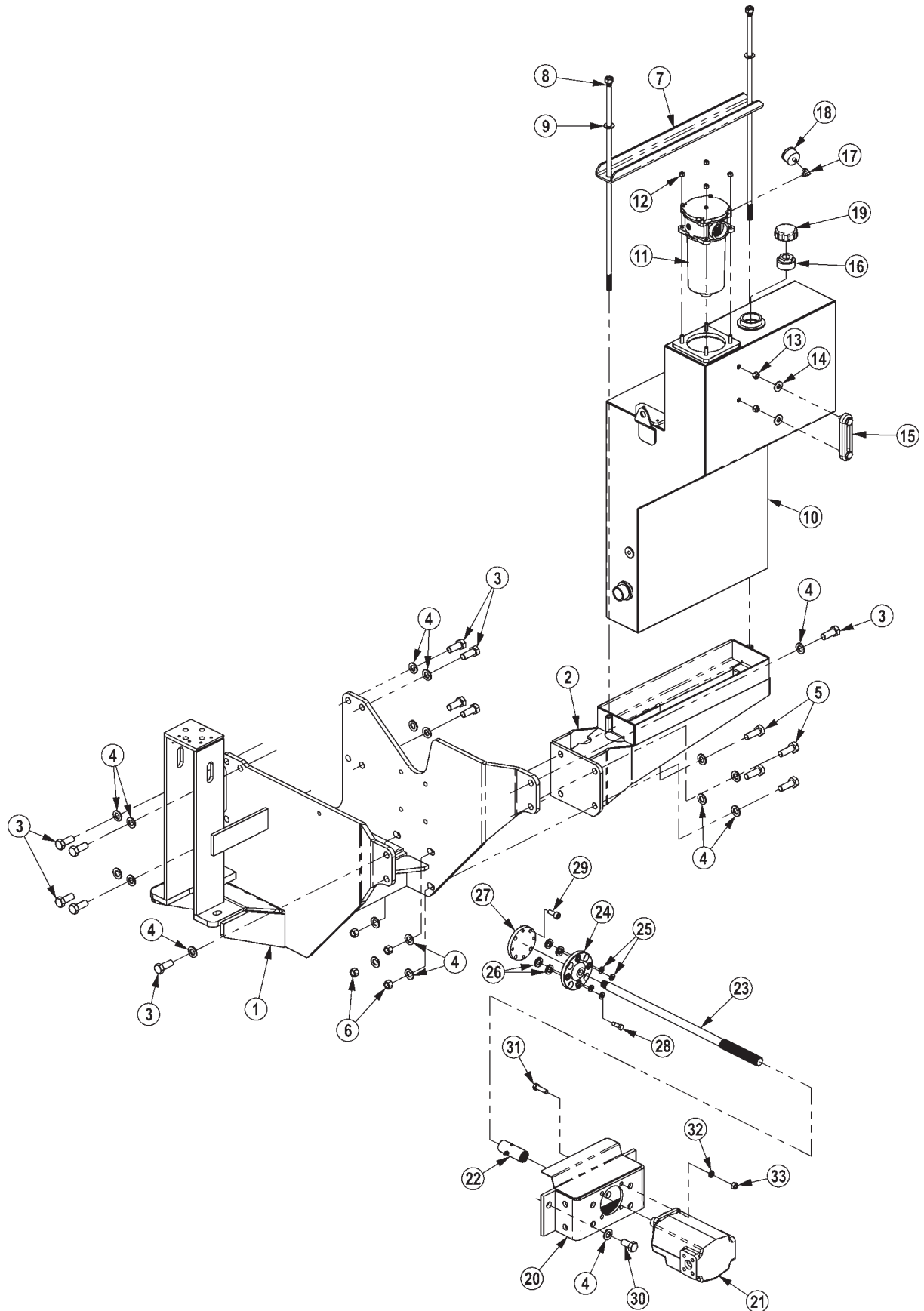
Direct any questions regarding parts to:

Tiger Corporation
3301 N. Louise Ave.
Sioux Falls, SD 57107
1-800-843-6849
1-605-336-7900

PARTS SECTION TABLE OF CONTENTS

SECTION	ASSEMBLY	PAGE
TRACTOR SPECIFIC PARTS:		
TRACTOR MOUNT KIT – MAIN FRAME	06101461	5-4
4 CYL TRACTOR MOUNT KIT – HYDRAULICS	06101461	5-6
6 CYL TRACTOR MOUNT KIT – HYDRAULICS	06101467	5-8
AXLE BRACE & BATTERY BOX	06101211	5-10
TRACTOR MOUNT KIT - SWEEPER MOUNT	06200631	5-12
BOOM MOUNT KIT		5-14
4 SP CABLE CONTROLS & SELECTOR VALVE		5-16
LIFT VALVE - 4 SP HUSCO, LS LRS	06101214	5-18
LIFT VALVE - 4 SP HUSCO, PB LRS	06101531	5-20
5 SP CABLE CONTROLS & SELECTOR VALVE		5-22
LIFT VALVE - 5 SP HUSCO, LS LRS	06101214	5-24
LIFT VALVE - 5 SP HUSCO, PB LRS	06101531	5-26
JOYSTICK AND SWITCH BOX		5-28
LIFT VALVE - 5 SP DANFOSS, LS LRS	06101214	5-30
LIFT VALVE - 5 SP DANFOSS, PB LRS	06101531	5-32
MIRROR BRACKET		5-34
POLYCARBONATE SAFETY WINDOW		5-36
EXHAUST MOUNT - 4 CYLINDER		5-38
EXHAUST MOUNT - 6 CYLINDER		5-39
WHEEL WEIGHT		5-40
BRAKE VALVE ASSEMBLY W/ METRI PAK		5-41
SELECTOR VALVE & SWITCH BOX (HUSCO)	06510049	5-42
JOYSTICK AND SWITCH BOX WIRING		5-43
SWITCH BOX SCHEMATIC (DANFOSS)		5-44
SELECTOR VALVE SCHEMATIC		5-45
TROUBLESHOOTING		5-46
HYDRAULIC - TROUBLESHOOTING GUIDE		5-48
ELECTRICAL - TROUBLESHOOTING GUIDE		5-49
COMMON PARTS SECTION:		6-1

TRACTOR MOUNT KIT - MAIN FRAME

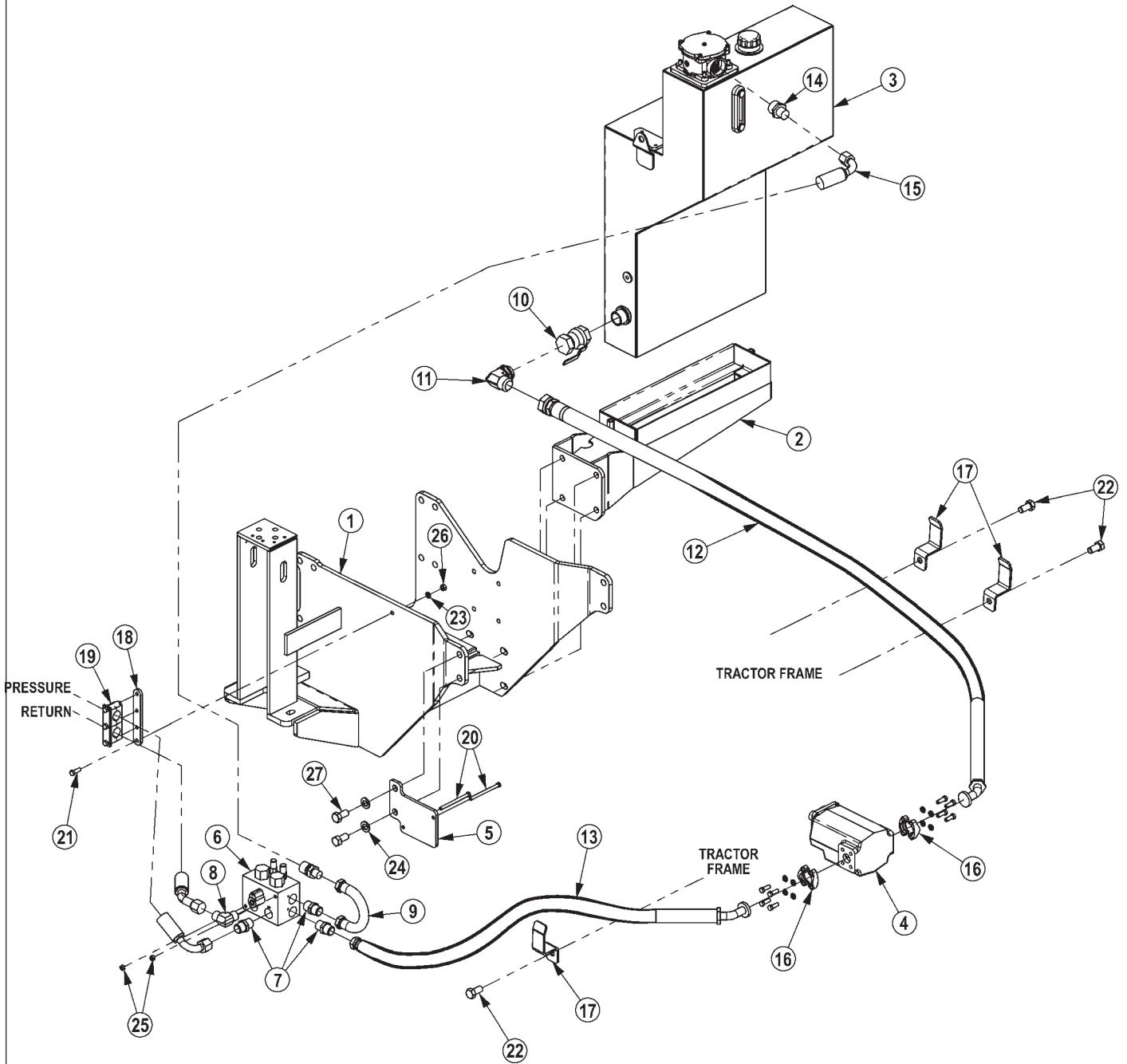


Parts Section 5-4

TRACTOR MOUNT KIT - MAIN FRAME

ITEM	PART NO.	QTY.	DESCRIPTION
1	06300009	1	MNFRM,NHTSA115 (ON 6CYL TRACTORS)
	06300014	1	MNFRM,NHTSA100 (ON 4CYL TRACTORS)
2	06300060	1	MNT,HYDRO TANK,JD6000 (ON 6CYL TRACTORS)
	06300080	1	MNT,TANK,NHT6010 (ON 4CYL TRACTORS)
3	31731	12	CAPSCREW,20MMX50MM(2.5 PITCH)
4	33880	26	FLATWASHER,3/4,GR 8,SAE
5	21833	4	CAPSCREW,3/4 X 2-1/4 NC
6	21825	4	HEX NUT,3/4 NC
7	06410352	1	CHANNEL,MNT,TANK,TIE-BOLT
8	06380014	2	TIE BOLT,SIDE TANK,HYDRO
9	33764	2	FLATWASHER,5/8,GR 8,SAE
	06700090	*	TANK,RES,JD6000,ASSY
10	06380012	1	TANK,RES,JD60004WD(34GAL)
11	06505044	1	FLTR ASSY,IN-TANK CPLT,SAE10MP
12	21627	4	NYLOCK NUT,3/8 NC
13	21725	2	HEX NUT,1/2 NC
14	22018	2	FLATWASHER,1/2,WIDE
15	06505067	1	SIGHT GAUGE,JD6000,TANK,34GAL
16	33700	1	REDUCER BUSHING,2MPX3/4FPHEX
17	TF4888	1	STREET ELBOW,1/8 X 90
18	6T0649	1	FILTER GAUGE
19	31004	1	CAP,PRESSURE,3.0PSI,3/4MP
20	32408	1	PUMP MTG BRKT,FD81-8560
21	23152	1	PUMP,P350-1 3/4 GEAR
22	6T0375B	1	COUPLING,14 SPLINE,W/ZERK,4
23	34624	1	DRV SHF,PMP,28 13/16
	6T0389	*	CRNKSHFT ADPT,IHC 885
24	31674	1	CRNKSHFT ADPT,IHC 895 W/O WASH
25	24937	4	FLATWASHER,7/16,SAE
26	06537004	4	WASHER,NEOPRENE,.75x1.25x.19
27	06420006	1	SPACER,DRV SHFT,TSA 100-135
28	06535000	4	CAPSCREW,7/16 X 1-1/4 CUTOFF
29	06530504	4	CAPSCREW,12MMx45MM (ON 6CYL TRACTORS)
	06530503	4	CAPSCREW,12MMx30MM (ON 4CYL TRACTORS)
30	24860	6	CAPSCREW,20mmx40mm(2.5P)10.9
31	21732	4	CAPSCREW,1/2 X 1-3/4 NC
32	21990	4	LOCKWASHER,1/2
33	21725	4	HEX NUT,1/2 NC

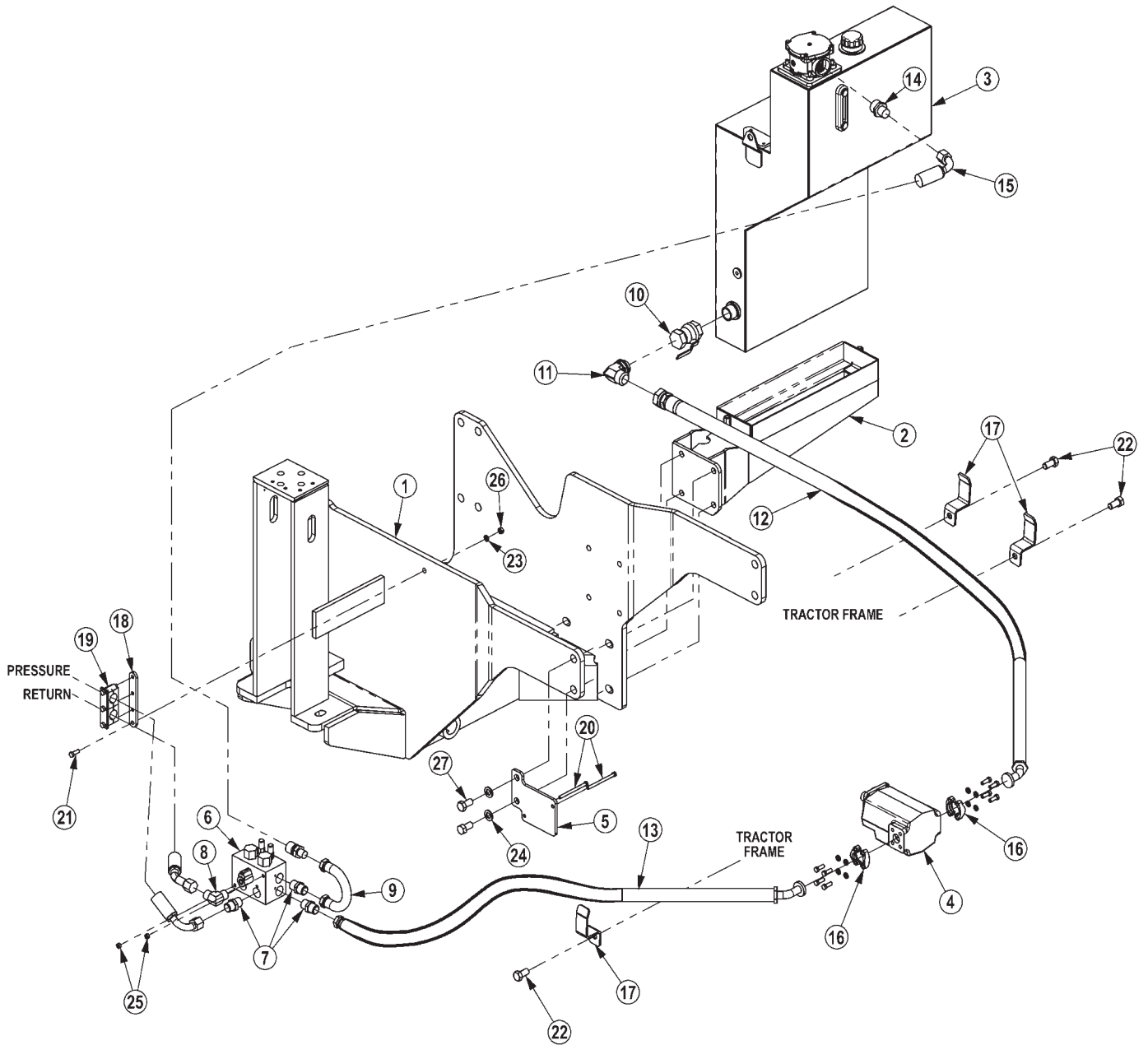
4 CYL. TRACTOR MOUNT KIT - HYDRAULICS, BRAKE VALVE



4 CYL. TRACTOR MOUNT KIT - HYDRAULICS, BRAKE VALVE

ITEM	PARTNO.	QTY.	DESCRIPTION
1	06300014	1	MNFRM,NHTSA100
2	06300080	1	MNT,TANK,NHT6010
3	06700090	1	TANK,RES,JD6000,ASSY
4	23152	1	PUMP,P350-1 3/4 GEAR
5	06400114	1	MNT,BRAKE VALVE,TSA
6	06510083	1	VALVE,BRAKE,SOL,3000PSI,METRI
7	33555	3	ADAPTER,1MORBx1MJIC
8	34117	1	ELBOW,1MOR X 1MJ90,FORGED
9	06506012	1	PRFRMD,BRKVLV,4x1FJXx1FJX(180)
10	34309	1	BALL VALVE,1 1/2 FOR
11	34655	1	ELBOW,1-1/2ORBx1-1/2MJ
12	06500294	1	HOSE,1 1/2x74(20FLG45x1 1/2FJX
13	06500066	1	HOSE,1x37(1FJXx20FLG45)
14	34064	1	ADAPTER,1 1/4MOR X 1MJ
15	34158	1	HOSE,1X102(1FJX90X1MJ)
16	TF4852	2	KIT,FLANGE,#20
17	32382	3	BRACKET,HOSE
18	35271	1	CLAMP PLATE,MID
19	35131	1	CLAMP KIT,COOLER,TRUCKAT
20	21644	2	CAPSCREW,3/8 X 5 NC
21	21682	1	CAPSCREW,7/16 X 1-3/4 NC
22	24860	5	CAPSCREW,20mmx40mm(2.5P)10.9
23	21989	1	LOCKWASHER,7/16
24	33880	2	FLATWASHER,3/4,GR 8,SAE
25	21627	2	NYLOCK NUT,3/8 NC
26	21675	1	HEX NUT,7/16 NC

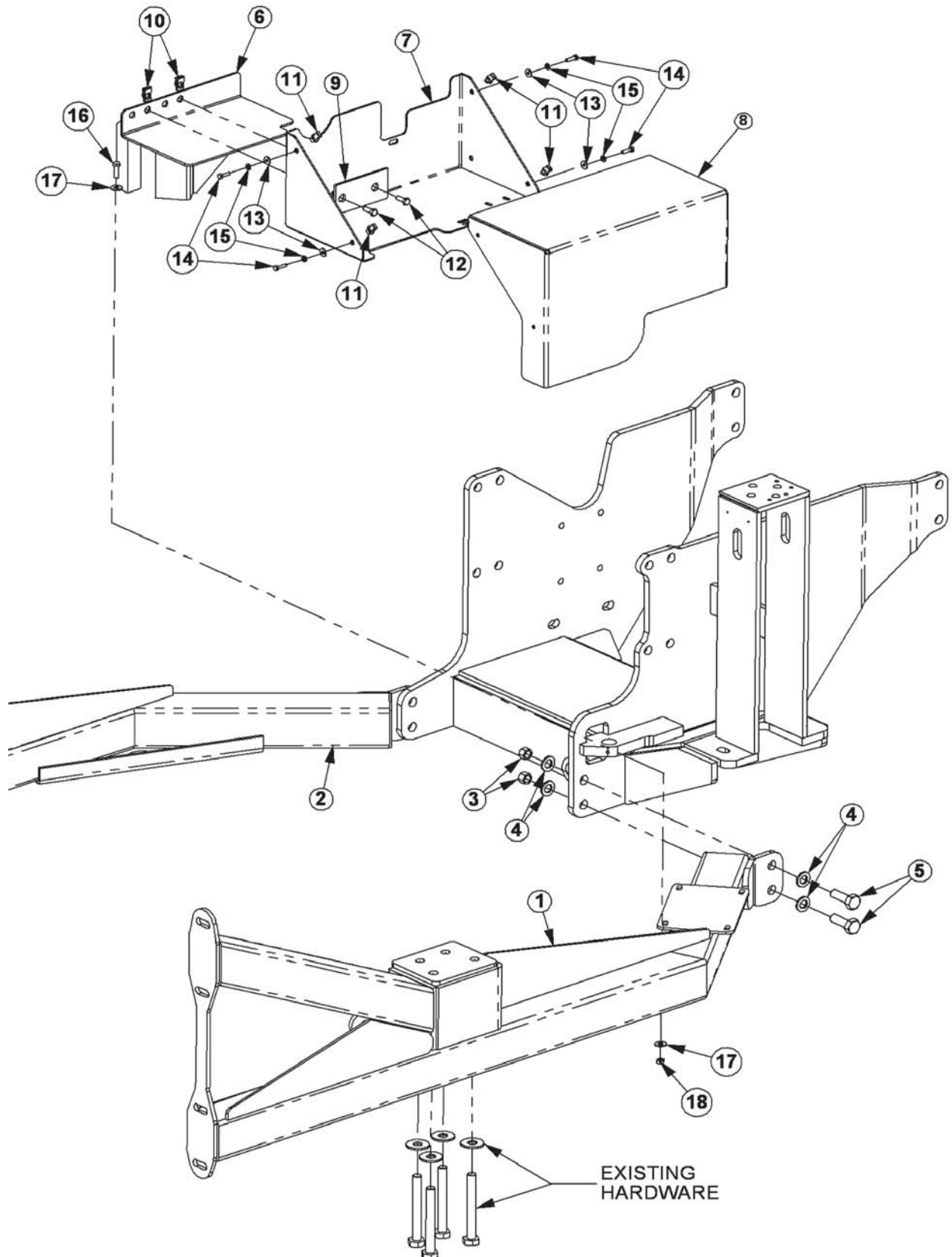
6 CYL. TRACTOR MOUNT KIT - HYDRAULICS, BRAKE VALVE



6 CYL. TRACTOR MOUNT KIT - HYDRAULICS, BRAKE VALVE

ITEM	PART NO.	QTY.	DESCRIPTION
1	06300009	1	MNFRM,NHTSA115
2	06300060	1	MNT,HYDRO TANK,JD6000
3	06700090	1	TANK,RES,JD6000,ASSY
4	23152	1	PUMP,P350-1 3/4 GEAR
5	06400114	1	MNT,BRAKE VALVE,TSA
6	06510083	1	VALVE,BRAKE,SOL,3000PSI,METRI
7	33555	3	ADAPTER,1MORBX1MJIC
8	34117	1	ELBOW,1MOR X 1MJ90,FORGED
9	06506012	1	PRFRMD,BRKVLV,4x1FJXx1FJX(180)
10	34309	1	BALL VALVE,1 1/2 FOR
11	34655	1	ELBOW,1-1/2ORBx1-1/2MJ
12	06500309	1	HOSE,1 1/2x70(20FLG45x1 1/2FJX
13	06500066	1	HOSE,1x37(1FJXx20FLG45)
14	34064	1	ADAPTER,1 1/4MOR X 1MJ
15	06500304	1	HOSE,1x106(1FJX90x1MJ)
16	TF4852	2	KIT,FLANGE,#20
17	32382	3	BRACKET,HOSE
18	35271	1	CLAMP PLATE,MID
19	35131	1	CLAMP KIT,COOLER,TRUCKAT
20	21644	2	CAPSCREW,3/8 X 5 NC
21	21682	1	CAPSCREW,7/16 X 1-3/4 NC
22	24860	3	CAPSCREW,20mmx40mm(2.5P)10.9
23	21989	1	LOCKWASHER,7/16
24	33880	2	FLATWASHER,3/4,GR 8,SAE
25	21627	2	NYLOCK NUT,3/8 NC
26	21675	1	HEX NUT,7/16 NC
27	31731	2	CAPSCREW,20mmx50mm(2.5P)

AXLE BRACE & BATTERY BOX

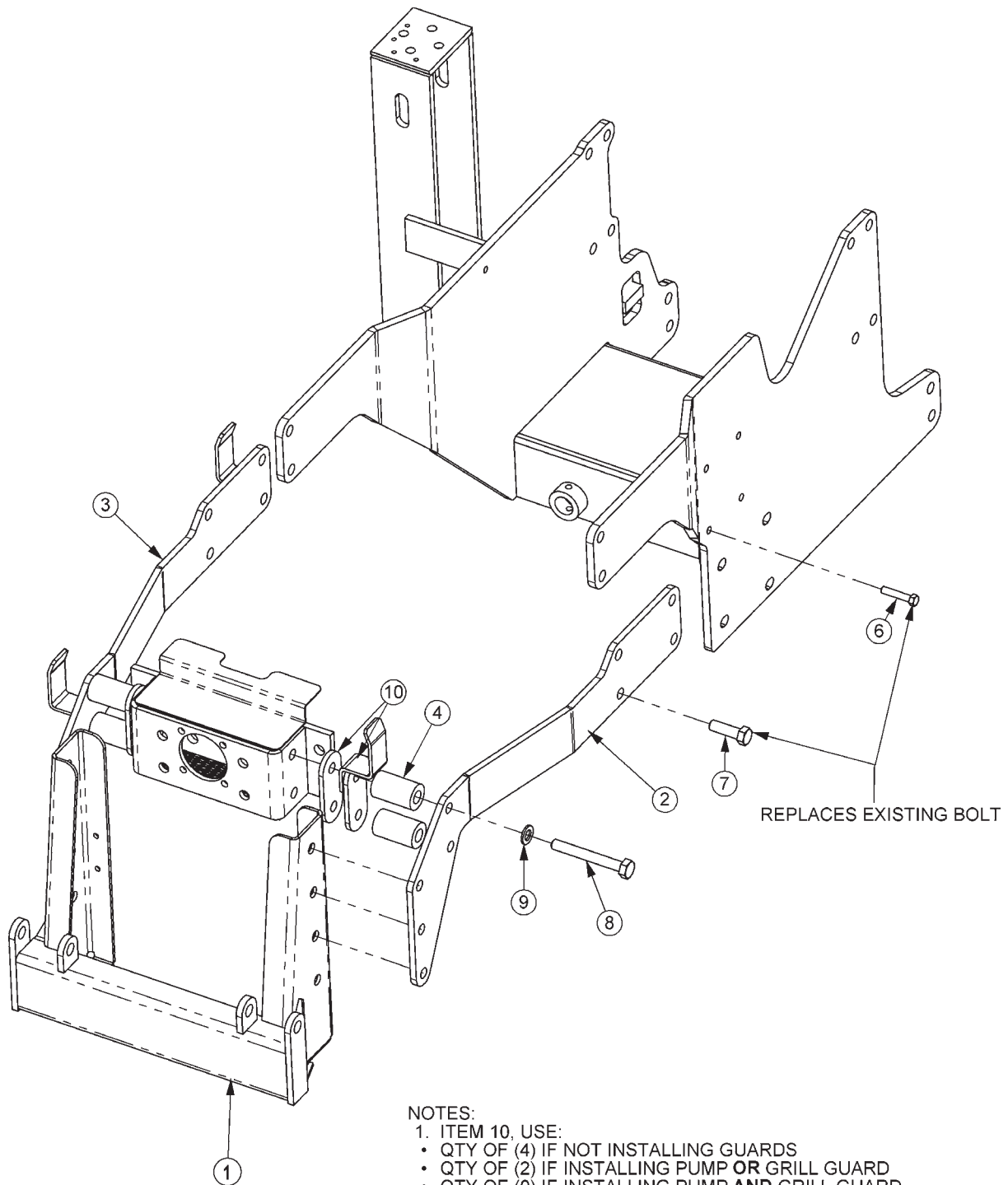


Parts Section 5-10

AXLE BRACE & BATTERY BOX

ITEM	PART NO.	QTY.	DESCRIPTION
1	06300031	1	AXL BRC RH,TS115A,REAR STOW
2	06300032	1	AXL BRC,LH,TS115A,REAR STOW
3	21825	2	HEX NUT,3/4,NC
4	33880	4	FLATWASHER,3/4",GR 8,SAE
5	21833	2	CAPSCREW, 3/4 x 2 1/4,NC
6	06370160	1	MNT,BATT BOX,T6000,RS
7	06410146	1	COVER,BOT,BATT,TS100A
8	06410145	1	COVER,TOP,BATT,TS100A
9	32739	1	PAD,BTRY BOX
10	06537029	2	U-NUT,3/8NC,3/4 TO CENTER
11	35176	4	U-NUT,1/4,3/4 TO CENTER
12	21630	2	CAPSCREW, 3/8 x 1,NC
13	22014	4	FLATWASHER,1/4"
14	21530	4	CAPSCREW,1/4" X 1" NC
15	21986	4	LOCKWASHER, 1/4"
16	21631	4	CAPSCREW, 3/8x1 1/4,NC,GR8
17	22016	8	FLATWASHER,3/8",GR8
18	21627	4	NYLOCK NUT,3/8",NC

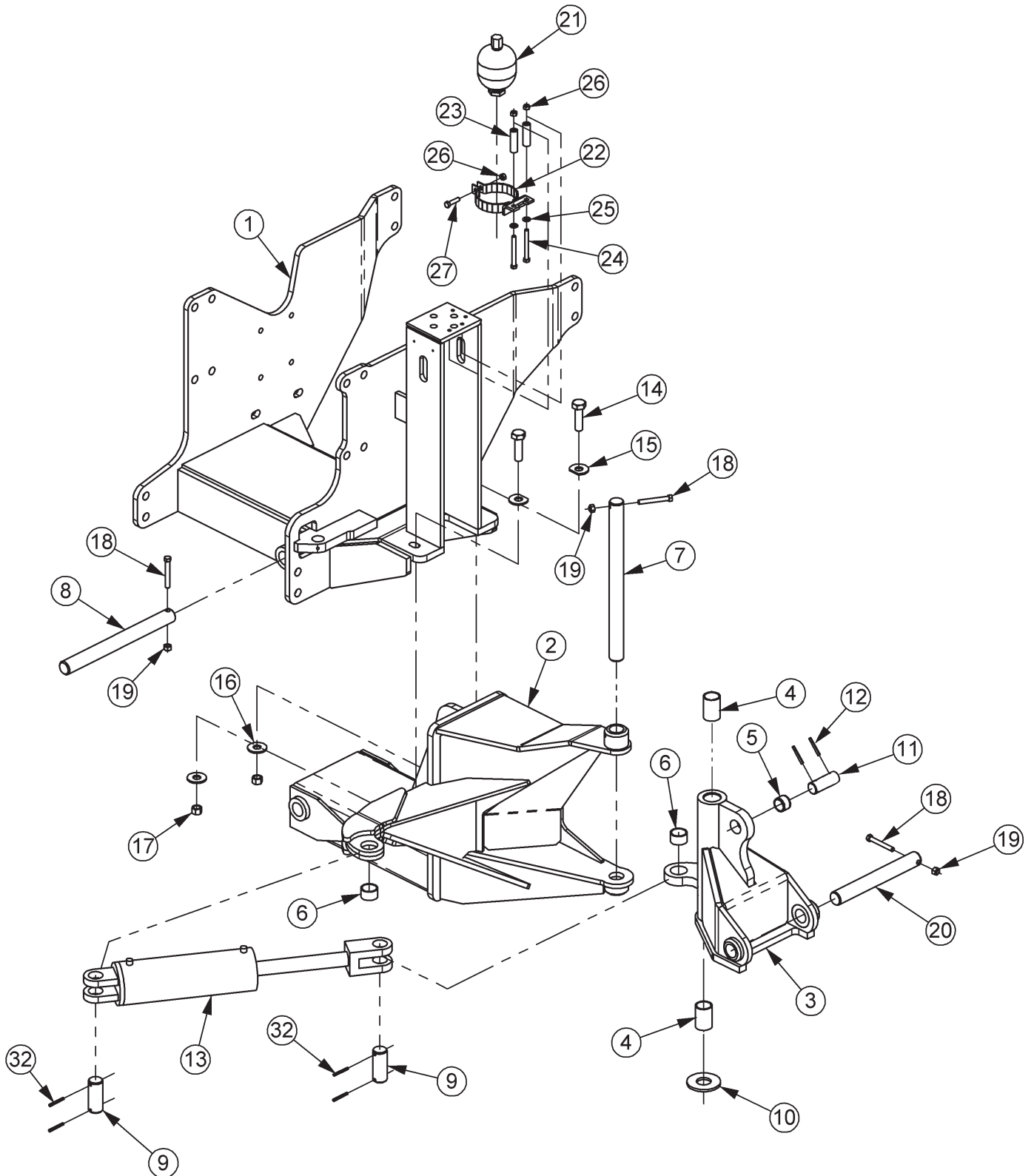
TRACTOR MOUNT KIT - SWEEPER MOUNT



TRACTOR MOUNT KIT - SWEEPER MOUNT

ITEM	P/N	QTY.	DESCRIPTION
1	34857	1	MTG,THS
2	06410443	1	MNT,LH,SWPR,CNH,TSA
3	06410442	1	MNT,RH,SWPR,CNH,TSA
4	06430049	4	SPACER,2.00x1.00x3.34
5	41644	1	PLATE,ATTACHING
6	21735	4	CAPSCREW, 1/2 x 2 1/2,NC
7	24879	4	CAPSCREW,20MMX65MM(2.5 PITCH)
8	21843	4	CAPSCREW,3/4 x 6 NC
9	33880	4	FLATWASHER,3/4",GR 8,SAE
10	06400165	4	SPACER,COOLER,FRONT

BOOM MOUNT KIT

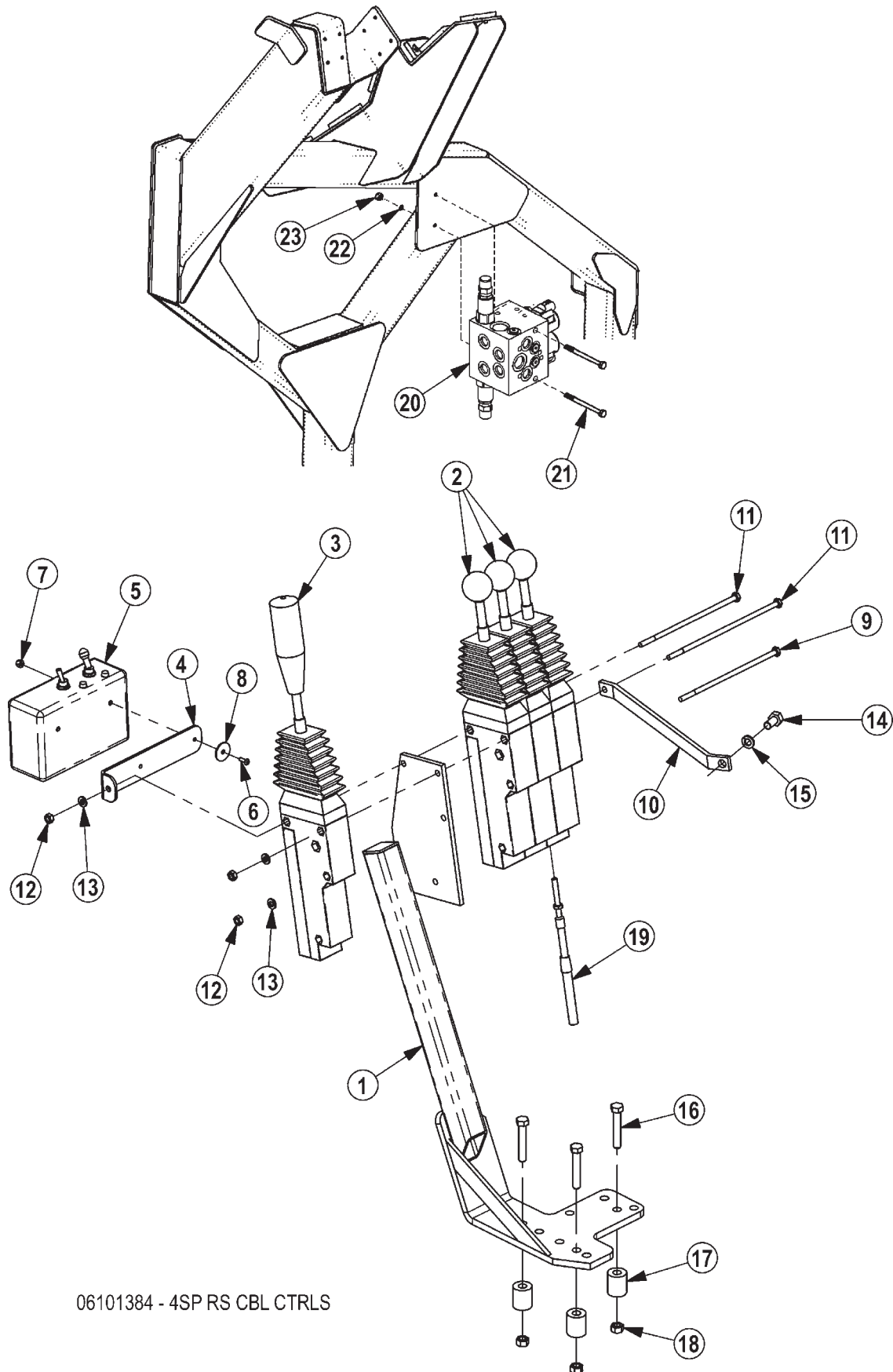


Parts Section 5-14

BOOM MOUNT KIT

ITEM	PART NO.	QTY.	DESCRIPTION
1	06300014	1	MNFRM,NHTSA100 (ON 4CYL TRACTORS)
1	06300009	1	MNFRM,NHTSA115 (ON 6CYL TRACTORS)
*	06700040	ASSY	MNT BRKT,BOOM,RS,JD,W/BEARING
2	06310005	1	MNT BRKT,BOOM,REAR STOW (4 CYL)
*	06700039	ASSY	MNT BRKT,BOOM,RS,TSA,W/BEARING
2	06310004	1	MNT BRKT,BOOM,REAR STOW (6CYL)
*	06700017	ASSY	SWIVEL,REAR STOW,CPLT
3	06310003	1	SWIVEL,REAR STOW
4	06520075	2	BEARING,1.50IDx2.50,SWING,COM
5	*	REF	SPHERICAL BEARING
6	06520108	2	BEARING,1.50IDx1.00,COMP
7	06420013	1	PIN,1.5x18.88,W/.47 HOLE,NIT
8	6T3001	1	PIN,INNDR FT BM 1-1/2X15-3/4
9	06420023	2	PIN,1.50x3.62,W/.22 HOLES,NIT
10	06520049	1	BEARING,WASHER,SWING
11	06420100	1	PIN,PRIMARY CYL
12	06537021	2	ROLLPIN,5mm
13	06501019	1	CYLINDER,4x9,1.50PIN
14	21835	2	CAPSCREW,3/4 X 2-3/4 NC
15	6T2607	2	FLATWASHER,3/4,CUT
16	22021	2	FLATWASHER,3/4
17	21825	2	HEX NUT,3/4 NC
18	21688	3	CAPSCREW,7/16 X 3-1/4 NC
19	21677	3	NYLOCK NUT,7/16 NC
20	06420022	1	PIN,1.50x12.00,W/.44 HOLES,NIT
21	24300	1	ACCUMULATER
22	23888	1	BRKT,ACCUMULATOR
23	06420054	2	SPACER,75x41.x2.50
24	21640	2	CAPSCREW,3/8 X 3-1/2 NC
25	21988	2	LOCKWASHER,3/8
26	21627	3	NYLOCK NUT,3/8 NC
27	21632	1	CAPSCREW,3/8 X 1-1/2 NC
32	TB1023	2	ROLLPIN,7/32 X 2

4 SP CABLE CONTROLS & SELECTOR VALVE



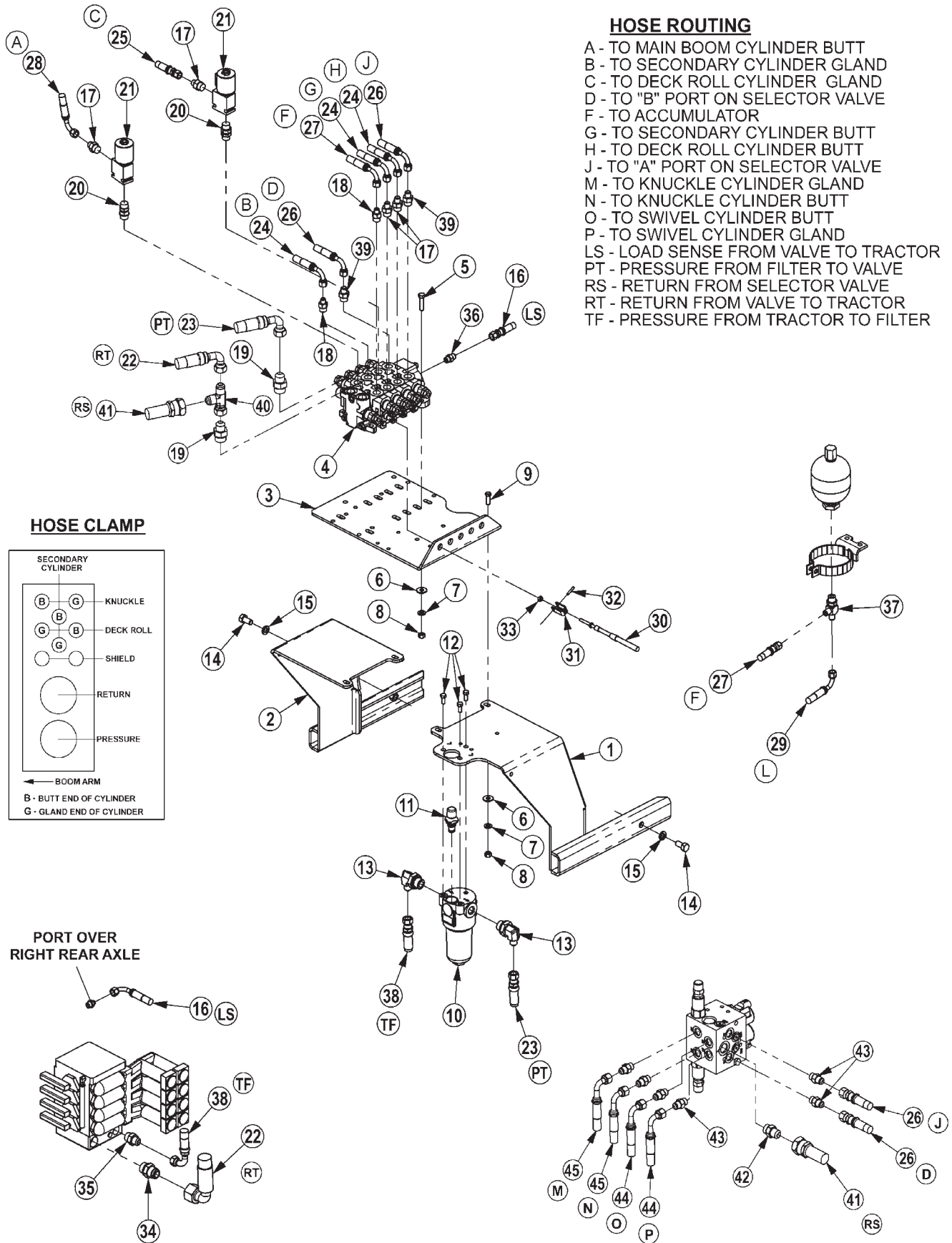
06101384 - 4SP RS CBL CTRLS

Parts Section 5-16

4 SP CABLE CONTROLS & SELECTOR VALVE

ITEM	PART NO.	QTY.	DESCRIPTION
1	23865B	1	CBL CTRL MT BRK,9030-FD40-JD60
2	6T1251	3	CBL CTRL BOX,180 DEG
3	06505023	1	CBL CTRL BOX,180 DEG,W/BUTTON
4	34496	1	BRKT,SWITCHBOX,UNI
5	06510049	1	SWITCHBOX ASSY,BOOM,RS
6	6T3951	2	SCREW,MACHINE 8/32 X 1/2
7	6T3952	2	HEX NUT,8/32 NYLOCK
8	34508	2	WASHER,FENDER,#10
9	21546	1	CAPSCREW,1/4 X 7 NC
10	30750A	1	BRKT,CBL CTRL,JD6000
11	21547	2	CAPSCREW,1/4 X 8 NC
12	21525	3	HEX NUT,1/4 NC
13	21986	3	LOCKWASHER,1/4
14	23113	1	CAPSCREW,10MMX30MM(1.5 PITCH)
15	32691	1	LOCKWASHER,10MM
16	21635	3	CAPSCREW,3/8 X 2-1/4 NC
17	27082B	3	SPACER
18	21627	3	NYLOCK NUT,3/8 NC
19	34623	4	CBL,CNTRL,122
20	06502055	1	VLV,SELECTOR,RS
21	21593	2	CAPSCREW,5/16 x 4-1/2 NC
22	21987	2	LOCKWASHER,5/16
23	21575	2	HEX NUT,5/16 NC

LIFT VALVE - 4 SP HUSCO, LOAD SENSE, LRS

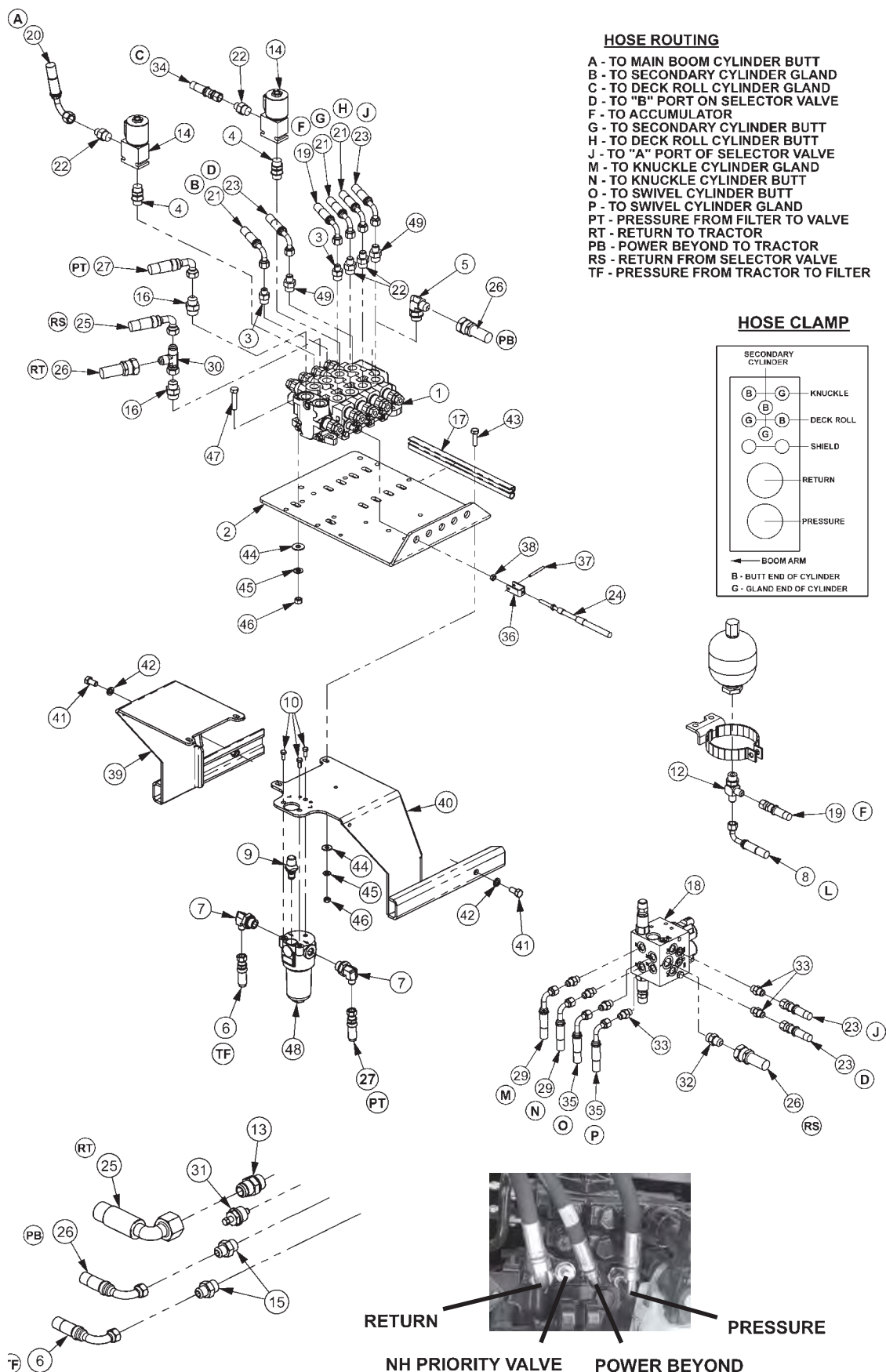


Parts Section 5-18

LIFT VALVE - 4 SP HUSCO, LOAD SENSE, LRS

ITEM	PART NO.	QTY.	DESCRIPTION
1	06340009	1	VALVE MOUNTING ANGLE, RF
2	06340008	1	VALVE MOUNTING ANGLE, LF
3	34622	1	VALVE MOUNTING PLATE
4	06502057	1	VLV,4SPHSC2,TBF,LS,RS (FLAIL)
	06502093	1	VLV,4SPHSC2,TRB,LS,RS (ROTARY)
5	21632	4	CAPSCREW,3/8 X 1-1/2 NC
6	22016	8	FLATWASHER 3/8"
7	21988	8	LOCKWASHER 3/8"
8	21625	8	HEX NUT,3/8 NC
9	21631	4	CAPSCREW,3/8 X 1-1/4 NC"
10	06505036	1	FILTER,HP,3/4SAE,10MIC,VIS IND
11	06505028	1	INDICATOR,VIS,BYPASS,HP FILTER
12	21629	3	CAPSCREW,3/8 X 3/4 NC
13	33294	2	ELBOW,3/4MOR X 1/2MJIC 90
14	21729	2	CAPSCREW 1/2" X 1" NC
15	21990	2	LOCKWASHER 1/2
16	06500270	1	HOSE,1/4x50(3/8FJXx1/4FFS90) (LOAD SENSE)
17	33271	4	ADAPTER,1/2 MOR X 3/8 MJ
18	06502036	2	CHECK VALVE
19	06503011	2	ADAPTER,5/8ORBx1/2MJ
20	31329	2	ADAPTER,1/2ORB X1/2 ORB ADJ
21	06510050	2	TRV LCK,METRIPACK COIL
22	06500063	1	HOSE,1/2x30(3/4FJX90x1/2FJX90L)195deg (RETURN)
23	06500315	1	HOSE,#8x39(8FJXx8FJX90) (PRESSURE)
24	06500172	3	HOSE,1/4x200(3/8FJX90x5/16MJ)
25	06500173	1	HOSE,1/4x200(3/8FJXx5/16MJ)
26	33411	2	HOSE, 1/4" X 24"(3/8FJX90 x 3/8FJX)
27	34631	1	HOSE,1/4x126(3/8FJXx3/8FJX90)
28	06500149	1	HOSE,1/4x220(3/8FJX90x3/8FJX)
29	06500151	1	HOSE,1/4X112(3/8FJX90x3/8FJX)
30	34623	4	CONTROL CABLE 122"
31	6T4411	4	CABLE CLEVIS
32	6T3017	4	ROLL PIN
33	21500	4	HEX NUT 1/4" UNF
34	06503012	1	ADPTR,27MMORBx3/4MJ
35	33463	1	ADAPTER,22mm ORB x 1/2MJ
36	32901	1	ADAPTER,3/8 MOR X 3/8 MJ
37	06503029	1	RUN TEE
38	06500310	1	HOSE,1/2x19(1/2FJXx1/2FJX90L)
39	34396	2	RESTRICTOR
40	6T3992	1	TEE,1/2MJ X 1/2MJ X 1/2FJX
41	33488	1	HOSE, 1/2" X 25"
42	33528	1	ADAPTER, 1/2MOR X 1/2MJ
43	32901	6	ADAPTER, 3/8 MOR X 3/8 MJ
44	06500000	2	HOSE, 1/4" X 131"(3/8FJX 90 x 3/8FJX)
45	06500174	2	HOSE, 1/4" X 200"(3/8FJX90L ongx 5/16MJ)
*	06505035	1	COVER,VLV,REAR (COVERS VALVE ON NON-CAB)

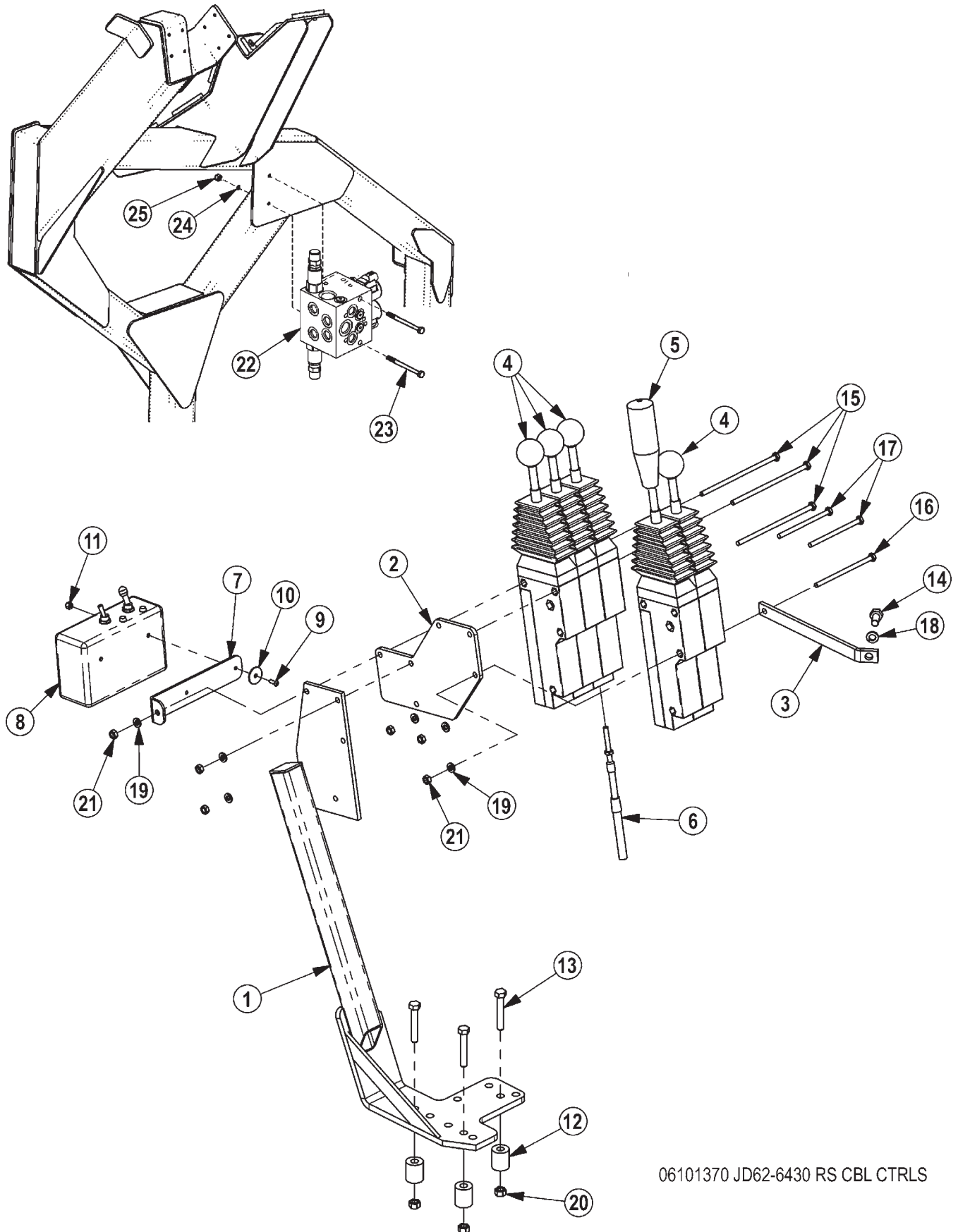
LIFT VALVE - 4 SP HUSCO, POWER BEYOND, LRS



LIFT VALVE - 4 SP HUSCO, POWER BEYOND, LRS

ITEM	PART NO.	QTY.	DESCRIPTION
1	06502079	1	VALVE,4SP,HSC,BLK,TBF,RS,PB (FLAIL)
	06502094	1	VALVE,4SP,HSC,TRB,RS,PB (ROTARY)
2	34622	1	VALVE MOUNTING PLATE
3	06502036	2	CHECK VALVE
4	31329	2	ADAPTER,1/2ORB X1/2 ORB ADJ
5	33383	1	ELBOW,5/8MORB X 1/2MJ X 90
6	06500310	1	HOSE,1/2x19(1/2FJXx1/2FJX90L)
7	33294	2	ELBOW,3/4MOR X 1/2MJIC 90
8	06500151	1	HOSE,1/4"X112"(3/8FJX90 x 3/8FJX)
9	06505028	1	INDICATOR,VIS,BYPASS,HP FILTER
10	21629	3	CAPSCREW,3/8 X 3/4 NC
12	06503029	1	RUN TEE, 1/2"ORB x 3/8" MJ x 3/8" MJ
13	06503012	1	ADPTR,27MMORBx3/4MJ
14	06510050	2	TRAVEL LOCK
15	33463	2	ADAPTER,22mm ORB x 1/2MJ
16	06503011	2	ADAPTER,5/8ORBx1/2MJ
17	28053	1	TRM LK,9/16X1/8FN PBL*100-1/8
18	06502055	1	SELECTOR VALVE
19	34631	1	HOSE, 1/4" X 126"(3/8FJX x 3/8FJX90)
20	06500149	1	HOSE, 1/4" X 220"(3/8FJX90 x 3/8FJX)
21	06500172	3	HOSE, 1/4" X 200"(3/8FJX90 x 5/16MJ)
22	33271	6	ADAPTER,1/2 MOR X 3/8 MJ
23	33411	2	HOSE, 1/4" X 24"(3/8FJX90 x 3/8FJX)
24	34623	4	CONTROL CABLE 122"
25	06500063	1	HOSE,1/2x30(3/4FJX90 x
27	06500315	1	HOSE,#8x39(8FJXx8FJX90)
28	33488	2	HOSE,1/2X25(1/2FJX90X1/2FJX)
29	06500174	2	HOSE, 1/4" X 200"(3/8FJX90L ong x 5/16MJ)
30	6T3992	1	TEE,1/2MJ X 1/2MJ X 1/2FJX
31	F87372883	1	VALVE,PRIORITY,PB,NH
32	33528	1	ADAPTER, 1/2MOR X 1/2MJ
33	32901	6	ADAPTER, 3/8 MOR X 3/8 MJ
34	06500173	1	HOSE, 1/4" X 200"(3/8FJX x 5/16MJ)
35	06500000	2	HOSE, 1/4" X 131"(3/8FJX 90 x 3/8FJX)
36	6T4411	4	CLEVIS,CBL CTRL,3/16
37	6T3017	4	ROLLPIN,3/16 X 1
38	21500	4	HEX NUT,1/4 NF
39	06340009	1	VLV MNT,LH,TSA115
40	06340008	1	VLV MNT,RH,TSA115
41	21729	2	CAPSCREW,1/2 X 1 NC
42	21990	2	LOCKWASHER,1/2
43	21631	4	CAPSCREW 3/8" X 1-1/4"
44	22016	8	FLATWASHER 3/8"
45	21988	8	LOCKWASHER 3/8"
46	21625	8	HEX NUT,3/8 NC
47	21632	4	CAPSCREW,3/8 X 1-1/2 NC
48	06505036	1	FILTER,HP,3/4SAE,10MIC,VIS IND
49	34396	2	ADPTR,.06 RSTRCTR,1/2ORBx3/8MJ
*	06505035	1	COVER,VLV,REAR (COVERS VALVE ON NON-CAB)

5 SP CABLE CONTROLS & SELECTOR VALVE



06101370 JD62-6430 RS CBL CTRLS

Parts Section 5-22

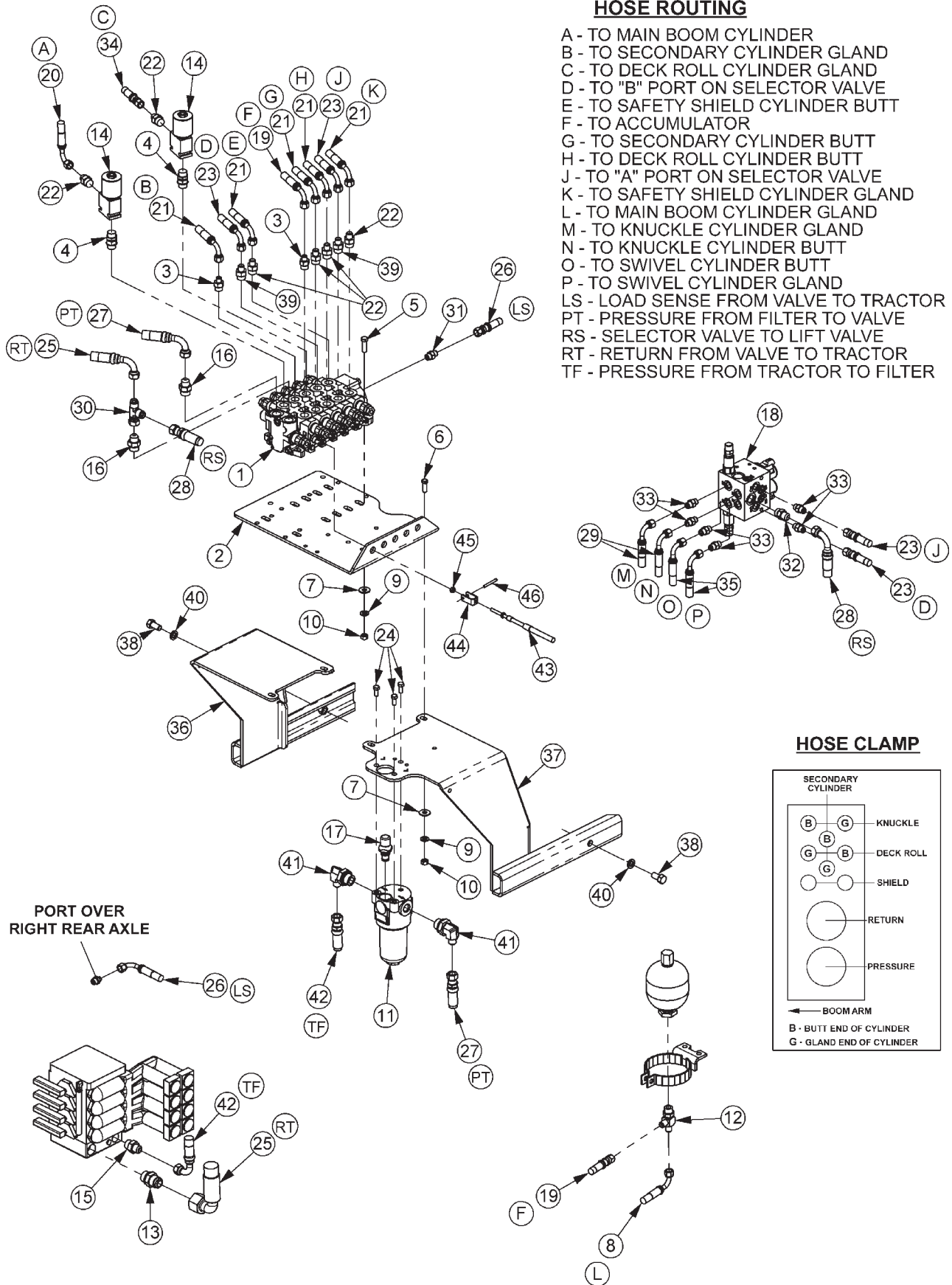
5 SP CABLE CONTROLS & SELECTOR VALVE

ITEM	PART NO.	QTY.	DESCRIPTION
1	23865B	1	CBL CTRL MT BRK,9030-FD40-JD60
2	06400179	1	MNT,ADPTR,CNTRL BOX,2 ROW
3	06410239	1	SUPPORT,MNT,CNTRL BOX,2 ROW
4	6T1251	4	CBL CTRL BOX,180 DEG
5	06505023	1	CBL CTRL BOX,180 DEG,W/BUTTON
6	34623	5	CBL,CNTRL,122
7	34496	1	BRKT,SWITCHBOX,UNI
8	06510049	1	SWITCHBOX ASSY,BOOM,RS
9	6T3951	2	SCREW,MACHINE 8/32 X 1/2
10	34508	2	WASHER,FENDER,#10
11	6T3952	2	HEX NUT,8/32 NYLOCK
12	27082B	3	SPACER
13	21635	3	CAPSCREW,3/8 X 2-1/4 NC
14	33534	1	CAPSCREW,10MMX20MM(1.5PITCH)
15	21545	3	CAPSCREW,1/4 X 6 NC
16	21543	1	CAPSCREW, 1/4 X 4 1/2,NC
17	21542	2	CAPSCREW,1/4 X 4 NC
18	32691	1	LOCKWASHER,10MM
19	21986	6	LOCKWASHER,1/4
20	21627	3	NYLOCK NUT,3/8 NC
21	21525	6	HEX NUT,1/4 NC
22	06502055	1	VLV,SELECTOR,RS
23	21593	2	CAPSCREW,5/16 x 4-1/2 NC
24	21987	2	LOCKWASHER,5/16
25	21575	2	HEX NUT,5/16 NC

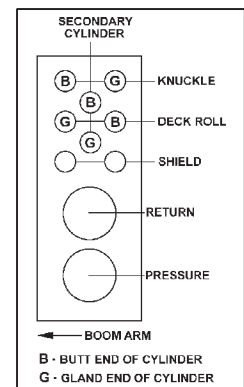
LIFT VALVE - 5 SP HUSCO, LOAD SENSE, LRS

HOSE ROUTING

- A - TO MAIN BOOM CYLINDER
- B - TO SECONDARY CYLINDER GLAND
- C - TO DECK ROLL CYLINDER GLAND
- D - TO "B" PORT ON SELECTOR VALVE
- E - TO SAFETY SHIELD CYLINDER BUTT
- F - TO ACCUMULATOR
- G - TO SECONDARY CYLINDER BUTT
- H - TO DECK ROLL CYLINDER BUTT
- J - TO "A" PORT ON SELECTOR VALVE
- K - TO SAFETY SHIELD CYLINDER GLAND
- L - TO MAIN BOOM CYLINDER GLAND
- M - TO KNUCKLE CYLINDER GLAND
- N - TO KNUCKLE CYLINDER BUTT
- O - TO SWIVEL CYLINDER BUTT
- P - TO SWIVEL CYLINDER GLAND
- LS - LOAD SENSE FROM VALVE TO TRACTOR
- PT - PRESSURE FROM FILTER TO VALVE
- RS - SELECTOR VALVE TO LIFT VALVE
- RT - RETURN FROM VALVE TO TRACTOR
- TF - PRESSURE FROM TRACTOR TO FILTER



HOSE CLAMP



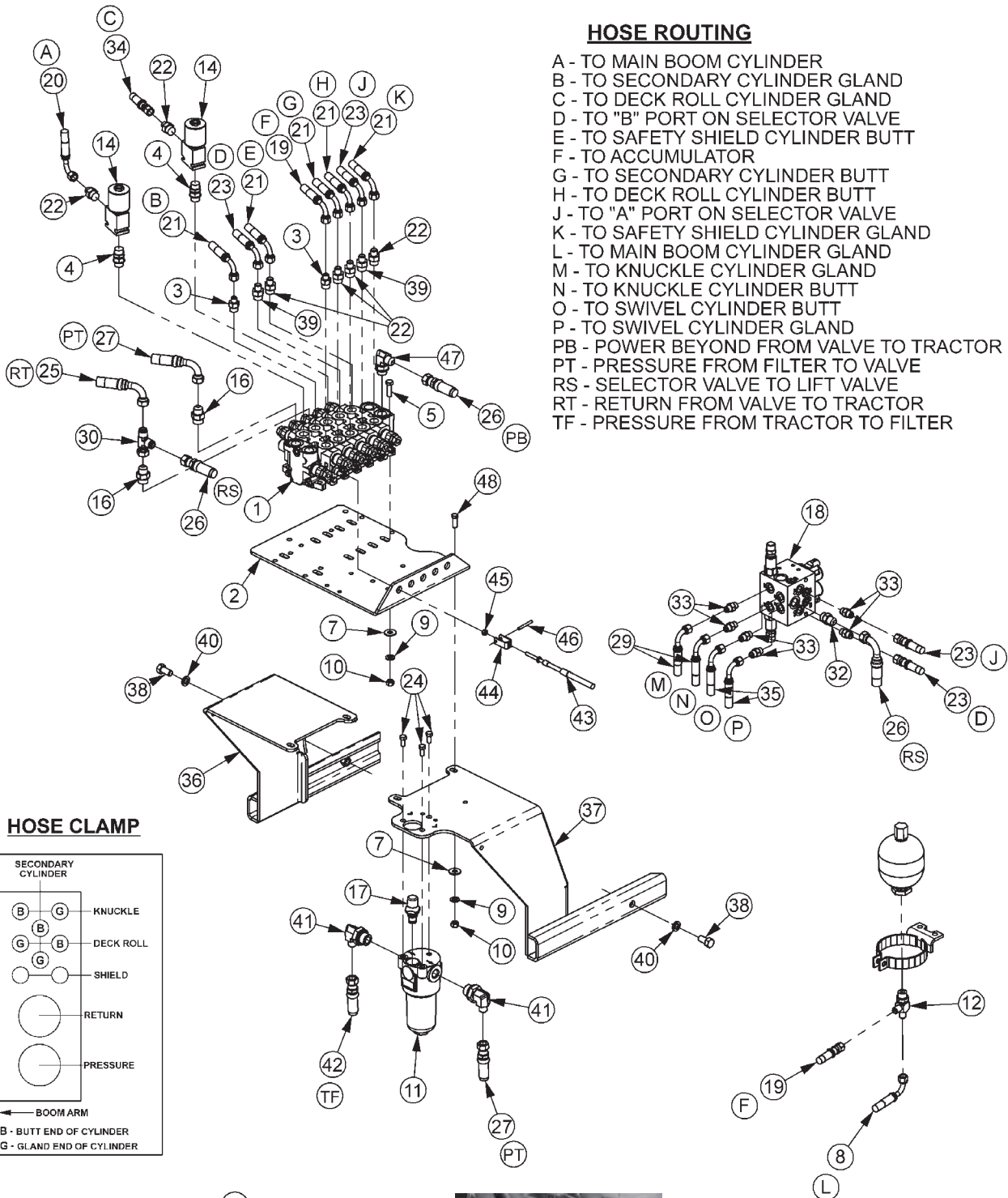
LIFT VALVE - 5 SP HUSCO, LOAD SENSE, LRS

ITEM	PART NO.	QTY.	DESCRIPTION
1	06502038	1	VLV,5SPHSC2,TRB,LS,RS
2	34622	1	PLATE,VALVE,REAR MNT
3	06502036	2	VLV,CHECK,W/.06 ORF,1/2MORx3/8
4	31329	2	ADAPTER,1/2ORB X1/2 ORB ADJ
5	21632	4	CAPSCREW,3/8 X 1-1/2 NC
6	21631	4	CAPSCREW,3/8 X 1-1/4 NC
7	22016	8	FLATWASHER,3/8
8	06500151	1	HOSE,1/4"X112"(3/8FJX90 x 3/8FJX)
9	21988	8	LOCKWASHER,3/8
10	21625	8	HEX NUT,3/8 NC
11	06505036	1	FILTER,HP,3/4SAE,10MIC,VIS IND
12	06503029	1	RUN TEE, 1/2"ORB x 3/8" MJ x 3/8" MJ
13	06503012	1	ADPTR,27MMORBx3/4MJ
14	06510050	2	TRV LCK,METRIPACK COIL
15	33463	1	ADAPTER,22mm ORB x 1/2MJ
16	06503011	2	ADAPTER,5/8ORBx1/2MJ
17	06505028	1	INDICATOR,VIS,BYPASS,HP FILTER
18	06502055	1	SELECTOR VALVE
19	34631	1	HOSE, 1/4" X 126"(3/8FJX x 3/8FJX90)
20	06500149	1	HOSE, 1/4" X 220"(3/8FJX90 x 3/8FJX)
21	06500172	5	HOSE, 1/4" X 200"(3/8FJX90 x 5/16MJ)
22	33271	6	ADAPTER,1/2 MOR X 3/8 MJ
23	33411	2	HOSE, 1/4" X 24"(3/8FJX90 x 3/8FJX)
24	21629	3	CAPSCREW,3/8 X 3/4 NC
25	06500063	1	HOSE, 1/2" X 30"(RETURN)
26	06500270	1	HOSE,1/4x50(3/8FJXx1/4FFS90) (LOAD SENSE)
27	06500315	1	HOSE,#8x39(8FJXx8FJX90) (PRESSURE)
28	33488	1	HOSE, 1/2" X 25"(RETURN FROM SELECTOR VALVE)
29	06500174	2	HOSE, 1/4" X 200"(3/8FJX90L ong x 5/16MJ)
30	6T3992	1	RUN TEE,1/2MJ x 1/2FJX x 1/2MJ
31	32901	1	ADAPTER,3/8 MOR X 3/8 MJ
32	33528	1	ADAPTER, 1/2MOR X 1/2MJ
33	32901	6	ADAPTER, 3/8 MOR X 3/8 MJ
34	06500173	1	HOSE, 1/4" X 200"(3/8FJX x 5/16MJ)
35	06500000	2	HOSE, 1/4" X 131"(3/8FJX 90 x 3/8FJX)
36	06340008	1	VLV MNT,RH,TSA115
37	06340009	1	VLV MNT,LH,TSA115
38	21729	2	CAPSCREW,1/2 X 1 NC
39	34396	2	ADPTR,.06 RSTRCTR,1/2ORBx3/8MJ
40	21990	2	LOCKWASHER,1/2
41	33294	2	ELBOW,3/4MOR X 1/2MJIC 90
42	06500310	1	HOSE,1/2x19(1/2FJXx1/2FJX90L)
43	34623	5	CBL,CNTRL,122
44	6T4411	5	CLEVIS,CBL CTRL,3/16
45	21500	5	HEX NUT,1/4 NF
46	6T3017	5	ROLLPIN,3/16 X 1

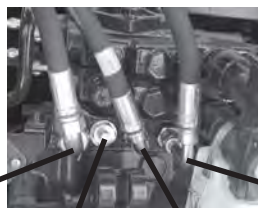
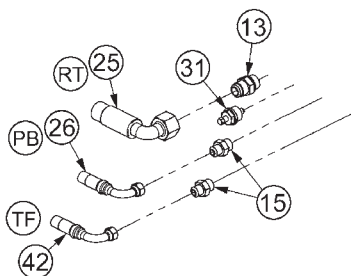
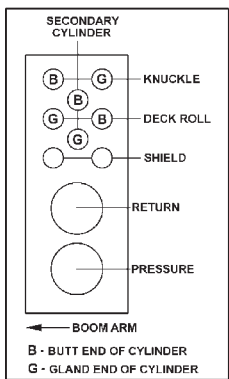
LIFT VALVE - 5 SP HUSCO, POWER BEYOND, LRS

HOSE ROUTING

- A - TO MAIN BOOM CYLINDER
- B - TO SECONDARY CYLINDER GLAND
- C - TO DECK ROLL CYLINDER GLAND
- D - TO "B" PORT ON SELECTOR VALVE
- E - TO SAFETY SHIELD CYLINDER BUTT
- F - TO ACCUMULATOR
- G - TO SECONDARY CYLINDER BUTT
- H - TO DECK ROLL CYLINDER BUTT
- J - TO "A" PORT ON SELECTOR VALVE
- K - TO SAFETY SHIELD CYLINDER GLAND
- L - TO MAIN BOOM CYLINDER GLAND
- M - TO KNUCKLE CYLINDER GLAND
- N - TO KNUCKLE CYLINDER BUTT
- O - TO SWIVEL CYLINDER BUTT
- P - TO SWIVEL CYLINDER GLAND
- PB - POWER BEYOND FROM VALVE TO TRACTOR
- PT - PRESSURE FROM FILTER TO VALVE
- RS - SELECTOR VALVE TO LIFT VALVE
- RT - RETURN FROM VALVE TO TRACTOR
- TF - PRESSURE FROM TRACTOR TO FILTER



HOSE CLAMP



RETURN PRESSURE

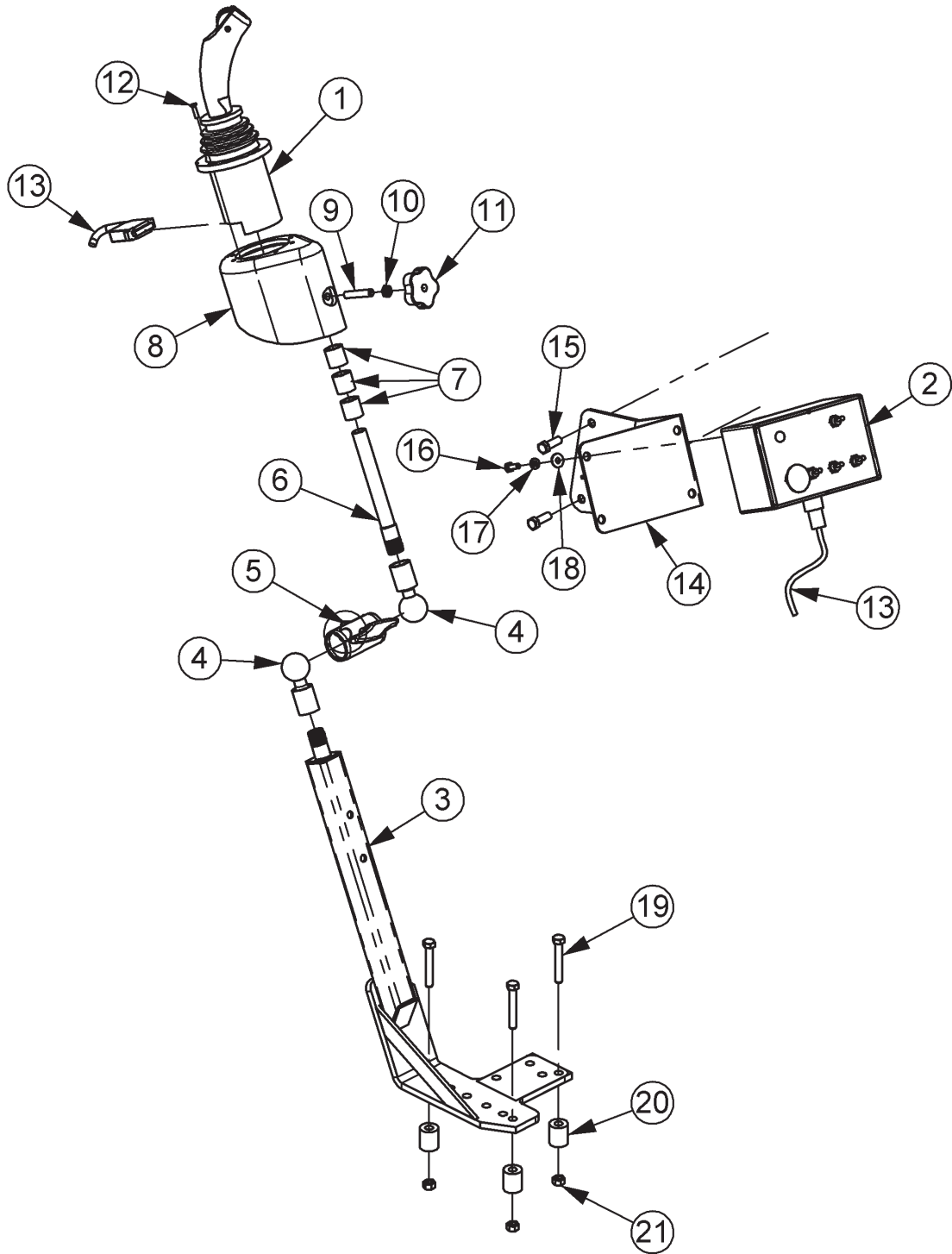
NH PRIORITY VALVE POWER BEYOND

Parts Section 5-26

LIFT VALVE - 5 SP HUSCO, POWER BEYOND, LRS

ITEM	PART NO.	QTY.	DESCRIPTION
1	06502078	1	VALVE,5SP,HSC,BLK,TRB,RS,PB
2	34622	1	VALVE MOUNTING PLATE
3	06502036	2	CHECK VALVE
4	31329	2	ADAPTER,1/2ORB X1/2 ORBADJ
5	21632	4	CAPSCREW,3/8 X 1-1/2 NC
7	22016	8	FLATWASHER 3/8"
8	06500151	1	HOSE,1/4"X112"(3/8FJX90 x 3/8FJX)
9	21988	8	LOCKWASHER 3/8"
10	21625	8	HEX NUT,3/8 NC
11	06505036	1	FILTER,HP,3/4SAE,10MIC,VIS IND
12	06503029	1	RUN TEE, 1/2"ORB x 3/8" MJ x 3/8" MJ
13	06503012	1	ADPTR,27MMORBx3/4MJ
14	06510050	2	TRAVEL LOCK
15	33463	2	ADAPTER,22mm ORB x 1/2MJ
16	06503011	2	ADAPTER,5/8ORBx1/2MJ
17	06505028	1	INDICATOR, VIS,BYPASS,HP FILTER
18	06502055	1	SELECTOR VALVE
19	34631	1	HOSE, 1/4" X 126"(3/8FJX x 3/8FJX90)
20	06500149	1	HOSE, 1/4" X 220"(3/8FJX90 x 3/8FJX)
21	06500172	5	HOSE, 1/4" X 200"(3/8FJX90 x 5/16MJ)
22	33271	6	ADAPTER,1/2 MOR X 3/8 MJ
23	33411	2	HOSE, 1/4" X 24"(3/8FJX90 x 3/8FJX)
24	21629	3	CAPSCREW,3/8 X 3/4 NC
25	06500063	1	HOSE,1/2x30(3/4FJX90 x
26	33488	2	HOSE,1/2X25(1/2FJX90X1/2FJX)
27	06500315	1	HOSE,#8x39(8FJXx8FJX90)
29	06500174	2	HOSE, 1/4" X 200"(3/8FJX90L ong x 5/16MJ)
30	6T3992	1	TEE,1/2MJ X 1/2MJ X 1/2FJX
31	F87372883	1	VALVE,PRIORITY,PB,NH
32	33528	1	ADAPTER, 1/2MOR X 1/2MJ
33	32901	6	ADAPTER, 3/8 MOR X 3/8 MJ
34	06500173	1	HOSE, 1/4" X 200"(3/8FJX x 5/16MJ)
35	06500000	2	HOSE, 1/4" X 131"(3/8FJX 90 x 3/8FJX)
36	06340009	1	VLV MNT,LH,TSA115
37	06340008	1	VLV MNT,RH,TSA115
38	21729	2	CAPSCREW,1/2 X 1 NC
39	34396	2	ADPTR,.06 RSTRCTR,1/2ORBx3/8MJ
40	21990	2	LOCKWASHER,1/2
41	33294	2	ELBOW,3/4MOR X 1/2MJIC 90
42	06500310	1	HOSE,1/2x19(1/2FJXx1/2FJX90L)
43	34623	5	CONTROL CABLE 122"
44	6T4411	5	CLEVIS,CBL CTRL,3/16
45	21500	5	HEX NUT,1/4 NF
46	6T3017	5	ROLLPIN,3/16 X 1
47	33383	1	ELBOW,5/8MORB X 1/2MJ X 90
48	21631	4	CAPSCREW 3/8" X 1-1/4"
*	06505035	1	COVER,VLV,REAR (COVERS VALVE ON NON-CAB)

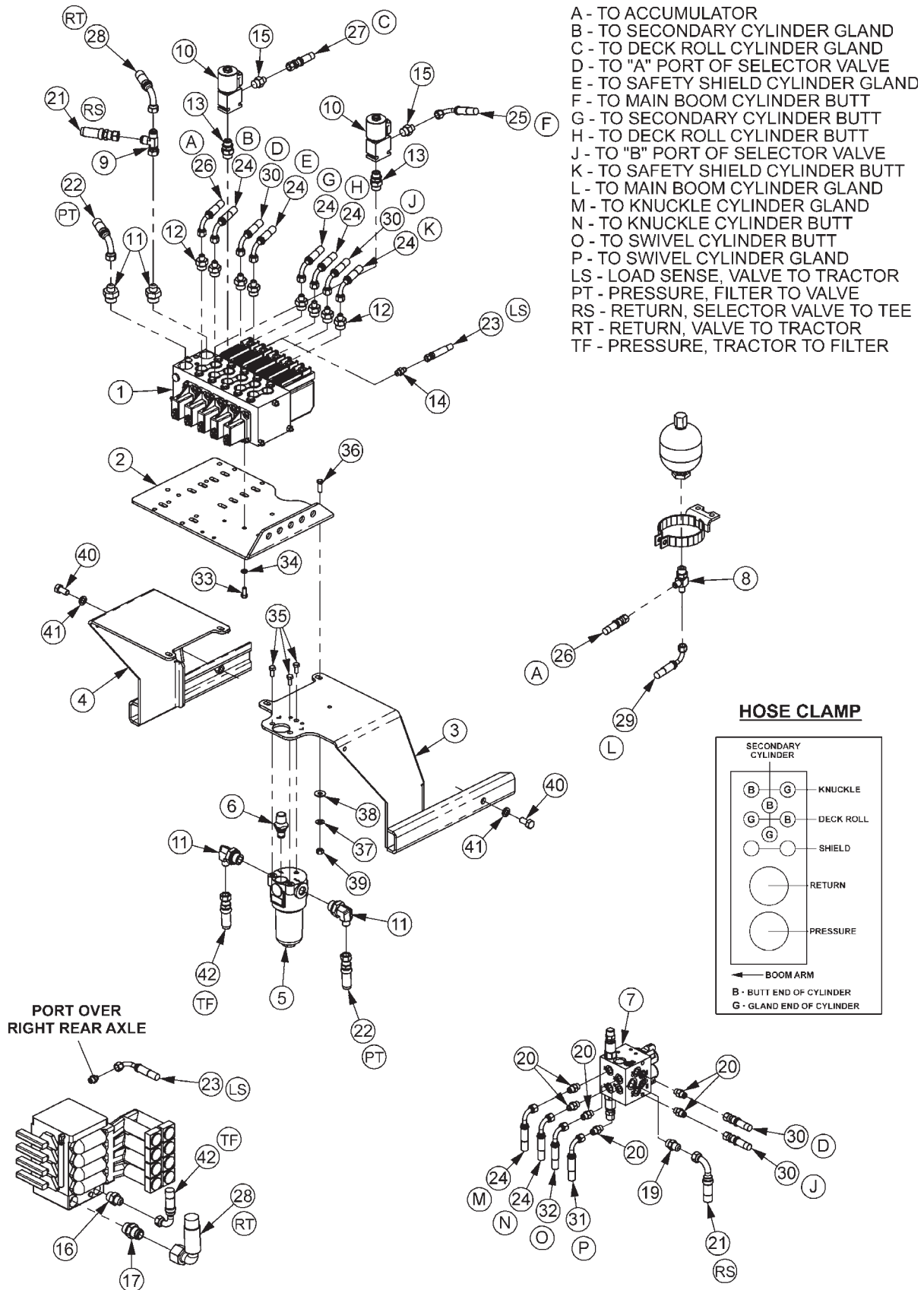
JOYSTICK AND SWITCH BOX



JOYSTICK AND SWITCH BOX

ITEM	PART NO.	QTY.	DESCRIPTION
1	06510046	1	JOYSTK,4AXIS&PUSHBUTTON,RH,DF
2	06510196	1	SWITCHBOX,BOOM,RS,DF,GND
3	06340011	1	MNT,STND,JYSTK,TS115A
4	06520041	2	MOUNT,RAM,BALL,1 1/2",NPT,2181
5	06520042	1	MOUNT,RAM,ARM,1.5"x2.75",SHORT
6	06340010	1	ROD,1/2NPTx7,JYSTK
7	35256	3	BUSHING,NYLON,1"OD,3/4"ID
8	35033	1	CAN,JYSTK,CPLT,DF
9	35205	1	SETSCREW,3/8 x 2 NC,KNURLED PT
10	35206	1	HEX NUT,JAMB,3/8 NC
11	35204	1	KNOB,3/8 NC,INSERT
12	32829	4	SCREW,MACHINE,10-32X3/4,FLATHD
13	33693	1	CBL,EXT,4FT,JOYST,R STOW BOOM
14	33355	1	MNT,BRKT,SWITCH BOX
15	23113	2	CAPSCREW,10MMX30MM(1.5 PITCH)
16	21529	4	CAPSCREW,1/4 X 3/4 NC
17	21986	4	LOCKWASHER,1/4
18	22014	4	FLATWASHER,1/4
19	21635	3	CAPSCREW,3/8 X 2-1/4 NC
20	27082B	3	SPACER
21	21627	3	NYLOCK NUT,3/8 NC

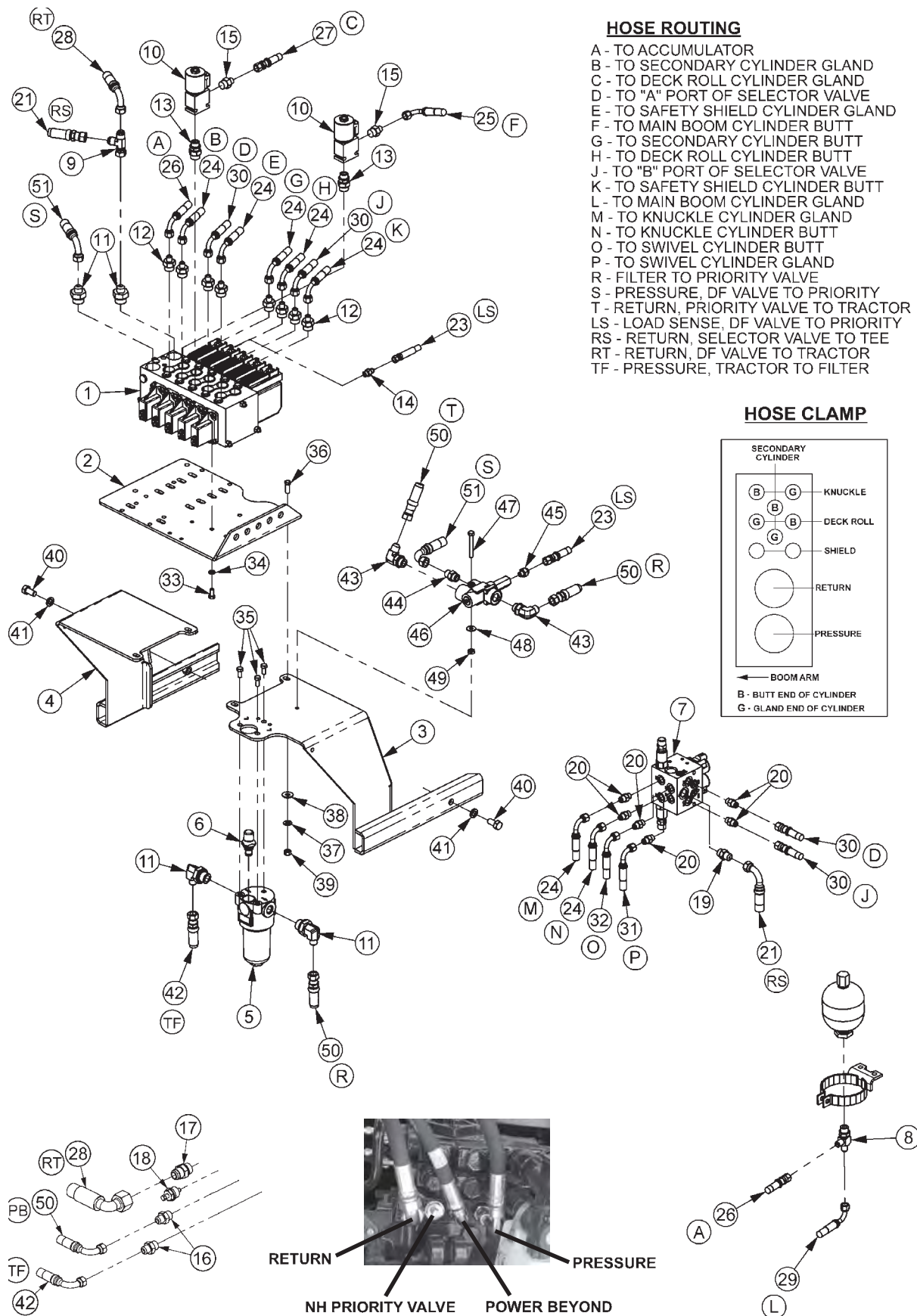
LIFT VALVE - 5 SP DANFOSS, LOAD SENSE, LRS



LIFT VALVE - 5 SP DANFOSS, LOAD SENSE, LRS

ITEM	PART NO.	QTY.	DESCRIPTION
1	06502097	1	VLV,5SP,RS
2	34622	1	PLATE,VALVE,REAR MNT
3	06340008	1	VLV MNT,RH,TSA115
4	06340009	1	VLV MNT,LH,TSA115
5	06505036	1	FILTER,HP,3/4SAE,10MIC,VIS IND
6	06505028	1	INDICATOR,VIS,BYPASS,HP FILTER
7	06502055	1	VLV,SELECTOR,RS
8	06503029	1	TEE,RUN,1/2ORBx3/8MJx3/8MJ
9	6T3992	1	RUN TEE,1/2MJ x 1/2FJX x 1/2MJ
10	06510050	2	TRV LCK,METRIPACK COIL
11	33294	2	ELBOW,3/4MOR X 1/2MJIC 90
12	32807	8	ADAPTER,5/8MORB X 3/8MJ
13	31611	2	ADAPTER,5/8 OR X 1/2 ADJ OR
14	33419	1	ADAPTER,5/16MORX1/4MJ
15	33271	2	ADAPTER,1/2 MOR X 3/8 MJ
16	33463	1	ADAPTER,22mm ORB x 1/2MJ
17	06503012	1	ADPTR,27MMORBx3/4MJ
19	31329	1	ADAPTER,1/2ORB X1/2 ORB ADJ
20	32901	6	ADAPTER,3/8 MOR X 3/8 MJ
21	33488	1	HOSE,1/2X25(1/2FJX90X1/2FJX)
22	06500315	1	HOSE,#8x39(8FJXx8FJX90)
23	06500270	1	HOSE #4x50(6FJXx4FF90)
24	06500148	7	HOSE,1/4x210(3/8FJX90x5/16MJ)
25	06500149	1	HOSE,1/4x220(3/8FJX90x3/8FJX)
26	06500150	1	HOSE,1/4x142(3/8FJX90x3/8FJX)
27	06500175	1	HOSE,1/4x210(3/8FJXx5/16MJ)
28	06500091	1	HOSE,1/2x26(3/4FJX90x)
29	06500151	1	HOSE,1/4X112(3/8FJX90x3/8FJX)
30	33411	2	HOSE,1/4X24(3/8FJX90X3/8FJX)
31	34631	1	HOSE,1/4x126(3/8FJXx3/8FJX90)
32	34359	1	HOSE,1/4X110(3/8FJX90X3/8FJX)
33	21579	4	CAPSCREW,5/16 X 3/4 NC
34	21987	4	LOCKWASHER,5/16
35	21629	3	CAPSCREW,3/8 X 3/4 NC
36	21631	4	CAPSCREW,3/8 X 1-1/4 NC
37	21988	4	LOCKWASHER,3/8
38	22016	4	FLATWASHER,3/8
39	21625	4	HEX NUT,3/8 NC
40	21729	2	CAPSCREW,1/2 X 1 NC
41	21990	2	LOCKWASHER,1/2
42	06500310	1	HOSE,1/2x19(1/2FJXx1/2FJX90L)

LIFT VALVE - 5 SP DANFOSS, POWER BEYOND, LRS



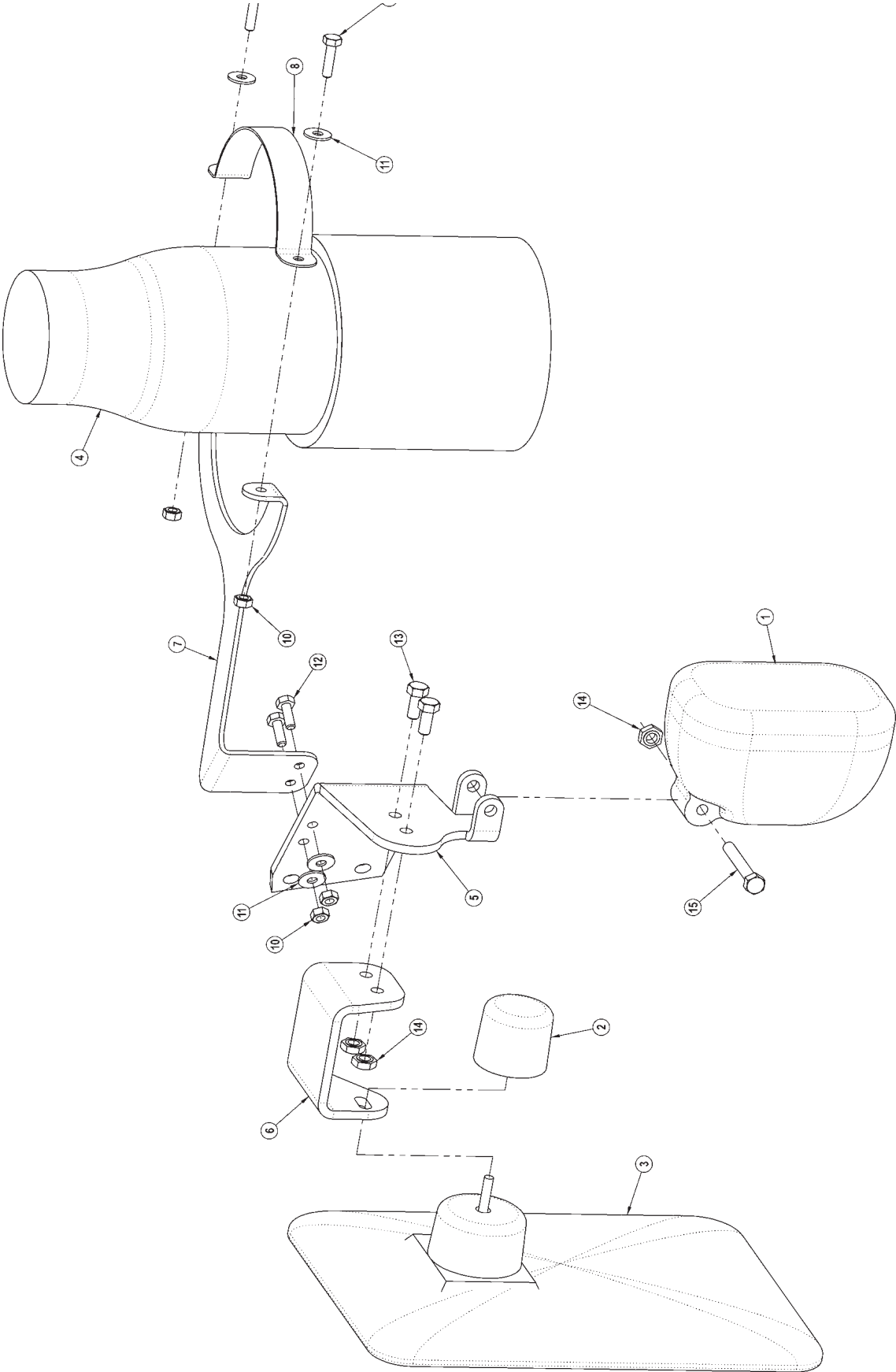
RETURN PRESSURE

NH PRIORITY VALVE POWER BEYOND
Parts Section 5-32

LIFT VALVE - 5 SP DANFOSS, POWER BEYOND, LRS

ITEM	PART NO.	QTY.	DESCRIPTION
1	06502097	1	VLV,5SP,32PVG,RS
2	34622	1	PLATE,VALVE,REAR MNT
3	06340008	1	VLV MNT,RH,TSA115
4	06340009	1	VLV MNT,LH,TSA115
5	06505036	1	FILTER,HP,3/4SAE,10MIC,VIS IND
6	06505028	1	INDICATOR,VIS,BYPASS,HP FILTER
7	06502055	1	VLV,SELECTOR,RS
8	06503029	1	TEE,RUN,1/2ORBx3/8MJx3/8MJ
9	6T3992	1	RUN TEE,1/2MJ x 1/2FJX x 1/2MJ
10	06510050	2	TRV LCK,METRIPACK COIL
11	33294	2	ELBOW,3/4MOR X 1/2MJIC 90
12	32807	8	ADAPTER,5/8MORB X 3/8MJ
13	31611	2	ADAPTER,5/8 OR X 1/2 ADJ OR
14	33392	1	ADAPTER,5/16MORB X 3/8MJ
15	33271	2	ADAPTER,1/2 MOR X 3/8 MJ
16	33463	2	ADAPTER,22mm ORB x 1/2MJ
17	06503012	1	ADPTR,27MMORBx3/4MJ
18	F87372883	1	VALVE,PRIORITY,PB,NH
19	31329	1	ADAPTER,1/2ORB X1/2 ORB ADJ
20	32901	6	ADAPTER,3/8 MOR X 3/8 MJ
21	33488	1	HOSE,1/2X25(1/2FJX90X1/2FJX)
22	06500062	1	HOSE,1/2 x 30 (1/2 FJX 90L x
23	06500219	1	HOSE,1/4x26
24	06500148	7	HOSE,1/4x210(3/8FJX90x5/16MJ)
25	06500149	1	HOSE,1/4x220(3/8FJX90x3/8FJX)
26	06500150	1	HOSE,1/4x142(3/8FJX90x3/8FJX)
27	06500175	1	HOSE,1/4x210(3/8FJXx5/16MJ)
28	06500091	1	HOSE,1/2x26(3/4FJX90x
29	06500151	1	HOSE,1/4X112(3/8FJX90x3/8FJX)
30	33411	2	HOSE,1/4X24(3/8FJX90X3/8FJX)
31	34631	1	HOSE,1/4x126(3/8FJXx3/8FJX90)
32	34359	1	HOSE,1/4X110(3/8FJX90X3/8FJX
33	21579	4	CAPSCREW,5/16 X 3/4 NC
34	21987	4	LOCKWASHER,5/16
35	21629	3	CAPSCREW,3/8 X 3/4 NC
36	21631	4	CAPSCREW,3/8 X 1-1/4 NC
37	21988	4	LOCKWASHER,3/8
38	22016	4	FLATWASHER,3/8
39	21625	4	HEX NUT,3/8 NC
40	21729	2	CAPSCREW,1/2 X 1 NC
41	21990	2	LOCKWASHER,1/2
42	06500310	1	HOSE,1/2x19(1/2FJXx1/2FJX90L)
43	33383	2	ELBOW,5/8MORB X 1/2MJ X 90
44	33528	1	ADAPTER,1/2MORB X 1/2MJIC
45	06503057	1	ADAPTER,1/4ORB X 3/8MJ
46	06502102	1	VALVE,PRIORITY,OLS-80,DANFOSS
47	21586	1	CAPSCREW,5/16 X 2-1/2 NC
48	22015	1	FLATWASHER, 5/16
49	21577	1	NYLOCK NUT, 5/16 NC
50	06500315	1	HOSE,#8x39(8FJXx8FJX90)
51	33649	2	HOSE,1/2X50(1/2FJXX1/2FJX90)

MIRROR BRACKET

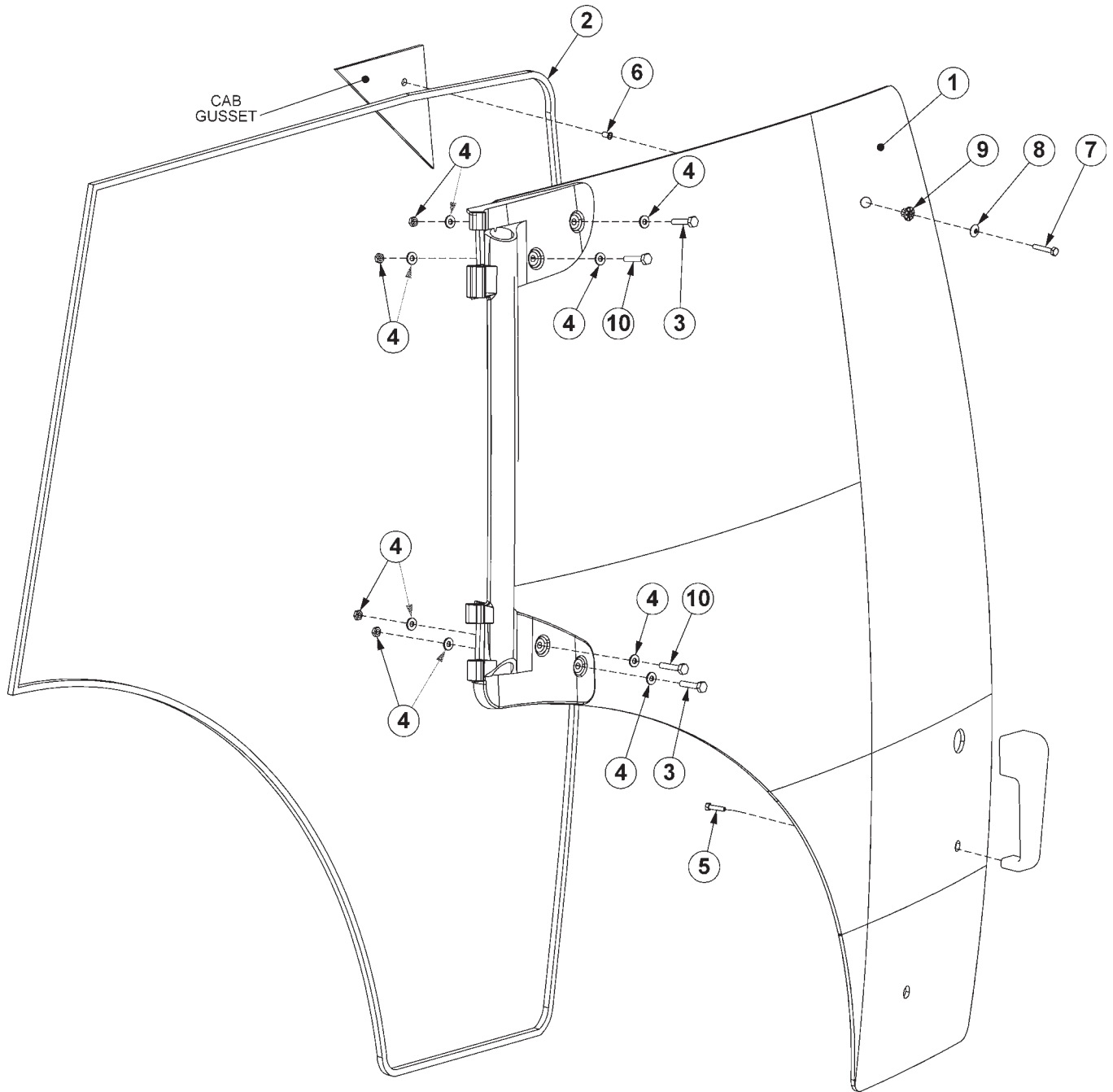


Parts Section 5-34

MIRROR BRACKET

ITEM	PART NO.	QTY.	DESCRIPTION
1	*	1	WORK LIGHT
2	*	1	KNOB T6010
3	*	1	MIRROR
4	*	1	EXHAUST
5	06370008	1	MNT,MIRROR/LIGHT,TS115A
6	06410633	1	MNT,MIRROR,T6010
7	06410141	1	COLLAR,EXHAUST,TS115A
8	06410142	1	COLLAR,CLAMP,EXHAUST,TS115A
9	21530	2	CAPSCREW,1/4" X 1" NC
10	21525	4	HEX NUT, 1/4" NC
11	22014	4	FLATWASHER,1/4"
12	21529	2	CAPSCREW,1/4" X 3/4" NC
13	21579	2	CAPSCREW,5/16 X 3/4 NC
14	21577	3	HEX NUT,NYLOCK,5/16" NC
15	21585	1	CAPSCREW, 5/16" X 2 1/4" NC

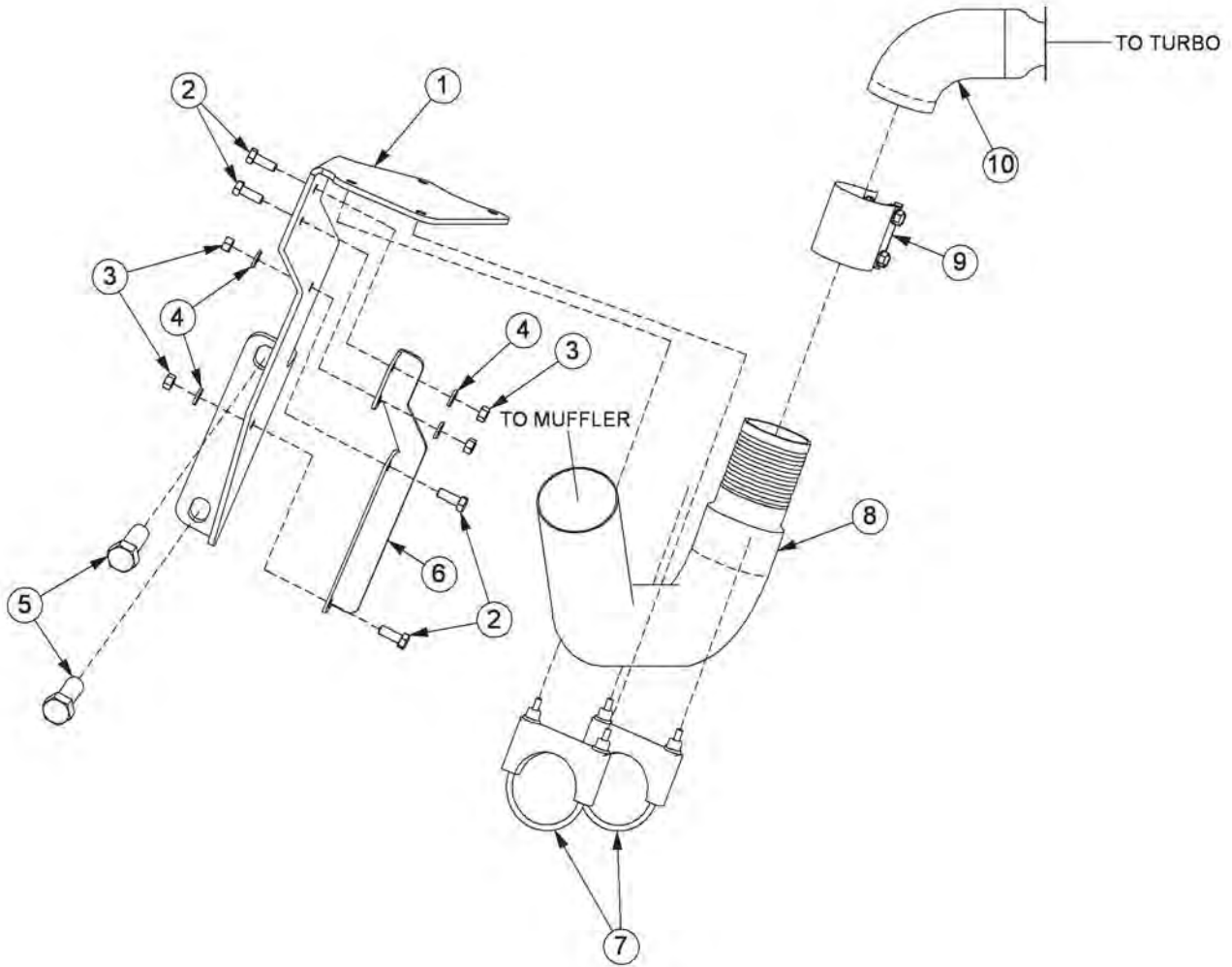
BOOM POLYCARBONATE CAB SAFETY WINDOW KIT



BOOM POLYCARBONATE CAB SAFETY WINDOW KIT

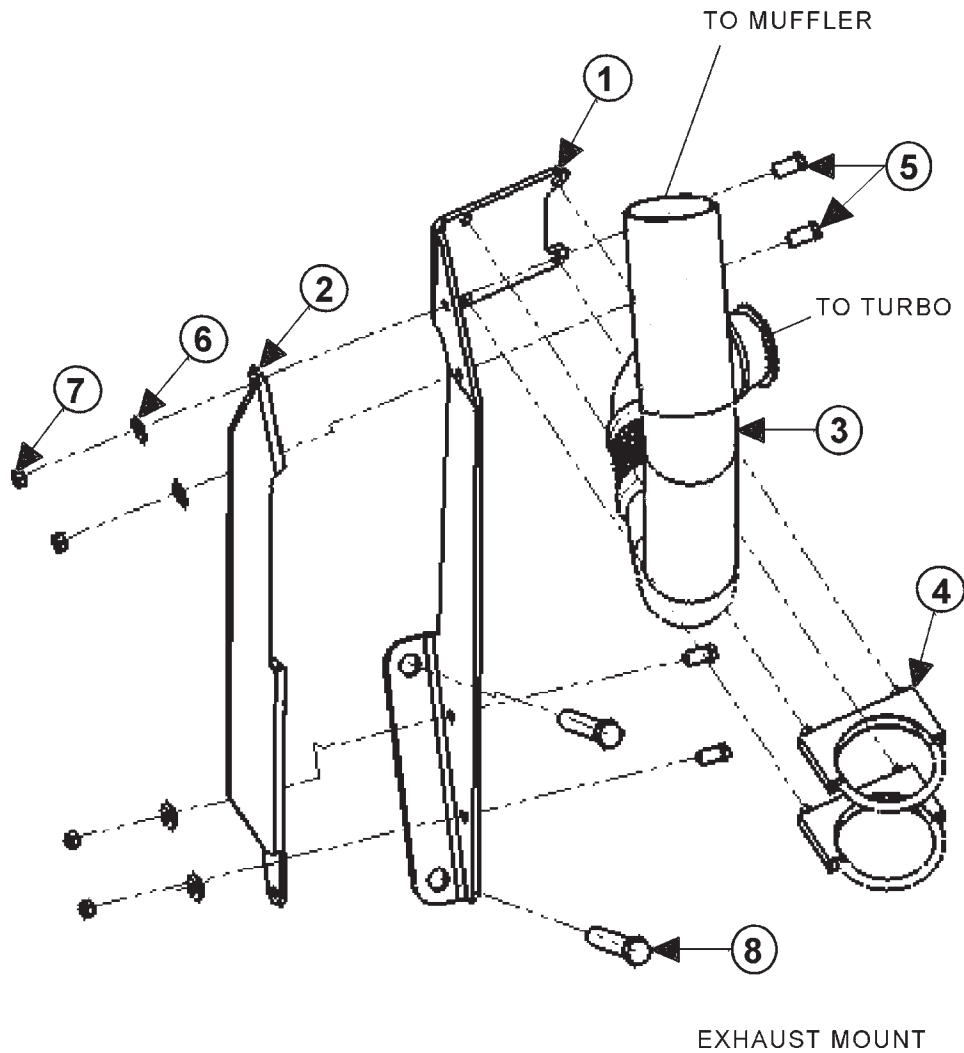
ITEM	PART NO.	QTY.	DESCRIPTION
1	06490004	1	POLYCARBONATE, HNTSA 115, DOOR, RH
2	31965	17'	TRIM SEAL, 3/8 CLIP X 3/4 OD BULB
3	06530502	2	CAPSCREW 8 MM X 40 MM GR8
4	*	*	EXISTING HARDWARE
5	06530501	1	CAPSCREW 6 MM X 25 MM GR8
6	06537006	1	THREADED INSERT 1/4 X 1/2 NC
7	21532	1	CAPSCREW, 1/4X1-1/2 NC
8	06537001	1	WASHER RUBBERIZED
9	35234	1	GROMET, RIBBED 1/2 OD X 1/4 ID X 1/2
10	6T2494	2	CAPSCREW 8 MM X 45 MM GR8
*	06537005	1	ADHESIVE, WTHR STRP (NOT SHOWN)

EXHAUST MOUNT - 4 CYLINDER



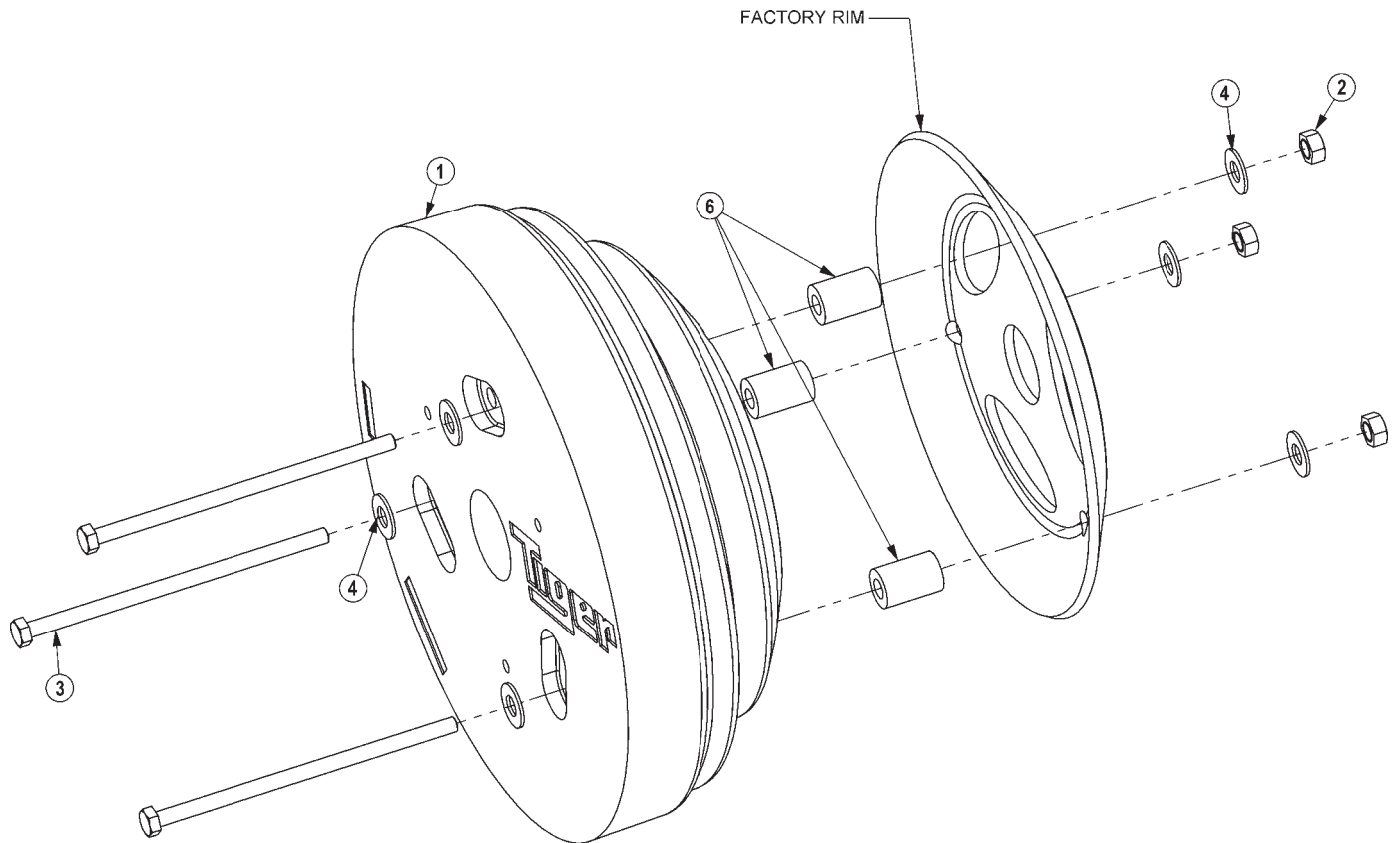
ITEM	PART NO.	QTY.	DESCRIPTION
1	06410127	1	MNT,EXHAUST,TSA100-110
2	21630	4	CAPSCREW,3/8 x 1,NC
3	21625	4	HEX NUT,3/8,NC
4	21988	4	LOCKWASHER,3/8
5	*	2	EXISTING MAINFRAME HARDWARE
6	06410128	1	MNT,EXHAUST,SUPPORT
7	35188	2	CLAMP,EXHAUST,3"
8	06520024	1	TUBE,EXHAUST,SUPPORT,4CYL
9	06520035	1	CLAMP,EXHAUST,2.75,SS,WRAP
10	*	REF	EXHAUST TUBE (CUT)

EXHAUST MOUNT - 6 CYLINDER



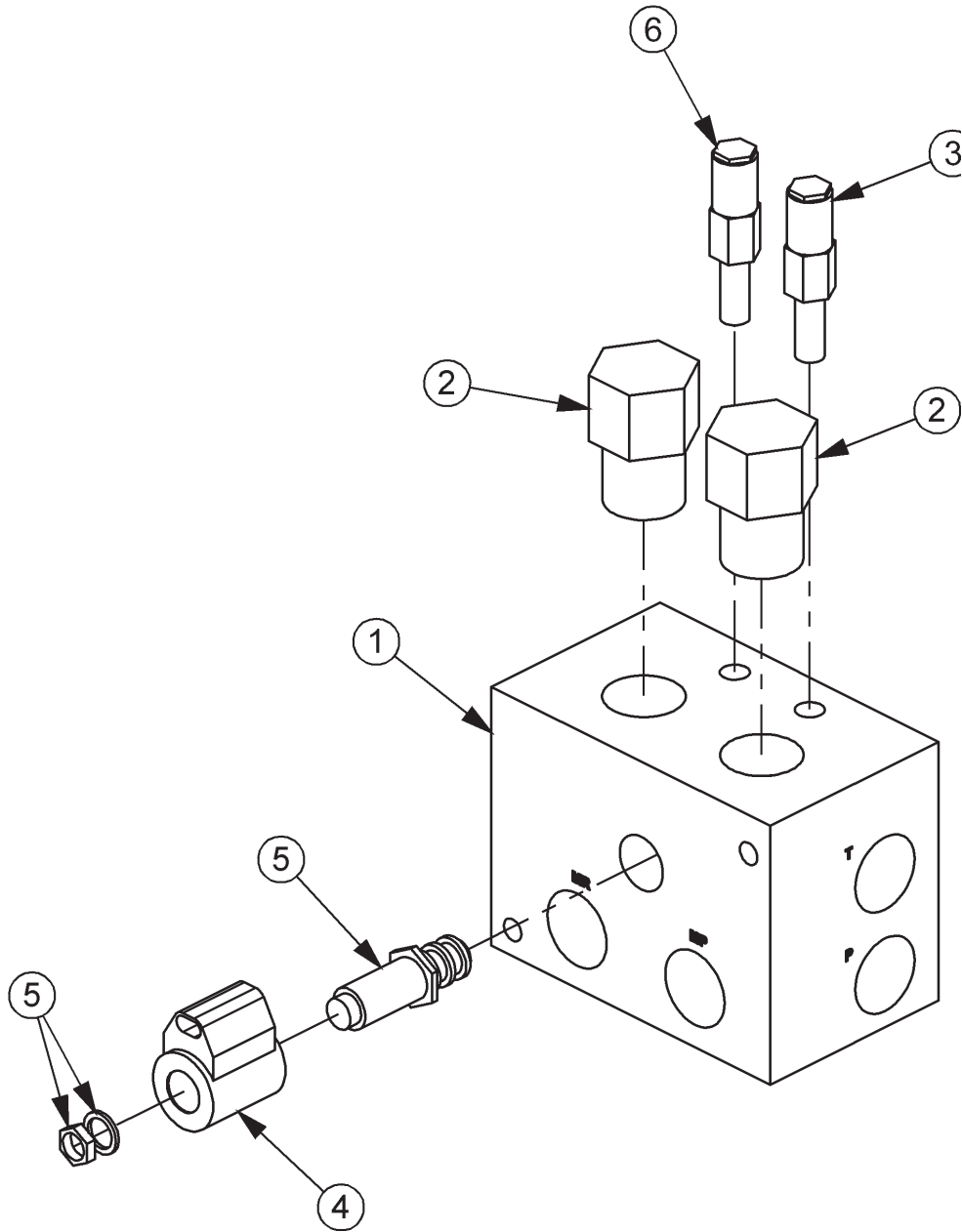
ITEM	PART NO.	QTY.	DESCRIPTION
1	06410113	1	MNT,EXHAUST,TSA115-135
2	06410121	1	MNT,EXHAUST,SUPPORT,TSA115-135
3	06520023	1	TUBE,EXHAUST RELOCATE,TSA,6CYL
4	32986	2	CLAMP,EXHAUST,3 1/2
5	21630	4	CAPSCREW,3/8x1,NC
6	21988	4	LOCKWASHER,3/8
7	21625	4	HEX NUT,3/8 NC
8	*	2	EXISTING MAINFRAME HARDWARE

BOOM MOWER WHEEL WEIGHT KIT



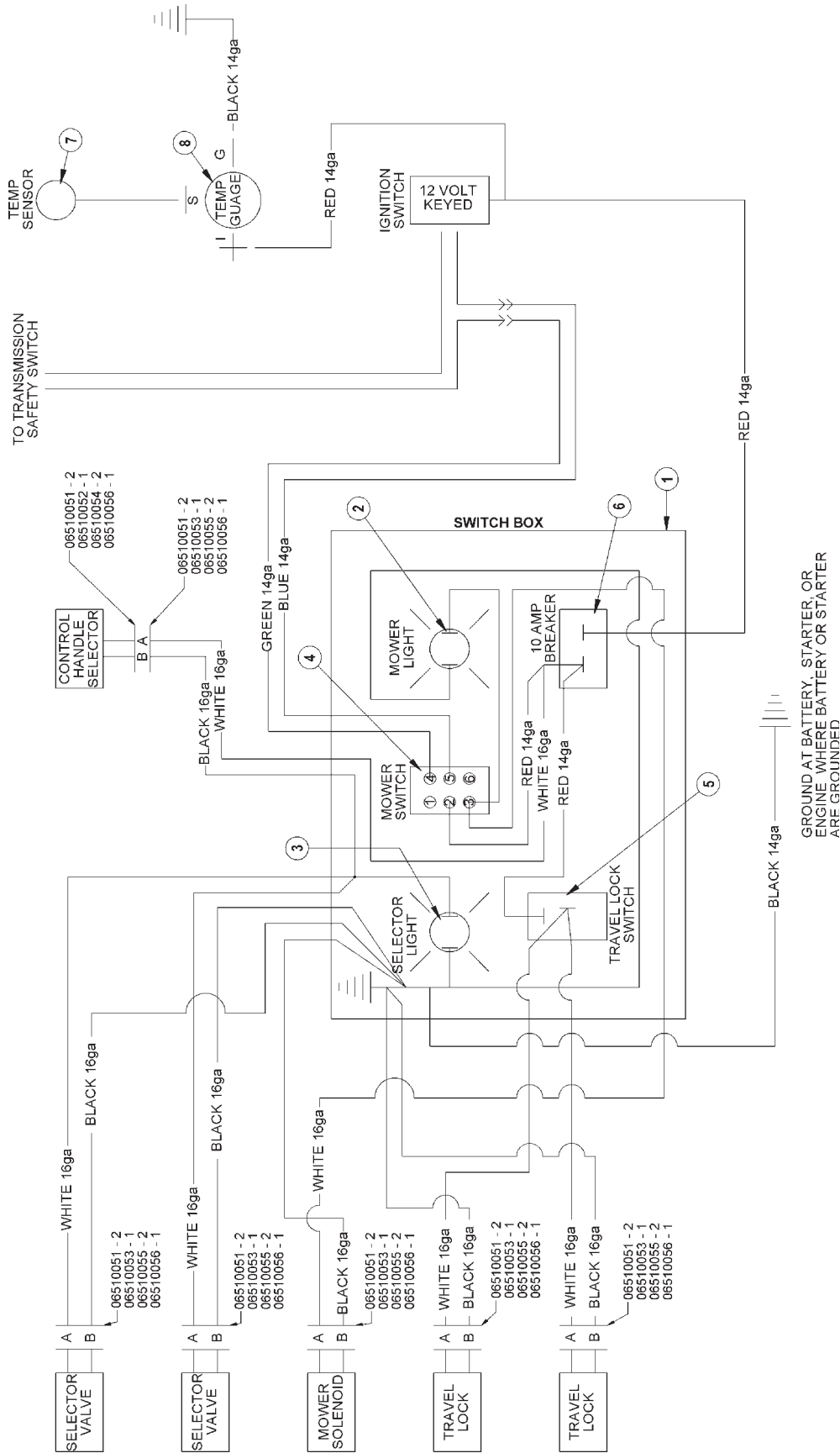
ITEM	PART NO.	QTY.	DESCRIPTION
1	32615	1	WHL WT,INBOARD,1700#,DRLL&TAP 14.75OC,OUTBOARD
2	06531000	3	HEX NUT, 7/8" NC,GR8
3	06530213	3	CAPSCREW,7/8x16,NC,GR8,3"THRD
4	06533000	6	FLATWASHER,7/8",GR8
5	06100920	1	TRACTOR RIM
6	TB3278	3	SPACER,WHL WHT,2x1x3,CNH

BRAKE VALVE ASSEMBLY W/ METRI PAK



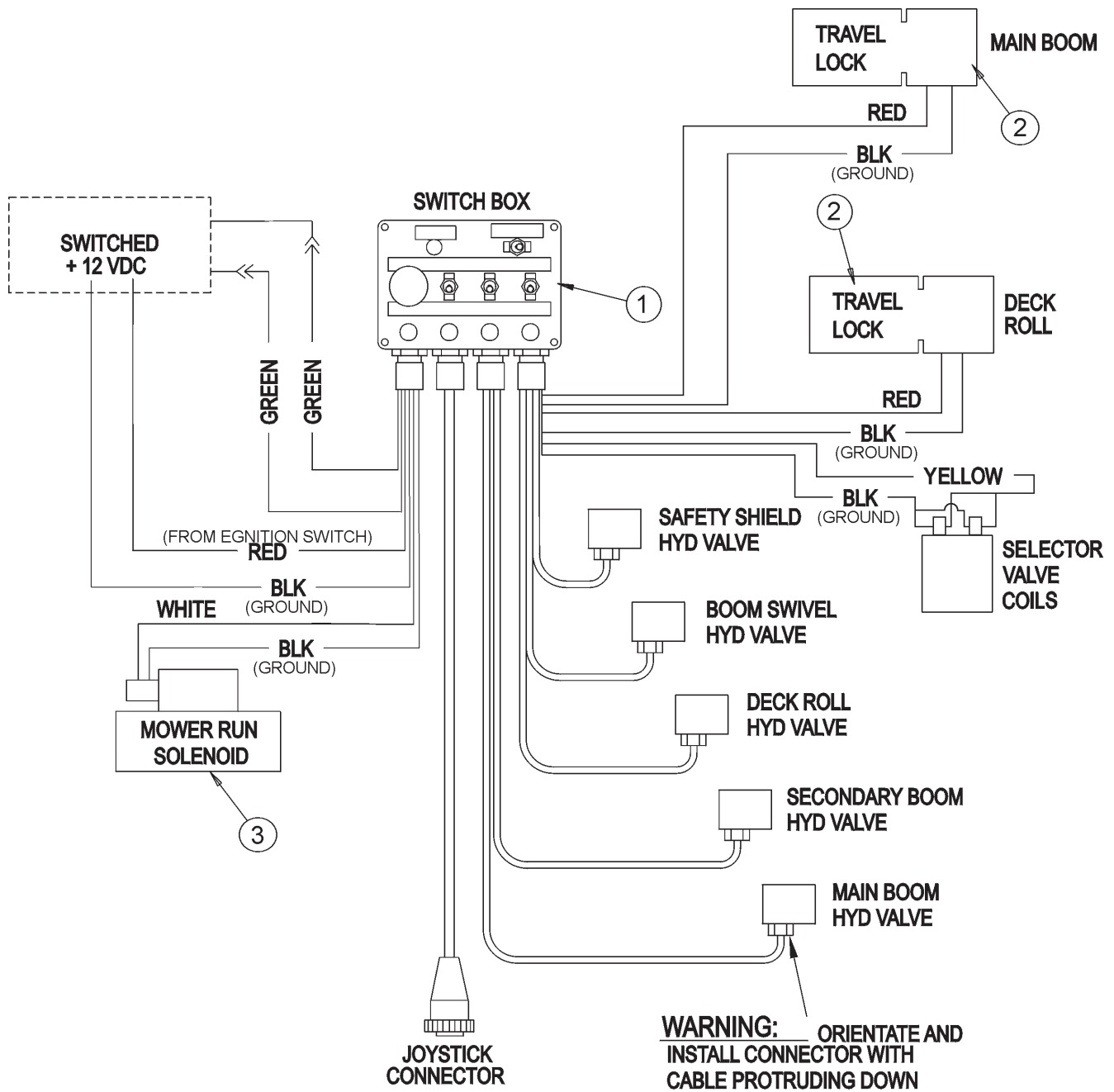
ITEM	PARTNO.	QTY.	DESCRIPTION
1	34092	1	BRAKE VALVE, BLANK
2	34095	1	RELIEF VALVE, 3000 PSI
3	34094	2	LOGIC ELEMENT
4	06510095	1	METRI PAK COIL
5	34093	1	CARTRIDGE, 2 POSITION, 3 WAY (WITH NUT & WASHER)

SELECTOR VALVE AND SWITCH BOX WIRING (HUSCO)



ITEM	PART NO.	QTY. AVAIL	DESCRIPTION
1	06510049	1	SWITCH BOX ASY BOOMKAT (COMPLETE)
2	34325	1	SWITCH BOX
3	6T3923	1	INDICATOR LIGHT
4	06510069	1	SELECTOR INDICATOR LIGHT
5	PT3905A	1	TOGGLE SWITCH, MOWER RUN
7	34532	1	TOGGLE SWITCH, TRAVEL LOCK
8	6T3931	OPT.	TEMPERATURE SENSOR
	6T3934	OPT.	TEMPERATURE GAUGE

JOYSTICK AND SWITCH BOX WIRING / BENGAL BRUTE

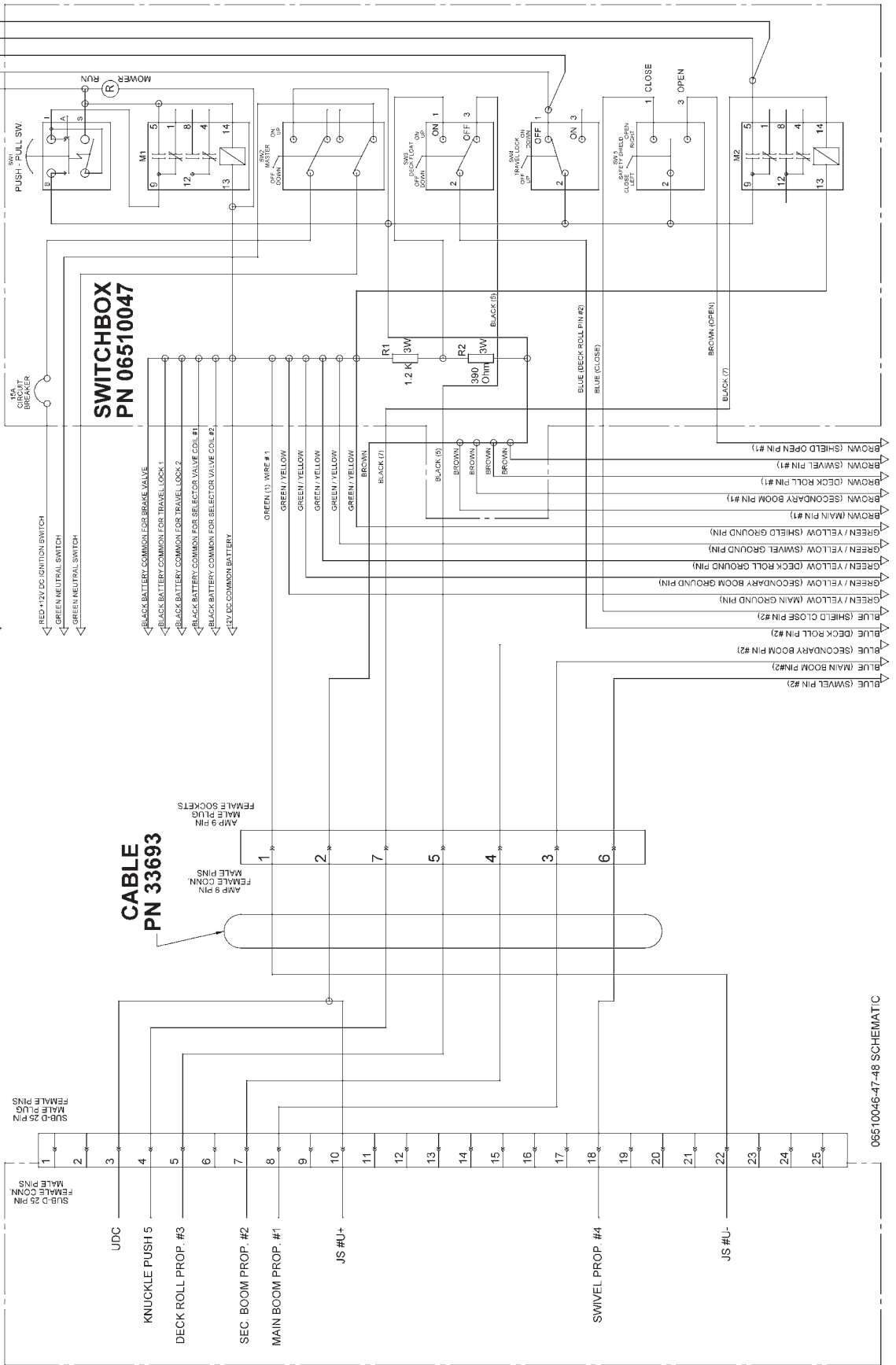


32731

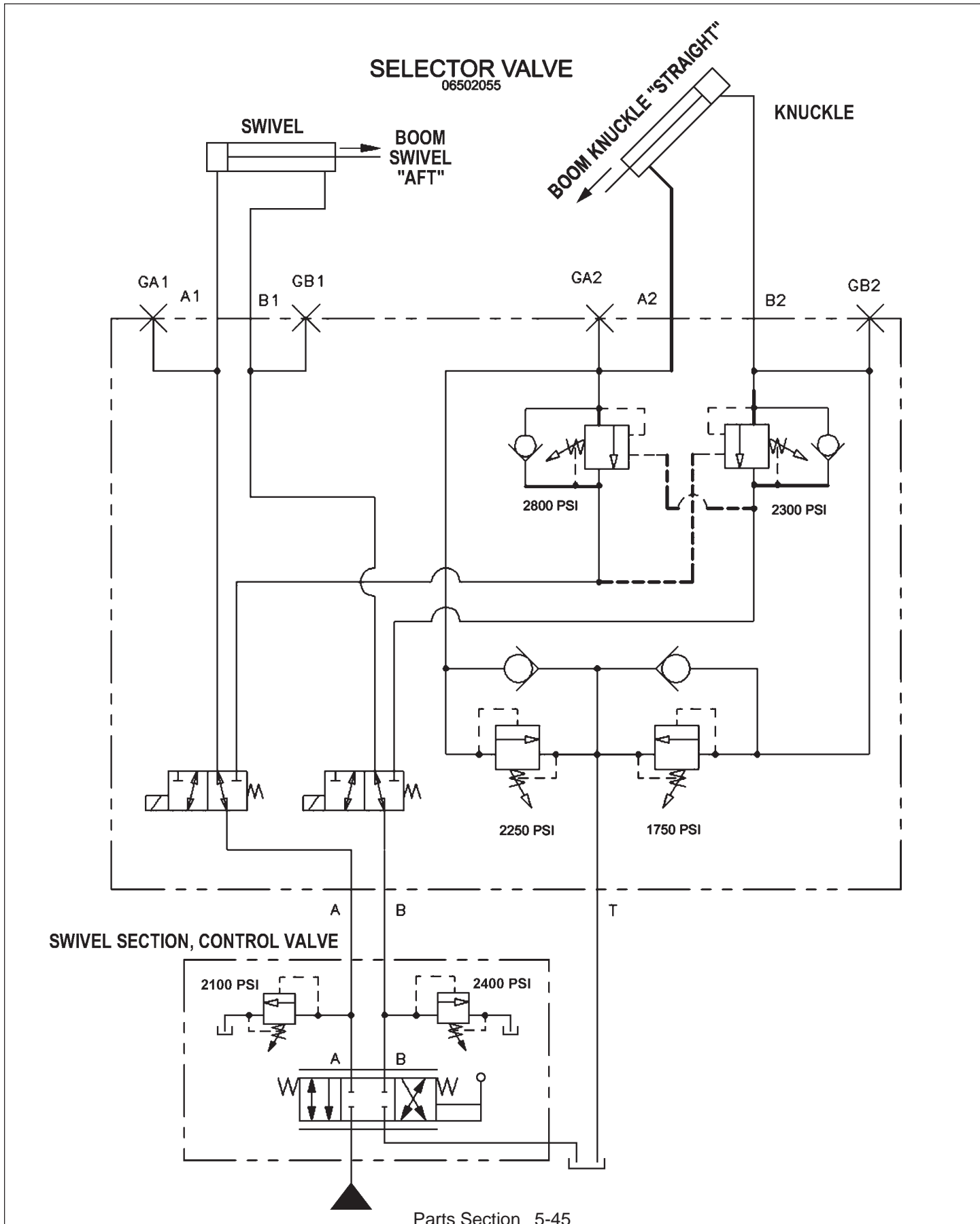
ITEM	PART NO.	QTY.	DESCRIPTION
1	06510047	1	SWITCHBOX
2	REF.	*	TRAVEL LOCK - REFER TO HYDRAULICS
3	REF.	*	SOLENOID - REFER TO MAIN FRAME

SWITCH BOX SCHEMATIC (DANFOSS)

**RIGHT HANDED JOYSTICK
PN 06510046**



SELECTOR VALVE SCHEMATIC



TROUBLESHOOTING

JOYSTICK TROUBLESHOOTING

Boom operation not responding to joystick movement.

Isolate hydraulic vs. electronic symptom.

Turn off electronic master switch (preventing electronic actuator on valve from attempting to hold spool in neutral position). With tractor engine running, operate the valve section with the manual handle. If function operates normally, continue with electronic inspection. If function does not operate normally, continue with hydraulic inspection.

Electronic inspection.

Connect a voltmeter to the cable connector of the valve section that is not operating. This will allow you to measure supply and signal voltage when the joystick is operated.

Main, Secondary, and Swivel Valves – signal voltage should be 50% of supply voltage with joystick in Neutral position, up to 75% of supply voltage in B direction, down to 25% of supply voltage in A direction. Signal voltage should change smoothly with lever movement.

Pin #1 – Supply Voltage Pin #2 – Signal Voltage Pin #gnd – ground

Deck Roll Valve or Float Valve – signal voltage should be 50% of supply voltage with joystick in Neutral position, up to 65% of supply voltage in B direction, down to 35% of supply voltage in A direction. Signal voltage should change smoothly with lever movement. Signal voltage should be approximately 75% of supply voltage when float switch is operated.

Pin #1 – Supply Voltage Pin #2 – Signal Voltage Pin #gnd – ground

Shield Valve or On/Off Valve – Voltage on pin #1 should be equal to supply voltage when switch is operated in A direction. Voltage on pin #2 should be equal to supply voltage when switch is operated in B direction.

Pin #1 – Signal Voltage Pin #2 – Signal Voltage Pin #gnd – ground

If none of the valve will operate with electrical signal, verify that there is oil pressure at the valve inlet. Electrical Valves must have pilot supply oil to move the spools.

Possible electronic problems.

Open circuit (broken wire, bad connection or loose connection in switch box).
Shorted to positive, ground, or other.
Incorrect voltage signal from joystick.

Continued on next sheet

Parts Section 5-46

TROUBLESHOOTING

Hydraulic inspection.

Install 3 pressure gauges, on the valve inlet (use M port, or tee into hose supplying oil from the pump to the inlet), on the workport that is not operating, and on the LS port.

With the spools in Neutral

Gear pump – P should be approximately 200 psi, LS = 0, workport – pressure on cylinder or function.

LS pump – P should equal pump standby pressure, LS = 0, workport – pressure on cylinder or function.

Pressure Comp pump – P should equal pump standby pressure, LS = 0, workport – pressure on cylinder or function.

Gear pump – P should be approximately 200 psi higher than LS, LS should equal workport, workport – pressure on cylinder or function.

LS pump – P should be LS + standby, LS should equal workport, workport – pressure on cylinder or function.

Pressure Comp pump – P should equal pump standby pressure, LS should equal workport, workport – pressure on cylinder or function.

Operate one spool, measure pressures with function at end of travel or stop

Gear pump – P should equal valve relief setting or workport shock valve setting. LS should equal workport. Workport should equal relief setting or workport shock valve setting.

LS pump – P should equal valve relief setting, pump max pressure setting, or workport shock valve setting. LS should equal workport. Workport should equal relief setting, pump max pressure setting, or workport shock valve setting.

Pressure Comp pump – P should equal pump standby pressure, LS should equal workport. Workport should equal pump standby pressure or workport shock valve setting.

Operate more than one spool.

Gear pump – P should be approximately 200 psi higher than LS. LS should equal highest workport pressure. Workport – pressure on cylinder or function.

LS pump – P should be LS + standby pressure. LS should equal highest workport pressure. Workport – pressure on cylinder or function.

Pressure Comp pump. P should equal pump standby pressure. LS should equal highest workport pressure. Workport – pressure on cylinder or function.

Possible hydraulic problems.

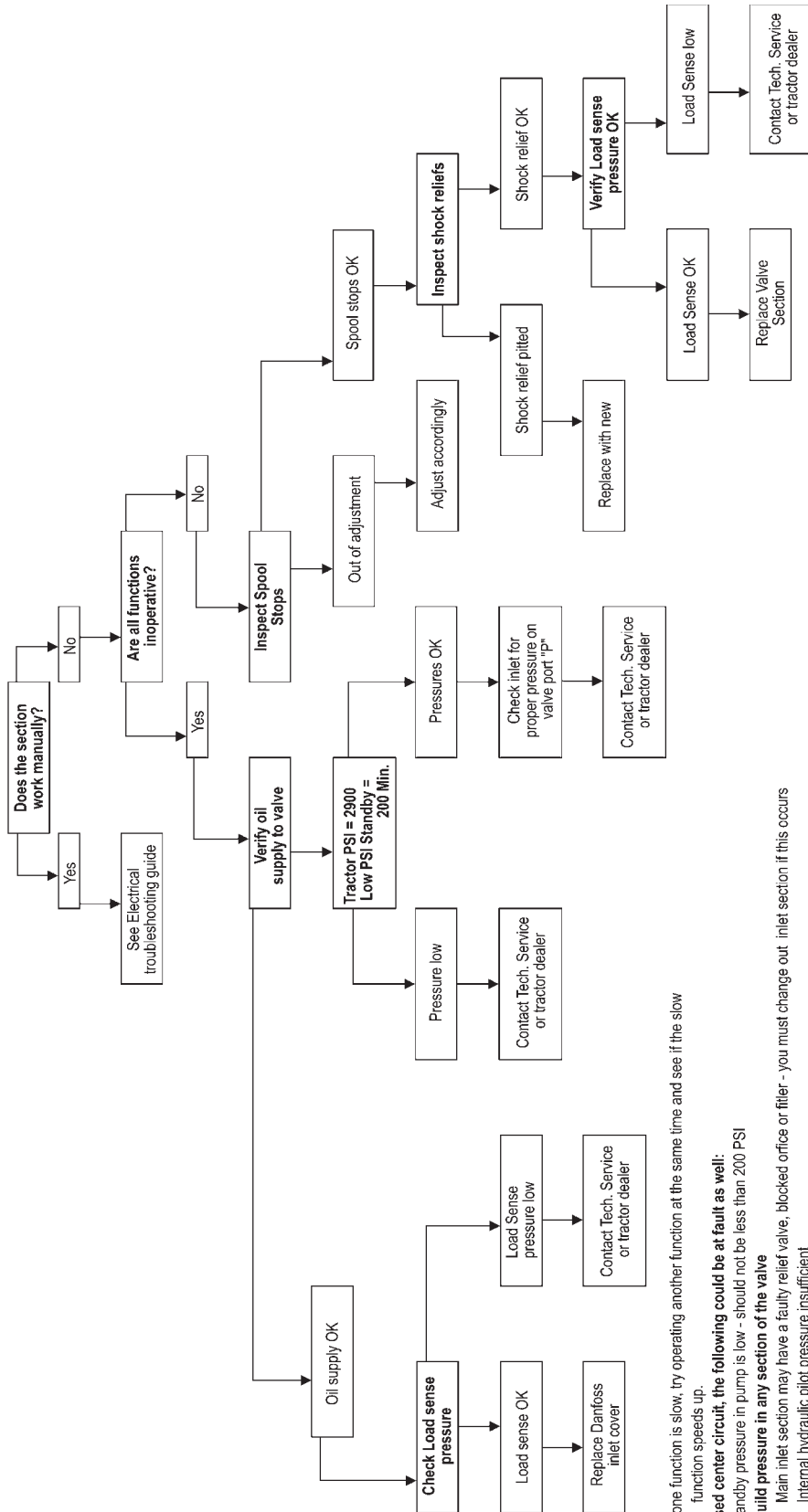
Cylinder leak.

LS signal leaking to tank before reaching pump LS port.

Hydraulic system or pump not supplying flow to valve.

HYDRAULIC - TROUBLESHOOTING GUIDE

Hydraulic Troubleshooting guide



Notes: If one function is slow, try operating another function at the same time and see if the slow function speeds up.

On a closed center circuit, the following could be at fault as well:

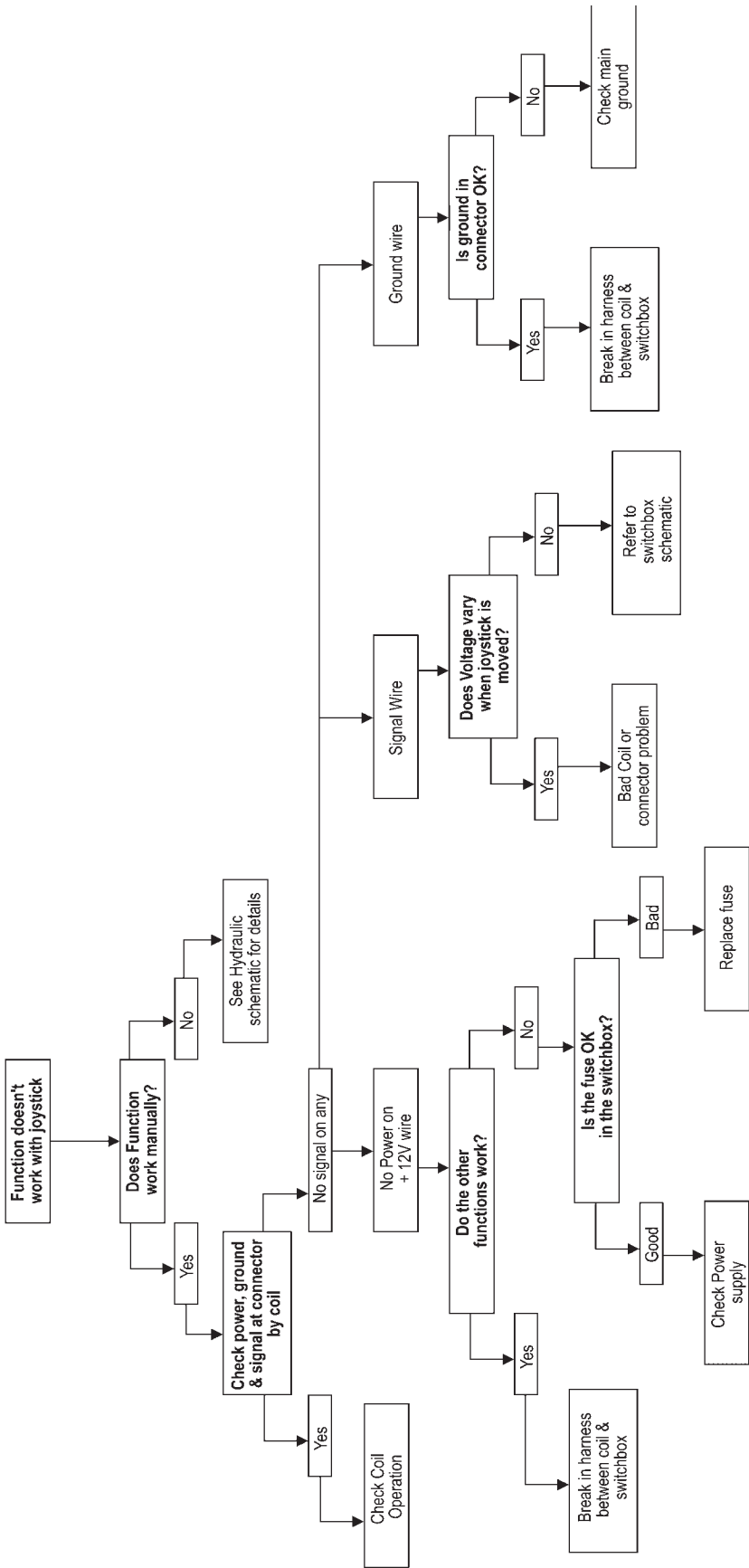
Tractor standby pressure in pump is low - should not be less than 200 PSI

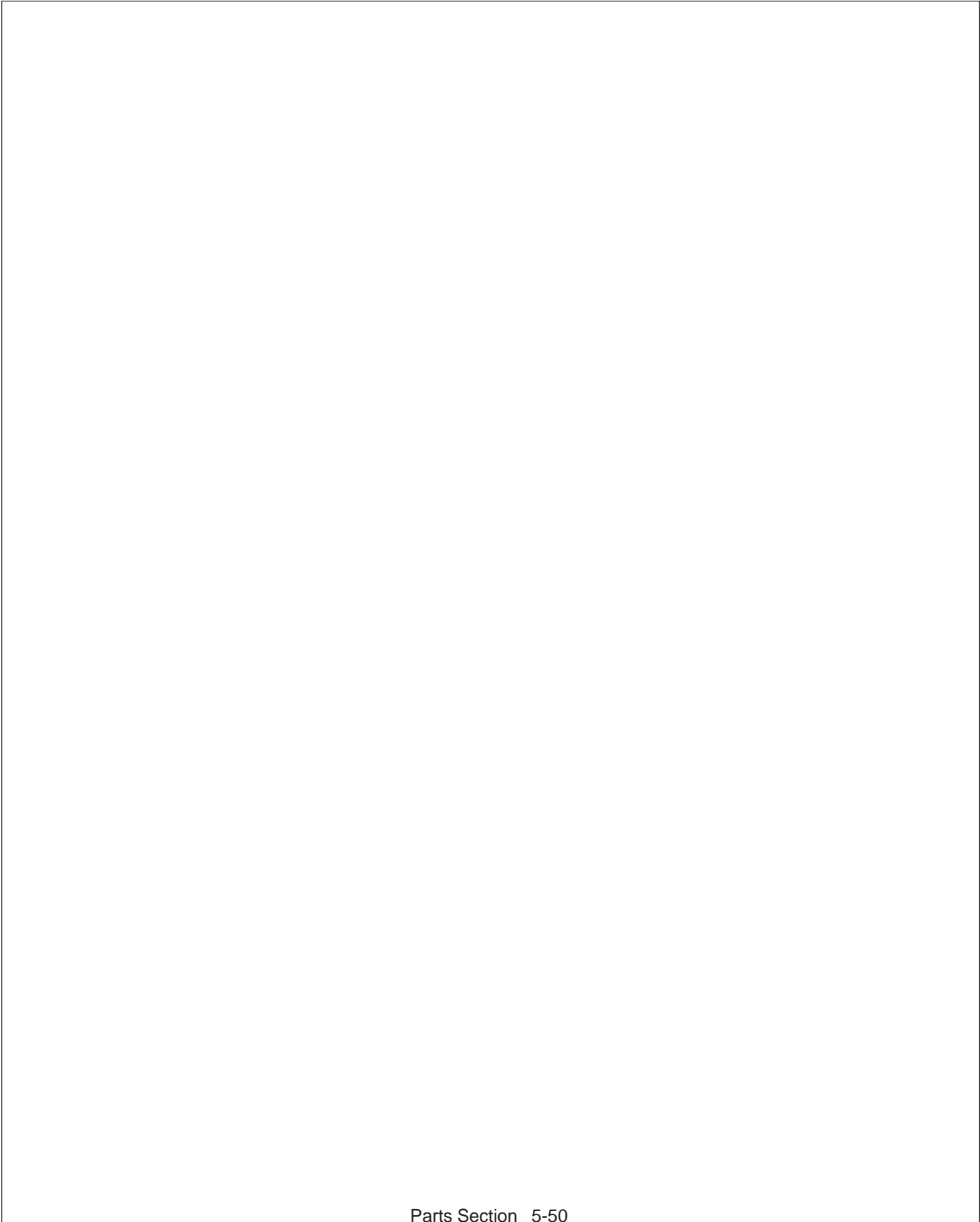
Cannot build pressure in any section of the valve

Main inlet section may have a faulty relief valve, blocked orifice or filter - you must change out inlet section if this occurs
Internal hydraulic pilot pressure insufficient

ELECTRICAL - TROUBLESHOOTING GUIDE

Danfoss Electrical Troubleshooting guide





BENGAL BRUTE COMMON SECTION

COMMON PARTS SECTION

TABLE OF CONTENTS

SECTION SPECIFIC PARTS	PAGE
BOOM SWIVEL HOSE ROUTING	6-4
BENGAL BRUTE BOOM ARM	6-6
BENGAL BRUTE BOOM ARM / PREFORMED TUBES	6-8
BENGAL BRUTE BOOMREST	6-10
BENGAL BRUTE ROTARY PIVOT ASSY	6-12
BENGAL BRUTE FLAIL PIVOT ASSY	6-14
50" BOOM ROTARY MOWER DECK ASSY	6-16
60" BOOM ROTARY MOWER DECK ASSY	6-18
ROTARY KNIVES AND ASSYS	6-20
50" BOOM FLAIL DRIVE ASSY	6-24
50" BOOM FLAIL CUTTER ASSY	6-26
63" BOOM FLAIL DRIVE ASSY	6-28
63" BOOM FLAIL CUTTER ASSY	6-30
HYDRAULIC CYLINDERS	6-32
ROTARY MOWER SPINDLE ASSY	6-38
RESERVOIR TANK FILTER ASSEMBLY	6-42
DANFOSS VALVE BREAKDOWN	6-44
5SP HUSCO VALVE BREAKDOWN	6-46
4SP HUSCO VALVE BREAKDOWN	6-48
FRONT HYDRAULIC PUMP & TSR MOTOR	6-50
50" & 60" ROTARY MOWER MOTOR	6-52
FLAIL MOWER MOTOR	6-54
MANUAL CONTROLS SWITCHBOX	6-55
BOOM TRAVEL LOCK ASY	6-56
SYSTEM HYDRAULICS SCHEMATIC	6-57
JOYSTICK SWITCHBOX	6-58
SELECTOR VALVE SCHEMATIC	6-60
BRAKE VALVE	6-61
TROUBLESHOOTING GUIDE	6-62
CLEAN CUTTER BOOM	6-67
FIRE SUPPRESSION SYSTEM	6-75

PARTS ORDERING GUIDE

The following instructions are offered to help eliminate needless delay and error in processing purchase orders for the equipment in this manual.

1. The Parts Section is prepared in logical sequence and grouping of parts that belong to the basic machine featured in this manual. Part Numbers and Descriptions are given to help locate the parts and quantities required.
2. The Purchase Order must indicate the **Name and Address** of the person or organization ordering the parts, **who should be charged**, and if possible, the **serial number of the machine** for which the parts are being ordered.
3. The purchase order must clearly list the **quantity of each part**, the complete and correct **part number**, and the basic **name of the part**.
4. The manufacturer reserves the right to substitute parts where applicable.
5. Some parts may be unlisted items which are special production items not normally stocked and are subject to special handling. Request a quotation for such parts before sending a purchase order.
6. The manufacturer reserves the right to change prices without prior notice.

NOTE: When ordering replacement decals, refer to the part numbers and descriptions listed in the safety section in the front of this manual.



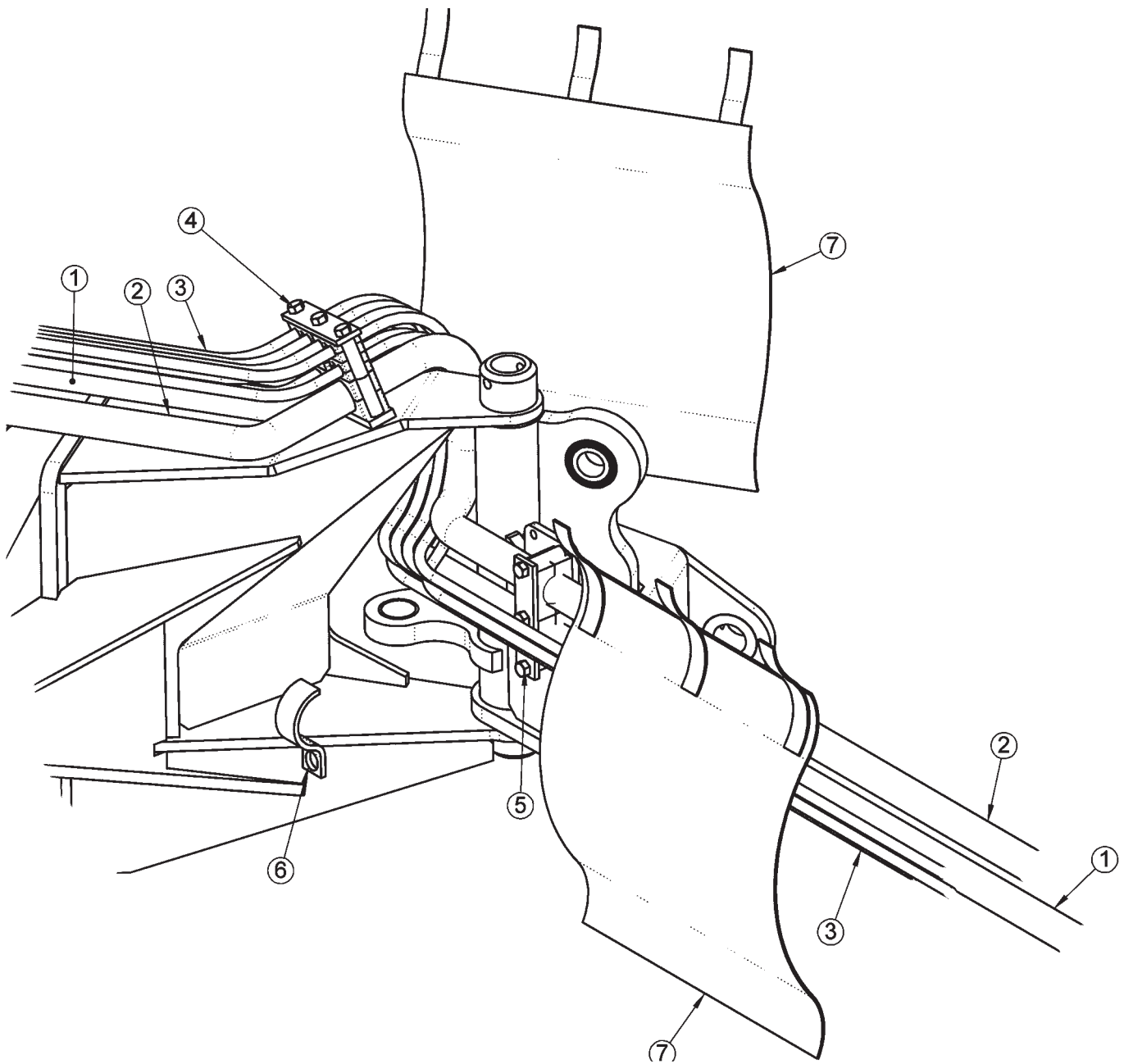
1000

For maximum safety and to guarantee optimum product reliability, always use genuine **Tiger** replacement parts. The use of inferior replacement parts may cause premature or catastrophic failure which could result in serious injury or death.

Direct any questions regarding parts to:

Tiger Corporation
3301 N. Louise Ave.
Sioux Falls, SD 57107
1-800-843-6849
1-605-336-7900

BOOM HOSES ROUTING - LRS, 3OS & 3PS BOOMS



ITEM	PART NO.	QTY.	DESCRIPTION
1	-	1	1" HOSE TO MAIN BOOM LOWER TUBE
2	-	1	1" HOSE TO MAIN BOOM UPPER TUBE
3	-	6	1/4" HOSE TO MAIN BOOM
4	06505085	1	CLAMP KIT
5	35131	1	CLAMP KIT
6	TB3012	1	CLAMP
7	06505021	2	HOSE COVER"

NOTES

PAGE
INTENSIONALLY
LEFT
BLANK

BENGAL BRUTE ARM

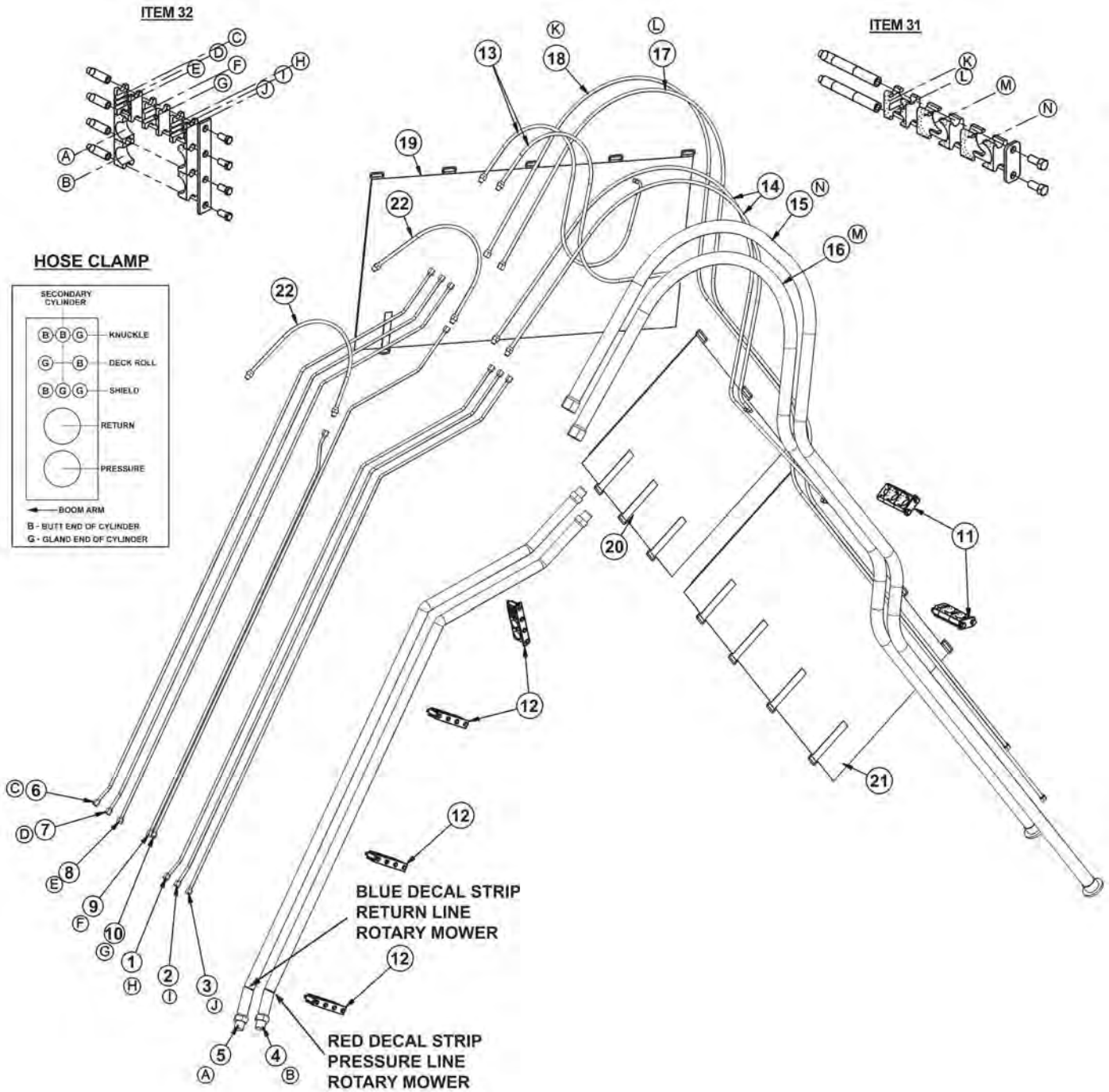
ITEM	PART NO.	QTY.	DESCRIPTION
1	06700017	1	SWIVEL ASSY *REFER TO TRACTOR MOUNT KIT
2	06700031	1	MAIN BOOM ARM ASSY
3	06310013	1	MAIN BOOM WLDMNT
4	06520075	2	BUSHING,1-1/2ID x 2-1/2
5	TB3010	2	BUSHING,1ID
6	06700036	1	KNUCKLE BOOM ARM ASSY
7	06310007	1	KNUCKLE BOOM WLDMNT
8	06520076	2	BUSHING,1ID x 1
9	06520077	2	BUSHING,2ID x 1
10	06520075	2	BUSHING,1-1/2ID x 2-1/2
11	06520080	1	BOOM STOP PAD
12	21527	4	NYLOCK NUT,1/4,NC
13	22014	4	FLATWASHER,1/4
14	21532	4	CAPSCREW,1/4 x 1-1/2
15	06700037	1	SECONDARY BOOM ARM ASSY
16	06310008	1	SECONDARY BOOM WLDMNT
17	06520076	2	BUSHING,1ID x 1
18	06501022	1	CYLINDER,4 x 20
19	06501024	1	CYLINDER,3-1/2 x 20
20	06501023	1	CYLINDER,3 x 18
21	06501021	1	CYLINDER,3 x 10
22	06537021	6	ROLLPIN,5mm
23	06420100	1	PIN,1-1/4 x 3-5/8
24	21688	2	CAPSCREW,7/16 x 3-1/4,NC
25	21677	3	NYLOCK NUT,7/16,NC
26	06420022	1	PIN,1-1/2 x 12-3/4
27	06420017	1	PIN,1-3/4 x 8-9/16
28	TB1023	8	ROLLPIN,7/32
29	06420014	4	PIN,1 x 3-5/8
30	TB1033	2	PIN,1 x 3-1/2
31	21689	1	CAPSCREW,7/16 x 3-1/2
32	TB1036	1	PIN,1 x 4-11/16
33	TF1143	1	LYNCH PIN,7/16 x 2
34	06420015	1	PIN,1-1/2 x 11-3/4
35	6T3702	2	GREASE ZERK,1/4
36	06510050	1	TRAVEL LOCK
37	31329	1	ADAPTER,1/2ORB x 1/2ORB ADJ
38	32810	1	ELBOW,1/2ORB x 3/8MJ90 ADJ
39	*	REF	SPHERICAL BEARING
40	TB3033	1	CLEVIS W/ SPHERICAL BEARING

CONTINUED

Bengal Brute Common Section 6 - 7

05-25-05

BENGAL BRUTE ARM / PREFORMED TUBES

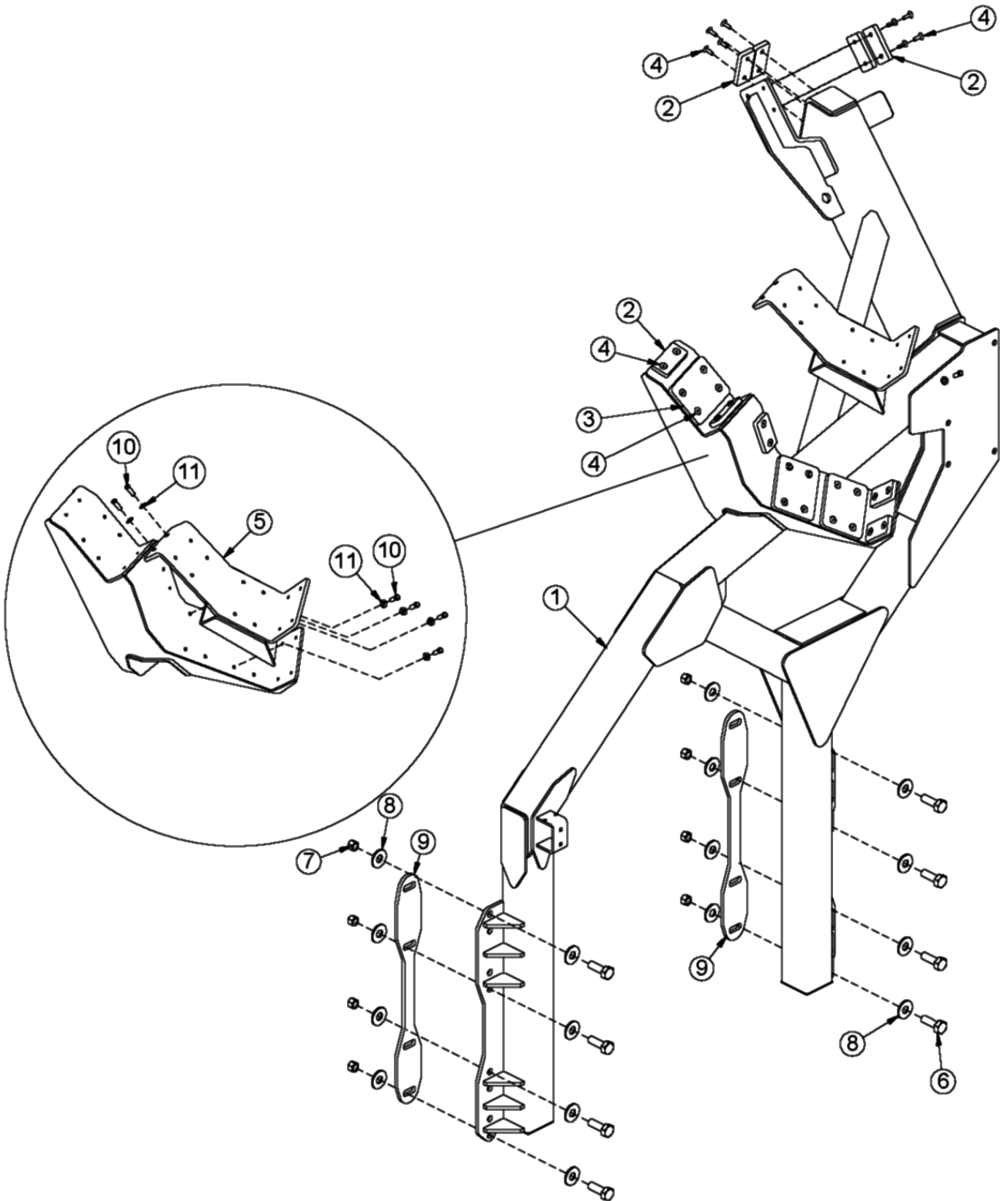


05-25-05

BENGAL BRUTE ARM / PREFORMED TUBES

ITEM	PART NO.	QTY.	DESCRIPTION
1	06506020	1	PREFORMED TUBE #8
2	06506019	1	PREFORMED TUBE #7
3	06506018	1	PREFORMED TUBE #6
4	06506022	1	PREFORMED TUBE #9
5	06506021	1	PREFORMED TUBE #10
6	06506015	1	PREFORMED TUBE #3
7	06506014	1	PREFORMED TUBE #2
8	06506013	1	PREFORMED TUBE #1
9	06506017	1	PREFORMED TUBE #5
10	06506016	1	PREFORMED TUBE #4
11	06505024	2	CLAMP KIT
12	06505019	4	CLAMP KIT
13	06500152	2	HOSE, 1/4" X 66"
14	06500153	2	HOSE, 1/4" X 70"
15	06500154	1	HOSE, 1" X 141"
16	06500155	1	HOSE, 1" X 126"
17	06500156	1	HOSE, 1/4" X 143"
18	06500157	1	HOSE, 1/4" X 154"
19	06505020	1	HOSE WRAP
20	06505021	1	HOSE WRAP
21	06505022	1	HOSE WRAP

BOOMREST - BENGAL BRUTE



Bengal Brute Common Section 6 - 10

BOOMREST - BENGAL BRUTE

ITEM	PART NO.	QTY	DESCRIPTION
1	06310039	1	BOOMREST,LRS
2	06520078	9	STRIP,REST,SEC,1
3	06520079	3	STRIP,REST,SEC,2
4	28734	30	CAPSCREW,FLT/SKT HD,3/8X1NC
5	06310017	1	STOP,TRB60,RS
6	21833	8	CAPSCREW, 3/4 x 2 1/4,NC
7	21825	8	HEX NUT,3/4,NC
8	22021	16	FLATWASHER,3/4"
9	TRACTOR SPECIFIC AXLE BRACE		
10	21630	6	CAPSCREW, 3/8 x 1,NC
11	21988	6	LOCKWASHER,3/8"

* - AMOUNTS VARY DEPENDING ON THE MOWER HEAD.

FLAIL HEAD

3	06520079	1	REST STRIP, SEC, 2
2	06520078	2	REST STRIP, SEC, 1
4	28734	8	CAPSCREW, FLT/SKT HD, 3/8X1NC

50" ROTARY HEAD

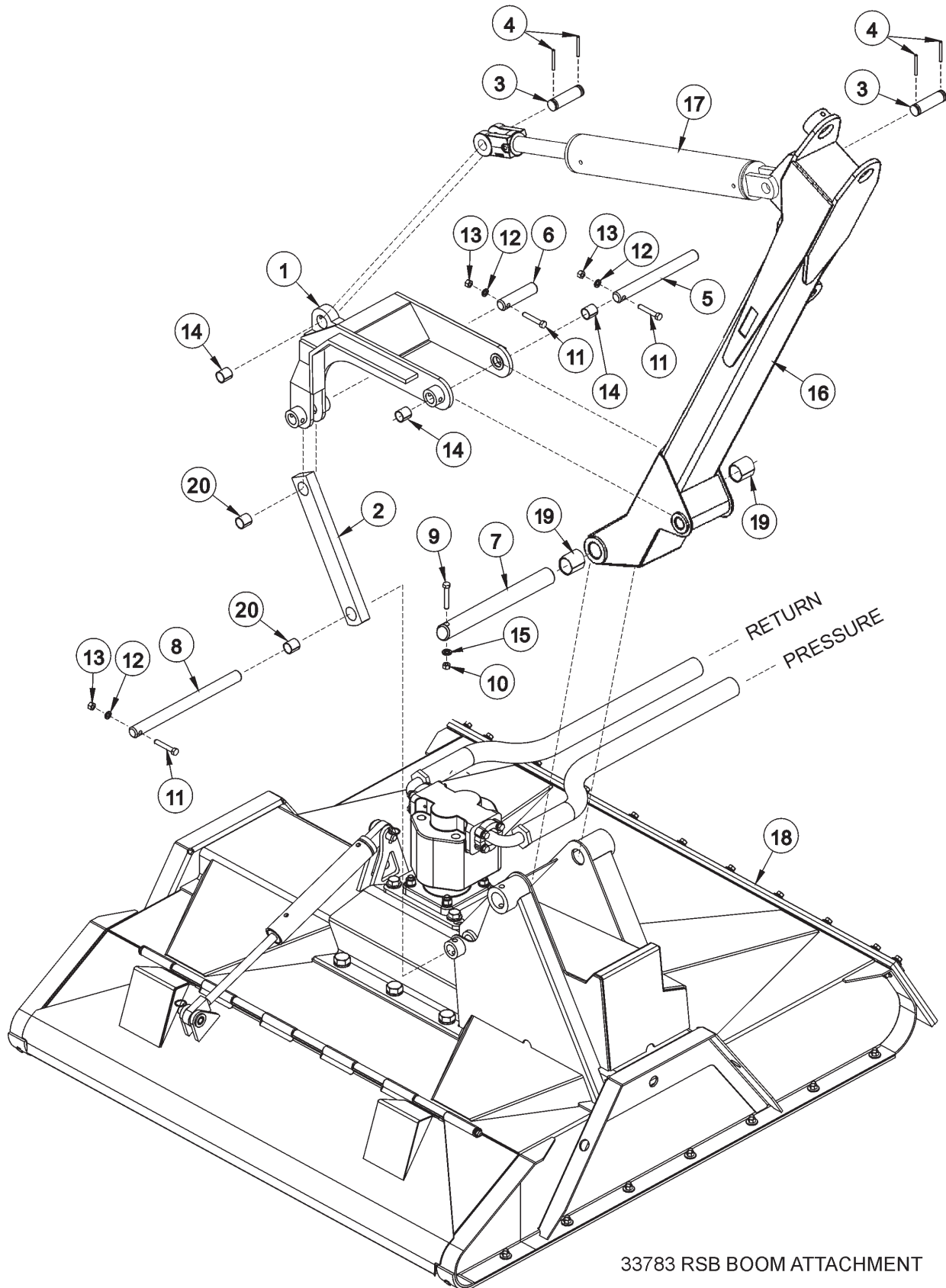
3	06520079	2	REST STRIP, SEC, 2
2	06520078	3	REST STRIP, SEC, 1
4	28734	14	CAPSCREW, FLT/SKT HD, 3/8X1NC

60" ROTARY HEAD

3	06520079	2	REST STRIP, SEC, 2
2	06520078	2	REST STRIP, SEC, 1
4	28734	14	CAPSCREW, FLT/SKT HD, 3/8X1NC
5	06310017	1	STOP, TRB60, RS
10	21630	6	CAPSCREW - 3/8" X 1" NC
11	21988	6	LOCKWASHER - 3/8"

NOTE: FOR TRANSPORTING ON A FLATBED THE **FLAIL HEAD** MUST BE STOWED IN THE UPPER MOST POSITION, THE **50" ROTARY** MUST BE STOWED IN THE LOWER POSITION AND THE **60" ROTARY** MUST BE STOWED IN THE LOWER POSITION ON THE STOP(**06310017**)

BENGAL BRUTE ROTARY PIVOT ASSY



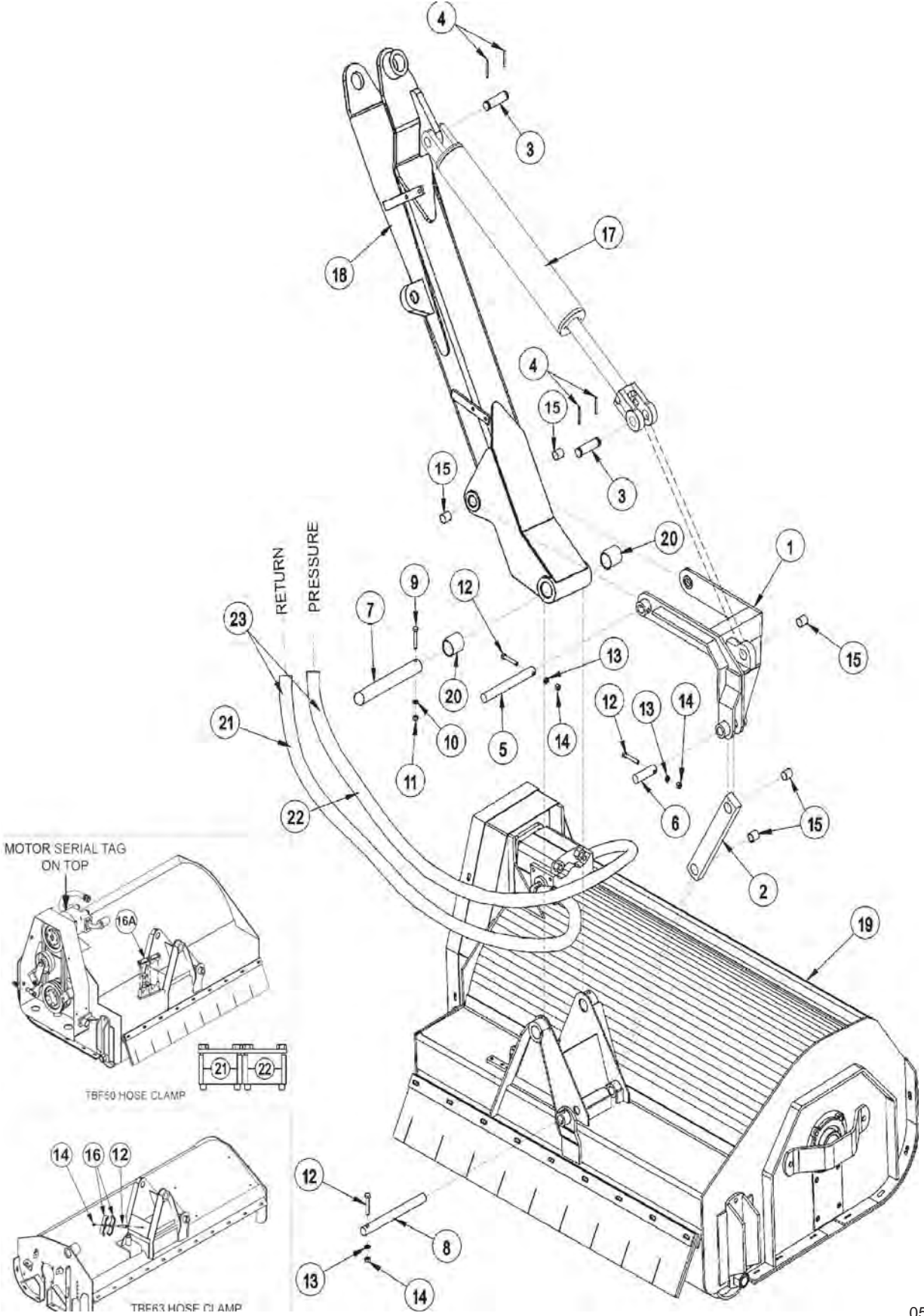
Bengal Brute Common Section 6 - 12

05-25-05

BENGAL BRUTE ROTARY PIVOT ASSY

ITEM	PART NO.	QTY.	DESCRIPTION
1	06700016	1	PIVOT ASSEMBLY
2	06700015	1	PIVOT ARM
3	06420014	2	PIN, CLEVIS
4	TB1023	4	ROLL PIN
5	06420019	1	PIN
6	06420020	1	PIN
7	06420016	1	PIN
8	06420021	1	PIN
9	21688	1	CAPSCREW 7/16" X 2-3/4", NC
10	21675	1	HEX NUT, 7/16", NC
11	21635	3	CAPSCREW 3/8" X 2 1/4"
12	21988	3	LOCKWASHER 3/8"
13	21625	3	HEX NUT 3/8"
14	06520076	3	BEARING, 1ID X 1
15	21989	1	LOCKWASHER 7/16"
16	*	REF.	SECONDARY BOOM - REFER TO BOOM ARM ASSY
17	*	REF.	CYLINDER - REFER TO BOOM ARM ASSY
18	*	REF.	ROTARY MOWER HEAD - REFER TO ROTARY DECK
19	06520075	2	BEARING, 1.50ID X 2.50
20	06520076	2	BEARING, 1ID X 1

BENGAL BRUTE FLAIL PIVOT ASSY



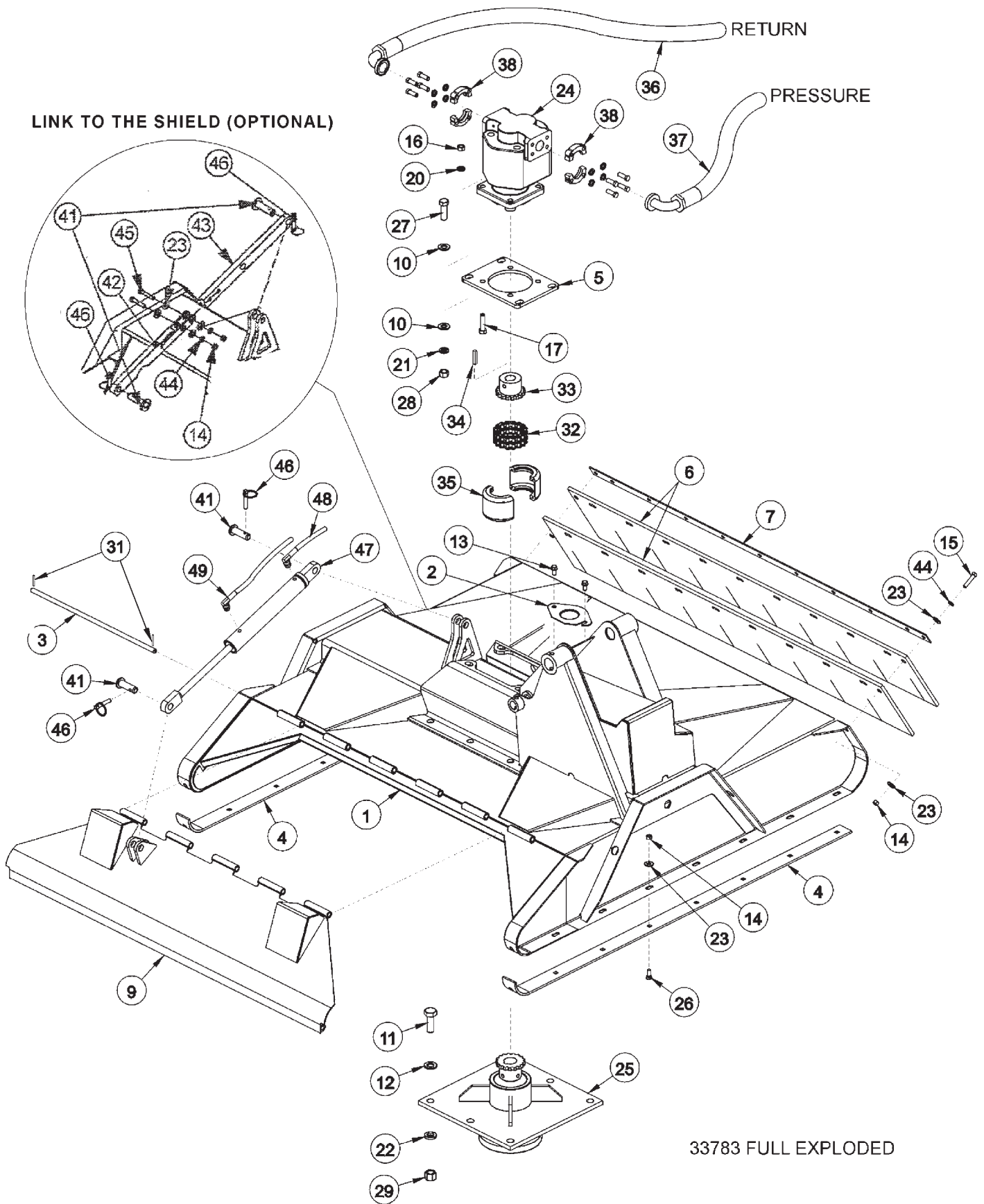
Bengal Brute Common Section 6 - 14

05-25-05

BENGAL BRUTE FLAIL PIVOT / HEAD ASSY

ITEM	PART NO.	QTY.	DESCRIPTION
1	06700029	1	PIVOT ASY
2	06700015	1	PIVOT ARM
3	06420014	2	PIN CLEVIS
4	TB1023	4	ROLL PIN
5	06420019	1	PIN
6	06420020	1	PIN
7	06420018	1	PIN
8	06420021	1	PIN
9	21688	1	CAPSCREW 7/16" X 3 1/4"
10	21989	1	LOCKWASHER 7/16"
11	21675	1	HEX NUT 7/16"
12	21635	2	CAPSCREW 3/8" X 2 1/4"
13	21988	2	LOCKWASHER 3/8"
14	21625	2	HEX NUT 3/8"
15	06520076	5	BEARING, 1ID X 1
16	TB3031	1	DOUBLE HOSE CLAMP (USED ON THE 63" FLAIL)
16A	31723	1	CLAMP KIT, TBF 50 (USED ON THE 50" FLAIL)
**	21679	4	CAPSCREW, 7/16" x 1" NC
**	31916	4	POST, CLAMP, HOSE, 3000 PSI, FLAIL, BOOM
**	31917	4	CUSHION, CLAMP, HOSE, 3000 PSI, FLAIL, BOOM
**	31955	1	PLATE, TOP, CLAMP, TBF
17	*	REF.	CYLINDER - REFER TO BOOM ARM ASY
18	*	REF.	SECONDARY BOOM - REFER TO BOOM ARM ASY
19	*	REF.	FLAIL MOWER HEAD - REFER TO FLAIL CUTTER ASY
20	06520075	2	BEARING, 1.50ID X 2.50
21	06500158	1	HOSE, 1" X 145" (USED ON THE 50" FLAIL)
22	06500159	1	HOSE, 1" X 158" (USED ON THE 50" FLAIL)
23	06500159	2	HOSE, 1" X 158" (USED ON THE 63" FLAIL)

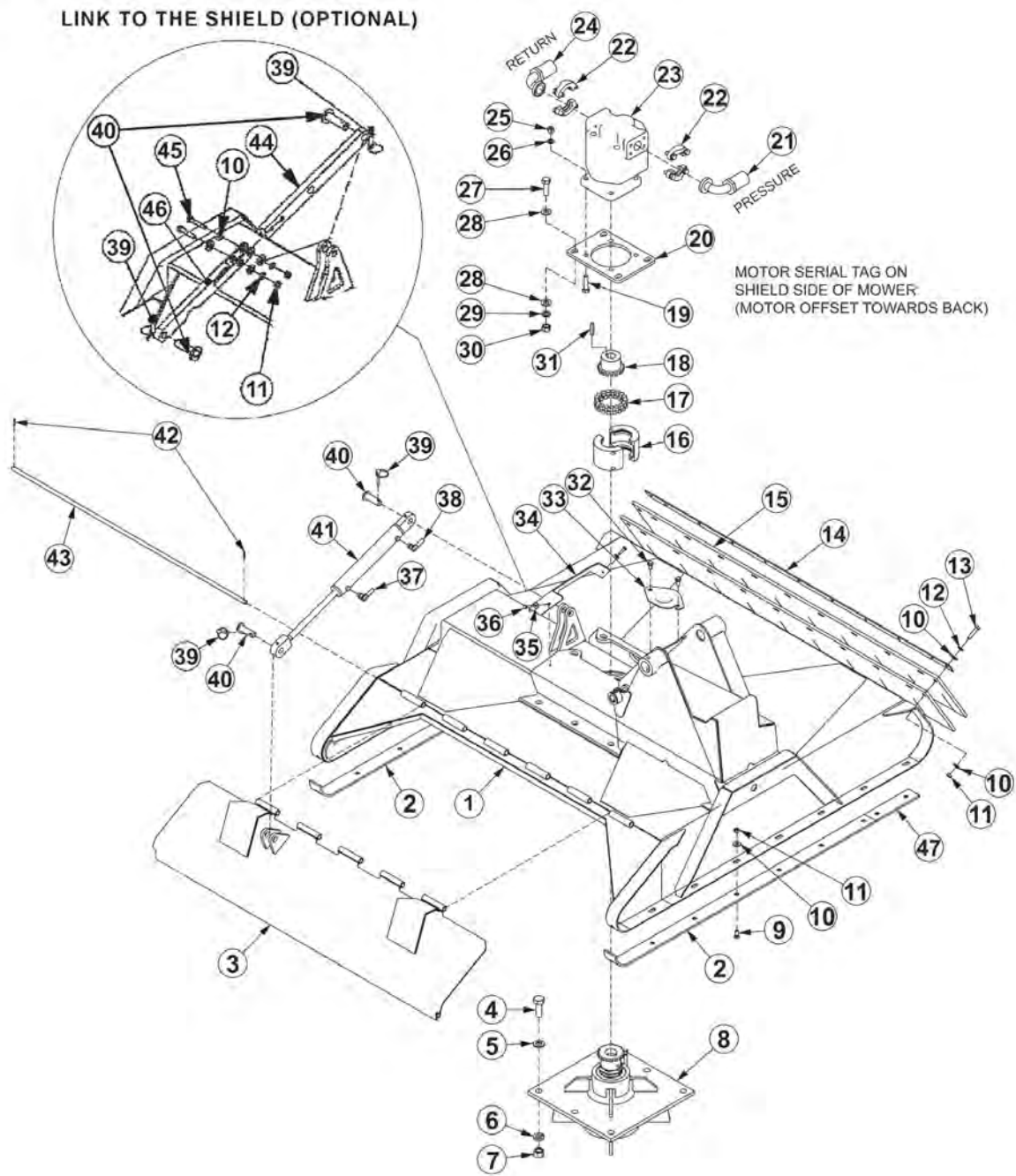
50" BOOM ROTARY MOWER ASSY



50" BOOM ROTARY MOWER ASSY

ITEM	P/N	QTY	DESCRIPTION
1	33780	1	DECK,WLDMNT,50" RTRY
2	33779	1	PLATE,COVER,KNF HOLE
3	33778	1	HINGE PIN,50" RTRY
4	33777	2	SKID SHOE,50" RTRY
5	33776	1	MOTOR MOUNT,PLATE,50" RTRY
6	33775	2	FLAP,50" RTRY
7	33774	1	FLAP RETAINER,50" RTRY
9	33754	1	SHIELD,50"RTRY
10	33764	8	FLATWASHER,5/8",GR 8,SAE
11	33879	6	CAPSCREW, 3/4 x 2 1/4,NF GR 8
12	33880	6	FLATWASHER,3/4",GR 8,SAE
13	33881	2	CAPSCREW,FLG, 3/8 x 3/4,NC
14	21625	29	HEX NUT,3/8",NC
15	21633	13	CAPSCREW, 3/8 x 1 3/4,NC
16	21725	4	HEX NUT, 1/2" NC
17	21733	4	CAPSCREW, 1/2 x 2,NC
20	21990	4	LOCKWASHER, 1/2"
21	21992	4	LOCKWASHER, 5/8
22	21993	6	LOCKWASHER,3/4",GR 8
23	22016	29	FLATWASHER,3/8"
24	06504012	1	MOTOR,(M365-1 3/4" GEAR)
25	6T1024H5	1	SPINDLE ASSY,CPLT,HD,5/8 HOLES
26	6T2270	16	PLOW BOLT,3/8" X 1" NC
27	6T2290	10	CAPSCREW,5/8x2,NF GR 8
28	6T2408	4	HEX NUT, 5/8, NF
29	6T2413	6	HEX NUT,3/4,NF,GR 8
30	33924	4	RETAINING RING,EXTERNAL,1/2"
31	6T3017	2	ROLLPIN
32	6T1029	1	COUPLER CHAIN
33	21223	1	SPROCKET
34	*****	1	SQUARE KEY
35	6T1033	1	COUPLER COVER WITH HARDWARE AND SEALS
36	06500154	1	HOSE, 1" x 141" - RETURN (BLUE DECAL STRIP)
37	06500155	1	HOSE, 1" x 126" - PRESSURE (RED DECAL STRIP)
38	TF4852	2	FLANGE KIT - #20
41	33984	2	PIN,SHIELD,50"
42	33773	1	LINK 2, SHIELD 50" RTRY (OPTIONAL)
43	33772	1	LINK, SHIELD 50" RTRY (OPTIONAL)
44	21988	13	LOCKWASHER, 3/8"
45	21635	2	CAPSCREW, 3/8" x 2, NC
46	RD1032	2	LYNCH PIN
47	33785	1	1-1/2" X 8", CYLINDER, WELDED
48	06500156	1	HOSE 1/4" X 143"
49	06500157	1	HOSE 1/4" X 154"

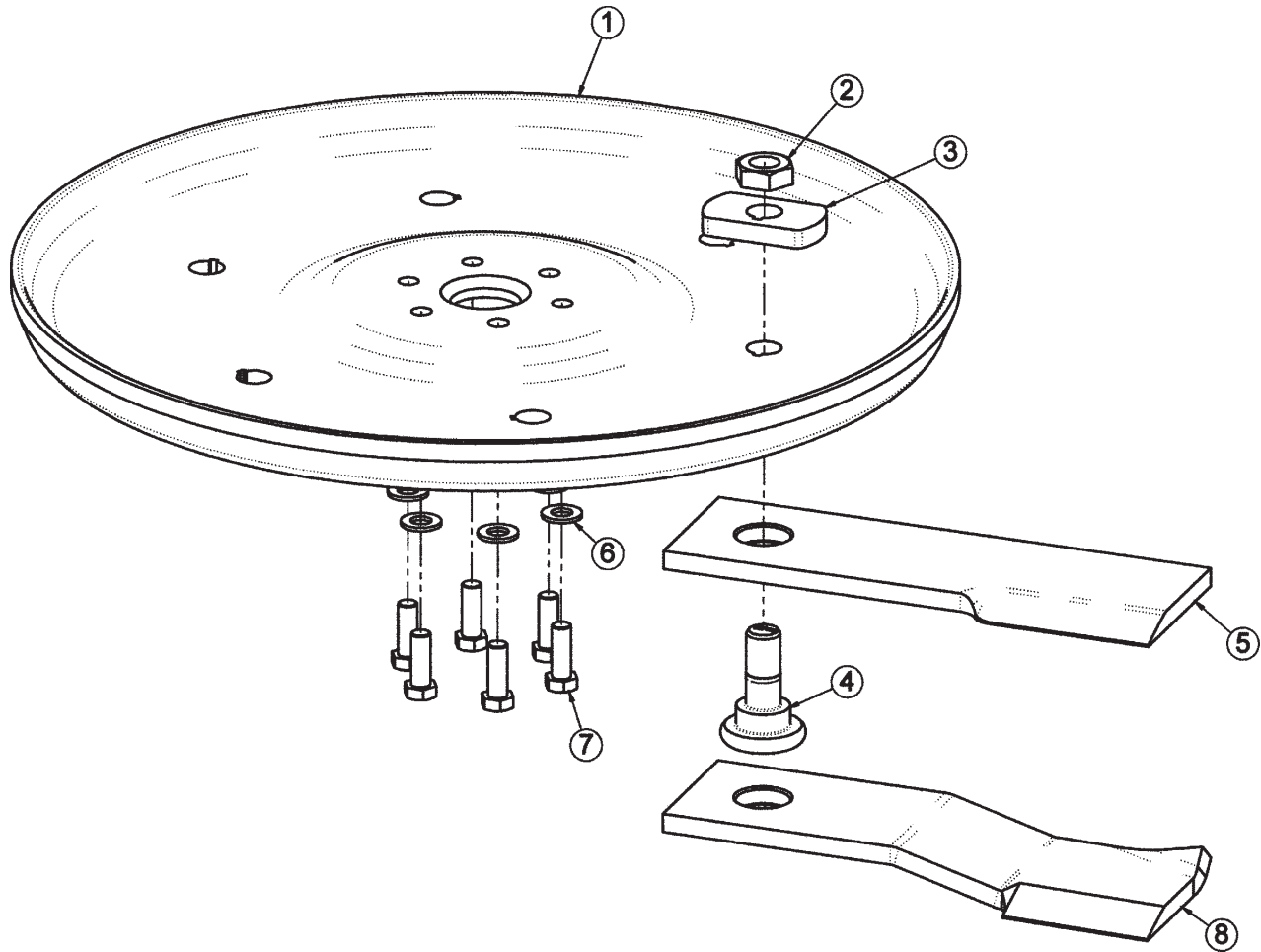
60" ROTARY MOWER ASSEMBLY



60" ROTARY MOWER ASSEMBLY

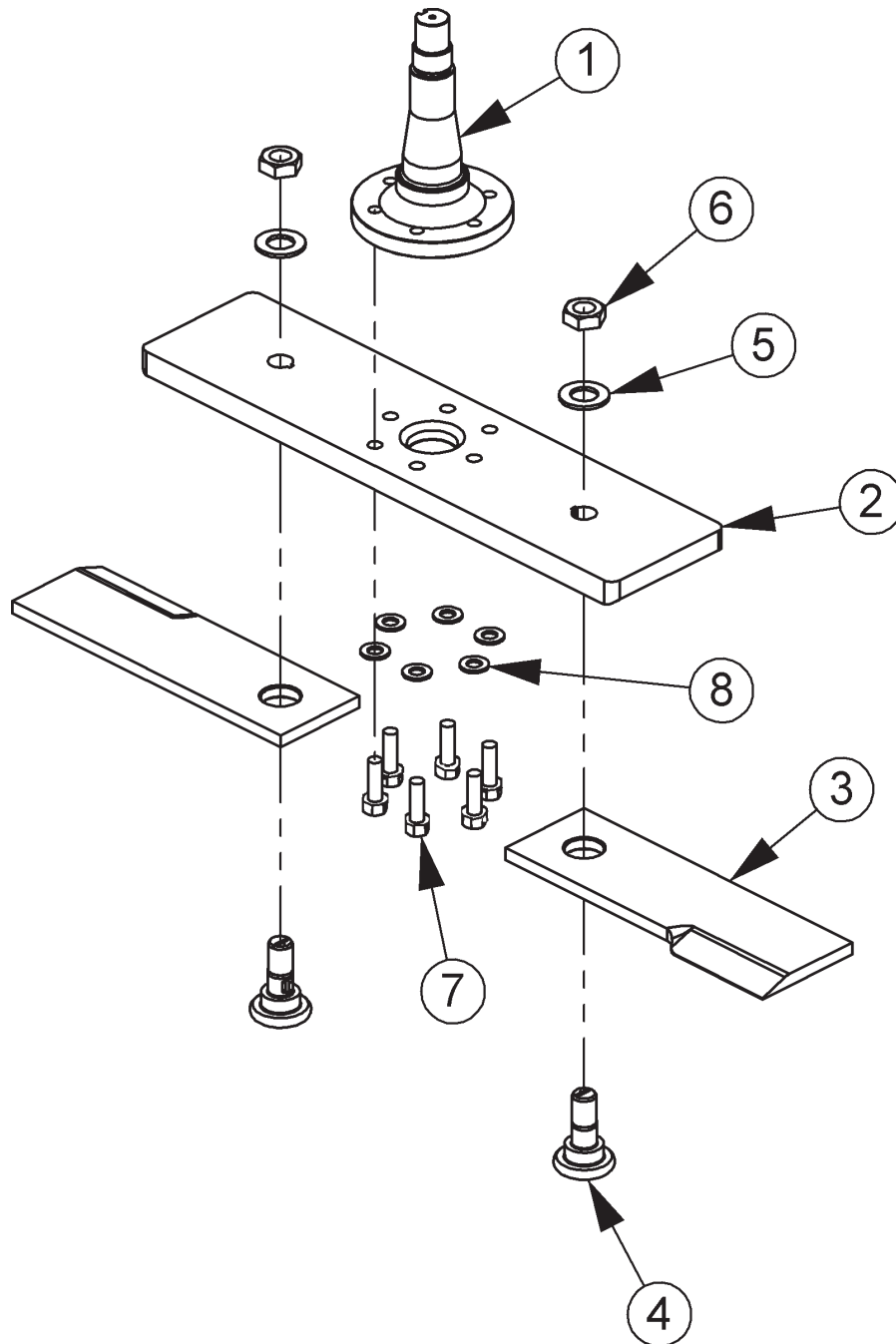
ITEM	PART NO.	QTY.	DESCRIPTION
1	06320159	1	DECK,WLDMNT,RTRY60
2	33777	2	SKID SHOE,RTRY
3	06320162	1	SHIELD,RTRY60
4	33879	6	CAPSCREW,3/4 x 2-1/4,NF,GR8
5	33880	6	FLATWASHER,3/4,GR8,SAE
6	21993	6	LOCKWASHER,3/4,GR8
7	6T2413	6	HEX NUT,3/4,NF,GR8
8	6T1024H5	1	SPINDLE ASSY,CPLT
9	6T2270	16	PLOW BOLT,3/8 x 1,NC
10	22016	33	FLATWASHER,3/8
11	21625	20	HEX NUT,3/8,NC
12	21988	11	LOCKWASHER,3/8
13	21633	11	CAPSCREW,3/8 x 1-3/4,NC
14	6T0823	1	FLAP,RETAINER,RTRY60
15	06520238	2	FLAP,RTRY60
16	6T1033	1	COVER,COUPLER
17	6T1029	1	CHAIN,COUPLER
18	21223	1	SPROCKET
19	21733	4	CAPSCREW,1/2 x 2,NC
20	33776	1	PLATE,MOTOR MOUNT
21	24490	1	HOSE,PRESSURE (RED DECAL STRIP)
22	TF4852	2	FLANGE KIT,#20
23	06504011	1	MOTOR
24	24489	1	HOSE,RETURN (BLUE DECAL STRIP)
25	21725	4	HEX NUT,1/2,NC
26	06533004	4	FLATWASHER,1/2,GR8,SAE
27	6T2290	4	CAPSCREW,5/8 x 2,NF,GR8
28	33764	8	FLATWASHER,5/8,GR8,SAE
29	21992	4	LOCKWASHER,5/8
30	6T2408	4	HEX NUT,5/8,NF
31	TF1124	1	KEY,SQUARE
32	33881	4	CAPSCREW,FLG,3/8 x 3/4,NC
33	33779	2	PLATE,COVER,KNF HOLE
34	06410439	1	COVER
35	22014	2	FLATWASHER,1/4
36	21530	2	CAPSCREW,1/4 x 1,NC
37	34187	1	HOSE,1/4 x 75
38	34186	1	HOSE,1/4 x 66
39	RD1032	2	LYNCH PIN
40	33984	2	PIN,SHIELD
41	33785	1	CYLINDER,1-1/2 x 8
42	6T3017	2	ROLLPIN
43	06420139	1	HINGE PIN,RTRY60
44	33772	1	LINK,SHIELD (OPTIONAL)
45	31634	2	CAPSCREW,3/8 x 2,NC
46	33773	1	LINK 2,SHIELD (OPTIONAL)
47	06401245	2	SKID SHOE,RTRY60

50" ROTARY KNIVES AND DISK



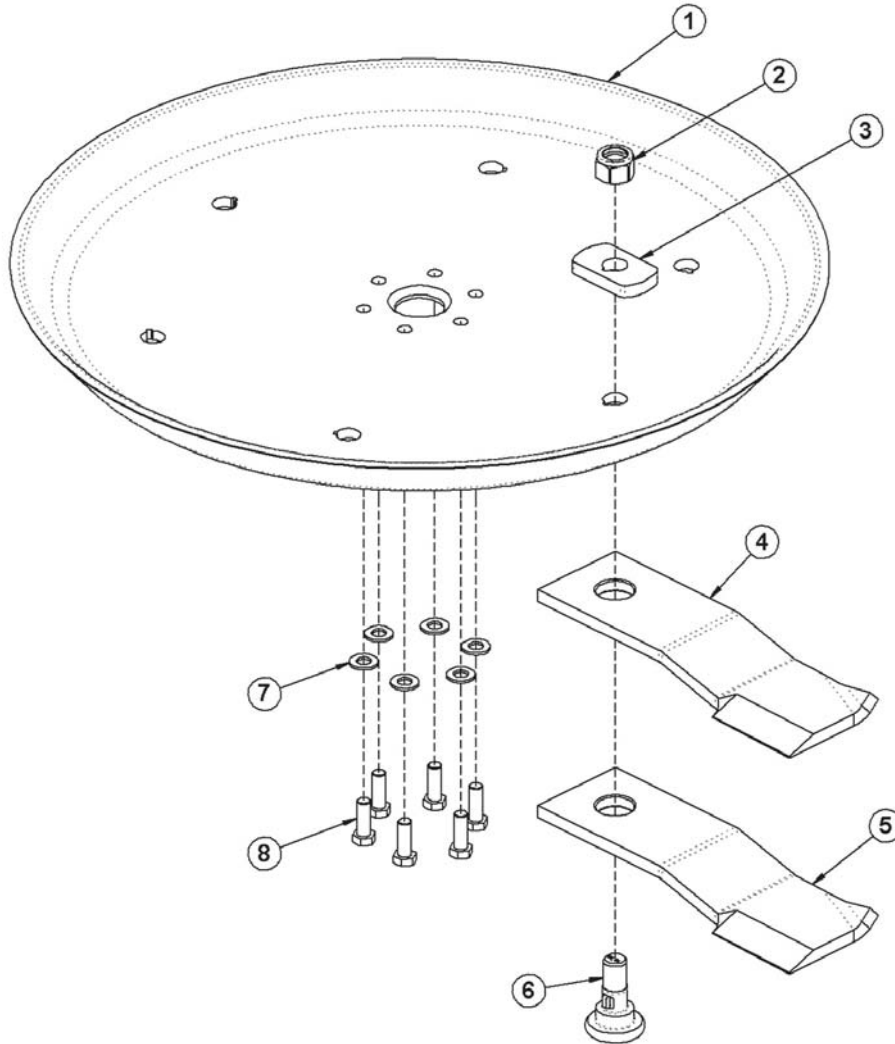
ITEM	PART NO.	QTY.	DESCRIPTION
1	06770003	1	BLADE MOUNTING DISK
2	6T1023R	2	NYLOCK HEX NUT 1 1/8"
3	34878	2	SPACER
4	06538000	2	KNIFE MOUNTING BOLT
5	06521001	2	STANDARD KNIFE
6	33764	6	FLATWASHER
7	6T2259	6	CAPSCREW
*	6T1825	1	LOCTITE - USED ON ALL DISK MOUNTING BOLTS
*	06770012	AVAIL	BOLT KIT (INCLUDE ITEMS 6, 7 & LOCTITE)
*	06700089	AVAIL	KIT, TRB50, DISK, W/BOLT KIT (INCLUDE ITEM 1, 3 & 7)
8	06521002	2	GRASS KNIFE - OPTIONAL

50" ROTARY BLADE BAR AND KNIVES



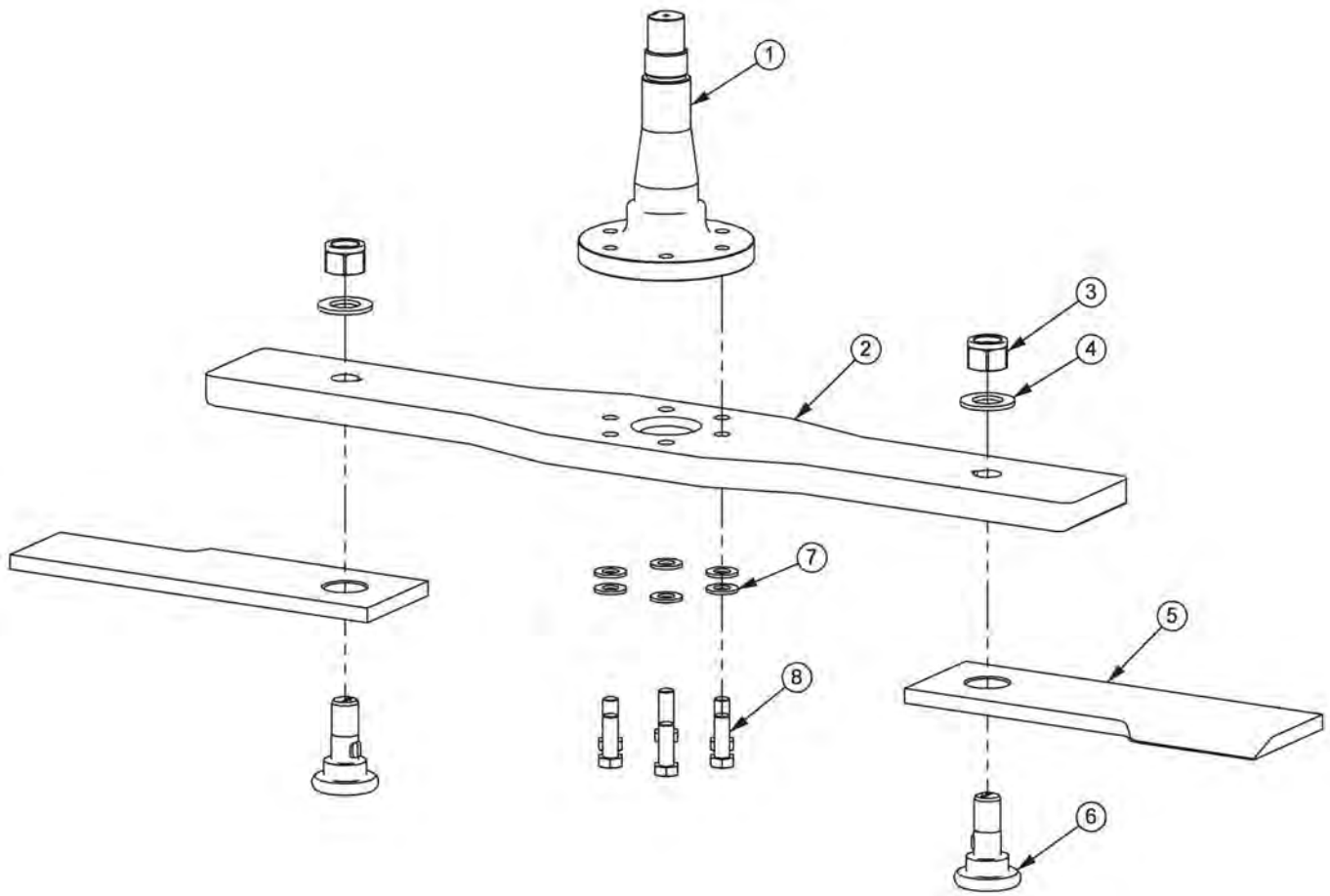
ITEM	PART NO.	QTY.	DESCRIPTION
1	PT1018H5	1	SPINDLE,5/8HOLES,HD,WO/TABS
2	06400388	1	BAR,BLADE,TRB
3	06521001	2	KNIFE,TRB50,5/8
4	06538000	2	KNIFE MTG BOLT,5/8 SHOULDER
5	06533002	2	FLATWASHER,1 1/8,GR 8
6	6T1023R	2	KNIFE MTG NUT,1 1/8,NF,GR8
7	6T2259	6	CAPSCREW,5/8x1-3/4,NF,GR8
8	33764	6	FLATWASHER,5/8,GR 8,SAE

60" ROTARY KNIVES AND DISK



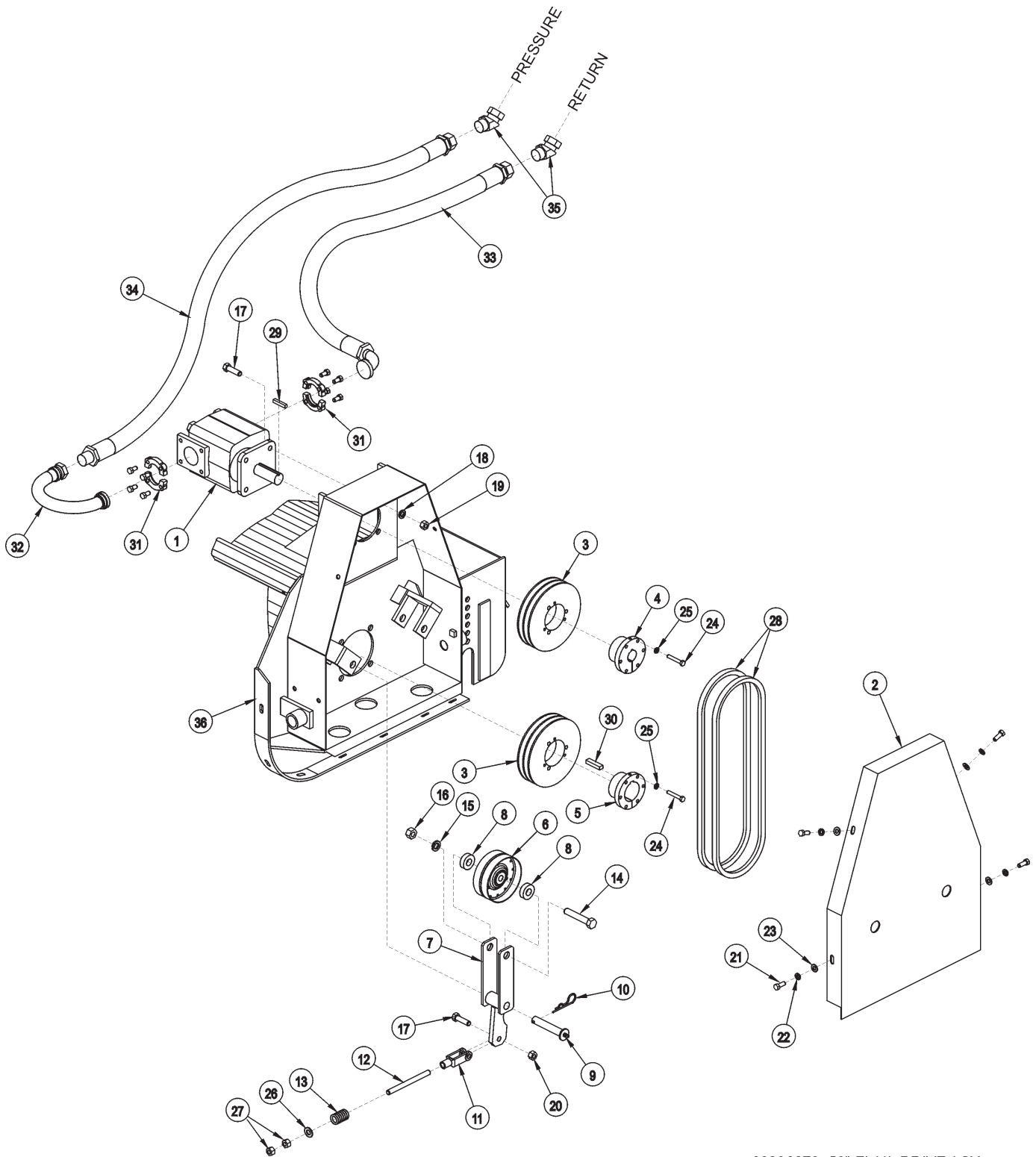
ITEM	PART NO.	QTY.	DESCRIPTION
1	34876	1	BLADE MOUNTING DISK
2	6T1023R	2	NYLOCK HEX NUT 1 1/8"
3	34878	2	SPACER
4	34684	2	STANDARD GRASS KNIFE
5	34685	2	HIGH SUCTION GRASS KNIFE
6	34497	2	KNIFE MOUNTING BOLT
7	25270	6	FLATWASHER,5/8,GR8,USS
8	6T2290	6	CAPSCREW,5/8 x 2,NF,GR8
*	6T1825	1	LOCTITE - USED ON ITEM 8
*	27167	AVAIL	BOLT KIT (INCLUDES ITEMS 7 & 8)
*	33893	AVAIL	KNIFE KIT (INCLUDES ITEM 2,4 & 6)

60" ROTARY BLADE BAR AND KNIVES



ITEM	PART NO.	QTY.	DESCRIPTION
1	PT1018H5	1	SPINDLE
2	06400690	1	BAR, BLADE, RTRY60
3	6T1023R	2	KNIFE MTG NUT, 1-1/8, NYLOCK, NF
4	06533002	2	FLATWASHER, 1-1/8, GR8
5	06521001	2	KNIFE, TRB50, 5/8
6	06538000	2	KNIFE MTG BOLT, 5/8 SHOULDER
7	33764	6	FLATWASHER, 5/8, GR 8, SAE
8	6T2259	6	CAPSCREW, 5/8 x 1-3/4, NF, GR8

50" BOOM FLAIL DRIVE ASSY

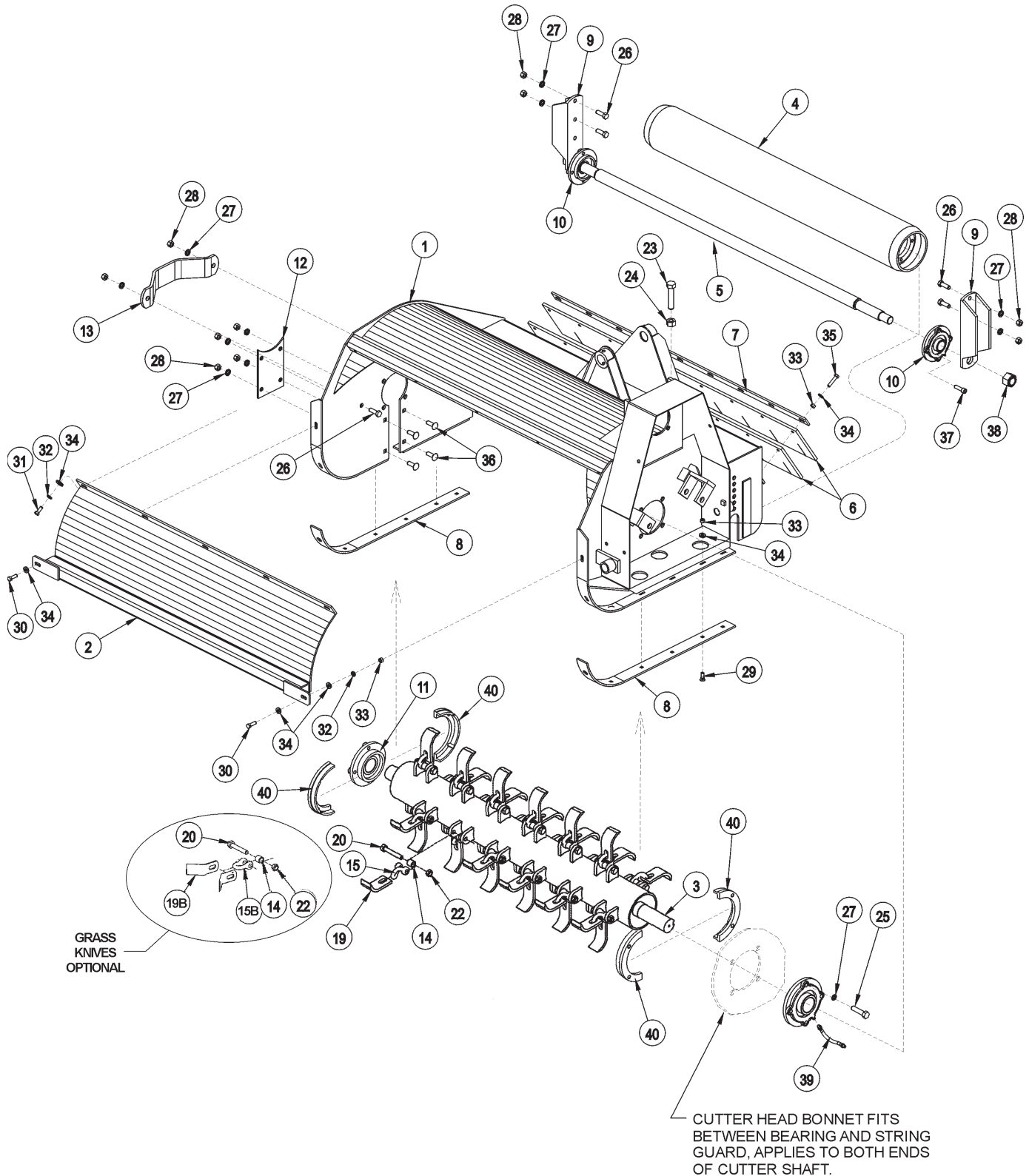


06200270 50" FLAIL DRIVE ASY

50" BOOM FLAIL DRIVE ASSY

ITEM	PART NO.	QTY.	DESCRIPTION
1	06504013	1	MOTOR(M350-1 3/4 GEAR)
2	TF3006	1	BELT GUARD
3	TF3043	2	SHEAVE
4	TF3013	1	BUSHING
5	TF3011	1	BUSHING
6	TF3034	1	IDLER PULLEY
7	TF3205	1	IDLER ARM
8	TF3206	2	IDLER PULLEY SPACER
9	TF3605	1	IDLER ARM PIN WITH ZERK
10	6T3004	1	R - CLIP
11	PT3611A	1	CLEVIS
12	32481	1	THREADED ROD
13	TF3620	1	COMPRESSION SPRING
14	21789	1	CAPSCREW 5/8" X 3 1/2"
15	21992	1	LOCKWASHER 5/8"
16	21775	1	HEX NUT 5/8"
17	21732	5	CAPSCREW 1/2" X 1 3/4"
18	21990	4	LOCKWASHER 1/2"
19	21725	4	HEX NUT 1/2"
20	6T2418	1	LOCK NUT 1/2"
21	21630	4	CAPSCREW 3/8" X 1"
22	21988	4	LOCKWASHER 3/8"
23	22016	4	FLATWASHER 3/8"
24	21584	6	CAPSCREW 5/16" X 2"
25	21987	6	LOCKWASHER 5/16"
26	22018	1	FLATWASHER 1/2"
27	21700	2	HEX NUT 1/2" NF
28	TF3021	2	BELT
29	06504028	1	SQUARE KEY
30	TF1025	1	SQUARE KEY, MOTOR
31	TF4852	2	FLANGE KIT
32	31124	1	PREFORMED TUBE
33	06500158	1	HOSE, 1" X 145" - RETURN
34	06500159	1	HOSE, 1" X 158" - PRESSURE
35	24724	2	SWIVEL FITTING
36	*	REF.	CUTTER HEAD - REFER TO CUTTER HEAD ASY

50" BOOM FLAIL CUTTER ASSY.

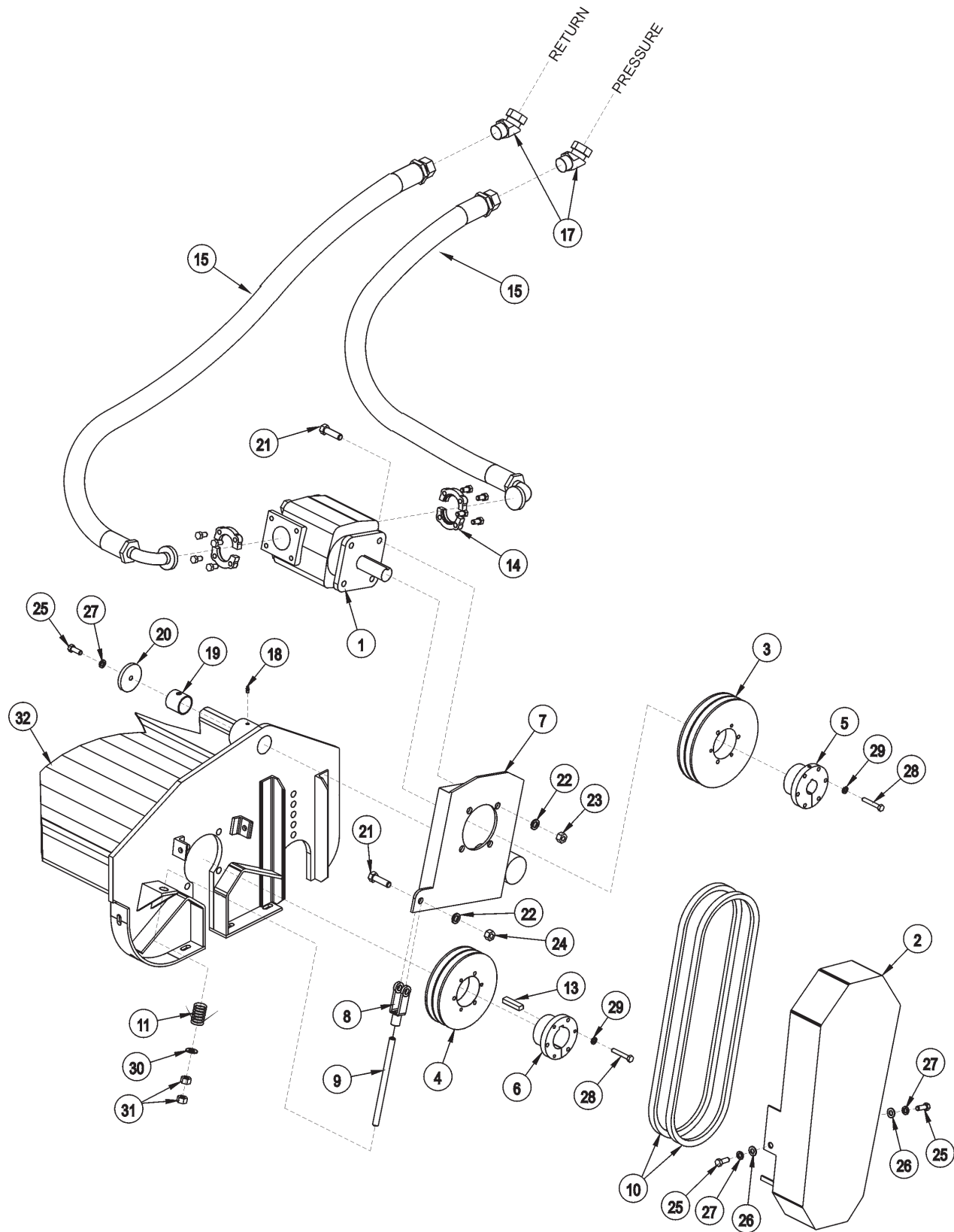


06200487 50" FLAIL CUTTER ASY

50" BOOM FLAIL CUTTER ASSY

ITEM	PART NO.	QTY.	DESCRIPTION
	34787	AVAIL	FLAIL, BOOM,50, BRUSH,CPLT ASSY
	34789	AVAIL	FLAIL, BOOM,50, GRASS,CMPLT ASSY
1	TF3003F	1	CUTTER HEAD BONNET
2	TF3004	1	FRONT SHIELD
3	34783	AVAIL	TBF50,BRUSH,KNIFE ASSY
3A	34784	AVAIL	TBF50,GRASS,KNIFE ASSY
4	TF3405	1	GROUND ROLLER
5	TF3406	1	GROUND ROLLER TIE ROD
6	TB1006A	2	DEFLECTOR FLAP
7	TB1008	1	FLAP RETAINING BAR
8	TF3001	2	SKID SHOE
9	TF3407	2	GROUND ROLLER ADJUSTMENT BRACKET
10	TF1022	2	FLANGE BEARING 1 3/8"
11	TF1018	2	FLANGE BEARING 2 3/16"
12	TF3007A	1	COVER PLATE
13	TF1040	1	CUTTER SHAFT GUARD
14	41725.01	24	BUSHING,1ODX5/8ID
15	34782	24	CLEVIS,BRUSH
15B	34781		CLEVIS,GRASS
19	34780	24	BRUSH KNIFE STANDARD
19B	33714		HD KNIFE - OPTIONAL
20	34786	24	KNIFE MOUNTING BOLT
22	6T2419	24	HEX NUT 9/16"
23	21838	1	CAPSCREW 3/4" X 3 1/2"
24	21825	1	HEX NUT 5/8"
25	21732	8	CAPSCREW 1/2" X 1 3/4"
26	21731	6	CAPSCREW 1/2" X 1 1/2"
27	21990	18	LOCKWASHER 1/2"
28	21725	10	HEX NUT 1/2"
29	6T2270	12	PLOWBOLT 3/8" X 1"
30	21631	2	CAPSCREW 3/8" X 1 1/4"
31	21630	5	CAPSCREW 3/8" X 1"
32	21988	7	LOCKWASHER 3/8"
33	21625	23	HEX NUT 3/8"
34	22016	30	FLATWASHER 3/8"
35	21633	9	CAPSCREW 3/8" X 1 3/4"
36	6T7031D	4	PLOW BOLT 1/2" X 1 1/2"
37	6T2330	8	CAPSCREW 7/16" X 1 1/2" SOCKET HEAD
38	6T1023R	2	NYLOCK NUT 1 1/8" NF
39	TF1032	1	FLANGE BEARING GREASE HOSE
40	31204	2 SETS	STRING GUARD SET (2 PIECES PER SET)

63" BOOM FLAIL DRIVE ASSY



06200271 63" FLAIL DRIVE ASY

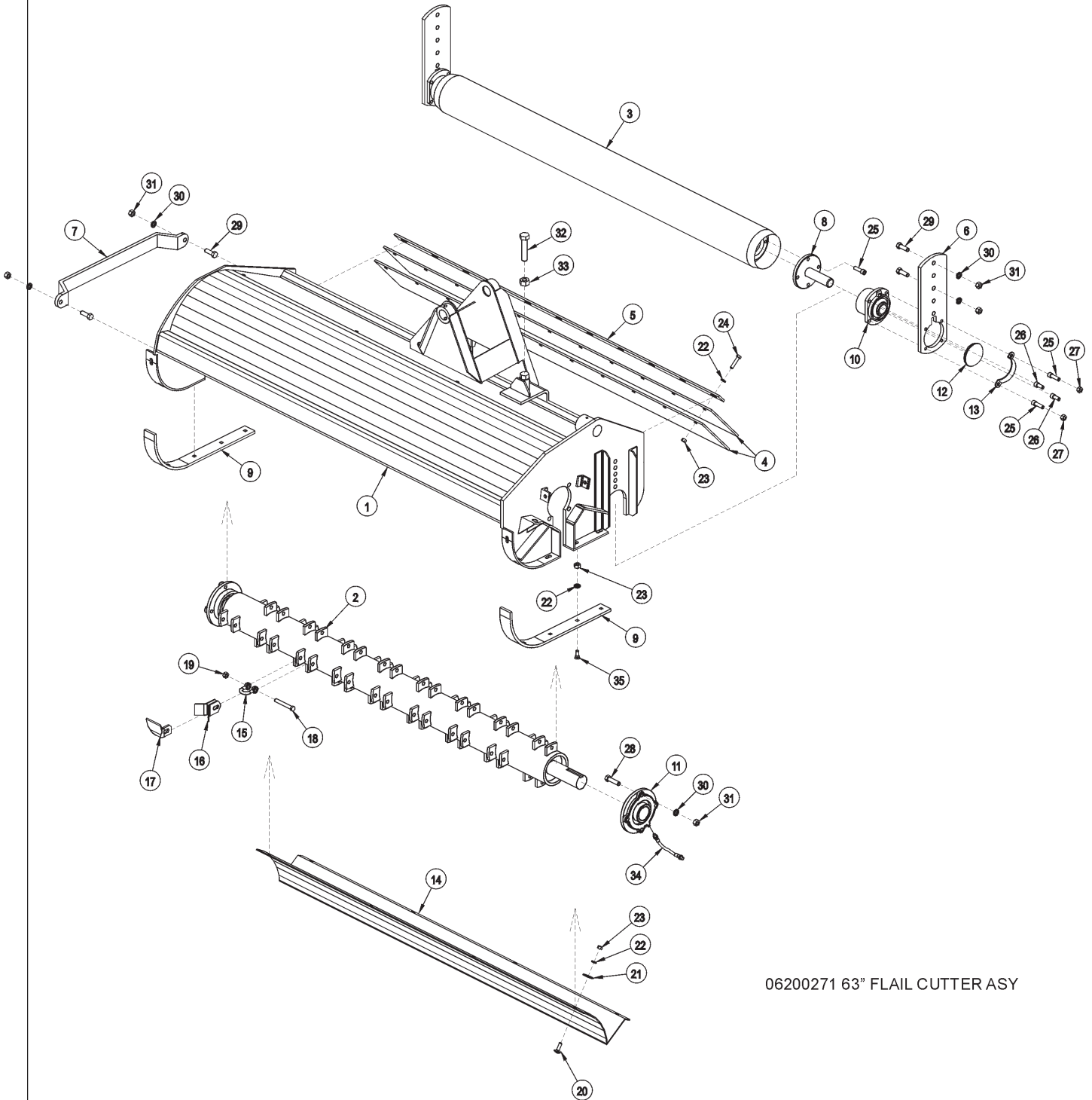
05-25-05

Bengal Brute Common Section 6 - 28

63" BOOM FLAIL DRIVE ASSY

ITEM	PART NO.	QTY.	DESCRIPTION
1	06504013	1	MOTOR(M350-1 3/4 GEAR)
2	28703B	1	BELT GUARD
3	TF3044	1	UPPER SHEAVE
4	TF3040	1	LOWER SHEAVE
5	TF3013	1	BUSHING
6	28723	1	BUSHING
7	28679B	1	MOTOR CHANNEL
8	PT3611A	1	CLEVIS
9	40496	1	THREADED ROD
10	28702	2	BELT
11	TF3620A	1	TENSIONER SPRING
13	26142A	1	SQUARE KEY
14	TF4852	2	FLANGE KIT
15	06500159	2	HOSE, 1 X 158 - PRESSURE/RETURN
17	24724	2	SWIVEL FITTING
18	TF1033	1	GREASE ZERK
19	27580	1	BUSHING
20	28682	1	MOTOR CHANNEL WASHER
21	21732	5	CAPSCREW 1/2" X 1 3/4"
22	21990	5	LOCKWASHER 1/2"
23	21725	4	HEX NUT 1/2"
24	21727	1	NYLOCK NUT 1/2"
25	21630	3	CAPSCREW 3/8" X 1"
26	22016	2	FLATWASHER 3/8"
27	21988	3	LOCKWASHER 3/8"
28	21584	6	CAPSCREW 5/16" X 2"
29	21987	6	LOCKWASHER 5/16"
30	27938	1	FLATWASHER 1/2"
31	21700	2	HEX NUT 1/2" NF
32	*	REF.	CUTTER HEAD - REFER TO CUTTER HEAD ASY

63" BOOM FLAIL CUTTER ASSY

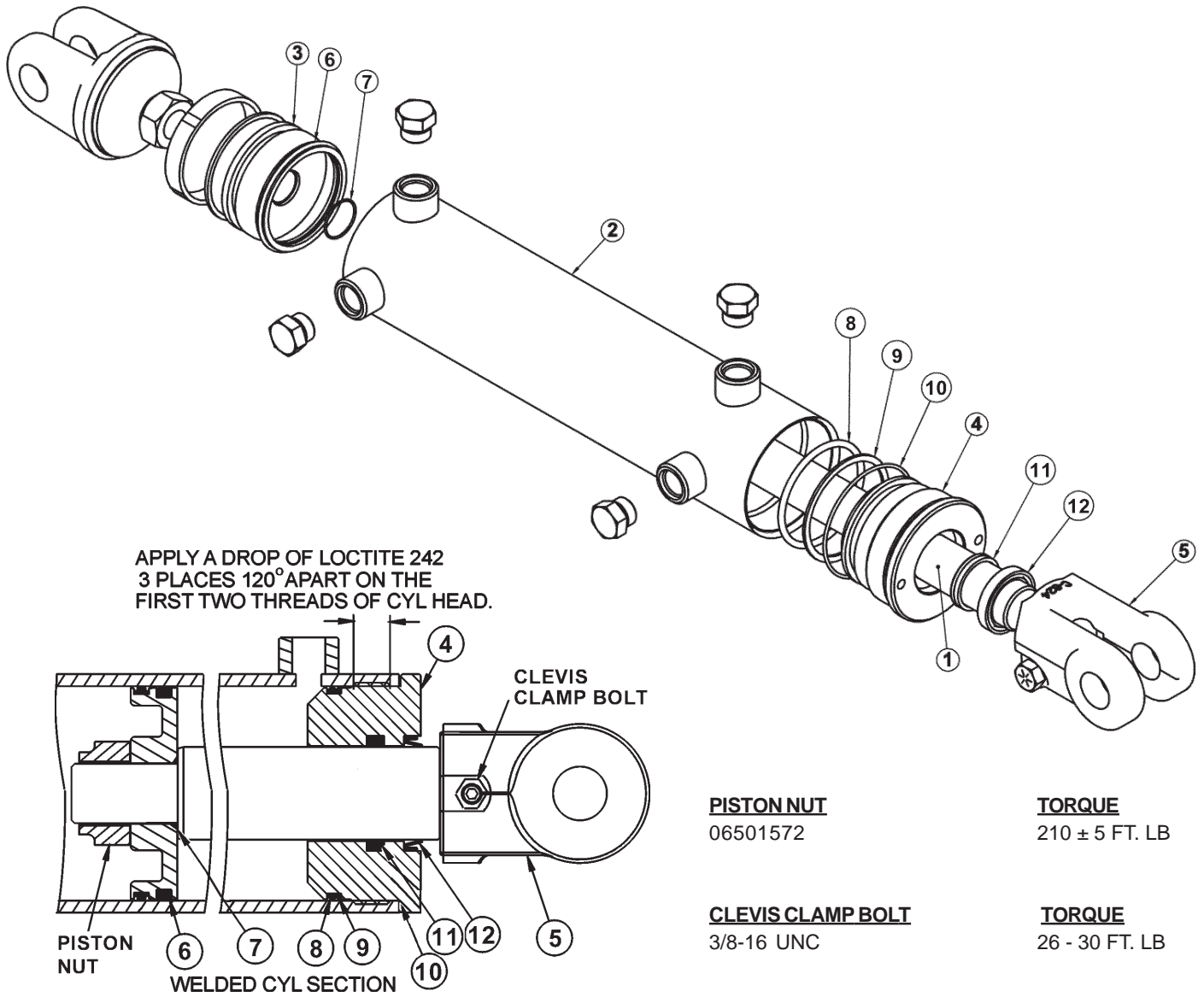


06200271 63" FLAIL CUTTER ASSY

63" BOOM FLAIL CUTTER ASSY

ITEM	PART NO.	QTY.	DESCRIPTION
1	28659H	1	CUTTER HEAD BONNET
2	28743	1	CUTTER SHAFT / KNIFE ASY STANDARD GRASS
2A	28744	1	CUTTER SHAFT / KNIFE ASY SMOOTH CUT
3	28650A	1	GROUND ROLLER
4	28701	2	DEFLECTOR FLAP
5	28700	1	FLAP RETAINING BAR
6	28735	2	ADJUSTABLE ROLLER BRACKET
7	27975A	1	CUTTER SHAFT GUARD
8	TF1045B	2	GROUND ROLLER STUB SHAFT
9	28086A	2	SKID SHOE
10	06520028	2	FLANGE BEARING
11	28683	2	FLANGE BEARING
12	06520027	2	DUST CAP
14	28665A	1	BAFFLE - INSIDE UPPER REAR OF CUTTER HEAD
15	34428	36	FLAIL KNIFE MOUNTING CLEVIS
16	33713	72	FLAIL KNIFE - STANDARD
17	28184A	36	FLAIL KNIFE - SMOOTH CUT (OPTIONAL)
18	TF1021B	36	FLAIL KNIFE MOUNTING BOLT
19	21677	36	NYLOCK NUT
20	6T2283	8	CARRIAGE BOLT 3/8" X 1"
21	6T2615	8	FENDER WASHER 3/8"
22	21988	29	LOCKWASHER 3/8"
23	21625	11	HEX NUT 3/8"
24	21633	11	CAPSCREW 3/8" X 1 3/4"
25	6T2330	12	CAPSCREW 7/16" X 1 1/2" SOCKET HEAD
26	6T2331	4	CAPSCREW 7/16" X 1" SOCKET HEAD
27	24701	4	HEX NUT 7/16"
28	21733	8	CAPSCREW 1/2" X 2"
29	21731	6	CAPSCREW 1/2" X 1 1/2"
30	21990	14	LOCKWASHER 1/2"
31	21725	14	HEX NUT 1/2"
32	21838	1	CAPSCREW 3/4" X 3 1/2"
33	21825	1	HEX NUT 3/4"
34	TF1032	1	FLANGE BEARING GREASE HOSE
35	6T2270	10	PLOW BOLT 3/8" X 1"

3" x 10" WELDED CYLINDER PARTS (06501021)



APPLY A DROP OF LOCTITE 242
3 PLACES 120° APART ON THE
FIRST TWO THREADS OF CYL HEAD.

PISTON NUT
06501572

TORQUE
210 ± 5 FT. LB

CLEVIS CLAMP BOLT
3/8-16 UNC

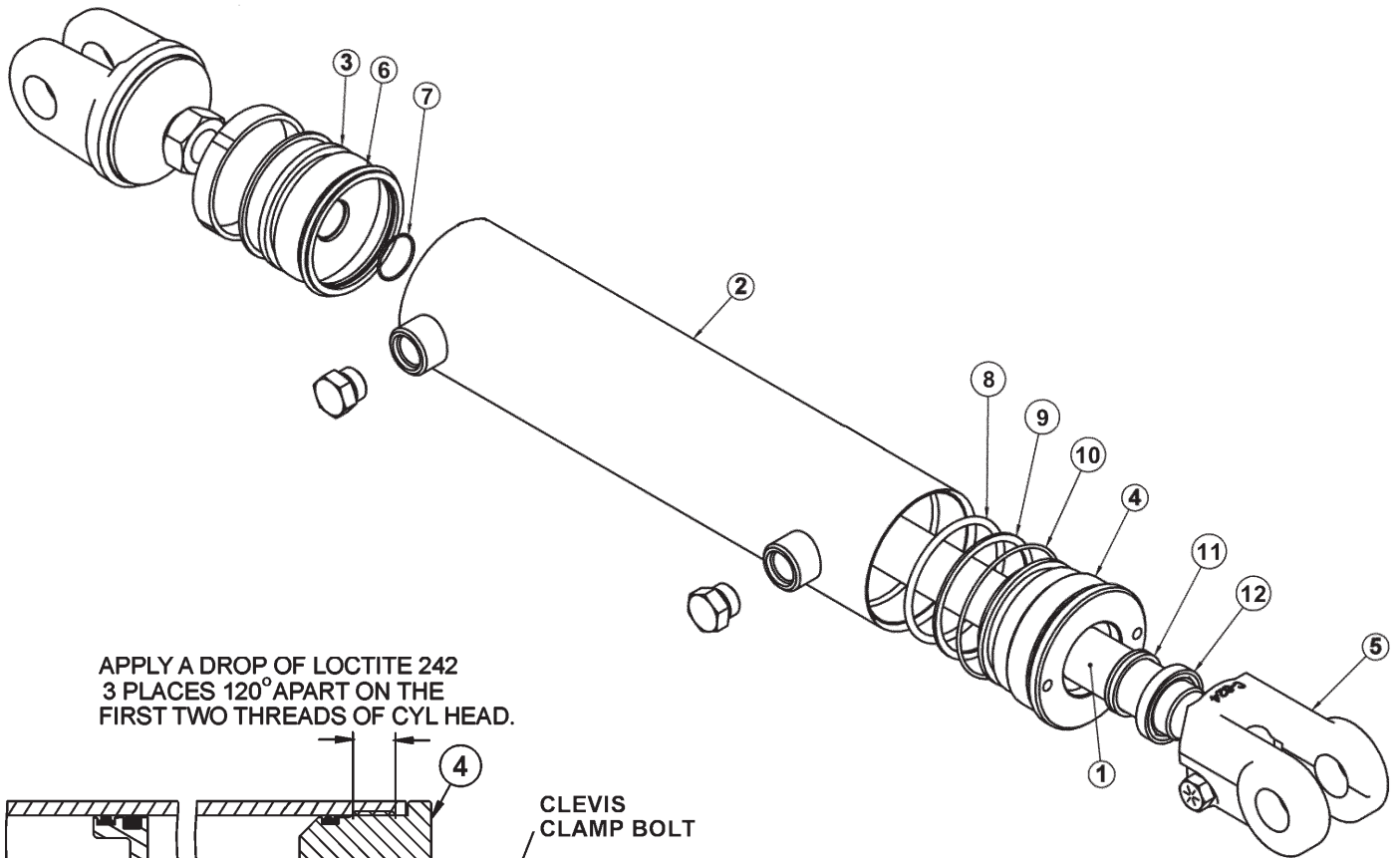
TORQUE
26 - 30 FT. LB

WARNING - MECHANICAL FASTENERS MUST BE TORQUED TO RECOMMENDED SPECIFICATIONS DURING REPAIR TO PREVENT PERSONAL INJURY OR EQUIPMENT DAMAGE.

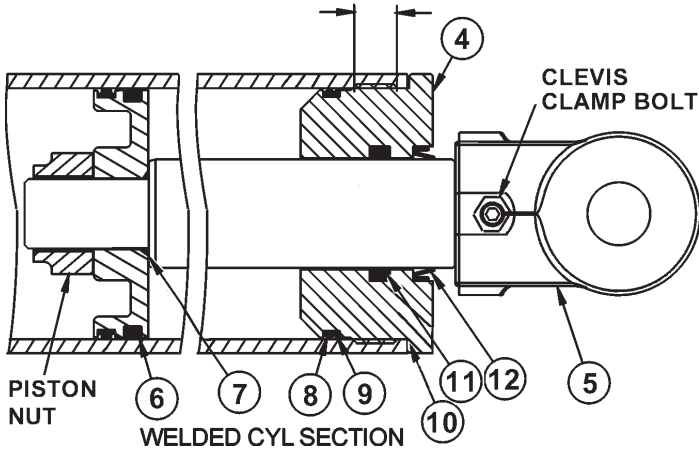
ITEM	PART NO.	QTY.	DESCRIPTION
*	06501021	AVAIL	HYDRAULIC CYLINDER COMPLETE
1	06501550	1	ROD
2	06501551	1	TUBE WELDMENT
3	06501552	1	PISTON
4	06501553	1	CYLINDER HEAD
5	06501554	1	CLEVIS
	06501555	AVAIL	SEAL REPAIR KIT (ITEM 6 THROUGH ITEM 12)

NOTE - ALL SEALS AND WEAR RINGS MUST BE PURCHASED IN COMPLETE SEAL REPAIR KIT.

3" x 18" WELDED CYLINDER PARTS (06501023)



APPLY A DROP OF LOCTITE 242
3 PLACES 120° APART ON THE
FIRST TWO THREADS OF CYL HEAD.



PISTON NUT
06501572

TORQUE
210 ± 5 FT. LB

CLEVIS CLAMP BOLT
3/8-16 UNC

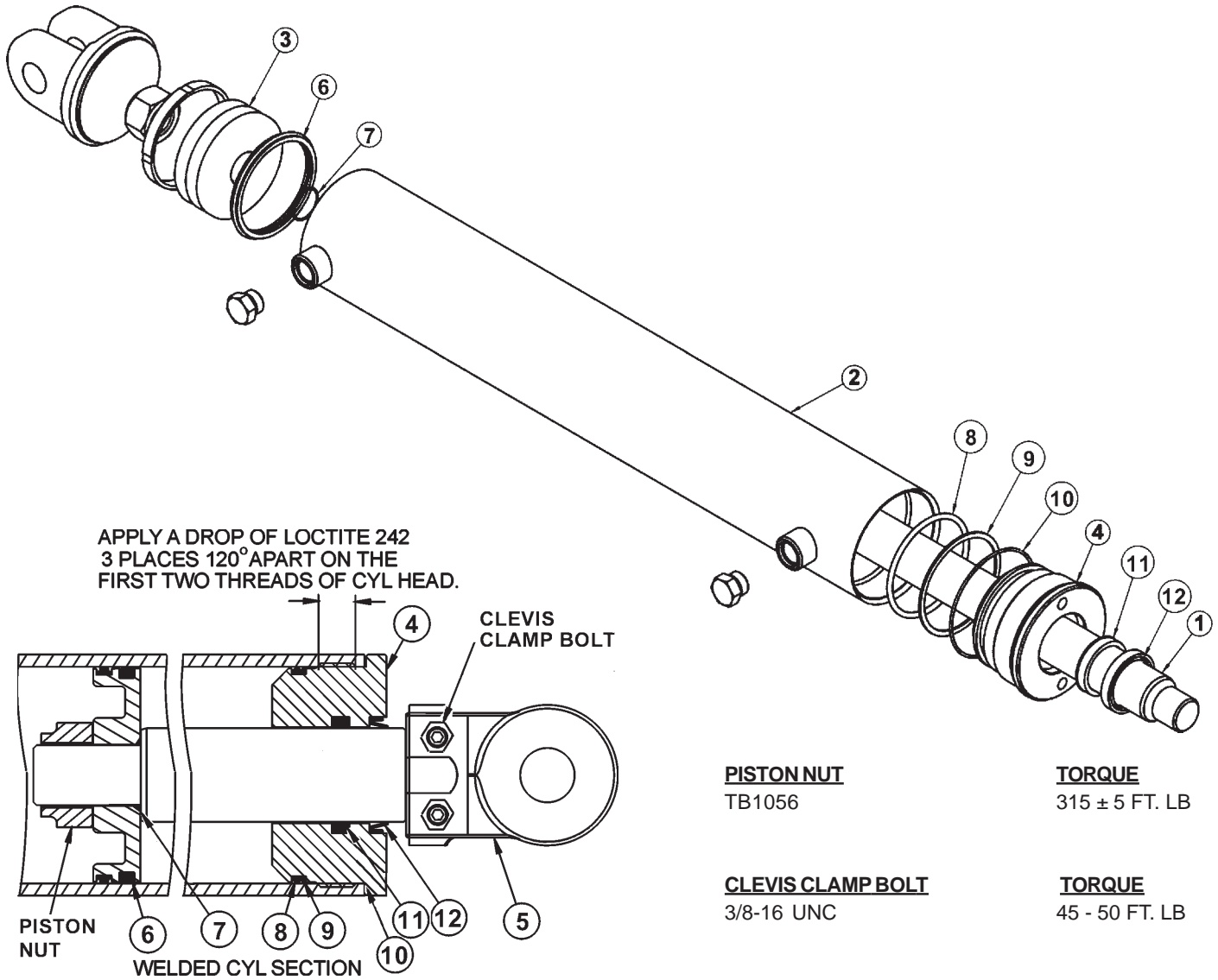
TORQUE
26 - 30 FT. LB

WARNING - MECHANICAL FASTENERS MUST BE TORQUED TO RECOMMENDED SPECIFICATIONS DURING REPAIR TO PREVENT PERSONAL INJURY OR EQUIPMENT DAMAGE.

ITEM	PART NO.	QTY.	DESCRIPTION
*	06501023	AVAIL	HYDRAULIC CYLINDER COMPLETE
1	06501561	1	ROD
2	06501562	1	TUBE WELDMENT
3	06501552	1	PISTON
4	06501563	1	CYLINDER HEAD
5	06501555	1	CLEVIS
	06501564	AVAIL	SEAL REPAIR KIT (ITEM 6 THROUGH ITEM 12)

NOTE - ALL SEALS AND WEAR RINGS MUST BE PURCHASED IN COMPLETE SEAL REPAIR KIT.

3-1/2" x 20" WELDED CYLINDER PARTS (06501024)



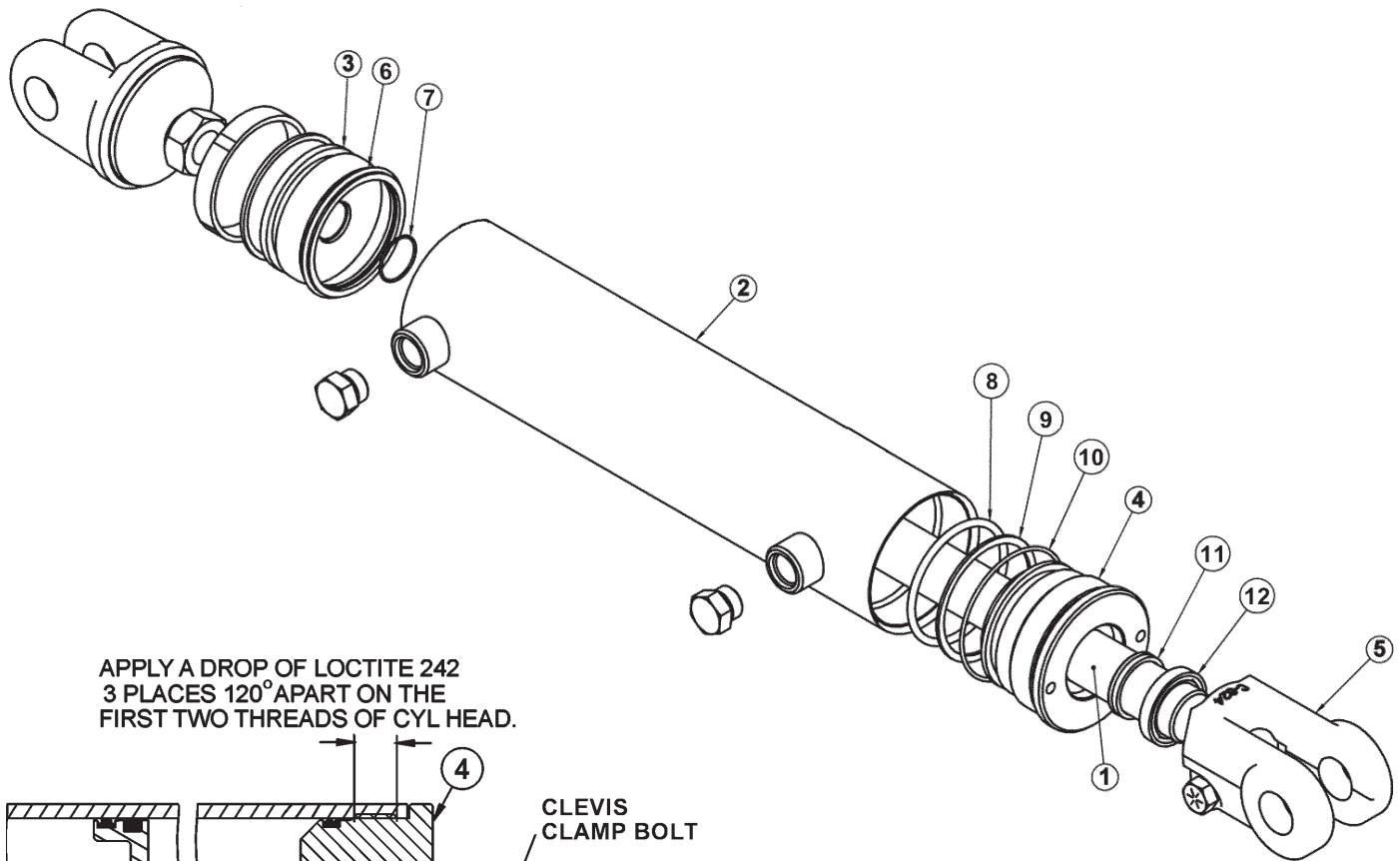
WARNING - MECHANICAL FASTENERS MUST BE TORQUED TO RECOMMENDED SPECIFICATIONS DURING REPAIR TO PREVENT PERSONAL INJURY OR EQUIPMENT DAMAGE.

ITEM	PART NO.	QTY.	DESCRIPTION
*	06501024	AVAIL	HYDRAULIC CYLINDER COMPLETE
1	06501565	1	ROD
2	06501566	1	TUBE WELDMENT
3	06501567	1	PISTON
4	06501568	1	CYLINDER HEAD
5	TB3033	AVAIL	CLEVIS
	06501569	AVAIL	SEAL REPAIR KIT (ITEM 6 THROUGH ITEM 12)

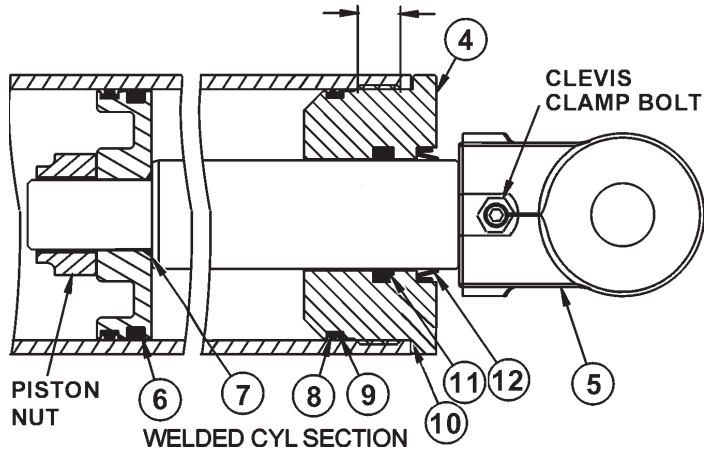
NOTE - ALL SEALS AND WEAR RINGS MUST BE PURCHASED IN COMPLETE SEAL REPAIR KIT.

05-25-05

4" x 9" WELDED CYLINDER PARTS (06501019)



APPLY A DROP OF LOCTITE 242
3 PLACES 120° APART ON THE
FIRST TWO THREADS OF CYL HEAD.



PISTON NUT

06501570

TORQUE

375 ± 5 FT. LB

CLEVIS CLAMP BOLT

3/8-16 UNC

TORQUE

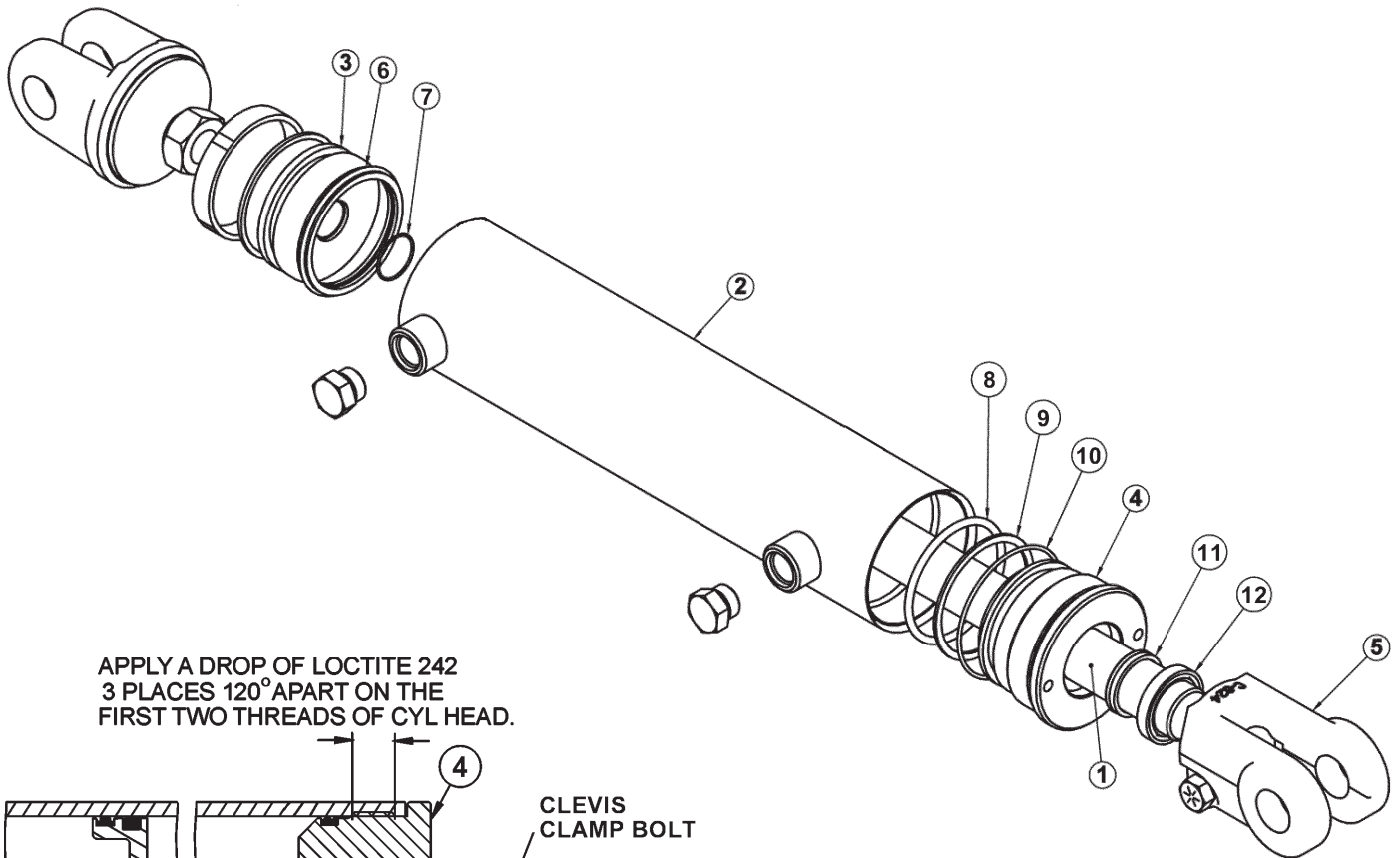
45 - 50 FT. LB

WARNING - MECHANICAL FASTENERS MUST BE TORQUED TO RECOMMENDED SPECIFICATIONS DURING REPAIR TO PREVENT PERSONAL INJURY OR EQUIPMENT DAMAGE.

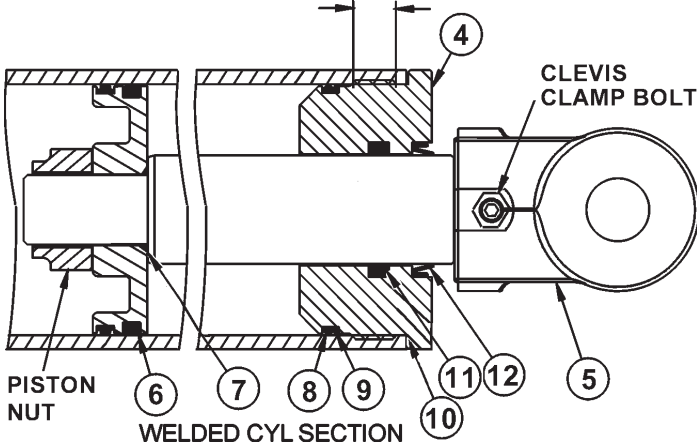
ITEM	PART NO.	QTY.	DESCRIPTION
*	06501019	AVAIL	HYDRAULIC CYLINDER COMPLETE
1	06501538	1	ROD
2	06501539	1	TUBE WELDMENT
3	06501540	1	PISTON
4	06501541	1	CYLINDER HEAD
5	06501542	1	CLEVIS
	06501543	AVAIL	SEAL REPAIR KIT (ITEM 6 THROUGH ITEM 12)

NOTE - ALL SEALS AND WEAR RINGS MUST BE PURCHASED IN COMPLETE SEAL REPAIR KIT.

4" x 20" WELDED CYLINDER PARTS (06501022)



APPLY A DROP OF LOCTITE 242
3 PLACES 120° APART ON THE
FIRST TWO THREADS OF CYL HEAD.



PISTON NUT

06501570

TORQUE

375 ± 5 FT. LB

CLEVIS CLAMP BOLT

3/8-16 UNC

TORQUE

45 - 50 FT. LB

WARNING - MECHANICAL FASTENERS MUST BE TORQUED TO RECOMMENDED SPECIFICATIONS DURING REPAIR TO PREVENT PERSONAL INJURY OR EQUIPMENT DAMAGE.

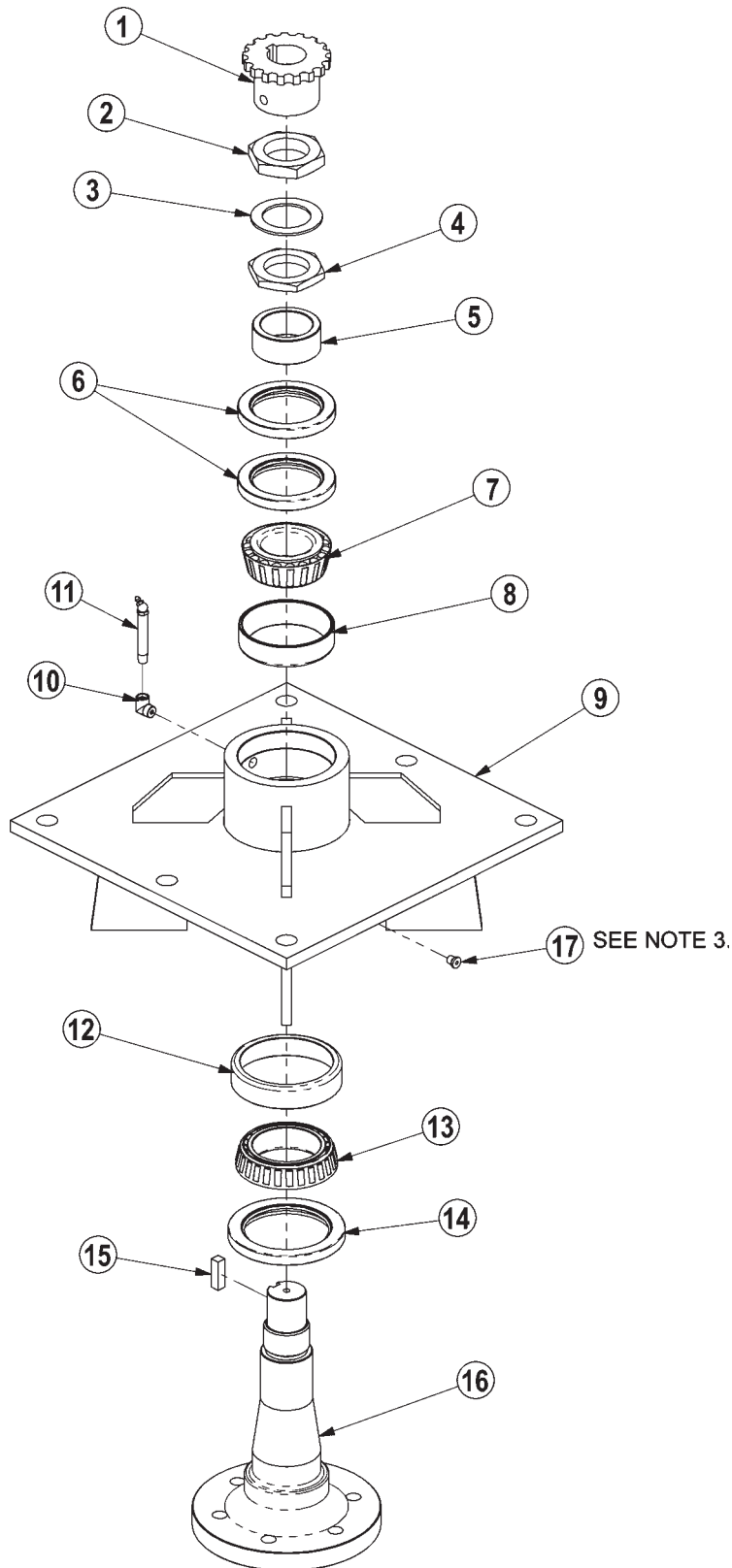
ITEM	PART NO.	QTY.	DESCRIPTION
*	06501019	AVAIL	HYDRAULIC CYLINDER COMPLETE
1	06501538	1	ROD
2	06501539	1	TUBE WELDMENT
3	06501540	1	PISTON
4	06501541	1	CYLINDER HEAD
5	06501542	1	CLEVIS
	06501543	AVAIL	SEAL REPAIR KIT (ITEM 6 THROUGH ITEM 12)

NOTE - ALL SEALS AND WEAR RINGS MUST BE PURCHASED IN COMPLETE SEAL REPAIR KIT.

NOTES

**PAGE
INTENSIONALLY
LEFT
BLANK**

ROTARY MOWER SPINDLE ASSY



NOTES:

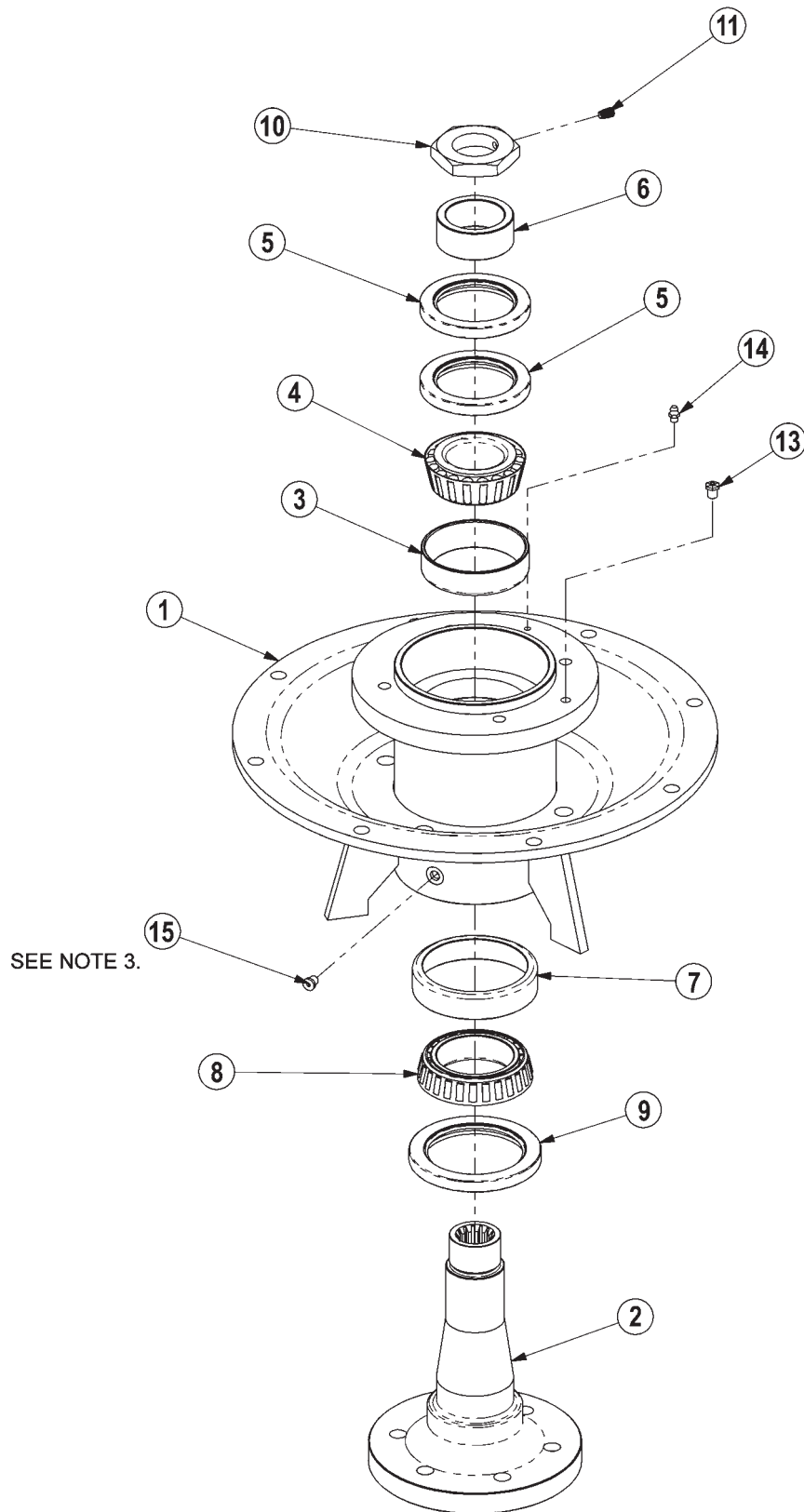
1. FREEPLAY: .001" - .003"
2. GREASE: FILL WITH MOBILITH SHC 220.
3. APPLY LOCTITE "271" TO O-RING PLUG THRS.

Bengal Brute Common Section 6 - 38

ROTARY MOWER SPINDLE ASSY

ITEM	PART NO.	QTY.	DESCRIPTION
	6T1024H5	AVAIL	SPINDLE ASSEMBLY COMPLETE
1	6T1031	1	SPROCKET
2	6T1016	1	BEARING LOCK NUT - THICK
3	22596	1	JAM WASHER
4	6T1015	1	BEARING ADJUSTMENT NUT - THIN
5	6T1014	1	BEARING ADJUSTMENT SLEEVE
6	6T1011	1	UPPER SEAL - SET OF 2
7	6T1012	1	BEARING CONE
8	6T1013	1	BEARING CUP
9	6T1010H	1	SPINDLE HOUSING
10	30570	1	FITTING STREET ELBOW
11	33990	1	GREASE ZERK
12	6T1013H	1	BEARING CUP
13	6T1012H	1	BEARING CONE
14	6T1011H	1	LOWER SEAL
15	6T1019	1	SPINDLE KEY
16	PT1018H-5	1	SPINDLE
17	06503064	1	O-RING PLUG, 1/8"
*	32572	AVAIL	SPINDLE REBUILD KIT (INCLUDE ITEMS 2 THRU 8 AND 12 THRU 15)

MOWER SPINDLE ASSEMBLY - 34980



NOTES:

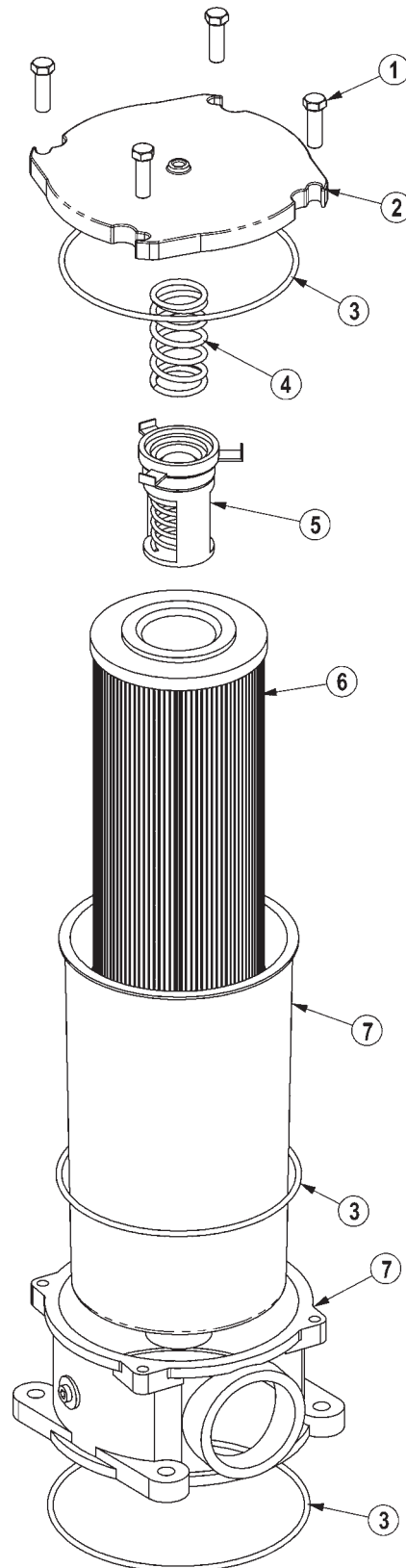
1. FREEPLAY: .001" - .003"
2. GREASE: FILL WITH MOBILITH SHC 220.
3. APPLY LOCTITE "271" TO O-RING PLUG THRDS.

Bengal Brute Common Section 6 - 40

MOWER SPINDLE ASSEMBLY - 34980

ITEM	PART NO.	QTY.	DESCRIPTION
1	34978	1	SPINDLE MOUNT
2	34979	1	SPINDLE, TM60", NEW
3	6T1013	1	BEARING CUP
4	6T1012	1	BEARING, CONE
5	6T1011	2	SEAL, UPPER (SET OF 2)
6	6T1014	1	SLEEVE, ADJ BEARING
7	6T1013H	1	BEARING CUP, HD
8	6T1012H	1	BEARING, CONE, HD
9	6T1011H	1	SEAL, LOWER (HD)
10	34985	1	NUT W/ SETSCREW
11	6T2275	1	SETSCREW, 5/16x1/2, NC
13	34988	1	RELIEF, 1PSI, 1/8NPT
14	6T3207	1	ZERK, 1/4" x STR
15	06503064	1	O-RING PLUG, 1/8"

RESERVOIR TANK FILTER ASSEMBLY

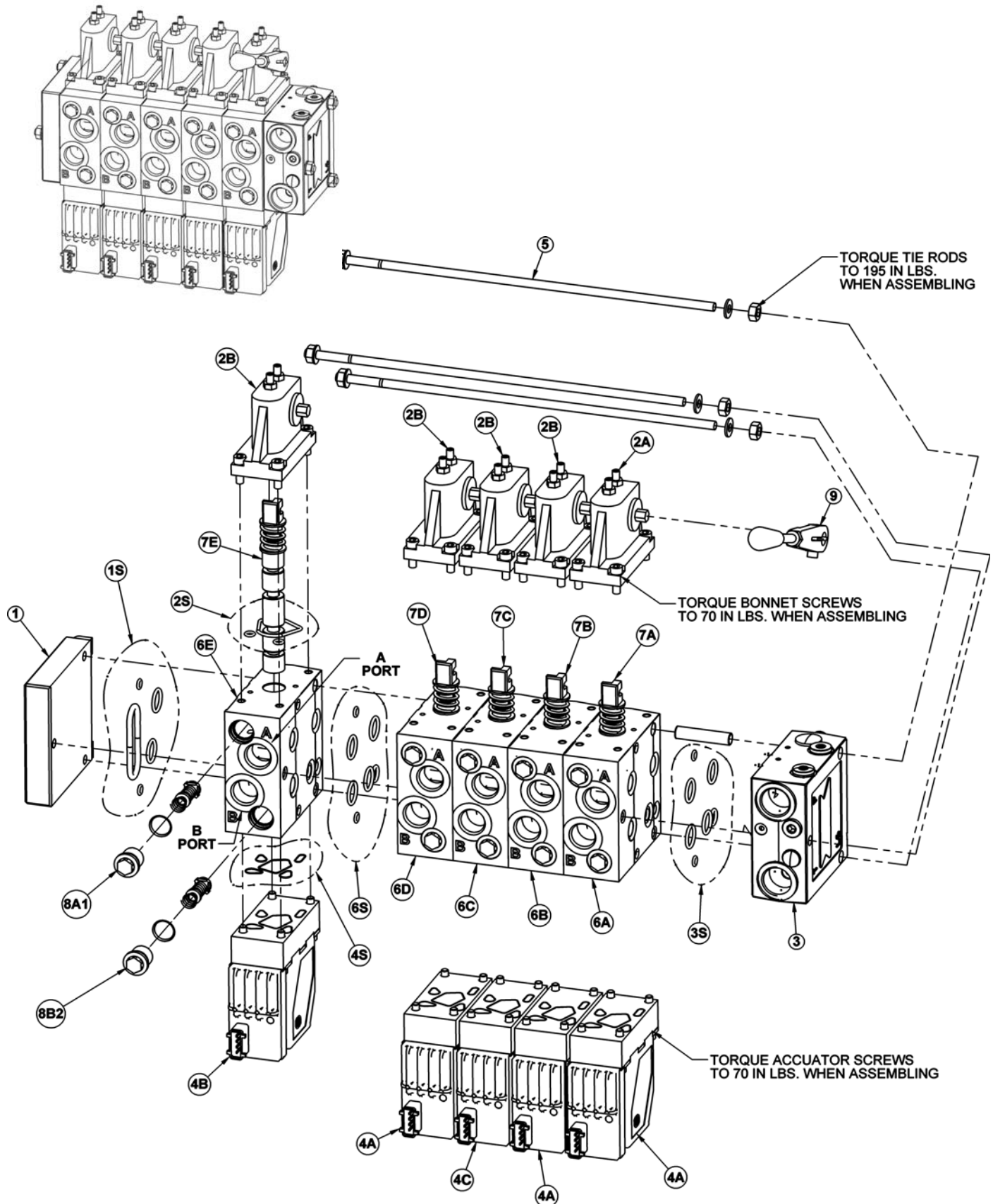


Bengal Brute Common Section 6 - 42

RESERVOIR TANK FILTER ASSEMBLY

ITEM	PART NO.	QTY.	DESCRIPTION
	06505044	AVAIL	FILTER ASSY SAE 10 MICRON
1	28583	4	CAPSCREW,8MMX25MM(1.25 PITCH)
2	06505045	1	COVER
3	06505046	1	SEAL KIT
4	06505047	1	SPRING
5	06505048	1	BYPASS
6	35259	1	FILTER,10 MIC,RETURN LINE
7	06505049	1	CAN/BODY

5 SPOOL DANFOSS VALVE



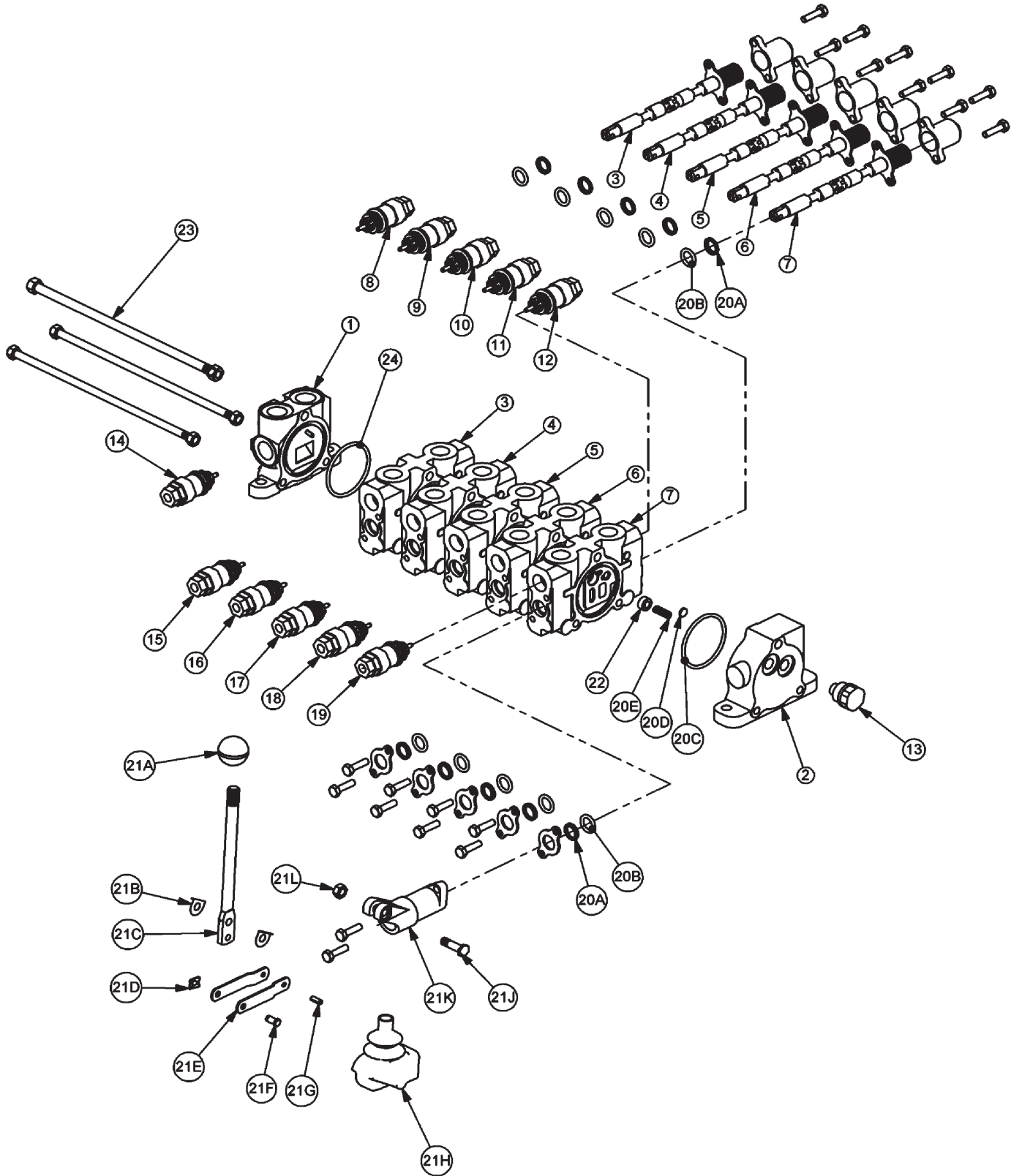
Bengal Brute Common Section 6 - 44

06-29-06

5 SPOOL DANFOSS VALVE

ITEM	PART NO.	QTY.	DESCRIPTION
AVAIL.	06502097	REF	VLV,5SP,32PVG,OPEN STOW, 3OS
1	06502074	1	END PLATE
1S	06505013	1	END PLATE SEAL KIT
2	*	5	BONNET
2S	06505042	1	BONNET SEAL KIT
2A	42197	1	MAIN BOOM BONNET
2B	42197	1	SECONDARY BOOM BONNET
2B	42197	1	DECK ROLL BONNET
2B	42197	1	BOOM SWIVEL BONNET
2B	42197	1	DECK SHIELD BONNET
3	34308	1	INLET SECTION
3S	06505013	1	INLET SECTION SEAL KIT
4	*	5	ELECTRONIC ACCUATOR
4A	06502101	1	MAIN BOOM ELECTRONIC ACCUATOR
4A	06502101	1	SECONDARY BOOM ELECTRONIC ACCUATOR
4C	06502100	1	DECK ROLL ELECTRONIC ACCUATOR
4A	06502101	1	BOOM SWIVEL ELECTRONIC ACCUATOR
4B	06502099	1	DECK SHIELD ELECTRONIC ACCUATOR
5	42202	1	TIE-BOLT KIT
6	*	5	SECTION
6S	06505013	1	SECTION SEAL KIT
6A	42698	1	MAIN BOOM SECTION
6B	42698	1	SEC BOOM SECTION
6C	06502076	1	DECK ROLL SECTION
6D	42698	1	BOOM SWIVEL SECTION
6E	06502077	1	SHIELD SECTION
7	*	5	SPOOL
7A	42697	1	MAIN BOOM SPOOL
7B	42697	1	SEC BOOM SPOOL
7C	4242106	1	DECK ROLL SPOOL
7D	06502073	1	BOOM SWIVEL SPOOL
7E	42201	1	DECK SHIELD SPOOL
8	*	10	ANTI CAV/SHOCK RELIEF
8A1	06502084	1	MAIN BOOM A PORT RELIEF
8A2	06502081	1	MAIN BOOM B PORT RELIEF
8B1	42296	1	SEC BOOM A PORT RELIEF
8B2	06502082	1	SEC BOOM B PORT RELIEF
8C1	42295	1	DECK ROLL A PORT RELIEF
8C2	06502082	1	DECK ROLL B PORT RELIEF
8D1	06502070	1	BOOM SWIVEL A PORT RELIEF
8D2	06502083	1	BOOM SWIVEL B PORT RELIEF
8E1	06502081	1	DECK SHIELD A PORT RELIEF
8E2	06502081	1	DECK SHIELD B PORT RELIEF
9	33459	1	HANDLE

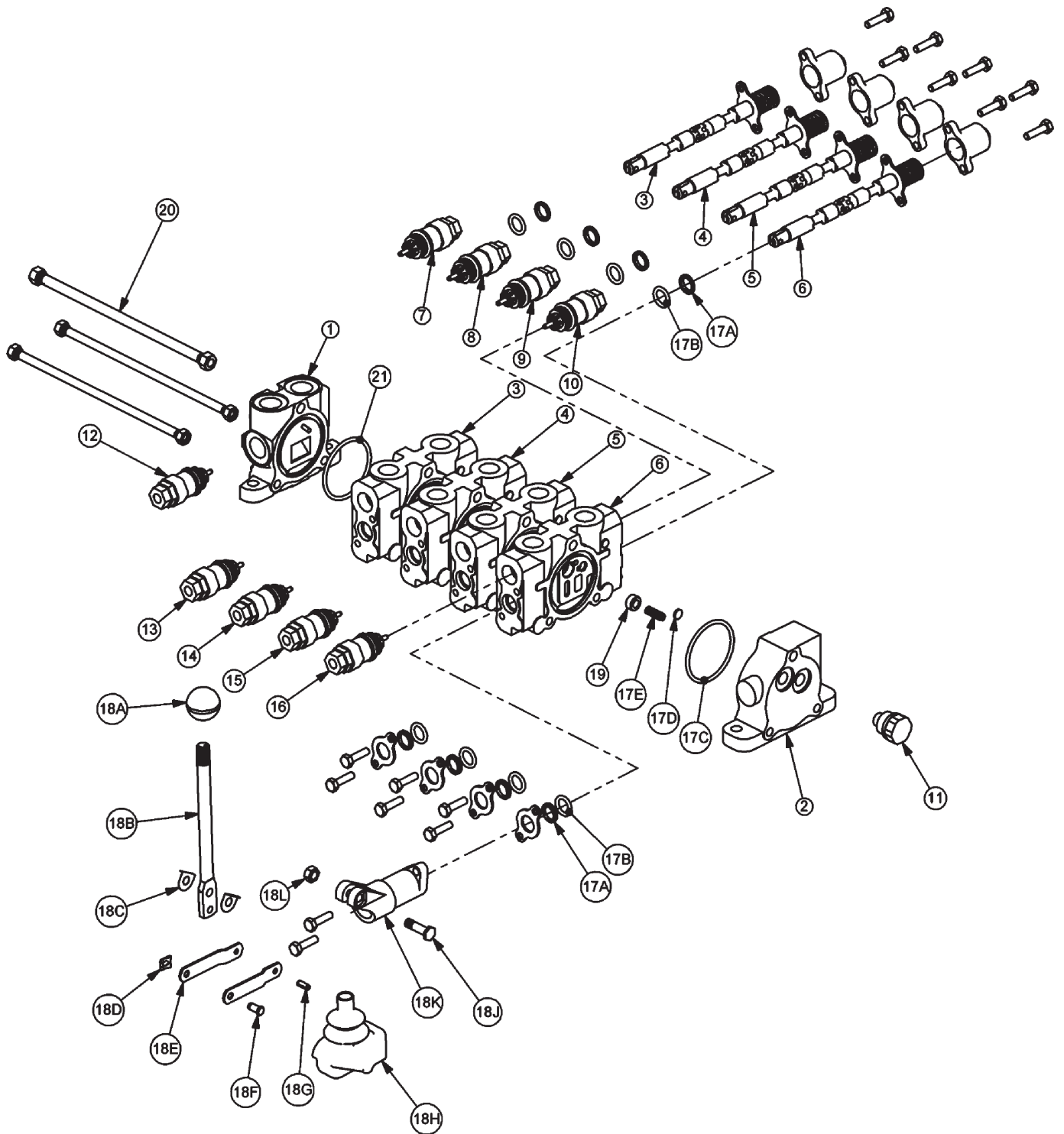
5SP HUSCO VALVE - LOAD SENSE (06502038)



5SP HUSCO VALVE - LOAD SENSE (06502038)

ITEM	PART NO.	QTY	DESCRIPTION
1	31595	1	INLET END COVER
2	31594	1	END COVER, LOAD SENSE
3	31597	1	VALVE SECTION (DOUBLE ACTING, CENTER SPRING)
4	31597	1	VALVE SECTION (DOUBLE ACTING, CENTER SPRING)
5	31597	1	VALVE SECTION (DOUBLE ACTING, CENTER SPRING)
6	31598	1	VALVE SECTION (DOUBLE ACTING, CENTER SPRING, METERED)
7	31597	1	VALVE SECTION (DOUBLE ACTING, CENTER SPRING) (REMOVE SHUTTLE DISC)
8	TF4212	1	RELIEF VALVE, 200 PSI
9	TB1017K	1	RELIEF VALVE, 2150 PSI
10	TB1017J	1	RELIEF VALVE, 1800 PSI
11	06502089	1	RELIEF VALVE, 2400 PSI
12	22580	1	RELIEF VALVE, 500 PSI
13	06503068	1	#8 O-RING PLUG
14	6T4209	1	#10 O-RING PLUG
15	06502085	1	RELIEF VALVE, 3000 PSI
16	TB1017F	1	RELIEF VALVE, 1500 PSI
17	TB1017F	1	RELIEF VALVE, 1500 PSI
18	06502120	1	RELIEF VALVE, 2100 PSI
19	22580	1	RELIEF VALVE, 500 PSI
20	31593	5	VALVE SEAL KIT (FOR ONE SECTION)
20A		2	WIPER
20B		2	O-RING SMALL
20C		1	O-RING LARGE
20D		1	SHUTTLE DISC
20E		1	SPRING
21	TB1017L	5	LEVER KIT (FOR ONE SECTION)
21A		1	LEVER KNOB
21B		1	LEVER
21C		2	LEVER WASHER
21D		1	LEVER CLIP
21E		2	LINKAGE
21F		1	LEVER PIN
21G		1	ROLL PIN
21H		1	LEVER BOOT
21J		1	LEVER BOLT
21K		1	LEVER DUST COVER
21L		1	LEVER NUT
22	31603	5	COMPENSATOR
23	TB1017V	1	TIE ROD KIT
24	24214	1	O-RING, LARGE

4SP HUSCO VALVE - LOAD SENSE (06502057)

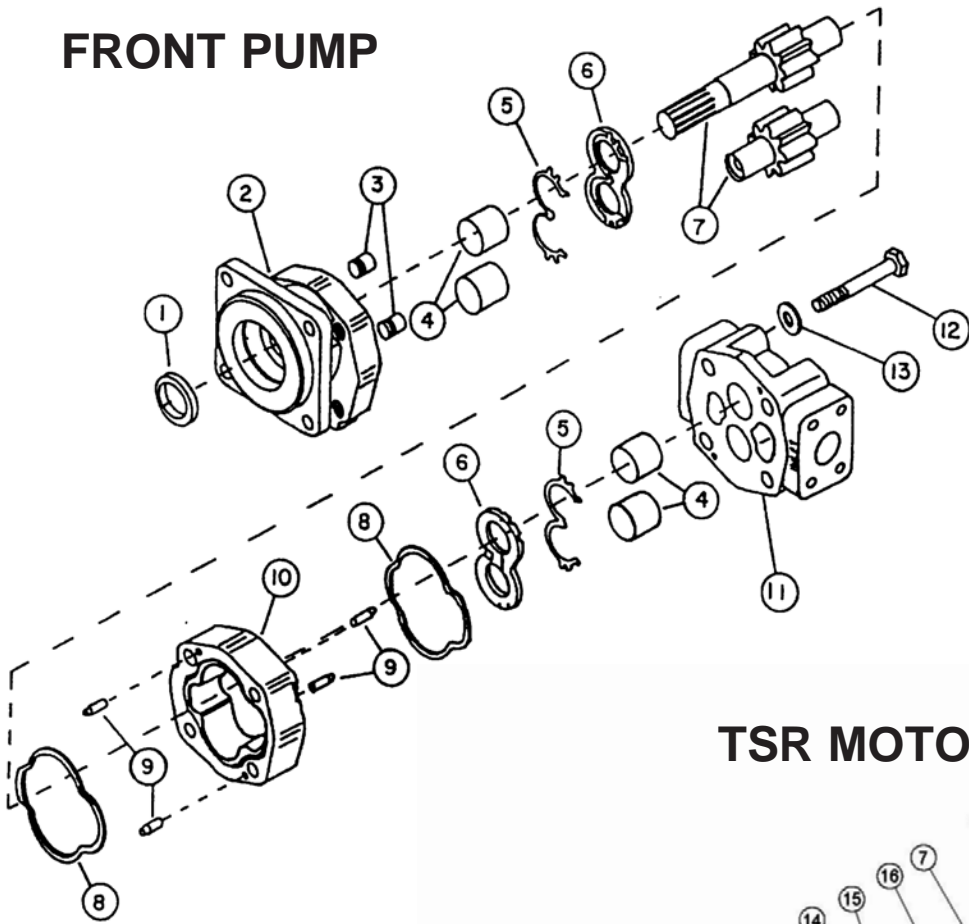


4SP HUSCO VALVE - LOAD SENSE (06502057)

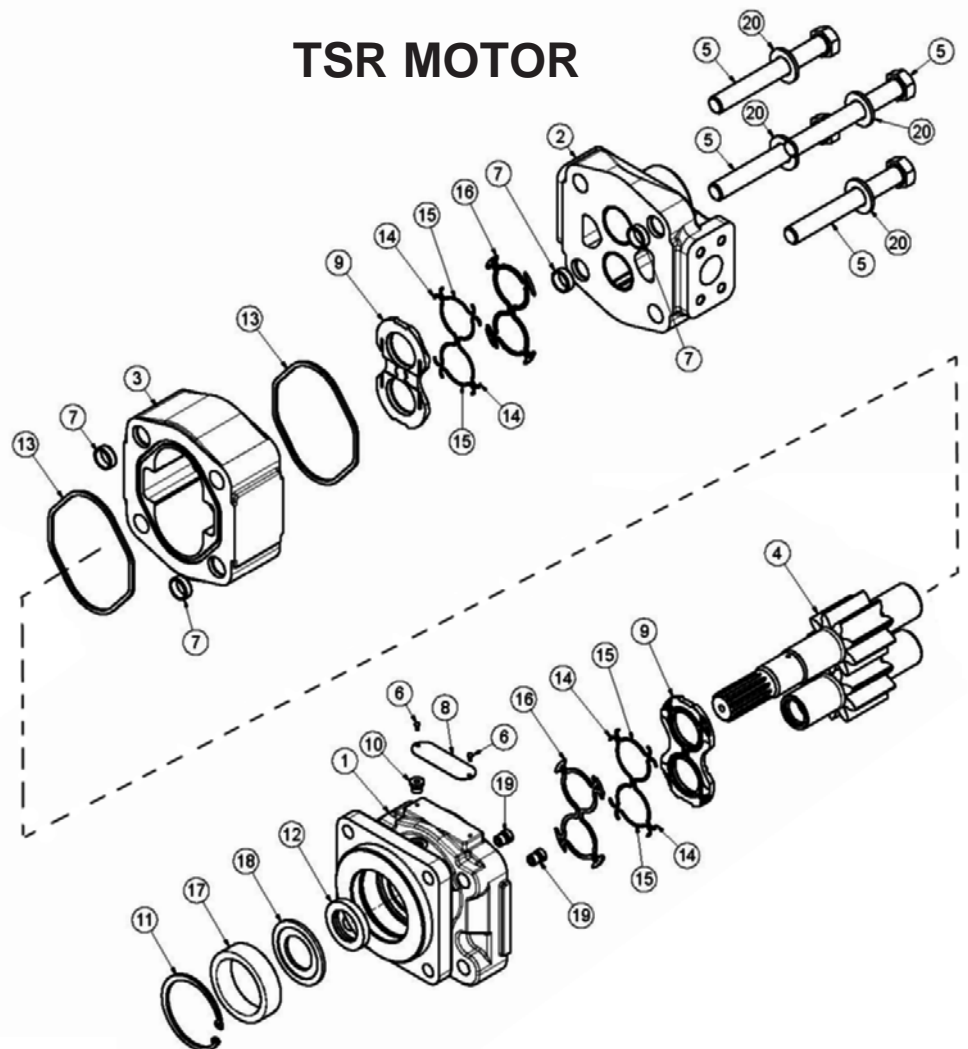
ITEM	PART NO.	QTY	DESCRIPTION
1	31595	1	INLET END COVER
2	31594	1	END COVER, LOAD SENSE
3	31597	1	VALVE SECTION (DOUBLE ACTING, CENTER SPRING)
4	31597	1	VALVE SECTION (DOUBLE ACTING, CENTER SPRING)
5	31600	1	VALVE SECTION (DOUBLE ACTING, DETENT - FLOAT)
6	31598	1	VALVE SECTION (DOUBLE ACTING, CENTER SPRING, METERED) (REMOVE SHUTTLE DISC)
7	TF4212	1	RELIEF VALVE, 200 PSI
8	TB1017K	1	RELIEF VALVE, 2150 PSI
9	TB1017J	1	RELIEF VALVE, 1800 PSI
10	06502089	1	RELIEF VALVE, 2400 PSI
11	06503068	1	#8 O-RING PLUG
12	6T4209	1	#10 O-RING PLUG
13	06502085	1	RELIEF VALVE, 3000 PSI
14	TB1017F	1	RELIEF VALVE, 1500 PSI
15	TB1017F	1	RELIEF VALVE, 1500 PSI
16	06502120	1	RELIEF VALVE, 2100 PSI
17	31593	4	VALVE SEAL KIT (FOR ONE SECTION)
17A		2	WIPER
17B		2	O-RING SMALL
17C		1	O-RING LARGE
17D		1	SHUTTLE DISC
17E		1	SPRING
18	TB1017L	4	LEVER KIT (FOR ONE SECTION)
18A		1	LEVER KNOB
18B		1	LEVER
18C		2	LEVER WASHER
18D		1	LEVER CLIP
18E		2	LINKAGE
18F		1	LEVER PIN
18G		1	ROLL PIN
18H		1	LEVER BOOT
18J		1	LEVER BOLT
18K		1	LEVER DUST COVER
18L		1	LEVER NUT
19	31603	4	COMPENSATOR
20	TB1017U	1	TIE ROD KIT
21	24214	1	O-RING, LARGE

HYDRO PUMP & TSR MOTOR

FRONT PUMP



TSR MOTOR



HYDRO PUMP & TSR MOTOR

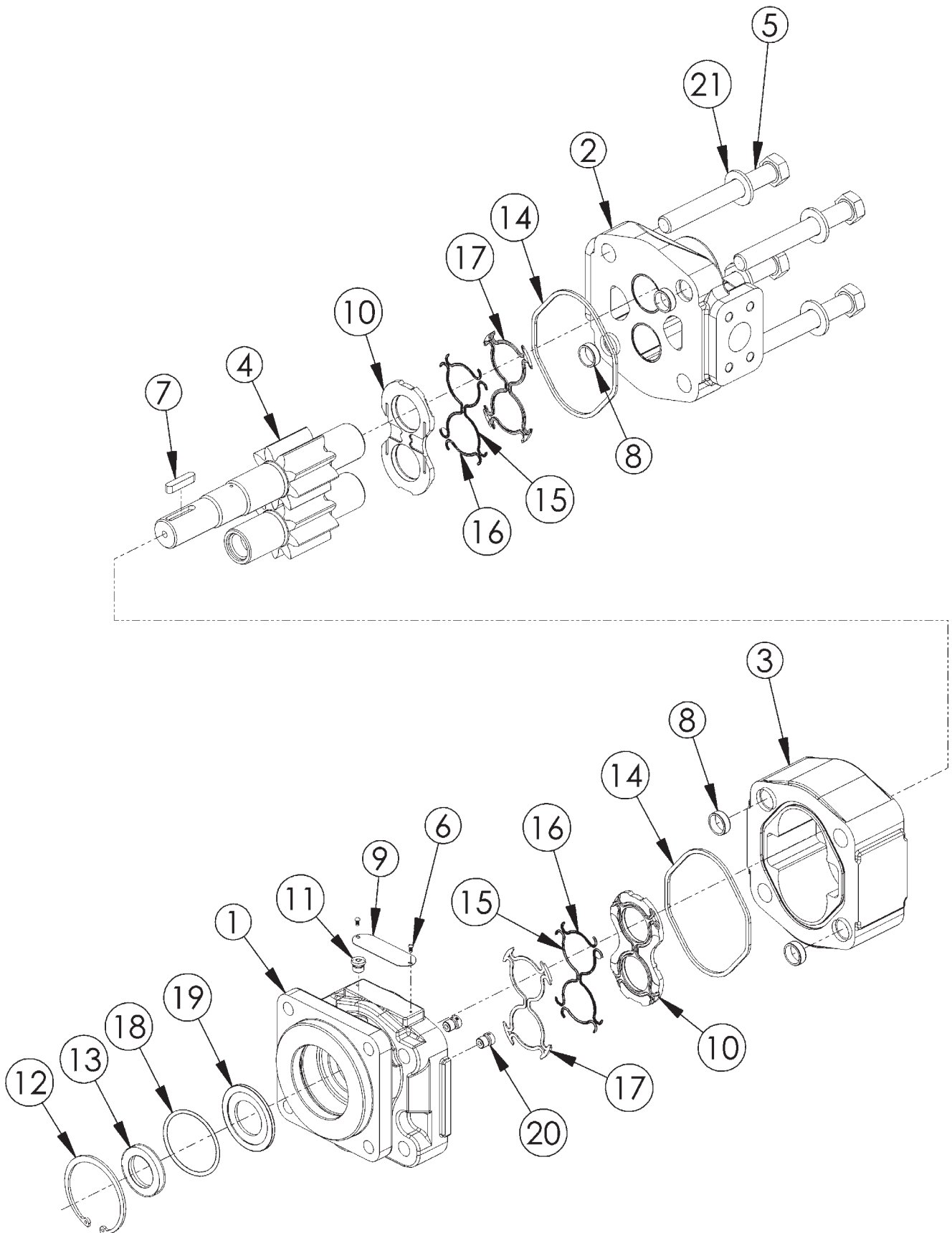
FRONT HYDRAULIC PUMP

ITEM	PART NO.	QTY.	DESCRIPTION
	23152	AVAIL	PUMP ASSEMBLY 1 3/4" COMPLETE
1	22765	1	SEAL (INCLUDED IN SEAL KIT)
2	22766	1	SHAFT END COVER
3	22767	2	CHECK AND END COVER
4	22768	2	BUSHING
5	22769	2	CHANNEL SEAL (INCLUDED IN SEAL KIT)
6	22770	2	THRUST PLATE (INCLUDED IN SEAL KIT)
7	22771	SET	DRIVE SHAFT AND GEAR SET 1 3/4"
8	22772	2	GASKET SEAL (INCLUDED IN SEAL KIT)
9	22773	4	DOWEL PINS
10	22774	1	GEAR HOUSING 1 3/4"
11	22779	1	PORT END COVER
12	23824	4	STUDS
13	22781	SET	WASHER
	6T5322	AVAIL	SEAL APPLICATOR TOOL
	24150	AVAIL	SEAL KIT (INCLUDES 1, 5, 6 AND 8)

TSR MOTOR

ITEM	PART NO.	QTY.	DESCRIPTION
	06504016	AVAIL	MOTOR(M365-1 1/4SPLINE),SEALED
1	22790	1	HOUSING, SEC
2	06504088	1	HOUSING, PEC
3	06504111	1	HOUSING, GEAR
4	06504110	1	SET, GEAR SHAFT
5	06504104	4	CAP SCREW
6	06504078	2	SCREW, DRIVE
7	06504093	4	PIN, DOWEL
8	06504094	1	NAME PLATE
9	06504095	2	THRPL
10	02961940	1	PLUG, ODT (0.25)
11	6T5200	1	RING, SNAP
12	06504097	1	SEAL, LIP
13	22797	2	SEAL, SQ-R
14	06504098	4	SEAL, SIDE CHAN
15	06504099	4	SEAL, END CHAN
16	06504100	2	SEAL, BK-UP
17	06504112	1	SPACER
18	06504113	1	RTNR, SEAL
19	6T5809	2	CHECK ASS'Y
20	06504102	4	WASHER

50" & 60" ROTARY MOWER MOTOR

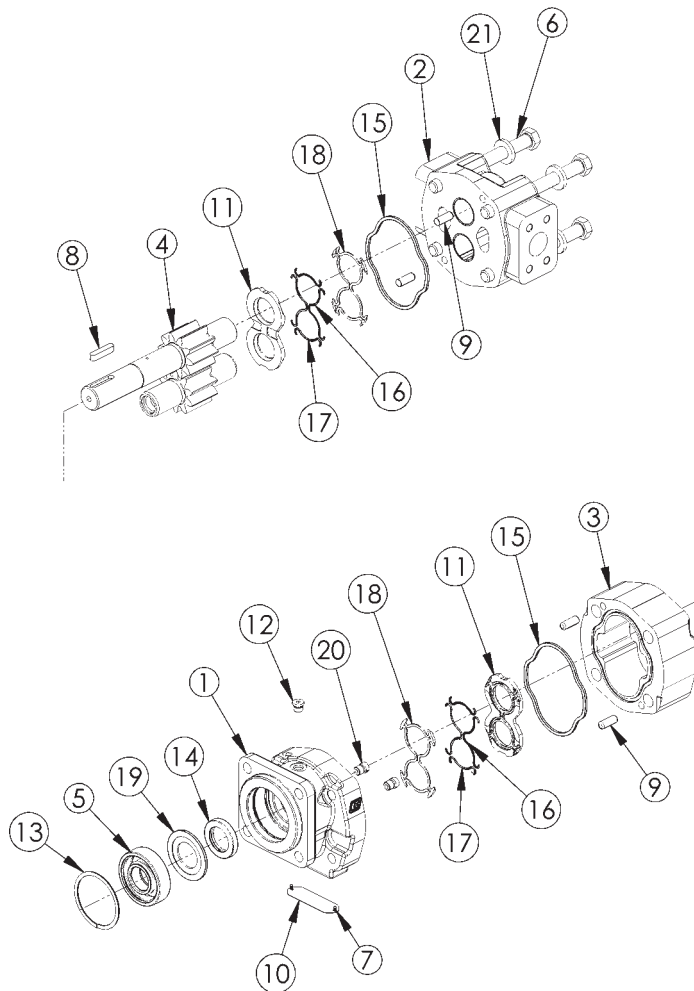


50" & 60" ROTARY MOWER MOTOR

ITEM	PART NO.	QTY.	DESCRIPTION
*	06504012	AVAIL	MOTOR ASSEMBLY TRB50
1	22790	1	SHAFT END COVER
2	06504025	1	PORT END COVER
3	2404206	1	GEAR HOUSING
4	06504038	1	MATCHED GEAR SET
5	06504037	4	CAP SCREW
6	06504027	2	SET SCREW
7	06504028	1	KEY
8	02962201	4	DOWEL PIN
9		1	NAMEPLATE
10	06504029	2	THRUSTPLATE
11	02961940	1	HEX PLUG
12	6T5200	1	SNAP RING
13	06504030	1	LIP SEAL (INCLUDED IN SEAL KIT)
14	22797	2	GASKET SEAL (INCLUDED IN SEAL KIT)
15	06504031	4	SIDE SEAL (INCLUDED IN SEAL KIT)
16	06504032	4	END SEAL (INCLUDED IN SEAL KIT)
17	06504033	2	BACK-UP SEAL (INCLUDED IN SEAL KIT)
18	06504034	1	SPACER
19	06504035	1	SEAL RETAINER
20	22791	2	CHECK ASSEMBLY
21	06504036	4	WASHER
*	06504022	AVAIL	SEAL KIT (INCLUDES 13, 14, 15, 16 AND 17)

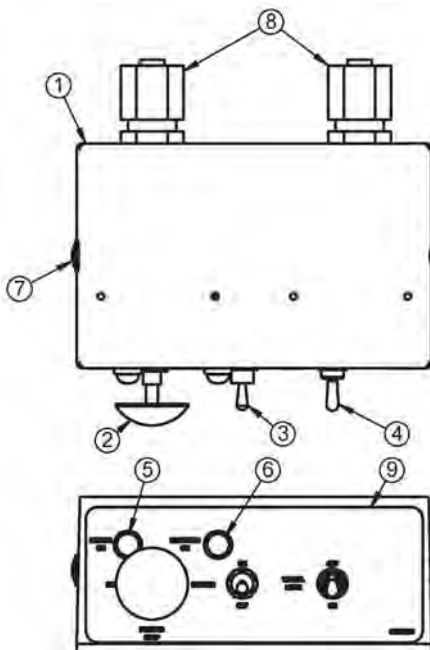
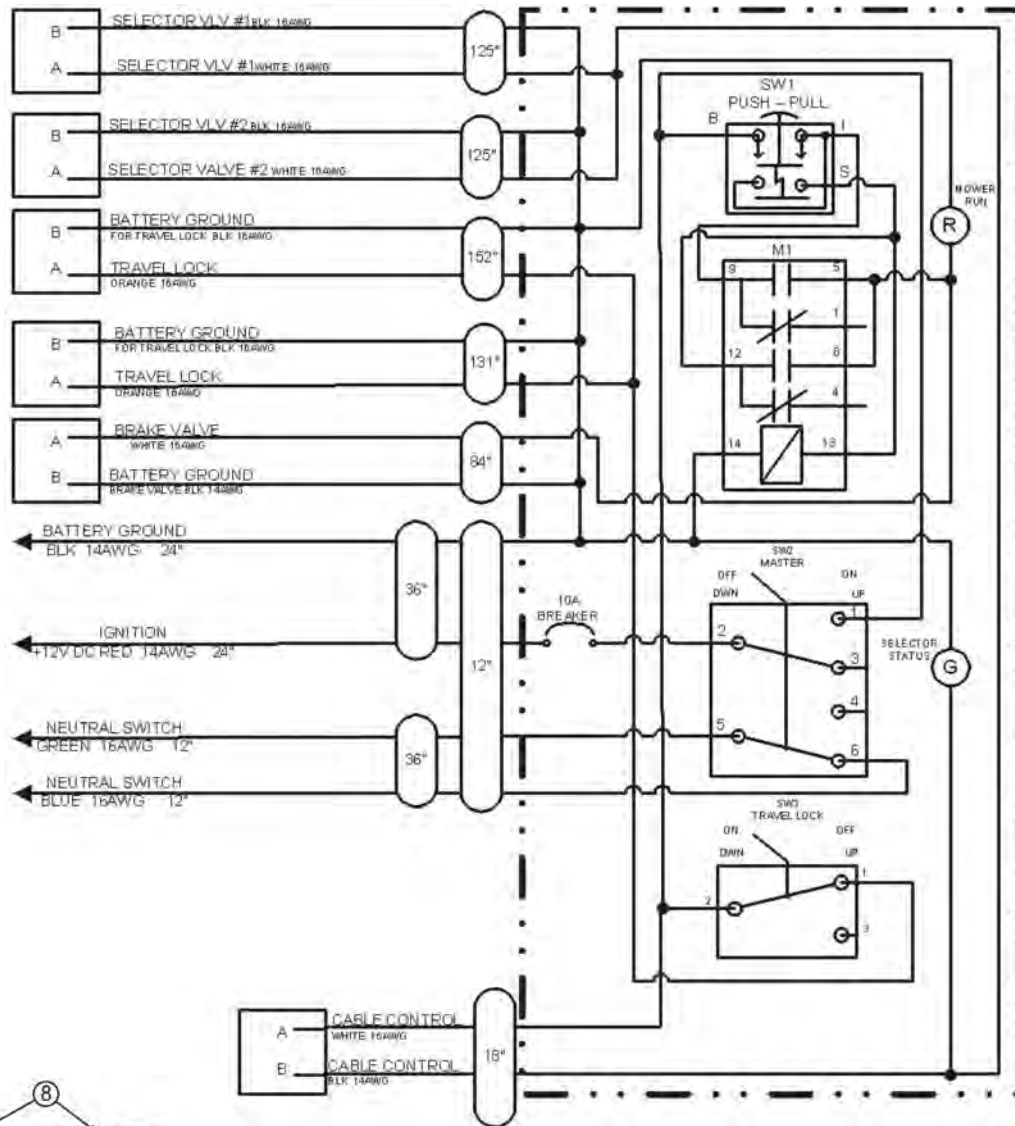
ITEM	PART NO.	QTY.	DESCRIPTION
*	06504011	AVAIL	MOTOR ASSEMBLY 2 1/4" COMPLETE TRB60
1	22790	1	SHAFT END COVER
2	06504025	1	PORT END COVER
3	02962194	1	GEAR HOUSING
4	06504026	1	MATCHED GEAR SET
5	02962197	4	CAP SCREW
6	06504027	2	SET SCREW
7	06504028	1	KEY
8	02962201	4	DOWEL PIN
9		1	NAMEPLATE
10	06504029	2	THRUSTPLATE
11	02961940	1	HEX PLUG
12	6T5200	1	SNAP RING
13	06504030	1	LIP SEAL (INCLUDED IN SEAL KIT)
14	22797	2	GASKET SEAL (INCLUDED IN SEAL KIT)
15	06504031	4	SIDE SEAL (INCLUDED IN SEAL KIT)
16	06504032	4	END SEAL (INCLUDED IN SEAL KIT)
17	06504033	2	BACK-UP SEAL (INCLUDED IN SEAL KIT)
18	06504034	1	SPACER
19	06504035	1	SEAL RETAINER
20	22791	2	CHECK ASSEMBLY
21	06504036	4	WASHER
*	06504022	AVAIL	SEAL KIT (INCLUDES 13, 14, 15, 16 AND 17)

FLAIL MOWER MOTOR



ITEM	PART NO.	QTY.	DESCRIPTION
*	06504013	AVAIL	MOTOR ASSEMBLY 350 - TBF50, TBF63
1	06504039	1	SHAFT END COVER
2	06504040	1	PORT END COVER
3	06504041	1	GEAR HOUSING
4	06504042	1	MATCHED GEAR SET
5	TF4402	1	BALL BEARING
6	06504043	4	CAP SCREW
7	06504044	2	SET SCREW
8	06504028	1	KEY
9	06504045	4	DOWEL PIN
10		1	NAMEPLATE
11	00763759	2	THRUSTPLATE
12	02961940	1	HEX PLUG
13	TF4401	1	SNAP RING
14	06504049	1	LIP SEAL (INCLUDED IN SEAL KIT)
15	TF4410	2	GASKET SEAL (INCLUDED IN SEAL KIT)
16	06504046	4	SIDE SEAL (INCLUDED IN SEAL KIT)
17	06504047	4	END SEAL (INCLUDED IN SEAL KIT)
18	TF4407	2	BACK-UP SEAL (INCLUDED IN SEAL KIT)
19	06504048	1	SEAL RETAINER
20	6T5809	2	CHECK ASSEMBLY
21	02961917	4	WASHER
*	06504022	AVAIL	SEAL KIT (INCLUDES 14, 15, 16, 17, AND 18)

MANUAL CONTROLS SWITCHBOX

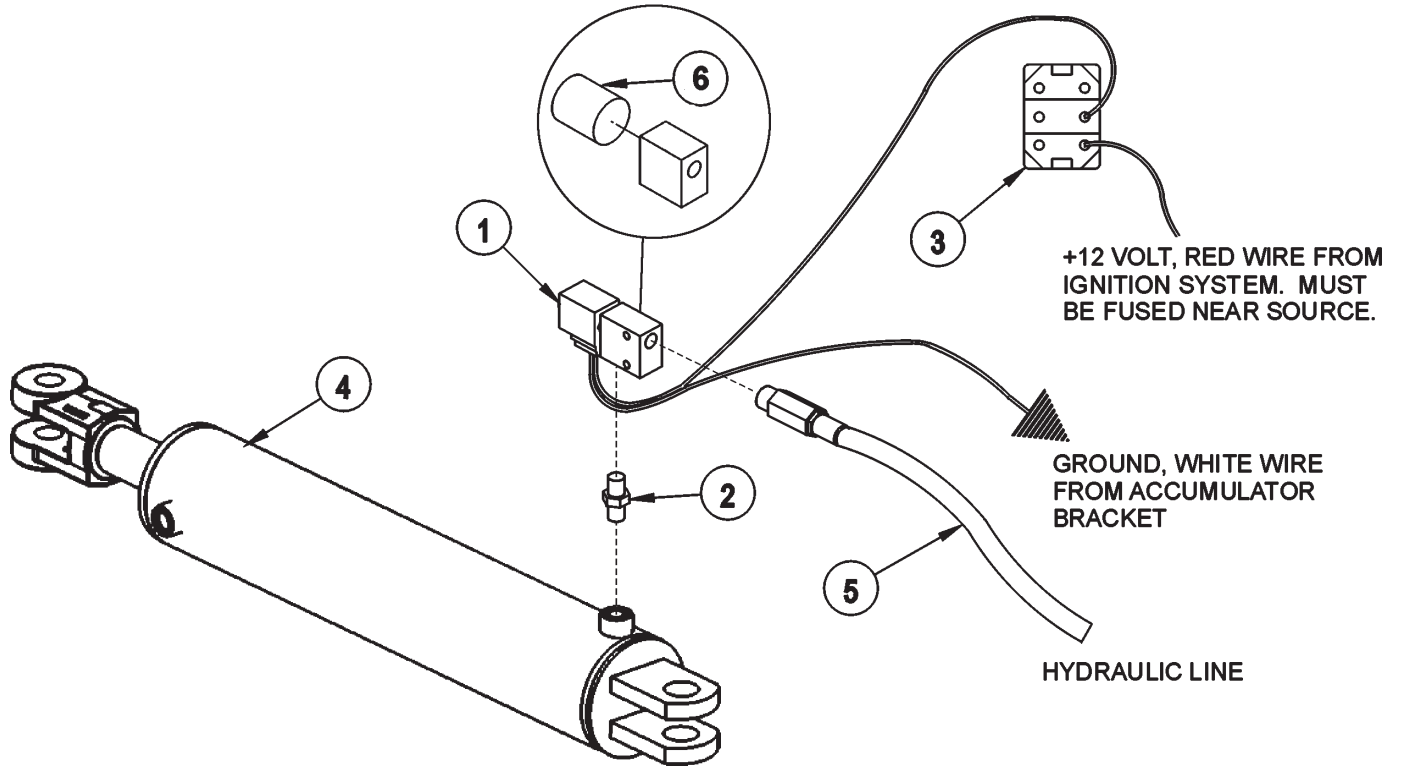


ITEM	P/N	QTY.	DESCRIPTION
1	06514010	1	SWBX,ASSY
2	35226	2	SWITCH,MOWER,COLEHERSEE
3	33811	1	SWITCH,MASTER/DECK FLOAT
4	34532	1	SWITCH,TRVL LCK
5	6T3923	1	INDICTATOR LIGHT,ON,RED
6	06510193	1	INDICTATOR LIGHT,ON,GREEN
7	06514006	1	BREAKER,15A,SWBX
8	34540	2	STRAIN RELIEF
9	06550043	1	DECAL,SWTCHBX
10	35227	1	RELAY,DP,DT,12V,LY2F (NOTSHOWN)

05-25-05

BOOM TRAVEL LOCK

DETAILS



Husco Switch Box



TRAVEL LOCK SWITCH

Danfoss Switch Box



TRAVEL LOCK SWITCH

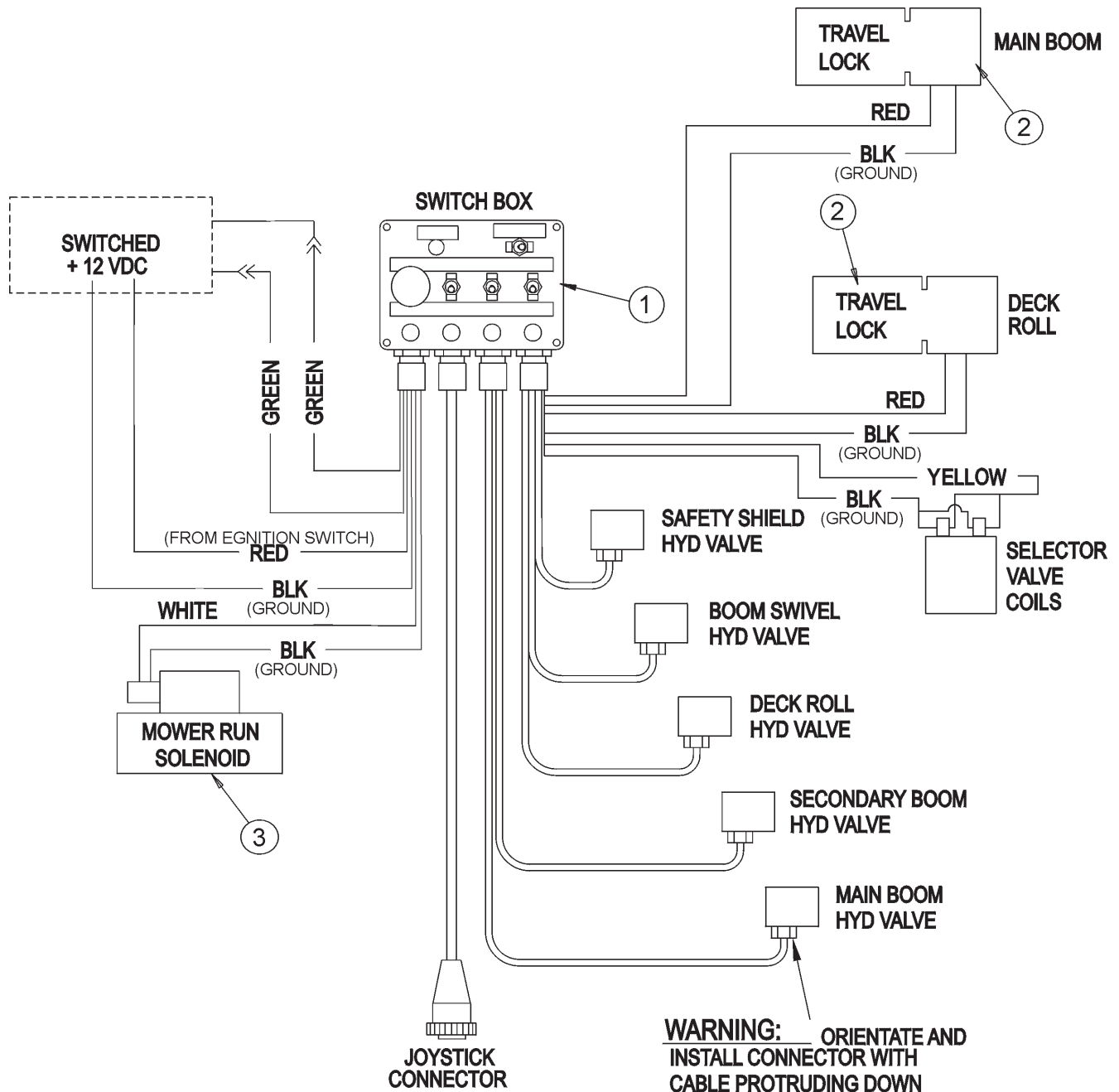
Toggle switch on Switch Box

Refer to your switchbox before drilling hole or wiring.

For cab units, drill a hole in an open area on the right side of the dash panel and install the toggle switch. Install the decal for the toggle switch operation directly by the toggle switch.

ITEM	PART NO.	QTY.	DESCRIPTION
1	06510050	1	HYDRAULIC TRAVEL LOCK VALVE
2	31329	1	ADAPTER
3	34532	1	SWITCH, TRAVEL LOCK
4	*	REF.	MAIN BOOM CYLINDER - REFER OT BOOM ASY
5	*	REF.	HOSE / FITTINGS - REFER TO BOOM ASY
6	06510092	1	COIL, TRAVEL LOCK

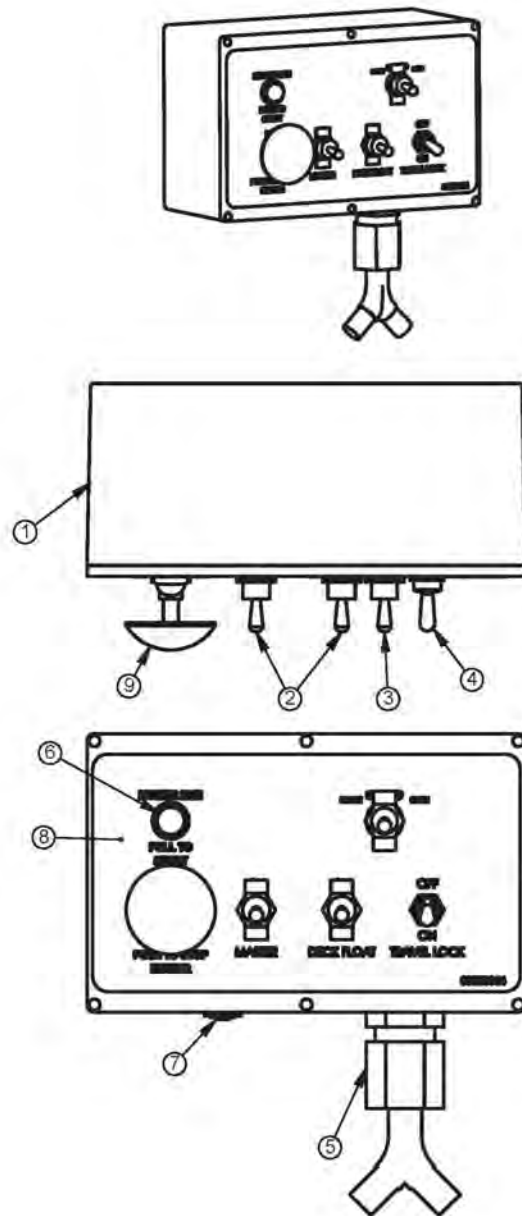
JOYSTICK AND SWITCH BOX WIRING



32731

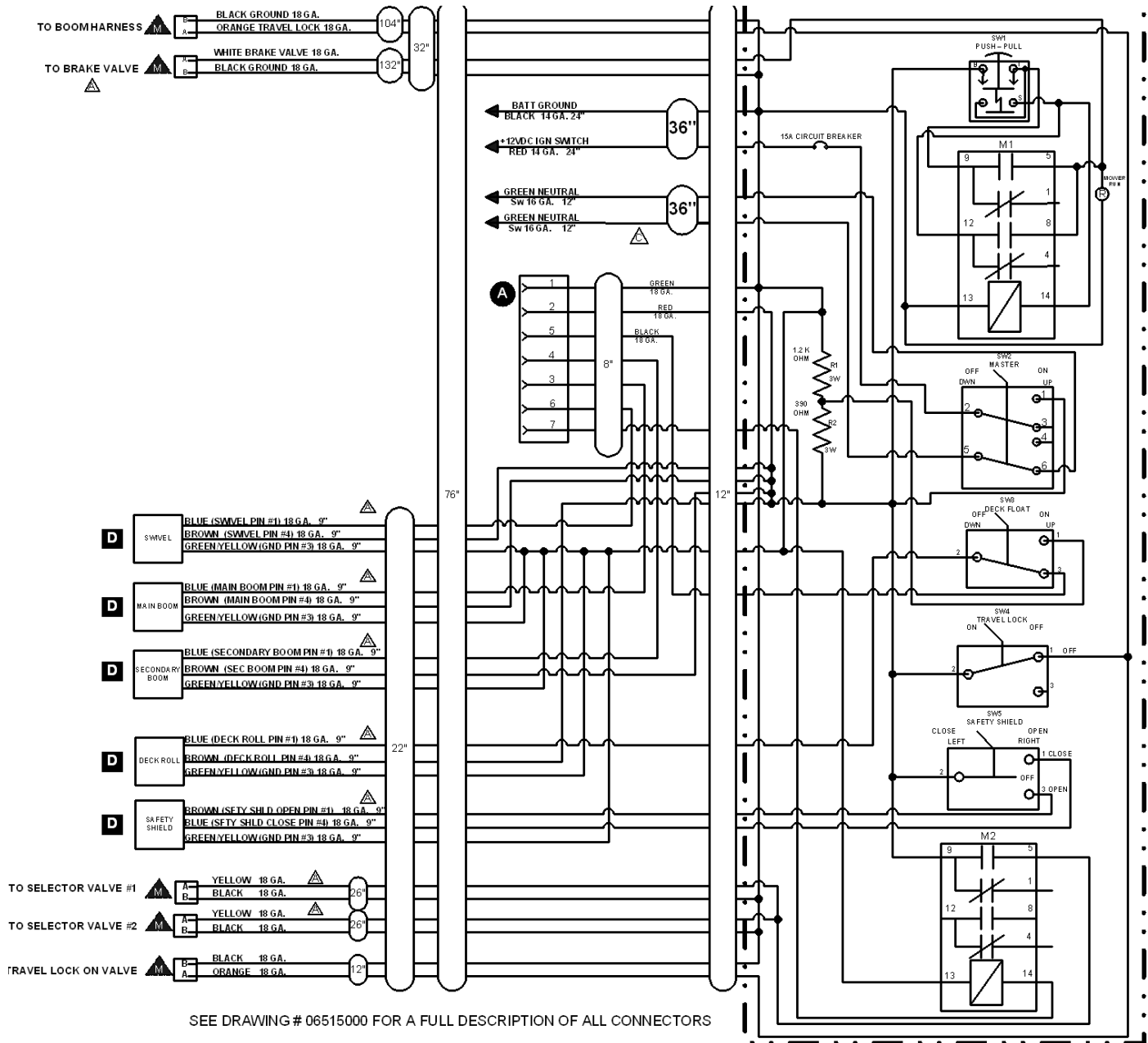
ITEM	PART NO.	QTY.	DESCRIPTION
1	06510195	1	SWITCHBOX
2	REF.	*	TRAVEL LOCK - REFER TO HYDRAULICS
3	REF.	*	SOLENOID - REFER TO MAIN FRAME

JOYSTICK SWITCHBOX SERVICE PARTS

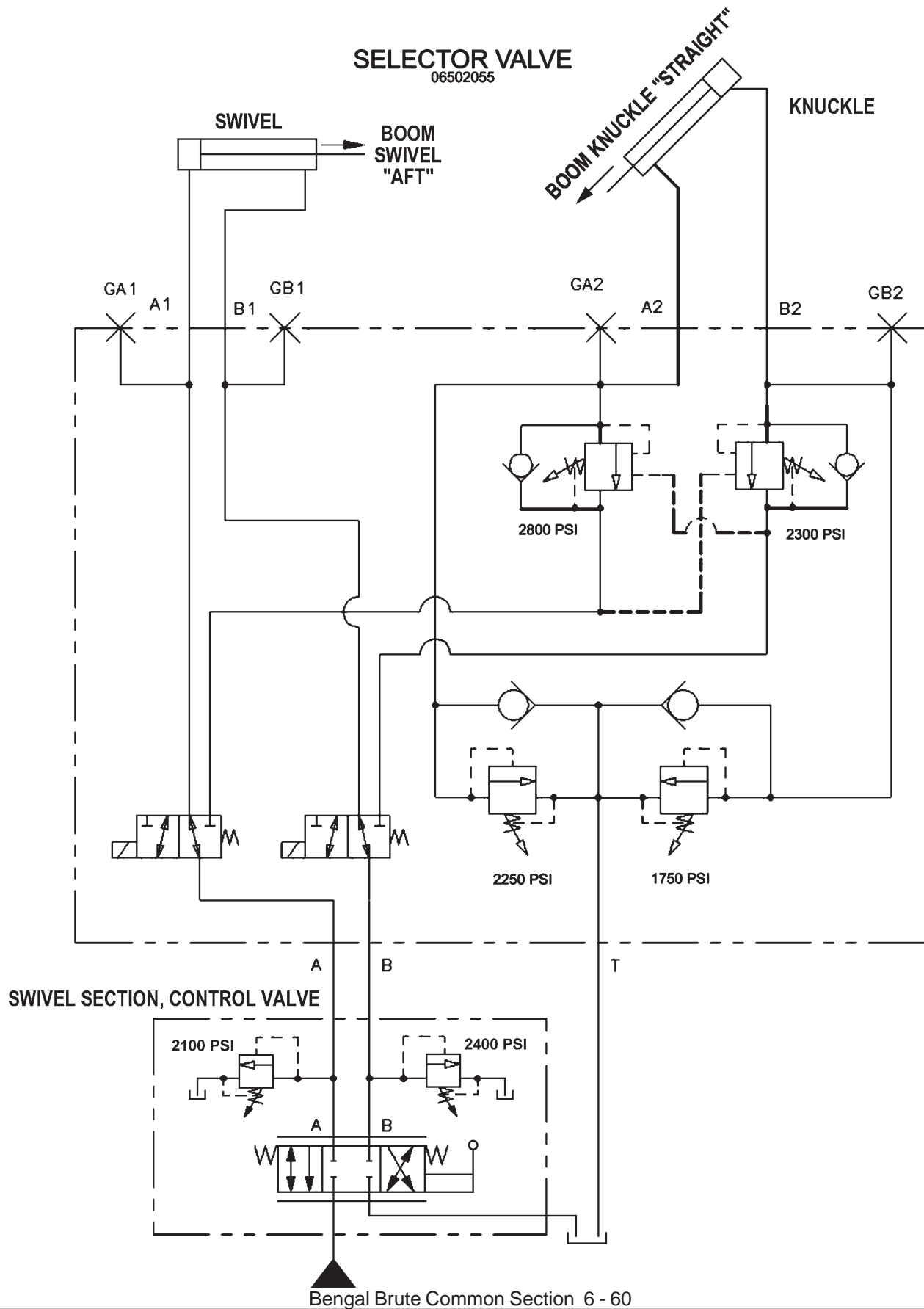


ITEM	P/N	QTY.	DESCRIPTION
1	06510195	1	SWBX,ASSY
2	33811	2	SWITCH,MASTER/DECK FLOAT
3	33813	1	SWITCH,SFTY SHIELD
4	34532	1	SWITCH,TRVL LCK
5	34540	1	STRAIN RELIEF,3/4,BLACK,NYLON
6	6T3923	1	INDICTATOR LIGHT,ON,RED
7	06514006	1	BREAKER,15A,SWBX
8	06550044	1	DECAL,SWBX,06510047
9	35226	1	SWITCH,MOWER,COLEHERSEE
10	35227	2	RELAY,DP,DT,12V,LY2F,35226

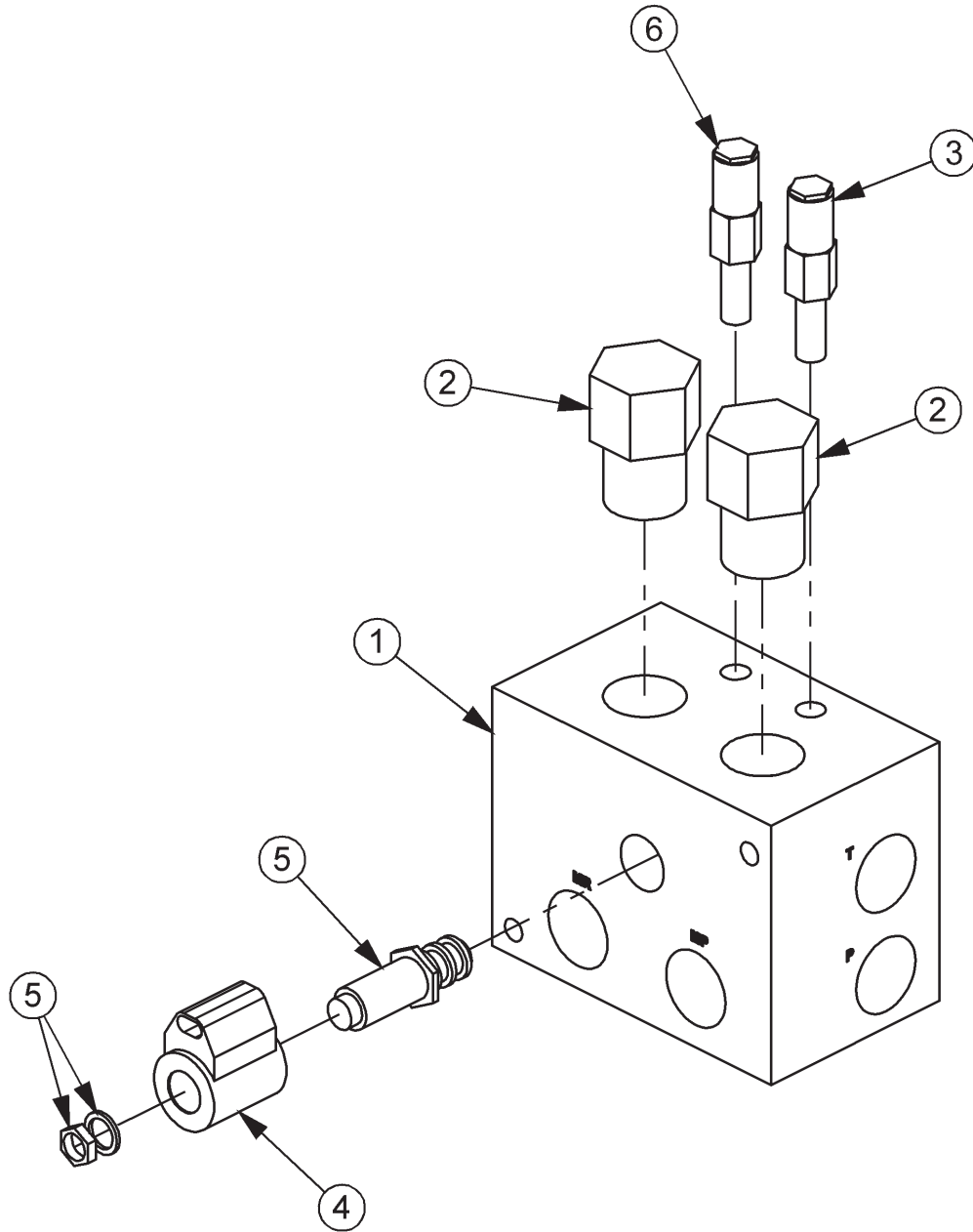
JOYSTICK SWITCHBOX SCHEMATICS



SELECTOR VALVE SCHEMATIC

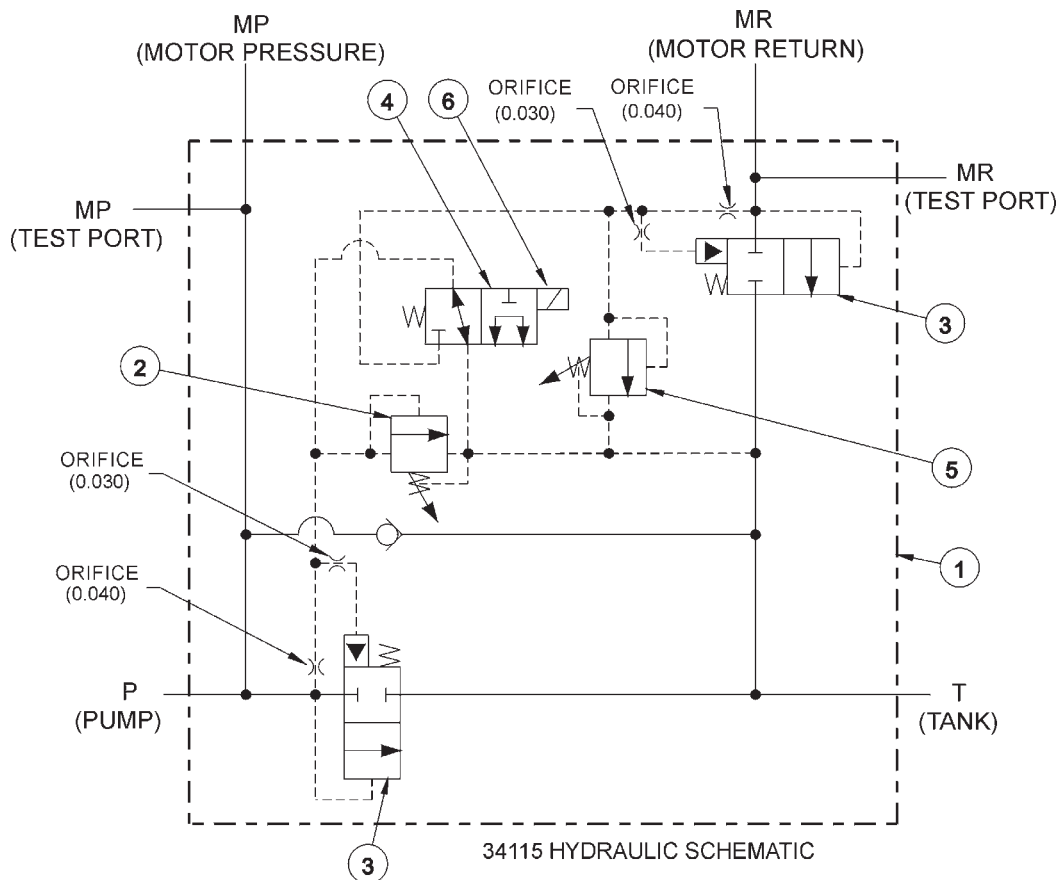


BRAKE VALVE ASSEMBLY W/ METRI PAK



ITEM	PARTNO.	QTY.	DESCRIPTION
1	34092	1	BRAKE VALVE, BLANK
2	34094	2	LOGICELEMENT
3	34095	1	RELIEF VALVE, 3000 PSI
4	06510095	1	METRI PAK COIL
5	34093	1	CARTRIDGE, 2 POSITION, 3 WAY (WITH NUT & WASHER)
6	34091	1	RELIEF VALVE, 2600 PSI

SOLENOID BRAKE VALVE HYDRAULIC SCHEMATIC



BRAKE VALVE TROUBLESHOOTING

FAILURE MODE:

- | FAILURE MODE: | CHECK STEPS |
|---|-------------|
| - MOWER WILL NOT START - system pressure is low (engine not lugging). | 1 thru 6 |
| - MOWER WILL NOT START - system pressure is high (engine lugging). "MR" port will be high pressure. | 7 |
| - MOWER WILL NOT ROTATE AT FULL SPEED - limited power. | 3 thru 5 |
| - MOWER BLADE WILL NOT STOP - blade will not stop in proper time. | 7 thru 9 |

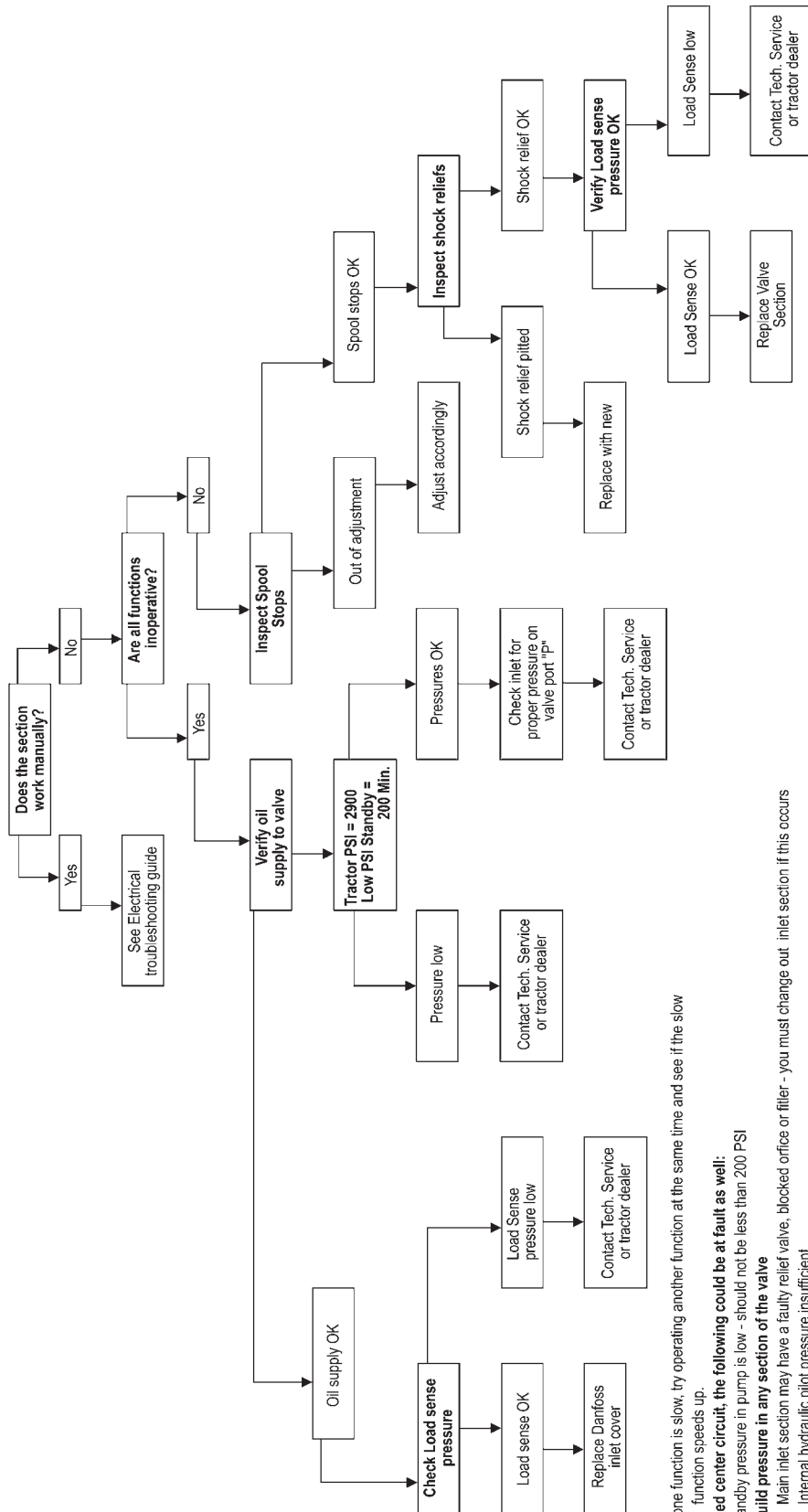
CORRECTIVE STEPS:

1. Check for voltage at solenoid (item 6), voltage must be between 10.2 volts and 13.8 volts.
2. Remove, inspect solenoid and cartridge (items 4, 6) for wear or contamination.
3. Remove, inspect logic elements near "P" port (item 3) for wear or contamination.
4. Remove, inspect 3000 psi relief valve (item 2) for wear or contamination.
5. Remove and inspect orifices near "P" port for contamination.
6. Remove "P" port hose and fitting, visually inspect for contamination, check ball for movement.
7. Remove and inspect orifices near "MR" port for contamination.
8. Remove, inspect 2600 psi relief valve (item 5) for wear of contamination.
9. Remove, inspect logic element near "MR" port (item 3) for wear or contamination.

Bengal Brute Common Section 6 - 62

HYDRAULIC - TROUBLESHOOTING GUIDE

Hydraulic Troubleshooting guide



Notes: If one function is slow, try operating another function at the same time and see if the slow function speeds up.

On a closed center circuit, the following could be at fault as well:

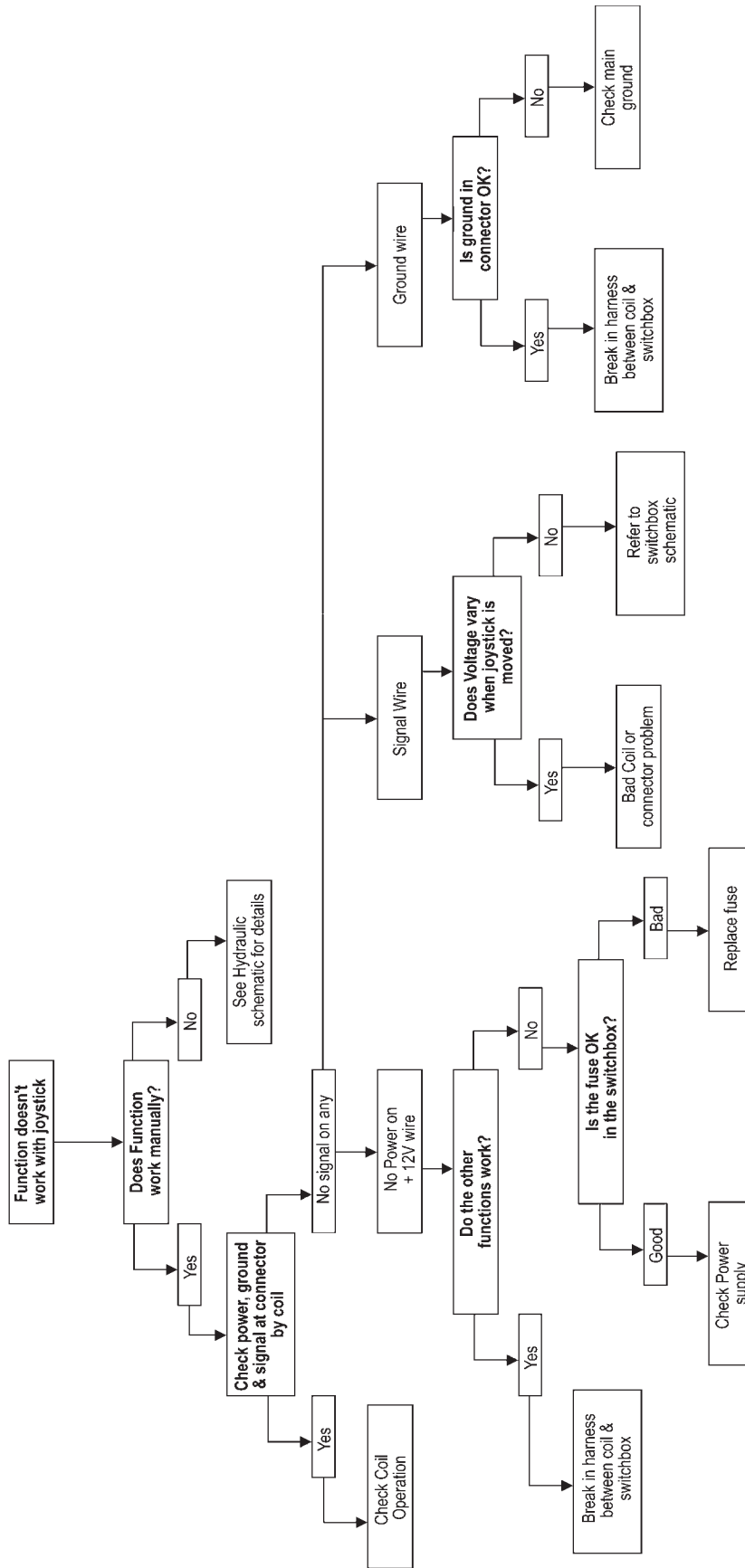
Tractor standby pressure in pump is low - should not be less than 200 PSI

Cannot build pressure in any section of the valve

Main inlet section may have a faulty relief valve, blocked orifice or filler - you must change out inlet section if this occurs
Internal hydraulic pilot pressure insufficient

ELECTRICAL - TROUBLESHOOTING GUIDE

Danfoss Electrical Troubleshooting guide



TROUBLESHOOTING

JOYSTICK TROUBLESHOOTING

Boom operation not responding to joystick movement.

Isolate hydraulic vs. electronic symptom.

Turn off electronic master switch (preventing electronic actuator on valve from attempting to hold spool in neutral position). With tractor engine running, operate the valve section with the manual handle. If function operates normally, continue with electronic inspection. If function does not operate normally, continue with hydraulic inspection.

Electronic inspection.

Connect a voltmeter to the cable connector of the valve section that is not operating. This will allow you to measure supply and signal voltage when the joystick is operated.

Main, Secondary, and Swivel Valves – signal voltage should be 50% of supply voltage with joystick in Neutral position, up to 75% of supply voltage in B direction, down to 25% of supply voltage in A direction. Signal voltage should change smoothly with lever movement.

Pin #1 – Supply Voltage Pin #2 – Signal Voltage Pin #gnd – ground

Deck Roll Valve or Float Valve – signal voltage should be 50% of supply voltage with joystick in Neutral position, up to 65% of supply voltage in B direction, down to 35% of supply voltage in A direction. Signal voltage should change smoothly with lever movement. Signal voltage should be approximately 75% of supply voltage when float switch is operated.

Pin #1 – Supply Voltage Pin #2 – Signal Voltage Pin #gnd – ground

Shield Valve or On/Off Valve – Voltage on pin #1 should be equal to supply voltage when switch is operated in A direction. Voltage on pin #2 should be equal to supply voltage when switch is operated in B direction.

Pin #1 – Signal Voltage Pin #2 – Signal Voltage Pin #gnd – ground

If none of the valve will operate with electrical signal, verify that there is oil pressure at the valve inlet. Electrical Valves must have pilot supply oil to move the spools.

Possible electronic problems.

Open circuit (broken wire, bad connection or loose connection in switch box).

Shorted to positive, ground, or other.

Incorrect voltage signal from joystick.

Continued on next sheet

Bengal Brute Common Section 6 - 65

TROUBLESHOOTING

Hydraulic inspection.

Install 3 pressure gauges, on the valve inlet (use M port, or tee into hose supplying oil from the pump to the inlet), on the workport that is not operating, and on the LS port.

With the spools in Neutral

Gear pump – P should be approximately 200 psi, LS = 0, workport – pressure on cylinder or function.

LS pump – P should equal pump standby pressure, LS = 0, workport – pressure on cylinder or function.

Pressure Comp pump – P should equal pump standby pressure, LS = 0, workport – pressure on cylinder or function.

Gear pump – P should be approximately 200 psi higher than LS, LS should equal workport, workport – pressure on cylinder or function.

LS pump – P should be LS + standby, LS should equal workport, workport – pressure on cylinder or function.

Pressure Comp pump – P should equal pump standby pressure, LS should equal workport, workport – pressure on cylinder or function.

Operate one spool, measure pressures with function at end of travel or stop

Gear pump – P should equal valve relief setting or workport shock valve setting. LS should equal workport. Workport should equal relief setting or workport shock valve setting.

LS pump – P should equal valve relief setting, pump max pressure setting, or workport shock valve setting. LS should equal workport. Workport should equal relief setting, pump max pressure setting, or workport shock valve setting.

Pressure Comp pump – P should equal pump standby pressure, LS should equal workport. Workport should equal pump standby pressure or workport shock valve setting.

Operate more than one spool.

Gear pump – P should be approximately 200 psi higher than LS. LS should equal highest workport pressure. Workport – pressure on cylinder or function.

LS pump – P should be LS + standby pressure. LS should equal highest workport pressure. Workport – pressure on cylinder or function.

Pressure Comp pump. P should equal pump standby pressure. LS should equal highest workport pressure. Workport – pressure on cylinder or function.

Possible hydraulic problems.

Cylinder leak.

LS signal leaking to tank before reaching pump LS port.

Hydraulic system or pump not supplying flow to valve.

CLEAN CUTTER - BOOM

CLEAN CUTTER SECTION

ASSEMBLY - CLEAN CUTTER

CAUTION!



Failure to follow the following warnings and instructions may result in serious injury or damage to the equipment or property!

CAUTION!



WARNING: The blade alone weighs approximately 145 lbs. Be sure its weight can be supported before attempting to replace. The use of a lift mechanism will ease replacement.

CLEAN CUTTER BLADE MOUNTING

The CLEAN CUTTER blade was designed for installation onto a standard TRB50 spindle. It is equipped with replaceable carbide tipped teeth. Carbide is very hard, it will chip or break on impact. Handle the saw blade with care. **DO NOT** roll saw on any hard surface or allow it to strike a hard object. Set it down on a piece of belting or wood to avoid damaging carbide tips. Install two temporary(2) threaded studs into (2) opposite holes in the spindle. Align the bolt holes in adapter (part number 33875) with the studs and slide adapter over studs, be sure to index adapter so as the protruding 2 7/8" diameter pilot on the adapter faces outward away from spindle. Then slide the saw blade (part number 33874) over the studs and onto the 2 7/8" diameter pilot of the adapter. **NOTE:** Orient blade for clockwise rotation (blade rotates clockwise when looking down on top of mower deck). Then slide the collar (part number 33876) over the studs with the chamfered edge of collar to the outside, be sure the counterbore bolt holes face outward. Apply Loctite "271" to the threads of the 5/8-18 x 3" UNF Grade 8 bolts (part number 33877), and install lock washers (part number 21992) onto the bolts, then install bolts through collar, blade, and adapter into the spindle. Remove the threaded studs, and replace with bolts and lockwashers. Torque bolts in an alternating pattern to 184 Ft-lbs.

DANGER!



Never work under the Implement, the framework, or any lifted component unless the Implement is securely supported or blocked up to prevent sudden or inadvertent falling which could cause serious injury or even death. (SG-14)

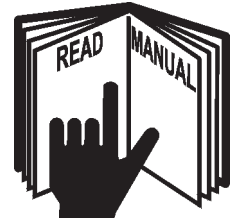


OPERATION - CLEAN CUTTER

DANGER!



Never operate the Tractor or Implement until you have read and completely understand this Manual, the Tractor Operator's Manual, and each of the Safety Messages found in the Manual or on the Tractor and Implement. Learn how to stop the tractor engine suddenly in an emergency. Never allow inexperienced or untrained personnel to operate the Tractor and Implement without supervision. Make sure the operator has fully read and understood the manuals prior to operation. (SG-4)



OPERATING INSTRUCTIONS

Inspect clean cutter saw before each use. Re-torque spindle bolts to 204 Ft-lbs. Inspect blade around collar and near the teeth for bends and cracks. Check for loose, broken, chipped, dull or missing teeth. Tighten all loose teeth by hammering and or replacing rivets. If teeth are broken, chipped, or missing or if blade is cracked or becomes bent remove blade and have it repaired at an approved service center. Call Tiger Service Department for replacement parts and service.

The TRB50 Clean Cutter is intended for clean cutting trees and brush up to six (6) inches in diameter maximum. Turn mower "ON" while tractor is running at idle RPM. Then increase tractor speed to 1,950 RPM maximum. Note, this tractor engine speed produces a mower speed of 1,500 RPM. **DO NOT operate the clean cutter mower at speeds in excess of 1,500 RPM.** If saw blade wobbles in excess of two (2) inches while tractor is idling, **STOP**, remove the blade and have it repaired at an approved service center. Call Tiger Service Department for replacement parts and service.

Allow saw to accelerate to maximum speed before moving into foliage. Advance mower head smoothly in foliage. Allow saw to cut through material, do not force or over feed. If saw slows excessively, move the head out of the foliage, and allow the saw to achieve maximum speed. **DO NOT** move up or down or roll mower head while cutting through heavy foliage. **DO NOT** use clean cutter mower on the ground. The saw blade is equipped with carbide tips, which are very hard. Striking rocks, steel, concrete, or other similar debris will break these tips.

Badly worn teeth increase stress to the saw blade and require more horsepower to cut than sharp teeth. Set-up a scheduled maintenance program for the saw before the teeth are dull. The saw will last longer, produce a better cut, cut large diameter foliage without binding, and will cost less to operate.

Check adapter and collar every time saw is changed, maintain the .004 inch taper on face (surface against the saw blade) of these two (2) items. Always clean adapter and collar before mounting the blade. If adapter or collars are worn or damaged, they must be replaced.

Familiarize yourself with the machines operation and correct operating safety precautions.

OPERATION - CLEAN CUTTER

WARNING!



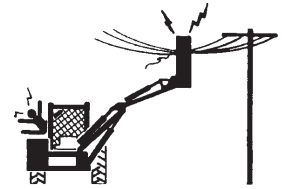
Excessive wobble will generate heat in the blade, rapidly accelerating the loss of tension. The overheated blade will then rub against the foliage as it is cutting, again increasing the heat in the blade and intensifying the wobble. The blade may then weaken, crack and eventually fail. **NEVER RUN A BLADE THAT IS CRACKED OR BENT.**

DANGER!



Always keep a careful lookout and use extreme care when working around overhead obstructions. Never allow the Mower head or boom within 10 feet of any power line. When working close to overhead power lines consult your electric company for a safe code of operation.

(SBM-7)



WARNING!



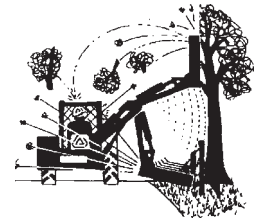
Do not put hands or feet under mower decks. Blade Contact can result serious injury or even death. Stay away until all motion has stopped and the decks are securely blocked up. (SGM-9)



DANGER!



Never operate the Tractor and Mower Unit without an OPS (Operators Protective Structure) or Cab to prevent injury from objects thrown from ground or from overhead trimming. Stop mowing if workers or passersby are within 100 yards. (SBM-9)



WARNING!



CAUTION: Never leave the key in the ignition switch. Also personal injury or death can occur from sudden dropping or inadvertent operation of the controls. Make certain the area is clear before lowering or raising the deck.

MAINTENANCE - CLEAN CUTTER

MAINTENANCE INSTRUCTIONS

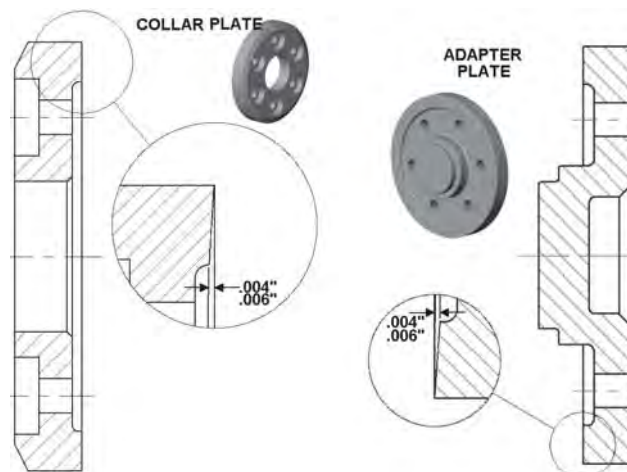
Inspect clean cutter saw before each use. Re-torque spindle bolts in an alternating pattern to 204 ft-lbs. Check for loose, broken, chipped, dull or missing teeth. Tighten all loose tooth assemblies by hammer and or replacing rivets. If teeth tips are broken, chipped, or missing, replace tip or replace entire tooth assembly. **NEVER RUN SAW BLADE WITH MISSING TOOTH ASSEMBLY.** If saw blade is cracked, becomes bent or wobbles in excess of two (2) inches while the tractor is idling, **STOP**, remove blade and have it repaired at an approved service center. Call Tiger Service Department for replacement parts and service.

These saw blades are pre-tensioned after the tooth assemblies are riveted in place. This pre-tensioning ensures that the blade runs true and remains true under normal cutting load. Removal of more than one or two complete tooth assemblies at a time may effect the tensioning of the blade. Before cutting always check for wobble while machine is running at idle. If blade wobbles in excess of two (2) inches, **STOP**, remove blade and have it repaired at an approved service center. The teeth tips can be replaced without removing the tooth bodies from the saw blade (see TIP REPLACEMENT PROCEDURE). This method is preferred over the entire removal of tooth assemblies.

Check adapter and collar every time saw is changed, maintain the .004 to .006 inch taper (see figure below) on inside face (surface against saw blade) of these two (2) items. Always clean inside face of adapter and collar before mounting the blade. If adapter or collars are worn, chipped, or damaged, they must be replaced.

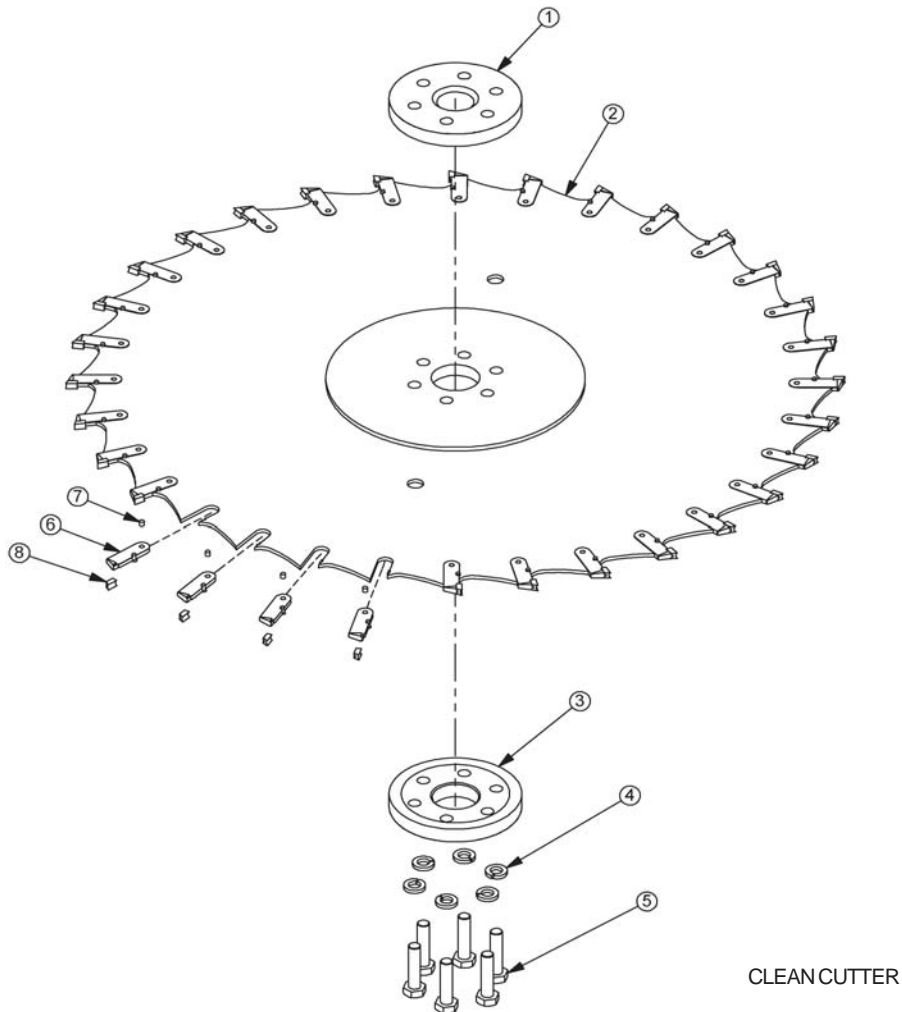
Any saw blade (regardless of condition) that has seen regular use should be serviced at least once a year at an approved service center.

Spare saw blades should be stored in a dry environment and transported only on the wooden crates that are supplied with the saw blade.



Bengal Brute Common Section 6 - 71

CLEAN CUTTER BLADE AND TEETH PARTS



ITEM	PART NO.	QTY.	DESCRIPTION
1	06420024	1	ADAPTER,SAW,TRB50,RNFRCD
2	06520224	1	BLADE, 48" SAW WITH TEETH
3	06420037	1	COLLAR,SAW,TRB50,RNFRCD
4	33764	6	FLATWASHER,5/8,GR 8,SAE
5	06530209	6	CAPSCREW,5/8 x 3 3/4 NF, GR 8
6	06520225	30	TOOTH WITH RIVET, SAW BLADE
7	34703	30	TOOTH RIVET, SAW BLADE
8	34702	30	TOOTH TIP, SAW, CARBIDE
*	34705	AVAIL	SHARPENING TOOL (NOT SHOWN)
*	34704	AVAIL	RIVET REMOVER TOOL (NOT SHOWN)

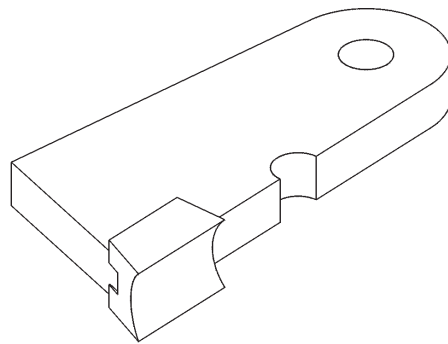
(UPDATED NOVEMBER '07)

Bengal Brute Common Section 6 - 72

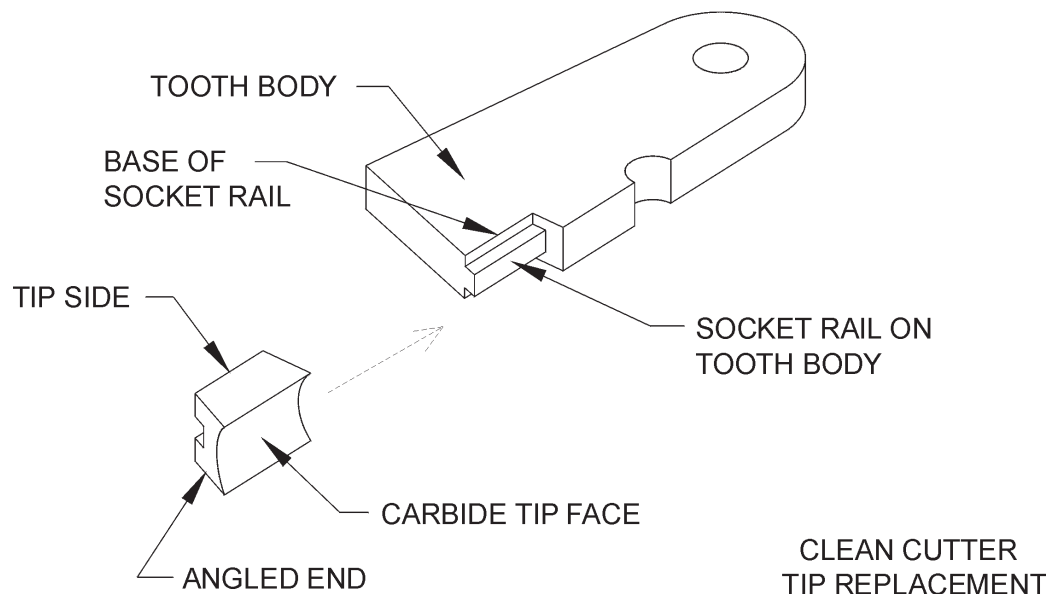
TIP REPLACEMENT PROCEDURE

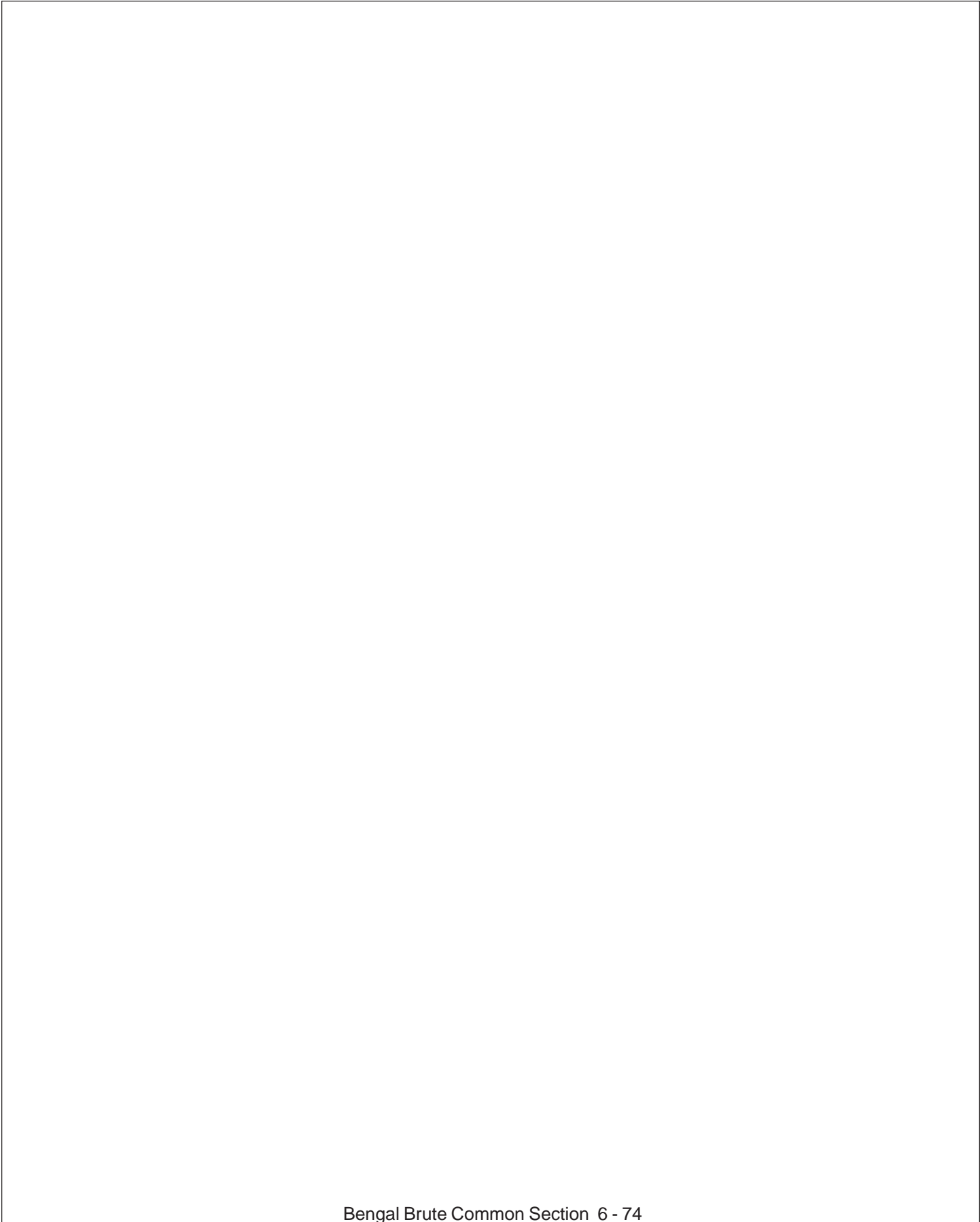
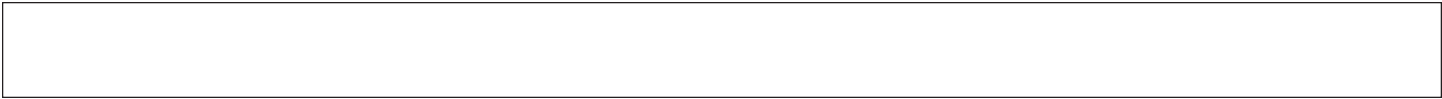
CARBIDE TIP REPLACEMENT

1. Heat face of tip to **dull orange**, remove tip, then brush tooth body clean of all debris (carbon).
2. Apply acetone to socket rail on tooth body and allow it to evaporate. Dab on soldering paste (black flux) to socket rail of tooth body and slide pre-tinned tip into place.
3. Then heat tip sides and base of socket rail to ensure silver solder flows completely around base of tip. Grasp tip with tweezers and gently twist tip back and forth to ensure complete bonding of silver solder
4. Discontinue heat, and allow to cool. Then check braze by gently tapping tip with rubber mallet.



VIEW OF ASSEMBLED TOOTH



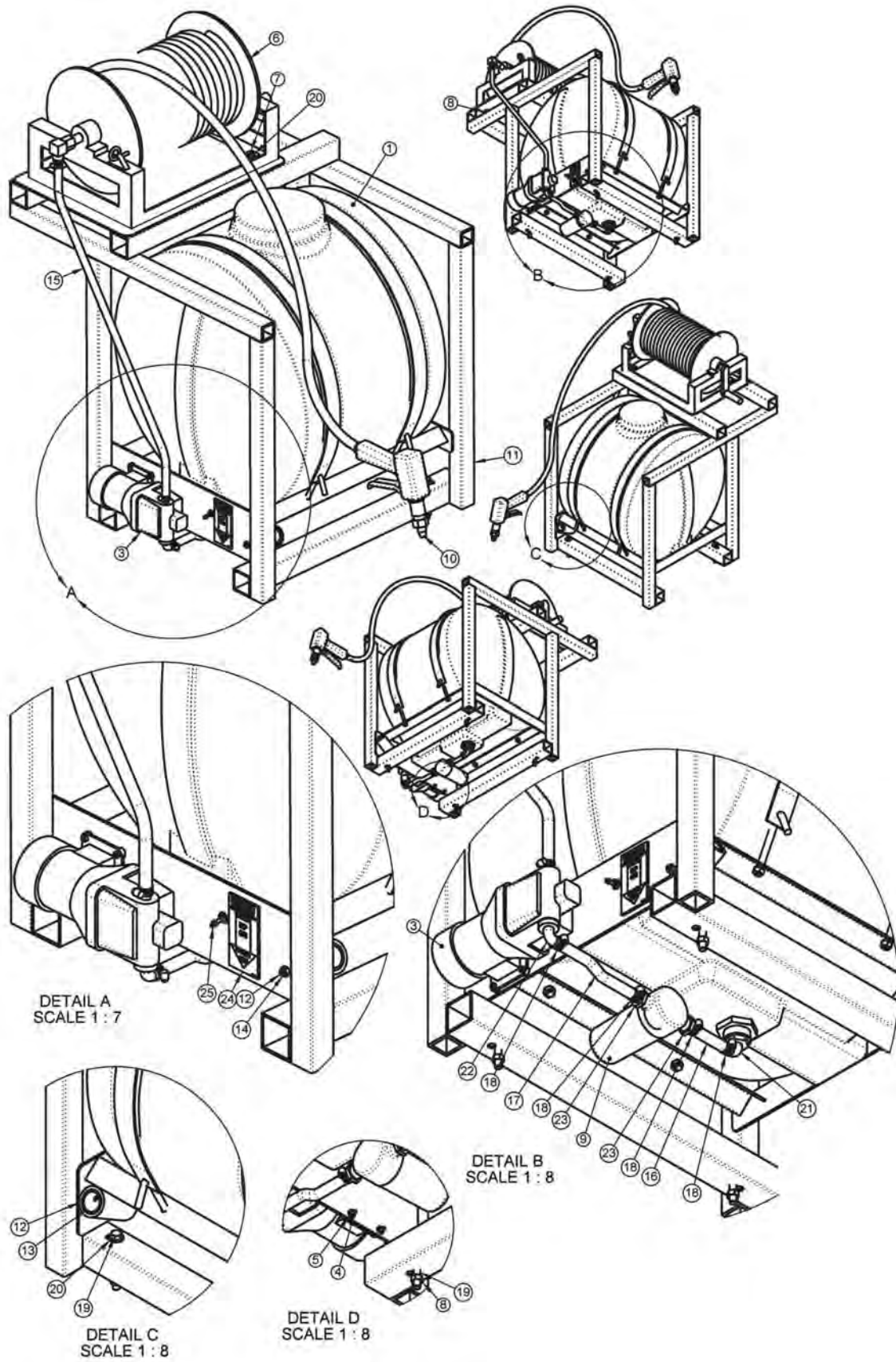


Bengal Brute Common Section 6 - 74

FIRE SUPPRESSION SYSTEM

FIRE SYSTEM SECTION

FIRE SUPPRESSION SYSTEM PARTS

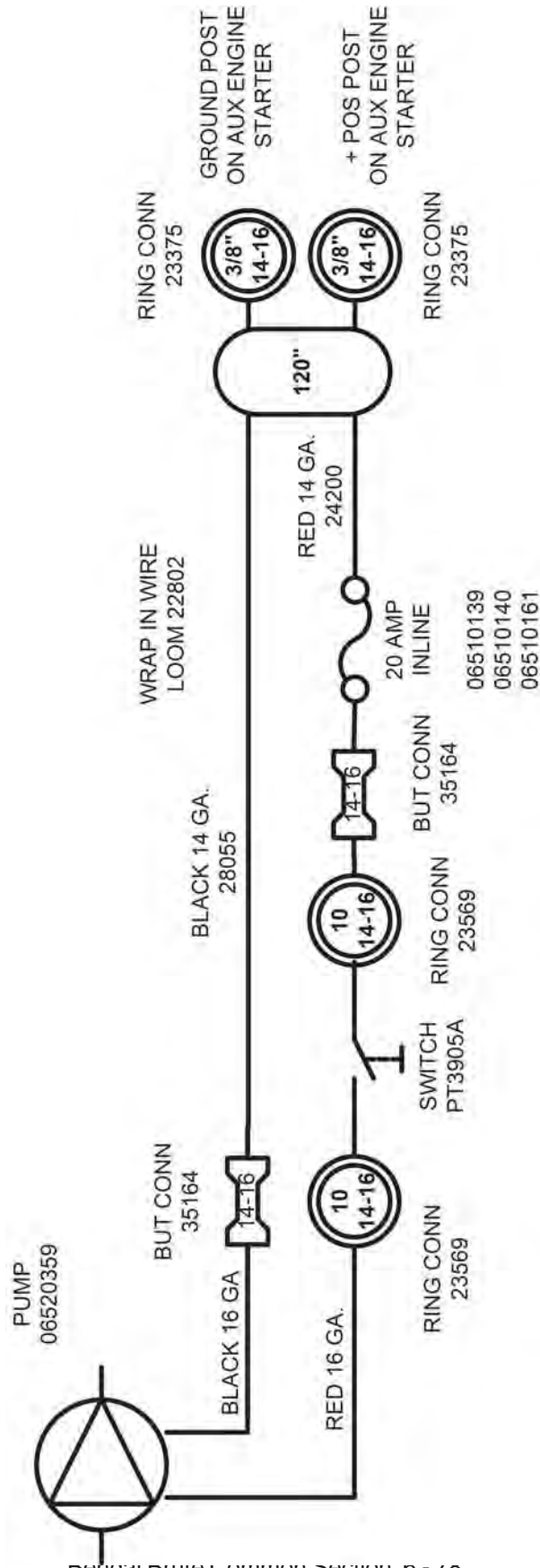


Bengal Brute Common Section 6 - 76

FIRE SUPPRESSION SYSTEM PARTS

ITEM	P/N	QTY.	DESCRIPTION
1	06520357	1	TANK,FIRE SUPPRESS SYS,RAILKUT
2	06520358	1	MNT,TANK,FIRE KIT,RAILKUT
3	06520359	1	PUMP,FIRE SUPPRESS SYS,RAILKUT
4	6T2181	4	CAPSCREW,SKT HD,10/24 X 3/4
5	24890	4	HEX NUT,10-24 NYLOCK
6	06520360	1	HOSE REEL,FIRE KIT,RAILKUT
7	21630	4	CAPSCREW, 3/8 x 1,NC
8	21627	8	NYLOCK NUT,3/8",NC
9	06520361	1	FILTER,FIRE KIT,RAILKUT
10	06520366	1	GUN,FIRE KIT,RAILKUT
11	06370120	1	STAND,FIRESYS,RAILKUT
12	06370121	1	HOLSTER,FIRESYS,RAILKUT
13	06430090	1	SLEEVE,GUN,FIRE SYS
14	21525	1	HEX NUT, 1/4" NC
15	06520380 - A	1	HOSE,.88O.D.x.50I.D.,BULK
16	06520380 - B	1	HOSE,.88O.D.x.50I.D.,BULK
17	06520380 - C	1	HOSE,.88O.D.x.50I.D.,BULK
18	35091	6	CLAMP, HOSE #10
19	21640	4	CAPSCREW,3/8" X 3-1/2" NC
20	22016	8	FLATWASHER,3/8"
21	06520367	1	ELBOW,3/4COUPLERx1/2BARB,NYLON
22	06520368	1	ELBOW,3/4COUPLERx1/2BARB,NYLON
23	06503108	2	ADAPTER,BARB,1/2x1/2MP
24	6T3222	1	DECAL,CONTROL,ON-OFF SWITCH
25	PT3905A	1	SWITCH,MOWER
-	06520364	1	FILTER SEAL
-	06520365	1	FILTER ELEMENT

FIRE SUPPRESSION SYSTEM WIRING



Denial Drive Controller Section 6 - 10

WARRANTY SECTION

WARRANTY INFORMATION

Tiger Corporation, 3301 N. Louise, Sioux Falls, South Dakota, warrants to the original Retail Customer, the new Tiger equipment is free of defects in material and workmanship. Any part of equipment that in Tiger's judgement, show evidence of such defects will be repaired or replaced without charge, provided that the failure of part(s) shall have occurred within twelve (12) months from the date of delivery of said equipment to the Retail Customer. Expendable components such as knives, oil, chain sprockets, skid shoes, knife mounting disks and the like are excluded but not limited to this warranty.

The Retail Customer must pay the transportation cost to and from the Tiger Dealer's service shop for warranty service. Warranty service will be performed by the Tiger Dealer from whom the equipment was purchased, during service shop regularly scheduled days and hours of operation.

All Tiger obligation under this warranty shall be terminated if the equipment is modified or altered in ways not approved in writing by Tiger, if repair parts other than genuine Tiger repair parts have been used, or if the equipment has been subject to misuse, neglect, accident, improper maintenance or improper operation.

Tiger Corporation reserves the right to make improvements in design or changes in specification at any time without incurring any obligation to owners of equipment previously sold.

No agent or person has authority to alter, add to or waive the above warranties which are agreed to be in the only warranties, representations or promises, expressed or implied, as to the quality or performance of the products covered and which do not include any implied warranty of merchantability or fitness. In no event will Tiger be liable for incidental or consequential damages or injuries, including, but not limited to, loss of profits, rental or substitute equipment or other commercial loss.

THERE ARE NO WARRANTIES WHICH EXTEND BEYOND THOSE EXPRESSED HEREIN.

It is the Purchasers obligation to sign the warranty registration form **AFTER** he / she has Read and Understands the Operation and Safety Instructions stated within this manual.

ONE LAST WORD

This manual cannot possibly cover all of the potentially hazardous situations you will encounter. By being familiar with the safety rules, operating and maintenance instructions in this manual you can help prevent accidents. The objective of this manual is to help make you a better operator. Remember, **SAFETY IS YOU!**



1012

Your safety and the safety of those around you depends on **YOU**. Common sense should play a large role in the operation of this machine.

Since we at Tiger Corporation are constantly striving to improve our products, we reserve the right to change specifications or design at any time.

TO THE OWNER / OPERATOR / DEALER



To keep your implement running efficiently and safely, read your manual thoroughly and follow these directions and the Safety Messages in this manual and on the machine. The table of contents clearly identifies each section where you can easily find the information you need.

The Occupational Safety and Health Act (OSHA 1928.51 subpart C) makes the following minimum requirements for tractor operators.

OWNER REQUIREMENTS:

1. Provide a Roll-Over-Protective Structure that meets the requirements of this Standard; and
2. Provide Seatbelts that meet the requirements of this Standard and SAE J3C; and
3. Ensure that each employee uses such Seatbelt while the tractor is moving; and
4. Ensure that each employee tightens the Seatbelt sufficiently to confine the employee to the protected area provided by the ROPS.

OPERATOR REQUIREMENTS:

1. Securely fasten seatbelt if the tractor has a ROPS.
2. Where possible, avoid operating the tractor near steep ditches, embankments, and holes.
3. Reduce speed when turning, crossing slopes, and on rough, slick, or muddy surfaces.
4. Stay off slopes too steep for safe operation.
5. Watch where you are going – especially at row ends, on roads, and around trees.
6. Do Not permit others to ride.
7. Operate the tractor smoothly – no jerky turns, starts, or stops.
8. Hitch only to the draw-bar and hitch points recommended by the tractor manufacturer.
9. When the tractor is stopped, set brakes securely and use park lock, if available



Printed in USA
© Tiger Corporation

Free Manuals Download Website

<http://myh66.com>

<http://usermanuals.us>

<http://www.somanuals.com>

<http://www.4manuals.cc>

<http://www.manual-lib.com>

<http://www.404manual.com>

<http://www.luxmanual.com>

<http://aubethermostatmanual.com>

Golf course search by state

<http://golfingnear.com>

Email search by domain

<http://emailbydomain.com>

Auto manuals search

<http://auto.somanuals.com>

TV manuals search

<http://tv.somanuals.com>