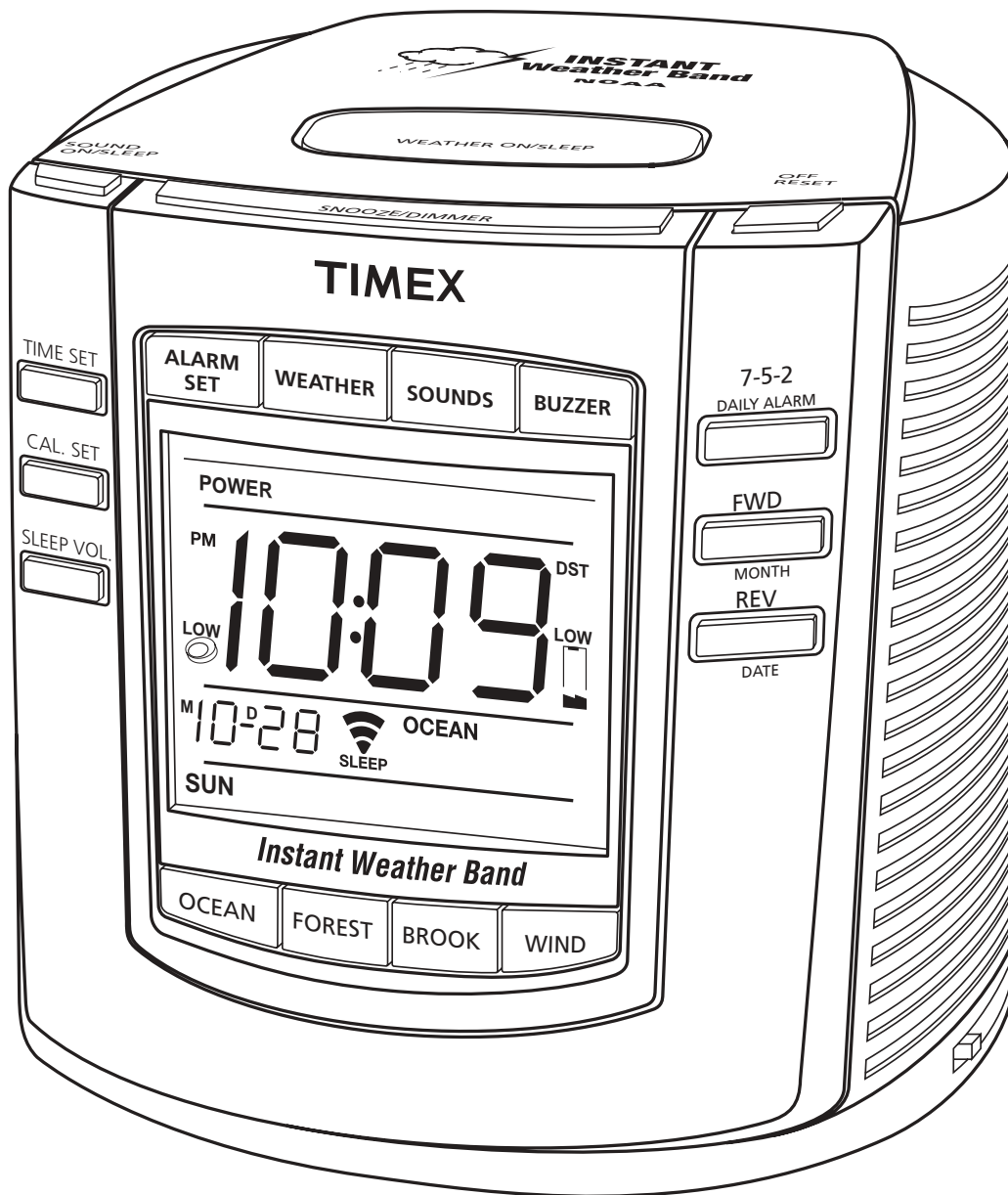
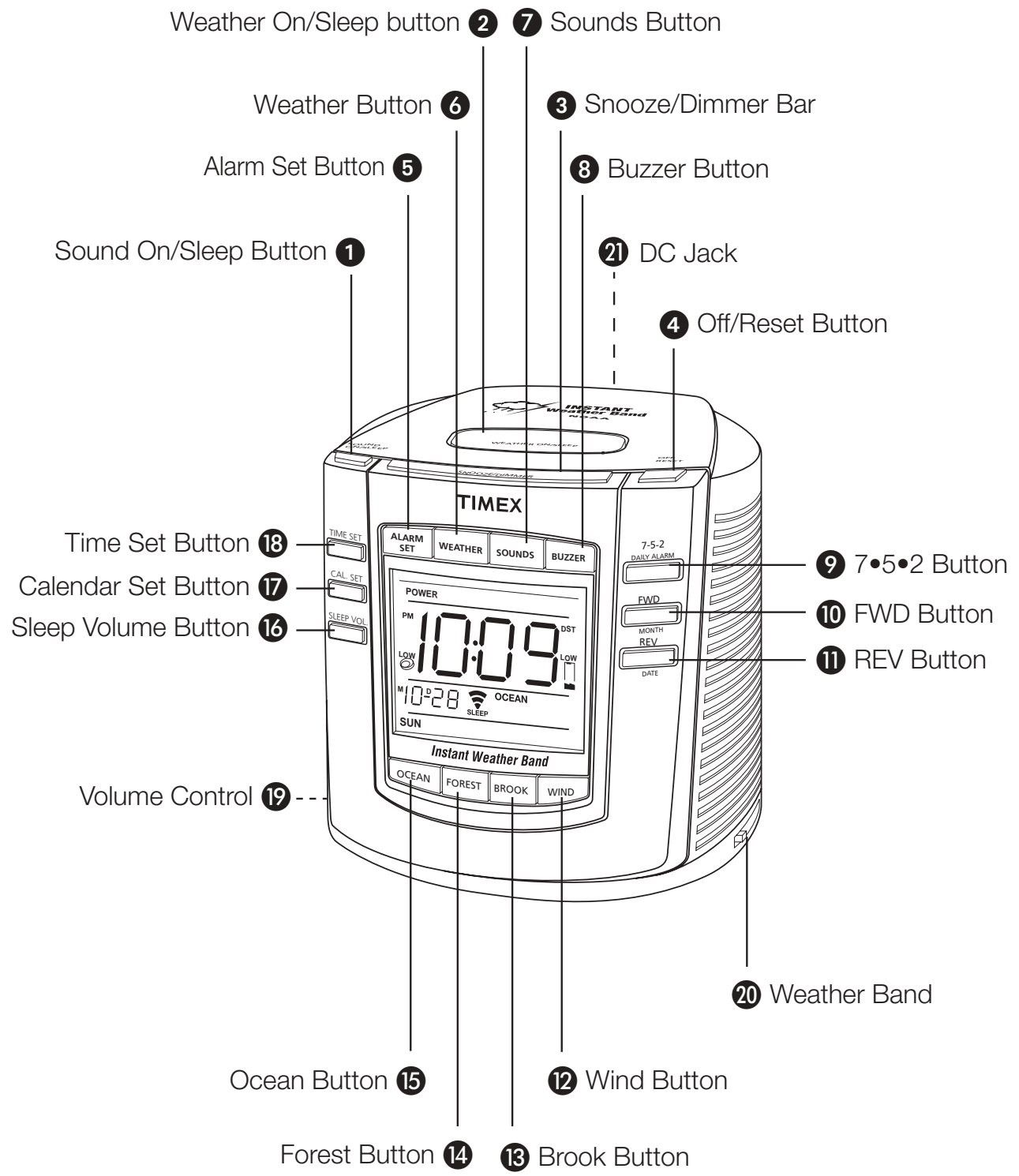


# TIMEX®

## **NOAA Instant-Weather Triple Alarm Clock with Nature Sounds**



*Model T150*



---

## Preparation for Use

---

### Preparation for Use

1. Remove the radio and all packing materials from the carton. You should save all the packing materials if the unit ever needs to be returned for service. If you do not wish to save the materials, please dispose of them properly.
2. Place the unit on a stable, level surface, close to an AC outlet, out of direct sunlight, and away from sources of excess dust, dirt, heat, water, moisture, vibration and strong magnetic fields.

---

## DC Operation

---


- This unit can operate on both AC and DC power. An AC adapter was included with this unit. For further instructions on operating this unit using AC power, see *AC Operation*.
- 3 “AA” alkaline batteries can operate the unit without AC power. They will also continue running the unit if it is operating on AC power and there is a power failure. For best results, you should always have fresh “AA” alkaline batteries installed in this unit.
- This unit comes with a CR-2032 lithium battery already installed. The CR-2032 is to maintain the time and alarm settings.

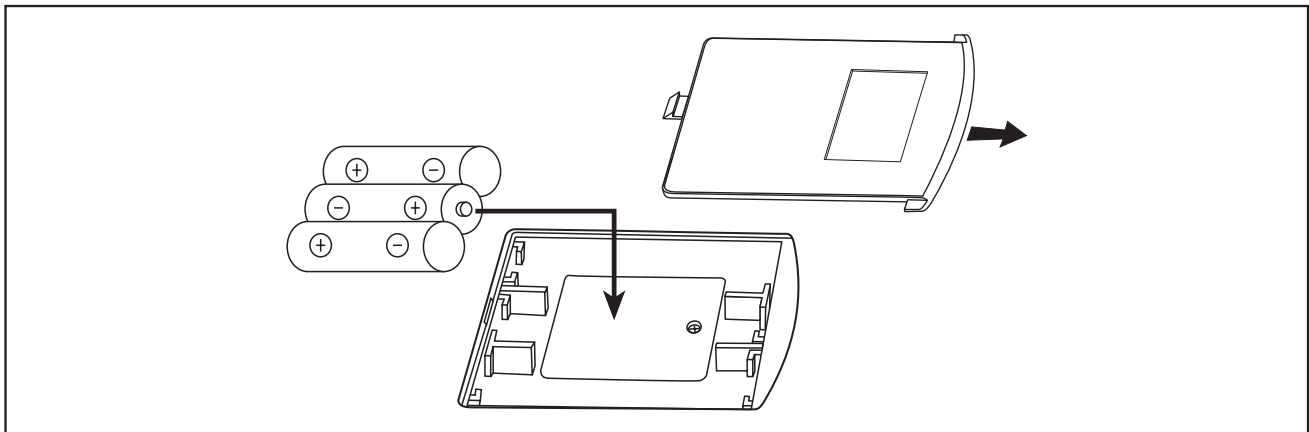
---

## 3 “AA” Main Battery Installation

---

1. Gently turn the unit over and remove the battery compartment door.
2. Install 3 “AA” alkaline batteries, while making sure that the + and – ends match up with those inside the battery compartment.
3. Close the battery compartment door and turn the unit right side up.

**Note: This unit was designed to operate on alkaline batteries only. You must use alkaline batteries with this unit.** When the batteries are getting weak the **Battery Low Icon** (  ) will flash on the right side of the display.




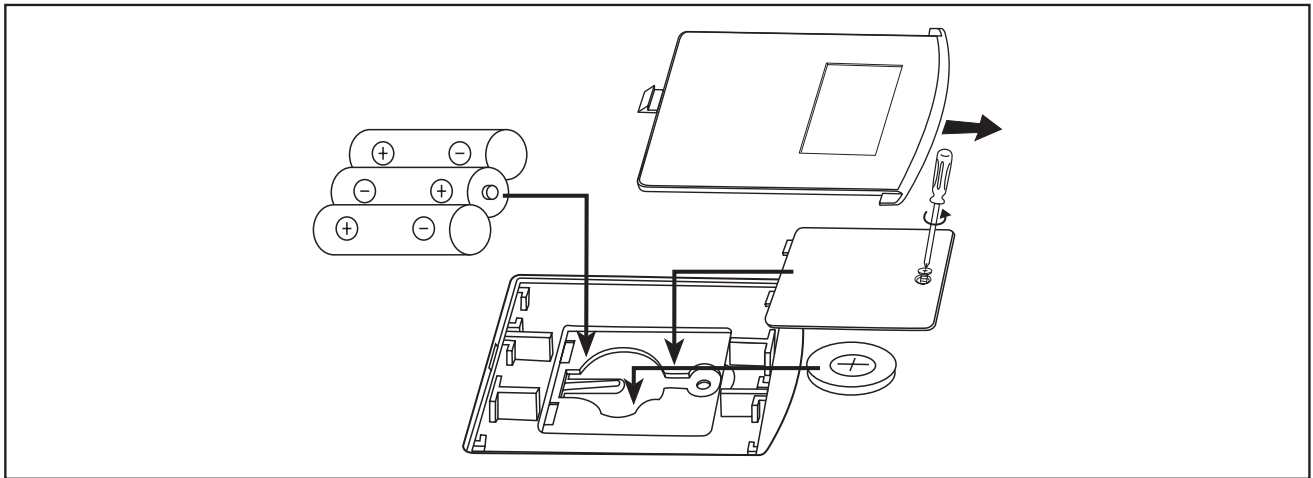
---

## Lithium Battery Backup Installation

---

1. Gently turn the unit over and open the battery compartment door. If necessary, remove the 3 “AA” batteries to get to the lithium battery door.
2. Loosen the screw and remove the lithium battery door.
3. Replace the CR-2032 lithium battery, while making sure that the + and – ends match up with the markings inside the battery compartment.
4. Place the door back on and tighten the screw, then reinstall the 3 “AA” batteries and close the battery compartment door.

**Note:** This unit comes equipped with a CR-2032 lithium battery used for battery backup purposes only. When the lithium battery is getting weak the **Lithium Battery Low Icon** (  ) will flash on the left side of the display.



---

## Battery Backup System

---

If the unit is being operated through AC power and there is a power interruption, the 3 “AA” batteries will takeover and run the unit. All settings, alarms, and instant weather will operate.

If the unit is operating through DC power (3 “AA” batteries) and there is a power interruption, then the lithium battery (CR-2032) will maintain the time and alarm time settings and operate the sure alarm. The sure alarm will default all alarms to buzzer and turn on for 2 minutes.

All settings will be lost if there is a power failure and no batteries are installed.

---

## AC Adapter Operation

---

- Plug the supplied AC adapter into the **⑫ DC Jack** on the back of the unit, then plug the cord into an outlet.
- If you are using a different AC adapter than the one supplied, make sure that it is a 6V, 300mA Positive Center AC adapter.

---

## Setting the Clock Time and Calendar

---

### Important

- While setting the time or calendar, if you do not press the appropriate buttons (as explained below) within approximately 8 seconds the display will stop flashing. If this happens you must follow the steps again from step 1.
- While setting the time, if you press and hold the **⑩ ⑪ FWD** or **REV** button the minutes will begin at a moderate pace, then get faster. This will assist you in setting the time both fast and exact.

### Setting the Clock Time

1. Press and hold the **⑬ Time Set** button until the display begins flashing.
2. Press the **⑩ ⑪ FWD** or **REV** button to set the correct time. REMEMBER to set the correct AM or PM. The **PM Indicator** is located on the upper left side of the display.
3. Press the **⑬ Time Set** button to return to normal mode. A beep will confirm that the time is set.

---

### Setting the Calendar

---

1. Press and hold the **⑰ Calendar Set** button until the display begins flashing.
2. Press the **⑩ FWD (Month)** button to set the correct month.
3. Press the **⑪ REV (Date)** button to set the correct day.
4. Press the **⑰ Calendar Set** button to return to normal mode. A beep will confirm that the calendar is set.

---

### Listening to Instant Weather

---

Fully extend the wire antenna and vary the direction for the strongest signal.

**Important** – If the **② Weather On/Sleep** button is pressed more than **once** the unit will enter the sleep mode. At the bottom of the display the calendar will change to the **Sleep Time Indicator** (90, 60, 30, 15). The **Sleep Volume Indicator** will also appear at the bottom of the display. Press the **④ Off/Reset** button to turn the weather off, then press the **② Weather On/Sleep** button again (only **once**).

1. Press the **2 Weather On/Sleep** button **once** to turn on the NOAA weather report.
2. Slide the **20 Weather Band** switch to find the number position that has the best reception for your area. They are as follows:
  - 1 – 162.475MHz
  - 2 – 162.450MHz
  - 3 – 162.400MHz
  - 4 – 162.425MHz
  - 5 – 162.525MHz
  - 6 – 162.500MHz
  - 7 – 162.550MHz
3. Adjust the **19 Volume** control as desired.
4. Press the **4 Off/Reset** button to turn the weather report off.

### Important Information Regarding Weather Broadcasts

- The weather band broadcast transmission is a very low power and not the same as the transmission of FM radio broadcasts.
- Weather band stations are located in specific geographical locations and terrain, which means the area in which you live may not be within the range of such a station. If you receive AM/FM stations in your area without a problem, but cannot receive weather band information, you may be beyond the range of the nearest weather station.
- To help improve the reception, move the antenna or rotate the unit until you get the best reception. Reception also varies from daytime to nighttime.

---

## Listening to Nature Sounds

---

**Important** – If the **1 Sound On/Sleep** button is pressed more than **once** the unit will enter the sleep mode. At the bottom of the display the calendar will change to the **Sleep Time Indicator** (90, 60, 30, 15). The **Sleep Volume Indicator** will also appear at the bottom of the display. Press the **4 Off/Reset** button to turn the weather off, then press the **2 Weather On/Sleep** button again (only **once**).

1. Press the **1 Sound On/Sleep** button **once** to turn on the nature sounds.
2. Press any of the four nature sound buttons **12 13 14 15 (Wind, Brook, Forest, Ocean)**.
3. Adjust the **19 Volume** control as desired.
4. Press the **4 Off/Reset** button to turn the nature sounds off.

**Note:** If you are going to wake to nature sounds, then the last nature sound you listen to will be the same nature sound you wake to when the alarm sounds, unless the controls are changed.

---


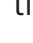

## Alarm Operation

---

### Important

- While setting the alarm times, if you do not press the appropriate buttons (as explained below) within approximately 8 seconds the display will stop flashing. If this happens you must follow the steps again from step 1.
- While setting the alarm times, if you press and hold the **10 11 FWD** or **REV** button the minutes will begin at a moderate pace, then get faster. This will assist you in setting the time both fast and exact.

### Setting the Alarm Time(s)

1. Press the **5 Alarm Set** button until the **Alarm Indicator** that you wish to wake to appears on the top of the display (  Weather,  Sounds,  Buzzer) and the alarm time is flashing.
2. Press the **10 11 FWD** or **REV** button to set the correct alarm time. REMEMBER to set the correct AM or PM. The **PM Indicator** is located on the upper left side of the display.
3. Press the **9 7•5•2** button to set the alarm for 7, 5, or 2 days a week. The **Days of the Week Indicators** are located at the back of the display.
4. Repeatedly press the **5 Alarm Set** button until the display returns to normal mode. A beep will confirm that the alarm time is set.

---

## “Wake to” Operation

---

### Wake to Instant Weather

1. Set the Instant Weather alarm time as indicated under *Setting the Alarm Time(s)*.
2. Follow the instructions under *Listening to Instant Weather* to tune into the best weather station possible. The last **20 Weather Band** you listen to will be the one you wake to when the alarm turns on unless the controls are changed.
3. Adjust the **19 Volume** control to find the volume level that you wish to wake to.
4. Press the **6 Weather** button. The **Weather Alarm Indicator** will appear on the top of the display. The weather alarm is set to turn on at the time it is set for.



---

## Wake to Nature Sounds

---

1. Set the Nature Sounds alarm time as indicated under *Setting the Alarm Time(s)*.
2. Follow the instructions under *Listening to Nature Sounds* to listen to the nature sounds of your choice. **Play the nature sound you wish to wake to before turning the unit off.** The last nature sound that is played will be the same nature sound that will play when the alarm turns on.
3. Adjust the **19 Volume** control to find the volume level that you wish to wake to.
4. Press the **7 Sounds** button. The **Sounds Alarm Indicator** will appear on the top of the display. The weather alarm is now set to turn on at the time it is set for.

## Wake to Buzzer

1. Set the Buzzer alarm time as indicated under *Setting the Alarm Time(s)*.
2. Press the **8 Buzzer** button. The **Buzzer Alarm Indicator** will appear on the top of the display. The buzzer alarm is now set to turn on at the time it is set for.

## Turning Off the Alarm(s)

1. After the alarm sounds, press the **4 Off/Reset** button to turn off the alarm. The alarm will be automatically reset to turn on at the same time the following day.

**Note:** If more than 1 alarm is set, when you press the **4 Off/Reset** button to stop the alarm from sounding, this will not affect the other alarm(s) from turning on at the time(s) they are set for.

2. To cancel any or all three of the alarms from turning on simply press the **6 Weather** button, **7 Sounds** button, or **8 Buzzer** button until the alarm indicator(s) disappear from the top of the display.
3. If the alarm is not turned off after it sounds it will play for approximately 1 hour then turn off automatically. This cycle will repeat everyday the alarm is set for (7•5•2) unless the controls are changed.

---

## Snooze/Dimmer Operation

---

1. If you press the **3 Snooze/Dimmer** bar after the alarm sounds, the alarm will turn off for approximately 9 minutes then turn back on.
2. Using AC power, adjust the display's back lighting by pressing the **3 Snooze/Dimmer** for Hi/Med/Low. Using DC power, press the **3 Snooze/Dimmer** to turn on the back light for 5 seconds.



---

## Sleep to Instant Weather

---

1. Press the **2 Weather On/Sleep** button **twice** to enter the sleep mode. The calendar will change to the **Sleep Time Indicator** (S-90, S-60, S-30, S-15).
2. Repeatedly press the **2 Weather On/Sleep** button to choose the sleep time in 90, 60, 30, and 15 minute increments.
3. Follow the instructions under *Listening to Instant Weather* to tune into the best weather station possible. REMEMBER if you are going to **wake** to instant weather, the weather band that you set to “sleep to” will be the same that you will “wake to” unless the controls are changed.
4. Press the **16 Sleep Volume** button to adjust the sleep volume. The **Sleep Volume Indicator** is located at the bottom of the display when the unit is in the sleep mode. You can also adjust the main volume with the **19 Volume** control. If you use the **19 Volume** control, this will also affect your “wake to” volume if you are waking to instant weather.
5. Press the **4 Off/Reset** button if you wish to turn off the instant weather before the time has elapsed.

---

## Sleep to Nature Sounds

---

1. Press the **1 Sound On/Sleep** button **twice** to enter the sleep mode. The calendar will change to the **Sleep Time Indicator** (S-90, S-60, S-30, S-15). Repeatedly press the **1 Sound On/Sleep** button to choose the sleep time in 90, 60, 30, and 15 minute increments. Follow the instructions under *Listening to Nature Sounds* to choose the nature sound of your choice. REMEMBER if you are going to **wake** to nature sounds, the nature sound that you set to “sleep to” will be the same that you will “wake to” unless the controls are changed.
2. Press the **16 Sleep Volume** button to adjust the sleep volume. The **Sleep Volume Indicator** is located at the bottom of the display when the unit is in the sleep mode. You can also adjust the main volume with the **19 Volume** control. If you use the **19 Volume** control, this will also affect your “wake to” volume if you are waking to nature sounds.
3. Press the **4 Off/Reset** button if you wish to turn off the nature sound before the time has elapsed.

---

## Maintenance

---

1. Protect your furniture when placing the unit on a natural wood and lacquered finish. A cloth or other protective material should be placed between the unit and the furniture.
2. You may clean your unit with a soft cloth moistened only with mild soap and water. Stronger cleaning agents can mar the surface of the case.

This device complies with part 15 of the Federal Communications Commission Rules. Operation is subject to the following two conditions: (1) this device may not cause harmful interference, and (2) this device must accept any interference received, including interference that may cause undesired operation.

### **Important Radio FCC Information**

Warning: Changes or modifications to this unit not expressly approved by the party responsible for compliance could void the user's authority to operate the equipment.

Note: This equipment has been tested and found to comply with the limits for a Class B digital device, pursuant to Part 15 of the FCC Rules. These limits are designed to provide reasonable protection against harmful interference in a residential installation. This equipment generates, uses and can radiate radio frequency energy and, if not installed and used in accordance with the instructions, may cause harmful interference to radio communications.

However, there is no guarantee that interference will not occur in a particular installation. If this equipment does cause harmful interference to radio or television reception, which can be determined by turning the equipment off and on, the user is encouraged to try to correct the interference by one or more of the following measures:

- Reorient or relocate the receiving antenna.
- Increase the separation between the equipment and receiver.
- Connect the equipment into an outlet on a circuit different from that to which the receiver is needed.
- Consult the dealer or an experienced radio/TV technician for help.

---

## Limited 90 Day Warranty

---

Timex Audio Products, Division of SDI Technologies Inc., warrants this product to be free from defects in workmanship and material under normal use and conditions for a period of 90 days from the date of original purchase.

Should service be required by reason of any defect or malfunction, it is best to first return this product and all parts thereof, to the store where it was originally purchased. If you need to send the product for service, and it is during the first 90 days of the warranty period, SDI Technologies Inc. will repair, or at its discretion, replace this product with proof of purchase, without charge (except for a \$3.00 charge for handling, packing, return UPS/postage and insurance). After 90 days the cost of labor is the customer's responsibility. The fee for service after the warranty period or without proof of purchase is \$6.00.

Before returning this product for service, replace the batteries (if applicable) with fresh ones, because exhausted or defective batteries are the most common cause of problems encountered.

If service is still required:

1. Remove the batteries (if applicable) and pack the unit in a well padded, heavy corrugated box.
2. Enclose a photocopy of your sales receipt, credit card statement, or other proof of the date of purchase, if within the warranty period.
3. Also enclose a check or money order payable to the order of SDI Technologies Inc., for the sum of \$3.00 (or \$6.00 after the warranty period).
4. Send the unit prepaid and insured, to the Factory Service Center listed below.

Consumer Repair Department  
SDI Technologies Inc.  
Timex Audio Products Division  
1401 Pullman Drive, Suite A  
El Paso, TX 79936-7726

Please Note: This warranty is valid only in the United States of America. Any applicable implied warranties are also limited to 90 days, and SDI Technologies Inc. will not be liable for consequential damages. (Some states do not allow limitations on implied warranties or exclusions of consequential damages, so that these restrictions may not apply to you). This warranty gives you specific legal rights, and you may also have other rights, which vary from state to state.

**For questions or comments regarding this or other products, please call our toll-free number 1-800-888-4491.**

**TIMEX is a registered trademark of Timex Corporation in the U.S. and other countries.**

**For additional information, online registration,  
and exclusive special offers visit our website:**

**[www.sdidirect.com](http://www.sdidirect.com)**

**For questions or comments regarding this or other products,  
please call our toll-free number 1-800-888-4491.**

**Para instrucciones en Español, llame al 1-800-888-4491.**

## Free Manuals Download Website

<http://myh66.com>

<http://usermanuals.us>

<http://www.somanuals.com>

<http://www.4manuals.cc>

<http://www.manual-lib.com>

<http://www.404manual.com>

<http://www.luxmanual.com>

<http://aubethermostatmanual.com>

Golf course search by state

<http://golfingnear.com>

Email search by domain

<http://emailbydomain.com>

Auto manuals search

<http://auto.somanuals.com>

TV manuals search

<http://tv.somanuals.com>