

Connect *Io*[™]

INTELLIGENT OVEN[™]

Use & Care Manual



Connect Io[™] Intelligent Oven[™]
Model PS302SS00 Professional Series,
Refrigerated, Internet Controlled,
30" Electric Double Wall Oven



Your Lifestyle, Your Dinner, Your Time.

TMIO LICENSE AGREEMENT
[TMIO Operating System] (the “Software”)

1. ATTENTION!

YOU SHOULD CAREFULLY READ THE FOLLOWING TERMS AND CONDITIONS BEFORE INSTALLING OR POWERING UP THIS APPLIANCE. **OPENING THE PACKAGING ON THIS APPLIANCE AND/OR POWERING UP THE APPLIANCE OR ANY COMPONENT THEREOF MEANS YOU ACCEPT THESE TERMS AND CONDITIONS AND UNDERSTAND THAT THEY WILL BE LEGALLY BINDING ON YOU, ANY END USER, AND THE COMPANY.** IF YOU DO NOT AGREE WITH THEM, OR DO NOT WANT THEM TO BE BINDING ON YOU, YOU SHOULD PROMPTLY RETURN THE APPLIANCE TO THE POINT OF PURCHASE FOR A FULL REFUND.

2. OWNERSHIP

It is hereby understood and agreed by you that TMIO, LLC, with offices at 1220A Flynn Street, Chattanooga, TN 37403 (LICENSOR) is the owner of all right, title and interest to the Software (SOFTWARE) recorded on the enclosed appliance and all subsequent copies thereof, regardless of the media or form in which the original or copies may exist. You as licensee (LICENSEE) through your purchase of this product do not acquire any ownership rights to the Software. The Licensee owns the appliance on which the Software is recorded, but the Licensor retains ownership of all copies of the Software itself. The Licensee assumes sole responsibility for the installation, use and results obtained from use of the Software.

3. LICENSE

A. In consideration of the payment of a license fee, which is a percentage of the price paid by Licensee for this product, Licensor hereby grants Licensee a non-exclusive right to use and display this copy of the Software on a single appliance on the incorporated video screen at the appliance’s location.

B. The Software is protected by copyright law. You expressly agree to not reverse engineer, copy, transfer, decompile or otherwise modify, attempt to modify the Software.

C. All rights not expressly granted are hereby reserved by Licensor.

4. TERM

A. The license is effective until terminated.

B. This license will terminate upon conditions set forth elsewhere within this Agreement or if Licensee fails to comply with any term or condition of this Agreement. In such event, no notice shall be required by Licensor to effect such termination.

C. Upon termination of this Agreement, Licensee agrees to destroy the Software together with all printed or written materials, and merged portions in any form, or return same to Licensor at Licensee’s expense.

5. RESTRICTIONS ON USE

Licensee shall not, without Licensor’s express written consent:

1. Copy or reproduce the Software;
2. Electronically transfer the Software through a LAN (local area network) or other network system or through any computer subscriber system or “bulletin board” system; or
3. Modify, adapt or create derivative works based on the Software or any accompanying materials.

6. RESTRICTIONS ON TRANSFER

A. Licensee may transfer the Software and this license to another party in connection with a transfer of the appliance provided the other party agrees to accept the terms and conditions of this Agreement.

B. Licensee shall not sublicense, assign, or transfer the license or the Software except as expressly provided in this Agreement. Any attempt otherwise to sublicense, assign, or transfer any of the rights, duties, or obligations hereunder renders this license VOID.

7. UPDATES

In the event that upgraded versions of the Software are developed, Licensor may, at its discretion, make such updates available to those Licensees that are connected to the Internet and have registered on-line in the “Registration” portion of the user interface.

8. USAGE DATA

TMIO, LLC reserves the right to collect usage information regarding your use of the Software and the Appliance. You expressly consent to the collection of such usage data by TMIO, LLC for purposes including, but not limited to resolving issues, generating upgrades, providing service and repairs, and for transmission to third-parties in connection with an unresolved insurance claim or other legal proceeding. The usage data may include, but need not be limited to, frequency of use, temperatures, length of usage, features used, commands used, and other relevant information regarding your use of the Software and/or Appliance. This data may be collected via service call, upgrade installation, remotely via an Internet connection or via any other communications employed by the Appliance and TMIO, LLC. At no time will TMIO, LLC divulge any personal confidential information to a third party without your consent or pursuant to a valid court order.

9. LIMITED WARRANTY

A. To the best of Licensor's knowledge, your use of the Software in accordance with its printed documentation will not, in and of itself, infringe any third party's copyright, patent, or other intellectual property right.

B. TO THE EXTENT PERMITTED BY APPLICABLE LAW, THE SOFTWARE IS PROVIDED "AS IS" WITHOUT WARRANTY OF ANY KIND, EITHER EXPRESS OR IMPLIED, INCLUDING, BUT NOT LIMITED TO, THE IMPLIED WARRANTIES OF MERCHANTABILITY AND FITNESS FOR A PARTICULAR PURPOSE BEYOND THE TERMS OF OUR STANDARD LIMITED WARRANTY FOR THE APPLIANCE. LICENSOR DOES NOT WARRANT THAT THE FUNCTIONS CONTAINED IN THE SOFTWARE WILL MEET YOUR REQUIREMENTS OR THAT THE OPERATION OF THE SOFTWARE WILL BE UNINTERRUPTED OR ERROR FREE.

TAMPERING WITH THE SOFTWARE, HARDWARE OR ANY OTHER COMPONENT COVERED UNDER THIS LICENSE AGREEMENT VOIDS THE ENTIRE LIMITED WARRANTY OF THE APPLIANCE AND THE DESIGN/LISTING CERTIFICATION OF THE NATIONALLY RECOGNIZED TESTING LABORATORY. THIS PRODUCT HAS BEEN CERTIFIED TO THE NATIONAL STANDARDS AS INDICATED ON THE EQUIPMENT RATING PLATE. ANY MODIFICATION WITHOUT THE WRITTEN PERMISSION OF TMIO, LLC IS PROHIBITED.

10. REMEDIES

To the extent permitted by applicable law, in no event will Licensor be liable for any damages, including but not limited to, lost profits, lost savings, or other incidental or consequential damages arising out of the use or inability to use such program even if Licensor or its authorized dealer has been advised of the possibility of such damages, or for any claim by any other party.

11. QUESTIONS

All questions concerning this Agreement must be directed to TMIO, LLC, Customer Service, 1220A Flynn Street, Chattanooga, TN 37403, or by telephone at 1.800.881.TMIO (8646).

12. JURISDICTION AND DISPUTES

A. This Agreement and the Limited Warranty shall be governed by the laws of the State of Ohio.

B. All disputes hereunder shall be resolved in the applicable state or federal courts of the State of Ohio. The parties consent to the jurisdiction of such courts, agree to accept service of process by mail, and waive any jurisdictional or venue defenses otherwise available.

13. INTEGRATION

This Agreement constitutes the entire understanding of the parties, and revokes and supersedes all prior agreements, oral or written, between the parties, and is intended as a final expression of their Agreement. It shall not be modified or amended except in writing signed by the parties hereto and specifically referring to this Agreement. This Agreement shall take precedence over any other documents that may be in conflict therewith.

LICENSEE HEREBY ACKNOWLEDGES THAT IT HAS READ THIS AGREEMENT, UNDERSTANDS IT AND AGREES TO BE BOUND BY ITS TERMS AND CONDITIONS.

TABLE OF CONTENTS

Safety Instructions	2	Defrost.....	23
Features of Your Oven		Dehydrate.....	23
Parts Identification.....	3	Proof	23
Location of Model and Serial Number	4	Sabbath/Holiday	
Oven Rack Positions.....	4	Sabbath.....	24-25
Operating Instructions		Holiday	25-26
Using the Oven Display.....	5	Self Clean (Green Clean).....	26-27
Kitchen Timer.....	6	Oven Service	
Calendar.....	6	Touch Calibration	27
My Oven		Software Update	28
Preferences		Oven Reset	28
Brightness	6	Circuit Breaker	28
Sleep Mode	7	Enable Demo Mode	28
Volume.....	7	Oven Diagnostics.....	29
Units	8	Power Failure	29
Temperature Offset.....	8	Do-It-Yourself Maintenance	
Set Date & Time.....	9	Cleaning Methods.....	30
Set Alerts	10	Refrigeration Unit Cleaning.....	30
Notepad	10	Oven Light Assembly	30
Cooking Guide	11	Troubleshooting	
Contact Information	11	Fault Codes.....	30
Network Settings	12	Cooking Charts	
Remote Access.....	12	Bake Chart	31
Remote Control of Your Oven		Meat Chart	32
Phone.....	13	Poultry Chart.....	33
Computer	13	Broiling Chart	34
Refrigerate	14	Warranty	35
Cook Now.....	14-15		
Cook Later	16-17		
My Favorites (storing favorite recipes)			
Selecting A Dish.....	17-18		
Add A Dish	18-19		
Edit Dish.....	19		
Delete Dish.....	20		
Probe Cooking	20-22		
Broil	22-23		

SAFETY INSTRUCTIONS

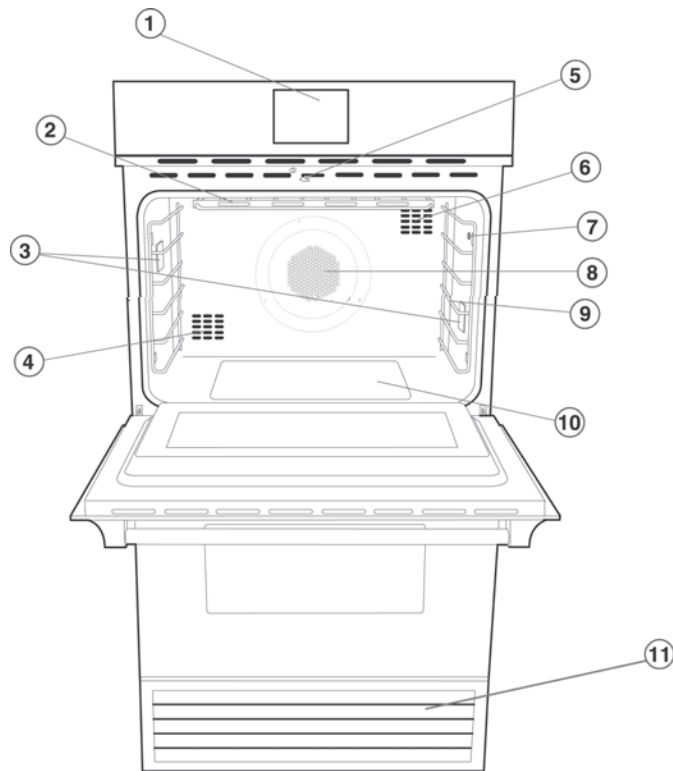
WARNING

TO REDUCE THE RISK OF FIRE, ELECTRICAL SHOCK, INJURY TO PERSONS, OR DAMAGE, PLEASE READ ALL INSTRUCTIONS CAREFULLY BEFORE USING THIS OVEN.

- ◆ Before installation make sure the voltage and frequency listed on the data plate correspond with the household electrical supply. This data must correspond to prevent injury and machine damage.
- ◆ This appliance must be properly installed and grounded by a qualified technician.
- ◆ Do not replace or repair any part of oven unless by an authorized service technician.
- ◆ Do not operate this appliance if it is not working properly or if it has been damaged, until an authorized service technician has examined it.
- ◆ Do not cover or block any vent ducts or openings on appliance.
- ◆ Do not use oven to warm or heat a room. This can damage the oven parts.
- ◆ Do not leave children alone or unattended in area where oven is in use.
- ◆ Do not lean, sit, stand or place heavy items on the open oven door.
- ◆ Loose-fitting or hanging garments should never be worn while using the oven.
- ◆ Do not use the cavity for storage purposes. Do not leave paper products, cooking utensils or food in the cavity when not being used.
- ◆ Flammable materials should not be stored in oven.
- ◆ If materials inside the oven should ignite, keep oven door closed. Turn oven off and disconnect circuit at the circuit breaker box.
- ◆ Do not use water on a grease fire. Smother fire or use a dry chemical or foam-type extinguisher.
- ◆ To prevent burns, allow the heating element to cool completely before cleaning by hand.
- ◆ Be sure the blower fan runs whenever the oven is in operation. If fan does not operate, do not use the oven and call for service.
- ◆ Always open door carefully to allow hot air or steam to escape before placing or removing food.
- ◆ Never add water to food on a hot tray or pan or directly onto food in a hot oven. The steam created could cause serious burns or scalds.
- ◆ Do not heat unopened food containers. Build-up of pressure may cause the container to burst and result in injury.
- ◆ Do not slide pots or pans on the oven floor. This could scratch and damage the surface.
- ◆ Only use the TMIO meat probe supplied with the oven. Contact the TMIO Customer Service Department if you need to purchase a new probe.
- ◆ To prevent damage, remove meat probe from oven when not being used.
- ◆ Do not let aluminum foil, metal objects or the meat probe come in contact with the broil element as it could break the element.
- ◆ Clean only parts listed in this manual.
- ◆ Do not clean door gasket. It is essential for a good seal. Care should be taken not to rub, damage, move or remove door gasket.
- ◆ Do not use commercial oven cleaners or oven liner protective coatings of any kind in or around any part of the oven.
- ◆ Before self-cleaning the oven, remove any food, broiler pan, oven racks, other utensils and excess soft spillage.
- ◆ During the self-cleaning function the oven will become very hot. Keep children away from an oven in use.
- ◆ Listen for fan. A fan noise should be heard intermittently during the cleaning cycle. If no fan is heard, call for service.
- ◆ Use only dry potholders. Moist or damp potholders on hot surfaces may result in burns from steam. Do not let potholder touch hot heating elements. Do not use a towel or other bulky cloth.
- ◆ Always place oven racks in desired location while oven is cool. If rack must be moved while oven is hot, do not let potholder contact hot heating element in oven.
- ◆ To prevent burns, do not touch, or let clothing or other flammable materials contact heating elements, interior surfaces, oven vent openings, oven doors, or windows of oven doors until they have had sufficient time to cool. Heating elements may be hot even though they are dark in color. Interior surfaces become hot enough to cause burns.

FEATURES OF YOUR OVEN

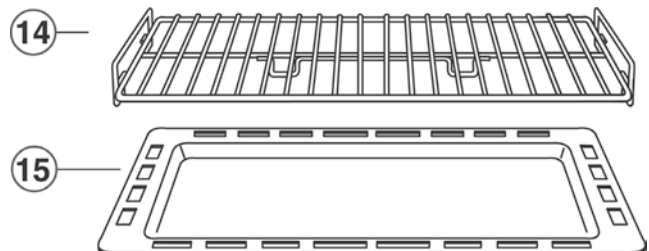
Parts Identification



- | | |
|-----------------------------|---------------------------------|
| ① LCD Touch Screen | ⑦ Meat probe receptacle |
| ② 10 Pass broil element | ⑧ Third Element Convection fan |
| ③ (2) 20w Halogen lights | ⑨ 5 Level porcelain rack guide |
| ④ Refrigeration return vent | ⑩ Hidden bake element |
| ⑤ Self clean door lock | ⑪ Advanced refrigeration system |
| ⑥ Refrigeration inlet | |

⑫

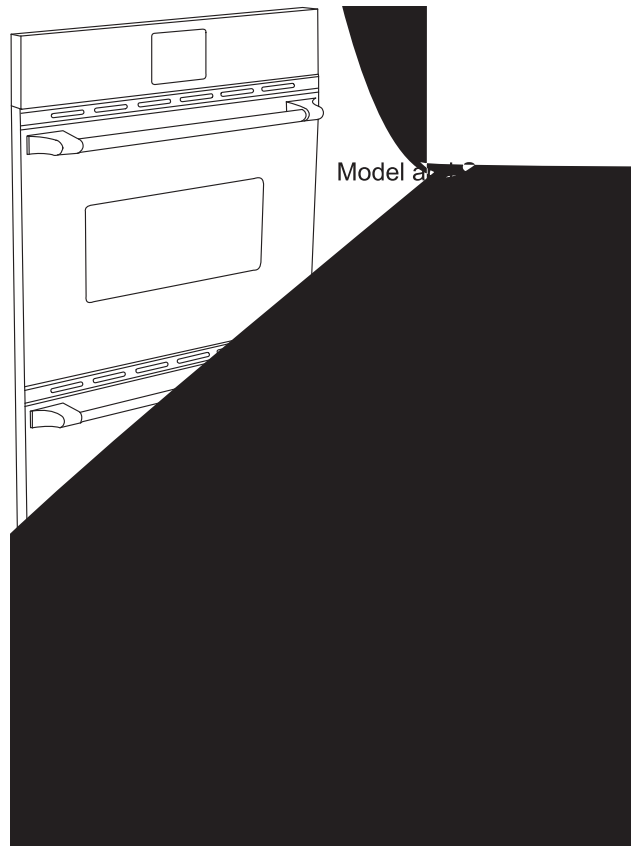
⑬



- | |
|---|
| ⑫ (1) RJ45 Network Jack |
| ⑬ (2) 110V Receptacle for Wireless Bridge |
| ⑭ Broiler Rack |
| ⑮ Porcelain Broiler Pan |

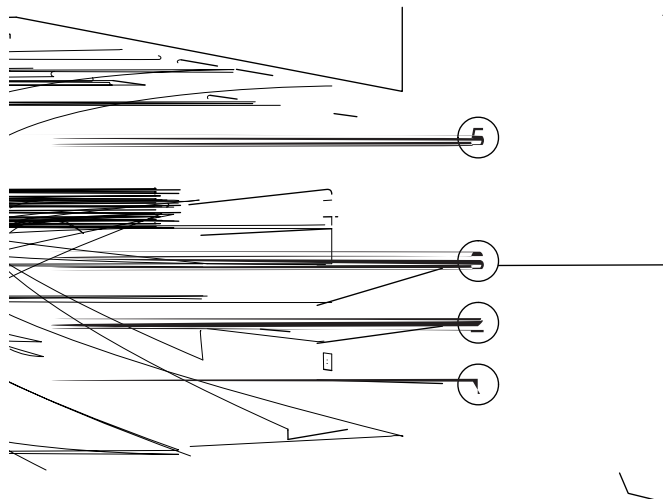
FEATURES OF YOUR OVEN

Location of Model and Serial Number



You can also find this information under My Oven / Contact Info / Registration tab.

Oven Rack Positions



Rack position 1 is closest to the bottom and position 5 is closest to the top.

OPERATING INSTRUCTIONS

Using the Oven Display

The oven is equipped with a full color 3M Touch screen control panel

The **Main Screen** of the oven

Controls Refrigerate, Cook Now, Cook Later, My Favorites Menus, Light Switches, My Oven, and Kitchen Timer.

Additional oven control can be found under **My Oven**

You can also find oven control under **My Oven / Preferences**

Note: Selecting Main Menu from this screen will take you back to the Main Screen

You can also find oven control under **My Oven / Oven Service**

Note: Selecting Main Menu from this screen will take you back to the Main Screen

The **My Favorites** buttons use a preset dish, add a dish, edit dish, and delete dish from your My Favorites dish list for either Cook Now or Cook Later

OPERATING INSTRUCTIONS

Kitchen Timer

The Kitchen Timer can be used to time things without turning the oven on. An audible alarm will sound when the timer expires.

From the Main Screen

- Select the **Kitchen Timer** button
 - Using the keypad, enter the desired time
 - Select **OK** to start Timer or **Cancel** to discard settings and return to the Main Screen
-
- Remaining time will appear on the Main Screen under Kitchen Timer
 - To turn off the Timer once finished, select the Kitchen Timer button
 - To cancel during time cycle, select the Kitchen Timer button

Calendar

The Calendar displays a calendar of the current month, with the current date highlighted. The arrow buttons on the Calendar may be used to view previous or future months.

From the Main Screen

- Select **My Oven** drop down
- Select **Calendar**
- View Calendar from this screen
- Select **OK** to return to the Main Screen

MY OVEN

Preferences

Brightness

Controls how bright or dim the screen is.

From the Main Screen

- Select **My Oven** drop down
- Select **Preferences**
- Select **Brightness**
- Place your finger on the slider button and drag it to the desired brightness setting
- Select **OK** to save settings and return to the Main Screen, or **Cancel** to discard the settings and return to the Main Screen

MY OVEN

Preferences

Sleep Mode

The Sleep Mode preference controls what is displayed when the oven is idle for 5 minutes or more, once a sleep mode has been selected. Note: The sleep mode display will not be shown while the oven is cooking or refrigerating.

From the Main Screen

- Select **My Oven** drop down
- Select **Preferences**
- Select **Sleep Mode**
- Select the desired **Sleep Mode** display
 - **None** will disable the sleep mode
 - **Slideshow** will display your favorite photos. To upload photos you must first setup Remote Access (see **My Oven / Remote Access**). Once logged on to your oven select the “Manage Photos” link above your oven screen. This will open a new browser window for you to display, upload, and delete your photos. To upload your photos, select Browse to choose the location where your photos are stored and select Open. Then, select Upload. Only one (1) photo can be uploaded at a time.
 - **Blank Screen** will display a blank (or black) screen
 - **Weather** will display a date and time along with current weather information for the zip code provided in the **My Oven / Contact Info** screen. The weather information is updated every fifteen minutes. The oven must be connected to the Internet in order to display weather information. See **My Oven / Network Settings** for information on connecting to the Internet.
- Select **OK** to save settings and return to the Main Screen, or **Cancel** to discard the settings and return to the Main Screen

Note: To show the sleep mode display immediately, without waiting, select **My Oven / Sleep Mode**

Volume

The volume feature is used to adjust the oven’s speaker volume.

From the Main Screen

- Select **My Oven** drop down
- Select **Preferences**
- Select **Volume**
- Place your finger on the slider button and drag it to your desired speaker volume
- Select **OK** to save settings and return to the Main Screen, or **Cancel** to discard the settings and return to the Main Screen

MY OVEN

Preferences

Set Date & Time

The Set Date & Time feature sets the oven clock. Two time modes are available by setting the USE INTERNET TIME button. The user can manually set the oven clock by setting the USE INTERNET TIME button to “off”. Alternately, the user can have the oven clock set automatically via the Internet by setting the USE INTERNET TIME button to “on” and selecting a time zone as described below.

Setting the Date and Time automatically via Internet:

From the Main Screen

- Select **My Oven** drop down
 - Select **Preferences**
 - Select **Set Date & Time**
 - Select **Time** tab
 - Toggle the **USE INTERNET TIME** button to “on”
 - Select the **Time Zone** tab
 - Use the arrow keys to select the desired time zone
- Note: Selecting a time zone is required in order for Daylight Savings Time to be accurately calculated
- Toggle the **Daylight Savings Time** button to “on” or “off”
 - Select **OK** to save the settings and return to the Main Screen, or **Cancel** to discard the settings and return to the Main Screen

Note: If power to oven is off for more than 3 days, the clock will need to be reset

Setting the Date and Time Manually:

- Select **Time** tab
 - Toggle the **USE INTERNET TIME** button to “off”
 - Using the key pad, set the desired time
 - Toggle the am/pm button to desired selection
 - Select **OK** to save settings and return to the Main Screen, **Cancel** to discard settings and return to the Main Screen, or select the **Date** tab to set the Date
 - Using the key pad, set the desired date
 - Select **OK** to save settings and return to the Main Screen, **Cancel** to discard settings and return to the Main Screen, or select the **Time Zone** tab to set the Time Zone
 - Toggle the **Daylight Savings Time** button to “on” or “off”
 - Use the arrow keys to select the desired Time Zone
- Note: Selecting a Time Zone is required in order for Daylight Savings Time to be accurately calculated
- Select **OK** to save the settings and return to the Main Screen, or **Cancel** to discard the settings and return to the Main Screen

MY OVEN

Preferences

Set Alerts

The Set Alerts feature sends a pre-formatted email message to a designated email account to inform the user when cooking is about to start and/or finish.

From the Main Screen

- Select **My Oven** drop down
- Select **Preferences**
- Select **Set Alerts**
- Select **Email** and use the key pad to enter the email account that will receive the email alerts
- Select **OK** to save the email setting and return to the Set Alerts screen
- Select the desired **Before Cooking Starts** and **Before Cooking Finishes** alert times by toggling the buttons between: **Do Not Contact Me**, or **Contact Me 5 Minutes**, **10 Minutes**, or **15 Minutes**
- Select **OK** to save settings and return to the Main Screen, or **Cancel** to discard the settings and return to the Main Screen

Notepad

The Notepad can be used to display a personal message on the oven for someone else to view on the touch screen at home or remotely from any computer.

From the Main Screen

- Select **My Oven** drop down
- Select **Notepad**
- Using the key pad, enter your message
- Select **OK** to save your message, or **Cancel** to discard the message and return to the Main Screen

MY OVEN

Network Settings

Network Settings sets up your oven for Internet connectivity (Dial up is not supported). Most home networks use DHCP to assign IP addresses. If your home network uses fixed IP addresses, then set DHCP to “off” and enter the address manually. Additional information is available in our Frequently Asked Questions (FAQ) section on our website www.tmio.com.

From the Main Screen

- Select **My Oven** drop down
- Select **Network Settings**
- Toggle the **Use DHCP** button to “on”
- Select **OK** to save settings and return to the Main Screen, or **Cancel** to discard the settings and return to the Main Screen

Remote Access

You must enable Remote Access to access your oven from a web browser or via a phone. Enable Remote Access by entering a 10 digit phone number and 4 digit PIN number, and set the Remote Access to “on”. This phone number and PIN are required at log in.

From the Main Screen

- Select **My Oven** drop down
- Select **Remote Access**
- Select **Phone #** and enter the 10 digit phone number you will most likely be calling from to access the oven. Caller ID will recognize your phone number.

Note: When calling from a different phone number, the Caller ID will not be recognized automatically, and you will be prompted to enter the phone number you entered here as part of the log in process. To log in via the www.tmio.com web page, enter this phone number. (See Remote Control of Your Oven section below)

- Select **PIN #** and enter a 4 digit numeric number only (changes to PIN can only be done at oven interface)
- Toggle **Remote Access** button to “on”
- Select **OK** to save settings and return to the Main Screen, or **Cancel** to discard the settings and return to the Main Screen

REMOTE CONTROL OF YOUR OVEN

Phone

You can call the TMIO Voice Control Center on any phone or cell phone and hear the cook status of your oven as well as control many of the operations that you can perform at home. You can check on the status of your oven, start cooking a meal, create or change a cooking program, stop cooking, or place your oven in refrigeration mode.

You can interact with the TMIO Voice Control Center either using Touch Tones® or simply by speaking your commands or input. Speaking your commands is the way to control your oven from the phone, however, there are times when background noise or the use of speaker phones may make it necessary to use the touch tone controls.

Here are some tips for some of the prompts when using speech input:

- Whenever you hear a prompt that asks you to enter a number, you may say that number
- For the Cook Method, you may say the allowable methods such as: “Bake”, “Convection Bake”, “Roast”, or “Convection Roast”
- For the Oven Temperature, you may speak the digits, or say a number, such as: “three two five” or “three hundred twenty five”
- For the Cook Time, just say the number of hours and/or minutes such as: “one hour thirty minutes”, “two hours”, or “forty five minutes”
- For saying when you want the meal to be ready (Meal Time), the more you say, the less you will be prompted for additional information. Some examples are: “six thirty PM tonight”, “seven PM tomorrow”, “six PM Wednesday”, or “seven thirty PM November seventh”

To access the TMIO Voice Control Center Dial 1-919-882-2330.

- If the phone number you are calling from is the phone number you entered in the My Oven / Remote Access section on your oven, our system will recognize you from the Caller ID and you will only be prompted to enter your PIN number.
- If you are calling from a different phone number, you will be prompted to enter in the 10 digit phone number and 4 digit PIN number you setup on your oven under the My Oven / Remote Access section.
- Three (3) unsuccessful log in attempts will lock out remote access to your oven until you go to the My Oven / Remote Access screen and press the Unlock Account button.
- Once you log into our Voice Control Center, the current status of the top and bottom oven will be reported.
- You will then be prompted with additional options according to the status of your oven. You operate one particular oven at a time, and can switch to the other oven when prompted.
- When finished, simply hang up

Computer

In order to control your oven remotely you will need a Java enabled Web Browser (Microsoft Internet Explorer version 5 or later recommended).

- Navigate your web browser to <http://www.tmio.com> and click on the My Oven Log-In link.

Note: If you do not currently have Java on your computer, you will be prompted to install Java at first time log-in.

- Enter the 10 digit phone number and 4 digit PIN that you setup under My Oven / Remote Access.
- You will be logged in to your oven and can control it as if you were at home. Some features are restricted when logged in remotely such as Self Clean and Broil.

REFRIGERATE

WHEN COOKING IN ONE OVEN AND REFRIGERATING IN THE OTHER SIMULTANEOUSLY, YOU MUST USE THE BOTTOM OVEN TO REFRIGERATE!

Refrigerate is a unique feature of the TMIO Oven. Both the top and bottom oven refrigerate together or independently of each other.

If refrigeration is selected immediately following a cooking cycle or self clean, refrigeration will not begin until the oven temperature reaches 170°F (77°C).

To maintain optimum refrigeration performance it is necessary to remove dirt and dust from the refrigeration panel. (See Do-It-Yourself Maintenance: Refrigeration Unit Cleaning - page 30)

The Refrigeration feature is not intended to replace your conventional refrigerators. Although great for party trays and Holiday leftovers, its main intended use is as a companion to the cooking modes.

When used in “Cook Later”, Refrigerate is the automatic first step so food stays fresh before cooking begins.

Note: In Refrigerate Mode only, the oven lights automatically shut off after a one (1) minute delay. This prevents interference with the refrigeration.

From the Main Screen

- Select **Refrigerate** (Top or Bottom Oven)
- To cancel refrigeration, select **Off**

COOK NOW

Cook Now

This function cooks now.

From the Main Screen

- Select **Cook Now** (Top or Bottom Oven)
- Select **Cook Method** (Bake, Roast, Broil, Warm, Proof, Convection, Convection Bake, Convection Roast, Defrost, or Dehydrate)
- Select **Next**

- Select **Oven Temperature** by dragging the slider button; AND/OR
- Use the +/- 5° buttons for fine adjustment
- Select **Next**

COOK NOW

Cook Now (Continued)

- Set **Cooking Time** (Max time is 12 hours) using the number pad
 - Select **Next**
 - The timer can be bypassed by selecting **Next**

 - Confirm your settings
 - If any changes are required, select each button individually to make changes
 - Select **Start** to begin preheating

 - If you set a Cooking Time, once oven has finished preheating, select **Start Timer** to begin cook cycle

 - If you would like to cancel the cook cycle once started, select **Off**
- Note: The Timer causes the oven to turn off automatically
- At end of cooking cycle select **Clear**

Adjust Settings:

- Takes you back to the confirm screen to make changes to Cook Method, Oven Temperature, Timer, or Add Stages

To Add a Cooking Stage:

From the Confirm Screen

- Select + button under **Add Stage**
- This will walk you through the Cook Now steps

Note: Up to 2 additional cooking stages can be added.

COOK LATER

Cook Later

Cook Later is used to program a dish to cook later in the day. Enter a COOKING TIME (i.e. lasagna takes 45 minutes to cook), then enter a MEAL TIME (i.e. you want to eat dinner at 6:30pm).

The Connect Io™ Intelligent Oven™ calculates when the oven should start cooking as designated by the MEAL TIME. The oven AUTOMATICALLY refrigerates until the cooking begins. At the end of the cooking cycle, the oven shuts off.

Example: Cooking time = 45 minutes Meal time = 6:30pm

The oven refrigerates until 5:45pm, cooking starts and continues for 45 minutes, then oven shuts off.

From the Main Screen

- Select **Cook Later** (Top or Bottom Oven)
- Select **Cook Method** (Bake, Roast, Warm, Proof, Convection, Convection Bake, Convection Roast, Defrost, or Dehydrate)
- Select **Next**

Note: The Broil feature is unavailable in Cook Later

- Set **Oven Temperature** by dragging the slider button; AND/OR
- Use the +/- 5° buttons for fine adjustment
- Select **Next**

- Set **Cooking Time** (Max time is 12 hours) using the number pad
- Select **Next**

- Set **Meal Time** using the number pad. Meal Date can also be selected by toggling the **Meal Date** button.

Note: Meal Time is the time you would like to have your meal finished

- Select **Next**

COOK LATER

Cook Later (Continued)

- Confirm your settings
 - Here you can select your **After Cooking** steps by toggling between Refrigerate, Turn Oven Off, Keep Warm, or Warm then Refrigerate
 - If any changes are required, select each button individually to make changes
 - Select **Start**
-
- If you would like to cancel the cook cycle once started, select **Off**
 - At end of cooking cycle select **Clear** to return to the Main Screen

Adjust Settings:

- Takes you back to the confirm screen to change Cook Method, Oven Temperature, Timer, Meal Time, After Cooking, or Add Stage

To Add a Cooking Stage:

From the Confirm Screen

- Select + button under **Add Stage**
- This will walk you through the Cook Later steps and return you to the Confirm screen.

Note: Up to 2 additional cooking stages can be added.

MY FAVORITES

Selecting A Dish

From the Main Screen

- Select **My Favorites** button
(Cook Now or Cook Later / Top or Bottom Oven)
 - Use the arrow buttons to scroll through your list of favorite dishes
 - Select a dish (selection will be highlighted in blue)
 - Select **Next**
-
- If selecting for Cook Later, you will need to set **Meal Time** using the number pad. Meal Date can also be selected by toggling the **Meal Date** button.

Note: Meal Time is the time you would like to have your meal finished.

- Select **Next**
- Confirm your settings

MY FAVORITES

Selecting A Dish (Continued)

- If any changes are required, select each button individually to make changes
- Set **Start** to begin cooking

Add A Dish

Selecting Add A Dish will guide you through the same screens as in Cook Now or Cook Later, and save the settings with a descriptive name in My Favorites for future use! (Note: Up to 1,000 favorites may be added)

From the Main Screen

- Select **My Favorites** button
(Cook Now or Cook Later / Top or Bottom Oven)
- Select **Add A Dish**

- Select **Cook Method** (Bake, Roast, Warm, Proof, Convection, Convection Bake, Convection Roast, Defrost, or Dehydrate)
- Select **Next**

Note: If selecting a cook method for Cook Later, Broil will be unavailable

- Set **Oven Temperature** by dragging the slider button; AND/OR
- Use the +/- 5° buttons for fine adjustment
- Select **Next**

- Set **Cooking Time** (Max time is 12 hours) using the number pad
- Select **Next**
- The timer can be bypassed by selecting **Next**

MY FAVORITES

Add A Dish (Continued)

- Name your dish using the keypad, select **Next**

- Confirm your settings
- If any changes are required, select each button individually to make changes
- Select **Save** to save your dish under **My Favorites**

Edit Dish

From the Main Screen

- Select **My Favorites** button
(Cook Now or Cook Later / Top or Bottom Oven)
- Use the arrow buttons to scroll through your list of favorite dishes
- Select a dish (selection will be highlighted in blue)
- Select **Edit Dish**

- Select between Dish Name, Cook Method, Oven Temperature, Timer, and/or Add Stage to make any changes
- Once all changes are made, select **Save**

MY FAVORITES

Delete Dish

From the Main Screen

- Select **My Favorites** button
(Cook Now or Cook Later / Top or Bottom Oven)
 - Use the arrow buttons to scroll through your list of favorite dishes
 - Select a dish (selection will be highlighted in blue)
 - Select **Delete Dish**
-
- You will be prompted to confirm that you would like to delete the selected dish by selecting **Delete Dish** a second time
 - The dish is now deleted

PROBE COOKING

Probe Cooking

From the Main Screen

- Insert Cooking Probe into probe receptacle in upper right hand corner of oven (Top or Bottom Oven)
 - Probe icon appears on screen
 - Select **Cook Now** or **Cook Later**
-
- Select **Cook Method** and select **Next**, or select the **blue bar** to use **Meat Temperature Guide**

Note: Broil and Warm are unavailable through Cook Later

If using Meat Temperature Guide:

- Select a preset **Probe Meat Setting** from the list (selection will be highlighted in blue) and select **OK**

Note: These are recommended Probe Temperature settings and Cooking Times/lb. You can change these settings at the Confirm and Start screen

PROBE COOKING

Probe Cooking (Continued)

- Confirm the settings
- If any changes are required, select each individual button to change the Meat Settings, Probe Temperature, Weight & Time/Unit, Cook Method, Oven Temperature, and or Mealtime
- Select **Start**

If selecting your own Cook Method:

- Set **Oven Temperature** by dragging the slider button; AND/OR
- Use the +/- 5° buttons for fine adjustment
- Select **Next**

- Set **Probe Temperature** by dragging the slider button; AND/OR
- Use the +/- 5° buttons for fine adjustment
- Select **Next**

- If selecting for Cook Later, set **Meal Weight and Minutes per lb/kg**
- Select **Next**

- If selecting for Cook Later, set **Meal Time** using the number pad.
Meal Date can also be selected by toggling the **Meal Date** button.

Note: Meal Time is the time you would like to have your meal finished.

- Select **Next**

PROBE COOKING

Probe Cooking (Continued)

- Confirm your settings
- If any changes are required, select each button individually to make changes
- Select **Start** to begin cooking

- Select **Off** to cancel cycle
- The oven will shut off when probe temperature is reached
- Select **Clear** to return to the Main Screen

Adjust Settings:

- Takes you back to the Confirm screen to change Meat Settings, Probe Temperature, Weight & Time/Unit, Cook Method, Oven Temperature, and/or Mealtime

BROIL

Broil

Your oven is equipped with Convection Broiling providing air circulation from the air at the rear of the oven. Convection Broiling has the advantage of broiling food slightly quicker than conventional. Broiling is a dry-heat cooking method using direct or radiant heat. It is used for small individualized cuts such as steaks, chops, and patties. Broiling is most successful for cuts of meat 1-2 inches thick. Your oven contains a top broil element to provide additional flexibility for broiling foods such as stuffed lobster and for top browning casseroles, meringues, etc. Broiling speed is determined by the distance between the food and the broil element. For fast broiling, food may be as close as 2 inches to the broil element. Fast broiling is best for meats where rare to medium doneness is desired. For slow broiling, allow approximately 4 inches between the top surface of the food and the broil element. Slow broiling is best for chicken and ham in order to prevent over browning it. The Broil feature is not available in Cook Later.

Broiling Tips:

- Never leave your oven unattended while broiling
- Always use a broiler pan and grid when broiling. They are designated to provide drainage of excess liquid and fat away from the cooking surface to help prevent splatter, smoke, and fire.
- Slit fatty edge of meat to keep from curling
- Lightly grease broiler tray to prevent sticking
- Brush chicken and fish with butter several times throughout broiling to prevent them from drying out
- Broil first side slightly more than half the recommended time, season, and turn. Season second side just before removing.
- Always pull rack out to stop position before turning or removing food
- Use tongs or a spatula to turn meats
- Never pierce meat with a fork as this allows the juices to escape
- Remove the broiler pan from the oven when you remove the food to prevent the drippings from baking onto the pan
- While pan is hot, place damp paper towel over grid, drizzle with liquid dishwashing detergent, and pour water over grid. This will make cleaning the pan easier.

BROIL

Broil

Arrange oven rack to desired position before turning broiler on

From the Main Screen

- Select **Cook Now** (Top or Bottom Oven)
 - From the **Cook Method** screen, select **Broil**
 - Select **Next**
-
- From the **Set Cooking Time** screen, set your Broil Time using the number pad
 - Select **Next**
 - The timer can be bypassed by selecting **Next**
-
- Confirm your settings
 - If any changes are required, select each button individually to make changes
 - Select **Start** to begin preheating
 - If you set a Cooking Time, once oven has finished preheating, select **Start Timer** to begin broil cycle
 - If you would like to cancel the broil cycle once started, select **Off**
- Note: The Timer causes the oven to turn off automatically
- At end of cooking cycle select **Clear**

DEFROST

Defrost

This method defrosts foods prior to cooking. Simply follow the instructions on the screen to use with your recipe.

DEHYDRATE

Dehydrate

This method dehydrates meats, fruits and vegetables. You can use it for smoking fish or making jerky. Simply follow the instructions on the screen to use with your recipe.

PROOF

Proof

This method proofs bread. Simply follow the instructions on the screen to use with your recipe. (Note: It can also be used to heat plates safely prior to serving your meals.)

SABBATH / HOLIDAY

Sabbath

STAR-K CERTIFIED

Maintaining tradition and having delicious, warm meals over the Sabbath (Shabbos) for your family is made easy with the Connect Io™ Intelligent Oven™. Star-K Certified Connect Io™ offers the safest, most advanced, most convenient, and easiest to use Sabbath cooking modes available from any electric oven. TMIO works diligently with Star-K in order to make Connect Io™ the most kosher consumer friendly cooking appliance possible for your Sabbath needs.

From the Main Screen

- Select **My Oven** drop down
- Select **Sabbath**
- Select **Top Oven** or **Bottom Oven** (either or both can be used)
- Select **Next**

- Select **Cook Method** (Bake, Roast, Warm or Refrigerate)
- Select **Next**

- Set **Oven Temperature** by dragging the slider button; AND/OR
- Use the +/- 5° buttons for fine adjustment
- Select **Next**

- Using the key pad, set **Start and Stop Time**
- Select **Next**

- Confirm your settings
- If any changes are required, select each button individually to make changes
- You can also select **Refrigerate Before Cooking** and/or one of the **Warm After Cooking** time periods
- Select **Start**

SABBATH / HOLIDAY

Sabbath (Continued)

- The **Off** button will remain on the status screen and, if ever needed, must be held down for two (2) seconds or touched twice quickly

Note: To use the other oven at the same time, go to My Oven / Sabbath and repeat the steps above

Once the oven is set in Sabbath:

- Other screens and options will no longer be accessible
- Oven lights and audible tones are disabled
- Functions/Modes that are disabled will appear in grey rather than the usual black letters
- Opening an oven door will not activate the heating elements
- The refrigeration defrost system is timed
- The normal 12 hour heating elements cut-off is disabled

Holiday (Yom Tov)

Holiday provides all the features of Sabbath plus the capability to preset (program) one or both ovens to operate over a 3 day (72 hour) period. Holiday also allows multiple cooking and/or refrigeration periods within the same day.

From the Main Screen

- Select **My Oven** drop down
- Select **Holiday**
- Select **Top Oven** or **Bottom Oven** (either or both can be used)
- Select **Next**

- Select **Cook Method** (Bake, Roast, Warm, or Refrigerate)
- Select **Next**

- Set **Oven Temperature** by dragging the slider button; AND/OR
- Use the +/- 5° buttons for fine adjustment
- Select **Next**

SABBATH / HOLIDAY

Holiday (Yom Tov) (Continued)

- Using the key pad, **Set Start and Stop Time** and set the **Start Date & Stop Date** for the first day by toggling each button
- Select **Next**

- Select your Second day tab at top of screen
- Select the + key and repeat Holiday programming steps
- Select your Third day tab at top of screen
- Select the + key and repeat Holiday programming steps
- Confirm or change any Cook Method, Temperature, Run Time, or Add/Subtract a cooking step by pressing + or - key
- Select **Start**

- The **Off** button will remain on the status screen and, if ever needed, must be held down for two (2) seconds or touched twice quickly

Once the oven is set in Holiday:

- Other screens and options will no longer be accessible
- Oven lights and audible tones are disabled
- Functions/Modes that are disabled will appear in grey rather than the usual black letters
- Opening an oven door will not activate the heating elements
- The refrigeration defrost system is timed
- The normal 12 hour heating elements cut-off is disabled

SELF CLEAN

Green Clean

NEVER use any alkaline cleaners such as “Easy Off” in the oven or it will damage porcelain and void warranty. ALWAYS remove stainless steel oven racks, all non-porcelain contents, and wipe out excess spills with a mild detergent such as “Dawn” before Self Cleaning. The Self Clean feature is not available in Cook Later.

From the Main Screen

- Select **My Oven** drop down
- Select **Self Clean**
- Select **Top Oven** or **Bottom Oven**, select **Next**

Note: Both ovens cannot be cleaned simultaneously. While self cleaning one oven, the other will be idle and unavailable for use until self cleaning cycle has completed.

SELF CLEAN

Green Clean (Continued)

- Using the number pad, set the **Start Time** you would like the self clean cycle to begin
- If you wish to begin the self clean now, leave Start Time blank
- Select **Next**

- Confirm and Start

- Oven Latch will secure oven door
- Cleaning time is two (2) hours, followed by cool down of one (1) hour
- To cancel the self clean cycle select **Cancel**
- Once self clean is complete, select **Clear**

Note: For safety, oven door will not unlock until oven temperature reaches 400°F (204°C)

OVEN SERVICE

Touch Calibration

Touch Calibration is used to make sure the location pressed on the touch screen is properly aligned to match the correct button on the display. Calibration is initially performed during manufacturing and should not need to be repeated.

From the Main Screen

- Select **My Oven** drop down
- Select **Oven Service**
- Select **Touch Calibration**
- Follow prompts carefully. After three (3) touches the calibration is complete

OVEN SERVICE

Software Update

The Connect Io™ Intelligent Oven™ will continue to offer the most advanced features for our customers. Periodic updates are made by TMIO for ovens connected to the Internet.

From the Main Screen

- Select **My Oven** drop down
- Select **Oven Service**
- Select **Software Update**

Note: Oven must be connected to Internet for Software updates

- System will automatically download any updates and reboot the system

Oven Reset

This is a re-boot of the system.

From the Main Screen

- Select **My Oven** drop down
- Select **Oven Service**
- Select **Oven Reset**
- The oven will automatically re-boot itself
- In the event the system does not re-boot correctly, remove louvered refrigeration panel and press reset switch located on the right hand side

Circuit Breaker

A 15 Amp push button circuit breaker is found next to the reset switch behind the louvered refrigeration panel. This is used if the 110V receptacle (See Features of Your Oven: Parts Identification - page 3) is not working due to excessive amperage.

Enable Demo Mode

The Demo Mode is only used when demonstrating the oven's features in a store, and should never be used in the home. When in Demo Mode, the heating elements or the refrigeration system will not activate.

From the Main Screen

- Select **My Oven** drop down
- Select **Oven Service**
- Select **Enable** or **Disable Demo Mode**
- Oven operates in normal condition

Note: In Demo Mode a demo icon appears in the upper right corner of the Main Screen. This icon will not appear when Demo Mode is disabled.

In Demo Mode:

If **Lock Controls** has been activated, the Oven ID number found on the Oven Diagnostics screen will be required to unlock controls.

OVEN SERVICE

Oven Diagnostics

In the event service is required, our Authorized Service Technician can diagnose most problems remotely, if connected to the Internet, reducing service calls to one visit to the home. The exclusive TMIO online Virtual Repairman provides assistance and technical information to the Service Technician. Service calls are an inconvenience to the customer and we at TMIO want to offer the best service with the least aggravation to the customer.

From the Main Screen

- Select **My Oven** drop down
- Select **Oven Service**
- Select **Oven Diagnostics**

Note: Oven must be connected to Internet and contact and registration information (see page 11 Contact Information) must be complete

- Select **Upload Diagnostics**
- Call Customer Service at 1-800-881-TMIO (8646) or your Dealer to schedule the service call

Note: Many repairs can be made by pressing Oven Reset before calling for service

POWER FAILURE

Power Failure

If the user has enabled “email alerts” in the My Oven / Preferences / Set Alerts menu, an email alert will be sent to the user when power resumes.

Power Failure Recovery Rules:

- If the power fails for less than three (3) minutes, this is considered a “blink” and the oven will continue to operate as it was prior to the power outage
- If the power fails for more than six (6) hours, the oven will remain off
- If the oven was refrigerating when power failed, it will continue to refrigerate once power resumes
- If the oven was in **Sabbath** or **Holiday** mode, it will continue in Sabbath or Holiday mode once power resumes
- If the oven was in **Self Clean**, once power resumes the oven will resume in a safe “cool down” mode and a warning will be displayed
- In **Cook Now**, if cooking was interrupted, the oven will refrigerate once power resumes and a warning will be displayed
- In **Cook Later**, if cooking was interrupted, the oven will refrigerate once power resumes and a warning will be displayed
- In **Cook Later**, if the refrigeration stage was interrupted and the temperature exceeded 40°F, the oven will refrigerate once power resumes and a warning will be displayed
- In **Cook Later**, if the power remained off until after the meal time, the oven will refrigerate and a warning will be displayed

DO-IT-YOURSELF MAINTENANCE

Cleaning Methods

- The oven is designed with its Hidden Bake element below the floor of each oven cavity, providing easy wiping of spills and grease.
- Be certain the oven has cooled before wiping spills or an accidental burn could occur.
- Use a mild dish washing detergent such as “Dawn” to clean lightly soiled areas.
- Never use oven cleaners such as “Easy Off” or harsh detergents. Use can result in damage to the porcelain finish and will void your warranty.

Refrigeration Unit Cleaning

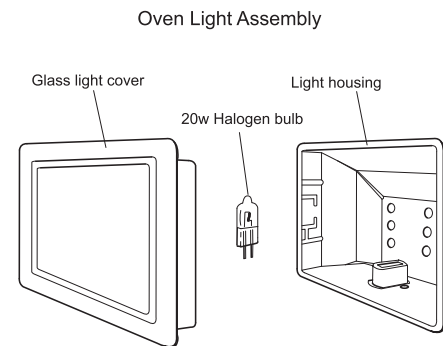
Keeping the condenser fins free of dust and pet hair is important to saving energy and maintaining peak performance of your refrigeration unit.

- Remove the louvered refrigeration panel twice annually (or as needed) and carefully vacuum dust from the metal fins on the condenser (For instructions on how to remove the Refrigeration Panel see “Installation Instructions” manual.)
- Replace panel

Oven Light Assembly

If the oven light(s) burn out, simply replace with 20 W Halogen bulb.

- Shut off power to oven at fuse or Breaker box. Never attempt any repairs while power is active to the oven. Touch screen on oven should be grey and off. Also, open an oven door where bulbs are functional and double-check power is off.
- Make sure oven is cool to avoid burns
- Carefully remove glass cover with flat screwdriver
- Remove and replace bulb
- Wipe finger prints off bulb and replace cover
- Restore power at fuse or Breaker box
- Check light



TROUBLESHOOTING

Fault Codes

All Fault Codes will have a description of the fault along with a Fault Code number

Please make note of the Fault Code number

You will be required to contact an authorized service provider supplied by your TMIO dealer at the time of purchase or call TMIO at 1-800-881-TMIO (8646)

COOKING CHARTS

Bake Chart

FOOD ITEM		OVEN TEMPERATURE		COOK TIME
		°F	°C	
Breads	White	425	218	25 - 30 min
	Whole Wheat	375	191	40 min
	Whole Grain	350	177	40 min
	Cornbread	400	204	20 - 25 min
	Biscuits	425	218	10 - 12 min
	Rolls	350	177	15 - 20 min
Muffins	Apple	375	191	20 - 25 min
	Blueberry	400	204	15 - 17 min
	Banana Nut	350	177	20 min
	Bran	350	177	20 - 25 min
Crust	Pie	425	218	15 - 18 min
Cookies	Sugar	350	177	12 - 14 min
	Drop	375	191	8 - 10 min
	Oatmeal Raisin	350	177	9 - 10 min
	Chocolate Chip	375	191	8 - 10 min
Cakes	Angel Food	350	177	50 - 60 min
	Coffee	350	177	25 - 30 min
	Dump	350	177	40 min
	Pound	350	177	45 - 55 min
	Sour Cream Bundt	350	177	45 - 50 min
Desserts	Brownies	350	177	20 min
	Bread Pudding	375	191	60 - 75 min
	Creme Brulee	350	177	35 - 40 min
	Custard	350	177	35 - 40 min

Convection

Follow these general guidelines for converting conventional to convection cooking:

1. Bake at the same temperature the conventional recipe recommends, but for approximately 25-30% less time, or
2. Bake for the amount of time the conventional recipe calls for, but reduce the oven temperature by approximately 25°F.
3. If the original conventional recipe time is less than 15 minutes, keep the original bake time, but reduce the temperature by approximately 25-30°F.
4. Casseroles and high-sided pans are not recommended for convection cooking as they block the heat from circulating around the food and prevent the oven from cooking efficiently.

COOKING CHARTS

Meat Chart

MEAT TYPE	MEAT CUT	SIZE (lbs)	OVEN TEMP.	INTERNAL TEMP.			COOK TIME	
					°F	°C		
Beef	Tenderloin (half)	2-3	425°F (218°C)	Med. Rare	145	63	35-40 min	
				Medium	160	71	45-50 min	
	Tenderloin (whole)	4-6	425°F (218°C)	Med. Rare	145	63	50-60 min	
				Medium	160	71	60-70 min	
	Sirloin Tip	4-6	325°F (163°C)	Med. Rare	145	63	25-30 min/lb	
				Medium	160	71	30-35 min/lb	
	Ribeye	4-6	350°F (177°C)	Med. Rare	145	63	18-20 min/lb	
				Medium	160	71	20-22 min/lb	
	Round or Rump Roast	2-4	325°F (163°C)	Med. Rare	145	63	30-35 min/lb	
				Medium	160	71	35-40 min/lb	
	Pork	Tenderloin	1/2-1 in.	425-450°F (218-232°C)		155	68	25-29 min
		Top Loin Roast	2-5	350°F (177°C)		160	71	20-30 min/lb
Center Loin Roast		3-5	350°F (177°C)		160	71	20-30 min/lb	
Picnic Shoulder		5-8	350°F (177°C)		170	77	30-35 min/lb	
Ribs (back or spare)		2-4	325°F (163°C)				1-3 hrs	
Ham	Cooked, Whole (boneless)	6-8	325°F (163°C)		140	60	10-12 min/lb	
		14-16					5-7 min/lb	
	Cooked, Whole (bone-in)	12-14	325°F (163°C)		140	60	15 min/lb	
	Cooked, Half (boneless)	3-4	325°F (163°C)		140	60	25-30 min/lb	
	Cooked, Half (bone-in)	5-7	325°F (163°C)		140	60	18-20 min/lb	
	Uncooked, Half (bone-in)	5-7	350°F (177°C)		160	71	25-30 min/lb	
Lamb	Leg of Lamb, Whole (bone-in)	5-7	325°F (163°C)	Med. Rare	145	63	20-25 min/lb	
				Medium	160	71	25-30 min/lb	
	Leg of Lamb, Whole (boneless)	4-7	325°F (163°C)	Med. Rare	145	63	25-30 min/lb	
				Medium	160	71	30-35 min/lb	
	Shoulder Roast	4-6	325°F (163°C)	Med. Rare	145	63	20 min/lb	
				Medium	160	71	25 min/lb	
	Crown Roast	2-3	375°F (191°C)	Med. Rare	145	63	25 min/lb	
				Medium	160	71	30 min/lb	
Veal	Loin (bone-in)	3-4	325°F (163°C)	Medium	160	71	34-36 min/lb	
	Loin (boneless)	2-3	325°F (163°C)	Medium	160	71	18-20 min/lb	
	Crown	7-10	325°F (163°C)		155	68	19-21 min/lb	

Convection

Follow these general guidelines for converting conventional to convection cooking:

1. Cooking at the same temperature the conventional recipe recommends, but for approximately 25-30% less time, or
2. Cooking for the amount of time the conventional recipe calls for, but reduce the oven temperature by approximately 25°F.
3. If the original conventional recipe time is less than 15 minutes, keep the original cook time, but reduce the temperature by approximately 25-30°F.
4. Casseroles and high-sided pans are not recommended for convection cooking as they block the heat from circulating around the food and prevent the oven from cooking efficiently.

COOKING CHARTS

Poultry Chart

POULTRY TYPE	CUT	SIZE (lbs)	OVEN TEMP.	INTERNAL TEMP.		COOK TIME
				°F	°C	
Chicken	Breasts (boneless & skinless)		375°F (191°C)	170	77	20-25 min
	Breasts (bone-in)		350-375°F (177-191°C)	170	77	30-40 min
	Drumsticks		350-375°F (177-191°C)	180	82	35-45 min
	Thighs (boneless & skinless)		375°F (191°C)	180	82	30-35 min
	Thighs (bone-in)		350-375°F (177-191°C)	180	82	40-50 min
	Whole	2-5	375°F (191°C)			1 - 2 hrs
	Capon	5-7	325°F (163°C)			1 3/4 - 2 1/2 hrs
Turkey	Breast (boneless)	2-3	325°F (163°C)	170	77	1 1/2 - 2 1/2 hrs
		4-6				2 1/2 - 3 1/2 hrs
	Breast (bone-in)	2-5	325°F (163°C)	170	77	1 1/2 - 2 hrs
		5-8				2 - 2 1/2 hrs
	Whole (stuffed)	6-8	325°F (163°C)	180	82	3 - 3 1/2 hrs
		8-12				3 1/2 - 4 1/2 hrs
		12-16				4 - 5 hrs
	Whole (unstuffed)	6-8	325°F (163°C)	180	82	2 1/2 - 3 1/2 hrs
		8-12				3 - 4 hrs
		12-16				3 1/2 - 4 1/2 hrs
	Cornish Game Hen		1-2	375°F (191°C)	180	82
Goose		7-10	350°F (177°C)	180	82	2 - 3 hrs
Duck		3-6	350°F (177°C)	180	82	1 1/2 - 3 hrs
Pheasant		2-3	350°F (177°C)	180	82	1 - 1 1/2 hrs

Convection

Follow these general guidelines for converting conventional to convection cooking:

1. Bake at the same temperature the conventional recipe recommends, but for approximately 25-30% less time, or
2. Bake for the amount of time the conventional recipe calls for, but reduce the oven temperature by approximately 25°F.
3. If the original conventional recipe time is less than 15 minutes, keep the original bake time, but reduce the temperature by approximately 25-30°F.
4. Casseroles and high-sided pans are not recommended for convection cooking as they block the heat from circulating around the food and prevent the oven from cooking efficiently.

COOKING CHARTS

Broiling Chart

MEAT TYPE	THICKNESS/CUT		TOTAL COOKING TIME (Minutes)
Beef Steaks	3/4" to 1"	Medium Rare	7 - 11
		Medium	8 - 12
		Well	9 - 14
	1-1/4" to 1-1/2"	Medium Rare	16 - 22
		Medium	22 - 25
		Well	26 - 32
Breads	3/4" to 1"		4 - 6
	English Muffins		
	Garlic Toast		
Chicken	Pieces/Halves		30 - 45
Franks	Hot Dogs	Whole	4 - 5
	Polish Sausage	Cut in half	7 - 9
Fish	1/2" to 1"		8 - 12
Ground Beef	Patties 3/4" to 1"	Medium Rare	8 - 12
		Medium	9 - 14
		Well	10 - 15
Ham Steak	1/2"		7 - 11
	1"		12 - 15
Lamb Chops	1/2" to 1"	Medium	12 - 17
		Well	15 - 20
	1-1/4" to 1-1/2"	Medium	21 - 27
		Well	27 - 33
Pork Chops	1/2" to 1"	Well	18 - 25



“Connect Io” REFRIGERATOR-OVEN WARRANTY

FULL TWO-YEAR WARRANTY

For two years from the date of purchase, when this appliance is operated and maintained in accordance with the instructions furnished with this product, TMIO, LLC will pay for replacement parts and repair labor to correct defects in materials or workmanship. Service must be provided by a TMIO, LLC designated service company.

FIVE-YEAR FULL WARRANTY ON SEALED REFRIGERATION PARTS AS LISTED

For five years from the date of purchase, when this product is operated and maintained in accordance with the instructions furnished with this product, TMIO, LLC will pay for replacement parts and repair costs to correct defects in materials or workmanship in the sealed refrigeration system. The sealed refrigeration system consists of the compressor, condenser, evaporator, dryer and all connecting tubing.

THIRD THROUGH FIFTH YEAR LIMITED WARRANTY

From the third through the fifth year from the date of original installation, TMIO, LLC will repair or replace the following parts that prove to be defective in materials or workmanship. Labor to remove and replace defective parts is not covered. TMIO, LLC recommends that you use TMIO, LLC authorized repair persons to perform such services. The following parts are covered: electric heating elements, blower motors, and electronic oven control boards (EOC's).

LIMITATIONS

TMIO, LLC will not pay for:

1. Service calls to correct the installation of your appliance, to instruct you how to use your appliance, to replace house fuses or correct house wiring, or to replace owner-accessible light bulbs.
2. Repairs when your appliance is used in other than normal, single-family household use.
3. Pickup and delivery. Your appliance is designed to be repaired in the home.
4. Damage resulting from accident, alteration, misuse, abuse, fire, flood, improper installation, acts of God or use of products not approved by TMIO, LLC.
5. Repairs to parts or systems resulting from unauthorized modifications made to the appliance or the software operating the appliance.
6. Repairs to parts or systems to correct any defect caused by negligence, accident or improper use, maintenance, installation, service or repair.
7. Replacement parts or repair labor costs for units operated outside the United States and Canada.
8. Travel or transportation expenses for customers who reside in remote areas.
9. Any labor costs during the limited warranty period.
10. Stainless Steel doors, panels, and frame repairs beyond 30 days for cosmetic defects.

THE REMEDIES DESCRIBED ABOVE FOR EACH WARRANTY ARE THE ONLY ONES WHICH TMIO, LLC WILL PROVIDE, EITHER UNDER THIS WARRANTY OR UNDER ANY WARRANTY ARISING BY OPERATION OF LAW. TMIO, LLC WILL NOT BE RESPONSIBLE OR LIABLE FOR ANY CONSEQUENTIAL OR INCIDENTAL DAMAGES ARISING FROM THE BREACH OF THIS WARRANTY OR ANY OTHER WARRANTY, WHETHER EXPRESS, IMPLIED OR STATUTORY.

Some states do not allow the exclusion or limitation of incidental or consequential damages, so this exclusion or limitation may not apply to you. This warranty gives you specific legal rights and you may also have other rights which may vary from state to state.

For service questions visit the web at www.tmio.com or call 1-800-881-TMIO (8646).

Connect Io Use & Care Manual
Part No. 101205

Connect Io™
INTELLIGENT OVEN™



*Internet & Cell Phone Controlled Connect Io Intelligent Ovens
Give You More Time For Your Lifestyle*

Designed and manufactured in the USA with pride by TMIO, LLC • Chattanooga, TN • US toll-free +1.800.881.TMIO (8646) • www.tmio.com
Connect Io™, Intelligent Oven™, Intelligent Ovens™, Green Clean™, and TMIO® are registered trademarks of TMIO, LLC.



Your Lifestyle, Your Dinner, Your Time.

Free Manuals Download Website

<http://myh66.com>

<http://usermanuals.us>

<http://www.somanuals.com>

<http://www.4manuals.cc>

<http://www.manual-lib.com>

<http://www.404manual.com>

<http://www.luxmanual.com>

<http://aubethermostatmanual.com>

Golf course search by state

<http://golfingnear.com>

Email search by domain

<http://emailbydomain.com>

Auto manuals search

<http://auto.somanuals.com>

TV manuals search

<http://tv.somanuals.com>