

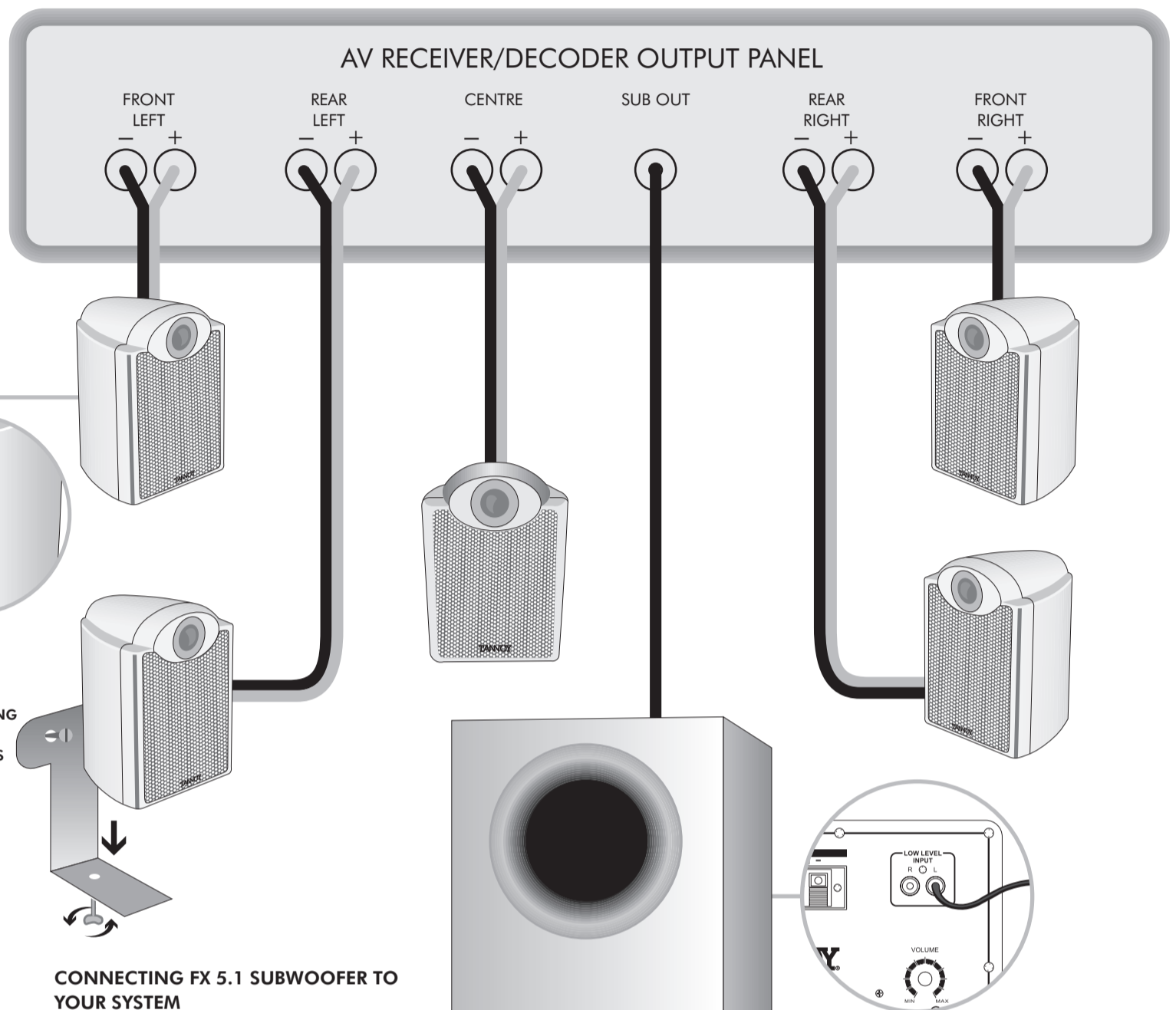
FX 5.1 Subwoofer

This high performance 5.1 system has been built and tested with care and precision, to provide first class performance and reliable operation. To ensure maximum benefit from ownership, and for reasons of safety, please read the following information before using for the first time.

TANNØY

FX

5.1



CONNECTING FX 5.1 SUBWOOFER TO YOUR SYSTEM

The FX5.1 subwoofer may be connected in any one of the following ways:

LINE LEVEL

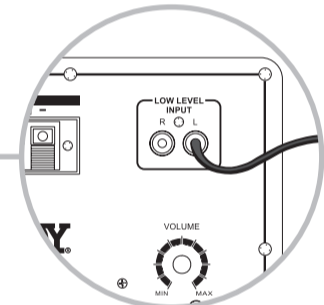
- Using the subwoofer output on your A/V receiver or decoder connect a single RCA interconnect to either the left or right line input on the subwoofer rear panel. This is the ideal connection type as the subwoofer output contains the low frequency information from all channels.
- If no subwoofer or spare line outputs exist you may connect using a Y-split connector on the main preamplifier output connections. Use a Y-split on both right and left outputs and connect these via an RCA interconnect to the left and right inputs on the subwoofer rear panel.
- Alternatively, if your preamplifier has a spare set of line level outputs, connect left and right to the FX 5.1 subwoofer L and R inputs using screened cable.

HIGH LEVEL

- Use your amplifier's speaker out terminals. To accommodate the connection of two sets of cables, red (+) goes to red (+), and black (-) to black (-), twist wires together and connect to the amplifier terminals.
- Alternatively use the 'A & B' speaker outputs on the amplifier if provided - A to your main speakers and B to the FX5.1 subwoofer. Do this using a length of speaker cable for each channel, wire your amplifier outputs to the HIGH LEVEL input terminals, on the subwoofer amplifier panel. Ensure there are no stray wire strands that could possibly short together and damage both the amplifier and subwoofer.

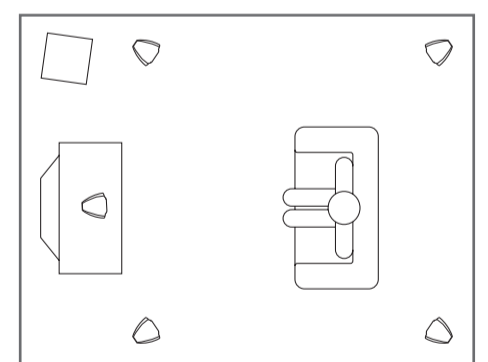
WARNINGS

- Double-check all connections before switching on the FX 5.1 system and your amplifier.



POSITIONING

As the FX5.1 subwoofer produces low frequencies only, it is difficult to detect its location by ear. It can therefore be placed anywhere in the room, but optimum performance will be gained by locating the subwoofer between the front pair of speakers. Bass output will increase next to a wall or especially in a corner; so use the VOLUME control to compensate if moving your subwoofer around.



- Ensure that the polarity of the speaker cables from your amplifier to the subwoofer is correct - failure to observe this will result in damage to your amplifier.
- When using the HIGH LEVEL inputs, ensure that your amplifier is not configured in bridge mode; damage could result to either the amplifier or the subwoofer. If in doubt consult your dealer.

SETTING UP

Ensure the POWER switch is in the OFF position and that the POWER light is green. You can operate FX subwoofer in two modes, AUTO and ON continuously. In AUTO, the unit remains OFF until an input signal is detected.

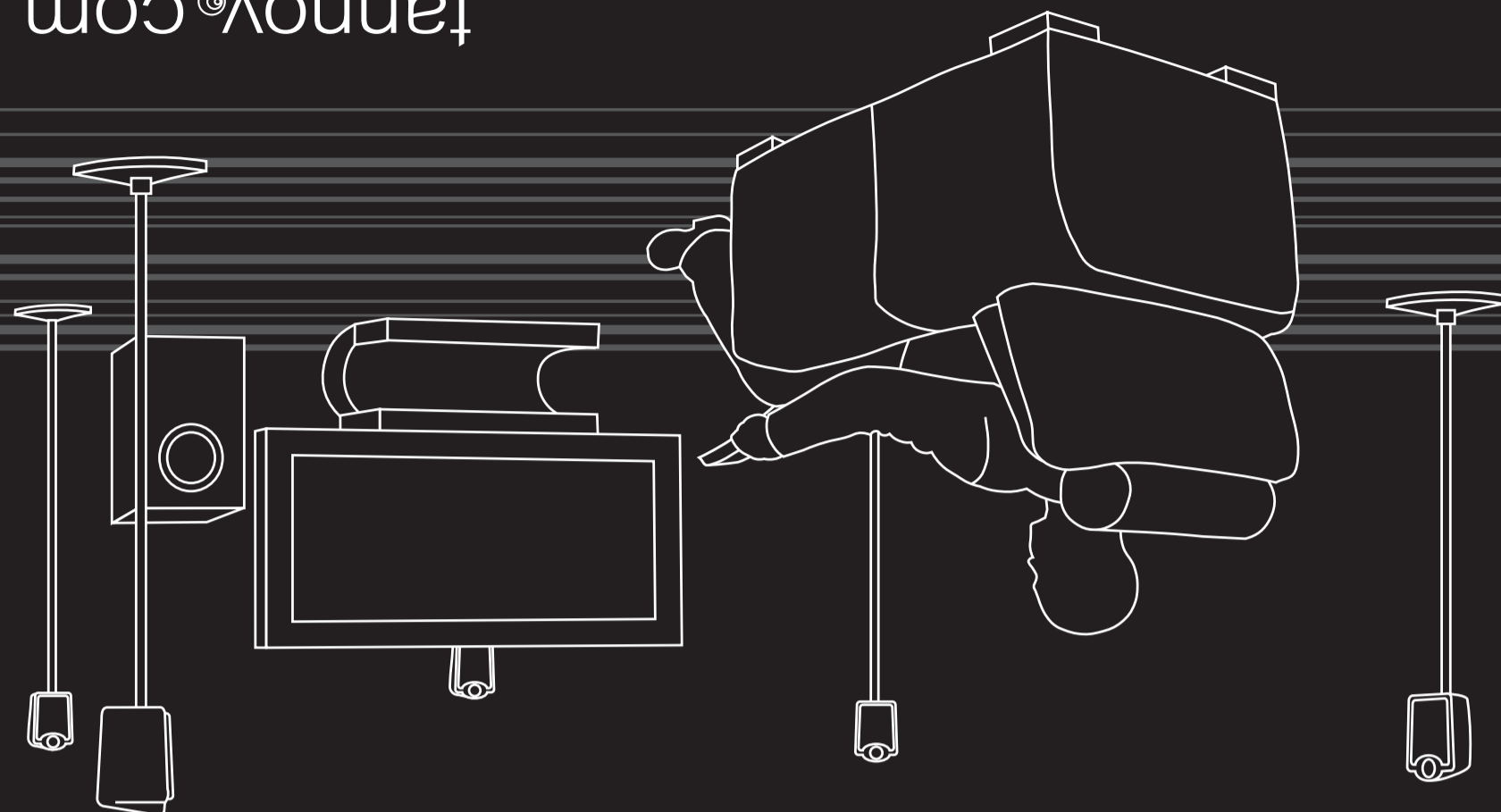
Firstly set VOLUME control to MIN, and the PHASE switch to 0°. The LED will turn red when switched ON, or when a signal is detected in AUTO mode. Play some music through the system and slowly increase the volume level control until roughly the correct amount of bass is present. Listen to the system, adjusting the VOLUME LEVEL control to achieve the most seamless integration of energy with your satellite speakers. In some installation situations, due to room acoustics, setting the PHASE switch to 180° will give better results. Fine adjustment of the controls will take a little time using a range of different programme material. Remember that the object of a subwoofer is to enhance the output of your main speakers, not overpower it.

AUTO POWER/ SLEEP FUNCTION

The FX 5.1 subwoofer can be left permanently on in AUTO mode, under which conditions it will revert to 'sleep' mode after approximately 20 minutes. If not using your subwoofer for some time, switch OFF and remove the power cable from the mains outlet.

POWER REQUIREMENTS

Check that the voltage rating displayed on the rear panel is correct for your area before connecting. If it is incorrect, move the voltage selector on the rear panel to the appropriate voltage. The panel mounted fuse should also be changed to the correct rating (see below, under FUSE PROTECTION). If in any doubt, consult your Dealer or Authorised Service Agent.



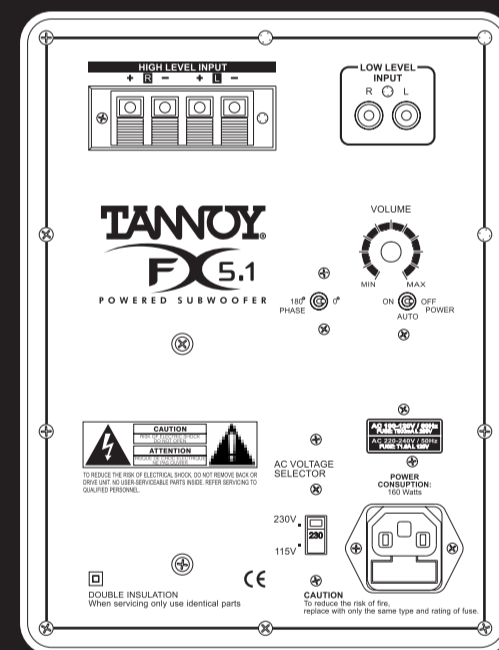
SET UP GUIDE



SATELLITES	
PERFORMANCE	
Recommended amplifier power	15 - 100 watts
Maximum Sensitivity (2.83Volts @ 1m)	85dB
Nominal impedance:	6 ohm
Frequency response (-6dB)	140Hz-78kHz
Drivers:	HF: 15mm (5/8 inch) titanium dome, Neodymium magnet system. LF: 75mm (3 inch) paper cone
Crossover frequency	4.5kHz (mid to high) 140Hz (to subwoofer)
Magnetic shielding:	Yes
Weight:	750gms (1.65lbs)
Dimensions H x W x D:	140 x 97 x 95mm 5 1/2 x 3 7/8 x 4 3/16 inch
Finish	Silver or black
Supplied accessories	Wall mounting brackets 25 metres (82 ft 6") speaker cable
Optional accessories	Satellite floor stands available in matching silver & black

SUBWOOFER	
PERFORMANCE	
Power output	100W RMS
Frequency response (-6dB)	45Hz - 140Hz
Driver	200mm (8 inch) paper cone
Inputs	Twin line or speaker level
Power requirements	115 or 230V AC / 50 - 60 Hz, switching facility on amplifier panel, 160VA max.
Fuse ratings	AC100-120V / 60Hz - Fuse: T1.6A L / 125V AC 220-240V / 50Hz - Fuse: T800mA L / 250V
Additional features	ON / OFF / AUTO power function
Weight	10kg (22lbs)
Dimensions H x W x D	400 x 230 x 405mm 15.75 x 9.0 x 16.0 inch
Finish	Silver or black

Due to our policy of continuous improvement, this is a specification update sheet that should be read along with the manual as it provides the latest correct information. All specifications may be subject to further change without notice.



IMPORTANT

A mains cable is supplied - where the moulded plug is fitted with a mains fuse, always replace with the same type and rating. If the fitted plug is unsuitable for your type of outlet sockets, it should be cut off and disposed of safely. The wires in the mains cable are coloured in accordance with the following code:

GREEN AND YELLOW	EARTH
BLUE	NEUTRAL
BROWN	LIVE

As the colours of the wires in the mains cable may not correspond with the coloured markings identifying the terminals in your plug, proceed as follows:

- The wire that is coloured GREEN and YELLOW must be connected to the terminal in the plug that is marked either by the letter E, the earth safety symbol, or coloured GREEN or GREEN and YELLOW.
- The wire which is coloured BLUE must be connected to the terminal in the plug which is marked by the letter N or coloured BLACK.
- The wire which is coloured BROWN must be connected to the terminal in the plug which is marked by the letter L or coloured RED.
- Ensure that the terminals are tightened securely, and no loose strands of wire are present. Ensure cord grip is clamped over outer sheath of cable, rather than over the wires.

FUSE PROTECTION

An additional mains fuse is provided in the IEC power inlet on the amplifier panel, removable with a screwdriver. A fuse of the same type and rating must always replace this.

The correct type is 5mm x 20mm Time Delay (Type T):

- T1.6AL / 125V for AC 220-240V / 50Hz operation,
- T800mAL / 250V for AC100-120V / 60Hz operation.

TANNOY

Tannoy Limited, Home Audio Division, Coatbridge, Scotland, ML5 4TF.

Tel: +44 (0) 1236 420199 Fax: +44 (0) 1236 428230

e-mail: sales@tannoy.com www.tannoy.com

Tannoy adopts a policy of continuous improvement and product specification is subject to change.

FOR YOUR OWN PROTECTION

- Store the complete packaging in case it is needed for re-use.
- Never expose the unit to moisture, water and extremes of temperature or humidity. Specifically, the unit shall not be exposed to dripping or splashing and that no objects filled with liquids, such as vases, shall be placed on the unit. Allow 150mm behind the unit to allow for sufficient ventilation. Articles such as newspapers, tablecloths, curtains etc must not impede the ventilation. Do not operate with the rear panel facing a radiator or heater. No naked flame sources, such as lighted candles, should be placed on the apparatus.
- Never remove the rear panel of the unit, as there is a risk of electric shock.
- There are no user serviceable parts inside the unit. Always refer servicing to your Tannoy dealer or authorised service agent.
- Avoid violent shocks to the unit during packing or transportation.
- Do not plug the unit into the mains until all other connections have been made and checked.
- Due to the powerful magnet within FX 5.1 subwoofer, do not place within 1m of a television or computer monitor.
- When set to the 'standby' and 'off' functions, a small amount of current continues to flow to the apparatus when not in use. If not used for a long period of time, it is recommended that the apparatus is completely disconnected at the AC mains socket.
- Terminals marked with the flash symbol are hazardous live and the external wiring connected to these terminals requires installation by an instructed person or the use of a ready-made lead or cord.
- This apparatus is designed for use in moderate climates.

WARRANTY

Please complete and return the enclosed warranty registration document - this does not limit your legal rights. This equipment has been produced and tested with care and precision. It is built to give first class service and carries a 1-year warranty. If the equipment proves to be defective within this period for any reason other than accident, misuse, unauthorised modification or fair wear and tear, Tannoy will repair any such defect or, at our option, replace it without charge for parts, labour or return carriage. This warranty is given in addition to the customer's statutory rights.

If you suspect a problem with your loudspeakers, please contact your local Tannoy dealer who will be able to advise on appropriate action.

Free Manuals Download Website

<http://myh66.com>

<http://usermanuals.us>

<http://www.somanuals.com>

<http://www.4manuals.cc>

<http://www.manual-lib.com>

<http://www.404manual.com>

<http://www.luxmanual.com>

<http://aubethermostatmanual.com>

Golf course search by state

<http://golfingnear.com>

Email search by domain

<http://emailbydomain.com>

Auto manuals search

<http://auto.somanuals.com>

TV manuals search

<http://tv.somanuals.com>