

iW

# DEFINITION INSTALL

INWALL RANGE USER MANUAL



**TANNOY**<sup>®</sup>

## CONTENTS

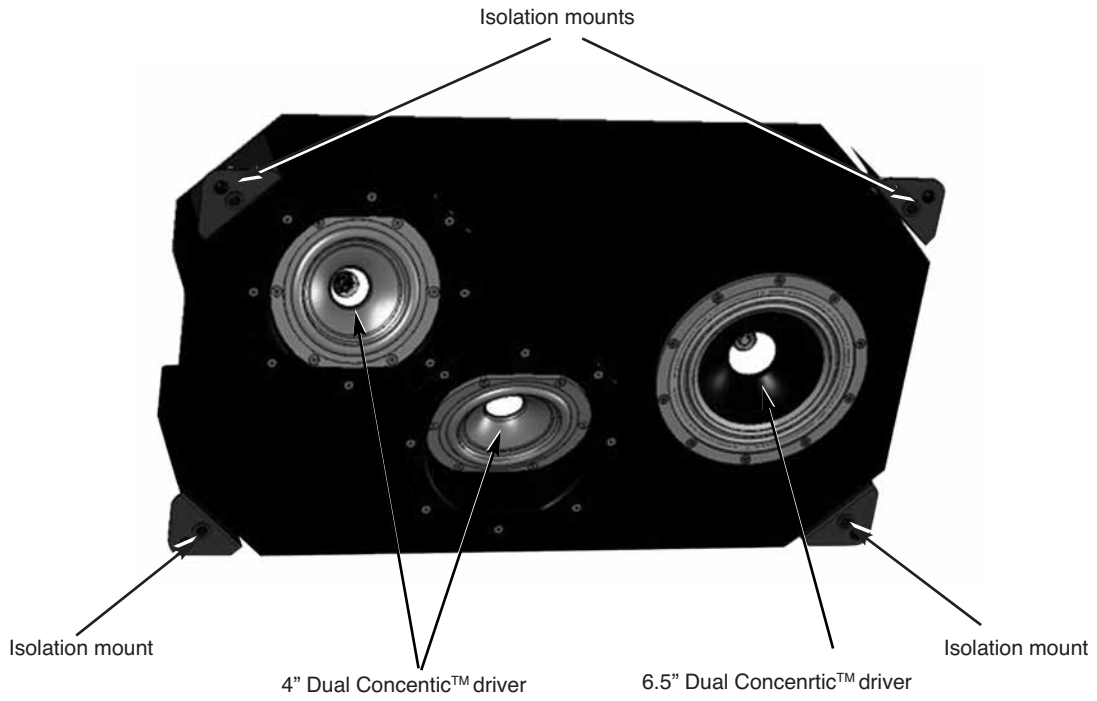
2	<b>SAFETY INSTRUCTIONS</b>
3 -4	<b>PRODUCT IDENTIFICATION</b>
5-6	<b>INSTALLATION GUIDELINES</b>
7	<b>PRODUCT DIMENSIONS</b>
8	<b>TECHNICAL SPECIFICATIONS</b>
9	<b>WARRANTY STATEMENT</b>
10	<b>DECLARATION OF CONFORMITY</b>

# SAFETY INSTRUCTIONS

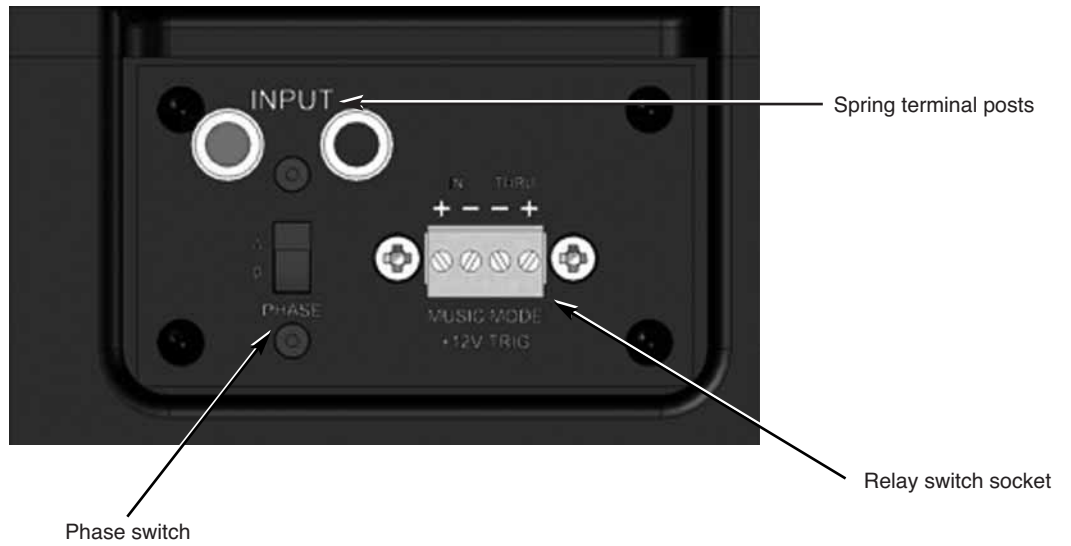
1. Read these instructions.
2. Keep these instructions.
3. Heed all warnings.
4. Follow all instructions.
5. The user is responsible for fixing the hardware to the surface to ensure safe operation. The fixings must support the weight of the product – please consult the manual’s specification page for the appropriate weights. Please consult the relevant construction codes in your region for further information on suitable hardware fixing methods.
6. Some regional construction codes require the use of a secondary method of securing loudspeakers to surfaces to provide security of a back-up support. A secondary support line should be attached from the safety loop on the rear of the product to a source point on the wall. Please consult the relevant construction codes in your region.
7. Tannoy will not be held accountable for any damage caused by incorrect installation.

# PRODUCT IDENTIFICATION

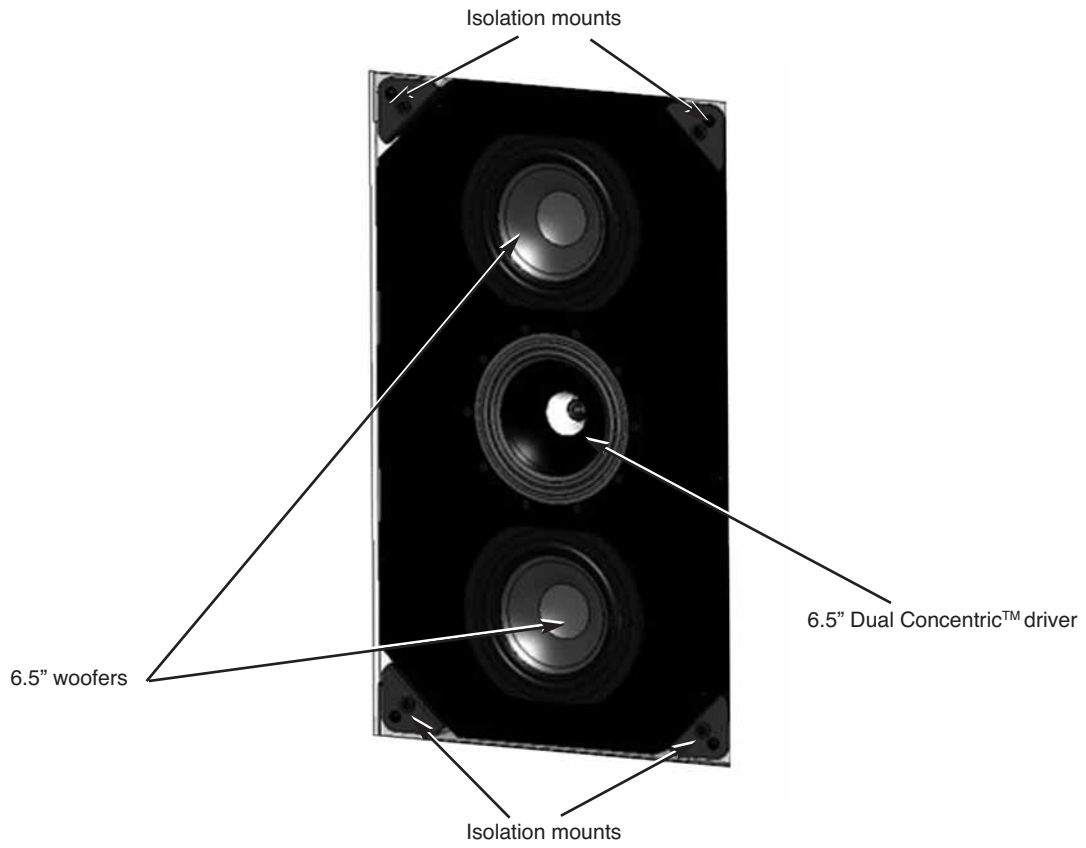
## IW60 EFX FRONT



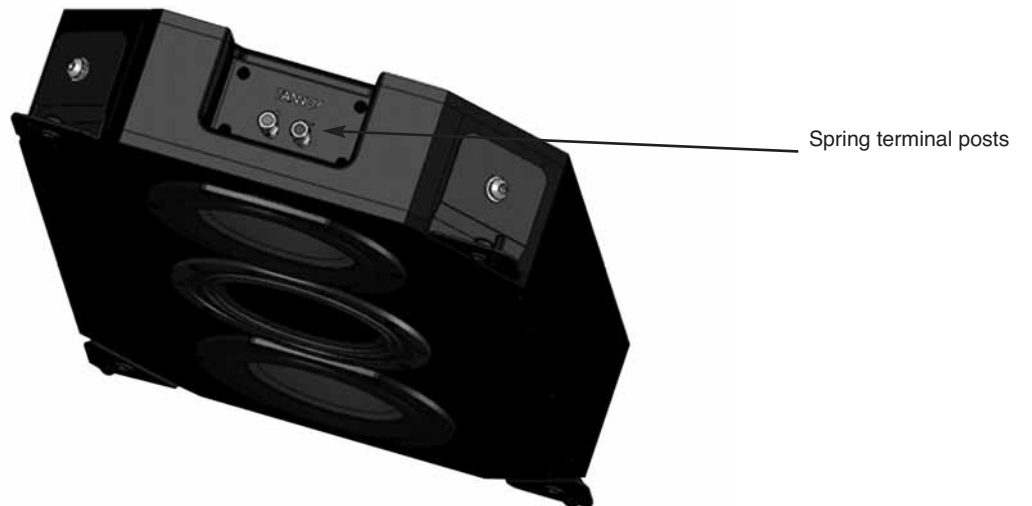
## IW60 EFX TOP



**IW63 DC FRONT**



**IW63 DC TOP**



# INSTALLATION GUIDELINES

1. Fit the pre-install bracket frame to the 2ft x 4 ft wooden studs by using suitable fixings (fixings not supplied). **See Fig 1**

**SAFETY NOTICE:** The user is responsible for fixing the hardware to the surface to ensure safe operation.

2. Lay the cables

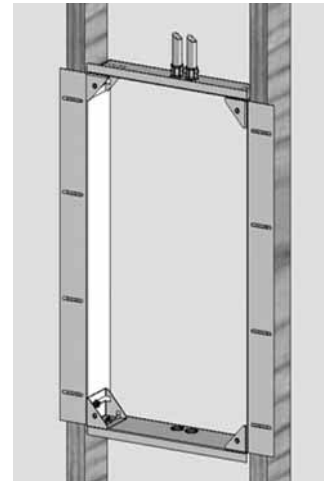
(i) Lay the loudspeaker cable from the amplifier to the installed pre-mount frame. See point 5 for connection instructions.

(ii) **iw60EFX only:** Note that the iw60EFX features a 12V relay switch which allows the speaker to toggle between “Cinema” and “Music” modes if the AV receiver supports this function. To use this facility you will need to lay two-core loudspeaker cable from the AV receiver to the first iw60EFX pre-mount frame then lay loudspeaker cable from that location to the next iw60EFX pre mount frame to allow daisy-chaining. See point 6 for connection instructions.

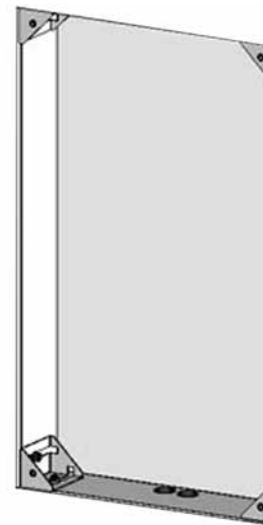
**NOTE:** The pre-install frame has four 21mm diameter holes to accommodate cables or even conduit, if required (two are positioned at the top and at two are positioned at the bottom). These holes are blocked off by grommets. Simply knock out the appropriate grommets and pass the cables or conduit through the appropriate holes

3. Complete the wall, leaving the pre-install frame exposed. **See Fig 2**

4. Connect the loudspeaker cables. The positive terminal on the amplifier channel (marked + or coloured red) must be connected to the positive terminal on the loudspeaker (coloured red). The negative terminal on the amplifier channel (marked - or coloured black) must be connected to the negative terminal on the loudspeaker (coloured black). pre-install frame exposed. **See Fig 3**



**Fig 1.**



**Fig 2.**



**Fig 3.**

5. **iw60EFX only:** Note that the iw60EFX features a 12V relay switch which allows the speaker to toggle between “Cinema” and “Music” modes if the AV receiver supports this function.

**Cinema Mode:** This is the default mode of the iw60EFX. The two optimally aligned 100mm (4.00”) Dual Concentric™ drivers generate a wide and even flow of acoustic energy over a large area for a diffuse room filling ambience. The 6.50” Dual Concentric driver is inactive in Cinema mode.

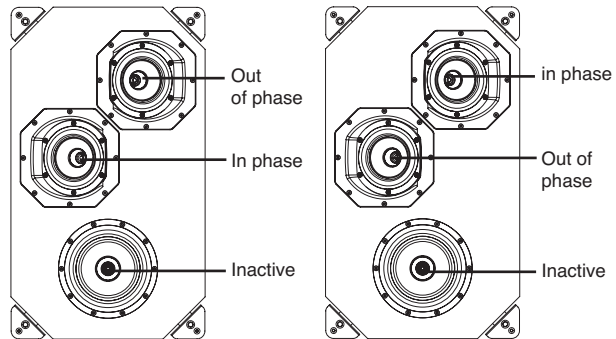
The 4” duals are always out-of-phase with each other in cinema mode. The iw60EFX features a phase switch which inverts the phase of both the 4.00” drivers. Please refer to the following diagrams for reference. **See Fig 4**

When using left and right iw60EFX speakers, the phase switch on the left iw60 EFX speaker should be in the opposite position from the phase switch on the right iw60 EFX speaker. Please refer to the following diagram for reference. **See Fig 5**

**Music Mode:** This is the direct radiating set up where the 165mm (6.50”) constant directivity Dual Concentric™ driver produces a more localised and focused sound, highlighting the distinct separation afforded by modern programme material. The two 4.00” Dual Concentric drivers are inactive in Music mode. Music mode is selected by using a 12V trigger from the AV receiver. **See Fig 6**

To setup this relay switching facility, use loudspeaker cable to connect the + and - relay switch outputs from the AV receiver to the + and - relay switch inputs on the iw60EFX, remembering to observe correct polarity. The relay input switch socket is a euro-type socket with a loop-through facility, allowing the relay connections on each iw60EFX to be daisy-chained. **See Fig 7**

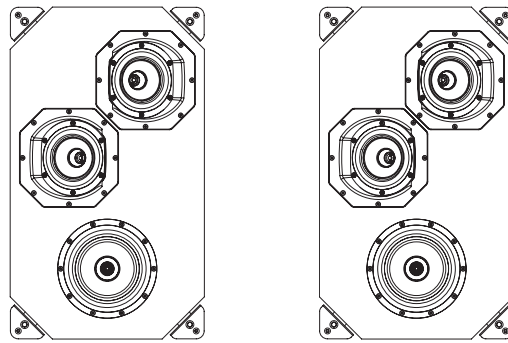
6. Offer the loudspeaker up to the pre-install frame and fix the four isolation mounts to the pre-install frame using the supplied fixings then attach the grille by pushing it onto the baffle. **See Fig 8**



Cinema mode active with the phase switch in the UP position.

Cinema mode active with the phase switch in the DOWN position.

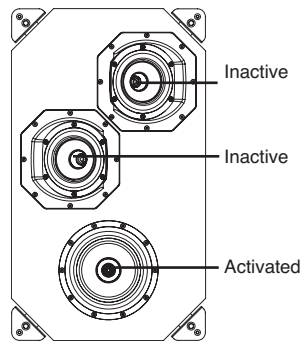
**Fig 4.**



LEFT SPEAKER PHASE SWITCH = DOWN

RIGHT SPEAKER PHASE SWITCH = UP

**Fig 5.**

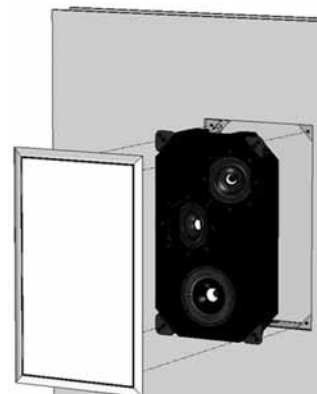


Music mode

**Fig 6.**



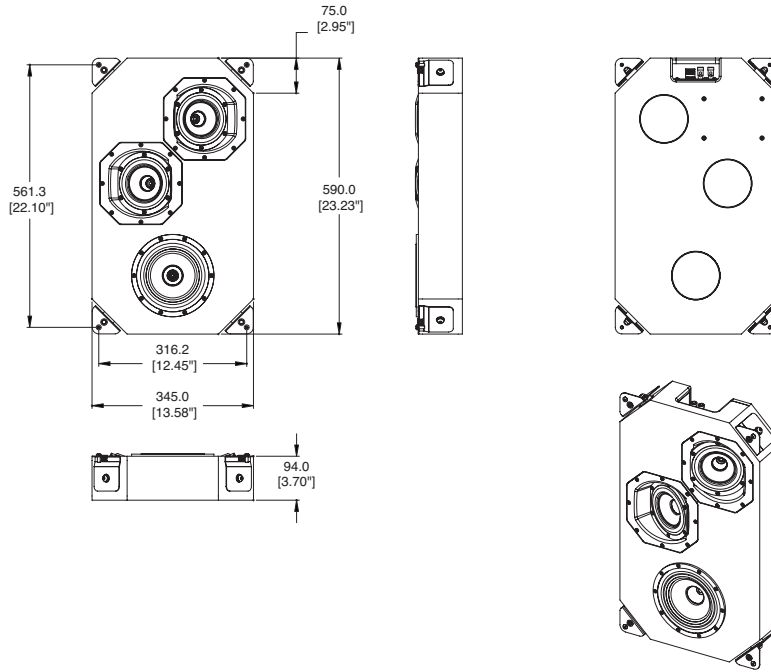
**Fig 7.**



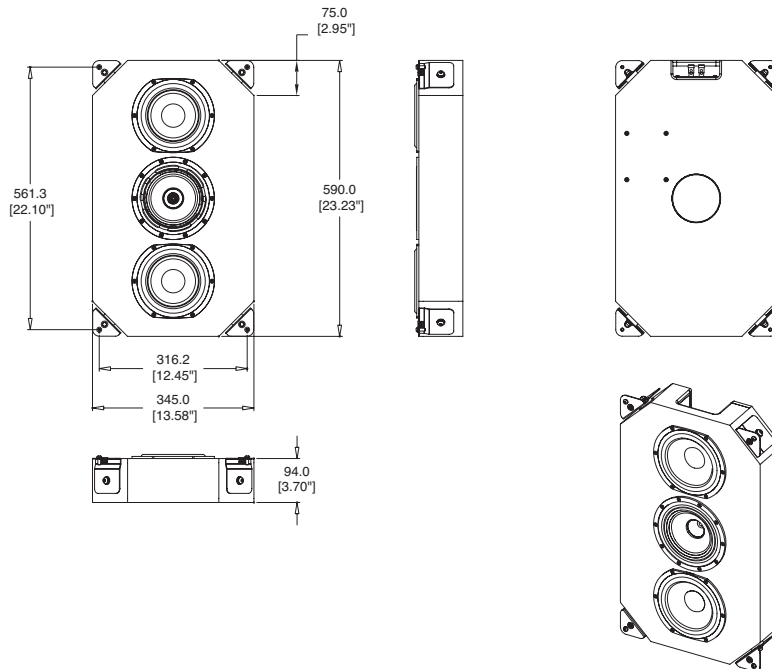
**Fig 8.**

# PRODUCT DIMENSIONS

## DEFINITION IW60 EFX



## DEFINITION IW63





# TECHNICAL SPECIFICATIONS FULL RANGE MODELS

SYSTEM	IW60 EFX	IW63
<b>Frequency Response (-3dB) <sup>(1,4)</sup></b>	110Hz - 23kHz	80Hz - 28kHz
<b>Frequency Range (-10dB) <sup>(1,4)</sup></b>	74Hz - 27kHz	54Hz - 40kHz
<b>System Sensitivity (1W @1m) <sup>(2,4)</sup></b>	90dB (1W = 2.83V for 8 ohms)	91dB (1W = 2.83V for 8 ohms)
<b>Nominal Coverage Angles</b>	90 degrees Conical in music mode 120 degrees H x 90 degrees cinema mode	90 degrees Conical 120 degrees Conical
<b>Coverage Angle (1kHz to 6kHz)</b>	120 degrees	120 degrees Conical
<b>Directivity Factor (Q)</b>	3.5 averaged 1kHz to 6kHz	3.5 averaged 1kHz to 6kHz
<b>Directivity Index (DI)</b>	5.5 averaged 1kHz to 6kHz	5.5 averaged 1kHz to 6kHz
<b>Power Handling <sup>(3)</sup></b>	Average 100W Programme 200W Peak 400W	100W 200W 400W
<b>Recommended Amplifier Power</b>	200W @ 8 Ohms	200W @ 8 Ohms
<b>Rated Maximum SPL<sup>(3)</sup></b>	Average 110dB Peak 116dB	111dB 117dB
<b>Nominal Impedance</b>	8 Ohms music mode 4 Ohms cinema mode	8 Ohms
<b>Crossover</b>	1.6kHz	320Hz, 1.5kHz
<b>Distortion 10% Full Power</b>	(8.94V) 2nd Harmonic 3rd Harmonic	(8.94V) 2nd Harmonic 3rd Harmonic
250Hz	1.84% 0.30%	0.18% 0.08%
1kHz	0.34% 0.61%	0.89% 1.05%
10kHz	0.91% 0.17%	1.30% 0.18%
<b>Distortion 1% Full Power</b>	(2.83V) 2nd Harmonic 3rd Harmonic	(2.83V) 2nd Harmonic 3rd Harmonic
250Hz	0.19% 0.35%	0.90% 0.38%
1kHz	0.40% 0.32%	0.39% 0.61%
10kHz	0.46% 0.89%	0.54% 0.55%
<b>TRANSDUCERS</b>		
<b>Music Mode</b>	1 x 165mm (6.5") constant directivity Dual Concentric™	—
<b>Cinema Mode</b>	2 x 100mm (4.0") Dual Concentric™ in dipole configuration	—
<b>Low Frequency</b>	—	2 x 165mm (6.5") woofers
<b>Mid and High Frequency</b>	—	1 x 165mm (6.5 constant directivity Dual Concentric™)
<b>CONSTRUCTION</b>		
<b>Enclosure</b>	11.5 litre (net total volume), closed and internally braced MDF enclosure	11.5 litre, closed and internally braced MDF enclosure
<b>Finish</b>	Textured black paint White powder coated perforated steel grille, foam behind	Textured black paint White powder coated perforated steel grille, foam behind
<b>Connectors</b>	Gold plated spring terminals	Gold plated spring terminals
<b>Controls</b>	Mode selection input (12VDC relay activated via Dinkle connector Polarity switch)	—
<b>Dimensions (H x W x D)</b>	590mm x 345mm x 94mm (23.23" x 13.58" x 3.70")	590mm x 345mm x 94mm (23.23" x 13.58" x 3.70")
<b>Weight</b>	9.5kg	10.5kg
<b>Accessories</b>	Installation kit required (not included)	Installation kit required (not included)

**Notes** <sup>(1)</sup> Average over stated bandwidth. Measured in an IEC baffle in an Anechoic Chamber

<sup>(2)</sup> Unweighted Pink noise input, measured at 1m on axis

<sup>(3)</sup> Long term power handling capacity as defined in EIA - 426B test

<sup>(4)</sup> Music Mode

<sup>(5)</sup> Cinema mode. For music mode refer to IW63 data

A full range of measurements, performance data, and Ease™ Data can be downloaded from [www.tannoy.com](http://www.tannoy.com). Tannoy operates a policy of continuous research and development.

The introduction of new materials or manufacturing methods will always equal or exceed the published specifications, which Tannoy reserves the right to alter without prior notification.

## WARRANTY STATEMENT

**No maintenance of the Definition loudspeaker is necessary.**

**Please register your Tannoy product online at [www.tannoy.com](http://www.tannoy.com).**

All of our products have been produced and tested with care and precision to give first-class service.

All passive components are guaranteed for a period of five years from the date of purchase from an authorised Tannoy dealer subject to the absence or evidence of misuse, overload, or accidental damage.

All active and electronic components are guaranteed for a period of one year from the date of purchase from an authorised Tannoy dealer subject to the absence of, or evidence of, misuse, overload or accidental damage.

If at any time during this warranty period the equipment proves to be defective for any reason other than accident, misuse, neglect, unauthorised modification or fair wear and tear, we will repair any such manufacturing defect or, at our option, replace it without charge for labour, parts or return carriage.

If you suspect a problem with a Tannoy product then, in the first instance, discuss it with your Tannoy dealer. If you require further assistance then we ask that you deal directly with your local Tannoy distributor. If you cannot locate your distributor please contact Customer Services, Tannoy Ltd at the address given below.

Customer Services, Tannoy Ltd., Rosehall Industrial Estate, Coatbridge, Strathclyde ML5 4TF, Scotland

Telephone:   01236 420199       (National)  
                  +44 1236 420199       (International)  
Fax:           01236 428230       (National)  
                  +44 1236 428230       (International)  
E-mail:       enquiries@tannoy.com

### **DO NOT SHIP ANY PRODUCT TO TANNOY WITHOUT PREVIOUS AUTHORISATION**

Our policy commits us to incorporating improvements to our products through continuous research and development. Please confirm current specifications for critical applications with your supplier.

# DECLARATION OF CONFORMITY

The following apparatus is manufactured in the UK at Tannoy Ltd of Rosehall Industrial Estate, Coatbridge, Scotland, ML5 4TF and conform(s) to the protection requirements of the European Electromagnetic Compatibility Standards and Directives relevant to Domestic Electrical Equipment. The apparatus is designed and constructed such that electromagnetic disturbances generated do not exceed levels allowing radio and telecommunications equipment and other apparatus to operate as intended, and, the apparatus has an adequate level of intrinsic immunity to electromagnetic disturbance to enable operation as specified and intended.

**Details of the Apparatus:** Tannoy Contractor Loudspeaker  
Model Number: Definition Install

**Associated Technical File:** EMCi6

**Applicable Standards:** EN 50081-1 Emission  
EN 50082-1 Immunity



**Signed:**  
**Position:**

Director of Engineering (Professional)  
Date: 18th Oct. 07

Tannoy United Kingdom	T: 00 44 (0) 1236 420199	E: enquiries@tannoy.com
Tannoy North America	T: 00 1 (519) 745 1158	E: inquiries@tannoyna.com
Tannoy Deutschland	T: 00 49 (180) 1111 881	E: anfragen@tannoy.com
Tannoy France	T: 00 33 (0)1 7036 7473	E: ventes@tannoy.com



tannoy®.com

## Free Manuals Download Website

<http://myh66.com>

<http://usermanuals.us>

<http://www.somanuals.com>

<http://www.4manuals.cc>

<http://www.manual-lib.com>

<http://www.404manual.com>

<http://www.luxmanual.com>

<http://aubethermostatmanual.com>

Golf course search by state

<http://golfingnear.com>

Email search by domain

<http://emailbydomain.com>

Auto manuals search

<http://auto.somanuals.com>

TV manuals search

<http://tv.somanuals.com>