



# BG-M SERIES

## MODULAR MIXER/ AMPLIFIERS

**BG-1015**

**BG-1030**

**BG-1060**

**BG-1120**

TOA BG-M SERIES MIXER/AMPLIFIERS are ideal for a wide variety of installed sound applications such as paging, music distribution and messaging-on-hold. Engineered with unmatched TOA quality and reliability, the versatile BG-M Series is loaded with useful features and an essential tool for any sound system designer or contractor.

The BG-M Series Mixer/Amplifiers are comprised of four models, **BG-1015** (15 W), **BG-1030** (30 W), **BG-1060** (60 W) and **BG-1120** (120 W), all built with a compact, space-saving chassis design. Input channels include: microphone and telephone paging inputs, program and auxiliary music inputs plus a flexible module slot compatible with industry-standard TOA 900 Series modules which have an extensive array of features and connector types. Outputs include transformer-isolated 25 V, 70 V and 4 ohm, balanced, line-level Music-On-Hold plus a 1 watt output for driving an additional 8 ohm speaker zone.

Muting modes include an Auto-Mute function for voice-activated paging override of the BGM channels without interrupting the MOH output. External mute terminals allow you to activate the mute function with an external switch-closure.

Other features include bass/treble controls, insert jacks and Signal, Clip, and Power indicators. Built-in protection circuitry and an AC mains circuit breaker ensure long life and outstanding reliability.

Accessories include optional rack-mount kits and volume control security knobs to protect settings.

The BG-M Series is UL and cUL listed with competitive pricing and a five-year warranty.



## HIGHLIGHTS

- **Compact Five Channel Mixer/Amplifiers** for paging, background/foreground music distribution and music/messaging-on-hold.
- **Proven TOA Quality and Reliability**
- **Engineered for High Performance** with wide frequency response, very low noise and distortion, and excellent output regulation.
- **Four Models:**  
**BG-1015** (15 W), **BG-1030** (30 W)  
**BG-1060** (60 W), **BG-1120** (120 W)
- **900 Series Module Slot** with Page/BGM switch accepts most TOA plug-in modules for custom system configurations.
- **25 V, 70 V and 4 Ohm Speaker Outputs** with screw terminal connector and protective cover plate.
- **Microphone Page Input**, balanced, with screw terminal connector and 24 VDC phantom power.
- **Telephone Page Input**, balanced, transformer-isolated with screw terminal connector and switchable 600/10k ohm input impedance.
- **Program (PGM) Input**, balanced, with screw terminal connector.
- **Auxiliary (AUX) Input**, unbalanced, with dual-RCA jacks for convenient connection of stereo sources.
- **Music-On-Hold (MOH) Output**, balanced, with screw terminal connector.
- **Internal Signal Routing Jumpers** for assigning AUX/PGM and module to main and/or MOH outputs.
- **1 Watt Zone Output**, 8 ohm, with screw terminal connector.
- **Auto-Mute Function** allows voice-activated paging override of AUX/PGM and/or module without interrupting the MOH output.
- **Auto-Mute SENSE Control** for adjusting mute activation threshold.
- **Selectable Muting Modes** for versatile priority paging configurations.
- **External Mute Terminals** for activating mute function with external switch-closure.
- **Bass/Treble Tone Controls** affect only the AUX/PGM channels to the main speaker output.
- **Insert Jacks** for connecting external signal processor.
- **Signal, Clip, and Power Indicators** provide unit status.
- **Rear Panel AC Convenience Outlet** with circuit breaker for powering external equipment.
- **Turn-On Delay** disconnects output during power-up.
- **Over-current and Thermal Protection Circuitry** prevents potential damage from overloads, short-circuit and overheating.
- **AC Mains Circuit Breaker**
- **Volume Control Security Knobs Included (5)**
- **Optional Rack-Mount Kit**
- **UL / cUL Listed**
- **Five Year Warranty**

## OPTIONAL ACCESSORIES

**Plug-in Modules** (see individual module specifications)

**MB-1000** Rack-mount Kit (2 RU)

**PF-013B** Perforated Rack Panel (1 RU)

**YA-920** Volume Control Security Knob

**900 Series Module Guide** available from <http://www.toaelectronics.com>

# SPECIFICATIONS

BG-M SERIES  
MODULAR MIXER/AMPLIFIERS

Tel: 800-733-7088  
Fax: 800-733-9766  
www.toaelectronics.com



<b>Type</b>	Five channel mixer/amplifier
<b>Output Power</b>	<b>BG-1015:</b> 15 W RMS, <b>BG-1030:</b> 30 W RMS, <b>BG-1060:</b> 60 W RMS, <b>BG-1120:</b> 120 W RMS
<b>Frequency Response</b>	50 - 20k Hz ( $\pm 3$ dB)
<b>Total Harmonic Distortion</b>	0.05% at 1k Hz, rated output
<b>Inputs</b>	<p>Mic: -60 dBV, 600 <math>\Omega</math>, electronically balanced, screw terminal, 24 VDC phantom power</p> <p>Tel: -20 dBV, 10k <math>\Omega</math>/600 <math>\Omega</math>, transformer-balanced, screw terminal</p> <p>Program: -10 dBV, 10k <math>\Omega</math>, electronically-balanced, screw terminal</p> <p>Aux: -10 dBV, 47k <math>\Omega</math>, unbalanced, 2 x RCA pin jack (stereo-sum)</p> <p>Module: Specifications dependent on module type.</p> <p>Power IN: 0 dBV, 10k <math>\Omega</math>, unbalanced, RCA pin jack</p> <p>Mute: screw terminal</p>
<b>Outputs</b>	<p>Main: 4 <math>\Omega</math>, 25 and 70 V, balanced, screw terminal</p> <p>Sub/Zone: 1 W / 8 <math>\Omega</math>, unbalanced, screw terminal</p> <p>MOH: 0 dBV, 600 <math>\Omega</math>, balanced, screw terminal</p> <p>Preamp OUT: 0 dBV, 600 <math>\Omega</math>, unbalanced, RCA pin jack</p>
<b>Output Regulation</b>	Less than 2 dB, no load to full load
<b>Muting/ Priority Override</b>	Mic, Telephone, Module (Page mode) Over-ride of Auxiliary, Program, Module (BGM mode) Automute and/or External Switch Closure
<b>External Mute Modes</b> (activated with switch-closure)	<p>A: Mic, Tel, Module (Page mode) normally ON, no change with switch closure Aux, Program, Module (BGM mode) normally ON, activates to OFF with switch closure</p> <p>B: Mic, Tel, Module (Page mode) normally OFF, activates to ON with switch closure Aux, Program, Module (BGM mode) normally ON, activates to OFF with switch closure</p>
<b>Module Slot</b>	<p>Card edge connector connects to audio input and output points of TOA 900 Series modules. Use of Mute-type modules is not required in BG-M Series models. Mute function is determined by Module Mode switch.</p> <p><a href="#">Module Mode Switch</a></p> <p>Page: module input signal mixes with Mic/Tel inputs and activates Auto-Mute function</p> <p>BGM: module input signal mixes with Aux and Program inputs and responds to Auto-Mute / External Mute functions</p>
<b>Internal Jumper Settings</b>	<p>Phantom Power (Mic input)</p> <p>Mic, Tel, Module (Page mode) Automute routing and assignment</p> <p>Aux, Program, Module (BGM mode) MOH/Zone routing</p>
<b>Dynamic Range</b>	Mic: 60 dB, Telephone: 75 dB, Program: 75 dB, Aux: 75 dB (Band Pass: 20 Hz - 20k Hz, with Tone Controls centered)
<b>Tone Controls</b>	<p>Bass: <math>\pm 10</math> dB at 100 Hz, Treble: <math>\pm 10</math> dB at 10k Hz</p> <p>Controls affect only Program, Auxiliary and Module (BGM mode) inputs</p>
<b>Cooling Fan Speed</b>	Variable by heat sink temperature (BG-1060 and BG-1120)
<b>Indicators</b>	Power, Signal, and Peak LEDs
<b>Power Source</b>	120 VAC, 60 Hz
<b>Power Consumption</b> (Rated output)	<b>BG-1015:</b> 50 W, <b>BG-1030:</b> 80 W, <b>BG-1060:</b> 160 W, <b>BG-1120:</b> 260 W
<b>Protection</b>	Self protection, with 1 AC circuit breaker (external)
<b>Other Features</b>	<p>AC Outlet, 3-pin grounding type</p> <p>Automatic electronic drive limiter</p> <p>Output disconnected for approx. 3 seconds after the unit is turned on</p>
<b>Finish</b>	Panel: ABS resin, black Case: Steel plate, black
<b>Dimensions (W x H x D)</b>	10.39" x 4.23" x 11.02" (264 x 107.4 x 280 mm)
<b>Weight</b>	<b>BG-1015:</b> 9.92 lbs (4.5 kg), <b>BG-1030:</b> 10.58 lbs (4.8 kg), <b>BG-1060:</b> 12.35 lbs (5.6 kg), <b>BG-1120:</b> 14.11 lbs (6.4 kg)
<b>Accessories</b>	5 x Volume Control Security Knobs: <b>YA-920</b>

## APPLICATIONS

AV Rentals	Boardrooms	Hotels / Hospitality	Public Address
Airports	Business Music	Houses of Worship	Restaurants
Audio/Visual	Conference Facilities	Industrial / Warehouses	Retail Stores
Auditoriums / Theatres	Convenience Stores	Museums	Theme Parks
Banks	Educational Facilities	Music Distribution	Training Rooms
Bars / Lounges / Nightclubs	Fitness Clubs / Gymsnasiums	Offices	

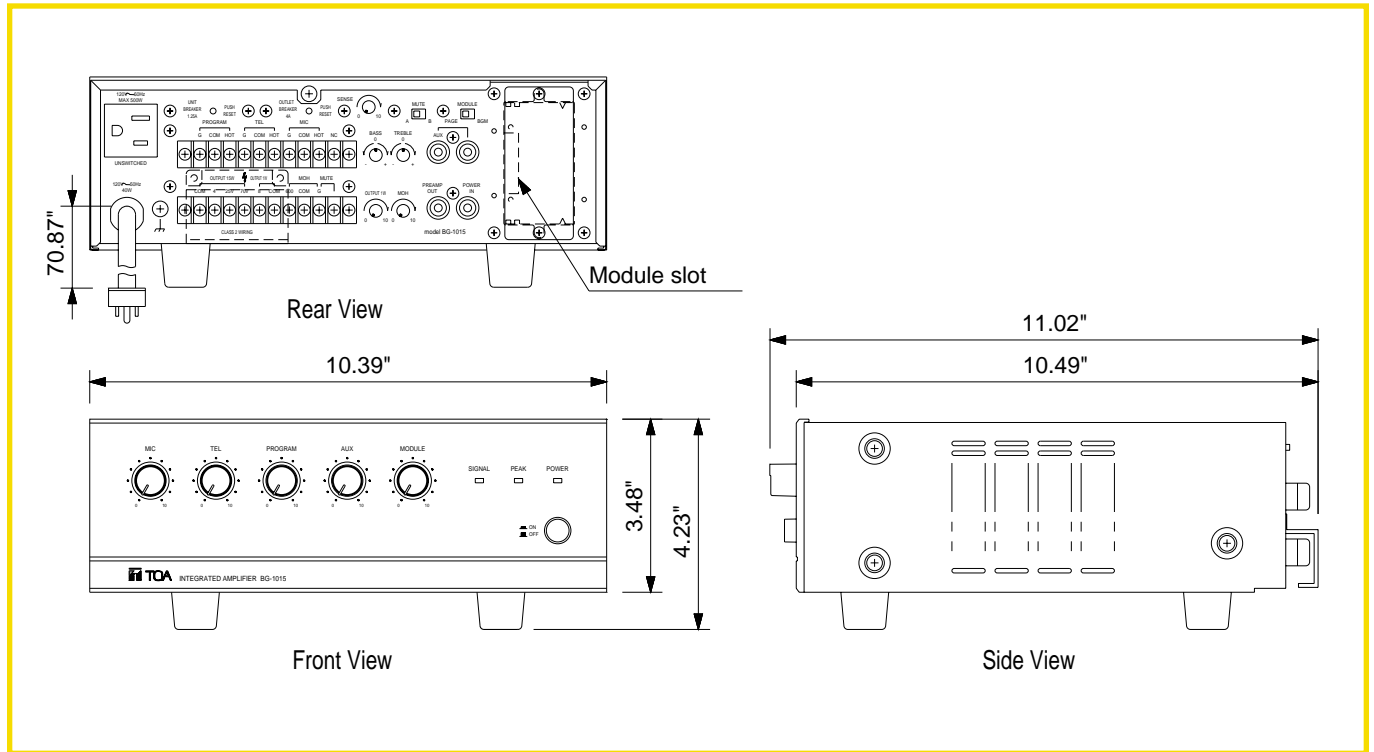


BG-M SERIES  
MODULAR MIXER/AMPLIFIERS

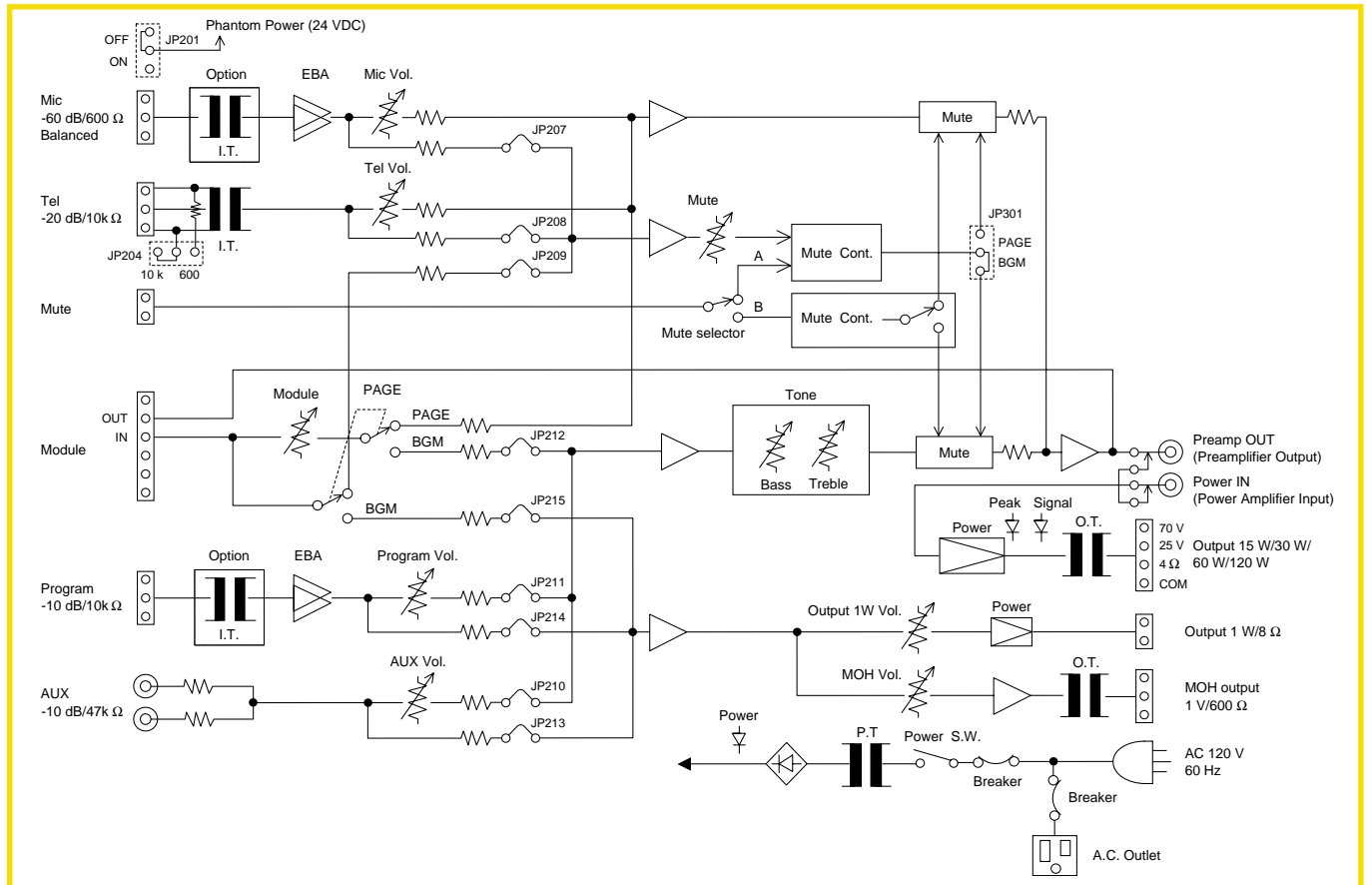
Tel: 800-733-7088  
Fax: 800-733-9766  
www.toaelectronics.com

# SPECIFICATIONS

## DIMENSIONAL DRAWING



## BLOCK DIAGRAM





TOA ELECTRONICS, INC.  
 601 GATEWAY BLVD., SUITE 300  
 SOUTH SAN FRANCISCO, CA 94080  
 TEL: 800-733-7088  
 FAX: 800-733-9766  
[www.toaelectronics.com](http://www.toaelectronics.com)

# BG-M SERIES MODULAR MIXER/ AMPLIFIERS



	Model	Description
Microphone Input Modules	ML-11T	Switchable Mic/Line Input Module, Balanced, Mute Send/Receive, Lo/Hi-Cut Filters, Removable Terminal Block
	M-01F	Microphone Input Module, Balanced, 200 $\Omega$ , Lo/Hi-Cut Filters, Female XLR
	M-01M	Same as M-01F with Male XLR
	M-01P	Same as M-01F with Phone Jack
	M-01S	Same as M-01F with Screw Terminals
	M-03P	Microphone Input Module, HiZ, Unbalanced, 50k $\Omega$ , Lo/Hi-Cut Filters, Phone Jack
	M-21S	Microphone Input Module, Balanced, 200 $\Omega$ , Lo/Hi-Cut Filters, Remote Vol. Control, Screw Terminals
	M-51F	Microphone Input Module, Balanced, 200 $\Omega$ , Lo-Cut Filter, Voice Gate, Female XLR
	M-51S	Same as M-51F with Screw Terminals
	M-61F	Microphone Input Module, Balanced, 200 $\Omega$ , Lo/Hi-Cut Filters, Compressor, Female XLR
	M-61S	Same as M-61F with Screw Terminals
Line Input Modules*	ML-11T	Switchable Mic/Line Input Module, Balanced, Mute Send/Receive, Lo/Hi-Cut Filters, Removable Terminal Block
	B-01F	Balanced Line Input Module, 10k $\Omega$ Transformer, Female XLR
	B-01S	Balanced Line Input Module, 10k $\Omega$ Transformer, Screw Terminals
	B-21S	Balanced Line Input Module, 10k $\Omega$ Transformer, Remote Volume Control, Screw Terminals
	L-01F	Line Matching Input Module, 600 $\Omega$ Transformer, Balanced, Female XLR
	L-01S	Same as L-01F with Screw Terminals
	U-01F	Line Input Module, Unbalanced, 220k $\Omega$ , Female XLR
	U-01P	Same as U-01F with Phone Jack
	U-01R	Same as U-01F with RCA Jack
	U-01S	Same as U-01F with Screw Terminals
	U-03R	Stereo Line Input Module, Lo/Hi-Cut Filters, Stereo Summing Dual RCA Jacks
	U-03S	Line Input Module, Lo/Hi-Cut Filters, Screw Terminals
	U-14R	Dual Input Module with AGC, Stereo Summing Dual RCA Jacks
	U-21S	Line Input Module, Unbalanced, 220k $\Omega$ , Remote Volume Control, Screw Terminals
U-61S	Line Input Module, Unbalanced, 220k $\Omega$ , Compressor, Screw Terminals	
Special Function Modules	E-03R	900 Series Processor Module for F-121C/CM Speakers, Dual RCA Jacks
	E-04R	900 Series Processor Module for H-1 Speakers, Dual RCA Jacks
	E-05R	900 Series Processor Module for H-2/H-2WP Speakers, Dual RCA Jacks
	E-06R	900 Series Processor Module for H-3/H-3WP Speakers, Dual RCA Jacks
	E-07S	900 Series Low Pass Filter Output Module for FB-100 and HB-1, Removable Terminal Block
	S-01S	Signal Generator Module, 1 kHz Sine Wave, Screw Terminals
	S-02S	Signal Generator Module, Buzzer/Yelp, Screw Terminals
	S-04S	Signal Generator Module, 8 Selectable Tones, Screw Terminals
	S-20S	Digital Message/Tone Module with USB, 3 Mins., 4 Selectable Messages, Removable Terminal Block
	T-01S	Line Output Module, Balanced, 600 $\Omega$ , Screw Terminals
	T-02S	Line Input Module for Music-on-Hold, Unbalanced, 220k $\Omega$ Input, 600 $\Omega$ Balanced Output, Screw Terminals
V-01S	Remote Master Volume Control Module, Line In/Out, Control In, 24 VDC Out, Interfaces to RDL RLC3	

\* For Line Input Modules: Use "B" modules w/ transformer isolation for balanced/unbalanced sources. Use "L" modules only for 600 ohm impedance matching. Use "U" for unbalanced sources w/ short cables ( $\leq 15$  feet).

Visit [www.toaelectronics.com](http://www.toaelectronics.com) to download:

- BG-M Series Architect and Engineering Specifications
- BG-M Series Installation Manual
- BG-M Series CAD Files

Download from [Www.Somanuals.com](http://Www.Somanuals.com). All Manuals Search And Download.

Literature Order #: L-BG-M-SERIES  
 Specifications subject to change without notice.  
 © 2007, TOA Electronics, Inc.

## Free Manuals Download Website

<http://myh66.com>

<http://usermanuals.us>

<http://www.somanuals.com>

<http://www.4manuals.cc>

<http://www.manual-lib.com>

<http://www.404manual.com>

<http://www.luxmanual.com>

<http://aubethermostatmanual.com>

Golf course search by state

<http://golfingnear.com>

Email search by domain

<http://emailbydomain.com>

Auto manuals search

<http://auto.somanuals.com>

TV manuals search

<http://tv.somanuals.com>