

delfino

INTELLIGENT COFFEE & SPICE GRINDER



Instruction Booklet
Model: DLCG-559

IMPORTANT SAFEGUARDS

When using electrical appliances, basic safety precautions should always be followed including the following:

1. Read all instructions carefully before use.
2. Never leave the appliance unattended while plugged into the wall outlet.
3. To protect against electrical hazards, do not immerse cord, plug or appliance in water or any other liquid or place in the dishwasher.
4. Close supervision is necessary when any appliance is used by or near children.
5. Unplug from outlet when not in use, when removing or putting on parts and before cleaning.
6. DO NOT operate any appliance with a damaged cord or plug or after the appliance has been damaged in any manner. Return appliance to Toastess for examination.
7. The use of accessories or attachments not recommended by Toastess may cause hazards.
8. DO NOT use outdoors.
9. DO NOT let cord hang over edge of table or counter, or touch hot surfaces.
10. Do not use appliance for other than intended use.
11. Do not place on or near a hot gas or electric burner or in a heated oven.
12. Always attach plug to appliance first, then plug cord into the wall outlet. To disconnect, turn any control to 'OFF', then remove plug from the wall outlet.
13. To avoid overheating the motor, do not use the Grinder continuously for more than 1 minute.
14. To avoid injury to persons and damage, always unplug the appliance and wait for the motor to stop completely, immediately after use and before assembling/disassembling or cleaning.
15. Never put your hands, wooden spoons or other foreign substances into the Grinding Bowl when the Grinding Bowl is assembled or the appliance is connected to the wall outlet.
16. Before using, ensure there are no foreign objects in the Grinder.

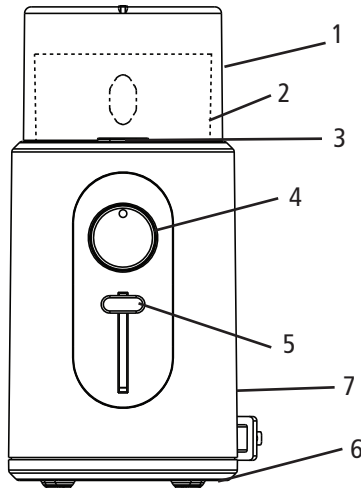
SAVE THESE INSTRUCTIONS
HOUSEHOLD USE ONLY

POLARIZED PLUG

This appliance has a polarized plug (one blade is wider than the other). To reduce the risk of electric shock, this plug will fit in a polarized outlet only one way. If the plug does not fit fully in the outlet, reverse the plug. If it still does not fit, contact a qualified electrician. Do not modify the plug in any way.

DESCRIPTION OF PARTS

1. Cover
2. Grinding Bowl
3. Start Button
4. Grind Selector Knob
5. Timer
6. Winding Wheel (cord storage)
7. Base



BEFORE FIRST USE

1. Remove all packaging.
2. Turn the Cover counterclockwise and remove.
3. Turn the Grinding Bowl counterclockwise and remove.
4. Wash both pieces in warm soapy water. Rinse and dry.

IMPORTANT: Be careful when wiping out the Grinding Chamber Bowl, the blade is very sharp.

5. Follow the instructions in the Care and Cleaning section to reassemble the appliance.

HOW TO USE

1. Turn the Cover counterclockwise and remove.
2. Ensure that the Grinding Bowl is empty and clean then pour whole coffee beans into the Grinding Bowl and fill to the desired level. (**NOTE:** The cup measurements are marked on the inside of the Grinding Bowl. The minimum is the 2 cup level, maximum is the 12 cup level. **NEVER** fill above the MAX level). Do not exceed 90g or 3.1 oz of coffee beans.
3. Place the Grinding Bowl and the Cover on the appliance. See the assembly instructions in the Care and Cleaning section. **NOTE:** The Coffee Grinder will not operate if the Cover and Grinding Bowl are not in the locked position.
4. Turn the Grind Selector Knob to the desired setting, coarse to fine.
5. Choose the desired number of cups on the timer.
6. Plug the Grinder into the wall outlet and press the Start button. Release the Button when the grinding has begun and the Grinder will stop automatically when the grinding is complete.

NOTE: To stop the grinding cycle at any time, push the Start Button. If the Start Button is pressed again, the Grinder will start from the beginning of the timed cycle.

IMPORTANT: Do not remove the Cover until the blades have stopped moving.

7. Remove the plug from the wall outlet.
8. Remove the Cover by turning counterclockwise.
9. Turn the Grinding Bowl counterclockwise and remove. You will hear a click when the Grinding Bowl is unlocked.

10. Use the coffee grounds immediately or place in an airtight container for storage.
11. Follow the instructions in the Care and Cleaning section.

GRIND SELECTOR CONTROL

The Grind Selector Control has 5 settings from coarse to fine. The setting that you choose will influence the strength of coffee.

- Coarse: coarse grained for percolators
- First mark: medium grained for French press coffee makers
- Second mark: fine grained for filter coffee makers
- Third mark: extra fine grained for espresso, latte macchiato and cappuccino
- Fine: super fine grained for Turkish coffee

Coffee Beans

Experimenting with the Grinder will enable you to get exactly the grind you prefer for your coffee. A fine grind exposes more surface to the water and therefore a more rapid rate of extraction of flavour. A coarser grind, which exposes little surface, is appropriate for the longer brewing cycle of percolators. Check your coffee maker instructions for the type of grind that is best.

For the freshest, most robust cup of coffee, grind only enough coffee for the pot you are making. If you are making a large pot, you may need to grind in two batches. Coffee beans will keep up to 2 months in the freezer (in an airtight container) and can be ground while still frozen. Fresh beans will yield the best flavour and aroma.

Tips for making espresso:

- a) The coffee must be finely ground but not too fine. The correct grind should look gritty like salt or sand.
- b) If the grind is too fine, the water will not flow through the coffee when brewing.
- c) If the grind is too coarse, the water will flow through too fast.

Herbs and Spices

Herbs and spices take on a fresh, more flavourful taste when freshly ground. Dried herbs can be combined and ground for a few seconds giving them more flavour. Peppercorns, when freshly ground, taste totally different from canned pre-ground pepper. Spices such as allspice, cardamom, celery seed, mustard seed & coriander seed grind very well.

Not Recommended

The Grinder will grind most dry or brittle substances. It WILL NOT grind anything which is moist, gummy or extremely hard (chocolate, nuts, whole nutmeg, candied ginger, etc.). It will not make pastes of any kind from seeds such as sunflower or sesame.

Grinding cinnamon, cloves and nutmeg is not advised as the oils and hardness can cause the plastic lid to pitted, discolor or crack. Grains such as corn, wheat, rice barley and rye may also cause damage to the Lid. Chopping, mincing or pureeing of soft foods is not recommended.

HELPFUL HINTS

1. Do not operate this appliance for longer than 1 minute at a time as this could cause overheating. Allow to cool for at least a few minutes after each use. Allow the appliance to cool down for 10 – 15 minutes after 1 minute of continuous use.
2. Do not force when the blade stalls as there could be a foreign substance wedged in the blade. Turn the appliance off, UNPLUG from the wall outlet and follow the instructions in the Before First Use section.
3. For best flavour, store coffee beans in an airtight container.
4. Grind coffee beans immediately before brewing.
5. The strength of the coffee depends on the grind fineness and the amount of coffee grounds. The finer the coffee grinds and the more ground coffee that is used, the stronger the taste.
6. Coffee flavour and strength is a personal preference. Vary the type of coffee beans, the amount of coffee and the fineness of the grind to find the flavour you prefer.

CARE AND CLEANING

Assembly

WARNING: To avoid injury to persons and damage, always unplug the appliance and wait for the motor to stop completely, immediately after operation and before assembling/disassembling or cleaning the appliance.

UNPLUG FROM THE WALL OUTLET.

Before each use, ensure the Grinding Bowl is empty and all parts are clean.

1. Assemble the Grinding Bowl by lining up the 3 tabs on the Grinding Bowl with the 3 slots in the top of the Base and turn the Grinding Bowl clockwise. You will hear a click when the Grinding Bowl is seated correctly in the Base.
2. Place the Cover onto the Grinding Bowl by aligning the 3 tabs on the Cover with the 3 slots in the Base. Turn the Cover clockwise.

NOTE: The Coffee Grinder will not operate without the Cover and Grinding Bowl in the locked position.

Power Cord

To retract the power cord, turn the wheel underneath the Base clockwise. To unwind the cord, gently pull the plug/power cord straight out from the Base.

Cleaning

1. Remove the Cover by turning it counterclockwise and lifting up.
2. Remove the Grinding Bowl by turning it counterclockwise and lifting up.
3. Wash the Cover and Grinding Bowl in warm soapy water. Rinse and dry.

NOTE: Do not place any parts of the appliance in the dishwasher.
IMPORTANT: Be careful when wiping out the Grinding Bowl, the blade is very sharp.

4. Wipe the outside of the appliance with a cloth dampened in warm soapy water. Ensure that water or any other liquids do not spill or drip on the Base. NEVER poke with anything into the Base. If necessary use a small brush to clean the top of the Base. If water enters the Base, have the unit checked by an authorized service center. (See warranty)

NOTE: Do not use abrasives.

A short supply cord is provided to reduce the hazards of becoming entangled in or tripping over a long cord. Extension cords may be used if care is exercised in their use. If an extension cord is used, the marked electrical rating of the detachable power-supply cord or extension cord should be at least as great as the electrical rating of the appliance. If the appliance is of the grounded type, the extension cord should be of a grounded 3-wire cord. The extension cord should be arranged so that it will not drape over the counter top or table top, where it can be pulled on by children or tripped over.

LIMITED WARRANTY

Toastess International warrants that this appliance shall be free from defects in material and workmanship for a period of one year from the date of purchase. During this 'in-warranty' period, defective products will be repaired or replaced at the discretion of the retailer and/or Toastess International. This warranty covers normal domestic usage and does not cover damage which occurs in shipment or failure which results from alteration, accident, misuse, abuse, glass breakage, neglect, commercial use or improper maintenance.

A defective product should be returned to the original place of purchase within the retailer's stipulated return/exchange period*. If you are unable to have a defective product replaced under warranty by the retailer, please check our website at "www.toastess.com" for the service centre nearest you or you may contact us for assistance by mail, e-mail, fax or telephone as listed below.

To ensure prompt 'in-warranty' service, securely package and return the product to us prepaid. Be sure to include the original proof of purchase and a description of the defect along with your address and zip/postal code.

For repairs not covered by the warranty, please contact us for assistance.

TOASTESS®

TOASTESS INTERNATIONAL

Customer Service Department
81A Brunswick
Dollard-des-Ormeaux
Québec, Canada H9B 2J5
E-mail: info@toastess.com
Fax: 514-685-8300
Tel: 514-685-2820

* Return/exchange policies at each retailer vary and may differ from the Toastess International 1 year limited warranty period.

Free Manuals Download Website

<http://myh66.com>

<http://usermanuals.us>

<http://www.somanuals.com>

<http://www.4manuals.cc>

<http://www.manual-lib.com>

<http://www.404manual.com>

<http://www.luxmanual.com>

<http://aubethermostatmanual.com>

Golf course search by state

<http://golfingnear.com>

Email search by domain

<http://emailbydomain.com>

Auto manuals search

<http://auto.somanuals.com>

TV manuals search

<http://tv.somanuals.com>