

# delfino

## PROGRAMMABLE COFFEE MAKER



**Instruction Booklet**  
**Model: DLFC-381**

# IMPORTANT SAFEGUARDS

When using electrical appliances, basic safety precautions should always be followed including the following:

1. Read all instructions.
2. **DO NOT** touch hot surfaces. Use handles or knobs.
3. To protect against electrical hazards, do not immerse cord, plugs, or the appliance in water or other liquid.
4. Close supervision is necessary when any appliance is used by or near children.
5. Unplug from outlet when not in use and before cleaning. Allow to cool before putting on or taking off parts, and before cleaning the appliance.
6. **DO NOT** operate any appliance with a damaged cord or plug or after the appliance malfunctions, or has been damaged in any manner. Return appliance to Toastess for examination, repair or adjustment. See "Warranty" section.
7. The use of accessories or attachments not recommended by Toastess may result in fire, electric shock or injury.
8. **DO NOT** use outdoors.
9. **DO NOT** let cord hang over edge of table or counter, or touch hot surfaces.
10. **DO NOT** place on or near a hot gas or electric burner, or in a heated oven.
11. **DO NOT** use appliance for other than intended use.
12. **DO NOT** leave unit unattended while in use.
13. Extreme caution must be used when moving an appliance containing hot liquids.
14. The carafe is designed for use with this appliance. It must never be used on a range top.
15. **DO NOT** place the carafe on a wet or cold surface or in a microwave oven.
16. **DO NOT** use the carafe if it is cracked or has a loose or weakened handle.
17. **DO NOT** clean the carafe with cleansers, steel wool pads or other abrasive material.
18. The appliance is equipped with a removable water tank. During operation, never remove the water tank.
19. Never leave the empty carafe on the 'Keep Warm Plate' as the carafe is likely to crack.
20. Any maintenance other than cleaning should be performed by an authorized service facility.

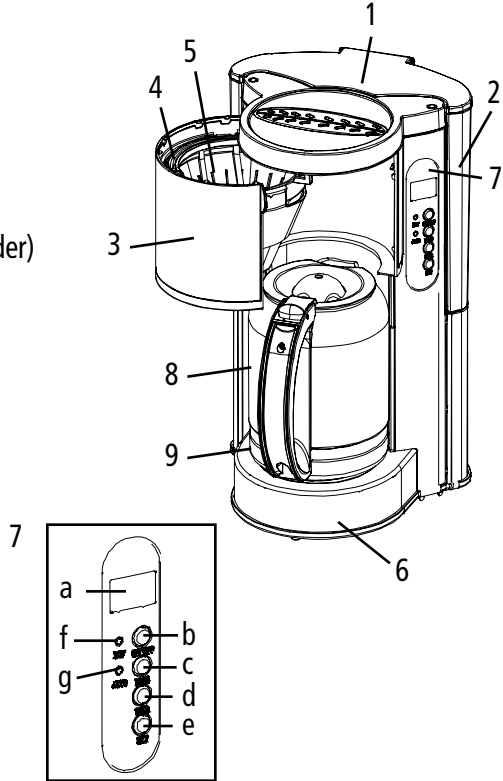
**SAVE THESE INSTRUCTIONS**  
HOUSEHOLD USE ONLY

## POLARIZED PLUG

This appliance has a polarized plug (one blade is wider than the other). To reduce the risk of electric shock, this plug will fit in a polarized outlet only one way. If the plug does not fit fully in the outlet, reverse the plug. If it still does not fit, contact a qualified electrician. Do not modify the plug in any way.

## DESCRIPTION OF PARTS

1. Water Tank Lid
2. Removable Water Tank
3. Filter Basket Holder
4. Filter Basket (inside of Holder)
5. Permanent Filter
6. Main Housing
7. Control Panel
  - a) Digital Display
  - b) ON/OFF Button
  - c) Program Button
  - d) Hour Button
  - e) Minute button
  - f) On Indicator Light
  - g) Auto Indicator Light
8. Carafe
9. Warming Plate



## BEFORE FIRST USE

Wash the Carafe, Lid, Filter Basket and Permanent Filter in warm soapy water. Rinse thoroughly and dry. Wipe the Main Housing with a soft damp cloth. **DO NOT** immerse Main Housing in water or any other liquid.

Prior to brewing coffee for the first time run the machine with water only. Follow the directions in the HOW TO USE section omitting the coffee and Permanent Coffee Filter.

## HOW TO USE

1. Fill the Water Tank with fresh cold water for the desired number of cups. Fill the Water Tank by either removing the Water Tank and filling under the tap or filling the Carafe and pouring water into the Water Tank. **NOTE: DO NOT** fill above the MAX line or less than the MIN line indicated on the Water Tank.
2. Swing the Filter Basket Holder outward to the left. Fill the Permanent Coffee Filter with the desired amount of ground coffee. **NOTE:** Use coffee ground specifically for automatic drip coffee makers. Usually one Coffee Measuring Scoop or a level tablespoon of ground coffee is used for each cup of coffee. Adjust the amount to your personal taste.
3. Close the Filter Basket Holder and snap into place. **NOTE:** If the door does not close completely, check to see that the Filter Basket and Permanent Coffee Filter are properly seated in the Filter Basket Holder then snap the door into place.
4. Place the Carafe with Lid on the Keep Warm Plate.
5. Plug into a 120 Volt AC outlet and the Digital Display will show '12:00'.
6. If you want to brew coffee immediately, press the ON/OFF Button and the On Indicator Light will illuminate and the brew cycle will start. (To use Timed Brewing follow the directions in the section "Delayed Brew Cycle") **NOTE:** The brew cycle can be interrupted by pressing the ON/OFF Button at any time. If you press the ON/OFF button again the brew cycle will continue.
7. In a few minutes the coffee will be brewed and the Coffee Maker will automatically switch over to 'Keep Warm' mode for the next two hours. The 'Keep Warm Cycle' will shut off automatically and the 'On' Indicator Light will go out at the end of the 2 hours. If you wish to turn off the Coffee Maker before 2 hours has elapsed, press the ON/OFF Button once.

## Delayed Brew Cycle

1. Fill the Water Tank with fresh cold water for the desired number of cups. Fill the Water Tank by either removing the Water Tank and filling under the tap or filling the Carafe and pouring water into the Water Tank. **NOTE: DO NOT** fill above the MAX line or less than the MIN line indicated on the Water Tank.
2. Swing the Filter Basket Holder outward to the left. Fill the Permanent Coffee Filter with the desired amount of ground coffee. **NOTE:** Use coffee ground specifically for automatic drip coffee makers. Usually

- one Coffee Measuring Scoop or a level tablespoon of ground coffee is used for each cup of coffee. Adjust the amount to your personal taste.
3. Close the Filter Basket Holder and snap into place. **NOTE:** If the door does not close completely, check to see that the Filter Basket and Permanent Coffee Filter are properly seated in the Filter Basket Holder then snap the door into place.
  4. Place the Carafe with Lid on the Keep Warm Plate.
  5. Plug into a 120 Volt AC outlet
  6. Set the current time on the clock by pressing the PROG Button once. Press the Hour Button to set the hour then press the MIN Button to set the minutes.
  7. Press the PROG Button once again to set the time for the Delayed Brew Cycle. Press the Hour Button to set the hour and then press the MIN Button to set the minutes.
  8. Press the ON/OFF Button twice and the green AUTO light will illuminate. After about 10 seconds the Digital Display will switch back to the current time. To see the Delayed Brew start time press the PROG Button once.
  9. Once the clock reaches the preset time to start the Brew Cycle, the green AUTO Indicator Light will go out and the red ON Indicator Light will illuminate and the brew cycle will start.
  10. After the brew cycle is finished, the Coffee Maker will automatically switch over to 'Keep Warm' mode for the next two hours. The 'Keep Warm Cycle' will shut off automatically and the 'On' Indicator Light will go out at the end of the 2 hours. If you wish to turn off the Coffee Maker before 2 hours has elapsed, press the ON/OFF Button once.

## **'PAUSE & SERVE' FEATURE**

The 'Pause & Serve' feature allows you to pour a cup of coffee before the brew cycle has finished. Remove the Carafe slowly to temporarily stop the flow of coffee. Quickly pour a cup of coffee and reposition the Carafe securely on the Keep Warm Plate. **NOTE: DO NOT** remove the Carafe for longer than 30 seconds.

## CARE AND CLEANING

1. Unplug unit and let cool before cleaning.
2. Remove the Permanent Filter and the Filter Basket from the Filter Basket Holder.
3. The Filter Basket, Permanent Filter, Carafe and Water Tank can be washed in warm soapy water.
4. Wipe the Main Housing and Warming Plate with a soft damp cloth.  
**NEVER IMMERSE THE MAIN HOUSING IN WATER OR ANY OTHER LIQUID.**

### Descaling

Over a period of time, minerals and calcium found in water will accumulate in your Coffee Maker and may affect its operation. The appliance should be cleaned approximately every six months, depending on water conditions. Use distilled vinegar in the following manner to remove the mineral deposits.

1. Fill the Water Tank to the MAX level with equal parts of white vinegar and cold water. Close the Lid.
2. Snap the Filter Basket and Filter Basket Holder into position.
3. Place the Carafe with Lid on the Warming Plate.
4. Press the ON/OFF Button once and the Coffee Maker will start.
5. Let the whole quantity of the vinegar/water solution run through the machine, then turn the Coffee Maker off by pressing the ON/OFF Button. (The red On Indicator Light will turn off.)
6. Repeat the above steps using cold water to rinse away any residual vinegar. Repeat twice.

A short supply cord is provided to reduce the hazards of becoming entangled in or tripping over a long cord. Extension cords may be used if care is exercised in their use. If an extension cord is used, the marked electrical rating of the detachable power-supply cord or extension cord should be at least as great as the electrical rating of the appliance. If the appliance is of the grounded type, the extension cord should be of a grounded 3-wire cord. The extension cord should be arranged so that it will not drape over the counter top or table top, where it can be pulled on by children or tripped over.

## **LIMITED WARRANTY**

Toastess International warrants that this appliance shall be free from defects in material and workmanship for a period of one year from the date of purchase. During this 'in-warranty' period, defective products will be repaired or replaced at the discretion of the retailer and/or Toastess International. This warranty covers normal domestic usage and does not cover damage which occurs in shipment or failure which results from alteration, accident, misuse, abuse, glass breakage, neglect, commercial use or improper maintenance.

A defective product should be returned to the original place of purchase within the retailer's stipulated return/exchange period\*. If you are unable to have a defective product replaced under warranty by the retailer, please check our website at "[www.toastess.com](http://www.toastess.com)" for the service centre nearest you or you may contact us for assistance by mail, e-mail, fax or telephone as listed below.

To ensure prompt 'in-warranty' service, securely package and return the product to us prepaid. Be sure to include the original proof of purchase and a description of the defect along with your address and zip/postal code.

For repairs not covered by the warranty, please contact us for assistance.

# **TOASTESS®**

## **TOASTESS INTERNATIONAL**

Customer Service Department

81A Brunswick

Dollard-des-Ormeaux

Quebec, Canada H9B 2J5

E-mail: [info@toastess.com](mailto:info@toastess.com)

Fax: 514-685-8300

Tel: 514-685-2820

\* Return/exchange policies at each retailer vary and may differ from the Toastess International 1 year limited warranty period.

## Free Manuals Download Website

<http://myh66.com>

<http://usermanuals.us>

<http://www.somanuals.com>

<http://www.4manuals.cc>

<http://www.manual-lib.com>

<http://www.404manual.com>

<http://www.luxmanual.com>

<http://aubethermostatmanual.com>

Golf course search by state

<http://golfingnear.com>

Email search by domain

<http://emailbydomain.com>

Auto manuals search

<http://auto.somanuals.com>

TV manuals search

<http://tv.somanuals.com>