



Russell Hobbs®

Smart in the kitchen...



3 Speed Blender

Model RHBLRET

Instructions and Warranty

IMPORTANT SAFEGUARDS

When using electrical appliances, basic safety precautions should always be followed including the following:

1. Read all instructions.
2. To protect against risk of electrical shock do not put cord, plugs, or appliance in water or other liquid.
3. Close supervision is necessary when any appliance is used by or near children.
4. Unplug from outlet when not in use, before putting on or taking off parts, and before cleaning.
5. Avoid contacting moving parts.
6. Do not operate any appliance with a damaged cord or plug or after the appliance malfunctions, or is dropped or damaged in any manner. Contact Consumer Service for examination, repair or electrical or mechanical adjustment.
7. The use of attachments, including canning jars, not recommended by the manufacturer may cause a risk of injury to persons.
8. Do not use outdoors.
9. Do not let cord hang over edge of table or counter.
10. Do not let cord contact hot surface, including the stove.
11. Keep hands and utensils out of the Blending Jar while blending to reduce the risk of severe injury to persons or damage to the Blender. A scraper may be used but must be used only when the Blender is not running.
12. Blades are sharp. Handle carefully.
13. To reduce the risk of injury, never place Blade Assembly on Motor Housing without Blending Jar properly attached.
14. Always operate Blender with Blending Jar Lid in place.
15. When blending hot liquids, remove center piece of two-piece Lid.

SAVE THESE INSTRUCTIONS

For household use only

Additional Important Safeguards

1. All users of this appliance must read and understand this Instruction Guide before operating or cleaning this appliance.
2. The cord to this appliance should be plugged into a 120V AC electrical outlet only.
3. Do not leave this appliance unattended during use.
4. If this appliance begins to malfunction during use, immediately turn the Speed Control Dial to "0," the OFF position and unplug the cord. Do not use or attempt to repair the malfunctioning appliance.
5. If this appliance falls or accidentally becomes immersed in water, unplug it immediately. Do not reach into the water! Do not use this appliance after it has fallen into or becomes immersed in water.
6. To reduce the risk of injury to persons or property, never use this appliance in an unstable position.
7. Do not use this appliance for other than its intended use.
8. Do not use if the Blending Jar is cracked or chipped.

Polarized Plug

This appliance has a polarized plug (one blade is wider than the other). To reduce the risk of electric shock, this plug is intended to fit into a polarized outlet only one way. If the plug does not fit fully in the outlet, reverse the plug. If it still does not fit, contact a qualified electrician. Do not attempt to modify the plug in any way.

Plasticizer Warning

CAUTION: To prevent Plasticizers from migrating to the finish of the countertop or tabletop or other furniture, place NON-PLASTIC coasters or place mats between the appliance and the finish of the countertop or tabletop.

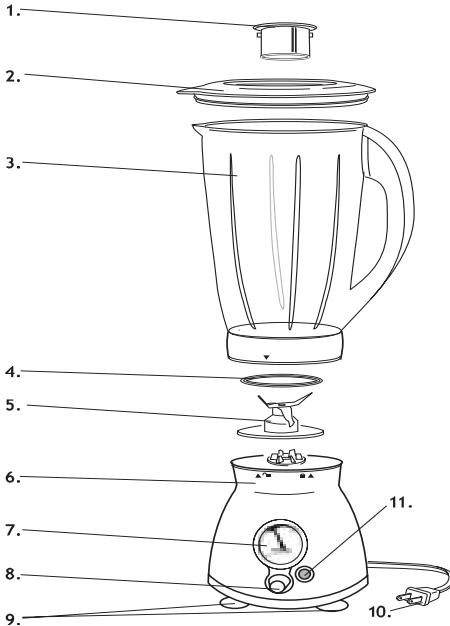
Failure to do so may cause the finish to darken, permanent blemishes may occur or stains can appear.

Electric Power

If the electrical circuit is overloaded with other appliances, your appliance may not operate properly. It should be operated on a separate electrical circuit from other appliances.

Getting to Know Your Russell Hobbs® 3 Speed Blender

Product may vary slightly from illustrations.



1. Measuring Cap
(P/N 71238)
2. Blending Jar Lid
(P/N 71239)
3. Blending Jar
(P/N 71240)
4. Rubber Seal Ring
(P/N 71241)
5. Blade Assembly
(P/N 71242)
6. Motor Housing
7. Speed Display
8. Speed Control Dial
9. Non-Slip Rubber
Feet
10. Power Cord with
Polarized Plug
11. PULSE Button

Figure 1

Before Using for the First Time

CAUTION: Use extreme care when handling the Blade Assembly. Do not touch the Blades with your fingers. The Blades are very sharp and can cause injury if touched.

1. Carefully unpack the Blender, Blending Jar, and all parts.
2. Wash the Measuring Cap, Rubber Seal Ring, Blending Jar, Blending Jar Lid, and Blade Assembly in warm soapy water. Rinse and dry thoroughly.
3. Make sure the cord is unplugged and the Speed Control Dial is turned to "0," the OFF position.

CAUTION: To protect against risk of electrical shock, do not place Motor Housing, plug or cord in water or any other liquid.

4. Wipe the Motor Housing clean with a moistened cloth. Dry thoroughly.

Blender Assembly Instructions

NOTE: Before assembling, make sure the cord is unplugged and the Speed Control Dial is turned to "0," the OFF position.

CAUTION: Use extreme care when handling the Blade Assembly. Do not touch Blades with your fingers. The Blades are very sharp and can cause injury if touched.

1. Carefully place the Rubber Seal Ring over the Blade Assembly.
2. Place the Blade Assembly in the Blending Jar, turning the Blade Assembly clockwise to tighten.

NOTE: The Blade Assembly must be firmly attached to the Blending Jar before putting any foods or liquids into the Blending Jar.

3. Place the Blending Jar with Blade Assembly into the Motor Housing by lining up the arrow on the Blending Jar with the UNLOCK on the Motor Housing. Turn the Blending Jar to the right so that the arrow on the Blending Jar is lined up with the arrow in the LOCK position on the Motor Housing. (See Figure 2.)

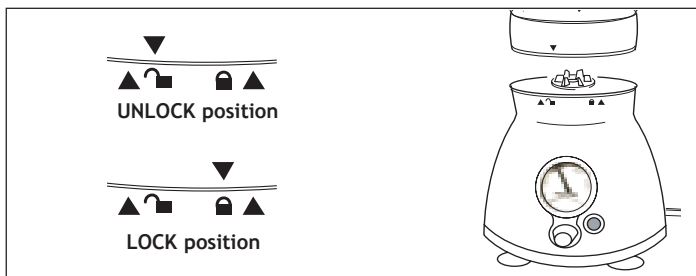


Figure 2

Operating Instructions

CAUTION: Keep hands and utensils out of the Blending Jar while blending to prevent the possibility of severe injury to persons or damage to the unit. A scraper may be used but must only be used when the unit is not running.

CAUTION: Use extreme care when handling the Blade Assembly. Do not touch Blades with your fingers. The Blades are very sharp and can cause injury if touched.

1. Before starting, make sure power cord is unplugged and the Speed Control Dial is turned to "0," the OFF position.
2. Make sure that the Blade Assembly and Rubber Seal Ring are properly assembled and securely fastened to the Blending Jar. See Blender Assembly Instructions for details.
3. Lock the Blending Jar on top of the Motor Housing making sure it is firmly seated and not tilting to one side. See Blender Assembly Instructions for details.

CAUTION: Never place the Blade Assembly on the Motor Housing without the Blending Jar being completely assembled and securely tightened.

4. Add ingredients to the Blending Jar.
5. Place Blending Jar Lid with Measuring Cap on Blending Jar. Turn the Blending Jar Lid so that the Locking Tab of the Lid fits securely into the notch in the top of the Handle. (See Figure 3.)

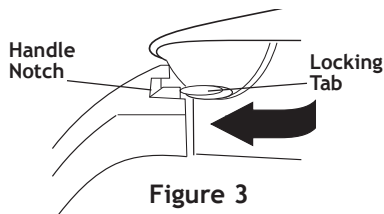


Figure 3

WARNING: When using the Blender, make sure the Lid is locked into position. The Blender will not operate unless the Lid is properly secured.

NOTE: Do not fill the Blending Jar more than 3/4 full, 6.5 cups (50-oz.). Never operate when the Blending Jar is empty.

6. Plug the power cord into a 120V AC electrical outlet. Turn the Speed Control Dial to the desired speed setting: 1 is the lowest speed; 3 is the highest. Blend until ingredients have reached desired consistency.

REMEMBER: Always hold Lid in place during processing.

CAUTION: If Blending Jar rotates during blending, immediately turn Speed Control Dial to "0," the OFF position; then secure by tightening the Blade Assembly on Blending Jar.

- Do not touch Blades
 - Do not interfere with the Blade movement
 - Do not remove Blending Jar Lid
7. When blending is completed, turn the Speed Control Dial to "0," the OFF position to stop the Blender. Unplug the unit.
 8. Use the Handle to lift the Blending Jar off the Base. Turn the Blending Jar Lid to either the strainer or the pour position to serve from the Jar. (See Figure 4.)

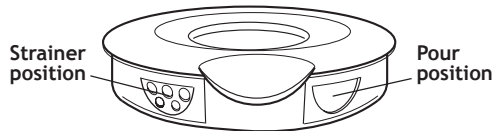


Figure 4

Pulse Button

1. Press the PULSE Button in short bursts until the food is processed to your desired consistency.
2. When pulsing is completed, make sure the Speed Control Dial is at "0," the OFF position, and unplug the unit.

Crushing Ice

Add 1 cup of ice cubes, about 9, to the Blending Jar. Place the Lid on Blending Jar then repeatedly press the PULSE Button until the cubes are reduced.

Hot Ingredients

CAUTION: Use extreme caution when blending hot liquids to avoid accidental scalding or burns. Do not use your hand to cover opening!

NOTE: When processing hot foods, always remove the Measuring Cap from the Lid before beginning.

- DO NOT put more than 1 cup of hot ingredients into the Blending Jar before beginning to blend.
- After the blending process has begun, you may slowly add up to an additional 1 cup of hot ingredients through the center hole in the Lid.
- Always use a vessel with a pouring spout when adding hot ingredients.

User Maintenance Instructions

This appliance requires little maintenance and contains no user serviceable parts. Do not try to repair it yourself. Any servicing requiring disassembly must be performed by a qualified appliance repair technician.

Care and Cleaning

CAUTION: Never immerse the Motor Housing, plug or cord in water or any other liquid.

1. Always unplug the unit before cleaning.
2. Whenever possible, rinse parts immediately after processing to make cleanup easier.

CAUTION: Use extreme care when handling the Blade Assembly. Do not touch the Blades with your fingers. The Blades are very sharp and can cause injury if touched.

3. Wash the Blending Jar, Lid, Measuring Cap and Blade Assembly in warm soapy water. Rinse and dry thoroughly. Never use rough scouring pads or abrasive cleansers on any plastic or metal parts as the surface may be damaged. Do not wash the Lid, Measuring Cap and Blade Assembly in the dishwasher.
4. If necessary, wipe exterior surface with a moist cloth or sponge and dry thoroughly.
5. Do not fill the Blending Jar with boiling water or place any of the parts in boiling water.
6. Do not allow the Blade Assembly to soak in water for long periods of time.
7. For quick clean-ups, the interior of the Blending Jar can be cleaned by using the PULSE setting. Plug the Blender into an electrical outlet and simply pour some warm water and a small amount of detergent into the Blending Jar. Press the PULSE Button. Repeat for several short bursts. The unit will clean itself, without you having to handle the sharp Blades. Unplug the Blender, rinse and dry thoroughly, being careful as the Blades are sharp.
8. Properly reassemble all parts before storing.

Storage Instructions

CAUTION: Always assemble clean and dry Blender parts correctly before storing on the Motor Housing. Severe injury can result if Blender is accidentally turned ON when not properly assembled.

Unplug and clean unit. Store in original box or in a clean, dry place. Never store Blender while it is hot or plugged in. Never wrap cord tightly around the appliance. Never place any stress on cord, especially where the cord enters the unit, as this could cause the cord to fray and break.

LIMITED ONE-YEAR WARRANTY

Warranty Coverage: This product is warranted to be free from defects in materials or workmanship for a period of one (1) year from the original purchase date. This product warranty is extended only to the original consumer purchaser of the product and is not transferable. For a period of one (1) year from the date of original purchase of the product, our Repair Center will, at its option, either (1) repair the product or (2) replace the product with a reconditioned comparable model. These remedies are the purchaser's exclusive remedies under this warranty.

Warranty Service: To obtain warranty service, you must call our warranty service number at 1-800-233-9054 for return instructions on how to deliver the product, in either the original packaging or packaging affording an equal degree of protection to the Repair Center specified below. You must enclose a copy of your sales receipt or other proof of purchase to demonstrate eligibility for warranty coverage.

To return the appliance, ship to: **To contact us**, please write to, call, or email:

ATTN: Repair Center
708 South Missouri Street
Macon, MO 63552 USA

Consumer Relations Department
PO Box 7366
Columbia MO 65205-7366 USA
1-800-233-9054
E-mail: consumer_relations@toastmaster.com

What Is Not Covered: This warranty does not cover damage resulting from misuse, accident, commercial use, improper service or any other damage caused by anything other than defects in material or workmanship during ordinary consumer use. This warranty is invalid if the serial number has been altered or removed from the product. This warranty is valid only in the United States and Canada.

LIMITATION ON DAMAGES: THERE SHALL BE NO LIABILITY FOR ANY INCIDENTAL OR CONSEQUENTIAL DAMAGES FOR BREACH OF ANY EXPRESS OR IMPLIED WARRANTY OR CONDITION ON THIS PRODUCT.

DURATION OF IMPLIED WARRANTIES: EXCEPT TO THE EXTENT PROHIBITED BY APPLICABLE LAW, ALL IMPLIED WARRANTIES AND CONDITIONS, INCLUDING, WITHOUT LIMITATION, IMPLIED WARRANTIES AND CONDITIONS OF MERCHANTABILITY AND FITNESS FOR A PARTICULAR PURPOSE OR USE ON THIS PRODUCT ARE LIMITED IN DURATION TO THE DURATION OF THIS WARRANTY.

Some jurisdictions do not allow the exclusion or limitation of incidental or consequential damages, or allow limitations on how long an implied warranty lasts, so the above limitations or exclusions may not apply to you. This warranty gives you specific legal rights and you may have other rights under the laws of your jurisdiction.

For more information on our products, visit our website:
www.maxim-toastmaster.com.

©2006 All rights reserved.
Made in China

6/06

Free Manuals Download Website

<http://myh66.com>

<http://usermanuals.us>

<http://www.somanuals.com>

<http://www.4manuals.cc>

<http://www.manual-lib.com>

<http://www.404manual.com>

<http://www.luxmanual.com>

<http://aubethermostatmanual.com>

Golf course search by state

<http://golfingnear.com>

Email search by domain

<http://emailbydomain.com>

Auto manuals search

<http://auto.somanuals.com>

TV manuals search

<http://tv.somanuals.com>