

# Tall Can Opener

USE AND CARE GUIDE

MODELS 2249/2249IB/2249MEX



# READ AND SAVE THESE INSTRUCTIONS

**WARNING:** A risk of fire and electrical shock exists in all electrical appliances and may cause personal injury or death. Please follow all safety instructions.

## IMPORTANT SAFEGUARDS

When using electrical appliances, basic safety precautions should always be followed to reduce the risk of fire, electrical shock and injury to persons, including the following:

- ◆ Read all instructions before using appliance.
- ◆ To protect against risk of electrical shock, do not immerse cord, plug, or appliance in water or other liquid.
- ◆ Close supervision is necessary when any appliance is used near children.
- ◆ This appliance is not for use by children.
- ◆ Unplug from outlet when not in use, before putting on or taking off parts, and before cleaning.
- ◆ Avoid contacting moving parts.
- ◆ Do not operate any appliance with a damaged cord or plug or after the appliance malfunctions, or is dropped or damaged in any manner. Contact Consumer Service for return authorization, for examination, repair or electrical or mechanical adjustment.
- ◆ The use of attachments not recommended or sold by the manufacturer may cause fire, electric shock or injury.
- ◆ Do not use outdoors or while standing in a damp area.
- ◆ Do not let cord hang over edge of table or counter, or touch hot surfaces, including the stove.
- ◆ Do not open pressurized (aerosol-type) cans.
- ◆ Do not open cans of flammable liquids, such as lighter fluids.
- ◆ Use appliance only as indicated in these instructions.

## SAVE THESE INSTRUCTIONS



toastmaster®

1.

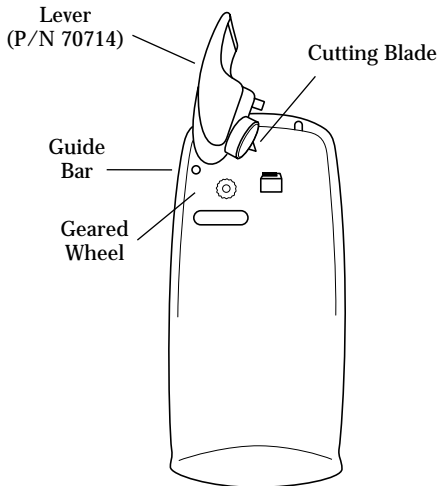
**CAUTION:** A short power supply cord is provided to reduce the risk of personal injury resulting from becoming entangled in or tripping over a longer cord. Extension cords are available from local hardware stores and may be used if care is exercised in their use. If an extension cord is required, special care and caution is necessary. Also the cord must be: (1) marked with an electrical rating of 125 V and at least 10A., 1250 W., and (2) the cord must be arranged so that it will not drape over the countertop or tabletop where it can be pulled on by children or tripped over accidentally.

**POLARIZED PLUG:** This appliance has a polarized plug, (one blade is wider than the other). As a safety feature to reduce the risk of electrical shock, this plug is intended to fit in a polarized outlet only one way. If the plug does not fit fully in the outlet, reverse the plug. If it still does not fit, contact a qualified electrician. Do not attempt to defeat this safety feature.

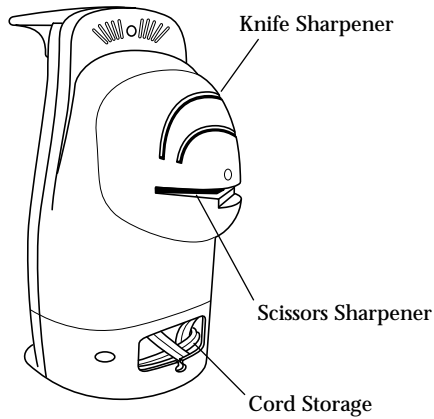
This product is for household use only.

# Operating Instructions

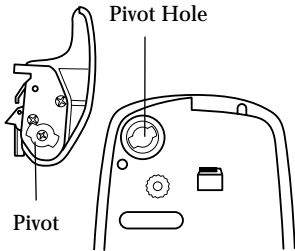
Product may vary slightly from illustrations.



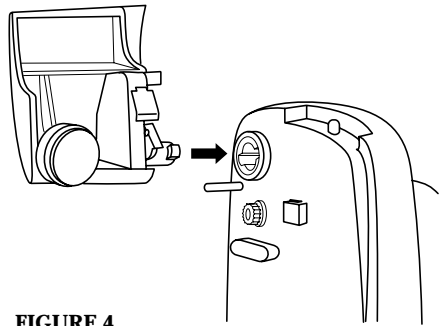
**FIGURE 1**



**FIGURE 2**



**FIGURE 3**



**FIGURE 4**

## Using The Can Opener

See CARE AND CLEANING for assembly instructions.

1. Remove all packaging materials before using.
2. Place the can opener on a level surface and plug into 120V~60 Hz electrical outlet.
3. Hold can approximately level.



4. Raising lever, place can under guide bar and against geared wheel, see Figure 1.
5. Press down on lever to pierce lid of can. This also starts the cutting action. Let go of lever and can will stop automatically when opened.
6. Grasp the can, then raise the lever up from the can.
7. Slide the lid away from the magnet. Use caution to avoid injury from sharp edge of lid.

## Hint For Using The Can Opener

- ◆ To open extra tall cans, place can opener at edge of counter before wedging can in position for opening.

## Using The Knife And Scissor Sharpener

Turn the unit sideways so that the knife and scissors sharpener is to your right (see Figure 2).

1. Press down and hold lever.
2. Place blade lightly in either the left or right groove of the knife sharpener. Draw knife slowly toward you with a slow, even motion.
3. Place blade in other knife sharpener groove and repeat 4 or 5 times, alternating from one groove to the other until desired sharpness is achieved. Release lever.
4. The larger groove at the bottom is designed especially for scissors. Press down and hold lever. Place one blade of the scissors in the groove, and then draw it toward you slowly and evenly. Repeat with the other blade.
5. Wash and dry blades after sharpening.

# Hints for Using The Knife And Scissor Sharpener

- ◆ Be sure that blades are clean and free of grease. Greasy or wet blades may coat the grinding wheel and the blade will not sharpen satisfactorily.
- ◆ Do not attempt to sharpen hollow ground or serrated blades.
- ◆ If the knife has a curved tip, raise the knife handle slightly at the end of each sharpening.
- ◆ Uneven sharpening may occur if you force the knife blade against the Grinding Wheel.  
Do not use the can opener, knife or scissors sharpener for more than 5 minutes at a time. Allow to cool for at least 15 minutes after sharpening blades before using. This will prevent motor burnout due to overheating.

## User Maintenance Instructions

This appliance requires little maintenance. It contains no user serviceable parts. Do not try to repair it yourself. Refer it to a qualified appliance repair technician if servicing is needed.

## Care And Cleaning

Unplug the unit from electrical outlet.

1. To remove lever, hold the can opener facing you. Lift the lever upward to the highest position (as shown in Figure 1) and push the lever to the left.
2. Wash lever in warm, soapy water and wipe the outside surfaces of the unit with a damp cloth.



3. To replace the lever, hold the can opener facing you with the lever in the lifted position and slide the pivot into the pivot hole. Push the lever to the left until it snaps into place (see Figures 3 and 4). Lower the lever back onto the top of the can opener.
4. Store cord in cord storage (see Figure 2). **Note:** *Cutting blade is sharp, use caution.*

Any servicing requiring disassembly other than the above cleaning must be performed by a qualified appliance repair technician.

## LIMITED ONE YEAR WARRANTY

**Warranty:** This Toastmaster® product is warranted to be free from defects in materials or workmanship for a period of (1) year from the original purchase date. This product warranty covers only the original consumer purchaser of the product.

**Warranty Coverage:** This warranty is void if the product has been damaged by accident in shipment, unreasonable use, misuse, neglect, improper service, commercial use, repairs by unauthorized personnel, normal wear and tear, improper assembly, installation or maintenance abuse or other causes not arising out of defects in materials or workmanship. This warranty is effective only if the product is purchased and operated in the USA, and does not extend to any units which have been used in violation of written instructions furnished with the product or to units which have been altered or modified or to damage to products or parts thereof which have had the serial number removed, altered, defaced or rendered illegible.

**Implied Warranties:** ANY IMPLIED WARRANTIES WHICH THE PURCHASER MAY HAVE ARE LIMITED IN DURATION TO ONE (1) YEAR FROM THE DATE OF PURCHASE. Some states do not allow limitations on how long an implied warranty lasts, so the above limitation may not apply to you.

**Warranty Performance:** During the above one-year warranty period, a product with a defect will be either repaired or replaced with a reconditioned comparable model (at our option) when the product is returned to the Repair Center, or the purchase price refunded. The repaired or replacement product will be in warranty for the balance of the one-year warranty period and an additional one-month period. No charge will be made for such repair or replacement.

**Service and Repair:** Should the appliance malfunction, you should first call toll-free 1 (800) 947-3744 between the hours of 9:00 am and 5:00 pm Central Standard Time and ask for CONSUMER SERVICE stating that you are a consumer with a problem. Please refer to model number 2249 when you call.

**In-Warranty Service (USA):** For an appliance covered under the warranty period, no charge is made for service or postage. Call for return authorization (1 800 947-3744).

**Out-of Warranty Service:** A flat rate charge by model is made for out-of-warranty service. Include \$ 5.00 (U.S.) for return shipping and handling. We will notify you by mail of the amount of the charge for service and require you to pay in advance for the repair or replacement.

**For Products Purchased in the USA, but Used in Canada:** You may return the product insured, packaged with sufficient protection, and postage and insurance prepaid to the USA address listed below. Please note that all customs duty / brokerage fees, if any, must be paid by you and we will require you to pay the cost of customs duty / brokerage fees to us in advance of our performing any service.

**Risk During Shipment:** We cannot assume responsibility for loss or damage during incoming shipment. For your protection, carefully package the product for shipment and insure it with the carrier. Be sure to enclose the following items with your appliance: any accessories related to your problem, your full return address and daytime phone number, a note describing the problem you experienced, a copy of your sales receipt or other proof of purchase to determine warranty status. C.O.D. shipments cannot be accepted.

**To return the appliance, ship to:**

Attn: Repair Center  
Toastmaster Inc.  
708 South Missouri Street  
Macon, MO 63552  
Email: [consumer\\_relations@toastmaster.com](mailto:consumer_relations@toastmaster.com)  
[www.toastmaster.com](http://www.toastmaster.com)

**To contact us, please write to or call:**

Toastmaster Inc.  
P.O. Box 6916  
Columbia, MO 65205-6916  
1 (800) 947-3744

**Limitation of Remedies:** No representative or person is authorized to assume for us any other liability in connection with the sale of our products. There shall be no claims for defects or failure of performance or product failure under any theory of tort, contract or commercial law including, but not limited to negligence, gross negligence, strict liability, breach of warranty and breach of contract. Repair, replacement or refund shall be the sole remedy of the purchaser under this warranty, and in no event shall we be liable for any incidental or consequential damages, losses or expenses. Some states do not allow the exclusion or limitation of incidental or consequential damages, so the above limitation or exclusion may not apply to you.

**Legal Rights:** This warranty gives you specific legal rights, and you may also have other rights which vary from state to state.





## Keep Dated Sales Receipts for Warranty Service.

Keep this booklet. Record the following for reference:

Date purchased \_\_\_\_\_

Model number \_\_\_\_\_

Date code (stamped on bottom) \_\_\_\_\_

EVERYBODY EATS. It's a fact of life.

But sometimes preparing  
meals can become a chore.

That's why TOASTMASTER has been invited  
into millions of kitchens just like yours  
so we can HELP YOU MASTER your  
mixing, baking, grilling, toasting,  
brewing, heating and serving  
tasks WITH EASE AND STYLE.

The TOASTMASTER name stands for a  
CELEBRATION of INNOVATION designed  
to serve your life and keep you  
COOKIN' IN STYLE.



**toastmaster®**

- *Handles large cans with ease*
- *Hands free operation*
- *Removable cutting assembly*
- *Built-in knife sharpener*
- *Magnetic lid holder*



## **Questions**

Call toll free 1-800-947-3744

Monday – Friday, 8:00 a.m. - 5:30 p.m. CST

[www.toastmaster.com](http://www.toastmaster.com)

**2249/2249IB/2249MEX**

## Free Manuals Download Website

<http://myh66.com>

<http://usermanuals.us>

<http://www.somanuals.com>

<http://www.4manuals.cc>

<http://www.manual-lib.com>

<http://www.404manual.com>

<http://www.luxmanual.com>

<http://aubethermostatmanual.com>

Golf course search by state

<http://golfingnear.com>

Email search by domain

<http://emailbydomain.com>

Auto manuals search

<http://auto.somanuals.com>

TV manuals search

<http://tv.somanuals.com>