

## READ AND SAVE THESE INSTRUCTIONS

**WARNING:** A risk of fire and electrical shock exists in all electrical appliances and may cause personal injury or death. Please follow all safety instructions.



**toastmaster®**  
cookin' in style



## Coffee Grinder

Use and Care Guide

Models 1119, 1119B and 1119CAN

- STAINLESS STEEL BLADES
- EASY ACCESS CORD STORAGE
- GREAT FOR MAKING FLAVORED COFFEES
- 2-OUNCE CAPACITY FOR 12 CUPS OF COFFEE

# IMPORTANT SAFEGUARDS

When using electrical appliances, basic safety precautions should always be followed to reduce the risk of fire, electric shock and injury to persons, including the following:

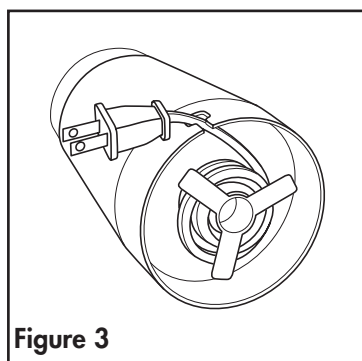
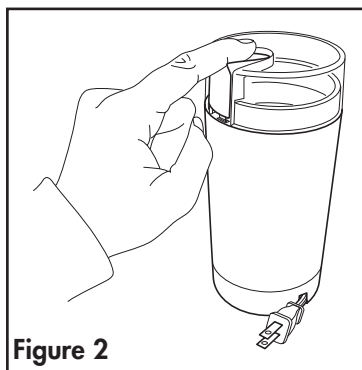
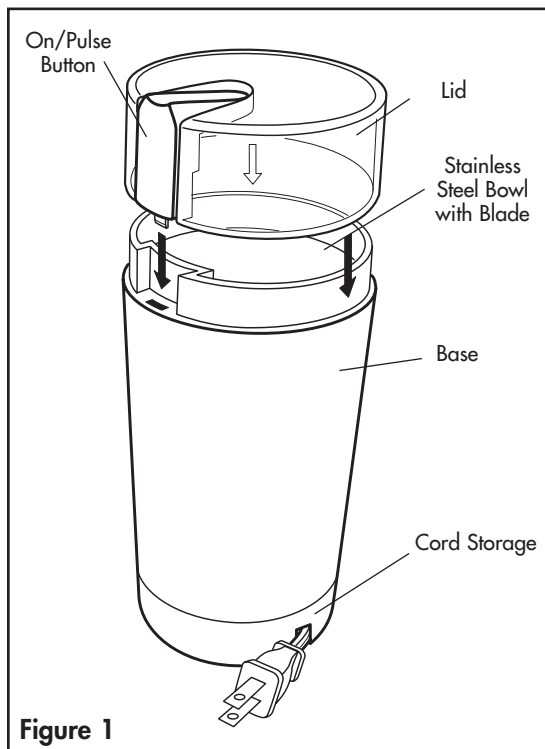
- Read all instructions before using appliance.
- Do not immerse motor base, cord or plug in water or other liquid. See instructions for cleaning.
- This appliance is not for use by children.
- Close supervision is necessary when any appliance is used near children.
- Unplug from outlet when not in use, before putting on or taking off parts, and before cleaning.
- Do not contact moving parts.
- Do not operate any damaged appliance. Do not operate with a damaged cord or plug, or after the appliance malfunctions or has been dropped or damaged in any manner. Return appliance to the nearest authorized service center for examination, repair, electrical or mechanical adjustment.
- Use attachments only if recommended by Toastmaster Inc.
- Do not use outdoors or while standing in a damp area.
- Do not let cord hang over edge of table or counter, or touch hot surfaces.
- Do not place on or near a hot gas or electric burner or in a heated oven.
- This appliance is intended for processing small quantities of coffee beans only for immediate consumption. This appliance is not intended to prepare large quantities of ground coffee at one time.
- Check bowl for presence of foreign objects before using.
- Blades are sharp. Handle carefully.
- Be certain lid is securely locked in place before operating appliance.
- Do not attempt to defeat the lid interlock mechanism.
- Use appliance only as indicated in these instructions.

## SAVE THESE INSTRUCTIONS

**CAUTION:** A short power supply cord is provided to reduce the risk of personal injury resulting from becoming entangled in or tripping over a longer cord. Extension cords are available from local hardware stores and may be used if care is exercised in their use. If an extension cord is required, special care and caution is necessary. Also the cord must be: (1) marked with an electrical rating of 125 V. and at least 10 A., 1250 W., and (2) the cord must be arranged so that it will not drape over the countertop or tabletop where it can be pulled on by children or tripped over accidentally.

**POLARIZED PLUG:** This appliance has a polarized plug, (one blade is wider than the other). As a safety feature to reduce the risk of electrical shock, this plug is intended to fit in a polarized outlet only one way. If the plug does not fit fully in the outlet, reverse the plug. If it still does not fit, contact a qualified electrician. Do not attempt to defeat this safety feature.

### THIS PRODUCT FOR HOUSEHOLD USE ONLY



### USING YOUR COFFEE GRINDER

1. Remove all packaging materials before using.
2. Before using, wipe blades and stainless steel bowl with a damp lint-free cloth, wash and dry lid (see CARE AND CLEANING).

**CAUTION: BLADES ARE SHARP. HANDLE CAREFULLY.**

**CAUTION: NEVER PLACE BASE OF APPLIANCE IN WATER OR OTHER LIQUIDS.**

3. Place up to  $\frac{3}{4}$  cup of coffee beans at a time into the stainless steel bowl. If a larger quantity is needed, grind in several small batches.
4. Place the lid on top of the base (see Figure 1).

NOTE: The appliance will not operate unless the Lid is correctly placed on the base.

**CAUTION: DO NOT ATTEMPT TO OPERATE WITHOUT THE LID PROPERLY IN PLACE.**

5. Plug into 120 V ~ 60 Hz outlet.

6. To start grinder, depress the on/pulse button for 10-30 seconds until the beans are finely ground (See Figure 2). Grinding time will vary with capacity and personal preference. Do not operate for more than 60 seconds at a time.
7. When finished grinding, unplug the base.
8. Wait until the blades stop rotating, then remove lid.
9. Remove ground coffee from stainless steel bowl.

### **HINTS FOR GRINDING COFFEE BEANS**

- Most beans require only 10-30 seconds to grind.
- The maximum capacity of approximately  $\frac{3}{4}$  cup of coffee beans will yield ground coffee for 10-12 cups of brewed coffee.
- Store coffee beans in an airtight container inside the freezer for up to two months—coffee beans can be ground while frozen.

### **GRINDING HERBS, SPICES, AND NUTS**

Use your grinder for grinding most herbs, spices, and nuts. They will have more flavor when freshly ground. Follow directions for grinding coffee beans and grind for 5-10 seconds. For large pieces, pulse the grinder. You may want to consider purchasing a separate grinder for herbs, spices and nuts since the flavor of the coffee may be affected.

### **HINTS FOR GRINDING HERBS, SPICES AND NUTS**

- Do not attempt to grind anything oily or extremely hard such as chocolate, cinnamon, whole cloves or nutmeg.
- Do not use to puree soft foods or attempt to make pastes from seeds, such as sesame or sunflower.
- Do not attempt to grind grains such as corn, wheat, rice, rye, or barley.
- Rinse and pat dry herbs before grinding.

### **CARE AND CLEANING**

Remove all excess grounds from the stainless steel bowl to prevent stale coffee grounds from affecting the flavor of freshly ground beans.

1. Unplug the grinder.
2. Remove Lid, wash in warm sudsy water, rinse and dry thoroughly.

**CAUTION: BLADES ARE SHARP. HANDLE CAREFULLY.**

**CAUTION: NEVER PLACE BASE OF APPLIANCE IN WATER OR OTHER LIQUIDS.**

3. Use a stiff brush to remove any remaining coffee grinds or other ground food from inside the stainless steel bowl.
4. Clean exterior of base with a soft damp cloth and dry. Place lid on base for storing.
5. Turn upside down and wrap cord around cord storage on inside of base (see Figure 3).

## LIMITED ONE-YEAR WARRANTY

**Warranty Coverage:** This product is warranted to be free from defects in materials or workmanship for a period of one (1) year from the original purchase date. This product warranty is extended only to the original consumer purchaser of the product and is not transferable. For a period of one (1) year from the date of original purchase of the product, our Repair Center will, at its option, either (1) repair the product or (2) replace the product with a reconditioned comparable model. These remedies are the purchaser's exclusive remedies under this warranty.

**Warranty Service:** To obtain warranty service, you must call our warranty service number at 1-800-233-9054 for return instructions on how to deliver the product, in either the original packaging or packaging affording an equal degree of protection to the Repair Center specified below. You must enclose a copy of your sales receipt or other proof of purchase to demonstrate eligibility for warranty coverage.

**To return the appliance, ship to:**

ATTN: Repair Center  
708 South Missouri Street  
Macon, MO 63552 USA

**To contact us, please write to, call, or email:**

Consumer Relations Department  
PO Box 7366  
Columbia MO 65205-7366 USA  
1-800-233-9054  
E-mail:  
consumer\_relations@toastmaster.com

**What Is Not Covered:** This warranty does not cover damage resulting from misuse, accident, commercial use, improper service or any other damage caused by anything other than defects in material or workmanship during ordinary consumer use. This warranty is invalid if the serial number has been altered or removed from the product. This warranty is valid only in the United States and Canada.

**LIMITATION ON DAMAGES:** THERE SHALL BE NO LIABILITY FOR ANY INCIDENTAL OR CONSEQUENTIAL DAMAGES FOR BREACH OF ANY EXPRESS OR IMPLIED WARRANTY OR CONDITION ON THIS PRODUCT.

**DURATION OF IMPLIED WARRANTIES:** EXCEPT TO THE EXTENT PROHIBITED BY APPLICABLE LAW, ALL IMPLIED WARRANTIES AND CONDITIONS, INCLUDING, WITHOUT LIMITATION, IMPLIED WARRANTIES AND CONDITIONS OF MERCHANTABILITY AND FITNESS FOR A PARTICULAR PURPOSE OR USE ON THIS PRODUCT ARE LIMITED IN DURATION TO THE DURATION OF THIS WARRANTY.

Some jurisdictions do not allow the exclusion or limitation of incidental or consequential damages, or allow limitations on how long an implied warranty lasts, so the above limitations or exclusions may not apply to you. This warranty gives you specific legal rights and you may have other rights under the laws of your jurisdiction.

For more information on our products, visit our website: [www.maxim-toastmaster.com](http://www.maxim-toastmaster.com).

**KEEP DATED SALES RECEIPT FOR WARRANTY SERVICE.**

Keep this booklet. Record the following for reference:

Date purchased \_\_\_\_\_

Model number \_\_\_\_\_

Date code (stamped on bottom) \_\_\_\_\_

**EVERYBODY EATS. It's a fact of life.**

**But sometimes preparing  
meals can become a chore.**

**That's why TOASTMASTER has been invited  
into millions of kitchens just like yours  
so we can HELP YOU MASTER your  
mixing, baking, grilling, toasting,  
brewing, heating and serving  
tasks WITH EASE AND STYLE.**

**The TOASTMASTER name stands for a  
CELEBRATION of INNOVATION designed  
to serve your life and keep you  
COOKIN' IN STYLE.**

## Free Manuals Download Website

<http://myh66.com>

<http://usermanuals.us>

<http://www.somanuals.com>

<http://www.4manuals.cc>

<http://www.manual-lib.com>

<http://www.404manual.com>

<http://www.luxmanual.com>

<http://aubethermostatmanual.com>

Golf course search by state

<http://golfingnear.com>

Email search by domain

<http://emailbydomain.com>

Auto manuals search

<http://auto.somanuals.com>

TV manuals search

<http://tv.somanuals.com>