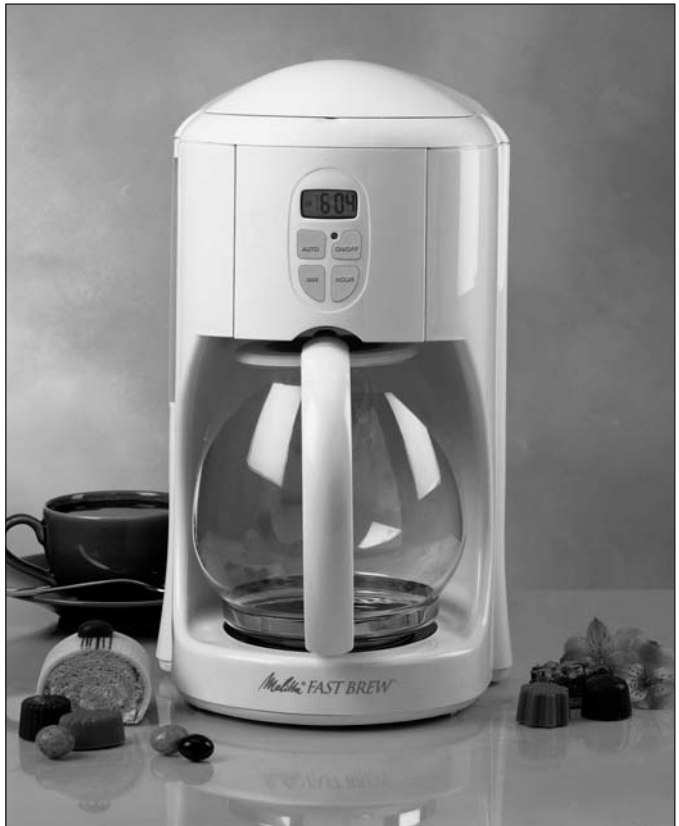


READ AND SAVE THESE INSTRUCTIONS

WARNING: A risk of fire and electrical shock exists in all electrical appliances and may cause personal injury or death. Please follow all safety instructions.

FAST BREW™ 12-Cup Digital Coffeemaker

**USE AND CARE GUIDE FOR
MODELS MEFB2B, MEFB2W**



IMPORTANT SAFEGUARDS

When using electrical appliances, basic safety precautions should always be followed to reduce the risk of fire, electric shock and injury to persons, including the following:

- Read all instructions before using appliance.
- Do not touch hot surfaces. Use handle.
- Do not immerse cord, plug or coffeemaker unit in water or other liquid. See instructions for cleaning.
- This appliance is not for use by children.
- Close supervision is necessary when any appliance is used near children.
- Unplug from outlet when not in use. Unplug and allow to cool before attaching or removing parts and before cleaning the appliance.
- To disconnect, press ON/OFF button to turn unit OFF, then remove plug from wall outlet.
- Do not let cord hang over edge of table or counter or touch hot surfaces.
- Do not place on or near a hot gas or electric burner or in a heated oven.
- Only use appliance as indicated in these instructions.
- Carafe must never be used on a range top. Use only the designated carafe for your coffeemaker.
- Do not set a hot carafe on a wet or cold surface.
- Do not use a cracked carafe or a carafe having a loose or weakened handle.
- Do not clean carafe with abrasive cleaners, steel wool pads or other abrasive material.
- Scalding may occur if the lid is opened during the brewing cycles.
- Allow filter basket to cool before removing it from coffeemaker.
- Do not pour liquid other than water and the cleaning solution specified in this manual into the water. See instructions for cleaning.
- Do not move entire unit when carafe contains hot liquid.
- Do not operate any damaged appliance. Do not operate with a damaged cord or plug, or after the appliance malfunctions or has been dropped or damaged in any manner. Return appliance to the nearest authorized service center for examination, repair, electrical or mechanical adjustment.

- Use attachments only if recommended by the manufacturer.
- Be certain lids are securely in place before operating appliance.
- Do not use outdoors or while standing in a damp area.
- Coffeemaker must be left to cool down for approximately 10 minutes before adding more water.
- **WARNING:** Do not remove bottom cover. No user serviceable parts inside. Repair must be done by authorized service personnel only.

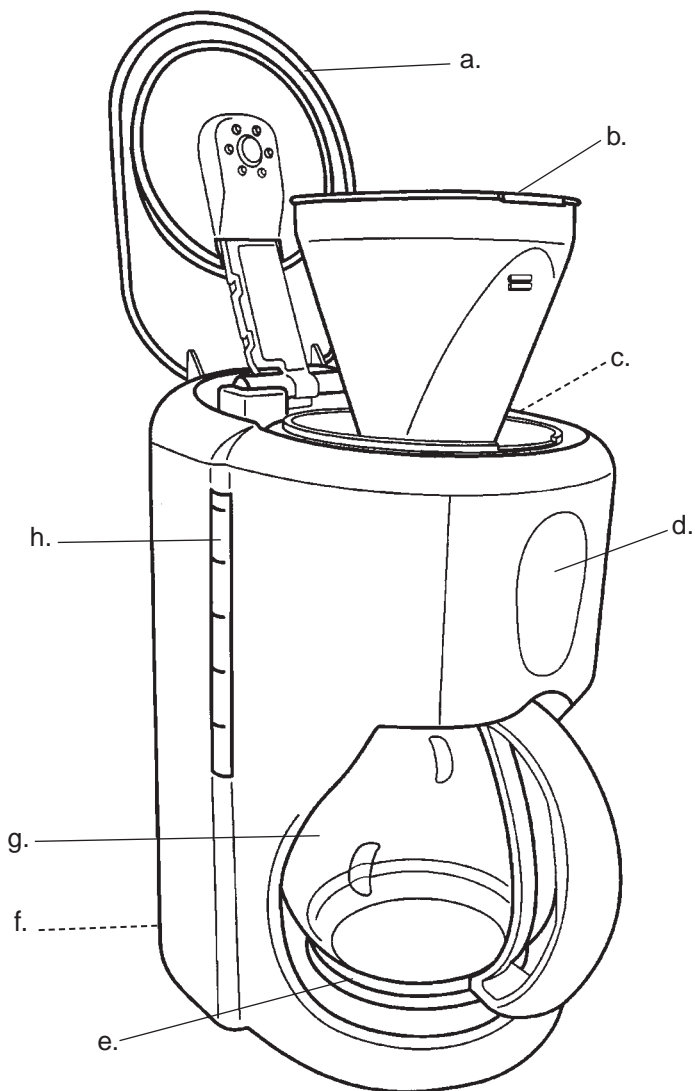
SAVE THESE INSTRUCTIONS

CAUTION: A short power supply cord is provided to reduce the risk of personal injury resulting from becoming entangled in or tripping over a longer cord. Extension cords are available from local hardware stores and may be used if care is exercised in their use. If an extension cord is required, special care and caution is necessary. Also the cord must be: (1) marked with an electrical rating of 125 V., and at least 13 A., 1625 W., and (2) the cord must be arranged so that it will not drape over the countertop or tabletop where it can be pulled on by children or tripped over accidentally.

POLARIZED PLUG: This appliance has a polarized plug, (one blade is wider than the other). As a safety feature to reduce the risk of electrical shock, this plug is intended to fit in a polarized outlet only one way. If the plug does not fit fully in the outlet, reverse the plug. If it still does not fit, contact a qualified electrician. Do not attempt to defeat this safety feature.

ELECTRIC POWER: If the electric circuit is overloaded with other appliances, your appliance may not operate properly. It should be operated on a separate electrical circuit from other appliances.

This product is for household use only.



a. Lid

MEFB2(W) # 30735

MEFB2(B) # 30736

b. Filter Basket

MEFB2(W) # 30731

MEFB2(B) # 30732

c. Water Chamber

d. Control Panel

e. Warming Plate

f. Cord Storage

g. Carafe with Lid

MEFB2(W) # 30733

MEFB2(B) # 30734

h. Water Level Window

Your product may vary slightly from illustration.

Before Using Your Coffeemaker

CAUTION: PRESS OFF BUTTON. INDICATOR LIGHT WILL BE OFF. UNPLUG FROM OUTLET.

Become familiar with parts of the unit.

Clean the carafe, carafe lid and removable filter basket. Fill the coffeemaker with the maximum amount of water and turn the unit on. Follow procedures for Brewing – Immediate Start (without coffee). Unplug coffeemaker and discard the water. Wait 10 minutes to allow heating elements to cool. Repeat the process once.

CAUTION: DO NOT IMMERSE CORD, PLUG, OR COFFEEMAKER UNIT IN WATER OR OTHER LIQUID.

Coffee Yield

A 5-ounce cup is the American industry standard and is used by most coffeemaker manufacturers. Your favorite mug will accommodate about 2 cups (or 10 oz.) of coffee. We do not recommend preparing less than 4 cups (or 20 oz.) of coffee.

Setting The Clock

1. Plug coffeemaker into a 120V ~ 60 Hz outlet. Display will show 12:00, [] will be flashing.
2. Press and hold the AUTO button.
3. Press the HOUR button once to advance the clock one hour or press and hold the HOUR button for 2 seconds to advance by hour increments. During the setting, the AM/PM on the display will change automatically.
4. Press the MIN button following the same procedure to set the minutes.
5. Release the AUTO button. Flashing of the [] indicates the time is set.

Brewing - Immediate Start

1. Push excess cord into cord storage in base of unit.
2. Make sure the unit is in the OFF position; the indicator light will be off.
3. Markings on the water level window indicate the level of water required to brew the desired number of cups. Remove the snap-on lid by gently pulling up. Fill the carafe with cold tap water. Snap the lid back into position.

NOTE: Brewing less than 4 cups is not recommended.

4. Lift up the hinged lid on the top of the unit and slowly pour water into the water chamber opening behind the filter basket.
5. Insert a #4 cone paper filter into removable filter basket and add coffee grounds. Use approximately 1 measuring spoon of grounds for every cup of coffee. Close lid.
6. Make sure that the carafe with lid is properly seated on the warming plate. Press the ON/OFF button twice. The indicator light will turn on. (You do not have to set the clock before making coffee, just press ON.)
7. If you wish to serve a cup of coffee before brew cycle is complete, simply remove carafe from warming plate. Dripping will automatically cease. Return carafe to position on warming plate within 30 seconds; dripping will resume. If the carafe is not returned to the warming plate, the coffee may overflow from the filter basket.

NOTE: To keep coffee hot, return carafe to the warming plate after serving. The warming plate will automatically keep ideal serving temperature as long as the coffeemaker is on. Do not let empty carafe remain on heated warming plate.

8. Press the ON/OFF button again to turn the unit OFF when not in use. When the brewing cycle is over, the coffemaker will automatically shut off after two hours. The indicator light will go off.
9. Unplug and allow to cool for 10 minutes between cycles.

Brewing - Programming Delay Timer

1. Follow steps 1 – 5 in Brewing – Immediate Start.
2. Be sure clock is set for current time.
3. Make sure that the carafe with lid is properly seated on the warming plate.
4. Press the AUTO button once and release. The display will show 12 : 00.
5. Set the desired program start time by using the HOUR and MIN button as previously described in Setting The Clock.
6. During the setting, the AM/PM on the display will change automatically.
7. Press the AUTO button again to complete the programmed start time setting.
8. After setting, press the AUTO button once to display the programmed start time. Press the AUTO button again to return to actual time.
9. Press the ON/OFF button once. The display will show PRO in the top left of the display. The coffeemaker is now in the programmed delayed mode.
10. If you wish to serve a cup of coffee during the brew cycle, simply remove carafe from warming plate. Dripping will automatically cease. Return carafe to position on warming plate within 30 seconds; dripping will resume. If the carafe is not returned to the warming plate, the coffee may overflow from the filter basket.

NOTE: To keep coffee hot, return carafe to the warming plate after serving. The warming plate will automatically keep ideal serving temperature as long as the coffeemaker is on. Do not let empty carafe remain on heated warming plate.

11. Press the power button to turn the unit OFF when not in use. When the brewing cycle is over, the coffeemaker will automatically shut off after two hours. The indicator light will go off.
12. Unplug and allow to cool for 10 minutes between cycles.
NOTE: The program must be reset after each programmed use.

Helpful Hints for Brewing

- The markings on the water window reflect the quantity of fresh water to be used. The quantity of brewed coffee is less because the coffee grounds absorb water.
- Never use hot or carbonated water. This will damage the appliance.
- Never pour milk, liquid coffee, tea, or other liquid, except water, into the water chamber.

Care and Cleaning

1. Turn coffeemaker OFF. The indicator light will be off.
2. Unplug and allow to cool completely before cleaning.
3. Open hinged lid on top of unit and remove filter basket. Discard coffee grounds and paper filter. Wash and dry all removable parts. Replace basket by fitting notch in groove of unit.
4. Clean inside of lid and the outside of the coffeemaker with a damp cloth.

CAUTION: DO NOT IMMERSER CORD, PLUG OR COFFEE-MAKER UNIT IN WATER OR OTHER LIQUID.

Descaling

We recommend you clean your coffeemaker once a month with a solution of vinegar and water. Mineral deposits from tap water can form a coating in the coffeemaker, causing slower brewing time and possibly an off flavor in the coffee.

1. Pour $\frac{1}{2}$ cup vinegar into the carafe, and add cold water up to the 4 cup mark. Pour into the water reservoir.
2. Place a clean paper filter in the filter basket and close.

3. Follow brewing instructions (without coffee.)
4. When the unit has finished brewing, turn coffeemaker OFF. Carefully remove the carafe and place on a heat resistant surface. Wait 15 minutes and pour the solution back into the coffee maker.
5. Turn unit ON again. Allow solution to empty into carafe; turn unit OFF. After dripping stops, discard solution.
6. Allow coffeemaker to cool 10 minutes. Rinse it out by brewing a carafe full of cold water (without coffee). Repeat process and discard filter.
7. Wash and dry all removable parts.
8. When coffeemaker has cooled, wipe exterior with a damp cloth.

Any servicing requiring disassembly other than the above cleaning must be performed by an authorized service center.

IMPORTANT NOTICE

*If any parts are missing or defective,
DO NOT return this product.*

Please call our Customer Service Department for assistance.

800-233-9054 Monday - Friday 9:00 am - 5:00 pm CST

Thank You

NOTES

LIMITED ONE-YEAR WARRANTY

Warranty Coverage: This product is warranted to be free from defects in materials or workmanship for a period of one (1) year from the original purchase date. This product warranty is extended only to the original consumer purchaser of the product and is not transferable. For a period of one (1) year from the date of original purchase of the product, our Repair Center will, at its option, either (1) repair the product or (2) replace the product with a reconditioned comparable model. These remedies are the purchaser's exclusive remedies under this warranty.

Warranty Service: To obtain warranty service, you must call our warranty service number at 1-800-233-9054 for return instructions on how to deliver the product, in either the original packaging or packaging affording an equal degree of protection to the Repair Center specified below. You must enclose a copy of your sales receipt or other proof of purchase to demonstrate eligibility for warranty coverage.

To return the appliance, ship to:

ATTN: Repair Center
708 South Missouri Street
Macon, MO 63552 USA

To contact us, please write to, call, or email:

Consumer Relations Department
PO Box 7366
Columbia MO 65205-7366 USA
1-800-233-9054
E-mail:
consumer_relations@toastmaster.com

What Is Not Covered: This warranty does not cover damage resulting from misuse, accident, commercial use, improper service or any other damage caused by anything other than defects in material or workmanship during ordinary consumer use. This warranty is invalid if the serial number has been altered or removed from the product. This warranty is valid only in the United States and Canada.

LIMITATION ON DAMAGES: THERE SHALL BE NO LIABILITY FOR ANY INCIDENTAL OR CONSEQUENTIAL DAMAGES FOR BREACH OF ANY EXPRESS OR IMPLIED WARRANTY OR CONDITION ON THIS PRODUCT.

DURATION OF IMPLIED WARRANTIES: EXCEPT TO THE EXTENT PROHIBITED BY APPLICABLE LAW, ALL IMPLIED WARRANTIES AND CONDITIONS, INCLUDING, WITHOUT LIMITATION, IMPLIED WARRANTIES AND CONDITIONS OF MERCHANTABILITY AND FITNESS FOR A PARTICULAR PURPOSE OR USE ON THIS PRODUCT ARE LIMITED IN DURATION TO THE DURATION OF THIS WARRANTY.

Some jurisdictions do not allow the exclusion or limitation of incidental or consequential damages, or allow limitations on how long an implied warranty lasts, so the above limitations or exclusions may not apply to you. This warranty gives you specific legal rights and you may have other rights under the laws of your jurisdiction.

For more information on our products, visit our website: www.maxim-toastmaster.com.

Free Manuals Download Website

<http://myh66.com>

<http://usermanuals.us>

<http://www.somanuals.com>

<http://www.4manuals.cc>

<http://www.manual-lib.com>

<http://www.404manual.com>

<http://www.luxmanual.com>

<http://aubethermostatmanual.com>

Golf course search by state

<http://golfingnear.com>

Email search by domain

<http://emailbydomain.com>

Auto manuals search

<http://auto.somanuals.com>

TV manuals search

<http://tv.somanuals.com>