

READ AND SAVE THESE INSTRUCTIONS

12-30 Cup Coffee Urn

**USE AND CARE GUIDE FOR
MODEL MEU30CAN**



IMPORTANT SAFEGUARDS

When using electrical appliances, basic safety precautions should always be followed, including the following:

- Read all instructions.
- Do not touch hot surfaces. Use handles or knobs.
- To protect against electric shock, do not place cord, plugs, or appliance in water or other liquid.
- Close supervision is necessary when any appliance is used by or near children.
- Unplug from outlet when not in use and before cleaning. Allow to cool before putting on or taking off parts, and before cleaning the appliance.
- Do not operate any appliance with a damaged cord or plug or after the appliance malfunctions, or has been damaged in any manner. Contact Consumer Service for examination, repair or adjustment.
- The use of an accessory not evaluated for use with this appliance may cause injuries.
- Do not use outdoors.
- Do not let cord hang over edge of table or counter, or touch hot surfaces.
- Do not place on or near a hot gas or electric burner, or in a heated oven.
- To disconnect, remove plug from wall outlet.
- Do not use appliance for other than intended use.
- Be certain Lids are securely in place before operating appliance.
- Scalding may occur if the Lid is removed during the brewing cycles.

SAVE THESE INSTRUCTIONS

THIS PRODUCT IS FOR HOUSEHOLD USE ONLY

ADDITIONAL IMPORTANT SAFEGUARDS

WARNING: This appliance generates heat and escaping steam during use. Proper precautions must be taken to prevent the risk of burns, fires, or other injury to persons or damage to property.

- All users of this appliance must read and understand this Owner's Manual before operating or cleaning this appliance.
- The cord to this appliance should be plugged into a 120V AC electrical outlet only.
- Use **water only** in this appliance! Do not put any other liquids or food products in this appliance. Do not mix or add anything to the water placed in this appliance, except as instructed in the User Maintenance Instructions to clean the appliance.
- DO NOT attempt to move an appliance containing hot liquids. Allow appliance to cool completely before moving.
- Keep appliance at least 4 inches away from walls or other objects during operation. Do not place any objects on top of appliance while it is operating. Place the appliance on a surface that is resistant to heat.
- If this appliance begins to malfunction during use, immediately unplug the cord. Do not use or attempt to repair the malfunctioning appliance.
- If this appliance falls or accidentally becomes immersed in water or any other liquid, unplug it immediately. **Do not reach into the water! Do not use this appliance after it has fallen into or has become immersed in water.** Contact Consumer Service for examination and repair.
- Do not leave this appliance unattended during use.
- The appliance must be left to cool down sufficiently before adding more water to avoid splattering.
- Always use fresh, cool water in your appliance. Warm water or other liquids, except as listed in cleaning section, may cause damage to the appliance.

POLARIZED PLUG: This appliance has a polarized plug, (one blade is wider than the other). To reduce the risk of electric shock, this plug is intended to fit into a polarized outlet only one way. If the plug does not fit fully in the outlet, reverse the plug. If it still does not fit, contact a qualified electrician. Do not attempt to modify the plug in any way.

SHORT CORD INSTRUCTIONS: A short power supply cord is provided to reduce the risk resulting from becoming entangled in or tripping over a longer cord.

Do not use an extension cord with this product.

ELECTRIC POWER: If the electric circuit is overloaded with other appliances, your appliance may not operate properly. It should be operated on a separate electrical circuit from other appliances.

WARNING: TO REDUCE THE RISK OF FIRE OR ELECTRIC SHOCK, DO NOT REMOVE THE BOTTOM COVER. NO USER-SERVICEABLE PARTS INSIDE. REPAIR SHOULD BE DONE BY AUTHORIZED SERVICE PERSONNEL ONLY.

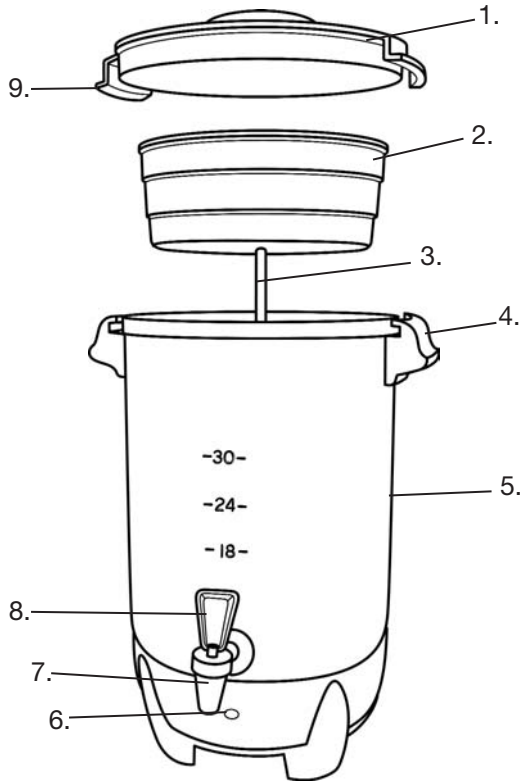
PLASTICIZER WARNING

CAUTION: To prevent Plasticizers from migrating from the finish of the countertop or tabletop or other furniture, place NON-PLASTIC coasters or placemats between the appliance and the finish of the countertop or tabletop.

Failure to do so may cause the finish to darken, permanent blemishes may occur or stains can appear.

Your product may vary slightly from illustrations.

Parts Identification



- | | |
|-------------------------------|-------------------|
| 1. Lid (P/N 30868TM) | 6. Power ON Light |
| 2. Basket (P/N 30869TM) | 7. Spigot |
| 3. Pump Tube
(P/N 30870TM) | 8. Spigot Lever |
| 4. Handles | 9. Locking Tabs |
| 5. Body | |

Using Your Coffee Urn

1. Wash the Coffee Urn thoroughly before using for the first time. (See the “Care and Cleaning Instructions” section in this USE AND CARE GUIDE.)
2. Remove Lid, Pump Tube, and Basket. Check to see that Spigot is closed. Use cold, fresh tap water to fill Coffee Urn. **DO NOT OVERFILL OR UNDERFILL.** Fill according to markings on inside of Urn for number of cups desired. Use cold tap water as the automatic brewing cycle is timed to begin with a cold water start. It brews hot rich coffee at a cup-a-minute speed, and automatically keeps it hot and fresh tasting.

NOTE: Do not brew less than 12 cups of coffee.

3. Wet Basket to help keep small particles of coffee from sifting through. Add desired amount of regular or percolator grind coffee to Basket. (Do not use drip or finely ground coffee.)

The following chart suggests amount of coffee to use for medium brew; amounts can be varied to suit personal taste and particular coffees.

CUPS TO BE BREWED	AMOUNT OF GROUND COFFEE TO USE*
12	1 cup
18	1½ cups
24	2 cups
30	2½ cups

1 cup brewed coffee = 5 fluid ounces

*Use standard measuring cups

4. Place the Basket on the Pump Tube. Then, by holding the top end of the Basket to secure the Pump Tube, place it into the Coffee Urn. Make sure the bottom of the Pump Tube is properly resting in the percolator well in the center.
5. Add the Lid and secure in position by turning Lid clockwise until Locking Tabs fit into Handle Slots.
6. Plug into 120V AC wall outlet. The Power ON Light will illuminate. To avoid unnecessary strain on the heating mechanism, **PLUG IN COFFEE URN AFTER THE WATER AND COFFEE ARE ADDED AND THE LID IS SECURELY IN PLACE. NEVER PLUG IN COFFEE URN WITHOUT WATER INSIDE.**
7. When coffee brewing is complete, percolating will stop. The Urn will automatically switch to “keep warm” to preserve fresh-tasting coffee at hot, ready-to-serve temperature.

For best flavor, carefully remove Coffee Basket and Pump Tube when brewing is completed.

WARNING: REMOVE PARTS CAREFULLY: COFFEE URN AND PARTS WILL BE HOT! ALWAYS USE OVEN MITTS OR POT HOLDERS.

8. The 2-way Spigot allows you to pour one cup of coffee at a time by pressing down on the Spigot Lever. For continuous pouring, extend the Spigot Lever up.
9. When finished, unplug and allow to cool, see CARE AND CLEANING INSTRUCTIONS.

NOTES

- To make additional coffee, rinse the inside of the Coffee Urn and parts with cold water and repeat steps 1 through 7.
- To preserve taste, it is not recommended to reheat coffee.

Unplug the Urn when only 1 or 2 cups of coffee remain.

User Maintenance Instructions

This appliance requires little maintenance. It contains no user serviceable parts. Do not try to repair it yourself. Any servicing requiring disassembly must be performed by a qualified appliance repair technician.

Care and Cleaning Instructions

1. After each use and before washing, unplug power cord from wall outlet and allow the unit to cool.
2. Remove Lid and all internal parts carefully - parts, coffee grounds, and remaining coffee may still be hot.
3. Wash the inside of the Coffee Urn and the parts with warm, soapy water. Rinse thoroughly and dry. **DO NOT IMMERSE THE BODY OF THE COFFEE URN IN WATER.** If coffee grounds are trapped in the Pump Tube, hold under running water.
4. Wipe outside with damp cloth and dry with a towel. Remove Urn Lid before storing.
5. After repeated use, there may be some coffee stains and accumulation of oils that may cause a bitter taste. Periodically, use a coffee-stain remover or special cleanser and follow package directions for cleaning. Rinse well after cleaning. Do not use abrasive cleaners or pads on outside, inside or any parts of the Coffee Urn as scratching will occur.

LIMITED ONE-YEAR WARRANTY

Warranty Coverage: This product is warranted to be free from defects in materials or workmanship for a period of one (1) year from the original purchase date. This product warranty is extended only to the original consumer purchaser of the product and is not transferable. For a period of one (1) year from the date of original purchase of the product, our Repair Center will, at its option, either (1) repair the product or (2) replace the product with a reconditioned comparable model. These remedies are the purchaser's exclusive remedies under this warranty.

Warranty Service: To obtain warranty service, you must call our warranty service number at 1-800-233-9054 for return instructions on how to deliver the product, in either the original packaging or packaging affording an equal degree of protection to the Repair Center specified below. You must enclose a copy of your sales receipt or other proof of purchase to demonstrate eligibility for warranty coverage.

To return the appliance, ship to: **To contact us**, please write to, call, or email:

ATTN: Repair Center
708 South Missouri Street
Macon, MO 63552 USA

Consumer Relations Department
PO Box 7366
Columbia MO 65205-7366 USA
1-800-233-9054
E-mail:consumer_relations@toastmaster.com

What Is Not Covered: This warranty does not cover damage resulting from misuse, accident, commercial use, improper service or any other damage caused by anything other than defects in material or workmanship during ordinary consumer use. This warranty is invalid if the serial number has been altered or removed from the product. This warranty is valid only in the United States and Canada.

LIMITATION ON DAMAGES: THERE SHALL BE NO LIABILITY FOR ANY INCIDENTAL OR CONSEQUENTIAL DAMAGES FOR BREACH OF ANY EXPRESS OR IMPLIED WARRANTY OR CONDITION ON THIS PRODUCT.

DURATION OF IMPLIED WARRANTIES: EXCEPT TO THE EXTENT PROHIBITED BY APPLICABLE LAW, ALL IMPLIED WARRANTIES AND CONDITIONS, INCLUDING, WITHOUT LIMITATION, IMPLIED WARRANTIES AND CONDITIONS OF MERCHANTABILITY AND FITNESS FOR A PARTICULAR PURPOSE OR USE ON THIS PRODUCT ARE LIMITED IN DURATION TO THE DURATION OF THIS WARRANTY.

Some jurisdictions do not allow the exclusion or limitation of incidental or consequential damages, or allow limitations on how long an implied warranty lasts, so the above limitations or exclusions may not apply to you. This warranty gives you specific legal rights and you may have other rights under the laws of your jurisdiction.

For more information on our products, visit our website:
www.maxim-toastmaster.com.

©2006 All rights reserved.
Made in China

P/N 61849
3/06

Free Manuals Download Website

<http://myh66.com>

<http://usermanuals.us>

<http://www.somanuals.com>

<http://www.4manuals.cc>

<http://www.manual-lib.com>

<http://www.404manual.com>

<http://www.luxmanual.com>

<http://aubethermostatmanual.com>

Golf course search by state

<http://golfingnear.com>

Email search by domain

<http://emailbydomain.com>

Auto manuals search

<http://auto.somanuals.com>

TV manuals search

<http://tv.somanuals.com>